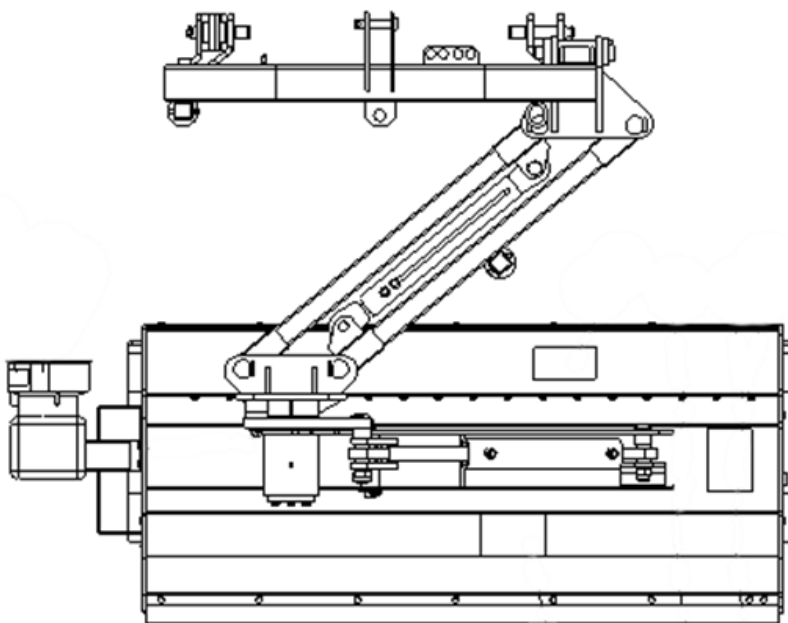


JORD & MARK



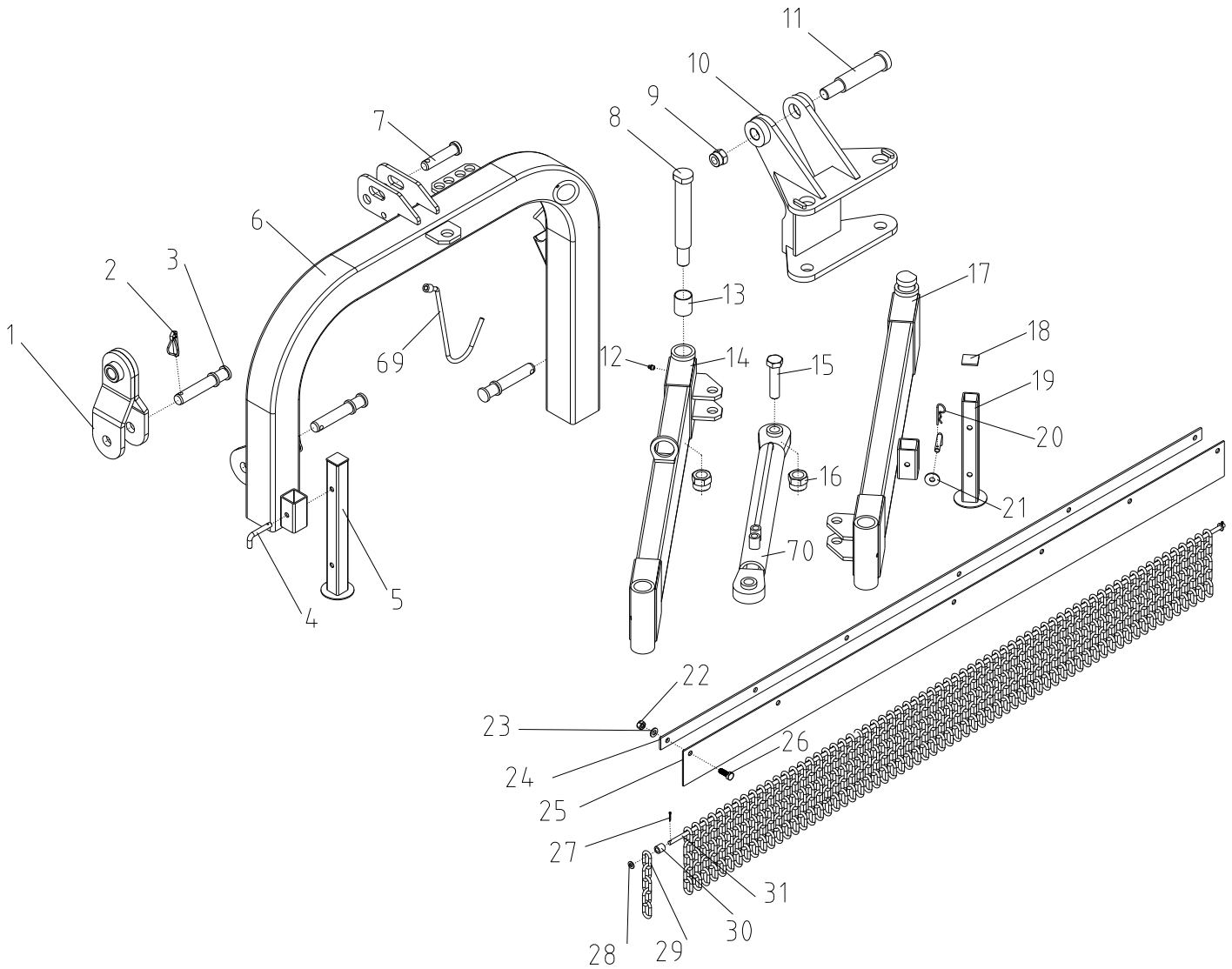
AGFK220 SLAGLEKLIPPER U/SIDEFORSKYDNING

Reservedelskatalog til
220 cm, AGFK 220 - 9063094



05.12.2023 (V2)
opdateret 05.07.2024

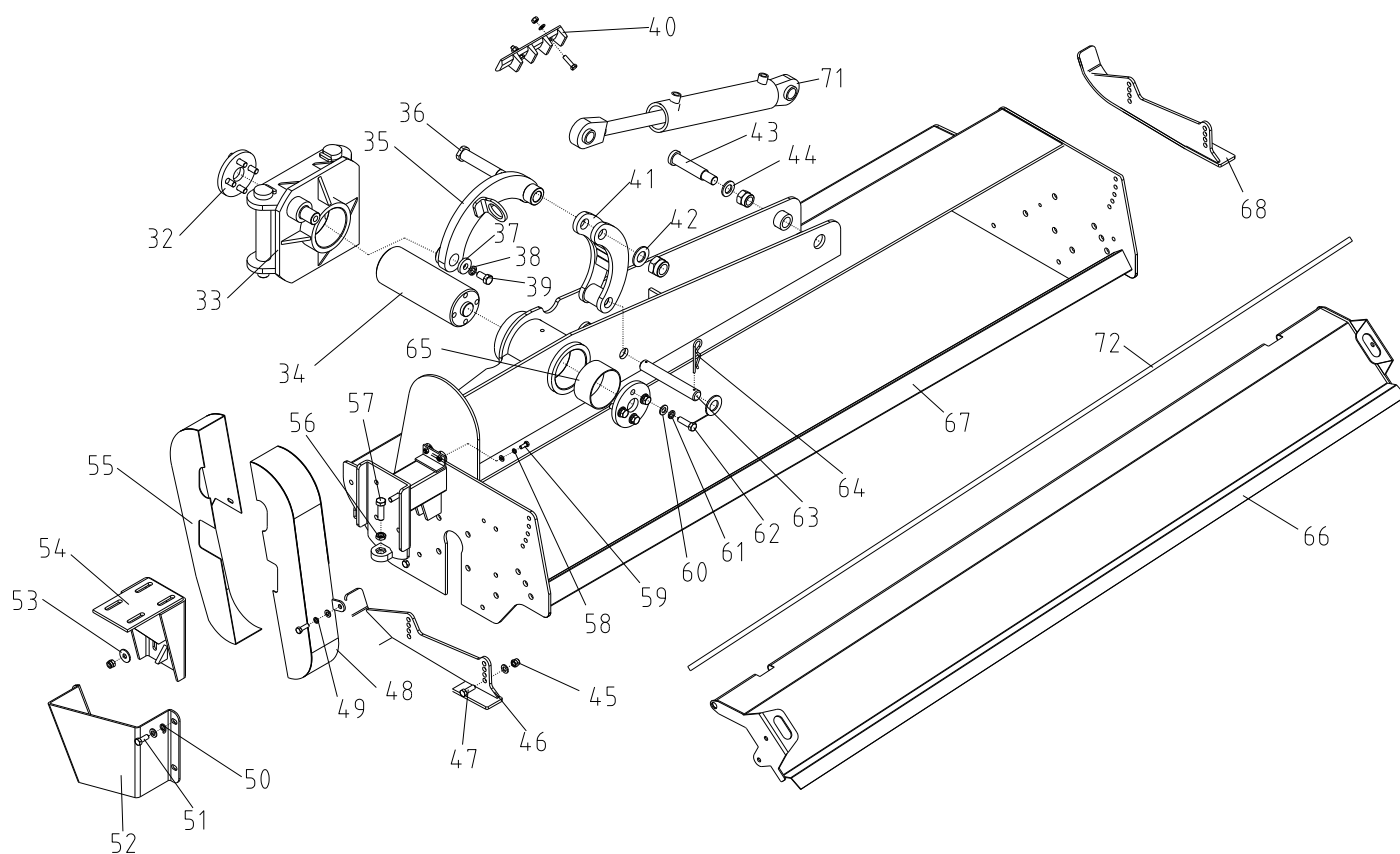
AGFK220
FIGUR 1



AGFK 220 – DELE TIL FIGUR 1

Pos	Varenr / item no	Varenavn	Item name	OE	stk/qty
1	9053451	Vippebeslag	SMALL HANGING WELDMENT	AGF140.031	1
2	9038518	Ringsplit	LOCKING PIN 12	-	3
3	N/A	Løftepin	PIN FOR LIFTING	AGF140.210	3
4	N/A	Lås	BENT PIN	1G135.00.107	2
5	N/A	Støtteben	SUPPORTING FRAME	AGF220.011	1
6	9056522	U-bøjle/3-pkt. ophæng	HANGING WELDMENT	AGF220.016	1
7	9063498	Topstangsbolt	PIN SHAFT	-	1
8	9044184	Hovedbolt 262xM30x2	PIN (L)	AGF140.101	4
9	9044186	Låsemøtrik, M30x2	LOCKING NUT M30X2	GB/T889.1-2000 M30X2	6
10	N/A	Beslag	SWAY SEAT	AGF140.017	1
11	9056524	Stift / pin (kort)	PIN (S)	AGF140.106	1
12	N/A	Fedtnippel, M10x1	OIL CUP M10X1	JB/T7940.1-95 M10X1	7
13	9045008	Bøsning, 40x44x50	BUSHING 40X44X50	SF-2/40X44X50	8
14	N/A	Parallelarm	FRONT SWINGING ARM	AG220.018	1
15	N/A	Bolt, M24x100	BOLT M24X100	GB/T5782-2000 M24X100	2
16	N/A	Låsemøtrik M24	LOCKING NUT M24	GB/T889.1-2000 M24	3
17	N/A	Parallelarm	REAR SWINGING ARM	AGF220.019	1
18	N/A	Prop	COVER (B)	AGF140.108	2
19	N/A	Støtteben	SUPPORTING FRAME	AGF220.011	1
20	9020537	Hårnålesplit	R PIN 3.2	-	2
21	9050204	Planskive 12 mm	PLAIN WASHER 12	-	10
22	9050215	Låsemøtrik M10	LOCKING NUT M10	-	40
23	9050203	Planskive 10 mm	PLAIN WASHER 10	-	42
24	N/A	Holder for gummiplade	PRESS PLATE	AGF220.109	2
25	9056526	Gummiliste, 220 cm	RUBBER PLATE	AGF220.110	1
26	9050241	Bolt M10x30	BOLT M10X30	-	42
27	N/A	Splitpin 2x25	SPLITPIN3.2X25	GB/T91-2000 2X25	2
28	9050202	Planskive 8 mm	PLAIN WASHER 8	-	4
29	9049897	Kædestump (5 led)	LINK	-	92
30	9046948	Afstandsstykke	SLEEVE	AGF140.111	93
31	9056527	Stang f/kæde, 220cm	SHAFT FOR LINK	AGF220.101	1
69	9068215	Krog	HOOK	EFGC125.124	1
70	9060692	Cylinder f/parallelarm	CYLINDER PARALLER	AGF220.021	1

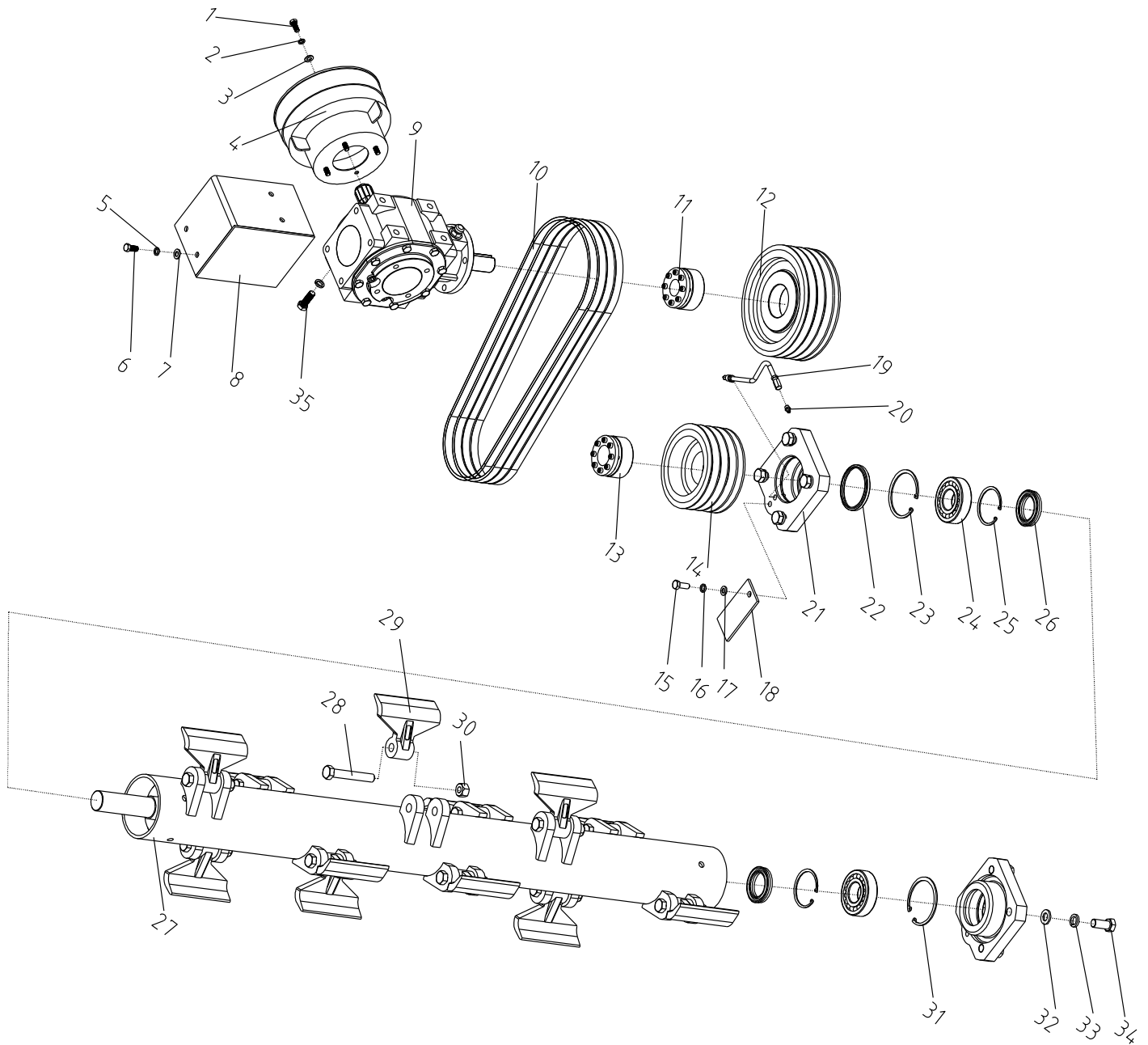
AGFK 220
FIGUR 2



AGFK 220 – DELE TIL FIGUR 2

Pos	Varenr / item no	Varenavn	Item name	OE	stk/qty
32	9043108	Stopdæksel f/kongetap	COVER	AGF140.105	2
33	9056528	Aksel, roterende	ROTATING SHAFT	AGF220.025	1
34	9057721	Kongetap	SHAFT	AGF220.105	1
35	9056529	Vippebeslag	THE MOON PLATE	AGF220.027	1
36	9056530	Topstift / pin	TOP PIN	AGF220.106	1
37	9056531	Skive, kraftig	THICK WASHER	AGF220.104	1
38	N/A	Fjederskive 16 mm	SPRING WASHER 16	GB/T93-2002 16	1
39	9050258	Bolt, M16x30	BOLT M16X30	-	1
40	9056532	Plade, jern	CAST PLATE	AGF140.204	11
41	9056533	Vippebeslag, dobbelt	PUSH PEDAL	AGF220.037	1
42	N/A	Planskive 30 mm	PLAIN WASHER 30	GB/T97.1-2002 30	3
43	9056534	Stift / pin (bund)	BOTTOM PIN	AGF220.103	1
44	N/A	Planskive 24 mm	PLAIN WASHER 24	GB/T97.1-2002 24	3
45	9050216	Låsemøtrik M12	LOCKING NUT M12	-	8
46	9043084	Slæbesko, venstre	BASE PLATE (L)	AGF140.028	1
47	N/A	Bolt M12x35	BOLT M12X35	GB/T5782-2000 M12X35	7
48	9056535	Remskærm, højre	BELT COVER (R)	AGF140.014A	1
49	N/A	Fjederskive 10 mm	SPRING WASHER 10	GB/T93-2002 10	2
50	N/A	Fjederskive 12 mm	SPRING WASHER 12	GB/T93-2002 12	4
51	9050250	Bolt M12x30	BOLT M12X30	-	4
52	9056536	Remskive skærm	BELT PULLEY COVER	AGF220.036A	1
53	9050202	Planskive 8 mm	PLAIN WASHER 8	-	4
54	9056537	Justerbar ramme for gearkasse	ADJUSTING FRAME FOR GEAR BOX	AGF140.026	1
55	9056538	Remskærm, venstre	BELT COVER (L)	AGF140.013A	1
56	9050210	Møtrik M16	NUT M16X1.5	-	1
57	9050260	Bolt M16x50	BOLT M16X1.5X50	-	1
58	N/A	Fjederskive 8 mm	SPRING WASHER 8	GB/T93-2002 8	2
59	9050231	Bolt M8x20	BOLT M8X20	-	2
60	N/A	Planskive 14 mm	PLAIN WASHER 14	GB/T97.1-2002 14	8
61	N/A	Fjederskive 14 mm	SPRING WASHER 14	GB/T93-2002 14	8
62	N/A	Bolt M14x45	BOLT M14X45	GB/T5782-2000 M14X45	8
63	9056539	Aksel	SHAFT	AGF220.107	1
64	N/A	Hårnålesplit	R PIN	WD70.102 5	2
65	9043109	Bøsning, 110x115x60	BUSHING 110X115X60	SF-2 110X115X60	3
66	N/A	Liste	BAFFLE WELDMENT	AGF-K220.1000.200	1
67	N/A	Slaglekasse	THE COVER WELDMENT	AGF220.015	1
68	9043094	Slæbesko, højre	BASE PLATE (R)	AGF140.029	1
71	9060693	Cylinder	CYLINDER ROTATE	AGF220.024	1
72	N/A	Beskyttelsesplade, 220cm	CONNECTING PIPE	KDK220.01.102	1

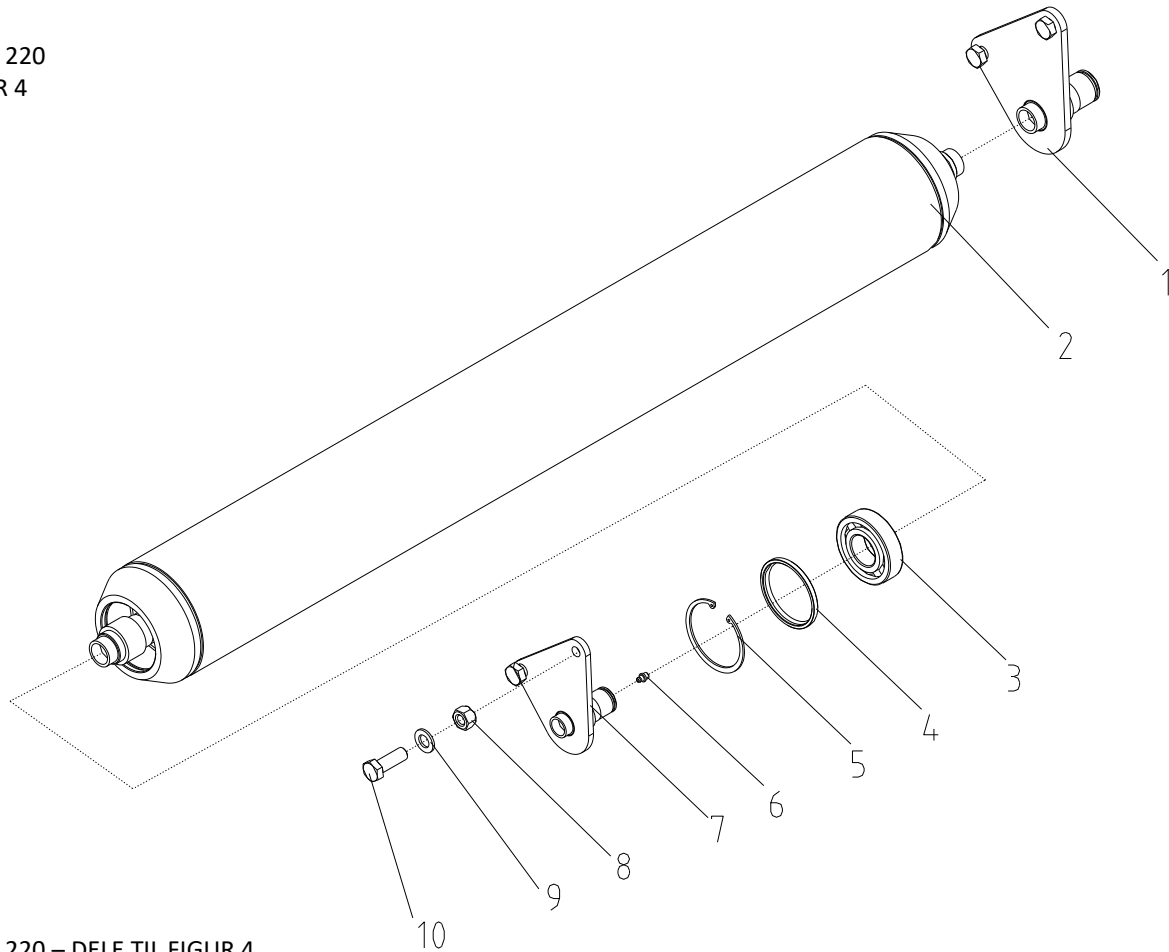
AGFK 220
FIGUR 3



AGFK 220 – DELE TIL FIGUR 3

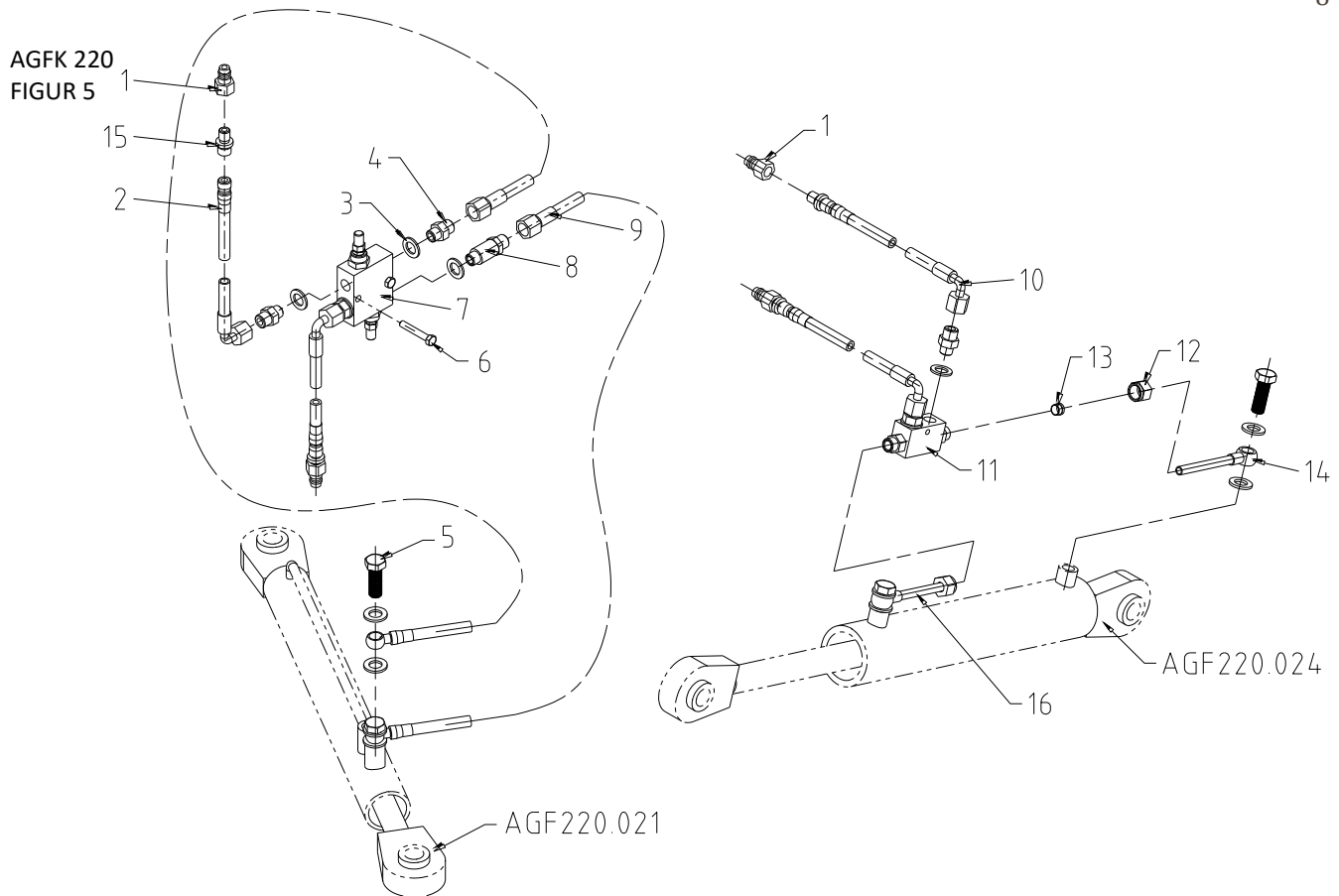
Pos	Varenr / item no	Varenavn	Item name	OE	stk/qty
1	9050231	Bolt M8x20	<i>BOLT M8X20</i>	-	4
2	N/A	Fjederskive 8 mm	<i>SPRING WASHER 8</i>	GB/T93-2002 8	4
3	9050202	Planskive 8 mm	<i>PLAIN WASHER 8</i>	-	4
4	9043079	PTO-skærm	<i>GUARD SHADE</i>	FM150.120	1
5	N/A	Fjederskive 12 mm	<i>SPRING WASHER 12</i>	GB/T93-2002 12	8
6	9050250	Bolt M12x30	<i>BOLT M12X30</i>	-	4
7	9050204	Planskive 12 mm	<i>PLAIN WASHER 12</i>	-	8
8	9057722	Gearkassebeslag / cover	<i>GEAR BOX COVER</i>	AGF140.035	1
9	9056541	Gearkasse, komplet	<i>GEAR BOX ASSEMBLY</i>	TS50.300Z.03	1
10	9052858	Kilerem SPB1393 / B52	<i>STRAP SPB1393</i>	GB/T1154-97 SPB1393	4
11	9043100	Taperlock 33x80	<i>SWELLABLE SLEEVE</i>	JB/T7934Z3 33X80	1
12	9056542	Remskive, stor – 220x80, 4 spor	<i>BIG BELT PULLEY</i>	AGF220.203	1
13	9043095	Taperlock 40x80	<i>SWELLABLE SLEEVE</i>	JB/T7934Z3 40X80	1
14	9056543	Remskive, lille – 4 spor	<i>SMALL BELT PULLEY</i>	AGF220.202	1
15	N/A	Bolt M10x25	<i>BOLT M10X25</i>	GB/T5782-2000 M10X25	1
16	N/A	Fjederskive 10 mm	<i>SPRING WASHER 10</i>	GB/T93-2002 10	1
17	9050203	Planskive 10 mm	<i>PLAIN WASHER 10</i>	-	1
18	N/A	Skærm	<i>FENDER</i>	AGF140.209	1
19	9056544	Smøreslange / -rør	<i>OIL PIPE</i>	AGF140.034	1
20	N/A	Fedtnippel M10x1	<i>OIL CUP</i>	GB/T1152-89 M10X1	2
21	9043093	Lejehus	<i>BEARING SEAT</i>	AGF140.104	2
22	9043085	Pakdåse, 40x90x10	<i>OIL SEAL</i>	GB/T13871-94 40X90X10	1
23	9048902	Låsering indiv. 90	<i>CIRCLIP</i>	GB/T893.1-86 90	2
24	9043092	Kugleleje 1308	<i>BEARING</i>	GB/T281-94 1308	2
25	9048903	Låsering indiv. 80	<i>CIRCLIP</i>	GB/T893.1-86 80	2
26	9043091	Pakdåse, 45x80x10	<i>OIL SEAL</i>	GB/T13871-94 45X80X10	2
27	9056546	Hovedaksel, 220cm, inkl slagler	<i>BLADE AXLE WELDMENT</i>	AGF220.023A	1
28	9043086	Bolt M16x1,5x100	<i>BOLT M16X1.5X100</i>	-	20
29	9043087	Slagle	<i>HOE</i>	AGF140.201	20
30	N/A	Låsemøtrik M16x1,5	<i>LOCKING NUT</i>	GB/T889.1-2000 M16X1,5	20
31	9056547	Låsering 40	<i>CIRCLIP</i>	GB/T894.1-86 40	1
32	9050205	Planskive 16 mm	<i>PLAIN WASHER 16</i>	-	8
33	N/A	Fjederskive 16 mm	<i>SPRING WASHER 16</i>	GB/T93-2002 16	8
34	N/A	Bolt M16x35	<i>BOLT M16X35</i>	-	8
35	N/A	Bolt M12x35	<i>BOLT M12X35</i>	-	4

AGFK 220
FIGUR 4



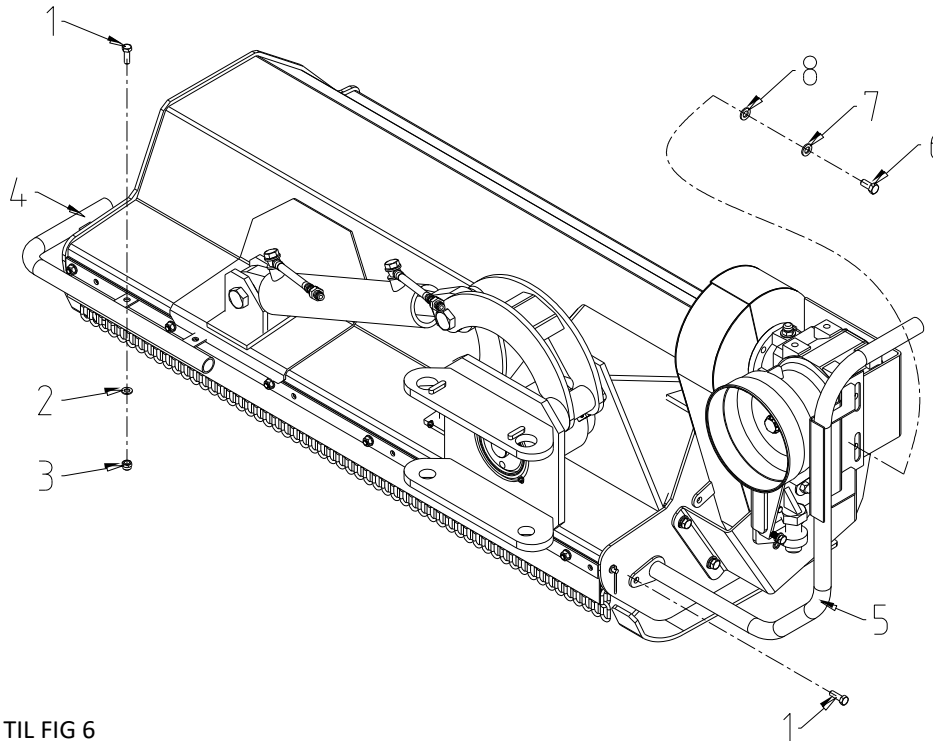
AGFK 220 – DELE TIL FIGUR 4

Pos	Varenr / item no	Varenavn	Item name	OE	stk/qty
1	9043088	Akseltap, højre	SUPPORT FOR ROLLER (R)	AGF140.033	1
2	9056548	Bagrulle, 220cm	ROLLER WELDMENT	AGF220.022	1
3	9038582	Kugleleje, 6302-2RS	BEARING	GB/T276-94	2
4	9043085	Pakdåse, 40x90x10	OIL SEAL 40X90X10	GB13871-94 40X90X10	2
5	9048902	Låsering, indiv. 90	CIRCLIP 90	GB/T893.1-86 90	2
6	N/A	Smørenippel M10x1	OIL CUP	JB/T7940.1-95 M10X1	2
7	9043089	Akseltap, venstre	SUPPORT FOR ROLLER (L)	AGF140.032	1
8	9050217	Låsemøtrik M16	LOCKING NUT M16	-	4
9	9050205	Planskive 16 mm	PLAIN WASHER 16	-	4
10	N/A	Bolt M16x45	BOLT M16X45	GB/T5782-2000 M16X45	4



AGFK 220 – DELE TIL FIGUR 5

Pos	Varenr / item no	Varenavn	Item name	OE	stk/qty
1	9046997	Lynkobling 1/2"	QUICK CONNECTOR R 1/2"	GB/T8606-2000 R1/2"	4
2	9056549	Olieslange / olierør	OIL PIPE	AGF140.041	2
3	9043104	Oliepakning / dowtyskive, 16 mm	SEAL WASHER 16	JB/T 982-1977 16	14
4	9046994	Brystnippel, kort	SHORT ADAPTOR	G3/8-M18x1.5A	5
5	9045082	Banjobolt M16x1,5x45	HOLLOW BOLT M16X1.5	GB/T 3451-83 M16X1,5X45	4
6	9050233	Bolt M8x40	BOLT M8X40	-	2
7	9046993	Chock-ventil	VALVE	DRV-S-L1-015	1
8	9046995	Brystnippel, lang	LONG ADAPTOR	G3/8-M18x1.5A(L=64)	1
9	9056550	Hydraulikslange	OIL PIPE	AGF140.043	2
10	9047024	Hydraulikslange	OIL PIPE	AGF140.044	2
11	9046998	Kontraventil, dobbelt - pilotstyret	VALVE	VRDD015	1
12	9047001	Omløber M18	NUT	AGF140.403	1
13	9047000	Bøsning / skærerering Ø12	BUSHING	AGF140.404	1
14	9068062	Forbindelsesrør	ADAPTOR WELDMENT	AGF140.16Q L=66	1
15	N/A	Brystnippel	ADAPTOR	M18x1.5A-R1/2	4
16	N/A	Hydraulikslange, kort	SHORT OIL PIPE	AGF140.048	1

AGFK 220
FIGUR 6

AGFK 220 - DELE TIL FIG 6

Pos	Varenr / item no	Varenavn	Item name	OE	stk/qty
1	9050241	Bolt M10x30	<i>BOLT M10X30</i>	GB/T5783-2000 M10X30	4
2	9050203	Planskive 10 mm	<i>PLAIN WASHER 10</i>	GB/T97.1-2002 10	7
3	9050215	Låsemøtrik M10	<i>LOCKING NUT M10</i>	GB/T889.1-2000 M10	3
4	9068903	Beskyttelsesbøjle, højre	<i>GUARDRAIL WELDMENT (R)</i>	AGF140.045HL	1
5	9068904	Beskyttelsesbøjle, venstre	<i>GUARDRAIL WELDMENT (L)</i>	AGF140.046HL	1
6	N/A	Bolt M12x25	<i>BOLT M12X25</i>	GB/T5783-2000 M12X25	1
7	N/A	Fjederskive 12 mm	<i>SPRING WASHER 12</i>	GB/T93-87 12	1
8	9050204	Planskive 12 mm	<i>PLAIN WASHER 12</i>	GB/T97.1-2002 12	1

Ekstra dele – ej illustreret

Varenr / item no	Varenavn	Item name	OE	stk/qty
9054037	Slangesæt m/drøveventil	<i>FLOW CONTROL VALVE</i>	-	1
9047378	Låsepal, sæt f/PTO	<i>PTO LOCK</i>	-	2
9055231	Springbolt, M10x70	<i>SAFETY PIN / BOLT</i>	-	1
9047376	PTO-aksel, komplet	<i>PTO-SHAFT, ASSY</i>	-	1
9050799	Beskyttelsesrør, PTO – tap, rund/aflang	<i>OUTER GUARD</i>	T7NS-YS-07-SB*1850	1
9065232	Slangebrudsventil, komplet	<i>VALVE KIT, ASSY</i>	-	1

Vi forbeholder os ret til uden foregående varsel at ændre de tekniske parametre og specifikationer for dette produkt