

JORD & MARK



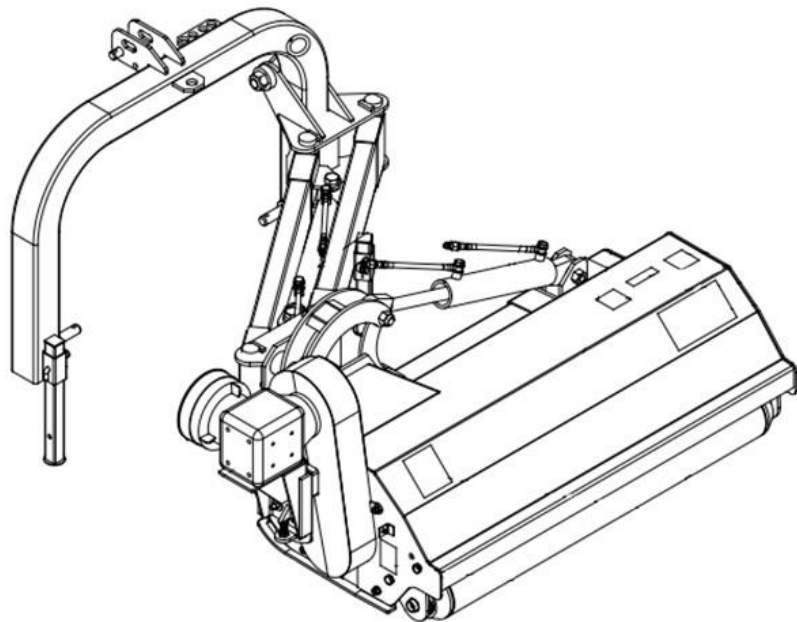
# AGFK SLAGLEKLIPPERE U/SIDEFORSKYDNING - 140, 180

## Reservedelskatalog til

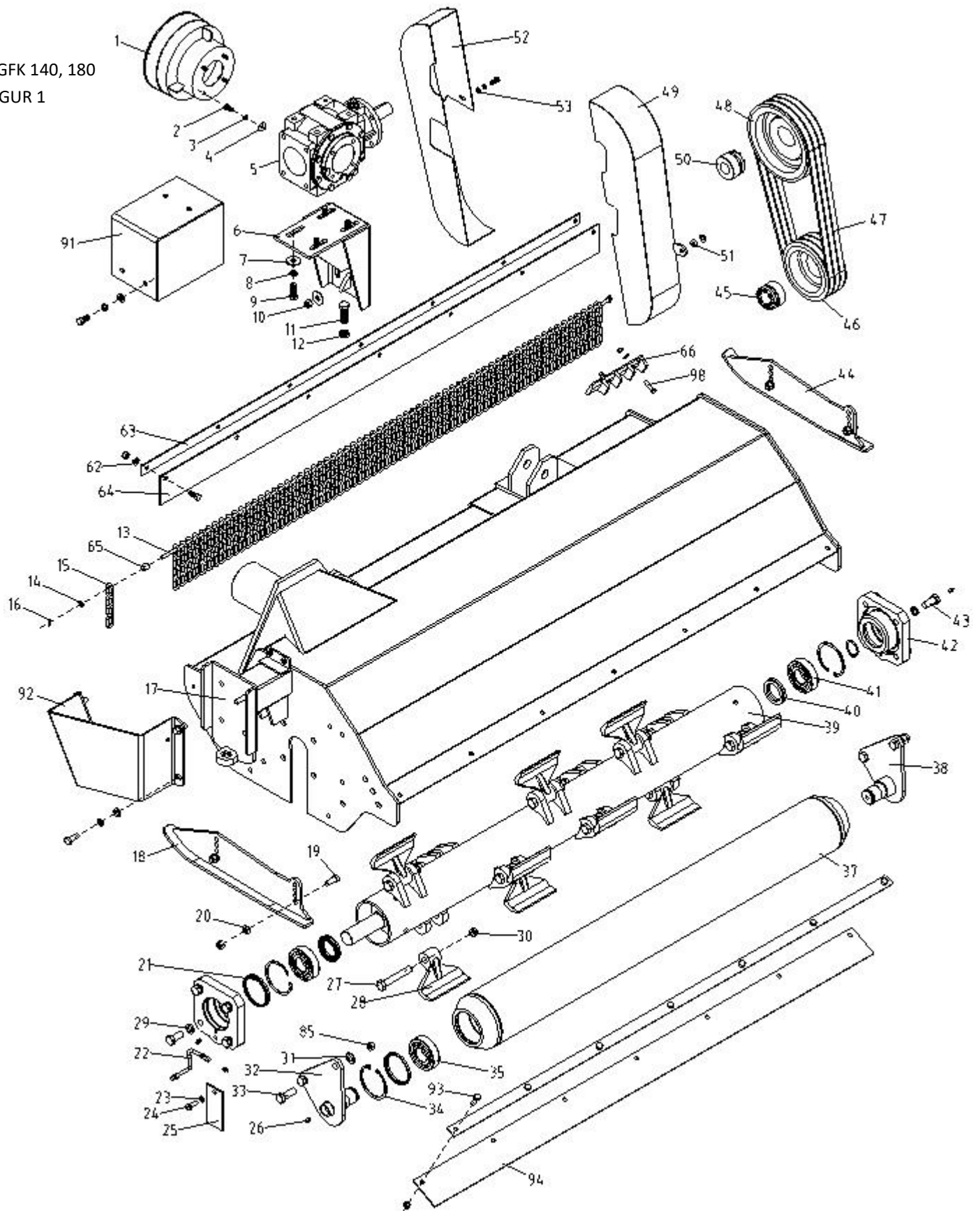
140 cm, AGFK 140 - 9063093

180 cm, AGFK 180 - 9063092

**BEMÆRK:** Medmindre andet er angivet,  
passer delene til begge modeller



AGFK 140, 180  
FIGUR 1

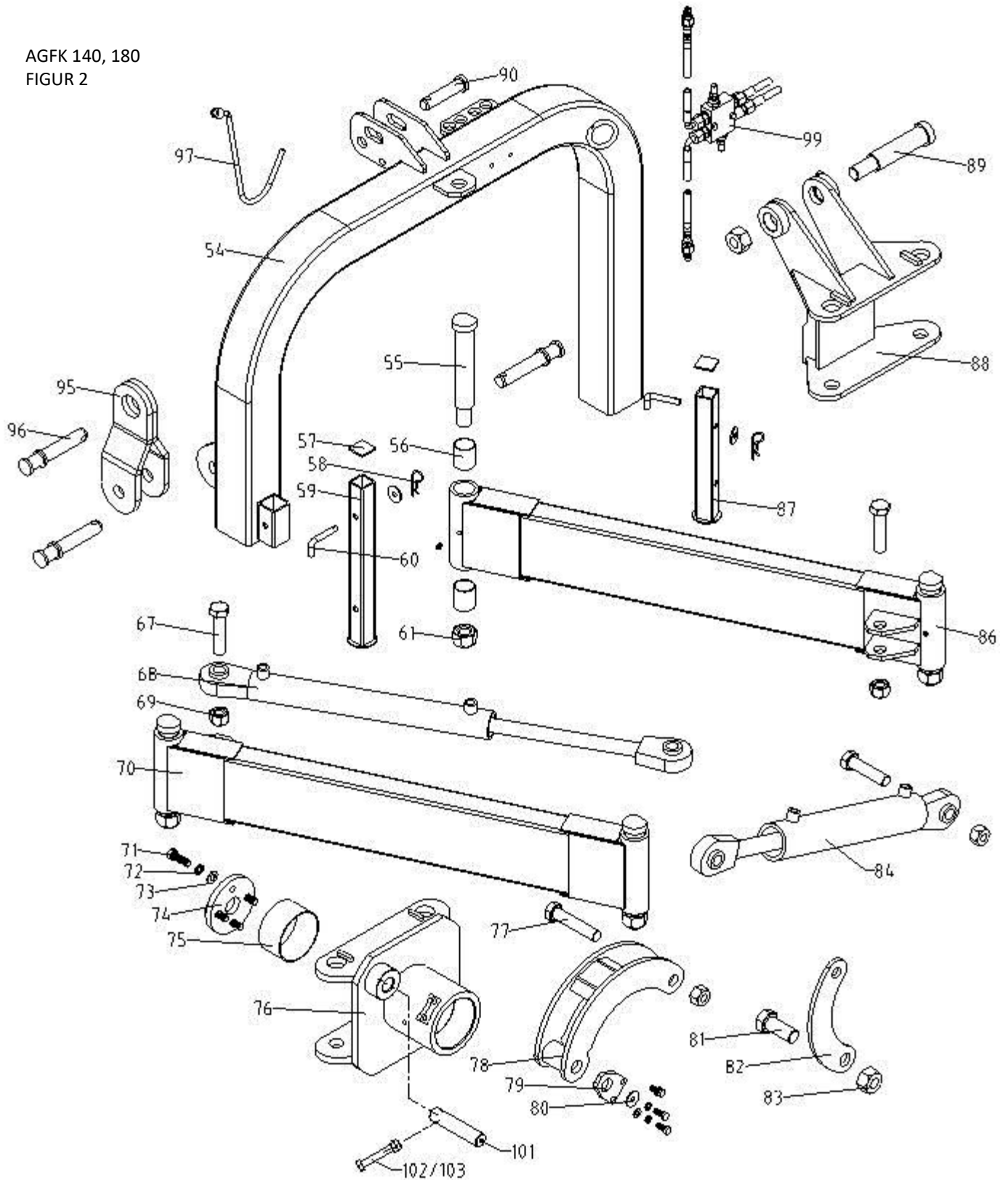


## AGFK 140, 180 – DELE TIL FIGUR 1

| Pos | Varenr / item no | Varenavn                   | Item name                    | OE                       | stk/qty |
|-----|------------------|----------------------------|------------------------------|--------------------------|---------|
| 1   | 9043079          | PTO-skærm t/vinkelgear     | GUARD SHADE                  | FM150.120                | 1       |
| 2   | 9050231          | Bolt M8x20                 | BOLT M8X20                   | -                        | 6       |
| 3   | N/A              | Fjederskive 8mm            | SPRING WASHER 8              | GB/T93-87 8              | 6       |
| 4   | 9050202          | Planskive 8 mm             | BIG PLAIN WASHER 8           | -                        | 4       |
| 5   | 9043080          | Vinkelgear, komplet        | GEAR BOX ASSEMBLY            | 9.311.885.20             | 1       |
| 6   | 9043081          | Beslag f/vinkelgear        | ADJUSTING FRAME FOR GEAR BOX | AGF140.026               | 1       |
| 7   | 9050204          | Planskive 12 mm            | BIG PLAIN WASHER 12          | -                        | 10      |
| 8   | N/A              | Fjederskive 12 mm          | SPRING WASHER 12             | GB/T93-87 12             | 12      |
| 9   | N/A              | Bolt M12x35                | BOLT M12X35                  | GB/T5783-86 M12X35       | 4       |
| 10  | 9050216          | Låsemøtrik M12             | LOCKING NUT M12              | -                        | 8       |
| 11  | N/A              | Bolt M16x1,5x50            | BOLT M16X1.5X50              | GB/T5786-2000 M16X1,5X50 | 1       |
| 12  | 9050949          | Møtrik M16x1,5             | NUT M16X1.5                  | GB/T6173-86 M16X1,5      | 1       |
| 13  | N/A              | Stang f/kæde, 140 cm       | SHAFT FOR CHAIN, 140CM       | AGF140.207               | 1       |
| 13  | N/A              | Stang f/kæde, 180 cm       | SHAFT FOR CHAIN, 180CM       | AGF180.207               | 1       |
| 14  | 9050202          | Planskive 8 mm             | PLAIN WASHER 8               | -                        | 4       |
| 15  | 9049897          | Kædestump (5 led)          | CHAIN                        | -                        | 77      |
| 16  | N/A              | Split 2,5x40               | SPLITPIN 2.5X40              | GB/T91-2000 2,5X40       | 2       |
| 17  | N/A              | Slaglekasse, 140 cm        | THE FRAME WELDMENT, 140CM    | AGF-K140.1000.100A       | 1       |
| 17  | N/A              | Slaglekasse, 180 cm        | THE FRAME WELDMENT, 180CM    | AGF-K180.1000.100A       | 1       |
| 18  | 9043084          | Slæbesko, venstre          | BASE PLATE (L) WELDMENT      | AGF140.028               | 1       |
| 19  | 9050250          | Bolt M12x30                | BOLT M12X30                  | -                        | 12      |
| 20  | 9050204          | Planskive 12 mm            | PLAIN WASHER 12              | -                        | 12      |
| 21  | 9043085          | Pakdåse f/lejehus 40x90x10 | OIL SEAL 40X90X10            | GB/T13871-94 40X90X10    | 3       |
| 22  | 9044656          | Fedtslange f/lejehus M10x1 | OIL PIPE                     | AGF140.034               | 1       |
| 23  | N/A              | Fjederskive 10 mm          | SPRING WASHER 10             | GB/T93-87 10             | 4       |
| 24  | N/A              | Bolt M10x25                | BOLT M10X25                  | GB/T5783-86 M10X25       | 14      |
| 25  | N/A              | Skærm                      | FENDER                       | AGF140.209               | 1       |
| 26  | 9071539          | Smørenippel M10x1          | OIL CUP M10X1                | GB/T1152-89 M10X1        | 9       |
| 27  | 9043086          | Bolt M16x1,5x100           | BOLT M16X1.5X100             | -                        | 16      |
| 28  | 9043087          | Slagle                     | HOE                          | AGF140.201               | 16      |
| 29  | N/A              | Fjederskive 16 mm          | SPRING WASHER 16             | GB/T93-87 16             | 8       |
| 30  | N/A              | Låsemøtrik M16x1,5         | LOCKING NUT M16X1.5          | GB/T889.1-86 M16X1,5     | 16      |
| 31  | 9050205          | Planskive 16 mm            | PLAIN WASHER 16              | -                        | 4       |
| 32  | 9043088          | Akseltap, højre            | SUPPORTING FOR ROLLER (R)    | AGF140.033               | 1       |
| 33  | 9058861          | Bolt M16x45                | BOLT M16X45                  | GB/T5783-86 M16X45       | 4       |
| 34  | 9048902          | Låsering indiv. Ø90        | CIRCLIP 90                   | GB/T893.1-86 90          | 4       |
| 35  | 9038588          | Kugleleje 6308-2RS         | BEARING 6308                 | -                        | 2       |
| 37  | 9067259          | Bagrulle, 140 cm           | ROLLER WELDMENT, 140CM       | AGF140.022               | 1       |

| Pos | Varenr / item no | Varenavn                            | Item name                     | OE                       | stk/qty |
|-----|------------------|-------------------------------------|-------------------------------|--------------------------|---------|
| 37  | 9058874          | Bagrulle, 180 cm                    | ROLLER WELDMENT,<br>180CM     | AGF180.022               | 1       |
| 38  | 9043089          | Akseltap, venstre                   | SUPPORTING FOR ROLLER<br>(L)  | AGF140.032               | 1       |
| 39  | 9044181          | Hovedaksel, 140cm, inkl<br>slagler  | BLADE AXLE WELDMENT,<br>140CM | AGF140.023               | 1       |
| 39  | 9043680          | Hovedaksel, 180cm, inkl<br>slagler  | BLADE AXLE WELDMENT,<br>180CM | AGF180.023               | 1       |
| 40  | 9043091          | Pakdåse 45x80x10                    | OIL SEAL 45X80X10             | GB/T13871-94<br>45X80X10 | 2       |
| 41  | 9043092          | Kugleleje 1308                      | BEARING 1308                  | GB/T281-94 1308          | 2       |
| 42  | 9043093          | Lejehus                             | BEARING SEAT                  | AGF140.104               | 2       |
| 43  | N/A              | Bolt M16x35                         | BOLT M16X35                   | GB/T5783-86 M16X35       | 8       |
| 44  | 9043094          | Slæbesko, højre                     | BASE PLATE (R)<br>WELDMENT    | AGF140.029               | 1       |
| 45  | 9043095          | Taperlock 40x80                     | SWELLABLE SLEEVE              | JB/T7934Z3 40X80         | 1       |
| 46  | 9043096          | Remskive, lille – 165x80,<br>3 spor | SMALL BELT PULLEY             | AGF140.202               | 1       |
| 47  | 9052858          | Kilerem B52, 17x1320                | STRAP B11321LI11361LD         | -                        | 3       |
| 48  | 9043098          | Remskive, stor – 220x80,<br>3 spor  | BIG BELT PULLEY               | AGF140.203               | 1       |
| 49  | 9043099          | Remskærm, bagerste del              | BELT COVER (R)                | AGF140.014               | 1       |
| 50  | 9043100          | Taperlock 33x80                     | SWELLABLE SLEEVE              | JB/T7934Z3 33X80         | 1       |
| 51  | 9050215          | Låsemøtrik M10                      | LOCKING NUT M10               | -                        | 24      |
| 52  | 9043101          | Remskærm, forreste del              | BELT COVER (L)                | AGF140.013               | 1       |
| 53  | 9050202          | Planskive 8 mm                      | PLAIN WASHER 8                | -                        | 4       |
| 62  | 9050203          | Planskive 10 mm                     | PLAIN WASHER 10               | -                        | 36      |
| 63  | N/A              | Holder for gummiplade,<br>140cm     | PRESS PLATE, 140CM            | AGF140.206               | 1       |
| 63  | 9053599          | Holder for gummiplade,<br>180cm     | PRESS PLATE, 180CM            | AGF180.206               | 1       |
| 64  | N/A              | Gummiplade, 140cm                   | RUBBER PLATE, 140CM           | AGF140.208               | 1       |
| 64  | 9043083          | Gummiplade, 180cm<br>(185x13x2)     | RUBBER PLATE, 180CM           | AGF180.208               | 1       |
| 65  | 9046948          | Afstandsbøsning                     | SLEEVE                        | AGF140.111               | 78      |
| 66  | 9056532          | Plade, jern                         | CAST PLATE                    | AGF140.204               | 9       |
| 85  | 9050217          | Låsemøtrik M16                      | LOCKING NUT M16               | -                        | 4       |
| 91  | N/A              | Cover for vinkelgear                | GEARBOX COVER<br>WELDMENT     | AGF140.035               | 1       |
| 92  | N/A              | Remskærm                            | BELT PULLEY COVER             | AGF140.205               | 1       |
| 93  | 9050241          | Bolt M10x30                         | BOLT M10X30                   | -                        | 2       |
| 94  | N/A              | Beskyttelsesplade,<br>140cm         | CONNECTING PIPE, 140CM        | AGF-K140.1000.001        | 1       |
| 94  | N/A              | Beskyttelsesplade,<br>180cm         | CONNECTING PIPE, 180CM        | AGF-K180.1000.001        | 1       |
| 98  | N/A              | Bolt M10x35                         | BOLT M10X35                   | GB/T5783-86 M10X35       | 18      |

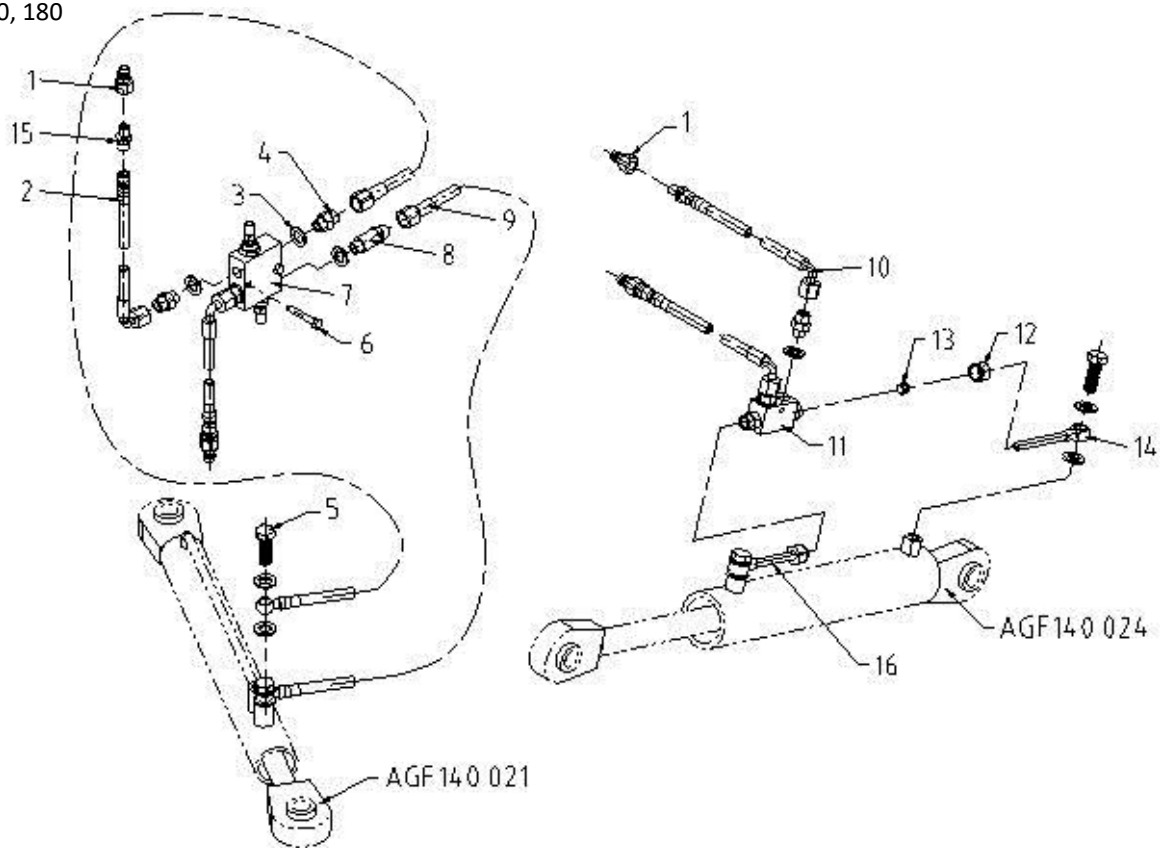
AGFK 140, 180  
FIGUR 2



## AGFK 140, 180 – DELE TIL FIGUR 2

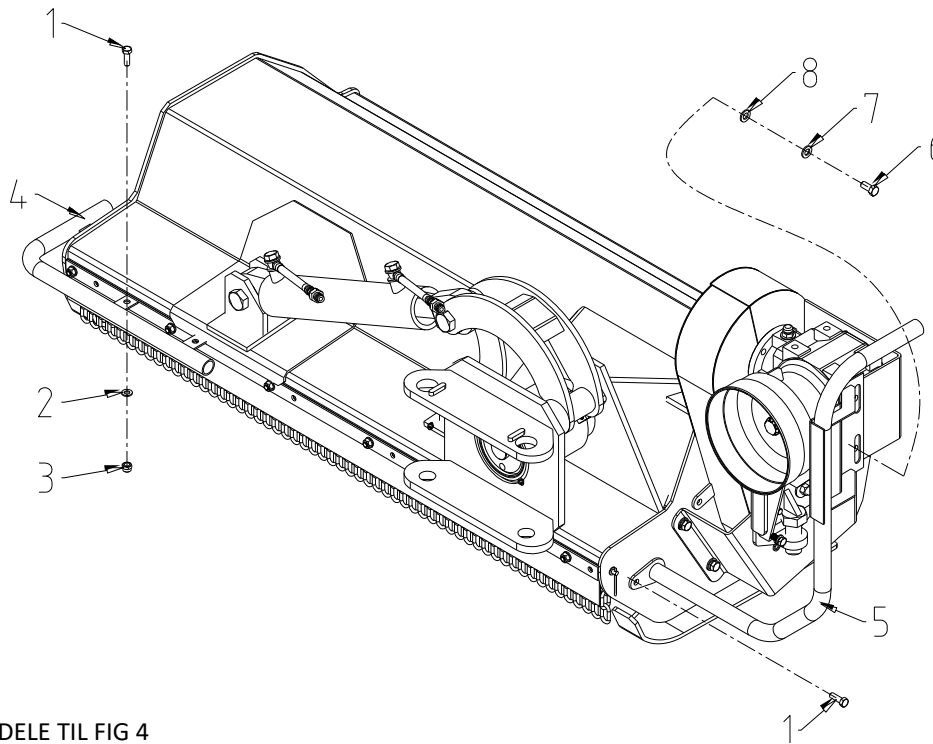
| Pos | Varenr / item no | Varenavn                            | Item name                     | OE                      | stk/qty |
|-----|------------------|-------------------------------------|-------------------------------|-------------------------|---------|
| 54  | 9043679          | U-bøjle/3-pkt. ophæng               | HANGING WELDMENT              | AGF140.016              | 1       |
| 55  | 9044184          | Hovedbolt, 262xM30x2                | PIN (L)                       | AGF140.101              | 4       |
| 56  | 9045008          | Bøsning 40x44x50                    | BUSHING 40X44X50              | SF-2/40X44X50           | 8       |
| 57  | N/A              | Prop                                | COVER (B)                     | AGF140.108              | 2       |
| 58  | N/A              | Hårnålesplit                        | R PIN 3.2                     | JB/T-EFGC125.110        | 2       |
| 59  | 9044185          | Støtteben, højre                    | SUPPORTING FRAME (R)          | AGF140.011              | 1       |
| 60  | N/A              | Lås                                 | BENT PIN                      | 1G135.00.107            | 2       |
| 61  | 9044186          | Låsemøtrik, M30x2                   | LOCKING NUT M30X2             | GB/T889.1-86 M30X2      | 5       |
| 67  | N/A              | Bolt M24x100                        | BOLT M24X100                  | GB/T5782-86<br>M24X100  | 3       |
| 68  | 9043106          | Cylinder<br>f/sideforskydning       | PARALLEL MOVEMENT<br>CYLINDER | AGF140.021              | 1       |
| 69  | N/A              | Låsemøtrik M24                      | LOCKING NUT M24               | GB/T889.1-86 M24        | 4       |
| 70  | N/A              | Parallelarm, venstre                | FRONT SWINGING ARM            | AGF140.018              | 1       |
| 71  | N/A              | Bolt M14x35                         | BOLT M14X35                   | GB/T5783-86 M14X35      | 4       |
| 72  | N/A              | Fjederskive 14 mm                   | SPRING WASHER 14              | GB/T93-87 14            | 4       |
| 73  | N/A              | Planskive 14 mm                     | PLAIN WASHER 14               | GB/T97.1-85 14          | 4       |
| 74  | 9043108          | Stopdæksel f/kongetap               | COVER                         | AGF140.105              | 1       |
| 75  | 9043109          | Bøsning 110x115x60                  | BUSHING 110X115X60            | SF-2/110X115X60         | 2       |
| 76  | 9043110          | Drejebeslag f/kongetap              | ROTATING SHAFT                | AGF140.025              | 1       |
| 77  | N/A              | Bolt M24x120                        | BOLT M24X120                  | GB/T5782-86<br>M24X120  | 1       |
| 78  | 9054173          | Vippebeslag                         | THE MOON PLATE                | AGF140.027              | 1       |
| 79  | 9046947          | Låsebeslag                          | CLAMPING BLOCK                | AGF140.102              | 1       |
| 80  | N/A              | Skive                               | WASHER                        | AGF140.103              | 1       |
| 81  | N/A              | Bolt M30x70                         | BOLT M30X70                   | GB/T5783-86 M30X70      | 1       |
| 82  | 9046946          | Arm / beslag                        | PUSH PEDAL                    | AGF140.107              | 1       |
| 83  | N/A              | Låsemøtrik M30                      | LOCKING NUT M30               | GB/T889.1-86 M30        | 1       |
| 84  | 9043111          | Vippecylinder                       | SIDE SWAY CYLINDER            | AGF140.024              | 1       |
| 86  | 9047298          | Parallelarm med beslag              | REAR SWINGING ARM             | AGF140.019              | 1       |
| 87  | N/A              | Støtteben, venstre                  | SUPPORTING FRAME (L)          | AGF140.012              | 1       |
| 88  | N/A              | Beslag                              | SWAY SEAT WELDMENT            | AGF140.017              | 1       |
| 89  | N/A              | Aksel                               | PIN (S)                       | AGF140.106              | 1       |
| 90  | N/A              | Topstangsbolt                       | UPPER PIN                     | AGF140.109              | 1       |
| 95  | 9053451          | Vippebeslag for<br>påkørselssikring | SMALL HANGING<br>WELDMENT     | AGF140.031              | 1       |
| 96  | N/A              | Træknagle                           | DOWN PIN                      | AGF140.210              | 3       |
| 97  | 9068215          | Krog                                | HOOK                          | EFGC125.124             | 1       |
| 99  | N/A              | Hydraulik-enhed, 140cm              | BAFFLE WELDMENT,<br>140CM     | AGF-K140.1000.200A      | 1       |
| 99  | N/A              | Hydraulik-enhed, 180cm              | BAFFLE WELDMENT,<br>180CM     | AGF-K180.1000.200A      | 1       |
| 101 | 9058736          | Tap for drejebeslag                 | PIN-PUSH ROD                  | AGF140.112              | 1       |
| 102 | N/A              | Bolt M14x90                         | BOLT M14X90                   | GB/T5782-2000<br>M14X90 | 1       |
| 103 | 9041419          | Låsemøtrik M14                      | LOCK NUT M14                  | -                       | 1       |

AGFK 140, 180  
FIGUR 3



AGFK 140,180 – DELE TIL FIGUR 3

| Pos | Varenr / item no | Varenavn                               | Item name              | OE                         | stk/qty |
|-----|------------------|--|------------------------|----------------------------|---------|
| 1   | 9046997          | Lynkobling 1/2"                        | QUICK CONNECTOR R 1/2" | GB/T8606-2000 R1/2"        | 4       |
| 2   | 9056549          | Olieslange / olierør                   | OIL PIPE               | AGF140.041                 | 2       |
| 3   | 9043104          | Oliepakning /<br>dowtyskive, 16 mm     | SEAL WASHER 16         | JB/T 982-1977 16           | 14      |
| 4   | 9046994          | Brystnippel, kort                      | SHORT ADAPTOR          | G3/8-M18x1.5A              | 5       |
| 5   | 9045082          | Banjobolt M16x1,5x45                   | HOLLOW BOLT M16X1.5    | GB/T 3451-83<br>M16X1,5X45 | 4       |
| 6   | 9050233          | Bolt M8x40                             | BOLT M8X40             | -                          | 2       |
| 7   | 9046993          | Chock-ventil                           | VALVE                  | DRV-S-L1-015               | 1       |
| 8   | 9046995          | Brystnippel, lang                      | LONG ADAPTOR           | G3/8-M18x1.5A(L=64)        | 1       |
| 9   | N/A              | Hydraulikslange                        | OIL PIPE               | AGF140.043                 | 2       |
| 10  | N/A              | Hydraulikslange                        | OIL PIPE               | AGF140.044                 | 2       |
| 11  | 9046998          | Kontraventil, dobbelt -<br>pilotstyret | VALVE                  | VRDD015                    | 1       |
| 12  | 9047001          | Omløber M18                            | NUT                    | AGF140.403                 | 1       |
| 13  | 9047000          | Bøsning / skærering Ø12                | BUSHING                | AGF140.404                 | 1       |
| 14  | 9068062          | Forbindelsesrør                        | ADAPTOR WELDMENT       | AGF140.16Q L=66            | 1       |
| 15  | N/A              | Brystnippel                            | ADAPTOR                | M18x1.5A-R1/2              | 4       |
| 16  | N/A              | Hydraulikslange, kort                  | SHORT OIL PIPE         | AGF140.048                 | 1       |

AGFK 140, 180  
FIGUR 4

AGFK 140, 180 - DELE TIL FIG 4

| Pos | Varenr / item no | Varenavn                   | Item name                     | OE                      | stk/qty |
|-----|------------------|----------------------------|-------------------------------|-------------------------|---------|
| 1   | 9050241          | Bolt M10x30                | <i>BOLT M10X30</i>            | GB/T5783-2000<br>M10X30 | 4       |
| 2   | 9050203          | Planskive 10 mm            | <i>PLAIN WASHER 10</i>        | GB/T97.1-2002 10        | 7       |
| 3   | 9050215          | Låsemøtrik M10             | <i>LOCKING NUT M10</i>        | GB/T889.1-2000<br>M10   | 3       |
| 4   | 9068903          | Beskyttelsesbøjle, højre   | <i>GUARDRAIL WELDMENT (R)</i> | AGF140.045HL            | 1       |
| 5   | 9068904          | Beskyttelsesbøjle, venstre | <i>GUARDRAIL WELDMENT (L)</i> | AGF140.046HL            | 1       |
| 6   | N/A              | Bolt M12x25                | <i>BOLT M12X25</i>            | GB/T5783-2000<br>M12X25 | 1       |
| 7   | N/A              | Fjederskive 12 mm          | <i>SPRING WASHER 12</i>       | GB/T93-87 12            | 1       |
| 8   | 9050204          | Planskive 12 mm            | <i>PLAIN WASHER 12</i>        | GB/T97.1-2002 12        | 1       |

## Ekstra dele – ej illustreret

| Varenr / item no | Varenavn  | Item name                 | OE | stk/qty |
|------------------|---|---------------------------|----|---------|
| 9054037          | Slangesæt m/drøvleventil                            | <i>FLOW CONTROL VALVE</i> |    | 1       |
| 9047378          | Låsepal, sæt f/PTO                                  | <i>PIN F/PTO</i>          |    | 2       |
| 9055231          | Springbolt, M10x70                                  |                           |    | 1       |
| 9047376          | PTO-aksel, komplet                                  |                           |    | 1       |
| 9047377          | Beskyttelsesrør, PTO                                |                           |    | 1       |
| 9050799          | Beskyttelsesrør, PTO                                |                           |    | 1       |
| 9043107          | Pakningssæt f/cylinder til sideforskydning (pos 68) |                           |    | 1       |
| 9043112          | Pakningssæt f/vippe-cylinder (pos 84)               |                           |    | 1       |

Vi forbeholder os ret til uden foregående varsel at ændre de tekniske parametre og specifikationer for dette produkt