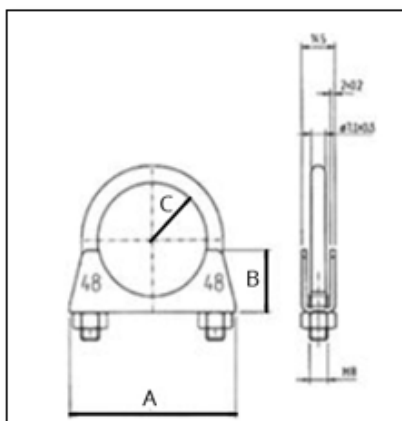


## Rörklamma - mått



## Galvaniserad

Art.	Mått A - mm	Mått B - mm	Mått C - mm
9016827	50,0	16,0	12,5
9016829	60,0	20,0	17,5
9016830	63,0	22,0	19,0
9016831	70,0	25,5	22,2
9016832	80,0	31,0	25,0
9016834	97,0	40,0	32,5

## Rostfri

Art.	Mått A - mm	Mått B - mm	Mått C - mm
9016836	50,0	16,0	12,5
9016837	60,0	20,0	17,5
9016838	63,0	22,0	19,0
9016839	70,0	26,0	22,2
9016840	76,0	27,0	25,5
9016841	89,0	32,0	32,0

**P.Lindberg**