

JORD & MARK



AHEAD NBM 105, 155, 175, 200, 220

SLAGLEKLIPPERE

Reservedelskatalog til

AHEAD NBM slagleklippere med
manuel sideforskydning

105 cm 9063089

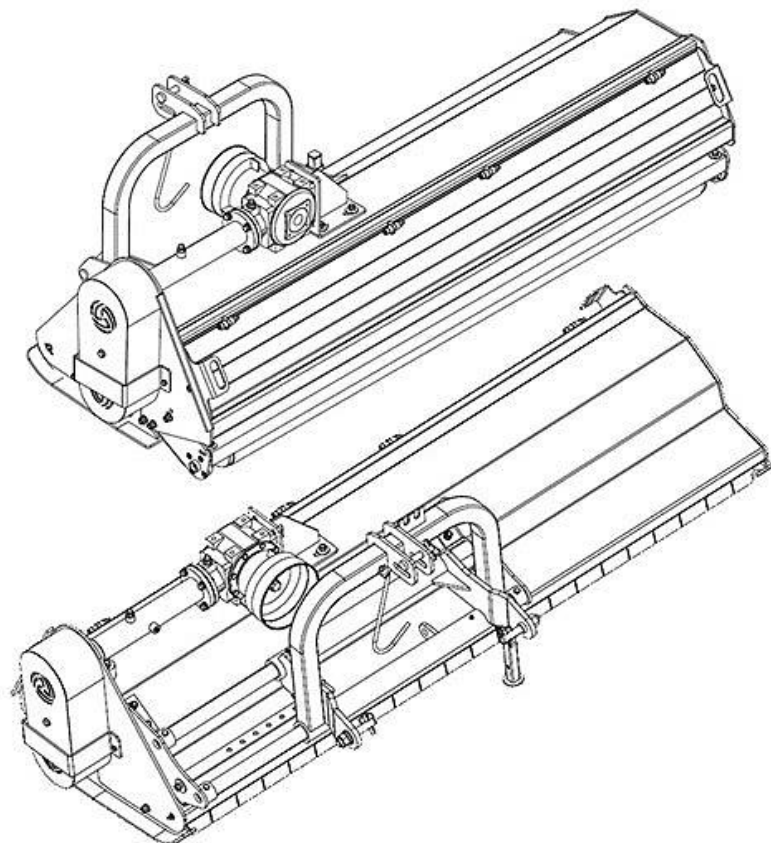
155 cm 9068065

175 cm 9068066

200 cm 9068067

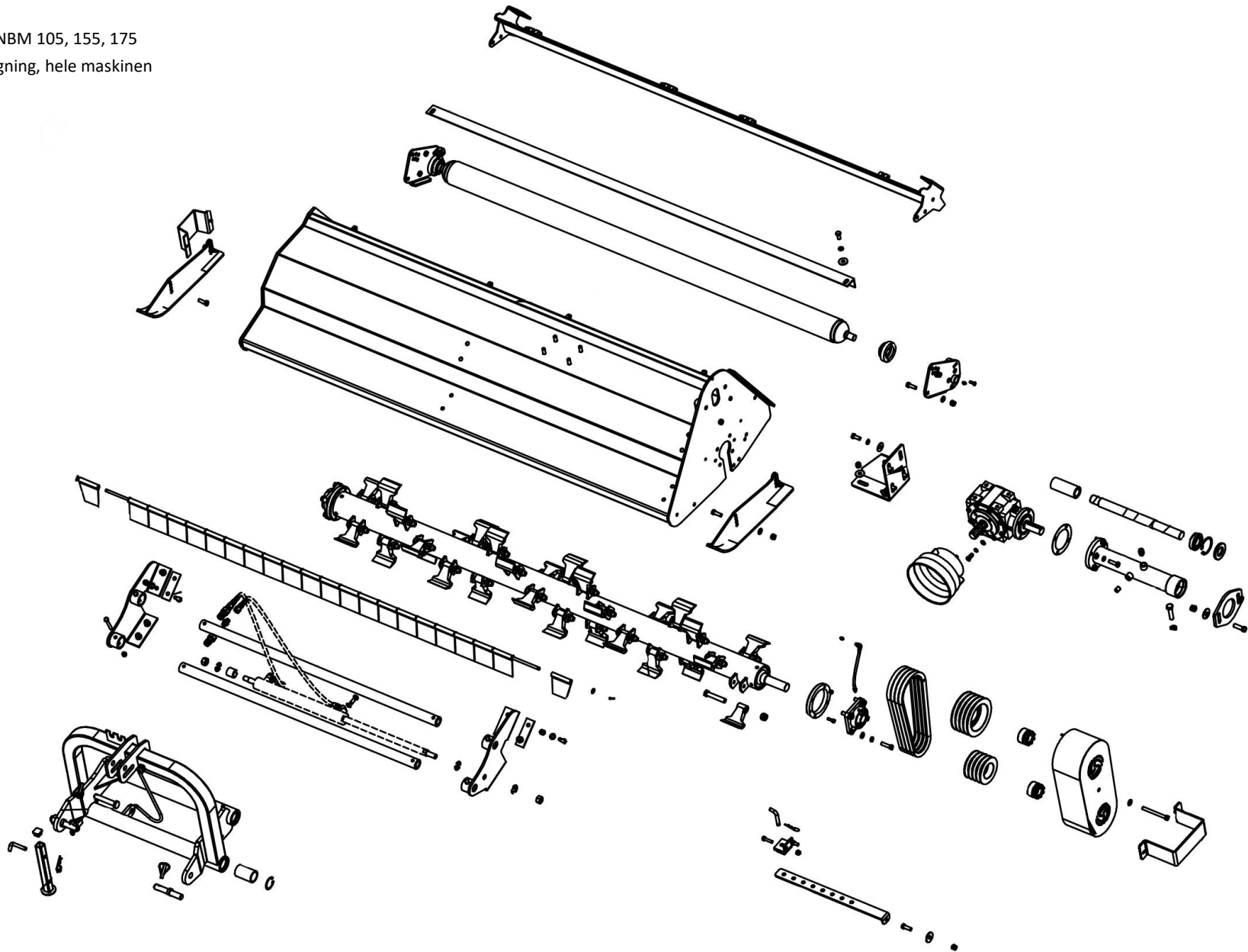
220 cm 9068068

BEMÆRK: Medmindre andet er angivet,
passer delene til alle modeller.



09.08.2023 (V1)

AHEAD NBM 105, 155, 175
- Splittegning, hele maskinen

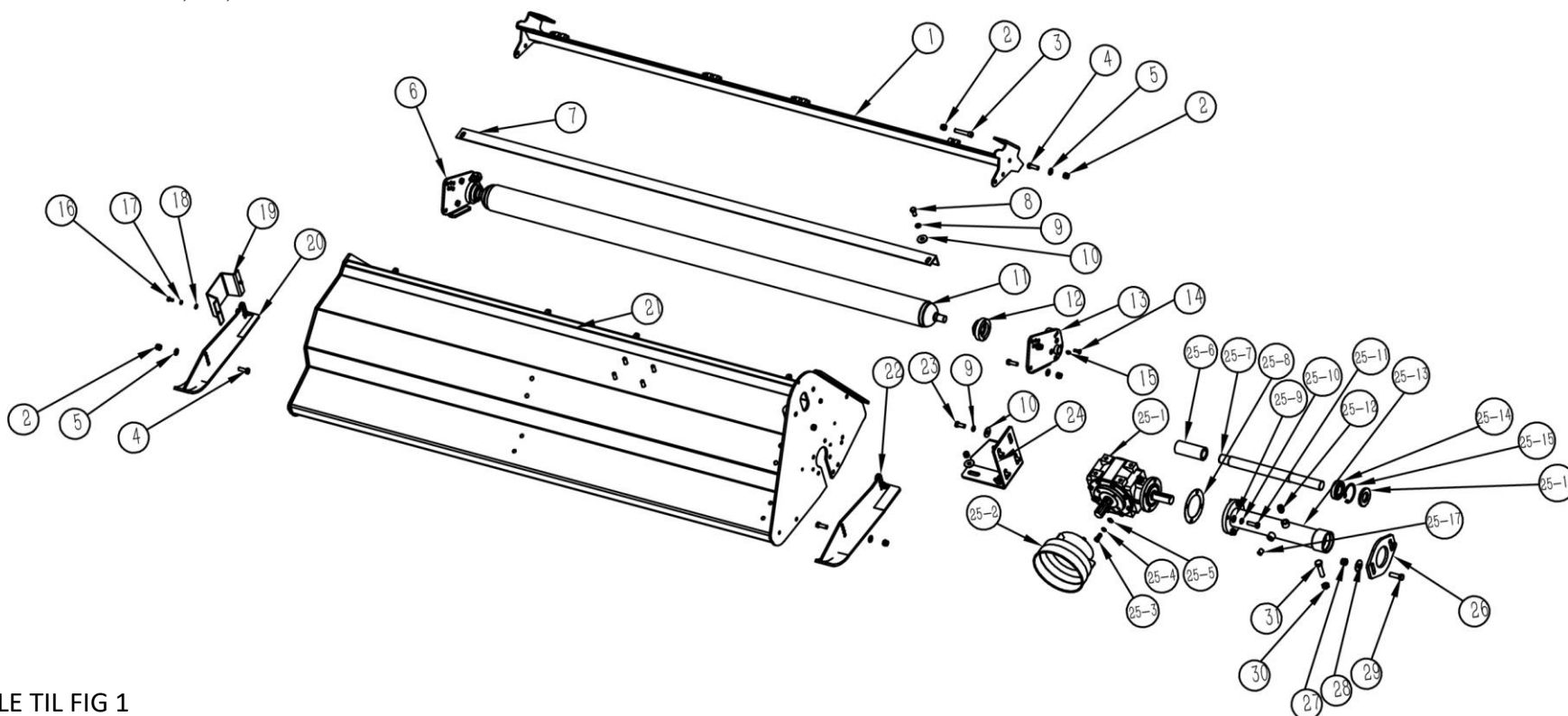


Kontakt
Tlf Salgsafdeling: 7021 2626
Tlf Teknisk support: 7696 2326

P. Lindberg A/S
Sdr. Ringvej 1
DK - 6600 Vejen

AHEAD NBM 9063089 m.fl. DKV1
www.p-lindberg.dk
e-mail: salg@p-lindberg.dk

FIG 1 – AHEAD NBM 105, 155, 175



DELE TIL FIG 1

Pos	Varenr / item no.	Varenavn	Item name	OE	stk/pcs
1	N/A	Bagklap, 105cm	Rear door weldment 105	NBM105S.3	1
1	N/A	Bagklap, 155cm	Rear door weldment 155	NBM155S.3	1
1	N/A	Bagklap, 175cm	Rear door weldment 175	NBM175S.3	1
2	9050216	Låsemøtrik, M12	Locking bolt M12	GB/T889.1	27
3	N/A	Bolt, M12x65	Bolt M12x65	GB/T70.1	3
4	N/A	Bolt, M12x35	Bolt M12x35	GB/T5783	18
5	9050204	Planskive, 12 mm	Washer 12 mm	GB/T97.1	27
6	9068119	Lejeholder f/bagrulle, højre	Rear roller connection plate -R	NBM220S.31	1
7	9068127	Afskraber, 105cm	Mud scraper 105	NBM105CR.10	1

Pos	Varenr / item no.	Varenavn	Item name	OE	stk/pcs
7	9068128	Afskraber, 155cm	Mud scraper 155	NBM155CR.10	1
7	9068129	Afskraber, 175cm	Mud scraper 175	NBM175CR.10	1
8	N/A	Bolt, M12x25	Bolt M12x25	GB/T5783	2
9	N/A	Fjederskive, 12 mm	Spring washer 12 mm	GB/T93.1	14
10	9050200	Skærmskive, 12 mm	Big washer 12 mm	GB/T96	10
11	9068130	Bagrulle, 105cm	Rear roller weldment 105	NBM105.12	1
11	9068131	Bagrulle, 155cm	Rear roller weldment 155	NBM155.12	1
11	9068132	Bagrulle, 175cm	Rear roller weldment 175	NBM175.12	1
12	N/A	Komplet leje, UC205	Bearing complete UC205	EFGC175.19B	2
12.1	9044336	Løst leje, UC205	Bearing UC205	-	2
13	9068120	Lejeholder f/bagrulle, venstre	Rear roller connection plate -L	NBM220S.13	1
14	N/A	Bolt, M8x25	Bolt M8x25	GB/T2673	8
15	N/A	Smørenippel, M8x1	Grease nipple M8x1	JB/T 7940.1-1995	3
16	9050230	Bolt, M8x16	Bolt M8x16	GB/T5783	2
17	N/A	Fjederskive, 8 mm	Spring washer 8 mm	GB/T93.1	2
18	9050202	Planskive, 8 mm	Washer 8 mm	GB/T97.1	3
19	N/A	Beskyttelsesplade	Protection plate	NBM175.15	1
20	9068121	Slæbesko, venstre	Skid -L	NBM175.4	1
21	N/A	Slaglekasse, 105cm	Mower deck weldment 105	NBM105S.1	1
21	N/A	Slaglekasse, 155cm	Mower deck weldment 155	NBM155S.1	1
21	N/A	Slaglekasse, 175cm	Mower deck weldment 175	NBM175S.1	1
22	9068122	Slæbesko, højre	Skid-R	NBM175.5	1
23	9050250	Bolt, M12x30	Bolt M12x30	GB/T5783	4
24	N/A	Gearkasse beslag	Gearbox bracket	EFGC175.14	1
25	9068133	Komplet gearkasse, 105cm	Transmission assemble 105	NBM105.9	1
25	9068134	Komplet gearkasse, 155cm	Transmission assemble 155	NBM155.9	1
25	9068135	Komplet gearkasse, 175cm	Transmission assemble 175	NBM175.9	1
25.1	9064043	Vinkelgear	Gearbox	XH50.300Z.02W	1
25.2	9068136	PTO-cover	PTO cover	EFGC175.39	1
25.3	N/A	Bolt, M10x15	Bolt M10x15	GB/T 5783	4
25.4	N/A	Fjederskive, 10 mm	Spring washer 10 mm	GB/T 93.1	4
25.5	9050203	Planskive, 10 mm	Washer 10 mm	GB/T 97.1	4
25.6	9064044	Trækmuffe	Connection bushing	EFGC175.9-2	1

Kontakt

Tlf Salgsafdeling: 7021 2626

Tlf Teknisk support: 7696 2326

P. Lindberg A/S

Sdr. Ringvej 1

DK - 6600 Vejen

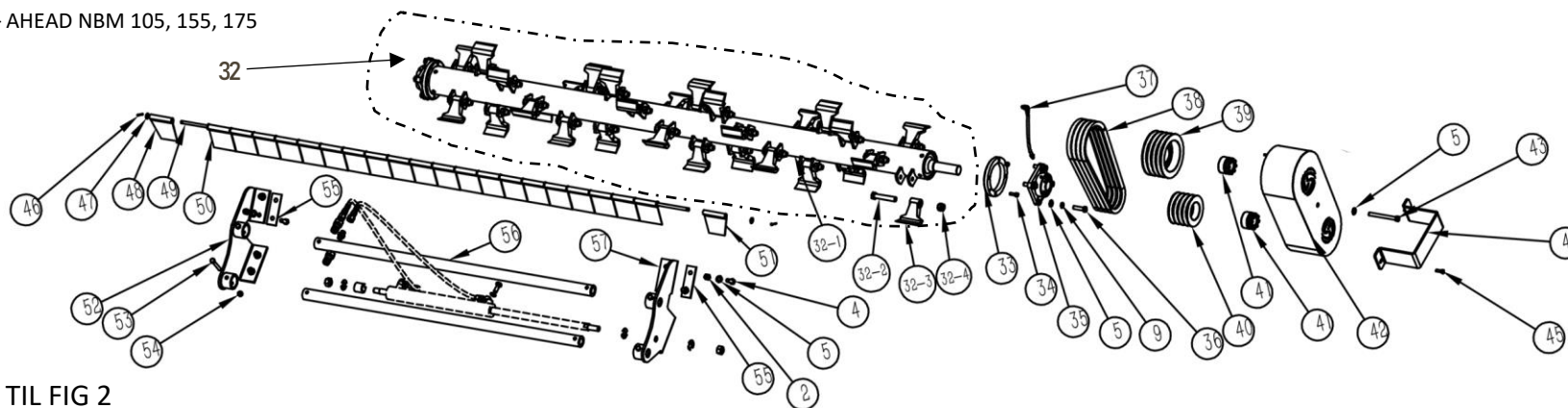
AHEAD NBM 9063089 m.fl. DKV1

www.p-lindberg.dk

e-mail: salg@p-lindberg.dk

Pos	Varenr / item no.	Varenavn	Item name	OE	stk/pcs
25.7	9064045	Aksel, 105cm	Shaft 105	NBM105.9-3	1
25.7	9068123	Aksel, 155cm	Shaft 155	NBM155.9-3	1
25.7	9068124	Aksel, 175cm	Shaft 175	NBM175.9-3	1
25.8	9068125	Pakning v/vinkelgear	Gasket	EFGC175.9-1	1
25.9	9050204	Planskive, 12 mm	Washer 12 mm	GB/T97.1	4
25.10	N/A	Fjederskive, 12 mm	Spring washer 12 mm	GB/T93.1	4
25.11	9050251	Bolt, M12x40	Bolt M12x40	GB/T5783	4
25.12	9064046	Udluftningsprop	Breath air plug	EFGC125.169	1
25.13	N/A	Akselrør, 105cm	Transmission tube weldment 105	NBM105.9-4	1
25.13	N/A	Akselrør, 155, 175cm	Transmission tube weldment	NBM175.9-4	1
25.14	9038580	Leje, 6207-2RS	Bearing 6207-2RS	GB/T 276-94	1
25.15	N/A	Låsering 72	Circlip 72	GB/T 893.1-1986	1
25.16	9068126	Pakdåse, FB 35x72x10	Oil seal FB35x72x10	GB/T 13871-94	1
25.17	N/A	Prop	Plug ZG3/8"-19	ZB/T32001.3-87	1
26	N/A	Remstrammer	Tension plate	EFGC175.29	1
27	9041419	Låsemøtrik, M14	Locking nut M14	GB/T889.1	2
28	N/A	Skærmskive, 14 mm	Big washer 14 mm	GB/T96	2
29	N/A	Bolt, M14x45	Bolt M14x45	GB/T5783	2
30	9050949	Møtrik, M16x1.5	Thick nut M16x1.5	GB/T6173	1
31	N/A	Bolt, M16x1.5x50	Bolt M16x1.5x50	GB/T5786	1

FIG 2 – AHEAD NBM 105, 155, 175

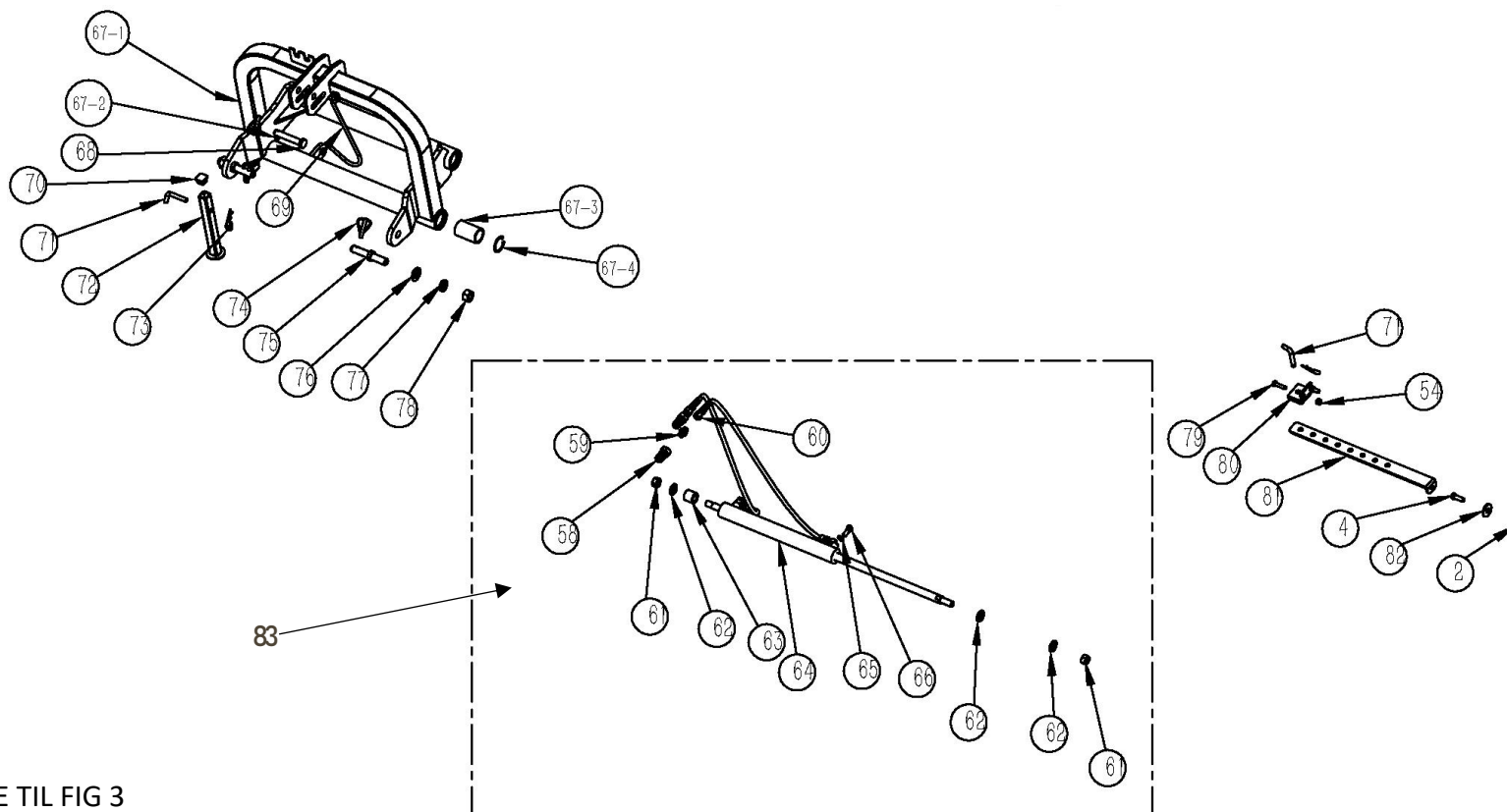


DELE TIL FIG 2

Pos	Varenr / item no	Varenavn	Item name	OE	stk/pcs
2	9050216	Låsemøtrik, M12	Locking bolt M12	GB/T889.1	27
4	N/A	Bolt, M12x35	Bolt M12x35	GB/T5783	18
5	9050204	Planskive, 12 mm	Washer 12 mm	GB/T97.1	27
9	N/A	Fjederskive, 12 mm	Spring washer 12 mm	GB/T93.1	14
32	9068137	Komplet aksel, inkl. slagler, 105cm	Rotor assemble, 105	NBM105.8A	1
32	9068138	Komplet aksel, inkl. slagler, 155cm	Rotor assemble, 155	NBM155.8A	1
32	9068139	Komplet aksel, inkl. slagler, 175cm	Rotor assemble, 175	NBM175.8A	1
32.1	N/A	Hovedaksel, 105cm	Rotor weldment 135	NBM135.8	1
32.1	N/A	Hovedaksel, 155cm	Rotor weldment 155	NBM155.8	1
32.1	N/A	Hovedaksel, 175cm	Rotor weldment 175	NBM175.8	1
32.2	9050264	Bolt, 16x1.5x85 – 105cm	Bolt 16x1.5x85	B-G057850-16*1.5*85	16
32.2	9050264	Bolt, 16x1.5x85 – 155cm	Bolt 16x1.5x85	B-G057850-16*1.5*85	24
32.2	9050264	Bolt, 16x1.5x85 – 175 cm	Bolt 16x1.5x85	B-G057850-16*1.5*85	28
32.3	9064047	Slagle, 105cm	Hammer	NBM175.30	16
32.3	9064047	Slagle, 155cm	Hammer	NBM175.30	24
32.3	9064047	Slagle, 175cm	Hammer	NBM175.30	28
32.4	9050949	Låsemøtrik, M16x1.5	Locking nut M16x1.5	GB/T889.2	16
32.4	9050949	Låsemøtrik, M16x1.5	Locking nut M16x1.5	GB/T889.2	24
32.4	9050949	Låsemøtrik, M16x1.5	Locking nut M16x1.5	GB/T889.2	28
33	N/A	Beskyttelsesring f/leje	Ring for grass	NBM175.16	2

Pos	Varenr / item no	Varenavn	Item name	OE	stk/pcs
34	N/A	Bolt, M8x25	Bolt M8x25	GB/T70.1	4
35	9044311	Komplet leje, UCFU207	Bearing UCFU207	GB/T7810	2
36	N/A	Bolt, M12x45	Bolt M12x45	GB/T5783	9
37	9064048	Smørerør	Grease tube	-	1
38	9068170	Kilerem, AV17x991, 105, 155cm	Belt AV 17x991	B-G127320-17x991	3
38	9068170	Kilerem, AV17x991, 175cm	Belt AV 17x991	B-G127320-17x991	4
39	9064049	Remskive, stor – 105, 155cm	Big pulley	EFGC155.31	1
39	9068140	Remskive, stor – 175cm	Big pulley	EFGC175.31	1
40	9064050	Remskive, lille – 105, 155cm	Small pulley	EFGC155.27	1
40	9068141	Remskive, lille – 175cm	Small pulley	EFGC175.27	1
41	9064051	Taperlock, 35x60	Power lock 35x60	JB/T7934Z3	2
42	9068142	Remskærm – 105, 155cm	Belt cover	NBM155.7	1
42	9068143	Remskærm – 175cm	Belt cover	NBM175.7	1
43	N/A	Bolt, M12x130	Bolt M12x130	GB/T5782	1
44	N/A	Beskyttelsesplade	Protection plate	NBM155.25A	1
45	N/A	Bolt, M8x25	Bolt M8x25	GB/T5783	2
46	N/A	Split, 4x28	Cotter pin 4x28	GB/T91-2000	2
47	9050203	Planskive, 10 mm	Washer 10 mm	GB/T97.1	23
48	9068144	Flap, venstre	Fender left	EF100.00.122A	1
49	N/A	Aksel	Bar for fender	NBM105.19	1
50	9068146	Flap, midte, 105cm	Fender middle	EF100.00.122	8
50	9068146	Flap, midte, 155cm	Fender middle	EF100.00.122	13
50	9068146	Flap, midte, 175cm	Fender middle	EF100.00.122	15
51	9068145	Flap, højre	Fender right	EF100.00.122B	1
52	9065285	Beslag, venstre	Bracket, left	NBM175CR.29	1
53	N/A	Bolt, M10x75	Bolt M10x75	GB/T5782	4
54	9050215	Låsemøtrik, M10	Locking nut M10	GB/T 889.1	6
55	N/A	Plade	Plate	EFGC175.16	4
56	N/A	Gliderør, 105cm	Lead rail	EFGCH105.108	2
56	9068147	Gliderør, 155, 175cm	Lead rail	EFGCH125.108	2
57	9065286	Beslag, højre	Bracket, right	NBM175CR.28	1

FIG 3 – AHEAD NBM 105, 155, 175

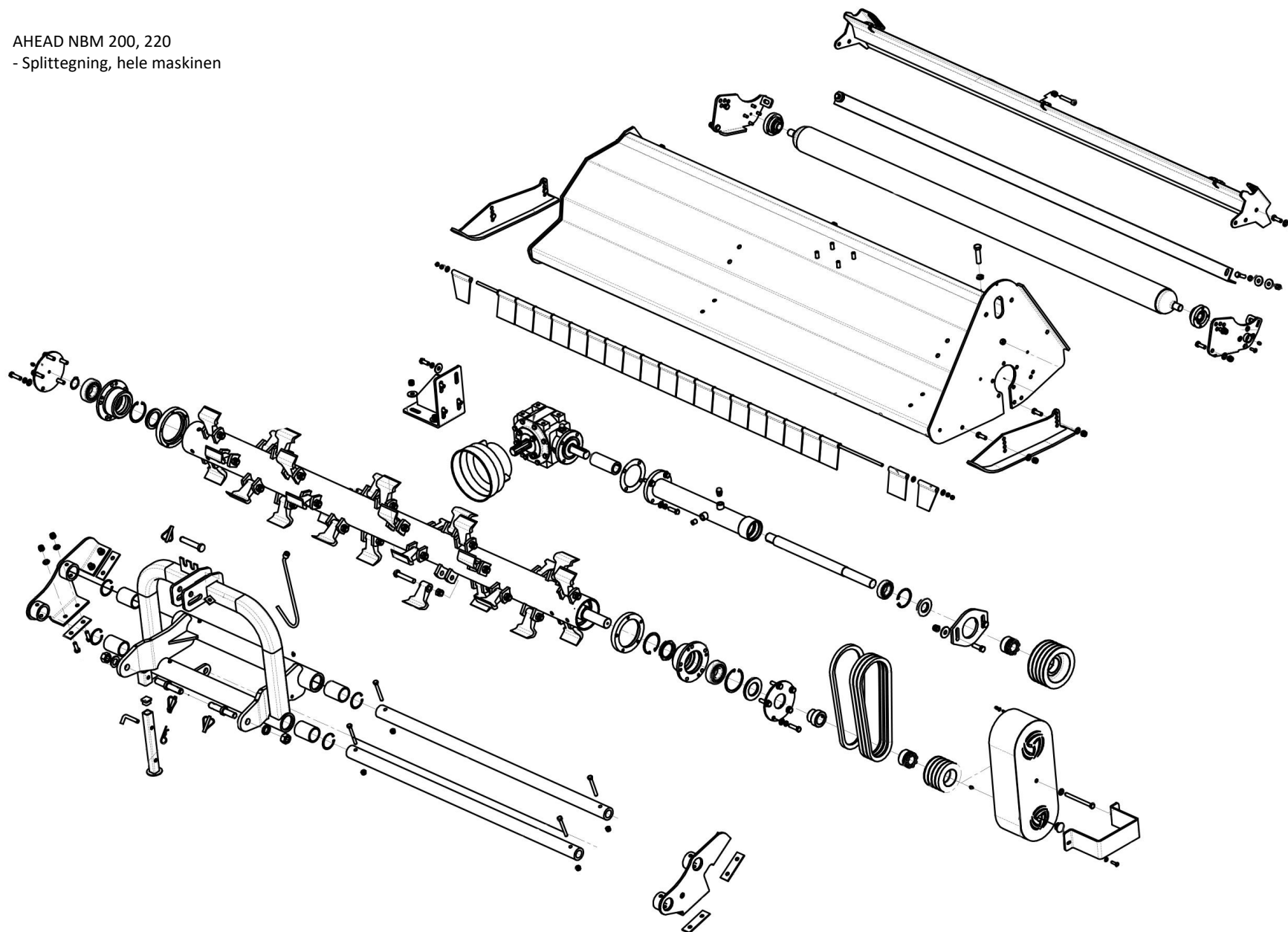


DELE TIL FIG 3

Pos	Varenr / item no	Varenavn	Item name	OE	stk/pcs
2	9050216	Låsemøtrik, M12	Locking bolt M12	GB/T889.1	27
4	N/A	Bolt M12x35	Bolt M12x35	GB/T5783	18
54	9050215	Låsemøtrik, M10	Locking nut M10	GB/T 889.1	6
58	9013718	Hydraulikkobling, han	Quick coupler G1/2	GB/T 5862	2
59	N/A	Brystnippel	Connection M14x1.5-G1/2	GE08LR1/2ED	2
60	9068148	Hydraulikslange	Oil pipe (long)	EFGCH125.012	2
61	N/A	Møtrik, M18	Nut M18	G/T6170	2
62	N/A	Planskive, 18 mm	Washer 18 mm	GB/T97.1	3
63	9064052	Bøsning	Bushing	EFGCH125.101	1

Pos	Varenr / item no	Varenavn	Item name	OE	stk/pcs
64	N/A	Cylinder	Cylinder for NBM 105	EFGCH105.011	1
65	N/A	Oliepakning	Combination gasket 12	GB/T3541-83	4
66	N/A	Banjobolt	Swing bolt M12x1.25x30	JB/T 978	2
67	9068149	Ophæng, komplet	Top linkage assemble	NBM175CR.2	1
67.1	N/A	Ophæng	Top linkage weldment	NBM175CR.2.1	1
67.2	N/A	Smørenippel, M8x1	Grease nipple M8x1	JB/T 7940.1-1995	1
67.3	9064053	Nylonbøsning	Nylon bushing	NBM175.2-2	4
67.4	N/A	Låsering 52	Inner clip 52	GB/T 893.1	4
68	9013737	Topstangsbolt	Top pin	EFGC175.33	1
69	9068150	Krog	Hook	EFGC175.34	1
70	9068174	Plasticprop, 28x28	Rubber plug 28x28	W-08-F30	1
71	N/A	Pin t/støtteben	Stand foot pin	EFGC175.37	2
72	9068151	Støttefod	Stand foot weldment	EFGC175.23	1
73	9020537	Hårnålesplit	R pin 3.2	GB/T 91	2
74	9020543	Ringsplit	10x45 lock pin	-	3
75	9013741	Redskabsbolt 1/2	Down pin	BX42S-5	2
76	N/A	Skive, Ø22	Washer 22	GB/T97.1	2
77	N/A	Fjederskive, Ø22	Spring washer 22	GB/T93.1	2
78	N/A	Møtrik, M22	Nut M22	G/T6170	2
79	9050242	Bolt, M10x40	Bolt, M10x40	GB/T5783	2
80	N/A	Låsebeslag	Mechanical side plate	NBM175CR.35	1
81	N/A	Låsearm	Mechanical side plate1	NBM175.36	1
82	9050200	Skærmskive, 12 mm	Big washer 12 mm	GB/T 96	1
83	9068152	Hydraulik kit til 105, 155, 175cm	Hydraulic system	NBM200S.46	1

AHEAD NBM 200, 220
- Splittegning, hele maskinen

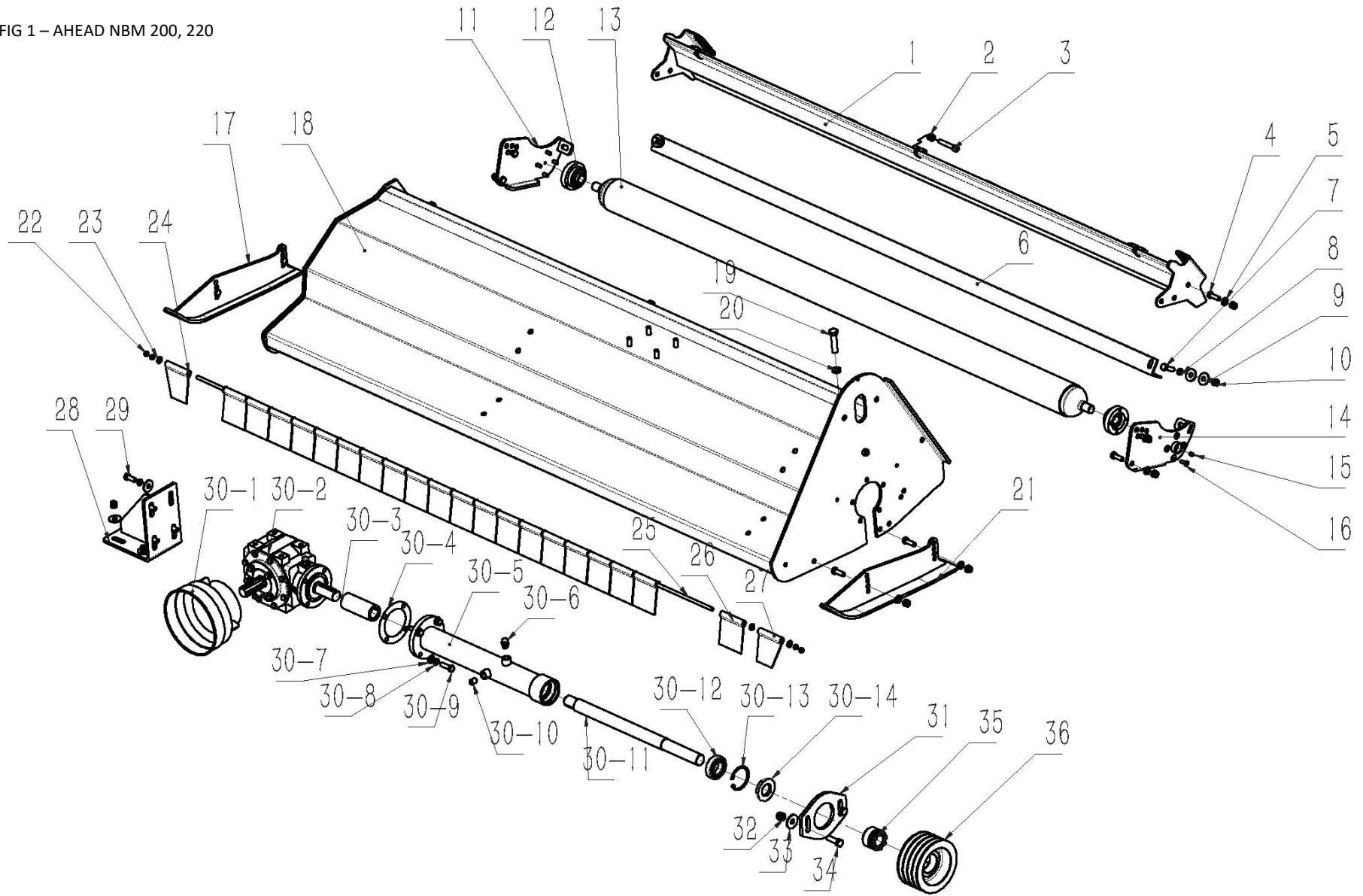


Kontakt
Tlf Salgsafdeling: 7021 2626
Tlf Teknisk support: 7696 2326

P. Lindberg A/S
Sdr. Ringvej 1
DK - 6600 Vejen

AHEAD NBM 9063089 m.fl. DKV1
www.p-lindberg.dk
e-mail: salg@p-lindberg.dk

FIG 1 – AHEAD NBM 200, 220



Kontakt
 Tlf Salgsafdeling: 7021 2626
 Tlf Teknisk support: 7696 2326

P. Lindberg A/S
 Sdr. Ringvej 1
 DK – 6600 Vejen

AHEAD NBM 9063089 m.fl. DKV1
 www.p-lindberg.dk
 e-mail: salg@p-lindberg.dk

DELE TIL FIG 1

Pos	Varenr / item no.	Varenavn	Item name	OE	stk/pcs
1	9068153	Bagklap, 200cm	Rear door weldment, 200cm	NBM200S.3	1
1	9068154	Bagklap, 220cm	Rear door weldment, 220cm	NBM220S.3	1
2	9050216	Låsemøtrik, M12	Locking nut M12	B-G00889A-12	25
3	N/A	Bolt, M12x65	Bolt M12x65	B-G00070A-12*65	3
4	9065784	Bolt, M12x35	Bolt M12x35	B-G057830-12*35	18
5	9050204	Planskive, Ø12	Washer M12	B-G00097A-12	30
6	9068155	Afskraber, 200cm	Mud scraper, 200cm	NBM200S.10	1
6	9068156	Afskraber, 220cm	Mud scraper, 220cm	NBM220S.10	1
7	9050251	Bolt, M12x40	Bolt M12x40	B-G057830-12*40	2
8	9050204	Planskive, Ø12	Washer M12	B-G000930-12	16
9	9050200	Skærmskive, Ø12	Big washer 12	B-G000960-12	12
10	9050216	Låsemøtrik, M12	Locking nut M12	B-G00889A-12	2
11	9068119	Lejeholder f/bagrulle, højre	Rear roller right connection	NBM220S.31	1
12	N/A	Leje, UC205	Bearing UC205	EFGC175.19B	2
13	9068157	Bagrulle, 200cm	Rear roller weldment, 200cm	NBM200S.12	1
13	9068158	Bagrulle, 220cm	Rear roller weldment, 220cm	NBM220S.12	1
14	9068120	Lejeholder f/bagrulle, venstre	Rear roller left connection	NBM220S.13	1
15	N/A	Fedtnippel, M8x1	Grease nipple M8x1	B-J07940A-8*1A	4
16	N/A	Skrue, 8x25	Screw M8x25	B-G00070C-8*25	8
17	9068121	Slæbesko, venstre	Skid, left	NBM175.4	1
18	N/A	Slaglekasse, 200cm	Mower deck weldment	NBM200.1IM	1
18	N/A	Slaglekasse, 220cm	Mower deck weldment	NBM220.1IM	1
19	N/A	Bolt, M16x1,5x50	Bolt M16x1.5x50	B-G057860-16*1.5*50	1
20	N/A	Møtrik (tynd), M16x1,5	Thin nut M16x1.5	B-G061730-M16*1.5	1
21	9068122	Slæbesko, højre	Skid, right	NBM175.5	1
22	9050208	Møtrik, M10	Nut M10	B-G06172A-10	4
23	9050203	Planskive, Ø10	Washer M10	B-G00097A-10	23
24	9068144	Flap, venstre	Fender left	EF100.00.122A	1
25	9068159	Aksel for flaps, 200cm	Fender shaft bar	NBM200S.19	1
25	9068160	Aksel for flaps, 220cm	Fender shaft bar	NBM220S.19	1
26	9068146	Flap, midte, 200cm	Fender middle	EF100.00.122	18

Kontakt

Tlf Salgsafdeling: 7021 2626

Tlf Teknisk support: 7696 2326

P. Lindberg A/S

Sdr. Ringvej 1

DK – 6600 Vejen

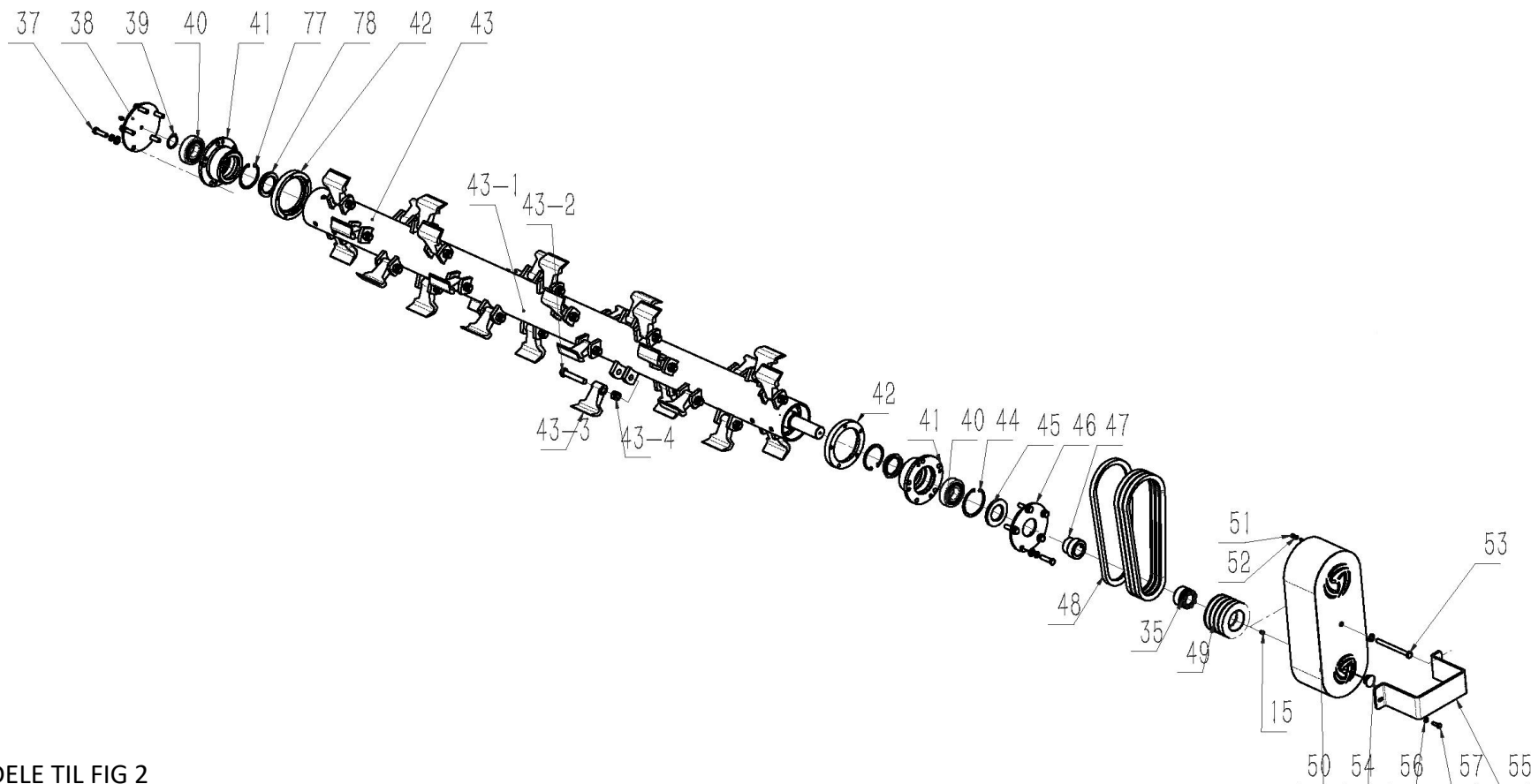
AHEAD NBM 9063089 m.fl. DKV1

www.p-lindberg.dk

e-mail: salg@p-lindberg.dk

Pos	Varenr / item no.	Varenavn	Item name	OE	stk/pcs
26	9068146	Flap, midte, 220cm	Fender middle	EF100.00.122	20
27	9068145	Flap, højre	Fender right	EF100.00.122B	1
28	N/A	Beslag for gearkasse	Gearbox bracket	EFGC175.14	1
29	9050250	Bolt, M12x30	Bolt M12x30	B-G057830-12*30	4
30	N/A	Gearkasse, komplet	Transmission system	NBM200S.9A	1
30-1	9068114	PTO-skærm, plast	PTO cover	FM150.120	1
30-2	9068161	Gearkasse, 200, 220cm	CMR gearbox	W-01-T10-101-50X	1
30-3	9064044	Trækmuffe	Connect bushing	EFGC175.9-2	1
30-4	9068125	Pakning	Gasket	EFGC175.9-1	1
30-5	9068162	Akselrør, 200, 220cm	Transmission tube	NBM200S.9.4	1
30-6	9068098	Udlufterbolt	Breath air bolt	EFGC175.10	1
30-7	9050204	Planskive, Ø12	Washer 12	B-G00097A-12	4
30-8	9050204	Planskive, Ø12	Washer 12	B-G000930-12	4
30-9	N/A	Skrue, 12x40	Screw M12x40	B-G00070A-12*40	4
30-10	N/A	Prop, NPT3/8	Plug NPT3/8	B-J044460-NPT3/8	1
30-11	9068163	Aksel	Shaft	NBM200.9-3	1
30-12	9038580	Leje, 6207-2RZ	Bearing 6207-2RZ	B-G002760-6207-2RZ	1
30-13	9068164	Låsering 72	Circlip 72	B-G00893A-72	1
30-14	9068165	Pakdåse, FB 35x72x8	Oil seal FB 35x72x8	B-G13871A-FB35*72*8	1
31	N/A	Remstrammer	Tension plate	EFGC175.29	1
32	9041419	Låsemøtrik, M14	Locking nut M14	B-G00889A-14	2
33	N/A	Skærmskive, Ø14	Big washer 14	B-G000960-14	2
34	N/A	Bolt, M14x45	Bolt M14x45	B-G057830-14*45	2
35	9064051	Taperlock	Power lock 04 type 35x60	B-J7934Z3-35*60	2
36	9068140	Stor remskive	Big pulley	EFGC175.31	1

FIG 2 – AHEAD NBM 200, 220

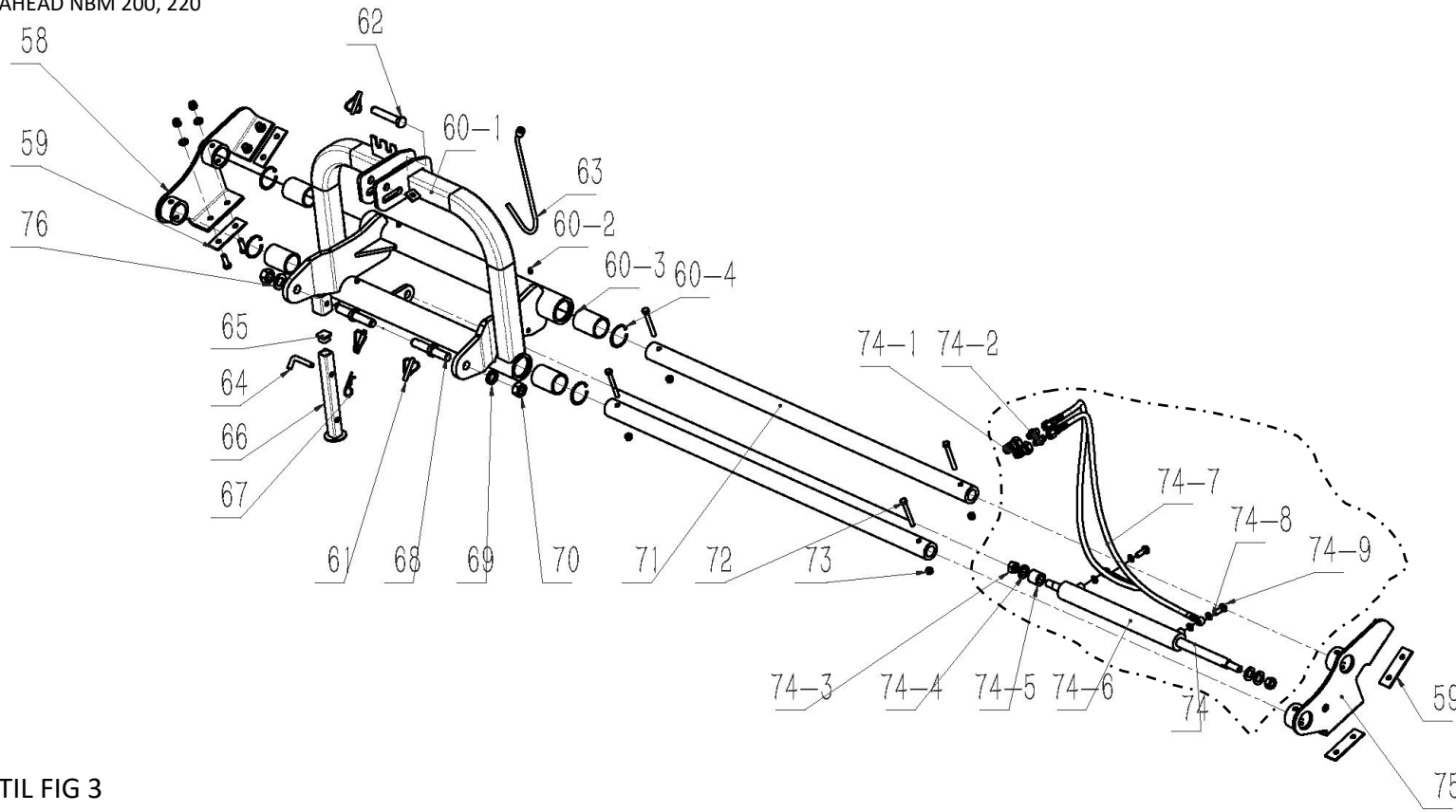


DELE TIL FIG 2

Pos	Varenr / item no.	Varenavn	Item name	OE	stk/pcs
15	N/A	Fedtnippel, M8x1	Grease nipple M8x1	B-J07940A-8*1A	4
35	9064051	Taperlock	Power lock 04 type 35x60	B-J7934Z3-35*60	2
37	9050251	Bolt, M12x40	Bolt M12x40	B-G057830-12*40	10
38	N/A	Cover	Cover	VBM220.33	1
39	N/A	Låsering 40	Circlip 40	B-G00894A-40	1
40	9068168	Leje 1308, 200, 220cm	Bearing 1308	B-G002810-1308	2

Pos	Varenr / item no.	Varenavn	Item name	OE	stk/pcs
41	N/A	Lejehus	Outside bearing seat	VBM220.34	2
42	N/A	Beskyttelsesring f/leje	Anti-grass ring	NBM220.16IM	2
43	9068166	Komplet aksel, inkl. slagler, 200cm	Rotor assemble, 200	NBM200.8A	1
43	9068167	Komplet aksel, inkl. slagler, 220cm	Rotor assemble, 220	NBM220.8A	1
43-1	N/A	Hovedaksel, 200cm	Rotor weldment, 200	NBM200.8IM	1
43-1	N/A	Hovedaksel, 220cm	Rotor weldment, 220	NBM220.8IM	1
43-2	9050264	Bolt, M16x1.5x85, 200cm	Bolt M16x1.5x85, 200	B-G057850-16*1.5*85	28
43-2	9050264	Bolt, M16x1.5x85, 220cm	Bolt M16x1.5x85, 220	B-G057850-16*1.5*85	30
43-3	9064047	Slagle, 200cm	Hammer, 200	NBM175.30	28
43-3	9064047	Slagle, 220cm	Hammer, 220	NBM175.30	30
43-4	9043086	Bolt, M16x1.5, 200cm	Bolt M16x1.5, 200	B-G00889B-16*1.5	28
43-4	9043086	Bolt, M16x1.5, 220cm	Bolt M16x1.5, 220	B-G00889B-16*1.5	30
44	N/A	Låsering 90	Circlip 90	B-G00893A-90	1
45	9068169	Pakdåse, FB 50x90x8	Oil seal FB50x90x8	B-G13871A-FB50*90*8	1
46	N/A	Cover 02	Cover 02	VBM220.36	1
47	N/A	Bøsning	Bushing	VBM220.37	1
48	9068170	Kilerem, AV17x991	Belt AV 17x991	B-G127320-17x991	4
49	9068171	Lille remskive	Small pulley	NBM220.47IM	1
50	9068172	Remkasse	Belt cover weldment	NBM220.7	1
51	9050206	Møtrik, M6	Nut M6	B-G00889A-6	1
52	9050197	Planskive, Ø6	Washer 6	B-G00097A-6	1
53	N/A	Bolt, M12x140	Bolt M12x140	B-G057820-12*140	1
54	N/A	Gummicover, rundt	Round rubber cover	W-08-Y25	1
55	9068173	Remskærm	Belt cover protection	NBM220S.25	1
56	9050198	Planskive, Ø8	Washer 8	B-G00097A-8	2
57	N/A	Bolt, M8x25	Bolt M8x25	B-G057830-8*25	2
77	N/A	Låsering 80	Circlip 80	B-G00893A-80	2
78	9068090	Pakdåse, FB 55x80x8	Oil seal, FB 55x80x8	B-G13871A-FB55*80*8	2

FIG 3 – AHEAD NBM 200, 220



DELE TIL FIG 3

Pos	Varenr / item no.	Varenavn	Item name	OE	stk/pcs
58	N/A	Venstre sidedæksel	Left connection bracket	NBM200S.29	1
59	N/A	Beslag	Plate	EFGC175.16	4
60-1	N/A	Ophæng	Top linkage weldment	NBM200S.2.1	1
60-2	N/A	Nylonbøsning	Nylon bushing	KDK220.30	4
60-3	N/A	Låsering 62	Circlip 62	B-G00893A-62	4
60-4	N/A	Fedtnippel, M8x1-304	Grease nipple M8x1-304	B-J07940A-8*1A	4
61	N/A	Låsestift 10	Lock pin 10	B-G043290-10	3
62	N/A	Redskabsbolt	Top pin	EFGC175.33	1
63	9068150	Krog	Hook	EFGC175.34	1

Kontakt
 Tlf Salgsafdeling: 7021 2626
 Tlf Teknisk support: 7696 2326

P. Lindberg A/S
 Sdr. Ringvej 1
 DK – 6600 Vejen

AHEAD NBM 9063089 m.fl. DKV1
 www.p-lindberg.dk
 e-mail: salg@p-lindberg.dk

Pos	Varenr / item no.	Varenavn	Item name	OE	stk/pcs
64	N/A	Pin for støttefod	Stand feet pin	EFGC175.37	1
65	9068174	Plasticprop, firkantet	Square rubber plug	W-08-F30	1
66	9068151	Støttefod	Stand feet weldment	EFGC175.23	1
67	9020537	Hårnålesplit	R pin 3.2	EFGC125.110	1
68	9013741	Redskabsbolt	Down pin	BX42S-5	2
69	N/A	Fjederskive, Ø22	Spring washer 22	B-G000930-22	2
70	N/A	Møtrik, M22	Nut M22	B-G061700-22	2
71	N/A	Gliderør, langt	Long lead rail	KDK140.19	2
72	N/A	Bolt, M10x90	Bolt M10x90	B-G057820-10*90	4
73	9050215	Låsemøtrik, M10	Locking nut M10	B-G00889A-10	4
74	9068152	Hydraulik kit til 200, 220cm	Hydraulic system	NBM200S.46	1
74-1	N/A	Lynkobling	Quick couple G1/2	B-G058620-L-G1/2	2
74-2	N/A	Kobling G1/2-M14x1,5	End straight connector G1/2-M14x1.5	W-05-GE08LR1/2ED	2
74-3	N/A	Bolt M18x1,5	Bolt Nut M18x1.5	B-G061730-M18*1.5	3
74-4	N/A	Planskive, Ø18	Washer 18	B-G00097A-18	3
74-5	9064052	Bøsning	Bushing	EFGCH125.101	1
74-6	N/A	Cylinder	Cylinder	EFGCH125.011	1
74-7	9068148	Hydraulikslange	Oil pipe (long)	EFGCH125.012	2
74-8	N/A	Skive	Combination washer 12	B-J009820-12	4
74-9	N/A	Hængselbolt, M12x1,25x30	Hinge bolt M12x1.25x30	B-J009990-12*1.25*30	2
75	N/A	Højre sidedæksel	Right connection bracket	NBM200S.28	1
76	N/A	Skive, Ø22	Washer 22	B-G00097Z-22	2

Vi forbeholder os ret til uden foregående varsel at ændre de tekniske parametre og specifikationer for dette produkt

Kontakt
Tlf Salgsafdeling: 7021 2626
Tlf Teknisk support: 7696 2326

P. Lindberg A/S
Sdr. Ringvej 1
DK – 6600 Vejen

AHEAD NBM 9063089 m.fl. DKV1
www.p-lindberg.dk
e-mail: salg@p-lindberg.dk