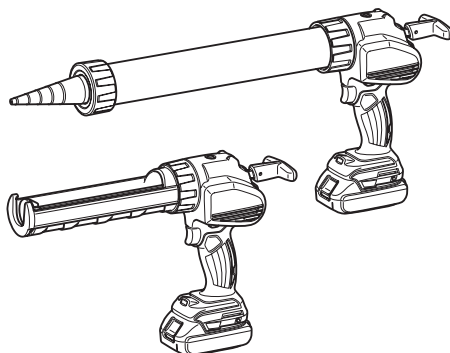




EN	Cordless Caulking Gun	INSTRUCTION MANUAL	5
SV	Sladdlös fogspruta	BRUKSANVISNING	11
NO	Trådløs tettingspistol	BRUKSANVISNING	17
FI	Akkukäyttöinen tiivistemassapuristin	KÄYTTÖOHJE	23
LV	Bezvadu blīvēšanas pistole	LIETOŠANAS INSTRUKCIJA	29
LT	Belaidis užpildo pistoletas	NAUDOJIMO INSTRUKCIJA	35
ET	Juhtmevaba vuugitäitepüstol	KASUTUSJUHEND	41
RU	Аккумуляторный Пистолет Для Герметика	РУКОВОДСТВО ПО ЭКСПЛУАТАЦИИ	47

DCG140
DCG180



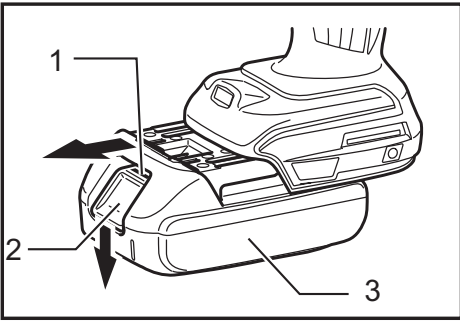


Fig.1

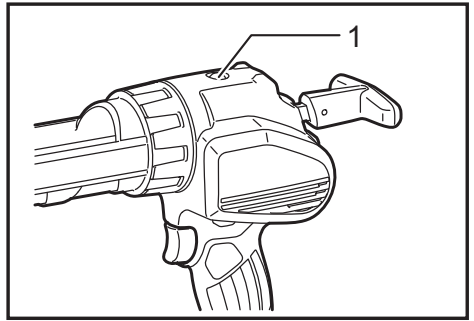


Fig.5

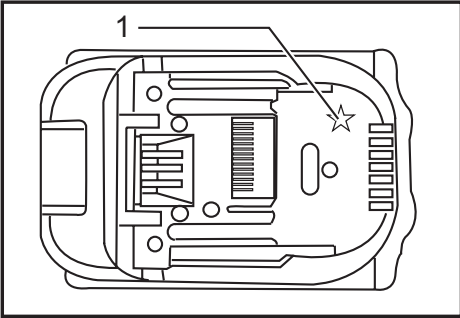


Fig.2

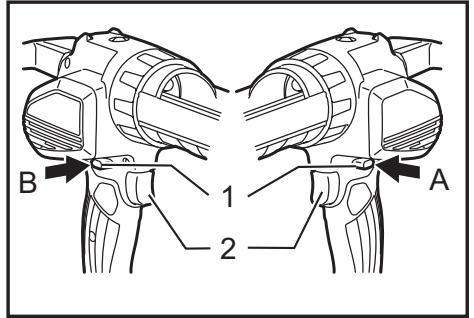


Fig.6

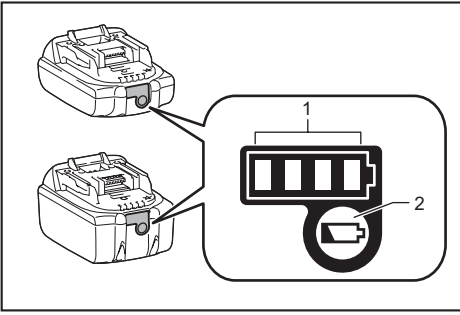


Fig.3

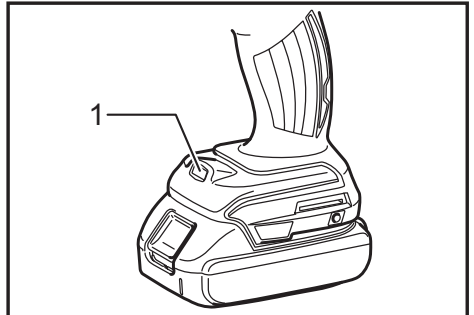


Fig.7

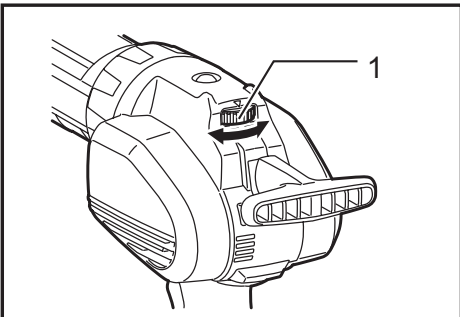


Fig.4

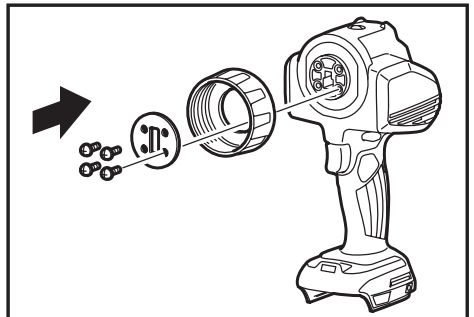


Fig.8

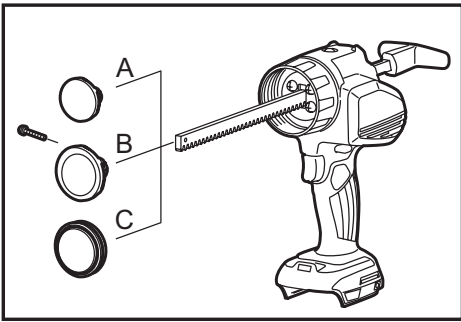


Fig.9

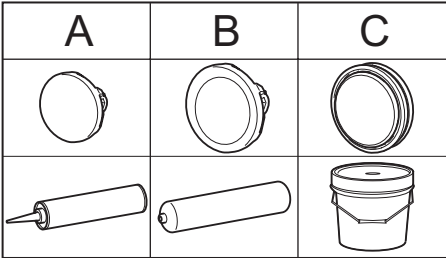


Fig.10

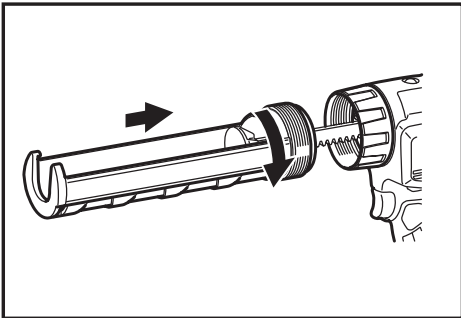


Fig.11

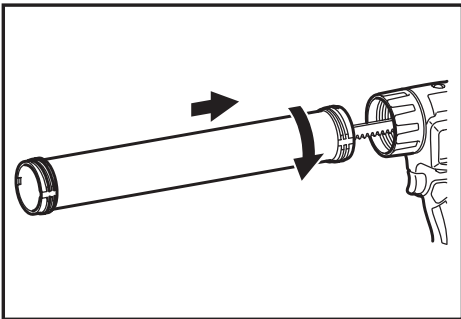


Fig.12

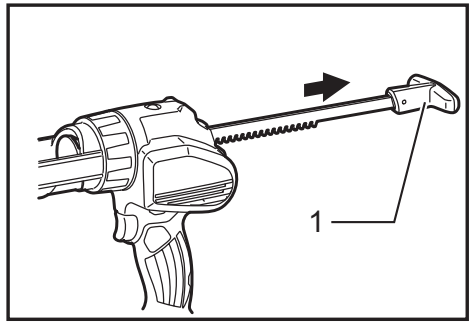


Fig.13

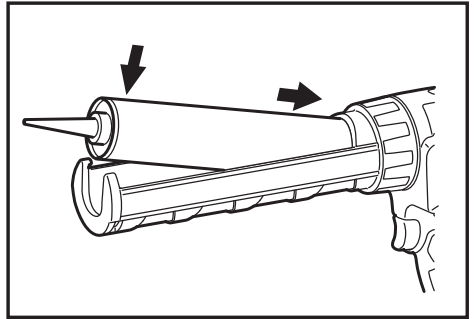


Fig.14

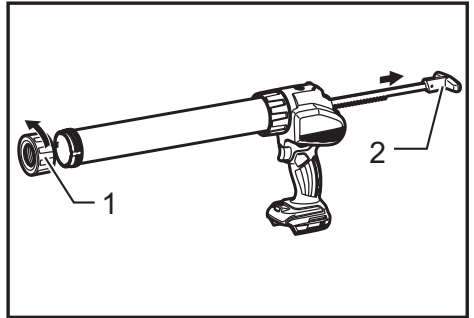


Fig.15

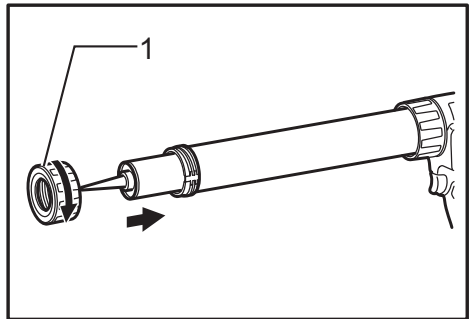


Fig.16

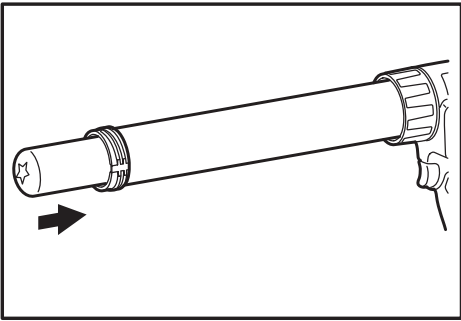


Fig.17

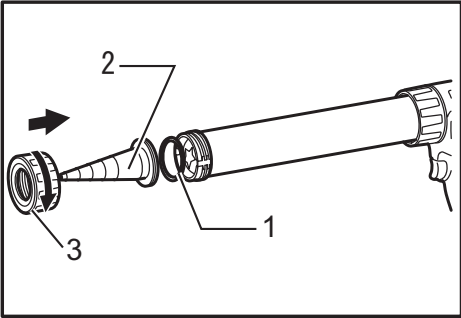


Fig.18

SPECIFICATIONS

Model		DCG140		DCG180	
Max feed force		5,000 N			
Feed speed		0 - 28 mm/s			
Stroke	with short (300 ml) holder	214 mm			
	with long (600 ml) holder	350 mm			
Overall length	with short (300 ml) holder	404 mm			
	with long (600 ml) holder	538 mm			
Standard battery cartridge		BL 1415 / BL 1415N	BL 1430 / BL 1430B / BL 1440 / BL 1450 / BL 1460B	BL 1815 / BL 1815N / BL 1820 / BL 1820B	BL 1830 / BL 1830B / BL 1840 / BL 1840B / BL 1850 / BL 1850B / BL 1860B
Net weight	with short (300 ml) holder	2.0 kg	2.2 kg	2.1 kg	2.3 kg
	with long (600 ml) holder	2.4 kg	2.6 kg	2.5 kg	2.7 kg
Rated voltage		D.C. 14.4 V		D.C. 18 V	

- Due to our continuing program of research and development, the specifications herein are subject to change without notice.
- Specifications and battery cartridge may differ from country to country.
- Weight, with battery cartridge, according to EPTA-Procedure 01/2003

Intended use

This tool is intended for applying caulking material to surface.

Noise

The typical A-weighted noise level determined according to EN60745:

Sound pressure level (L_{pA}): 70 dB (A) or less
Uncertainty (K): 3 dB (A)

The noise level under working may exceed 80 dB (A)

Wear ear protection

Vibration

The vibration total value (tri-axial vector sum) determined according to EN60745:

Vibration emission (a_h): 2.5 m/s² or less
Uncertainty (K): 1.5 m/s²

NOTE: The declared vibration emission value has been measured in accordance with the standard test method and may be used for comparing one tool with another.

NOTE: The declared vibration emission value may also be used in a preliminary assessment of exposure.

⚠WARNING: The vibration emission during actual use of the power tool can differ from the declared emission value depending on the ways in which the tool is used.

⚠WARNING: Be sure to identify safety measures to protect the operator that are based on an estimation of exposure in the actual conditions of use (taking account of all parts of the operating cycle such as the times when the tool is switched off and when it is running idle in addition to the trigger time).

For European countries only

EC Declaration of Conformity

Makita declares that the following Machine(s):

Designation of Machine:
Cordless Caulking Gun
Model No./ Type: DCG140, DCG180

Conforms to the following European Directives:
2006/42/EC

They are manufactured in accordance with the following standard or standardized documents:
EN60745

The technical file in accordance with 2006/42/EC is available from:

Makita, Jan-Baptist Vinkstraat 2, 3070, Belgium

31.12.2013



Yasushi Fukaya
Director

Makita, Jan-Baptist Vinkstraat 2, 3070, Belgium

General Power Tool Safety Warnings

⚠WARNING Read all safety warnings and all instructions. Failure to follow the warnings and instructions may result in electric shock, fire and/or serious injury.

Save all warnings and instructions for future reference.

CORDLESS CAULKING GUN SAFETY WARNINGS

1. Keep hands and clothes away from the rod and the plunger area. Otherwise your finger or clothes may be pinched.
2. Always be sure you have a firm footing.
3. Hold the tool firmly.
4. Always work in well ventilated area and wear proper protections in accordance with the operation.
5. Read and follow the manufacture's instructions on caulking material or adhesive material before usage.

SAVE THESE INSTRUCTIONS.

⚠WARNING: DO NOT let comfort or familiarity with product (gained from repeated use) replace strict adherence to safety rules for the subject product. MISUSE or failure to follow the safety rules stated in this instruction manual may cause serious personal injury.

Important safety instructions for battery cartridge

1. Before using battery cartridge, read all instructions and cautionary markings on (1) battery charger, (2) battery, and (3) product using battery.
2. Do not disassemble battery cartridge.
3. If operating time has become excessively shorter, stop operating immediately. It may result in a risk of overheating, possible burns and even an explosion.
4. If electrolyte gets into your eyes, rinse them out with clear water and seek medical attention right away. It may result in loss of your eyesight.
5. Do not short the battery cartridge:
 - (1) Do not touch the terminals with any conductive material.
 - (2) Avoid storing battery cartridge in a container with other metal objects such as nails, coins, etc.
 - (3) Do not expose battery cartridge to water or rain.

A battery short can cause a large current flow, overheating, possible burns and even a breakdown.
6. Do not store the tool and battery cartridge in locations where the temperature may reach or exceed 50 °C (122 °F).
7. Do not incinerate the battery cartridge even if it is severely damaged or is completely worn out. The battery cartridge can explode in a fire.
8. Be careful not to drop or strike battery.
9. Do not use a damaged battery.

10. The contained lithium-ion batteries are subject to the Dangerous Goods Legislation requirements.

For commercial transports e.g. by third parties, forwarding agents, special requirement on packaging and labeling must be observed. For preparation of the item being shipped, consulting an expert for hazardous material is required. Please also observe possibly more detailed national regulations.
Tape or mask off open contacts and pack up the battery in such a manner that it cannot move around in the packaging.

11. Follow your local regulations relating to disposal of battery.
12. Use the batteries only with the products specified by Makita. Installing the batteries to non-compliant products may result in a fire, excessive heat, explosion, or leak of electrolyte.

SAVE THESE INSTRUCTIONS.

⚠CAUTION: Only use genuine Makita batteries. Use of non-genuine Makita batteries, or batteries that have been altered, may result in the battery bursting causing fires, personal injury and damage. It will also void the Makita warranty for the Makita tool and charger.

Tips for maintaining maximum battery life

1. Charge the battery cartridge before completely discharged. Always stop tool operation and charge the battery cartridge when you notice less tool power.
2. Never recharge a fully charged battery cartridge. Overcharging shortens the battery service life.
3. Charge the battery cartridge with room temperature at 10 °C - 40 °C (50 °F - 104 °F). Let a hot battery cartridge cool down before charging it.
4. Charge the battery cartridge if you do not use it for a long period (more than six months).

FUNCTIONAL DESCRIPTION

⚠ CAUTION:

- Always be sure that the tool is switched off and the battery cartridge is removed before adjusting or checking function on the tool.

Installing or removing battery cartridge

► Fig.1: 1. Red indicator 2. Button 3. Battery cartridge

⚠ CAUTION:

- Always switch off the tool before installing or removing of the battery cartridge.
- Hold the tool and the battery cartridge firmly when installing or removing battery cartridge. Failure to hold the tool and the battery cartridge firmly may cause them to slip off your hands and result in damage to the tool and battery cartridge and a personal injury.

To remove the battery cartridge, slide it from the tool while sliding the button on the front of the cartridge. To install the battery cartridge, align the tongue on the battery cartridge with the groove in the housing and slip it into place. Insert it all the way until it locks in place with a little click. If you can see the red indicator on the upper side of the button, it is not locked completely.

⚠ CAUTION:

- Always install the battery cartridge fully until the red indicator cannot be seen. If not, it may accidentally fall out of the tool, causing injury to you or someone around you.
- Do not install the battery cartridge forcibly. If the cartridge does not slide in easily, it is not being inserted correctly.

Battery protection system

The tool is equipped with a battery protection system. This system automatically cuts off power to the motor to extend battery life. The tool will automatically stop during operation if the tool and/or battery are placed under one of the following conditions:

- **Overloaded:**
The tool is operated in a manner that causes it to draw an abnormally high current. In this situation, release the switch trigger on the tool and stop the application that caused the tool to become overloaded. Then pull the switch trigger again to restart. If the tool does not start, the battery is overheated. In this situation, let the battery cool before pulling the switch trigger again.
- **Low battery voltage:**
The remaining battery capacity is too low and the tool will not operate. In this situation, remove and recharge the battery.

NOTE: The overheat protection works only with a battery cartridge with a star mark.








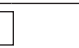






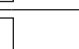

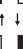

► Fig.2: 1. Star marking

Indicating the remaining battery capacity

Only for battery cartridges with the indicator

► Fig.3: 1. Indicator lamps 2. Check button

Press the check button on the battery cartridge to indicate the remaining battery capacity. The indicator lamps light up for a few seconds.

Indicator lamps			Remaining capacity
 Lighted	 Off	 Blinking	
			75% to 100%
			50% to 75%
			25% to 50%
			0% to 25%
			Charge the battery.
			The battery may have malfunctioned.
			

NOTE: Depending on the conditions of use and the ambient temperature, the indication may differ slightly from the actual capacity.

Speed adjusting dial

► Fig.4: 1. Speed adjusting dial

The tool speed can be adjusted by turning the dial. Higher speed is obtained when the dial is turned in the direction of number 5, lower speed is obtained when it is turned in the direction of number 1.

NOTE:

- The speed adjusting dial can be turned only as far as 5 and back to 1. Do not force it past 5 or 1, or the speed adjusting function may no longer work.
- Depending on the type and conditions of caulking material, it may not be fed at low speed. In this case, set the speed adjusting dial higher.

Overload warning lamp

► Fig.5: 1. Warning lamp

The warning lamp flickers in red when the tool is overloaded. If the load reaches some point, the lamp keeps lighting in red and the tool stops. To restart the tool, release the trigger and pull the trigger again.

NOTE: Check what causes the overload when the lamp flickers or lights up. Change the parameter of the speed adjusting dial lower, or increase the diameter of the nozzle.

Switch action

⚠ CAUTION:

- Before inserting the battery cartridge into the tool, always check to see that the switch trigger actuates properly and returns to the "OFF" position when released.
- When not operating the tool, push the trigger-lock button from A side to lock the switch trigger in the OFF position.

► Fig.6: 1. Lock lever 2. Switch trigger

To prevent the switch trigger from accidentally pulled, the trigger-lock button is provided.

To start the tool, push the trigger-lock button from B side and pull the switch trigger. Tool speed is increased by increasing pressure on the switch trigger. Release the switch trigger to stop.

After use, press in the trigger-lock button from A side.

Lighting up the lamp

⚠ CAUTION:

- Do not look in the light or see the source of light directly.

► Fig.7: 1. Lamp

Pull the switch trigger to light up the lamp. The lamp keeps on lighting while the switch trigger is being pulled. The lamp goes out approximately 10 seconds after the switch trigger is released.

NOTE:

- Use a dry cloth to wipe the dirt off the lens of lamp. Be careful not to scratch the lens of lamp, or it may lower the illumination.
- When the tool is overheated, the lamp flickers. Cool down the tool fully before operating again.

Drip preventive function

The motor keeps running for a short time even after the trigger is released. It releases the pressure of the caulking material and prevents dripping.

ASSEMBLY

⚠ CAUTION:

- Always be sure that the tool is switched off and the battery cartridge is removed before carrying out any work on the tool.
- Always place the tool on the ground or work-bench when carrying out any assembling work. The tool without being held tight may loose balance and cause injury.

Installing holder joint

► Fig.8

Attach the holder joint firmly along the tool, set the plate, and fix them with screws tightly.

To remove the holder joint, follow above procedure in reverse.

NOTE:

- There are two types of holders (optional accessory), short holder (300ml) and long holder (600ml). Use appropriate holder joint accordingly.

Installing rod and piston

► Fig.9

► Fig.10

Insert the rod into the slit of the tool.

Attach the piston and tighten it with a screw.

To remove the rod and piston, follow the installation procedure in reverse.

NOTICE:

- The teeth on the rod must point down.
- There are three types of pistons. Piston A for cartridges. Piston B for film type packs. Piston C for direct filling.
- Choose appropriate piston in accordance with the type of caulking material container. Improper piston may cause leakage or tool breakage.
- There are two types of rods. The short rod for the short holder (300ml), and the long rod for long holder (600ml). Use appropriate rod in accordance with holder type.
- Always keep the rod and piston clean. Adhering caulk may damage the tool.

Installing holder

► Fig.11

► Fig.12

Hold the bottom of the holder and the holder joint, then turn the holder clockwise. Tighten it firmly until it stops. Make sure the holder is tightened firmly. Otherwise the tool may be damaged.

To remove the holder, turn it counter clockwise.

NOTE:

- You can rotate the holder in accordance with required situations to facilitate the operation.
- The short holder (300ml) is intended for the cartridges only. Use only piston A with short holder (300ml), and do not use it with film type packs or direct filling. Also use appropriate rod in accordance with the holder type.

Installing cartridge

NOTICE:

- Make sure the piston A is attached to the rod. Do not use other type of piston for cartridge.

Installing the cartridge into the short holder (300ml)

► **Fig.13:** 1. Rod handle

Pull the rod handle backwards slowly until it stops.

► **Fig.14**

Insert the cartridge into the holder as illustrated.

Push the rod gently until the piston touches the bottom of the cartridge.

To remove the cartridge, pull the rod backwards until it stops, then lift out the cartridge.

Installing the cartridge into the long holder (600ml)

► **Fig.15:** 1. Holder cap 2. Rod handle

Remove the holder cap from the holder.

Pull the rod handle backwards slowly until it stops.

► **Fig.16:** 1. Holder cap

Insert the cartridge into the holder.

Attach the holder cap. Make sure it is tightened firmly. Push the rod gently until the piston touches the bottom of the cartridge.

To remove the cartridge, remove the holder cap, then take out the cartridge.

NOTICE:

- Always check the cartridge for puncture or damage before installing. Do not use damaged cartridge, otherwise the tool may be damaged.
- When using a partially used cartridge, remove any adhered material on the cartridge.

Installing film type pack

NOTICE:

- Make sure the piston B is attached to the rod. Do not use other type of piston for film type pack.
- Film type pack can be installed in the long holder (600ml) only.

Remove the holder cap, the nozzle and the rubber ring from the holder.

Pull the rod handle backwards slowly until it stops.

► **Fig.17**

Cut off the tip of the film type pack.

Insert the film type pack into the holder.

► **Fig.18:** 1. Rubber ring 2. Nozzle 3. Holder cap

Attach the rubber ring, the nozzle and the holder cap.

Make sure holder cap is tightened firmly.

Push the rod gently until the piston touches the bottom of the film type pack.

NOTE:

- Always check the film type pack for puncture or damage before installing. Do not use damaged pack, otherwise the tool may be damaged.

Direct filling

NOTICE:

- Make sure the piston C is attached to the rod. Do not use other type of piston for direct filling.
- Direct filling can only be performed with the long holder (600ml).

Remove the holder cap, the nozzle and the rubber ring from the holder.

Make sure the rod handle is placed at the most front position.

Dip the mouth of the holder into the caulking material.

Pull the rod handle slowly until required amount of caulking material is filled in the holder.

Attach the rubber ring, the nozzle and the holder cap.

Make sure holder cap is tightened firmly.

NOTICE:

- Clean the holder with appropriate solvent after every day's work. Otherwise adhered caulking material may cause tool breakage.

OPERATION

CAUTION:

- Do not touch the rod during operation. Otherwise your finger may be pinched between the rod and the housing of the tool.
- Always wear goggles during operation.

NOTICE:

- Do not cover vents, or it may cause overheating and damage to the tool.
- If you can not pull out the rod, turn the speed adjusting dial to 1, and pull the switch trigger for a moment, and try to pull the rod out after the motor stopped. If the rod is still clogged, perform the same action until the rod is able to move.

Cut off the tip of the nozzle suitable for individual operation. Be careful how much you cut the nozzle. The diameter of the nozzle affects the amount of caulking material dispensed.

Pull the trigger to dispense caulking material.

The amount of the caulking material dispensed is determined by the trigger, the speed adjusting dial, the diameter of the nozzle opening, caulking material type, and temperature. It is recommended that the speed adjusting dial is set to '1' and pull the trigger slowly at the first time to test how much amount of caulking material is dispensed.

When the rod reaches front end, the motor starts idling. Replace the caulking material when it happens.

NOTE: If the caulking material is not dispensed, check the following items:

- Nozzle tip is not cut adequately. Cut the nozzle tip suitable for individual operation.
- Hardened material gets clogged in the nozzle. Remove the hardened material.
- The cartridge is damaged. Replace the cartridge.
- Caulking material is stiff. Warm the material until it becomes soft.
- The wrong piston is used. Use appropriate piston.

MAINTENANCE

⚠ CAUTION:

- Always be sure that the tool is switched off and the battery cartridge is removed before attempting to perform inspection or maintenance except for the following troubleshooting related to the light.
- Never use gasoline, benzine, thinner, alcohol or the like. Discoloration, deformation or cracks may result.
- Clean the holder and the rod after every day's work. Keep them free from the adhesive material. Remove the caulking material before it hardens. Remained adhesive material may cause breakage of the tool.

To maintain product SAFETY and RELIABILITY, repairs, carbon brush inspection and replacement, any other maintenance or adjustment should be performed by Makita Authorized Service Centers, always using Makita replacement parts.

OPTIONAL ACCESSORIES

⚠ CAUTION:

- These accessories or attachments are recommended for use with your Makita tool specified in this manual. The use of any other accessories or attachments might present a risk of injury to persons. Only use accessory or attachment for its stated purpose.

If you need any assistance for more details regarding these accessories, ask your local Makita Service Center.

- Piston A
- Piston B
- Piston C
- Short holder (300ml) set
- Long holder (600ml) set
- Nozzle
- Safety goggles
- Makita genuine battery and charger

NOTE:

- Some items in the list may be included in the tool package as standard accessories. They may differ from country to country.

SPECIFIKATIONER

Modell		DCG140		DCG180	
Maximal matningskraft		5 000 N			
Matningshastighet		0 - 28 mm/s			
Slaglängd	med kort (300 ml) hållare	214 mm			
	med lång (600 ml) hållare	350 mm			
Total längd	med kort (300 ml) hållare	404 mm			
	med lång (600 ml) hållare	538 mm			
Standard batterikassett		BL1415 / BL1415N	BL1430 / BL1430B / BL1440 / BL1450 / BL1460B	BL1815 / BL1815N / BL1820 / BL1820B	BL1830 / BL1830B / BL1840 / BL1840B / BL1850 / BL1850B / BL1860B
Vikt	med kort (300 ml) hållare	2,0 kg	2,2 kg	2,1 kg	2,3 kg
	med lång (600 ml) hållare	2,4 kg	2,6 kg	2,5 kg	2,7 kg
Märkspänning		14,4 V likström		18 V likström	

- På grund av vårt pågående program för forskning och utveckling kan dessa specifikationer ändras utan föregående meddelande.
- Specifikationer och batterikassett kan variera från land till land.
- Vikt med batterikassett i enlighet med EPTA-procedur 01/2003

Avsedd användning

Denna maskin är avsedd för att lägga tätningssmassa på en yta.

Buller

Typiska A-vägda bullernivån är mätt enligt EN60745:
Ljudtrycksnivå (L_{pA}): 70 dB (A) eller lägre
Måttolerans (K): 3 dB (A)

Bullernivån vid arbete kan överstiga 80 dB (A).

Använd hörselskydd

Vibration

Vibrationens totalvärde (tre-axlars vektorsumma) mätt enligt EN60745:

Vibrationsemission (a_{h1}): 2,5 m/s² eller lägre
Måttolerans (K): 1,5 m/s²

OBS: Det deklarerade vibrationsemissionsvärdet har uppmätts i enlighet med standardtestmetoden och kan användas för jämförandet av en maskin med en annan.

OBS: Det deklarerade vibrationsemissionsvärdet kan också användas i preliminär bedömning av exponering för vibration.

⚠ VARNING: Vibrationsemissionen under faktisk användning av maskinen kan skilja sig från det deklarerade emissionsvärdet, beroende på hur maskinen används.

⚠ VARNING: Se till att hitta säkerhetsåtgärder som kan skydda användaren och som grundar sig på en uppskattning av exponering i verkligheten (ta med i beräkningen alla delar av användandet såsom antal gånger maskinen är avstängd och när den körs på tomgång samt då startomkopplaren används).

Gäller endast Europa

EU-konformitetsdeklaration

Makita försäkrar att följande maskiner:

Maskinbeteckning:
Sladdlös fogspruta
Modellnummer/Typ: DCG140, DCG180

Följer följande EU-direktiv:

2006/42/EC

De är tillverkade i enlighet med följande standard eller standardiseringsdokument:

EN60745

Den tekniska dokumentationen i enlighet med 2006/42/EG finns tillgänglig från:

Makita, Jan-Baptist Vinkstraat 2, 3070, Belgium

31.12.2013



Yasushi Fukaya
Direktör

Makita, Jan-Baptist Vinkstraat 2, 3070, Belgium

Allmänna säkerhetsvarningar för maskin

⚠ VARNING Läs igenom alla säkerhetsvarningar och instruktioner. Underlåtenhet att följa varningar och instruktioner kan leda till elektrisk stöt, brand och/eller allvariga personskador.

Spara alla varningar och instruktioner för framtida referens.

SÄKERHETSVARNINGAR RÖRANDE SLADDLÖS FOGSPRUTA

1. Håll händer och klädesplagg borta från stängen och kolvens område Annars kan ditt finger eller kläder råka i kläm
2. Se till att alltid ha ordentligt fotfäste.
3. Håll stadigt i maskinen.
4. Arbeta alltid i ett välventilerat område och bär lämplig skyddsutrustning under arbetet.
5. Läs igenom tillverkarens instruktioner rörande tätnings- eller lim-material före användning.

SPARA DESSA ANVISNINGAR.

⚠VARNING: GLÖM INTE att noggrant följa säkerhetsanvisningarna för maskinen även efter det att du har blivit van att använda den. **OVARSAM** hantering eller underlåtenhet att följa säkerhetsanvisningarna i denna bruksanvisning kan leda till allvarliga personsador.

Viktiga säkerhetsanvisningar för batterikassetten

1. Innan batterikassetten används ska alla instruktioner och varningsmärken på (1) batteriladdaren, (2) batteriet och (3) produkten läsas.
2. Montera inte isär batterikassetten.
3. Om drifttiden blivit avsevärt kortare ska användningen avbrytas omedelbart. Det kan uppstå överhettning, brännskador och t o m en explosion.
4. Om du får elektrolyt i ögonen ska de sköljas med rent vatten och läkare uppsökas omedelbart. Det finns risk för att synen förloras.
5. Kortslut inte batterikassetten.
 - (1) Rör inte vid polerna med något strömförande material.
 - (2) Undvik att förvara batterikassetten tillsammans med andra metallobjekt som t.ex. spikar, mynt o.s.v.
 - (3) Skydda batteriet mot vatten och regn. En batterikortslutning kan orsaka ett stort strömlöde, överhettning, brand och maskinhaveri.
6. Förvara inte maskinen och batterikassetten på platser där temperaturen kan nå eller överstiga 50 °C.
7. Bränn inte upp batterikassetten även om den är svårt skadad eller helt utsliten. Batterikassetten kan explodera i öppen eld.
8. Var försiktig så att du inte råkar tappa batteriet och utsätt det inte för stötar.
9. Använd inte ett skadat batteri.

10. De medföljande litiumjonbatterierna är föremål för kraven i gällande lagstiftning för farligt gods.
För kommersiella transporter (av t.ex. tredje parter som speditorsfirmor) måste de särskilda transportkrav som anges på emballaget och etiketter iakttas.
För att förbereda den produkt som ska avsändas krävs att du konsulterar en expert på riskmaterial. Var också uppmärksam på att det i ditt land kan finnas ytterligare föreskrifter att följa.
Tejpa över eller maskera blottade kontakter och packa batteriet på sådant sätt att det inte kan röra sig fritt i förpackningen.
11. Följ lokala föreskrifter beträffande avfallshandling av batteriet.
12. Använd endast batterierna med de produkter som specificerats av Makita. Att använda batterierna med ej godkända produkter kan leda till brand, överdriven värme, explosion eller utläckande elektrolyt.

SPARA DESSA ANVISNINGAR.

⚠FÖRSIKTIGT: Använda endast äkta Makita-batterier. Användning av oäkta Makita-batterier eller batterier som har manipulerats kan leda till person- och utrustningsskador eller till att batteriet fattar eld. Det upphäver också Makitas garanti för verktyget och laddaren.

Tips för att uppnå batteriets maximala livslängd

1. Ladda batterikassetten innan den är helt urladdad. Stanna alltid maskinen och ladda batterikassetten när du märker att maskinen blir svagare.
2. Ladda aldrig en fulladdad batterikasset. Överladdning förkortar batteriets livslängd.
3. Ladda batterikassetten vid en rumstemperatur på 10 °C - 40 °C. Låt en varm batterikasset svalna innan den laddas.
4. Ladda batterikassetten om du inte har använt den på länge (mer än sex månader).

FUNKTIONSBESKRIVNING

⚠ FÖRSIKTIGT:

- Se alltid till att maskinen är avstängd och batterikassetten borttagen innan du justerar eller kontrollerar maskinens funktioner.

Montera eller demontera batterikassetten

► Fig.1: 1. Röd indikator 2. Knapp 3. Batterikassett

⚠ FÖRSIKTIGT:

- Stäng alltid av maskinen innan du monterar eller tar bort batterikassetten.
- Håll stadigt i maskinen och batterikassetten när du monterar eller tar bort batterikassetten. I annat fall kan det leda till att de glider ur dina händer och orsakar skada på maskinen och batterikassetten samt personskada.

Ta bort batterikassetten genom att skjuta ner knappen på kassetten framsida samtidigt som du drar ut batterikassetten.

Sätt i batterikassetten genom att rikta in tungan på batterikassetten mot spåret i höljet och skjut den på plats. Tryck in batterikassetten ordentligt tills den låser fast med ett klick. Om du kan se den röda indikatorn på knappens ovansida är batterikassetten inte låst ordentligt.

⚠ FÖRSIKTIGT:

- Sätt alltid i batterikassetten helt tills den röda indikatorn inte längre syns. I annat fall kan den oväntat falla ur maskinen och skada dig eller någon annan.
- Montera inte batterikassetten med våld. Om kassetten inte lätt glider på plats är den felinsatt.

Skyddssystem för batteri

Maskinen är utrustad med ett batteriskyddssystem. Detta system bryter automatiskt strömmen till motorn för att förlänga batteriets livslängd.

Maskinen stanna automatiskt under användningen om maskinen och/eller batteriet hamnar i en av följande situationer:

- Överbelastad:
Maskinen används på ett sätt som orsakar att den förbrukar onormalt mycket ström. I detta läge släpper du avtryckaren på maskinen och stoppar aktiviteten som orsakar att maskinen blir överbelastad. Tryck sedan in avtryckaren igen för att starta om. Om maskinen inte startar är batteriet överhettat. Låt då batteriet svalna innan du trycker in avtryckaren igen.
- Batterispänningen faller:
Den kvarvarande batterikapaciteten är för låg och maskinen fungerar inte. I detta läge tar du bort batteriet och laddar det.

OBS: Överhettningsskyddet fungerar endast med en stjärnmärkt batterikassett.

► Fig.2: 1. Stjärnmarkering

Indikerar kvarvarande batterikapacitet

Endast för batterikassetter med indikator

► Fig.3: 1. Indikatorlampor 2. Kontrollknapp

Tryck på kontrollknappen på batterikassetten för att se kvarvarande batterikapacitet. Indikatorlamporna lyser i ett par sekunder.

Indikatorlampor			Kvarvarande kapacitet
■ Upplyst	□ Av	◐ Bliks	
■ ■ ■ ■			75% till 100%
■ ■ ■ □			50% till 75%
■ ■ □ □			25% till 50%
■ □ □ □			0% till 25%
◐ □ □ □			Ladda batteriet.
■ ■ □ □		↑ ↓	Batteriet kan ha skadats.
□ □ ■ ■			

OBS: Beroende på användningsförhållanden och den omgivande temperaturen kan indikationen skilja sig lätt från den faktiska batterikapaciteten.

Ratt för hastighetsinställning

► Fig.4: 1. Ratt för hastighetsinställning

Hastigheten kan justeras genom att vrida på ratten. Högre hastighet får du genom att vrida ratten i riktning mot siffran 5, lägre hastighet fås genom att vrida i riktning mot siffran 1.

OBS:

- Ratten för hastighetsinställning kan endast vridas till 5 och tillbaka till 1. Tvinga den inte förbi 5 eller 1 eftersom hastighetsinställningen då kan sättas ur funktion.
- Beroende på fogmassans typ och tillstånd kan den kanske inte mata vid låg hastighet. Ställ i sådana fall in ratten för hastighetsjustering högre.

Varningslampan för överlast

► Fig.5: 1. Varningslampan

Varningslampan blinkar rött när verktyget överlastas. Om lasten når upp till ett visst värde så lyser lampan med fast sken och verktyget stannar. Verktyget kan återstartas genom att släppa avtryckaren och sedan trycka in den igen.

OBS: Kontrollera orsaken till överlast när lampan blinkar eller tänds. Sänk hastigheten genom att justera ratten eller öka munstyckets diameter.

Avtryckarens funktion

⚠ FÖRSIKTIGT:

- Innan du sätter i batterikassetten i maskinen ska du kontrollera att avtryckaren fungerar och återgår till läget "OFF" när du släpper den.
- När maskinen inte används ska startspärren vara intryckt från sidan A för att låsa avtryckaren i det avstängda läget OFF.

► Fig.6: 1. Låsknapp 2. Avtryckarknapp

Startspärren förhindrar att maskinen startas oavsiktligt. Tryck in startspärren från sidan B och tryck sedan på avtryckaren för att starta maskinen. Hastigheten ökas genom att du trycker hårdare på avtryckaren. Släpp avtryckaren för att stanna maskinen. Tryck alltid in startspärren från sidan A efter användning.

Tända lamporna

⚠ FÖRSIKTIGT:

- Titta inte in i ljuset eller direkt i ljuskällan.

► Fig.7: 1. Lampa

Tryck på avtryckaren för att tända lampan. Lampan lyser medan du håller in avtryckaren. Lampan slocknar ungefär 10 sekunder efter att du har släppt avtryckaren.

OBS:

- Använd en torr trasa för att torka bort smuts från lampglaset. Var försiktig så att inte lampglaset repas eftersom ljuset då kan bli svagare.
- Lampan blinkar när maskinen överhettas. Låt verktyget svalna fullständigt innan det används igen.

Funktion för att förhindra droppning

Motorn fortsätter gå under en kort tid även efter att avtryckaren släppts. Det släpper trycket på fogmassan och förhindrar droppning.

MONTERING

⚠ FÖRSIKTIGT:

- Se alltid till att maskinen är avstängd och batterikassetten borttagen innan du underhåller maskinen.
- Lägg alltid verktyget på marken eller arbetsbänken när du utför något monteringsarbete. Om verktyget hålls i löst grepp kan det komma i obalans och orsaka skada.

Installation av hållarfäste

► Fig.8

Sätt fast hållarfästet ordentligt mot verktyget, sätt plattan på plats och sätt fäst med skruvarna hårt dragna. Hållarfästet tas bort enligt ovanstående procedur i omvänd ordning.

OBS:

- Det finns två typer av hållare (tilläggsutrustning), kort hållare (300 ml) och lång hållare (600 ml). Använd passande hållarfäste.

Installation av stång och kolv

► Fig.9

► Fig.10

Sätt in stängens i slitsen på verktyget. Sätt fast kolven och dra åt den med en skruv. Gör på omvänt sätt för att ta bort stång och kolv.

OBS:

- Stångens tandade sida måste vända nedåt.
- Det finns tre typer av kolvar. Kolv A för patroner. Kolv B för paket av folietyp. Kolv C för direktfyllning.
- Välj lämplig kolv i överensstämmelse med behållaren för fogmassa. Felaktig kolv kan förorsaka läckage eller skada på verktyget.
- Det finns två typer av stänger. Den korta stängens för kort hållare (300 ml) och den längre stängens för lång hållare (600 ml). Använd lämplig stång i överensstämmelse med typ av hållare.
- Håll alltid stång och kolv rena. Fastkletad fogmassa kan skada verktyget.

Installation av hållare

► Fig.11

► Fig.12

Greppa om hållarens bakre ände samt hållarfästet, vrid sedan hållarens medsols. Dra åt den ordentligt tills den når ändläget.

Se till att hållaren är ordentligt åtdragen. I annat fall kan maskinen skadas.

Vrid hållaren moturs för att ta bort den.

OBS:

- Du kan vrida hållaren enligt aktuella situationer för att underlätta användandet.
- Den kortare hållaren (300 ml) är avsedda endast för patronerna. Använd endast kolv A tillsammans med kort hållare (300 ml) och använd den inte med förpackningar av folietyp eller direkt fyllning. Använd lämplig stång i överensstämmelse med typ av hållare.

Installation av patron

OBS:

- Se till att kolv A är fastsatt på stängen. Använd ingen annan typ av kolv för patroner.

Installation av patron i den korta hållaren (300 ml)

► **Fig.13:** 1. Stånghandtag

Drag stängens handtag långsamt bakåt tills den når ändläget.

► **Fig.14**

Sätt in patronen i hållaren enligt figuren.

Tryck in stängens försiktigt tills kolven vidrör patronens botten. Patronen tas bort genom att dra stängens bakåt tills den når ändläget och sedan lyfta ut patronen.

Installation av patron i den långa hållaren (600 ml)

► **Fig.15:** 1. Hållarlock 2. Stånghandtag

Ta bort hållarlocket från hållaren.

Drag stängens handtag långsamt bakåt tills den når ändläget.

► **Fig.16:** 1. Hållarlock

Sätt in patronen i hållaren.

Sätt fast hållarlocket. Se till att den är ordentligt åtdragen. Tryck in stängens försiktigt tills kolven vidrör patronens botten.

Patronen tas bort genom att ta bort hållarlocket och sedan ta ut patronen.

OBS:

- Kontrollera alltid att patronen inte är punkterad eller skadad innan den installeras. Använd inte skadad patron, annars kan verktyget skadas.
- Om en delvis använd patron återanvänds ska den rensas från allt fastkletat material.

Installation av folieförpackning

OBS:

- Se till att kolv B är fastsatt på stängen. Använd ingen annan typ av kolv för folieförpackningar.
- Folieförpackningar kan installeras endast i den långa hållaren (600 ml).

Ta bort hållarlocket, munstycket och gummiringen från hållaren.

Drag stängens handtag långsamt bakåt tills den når ändläget.

► **Fig.17**

Skär av folieförpackningens spets.

Sätt in folieförpackningen i hållaren.

► **Fig.18:** 1. Gummiring 2. Munstycke 3. Hållarlock

Sätt dit gummiringen, munstycket och hållarlocket. Se till att hållarlocket är ordentligt åtdraget.

Tryck in stängens försiktigt tills kolven vidrör folieförpackningens botten.

OBS:

- Kontrollera alltid att folieförpackningen inte är punkterad eller skadad innan den installeras. Använd inte skadad förpackning, annars kan verktyget skadas.

Direkt fyllning

OBS:

- Se till att kolv C är fastsatt på stängen. Använd ingen annan typ av kolv för direkt fyllning.
- Direkt fyllning kan göras endast med den längre hållaren (600 ml).

Ta bort hållarlocket, munstycket och gummiringen från hållaren.

Se till att stängens är i sitt mest framskjutna läge.

Doppa ned hållarens öppning i fogmassan.

Drag långsamt i stängens handtag tills önskad mängd fogmassa sugits in i hållaren.

Sätt dit gummiringen, munstycket och hållarlocket. Se till att hållarlocket är ordentligt åtdraget.

OBS:

- Rengör hållare med lämpligt lösningsmedel efter varje arbetspass. Annars kan fastkletad fogmassa göra att verktyget går sönder.

ANVÄNDNING

⚠ FÖRSIKTIGT:

- Vidrör inte stängens under användning. Annars kan ditt finger komma i kläm mellan stängens och verktygshöljet.
- Använd alltid skyddsglasögon under användning.

OBS:

- Täck inte för ventilationshålen. Det kan orsaka överhettning och skada på maskinen.
- Om du inte kan dra ut stängens, vrid hastighetsratten till 1 och tryck kortvarigt på avtryckaren och försök dra ut stängens efter att motorn stannat. Om stängens fortfarande kärvar, så upprepa åtgärden tills stängens rör sig.

Skär av munstyckets spets enligt vad som är lämpligt för respektive användning. Var noga med hur mycket du skär av munstycket. Munstyckets diameter påverkar mängden fogmassa som trycks ut.

Tryck in avtryckaren för att pressa ut fogmassa.

Mängden fogmassa som pressas ut bestäms av avtryckaren, hastighetsratten, munstycksöppningens diameter, typ av fogmassa och temperaturen.

Det rekommenderas att ställa in hastighetsratten på '1' och trycka på avtryckaren långsamt första gången för att testa vilken mängd fogmassa som pressas ut.

När stängens kommer till framkanten börjar motorn gå i tomgång. Sätt in ny fogmassa när detta händer.

OBS: Om fogmassa inte trycks ut ska följande saker kontrolleras:

- Munstycksspetsen är felaktigt kapad. Kapa munstycksspetsen så som lämpar sig för aktuell användning.
- Stelnat material täpper till munstycket. Avlägsna stelnat material.
- Patronen är skadad. Byt ut patronen.
- Fogmassan är stel. Värm upp massan tills den blir mjuk.
- Felaktig stång används. Använd lämpligt stång.

UNDERHÅLL

⚠ FÖRSIKTIGT:

- Se alltid till att maskinen är avstängd och att batterikassetten är borttagen innan inspektion eller underhåll utförs, förutom felsökning relaterad till ljuset.
- Använd inte bensin, thinner, alkohol eller liknande. Missfärgning, deformation eller sprickor kan uppstå.
- Rengör hållare och stång efter varje arbetspass. Håll dem fria från klubbade material. Avlägsna fogmassan innan den hårdnar. Kvarvarande kletande material kan skada verktyget.

För att upprätthålla produktens SÄKERHET och TILLFÖRLITLIGHET bör reparationer, kontroll och utbyte av kolborstar samt allt annat underhålls- och justeringsarbete utföras av ett auktoriserat Makita servicecenter och med reservdelar från Makita.

VALFRIA TILLBEHÖR

⚠ FÖRSIKTIGT:

- Dessa tillbehör och tillsatser rekommenderas för användning tillsammans med den Makita-maskin som denna bruksanvisning avser. Om andra tillbehör eller tillsatser används kan det uppstå risk för personskador. Använd endast tillbehören eller tillsatserna för de syften de är avsedda för.

Kontakta ditt lokala Makita servicecenter om du behöver ytterligare information om dessa tillbehör.

- Kolv A
- Kolv B
- Kolv C
- Kort hållare (300 ml) isatt
- Lång hållare (600 ml) isatt
- Munstycke
- Skyddsglasögon
- Makitas originalbatteri och -laddare

OBS:

- Några av tillbehören i listan kan vara inkluderade i maskinpaketet som standardtillbehör. De kan variera mellan olika länder.

TEKNISKE DATA

Modell		DCG140		DCG180	
Maks. matehastighet		5 000 N			
Matehastighet		0 - 28 mm/s			
Takt	med kort (300 ml) holder	214 mm			
	med lang (600 ml) holder	350 mm			
Total lengde	med kort (300 ml) holder	404 mm			
	med lang (600 ml) holder	538 mm			
Standard batteri		BL1415 / BL1415N	BL1430 / BL1430B / BL1440 / BL1450 / BL1460B	BL1815 / BL1815N / BL1820 / BL1820B	BL1830 / BL1830B / BL1840 / BL1840B / BL1850 / BL1850B / BL1860B
Nettovekt	med kort (300 ml) holder	2,0 kg	2,2 kg	2,1 kg	2,3 kg
	med lang (600 ml) holder	2,4 kg	2,6 kg	2,5 kg	2,7 kg
Merkespenning		DC 14,4 V		DC 18 V	

- Som følge av vårt kontinuerlige forsknings- og utviklingsprogram kan de tekniske dataene endres uten ytterligere forvarsel.
- Tekniske data og batteri kan variere fra land til land.
- Vekt, med batteri, i henhold til EPTA-prosedyre 01/2003

Beregnet bruk

Denne maskinen er laget for å legge tettingsmateriale på overflater.

Støy

Typisk A-vektet lydtrykknivå er bestemt i henhold til EN60745:

Lydtrykknivå (L_{pA}): 70 dB (A) eller mindre

Usikkerhet (K): 3 dB (A)

Støynivået under arbeid kan overskride 80 dB (A).

Bruk hørselvern

Vibrasjon

Den totale vibrasjonsverdien (triaksial vektorsum) bestemt i henhold til EN60745:

Genererte vibrasjoner (a_h): 2,5 m/s² eller mindre

Usikkerhet (K): 1,5 m/s²

MERK: Den angitte verdien for de genererte vibrasjonene er blitt målt i samsvar med standardtestmetoden og kan brukes til å sammenlikne et verktøy med et annet.

MERK: Den angitte verdien for de genererte vibrasjonene kan også brukes til en foreløpig vurdering av eksponeringen.

⚠ ADVARSEL: De genererte vibrasjonene ved faktisk bruk av elektroverktøyet kan avvike fra den oppgitte vibrasjonsverdien, avhengig av hvordan verktøyet brukes.

⚠ ADVARSEL: Vær påpasselig med å finne sikkerhetstiltak som beskytter operatøren, basert på en oppfatning av risiko under faktiske bruksforhold (på bakgrunn av alle sider ved brukssyklusen, som når verktøyet slås av og når det går på tomgang, i tillegg til oppstarten).

Gjelder bare land i Europa

EF-samsvarserklæring

Makita erklærer at følgende maskin(er):

Maskinbetegnelse:

Trådløs tettingspistol

Modellnr./type: DCG140, DCG180

Samsvarer med følgende europeiske direktiver:
2006/42/EC

De er produsert i henhold til følgende standarder eller standardiserte dokumenter:
EN60745

Den tekniske filen i samsvar med 2006/42/EF er tilgjengelig fra:
Makita, Jan-Baptist Vinkstraat 2, 3070, Belgia

31.12.2013



Yasushi Fukaya

Direktør

Makita, Jan-Baptist Vinkstraat 2, 3070, Belgia

Generelle advarsler angående sikkerhet for elektroverktøy

⚠ ADVARSEL Les alle sikkerhetsadvarslene og alle instruksjonene. Hvis du ikke følger alle advarslene og instruksjonene som er oppført nedenfor, kan det føre til elektriske støt, brann og/eller alvorlige helseskader.

Oppbevar alle advarsler og instruksjoner for senere bruk.

SIKKERHETSADVARSLER FOR TRÅDLØS TETTINGSPISTOL

1. Hold hender og klær unna stangen og stempelområdet. Ellers kan fingrene eller klærne bli klemt.
2. Pass på at du har godt fotfeste.
3. Hold maskinen godt fast.
4. Arbeid alltid i godt ventilerte områder og bruk riktig beskyttelse som egner seg til bruken.
5. Les og følg produsentens anvisninger for tettingsmaterialet eller det klebrige materialet før bruk.

TA VARE PÅ DISSE INSTRUKSENE.

⚠ ADVARSEL: Selv om du har brukt produktet mye og føler deg fortrolig med det, er det likevel svært viktig at du følger nøye de retningslinjene for sikkerhet som er utarbeidet for dette produktet. MISBRUK av verktøyet eller mislighold av sikkerhetsreglene i denne brukerhåndboken kan resultere i alvorlige helseskader.

Viktige sikkerhetsanvisninger for batteriinnsetts

1. Før du begynner å bruke batteriet, må du lese alle anvisninger og forsiktighetsregler på (1) batteriladeren, (2) batteriet og (3) det produktet batteriet skal brukes i.
2. Ikke ta fra hverandre batteriet.
3. Hvis driftstiden er blitt vesentlig kortere, må du omgående slutte å bruke maskinen. Hvis ikke kan resultatet bli overoppheting, mulige forbrenninger eller til og med en eksplosjon.
4. Hvis du får elektrolytt i øynene, må du skylle dem med store mengder rennende vann og oppsøke lege med én gang. Denne typen uhell kan føre til varig blindhet.
5. Ikke kortslett batteriet:
 - (1) De kan være ekstremt varme og du kan brenne deg.
 - (2) Ikke lagre batteriet i samme beholder som andre metallgjenstander, som for eksempel spiker, mynter osv.
 - (3) Ikke la batteriet komme i kontakt med vann eller regn.En kortslutning av batteriet kan føre til et kraftig strømstøt, overoppheting, mulige forbrenninger og til og med til at batteriet går i stykker.
6. Ikke lagre maskinen og batteriet på steder hvor temperaturen kan komme opp i eller overskride 50 °C.
7. Ikke sett fyr på batteriet, ikke engang om det er sterkt skadet eller helt utslitt. Batteriet kan eksplodere hvis det begynner å brenne.
8. Vær forsiktig så du ikke mister batteriet eller utsetter det for slag.
9. Ikke bruk batterier som er skadet.

10. **Lithium-ion-batteriene som medfølger er gjenstand for krav om spesialavfall.** For kommersiell transport, f.eks av tredjeparter eller speditorer, må spesielle krav om pakking og merking følges. Før varen blir sendt, må du forhøre deg med en ekspert på farlig materiale. Ta også hensyn til muligheten for mer detaljerte nasjonale bestemmelser. Bruk teip eller maskeringsteip for å skjule åpne kontakter og pakk inn batteriet på en slik måte at den ikke kan bevege seg rundt i emballasjen.
11. **Følg lokale bestemmelser for avhending av batterier.**
12. **Bruk batteriene kun med produkter spesifisert av Makita.** Montere batteriene i produkter som ikke er konforme kan føre til brann, overheting eller elektrolyttlekkasje.

TA VARE PÅ DISSE INSTRUKSENE.

⚠ FORSIKTIG: Bruk kun originale Makita-batterier. Bruk av batterier som har endret seg, eller som ikke er originale Makita-batterier, kan føre til at batteriet sprekker og forårsaker brann, personskader og andre skader. Det vil også ugyldiggjøre garantien for Makita-verktøyet og -laderen.

Tips for å opprettholde maksimal batterilevetid

1. Lad batteriinnsettsen før den er helt utladet. Stopp alltid driften av verktøyet og lad batteriinnsettsen når du merker at effekten reduseres.
2. Lad aldri en batteriinnsetts som er fulladet. Overopplading forkorter batteriets levetid.
3. Lad batteriet i romtemperatur ved 10 °C - 40 °C. Et varmt batteri må kjøles ned før lading.
4. Lad batteriet hvis det ikke har vært brukt på en lang stund (over seks måneder).

FUNKSJONSBEKRIVELSE

⚠️ FORSIKTIG:

- Forviss deg alltid om at maskinen er slått av og batteriet tatt ut før du justerer maskinen eller kontrollerer dens mekaniske funksjoner.

Sette inn eller ta ut batteri

► Fig.1: 1. Rød indikator 2. Knapp 3. Batteri

⚠️ FORSIKTIG:

- Slå alltid av verktøyet før du setter inn eller fjerner batteriet.
- Hold verktøyet og batteripatronen i et fast grep når du monterer eller fjerner batteripatronen. Hvis du ikke holder verktøyet og batteripatronen godt fast, kan du miste grepet, og dette kan føre til skader på verktøyet og batteripatronen samt personskader.

For å ta ut batteriet må du skyve på knappen foran på batteriet og trekke det ut.

Når du skal sette inn batteriet, må du plassere tungen på batteriet på linje med sporet i huset og skyve batteriet på plass. Skyv det helt inn til det går i inngrep med et lite klikk. Hvis du kan se den røde anviseren på oversiden av knappen, er det ikke gått skikkelig i lås.

⚠️ FORSIKTIG:

- Batteriet må alltid settes helt inn, så langt at den røde anviseren ikke lenger er synlig. Hvis du ikke gjør dette, kan batteriet falle ut av maskinen og skade deg eller andre som oppholder seg i nærheten.
- Ikke bruk makt når du setter i batteriet. Hvis batteriet ikke glir lett inn, er det fordi det ikke settes inn på riktig måte.

Batteribeskyttelsessystem

Verktøyet er utstyrt med et batterivernsystem. Dette systemet slår automatisk av strømmen til motoren for å forlenge batteriets levetid.

Verktøyet stopper automatisk ved drift hvis det og/eller batteriet utsettes for en av følgende tilstander:

- **Overbelastning:**
Verktøyet brukes på en måte som gjør at det trekker uvanlig mye strøm. Slipp i så fall verktøyet startspake, og stopp arbeidet som forårsaker at verktøyet ble overbelastet. Trekk deretter i startutløseren igjen for å starte på nytt.
Hvis verktøyet ikke starter, er batteriet overbelastet. I dette tilfellet, la batteriet kjøle seg ned før du drar i startbryteren igjen.
- **Lav batterispenning:**
Gjenværende batterikapasitet er for lav, og verktøyet vil ikke fungere. I dette tilfellet, fjern og lad batteriet opp igjen.

MERK: Overopphetingsvernet fungerer bare med et batteri med stjernemerke.

► Fig.2: 1. Stjernemerking

Indikere gjenværende batterikapasitet

Kun for batterier med indikatoren

► Fig.3: 1. Indikatorlamper 2. Kontrollknapp

Trykk på sjekk-knappen på batteriet for vise gjenværende batterikapasitet. Indikatorlampene lyser i et par sekunder.

Indikatorlamper			Gjenværende batterinivå
Tent	Av	Bliker	
■	□	▤	75 % til 100 %
■	■	□	50 % til 75 %
■	□	□	25 % til 50 %
■	□	□	0 % til 25 %
▤	□	□	Lad batteriet.
■	■	□	Batteriet kan ha en feil.
□	□	■	

MERK: Det angitte nivået kan avvike noe fra den faktiske kapasiteten alt etter bruksforholdene og den omgivende temperaturen.

Turtallsinnstillingshjul

► Fig.4: 1. Hastighetsinnstillingshjul

Verktøyhastigheten kan justeres ved å dreie hjulet. Hastigheten øker når innstillingshjulet dreies i retning av nummer 5, og synker når hjulet dreies i retning av nummer 1.

MERK:

- Turtallsinnstillingshjulet kan kun dreies til 5 og så tilbake til 1. Ikke prøv å dreie det forbi 5 eller 1, ellers kan det hende at turtallsinnstillingen slutter å virke.
- Avhengig av typen og tilstanden til tettingsmateriale, kan det hende at det ikke fremføres ved lav hastighet. I så fall må du øke innstillingen på hastighetsinnstillingshjulet.

Varsellampe for overbelastning

► Fig.5: 1. Varsellampe

Varsellampen blinker rødt når verktøyet er overbelastet. Når overbelastningen når et bestemt punkt, fortsetter lampen å lyse rødt og verktøyet stopper. For å starte verktøyet på nytt slipper du avtrekkeren og trykker den ned igjen.

MERK: Kontroller hva som forårsaker overbelastningen når lampen flimrer eller lyser. Drei turtallsinnstillingshjulet ned, eller øk diameteren på munestykket.

Bryterfunksjon

⚠ FORSIKTIG:

- Før du setter batteriet inn i maskinen, må du alltid kontrollere at startbryteren aktiverer maskinen på riktig måte og går tilbake til "AV"-stilling når den slippes.
- Når maskinen ikke skal brukes mer, må du trykke på AV-sperreknappen fra A-siden for å låse startbryteren i AV-stilling.

► Fig.6: 1. Låsehendel 2. Startbryter

For å unngå at startbryteren trykkes inn ved en feiltakelse, er maskinen utstyrt med en AV-sperreknapp. For å starte maskinen må du trykke på AV-sperreknappen fra B-siden og trykke på startbryteren. Når du trykker hardere på startbryteren, øker hastigheten til maskinen. Slipp startbryteren for å stoppe maskinen. Etter bruk må du alltid trykke inn AV-sperreknappen fra A-siden.

Tenne lampen

⚠ FORSIKTIG:

- Ikke se inn i lyset eller se direkte på lyskilden.

► Fig.7: 1. Lampe

Trykk inn startbryteren for å tenne lampen. Lampen fortsetter å lyse så lenge startbryteren holdes inne. Lampen slukkes omtrent 10 sekunder etter at startbryteren er sluppet.

MERK:

- Bruk en tørr klut til å tørke støv osv. av lampelinsen. Vær forsiktig så det ikke blir riper i lampelinsen, da dette kan redusere lysstyrken.
- Hvis maskinen blir overopphetet under bruk, flimrer lampen. Kjøøl ned verktøyet helt før det brukes igjen.

Dryppforebyggende funksjon

Motoren fortsetter å kjøre i en liten periode selv etter at avtrekkeren er sluppet. Den frigjør trykket til tettingsmaterialet og hindrer drypp.

MONTERING

⚠ FORSIKTIG:

- Forviss deg alltid om at maskinen er slått av og batteriet tatt ut før du utfører noe arbeid på maskinen.
- Plasser alltid verktøyet på bakken eller arbeidsbenken når du utfører monteringsarbeid. Verktøyet kan miste balansen dersom det ikke blir holdt fast, noe som kan føre til skade.

Installere holderfeste

► Fig.8

Sett holderfestet fast langs verktøyet, sett på platen, og fest dem godt med skruer.

For å fjerne holderfestet, følg prosedyren ovenfor i motsatt rekkefølge.

MERK:

- Det finnes to typer holdere (ekstrautstyr), kort holder (300 ml) og lang holder (600 ml). Bruk det holderfestet som passer.

Installere stang og stempel

► Fig.9

► Fig.10

Sett stangen i slissen til verktøyet. Fest stampelet og skru det fast med en skrue. Fjern stangen og stampelet ved å følge installasjonsprosedyren i motsatt rekkefølge.

MERKNAD:

- Tennene på stangen må peke nedover.
- Det er tre typer stempeler. Stempel A for patroner. Stempel B for filmtypepakker. Stempel C for direkte fylling.
- Velg det stampelet som passer avhengig av type beholder som tettingsmaterialet er i. Feil stempel kan føre til lekkasje eller at verktøyet blir ødelagt.
- Det er to typer stenger. Den korte stangen for den korte holderen (300 ml), og den lange stangen for den lange holderen (600 ml). Bruk den stangen som passer avhengig av type holder.
- Hold alltid stangen og stampelet rene. Dersom kitt setter seg fast kan dette skade verktøyet.

Installere holder

► Fig.11

► Fig.12

Hold bunnen av holderen og holderfestet, og vri holderen med klokken. Stram godt til den stopper.

Påse at holderen er stramt nok festet. Ellers kan verktøyet bli ødelagt.

For å fjerne holderen, skru den mot klokken.

MERK:

- Du kan rotere holderen alt etter situasjonen for å gjøre den lettere å bruke.
- Den korte holderen (300 ml) er kun ment for patroner. Bruk kun stempel A med den korte holderen (300 ml), og ikke bruk den med filmtypepakker eller direkte fylling. Bruk også den stangen som passer avhengig av type holder.

Installere patron

MERKNAD:

- Kontroller at stempel A er festet til stangen. Ikke bruk andre typer stempler for patroner.

Installere patronen i den korte holderen (300 ml)

► **Fig.13:** 1. Stanghåndtak

Trekk stanghåndtaket bakover sakte til det stopper.

► **Fig.14**

Før patronen inn i holderen som vist på bildet.

Skyv stangen forsiktig til stempelet berører bunnen av patronen.

For å fjerne patronen, trekk stangen bakover til den stopper, og løft ut patronen.

Installere patronen inn i den lange holderen (600 ml)

► **Fig.15:** 1. Holderhette 2. Stanghåndtak

Fjern holderhetten fra holderen.

Trekk stanghåndtaket bakover sakte til det stopper.

► **Fig.16:** 1. Holderhette

Sett patronen inn i holderen.

Sett på holderhetten. Påse at den er stramt nok festet. Skyv stangen forsiktig til stempelet berører bunnen av patronen.

For å fjerne patronen, fjern holderhetten, og ta så ut patronen.

MERKNAD:

- Alltid kontrollerer om patronen har hull eller skader før du installerer den. Ikke bruk en skadet patron, ellers kan verktøyet bli skadet.
- Når du bruker en delvis brukt patron, fjern alt materiale som sitter fast på patronen.

Installere filmtypepakke

MERKNAD:

- Kontroller at stempel B er festet til stangen. Ikke bruk andre typer stempler for filmtypepakke.
- Filmtypepakke kan kun installeres på den lange holderen (600 ml).

Fjern holderhetten, munnstykket og gummiringen fra holderen.

Trekk stanghåndtaket bakover sakte til det stopper.

► **Fig.17**

Skjær av spissen av filmtypepakken.

Sett filmtypepakken inn i holderen.

► **Fig.18:** 1. Gummiring 2. Munnstykke 3. Holderhette

Fest gummiringen, munnstykket og holderhetten. Påse at holderhetten er stramt nok festet.

Skyv stangen forsiktig til stempelet berører bunnen på filmtypepakken.

MERK:

- Alltid kontrollerer om filmtypepakken har hull eller skader før du installerer den. Ikke bruk en skadet pakke, ellers kan verktøyet bli skadet.

Direkte tetting

MERKNAD:

- Kontroller at stempel C er festet til stangen. Ikke bruk andre typer stempler for direkte tetting.
- Direkte tetting kan bare utføres med den lange holderen (600 ml).

Fjern holderhetten, munnstykket og gummiringen fra holderen.

Pass på at stanghåndtaket er plassert helt fremme.

Dypp munningen av holderen inn i tettingsmaterialet.

Trekk stanghåndtaket langsomt inntil den nødvendige mengden tettingsmateriale er fylt i holderen.

Fest gummiringen, munnstykket og holderhetten. Påse at holderhetten er stramt nok festet.

MERKNAD:

- Rengjør holderen med egnet løsemiddel etter hver dags arbeid. Ellers kan tettingsmateriale som har satt seg fast føre til at verktøyet blir ødelagt.

BRUK

⚠FORSIKTIG:

- Ikke rør stangen under drift. Ellers kan fingeren bli klemt mellom stangen og verktøyhuset.
- Alltid bruk briller når du bruker verktøyet.

MERKNAD:

- Dekk ikke til ventilasjonsspaltene i dekslet, ellers kan det oppstå overoppheting og skader på verktøyet.
- Hvis du ikke kan trekke ut stangen, vri turtallsinnstillingshjulet til 1, trekk i startbryteren i et øyeblikk, og prøv å trekke stangen ut etter at motoren har stoppet. Hvis stangen fremdeles sitter fast, gjenta dette inntil stangen er i stand til å bevege seg.

Skjær av tuppen av munnstykket slik at den egner seg for ditt bruk. Vær forsiktig med hvor mye du skjærer av munnstykket. Diameteren på munnstykket påvirker mengden tettingsmateriale som leveres.

Trekk i avtrekkeren for å skyte ut tettingsmateriale.

Mengden tettingsmateriale som skytes ut avhenger av avtrekkeren, turtallsinnstillingshjulet, diameter på munnstykket, type tettingsmateriale, og temperaturen.

Det anbefales at turtallsinnstillingshjulet settes til "1" og at du trykker på avtrekkeren sakte første gang for å kontrollere hvor mye tettingsmateriale som skytes ut. Når stangen når fronten, begynner motoren å gå på tomgang. Fyll på med tettingsmateriale når dette skjer.

MERK: Hvis tettingsmateriale ikke skytes ut, kontroller følgende punkter:

- Munnstykket er ikke tilstrekkelig skåret. Skjær av tuppen av munnstykket slik at den egner seg for ditt bruk.
- Herdet materiale sitter fast i munnstykket. Fjerne herdet materiale.
- Patronen er skadet. Bytt ut patronen.
- Tettingsmaterialet er stivt. Varm opp materialet til det blir mykt.
- Feil stempel i bruk. Bruk riktig stempel.

VEDLIKEHOLD

⚠FORSIKTIG:

- Forsikre deg om at maskinen er slått av og at batteriet er tatt ut før du foretar inspeksjon eller vedlikehold, unntatt i forbindelse med nedenstående feilsøking vedrørende lyset.
- Aldri bruk gasolin, bensin, tynner alkohol eller lignende. Det kan føre til misfarging, deformering eller sprekkdannelse.
- Rengjør holderen og stangen etter hver dags arbeid. Hold dem vekk fra det klebrige materialet. Fjern tettingsmaterialet før det herdes. Dersom klebrig materiale sitter igjen kan dette føre til at verktøyet blir ødelagt.

For å opprettholde produktets SIKKERHET og PÅLITELIGHET, må reparasjoner, inspeksjon og skifte av kullbørstene, vedlikehold og justeringer utføres av Makitas autoriserte servicesentre, og det må alltid brukes reservedeler fra Makita.

VALGFRITT TILBEHØR

⚠FORSIKTIG:

- Det anbefales at du bruker dette tilbehøret eller verktøyet sammen med den Makita-maskinen som er spesifisert i denne håndboken. Bruk av annet tilbehør eller verktøy kan forårsake helseskader. Tilbehør og verktøy må kun brukes til det formålet det er beregnet på.

Ta kontakt med ditt lokale Makita-servicesenter hvis du trenger mer informasjon om dette tilbehøret.

- Stempel A
- Stempel B
- Stempel C
- Kort holdersett (300 ml)
- Langt holdersett (600 ml)
- Munnstykke
- Vernebriller
- Makita originalbatteri og lader

MERK:

- Enkelte elementer i listen kan være inkludert som standardtilbehør i verktøypakken. Elementene kan variere fra land til land.

TEKNISET TIEDOT

Malli		DCG140		DCG180	
Suurin syöttövoima		5 000 N			
Syöttönopeus		0 - 28 mm/s			
Isku	lyhyen (300 ml) pidikkeen kanssa	214 mm			
	pitkän (600 ml) pidikkeen kanssa	350 mm			
Kokonaispituus	lyhyen (300 ml) pidikkeen kanssa	404 mm			
	pitkän (600 ml) pidikkeen kanssa	538 mm			
Vakioakku		BL1415 / BL1415N	BL1430 / BL1430B / BL1440 / BL1450 / BL1460B	BL1815 / BL1815N / BL1820 / BL1820B	BL1830 / BL1830B / BL1840 / BL1840B / BL1850 / BL1850B / BL1860B
Nettopaino	lyhyen (300 ml) pidikkeen kanssa	2,0 kg	2,2 kg	2,1 kg	2,3 kg
	pitkän (600 ml) pidikkeen kanssa	2,4 kg	2,6 kg	2,5 kg	2,7 kg
Nimellisjännite		DC 14,4 V		DC 18 V	

- Jatkuvan tutkimus- ja kehitysohjelman vuoksi pidätämme oikeuden muuttaa tässä mainittuja teknisiä ominaisuuksia ilman ennakkoilmoitusta.
- Tekniset ominaisuudet ja akku saattavat vaihdella maakohtaisesti.
- Paino akku mukaan lukien EPTA-Procedure 01/2003 mukaan

Käyttötarkoitus

Työkalu on tarkoitettu tiivistemassan pursotukseen pinnoille.

Melutaso

Tyypillinen A-painotettu melutaso määräytyy EN60745-standardin mukaan:

Äänenpainetaso (L_{pA}): 70 dB (A) tai vähemmän
Virhemarginaali (K): 3 dB (A)

Työskentelyn aikana melutaso voi ylittää 80 dB (A).

Käytä kuulosuojaimia

Tärinä

Värähtelyn kokonaisarvo (kolmiakselivektorin summa) on määritetty EN60745 mukaan:

Tärinäpäästö (a_n): 2,5 m/s² tai vähemmän
Virhemarginaali (K): 1,5 m/s²

HUOMAA: Ilmoitettu tärinäpäästöarvo on mitattu standarditestaustestimen mukaisesti, ja sen avulla voidaan vertailla työkaluja keskenään.

HUOMAA: Ilmoitettua tärinäpäästöarvoa voidaan käyttää myös altistumisen alustavaan arviointiin.

VAROITUS: Työkalun käytön aikana mitattu todellinen tärinäpäästöarvo voi poiketa ilmoitetusta tärinäpäästöarvosta työkalun käyttötavan mukaan.

VAROITUS: Selvitä käyttäjän suojaamiseksi tarvittavat varoitimet todellisissa käyttöolosuhteissa tapahtuvan arvioidun altistumisen mukaisesti (ottaen huomioon käyttöjakso kokonaisuudessaan, myös jaksot, joiden aikana työkalu on sammutettuna tai käy tyhjäkäynnillä).

Koskee vain Euroopan maita

VAKUUTUS EC-VASTAAVUUDESTA

Makita ilmoittaa, että seuraava(t) kone(et)

Koneen tunnistetiedot:

Akkukäyttöinen tiivistemassapuristin

Mallinro/tyyppi: DCG140, DCG180

Täyttävät seuraavien eurooppalaisten direktiivien vaatimukset:

2006/42/EC

On valmistettu seuraavien standardien tai standardoitujen asiakirjojen mukaisesti:

EN60745

Direktiivin 2006/42/EY mukaiset tekniset tiedot ovat saatavissa seuraavasta osoitteesta:

Makita, Jan-Baptist Vinkstraat 2, 3070, Belgium

31.12.2013



Yasushi Fukaya
Johtaja

Makita, Jan-Baptist Vinkstraat 2, 3070, Belgium

Sähkötyökalujen käyttöä koskevat varoitukset

VAROITUS Lue kaikki turvallisuusvaroitukset ja käyttöohjeet. Varoitusten ja ohjeiden noudattamatta jättäminen voi johtaa sähköiskuun, tulipaloon ja/tai vakavaan vammautumiseen.

Säilytä varoitukset ja ohjeet tulevaa käyttöä varten.

AKKUKÄYTTÖISEN TIIVISTEMASSAPURISTIMEN TURVALLISUUSOHJEET

1. Pidä kädet ja vaatteet loitolla varresta ja puristusalueesta. Muuten sormesi tai vaatteesi voivat jäädä puristuksiin.
2. Seiso aina tukevassa asennossa.
3. Ota työkalusta tukeva ote.
4. Työskentele vain tiloissa, joissa on hyvä ilmanvaihto, ja käytä asianmukaisia suojavarusteita.
5. Lue tiivistemassan tai liima-aineen valmistajan antamat ohjeet ennen käyttöä ja noudata niitä.

SÄILYTÄ NÄMÄ OHJEET.

VAROITUS: ÄLÄ anna työkalun helppokäyttöisyyden tai toistuvan käytön tuoditta sinua vääriin turvallisuuden tunteeseen niin, että laiminlyöt työkalun turvaohjeiden noudattamisen. VÄÄRINKÄYTTÖ tai tämän käyttöohjeen turvamääräysten laiminlyönti voi johtaa vakaviin henkilövahinkoihin.

Akkupakettia koskevia tärkeitä turvaohjeita

1. Ennen akun käyttöönottoa tutustu kaikkiin laturissa (1), akussa (2) ja akkukäyttöisessä tuotteessa (3) oleviin varoitusteksteihin.
 2. Älä pura akkua.
 3. Jos akun toiminta-aika lyhenee merkittävästi, lopeta akun käyttö. Seurauksena voi olla ylikuumentuminen, palovammoja tai jopa räjähdys.
 4. Jos akkunestettä pääsee silmiin, huuhtele puhtaalla vedellä ja hakeudu välittömästi lääkärin hoitoon. Akkuneste voi aiheuttaa näön menetyksen.
 5. Älä oikosulje akkua.
 - (1) Älä koske akun napoihin millään sähköä johtavalla materiaalilla.
 - (2) Vältä akun oikosulkemista äläkä säilytä akkua yhdessä muiden metalliesineiden, kuten naulojen, kolikoiden ja niin edelleen kanssa.
 - (3) Älä aseta akkua alttiiksi vedelle tai sateelle.
- Oikosulku voi aiheuttaa virtapiikin, ylikuumentumista, palovammoja tai laitteen rikkoontumisen.

6. Älä säilytä työkalua ja akkua paikassa, jossa lämpötila voi nousta 50 °C:een tai sitäkin korkeammaksi.
7. Älä hävitä akkua polttamalla, vaikka se olisi pahoin vaurioitunut tai täysin loppuun kulunut. Avotuli voi aiheuttaa akun räjähtämisen.
8. Varo kolhimasta tai pudottamasta akkua.
9. Älä käytä viallista akkua.
10. Sisältyviä litium-ioni-akkuja koskevat vaarallisten aineiden lainsäädännön vaatimukset. Esimerkiksi kolmansien osapuolten huolintaliikkeiden tulee kaupallisissa kuljetuksissa noudattaa pakkaamista ja merkintöjä koskevia erityisvaatimuksia. Lähetettävän tuotteen valmistelu edellyttää vaarallisten aineiden asiantuntijan neuvontaa. Huomioi myös mahdollisesti yksityiskohtaisemmat kansalliset määräykset. Akun avoimet liittimet tulee suojata teipillä tai suojuksella ja pakkaaminen tulee tehdä niin, ettei akku voi liikkua pakkauksessa.
11. Hävitä akku paikallisten määräysten mukaisesti.
12. Käytä akkuja vain Makitan ilmoittamien tuotteiden kanssa. Akkujen asentaminen yhteensopimattomiin tuotteisiin voi aiheuttaa tulipalon, liiallisen ylikuumentumisen, räjähdyksen tai akkunestevuotoja.

SÄILYTÄ NÄMÄ OHJEET.

HUOMIO: Käytä vain alkuperäisiä Makita-akkuja. Muiden kuin aitojen Makita-akkujen, tai mahdollisesti muutettujen akkujen käyttö voi johtaa akun murtumiseen ja aiheuttaa tulipaloja, henkilö- ja omaisuusvahinkoja. Se mitätöi myös Makita-työkalun ja -laturin Makita-takuun.

Vihjeitä akun käyttöiän pidentämiseksi

1. Lataa akku ennen kuin se purkautuu täysin. Lopeta aina työkalun käyttö ja lataa akku, jos huomaat työkalun tehon vähenevän.
2. Älä koskaan lataa uudestaan täysin ladattua akkua. Ylilataaminen lyhentää akun käyttöikää.
3. Lataa akku huoneen lämpötilassa välillä 10 °C - 40 °C. Anna kuuman akun jäähtyä ennen lataamista.
4. Lataa akkupaketti, jos et käytä sitä pitkään aikaan (yli kuusi kuukautta).

TOIMINTOJEN KUVAUS

▲HUOMIO:

- Varmista aina ennen säätöjä ja tarkastuksia, että työkalu on sammutettu ja akku irrotettu.

Akun asentaminen tai irrottaminen

► **Kuva1:** 1. Punainen ilmaisain 2. Painike 3. Akku

▲HUOMIO:

- Sammuta työkalu aina ennen akun kiinnittämistä tai irrottamista.
- Pidä työkalusta ja akusta tiukasti kiinni, kun irrotat tai kiinnität akkua. Jos akku tai työkalu putoaa, ne voivat vaurioitua tai aiheuttaa loukkaantumisen.

Irrota akku painamalla akun etupuolella olevaa painiketta ja vetämällä akku ulos työkalusta. Kiinnitä akku sovitamalla akun kieleke rungon uraan ja työntämällä akku sitten paikoilleen. Työnnä akku pohjaan asti niin, että kuulet sen napsahdavan paikoilleen. Jos painikkeen yläpuolella näkyy punainen ilmaisain, akku ei ole lukkiutunut täysin paikoilleen.

▲HUOMIO:

- Työnnä akku aina pohjaan asti, niin että punainen ilmaisain ei enää näy. Jos akku ei ole kunnolla paikallaan, se voi pudota työkalusta ja aiheuttaa vammoja joko käyttäjälle tai sivullisille.
- Älä käytä voimaa akun asennuksessa. Jos akku ei mene paikalleen helposti, se on väärässä asennossa.

Akun suojausjärjestelmä

Työkalu on varustettu akun suojausjärjestelmällä. Tämä järjestelmä pidentää akun käyttöikää katkaisemalla automaattisesti moottorin virran. Työkalu voi pysähtyä automaattisesti kesken käytön, jos työkalussa tai akussa ilmenee jokin seuraavista tilanteista:

- Ylikuormitus:
Työkalua käytetään tavalla, joka saa sen kuluttamaan epätavallisen paljon virtaa. Vapauta silloin työkalun liipaisinkytkin ja lopeta ylikuormitustilan aiheuttanut käyttö. Käynnistä sen jälkeen työkalu uudelleen painamalla liipaisinkytkintä. Jos työkalu ei käynnisty, akku on ylikuumentunut. Anna silloin akun jäähtyä, ennen kuin painat liipaisinkytkintä uudelleen.
- Alhainen akun jännite:
Akun varaus ei riitä työkalun käyttämiseen. Irrota silloin akku ja lataa se.

HUOMAA: Ylikuumentumisen suojaus toimii vain, jos akku on merkitty tähtimerkillä.

► **Kuva2:** 1. Tähtimerkintä

Akun jäljellä olevan varaustason ilmaisin

Vain akkupaketeille ilmaisimella

► **Kuva3:** 1. Merkkivalot 2. Tarkistuspainike

Painamalla tarkistuspainiketta saat näkyviin akun jäljellä olevan varauksen. Merkkivalot palavat muutaman sekunnin ajan.

Merkkivalot			Akussa jäljellä olevan varaus
Palaa	Pois päältä	Viikkuu	
			75% - 100%
			50% - 75%
			25% - 50%
			0% - 25%
			Lataa akku.
			Akussa on saattanut olla toimintahäiriö.

HUOMAA: Ilmoitettu varaustaso voi erota hieman todellisesta varaustasosta sen mukaan, millaisissa oloissa ja missä lämpötilassa laitetta käytetään.

Nopeudensäätöpyörä

► **Kuva4:** 1. Nopeudensäätöpyörä

Työkalun nopeutta voidaan säätää kiertämällä säätöpyörää. Nopeus kasvaa, kun pyörää käännetään kohti numeroa 5, ja laskee, kun sitä käännetään kohti numeroa 1.

HUOMAA:

- Nopeussäädintä voi kääntää vain asentoon 5 tai asentoon 1 ja saakka. Älä pakota sitä asennon 5 tai 1 ohi, koska nopeudensäätötoiminto saattaa lakata toimimasta.
- Tiivistemassan tyyppistä ja olosuhteista riippuen, sitä ei ehkä voi syöttää hitaalla nopeudella. Tässä tapauksessa suurena silloin nopeutta nopeudensäätöpyörällä.

Ylikuormituksen varoitusvalo

► **Kuva5:** 1. Varoituslamppu

Varoitusvalo vilkkuu punaisena, kun työkalua ylikuormitetaan. Jos kuormitus saavuttaa tietyn pisteen, punainen valo palaa yhtäjaksoisesti ja työkalu pysähtyy. Jos haluat käynnistää työkalun uudelleen, vapauta liipaisin ja paina sitä uudelleen.

HUOMAA: Jos varoitusvalo vilkkuu tai palaa yhtäjaksoisesti, selviä ylikuormituksen syy. Pienennä nopeutta nopeudensäätöpyörästä tai suurena suuttimen kokoa.

Kytkimen käyttäminen

⚠️ HUOMIO:

- Tarkista aina ennen akun kiinnittämistä työkaluun, että liipaisinkytkin kytkeytyy oikein ja palaa OFF-asentoon, kun se vapautetaan.
- Kun et käytä työkalua, lukitse liipaisinkytkin OFF-asentoon painamalla liipaisimen lukituspainiketta suunnasta A.

► Kuva6: 1. Lukitusvipu 2. Liipaisinkytkin

Laitteessa on liipaisimen lukituspainike, joka estää liipaisinkytkimen painamisen vahingossa. Käynnistä työkalu painamalla liipaisimen lukituspainike sisään suunnasta B ja painamalla liipaisinkytkintä. Mitä voimakkaammin liipaisinkytkintä painetaan, sitä nopeammin terä pyörii. Työkalu pysäytetään vapauttamalla liipaisinkytkin. Paina aina käytön jälkeen liipaisimen lukituspainike sisään suunnasta A.

Lampun sytyttäminen

⚠️ HUOMIO:

- Älä katso suoraan lamppuun tai valonlähteeseen.

► Kuva7: 1. Lamppu

Lamppu syttyy, kun liipaisinkytkintä painetaan. Lamppu palaa niin kauan kuin liipaisinkytkintä painetaan. Lamppu sammuu automaattisesti 10 sekunnin kuluttua liipaisinkytkimen vapauttamisesta.

HUOMAA:

- Pyyhi lika pois lampun linssistä kuivalla liinalla. Älä naarmuta lampun linssiä, ettei valoteho laske.
- Lamppu alkaa vilkkua, jos työkalu kuumenee liikaa. Anna työkalun jäähtyä ennen sen käyttämistä uudelleen.

Valumisenestotoiminto

Moottori pyörii hetken liipaisimen vapauttamisen jälkeen. Se poistaa paineen tiivistemassasta ja estää massan valumisen.

KOKOONPANO

⚠️ HUOMIO:

- Varmista aina ennen mitään työkalulle tehtäviä toimenpiteitä, että se on sammutettu ja akku irrotettu.
- Aseta työkalu aina maahan tai työtasolle kokoaamista varten. Jos työkalua pidetään paikallaan tiukasti, se voi kaatua ja aiheuttaa vammoja.

Pidikkeen liittimen asennus

► Kuva8

Kiinnitä pidikkeen liitin tiukasti työkaluun, aseta levy paikalleen ja kiinnitä ne tiukasti ruuveilla. Pidikkeen liitin irrotetaan päinvastaisessa järjestyksessä.

HUOMAA:

- Pidikkeitä (lisävaruste) on kahta tyyppiä: lyhyt (300 ml) ja pitkä (600 ml). Käytä pidikkeeseen sopivaa liittintä.

Varren ja männän asentaminen

► Kuva9

► Kuva10

Työnnä varsi työkalussa olevaan aukkoon. Kiinnitä mäntä ja kiristä se paikalleen ruuvilla. Varsi ja mäntä irrotetaan päinvastaisessa järjestyksessä.

HUOMAUTUS:

- Varren hammastuksen on oltava alaspäin.
- Mäntä on kolmea tyyppiä: Tyypin A mäntä on tarkoitettu patruunapakkauskille. Tyypin B mäntä tarkoitettu kalvopakkauskille. Tyypin C mäntä on tarkoitettu suoratäyttöön.
- Valitse mäntä käytettävän tiivistemassapakkauksen mukaan. Vääränlainen mäntä saattaa aiheuttaa vuotoja tai työkalun rikkoutumisen.
- Varsia on kahta tyyppiä: Lyhyt varsi lyhyelle pidikkeelle (300 ml) ja pitkä varsi pitkälle pidikkeelle (600 ml). Valitse varsi käytettävän pidikkeen mukaan.
- Pidä mäntä ja varsi aina puhtaina. Kiinni tarttuva tiivistemassa voi vaurioittaa työkalua.

Pidikkeen asentaminen

► Kuva11

► Kuva12

Pidä kiinni pidikkeen alaosasta ja pidikkeen liittimestä. Kierrä sitten pidikettä myötäpäivään. Kiristä pidike tiukasti, kunnes se pysähtyy. Varmista, että pidike on tiukasti kiinni. Muuten työkalu voi vaurioitua. Irrota pidike kiertämällä sitä vastapäivään.

HUOMAA:

- Voit tarvittaessa kiertää pidikettä käyttökohteen mukaan.
- Lyhyt pidike (300 ml) on tarkoitettu käytettäväksi vain patruunapakkausten kanssa. Käytä lyhyen pidikkeen (300 ml) kanssa vain A-tyypin mäntää. Älä käytä lyhyttä pidikettä kalvopakkausten tai suoratäytön kanssa. Valitse myös varsi käytettävän pidikkeen mukaan.

Patruunapakkauksen asentaminen

HUOMAUTUS:

- Varmista, että varteen on kiinnitetty tyyppiin A mäntä. Älä käytä patruunapakkausten kanssa muun tyyppisiä mäntiä.

Patruunapakkauksen asentaminen lyhyeen pidikkeeseen (300 ml)

► **Kuva13:** 1. Varren kahva

Vedä kahvaa hitaasti taaksepäin, kunnes se pysähtyy.

► **Kuva14**

Aseta patruuna pidikkeeseen kuvassa esitetyllä tavalla. Työnnä vartta varovasti, kunnes mäntä koskettaa patruunan pohjaa.

Kun haluat poistaa patruunan, vedä vartta taaksepäin kunnes se pysähtyy ja nosta patruuna pois.

Patruunapakkauksen asentaminen pitkään pidikkeeseen (600 ml)

► **Kuva15:** 1. Pidikkeen kansi 2. Varren kahva

Irrota pidikkeen kansi pidikkeestä.

Vedä kahvaa hitaasti taaksepäin, kunnes se pysähtyy.

► **Kuva16:** 1. Pidikkeen kansi

Työnnä patruuna pidikkeeseen.

Kiinnitä pidikkeen kansi. Varmista, että se on tiukasti kiinni.

Työnnä vartta varovasti, kunnes mäntä koskettaa patruunan pohjaa.

Kun haluat poistaa patruunan, irrota pidikkeen korkki ja vedä patruuna ulos.

HUOMAUTUS:

- Tarkista aina ennen patruunan asentamista työkaluun, ettei patruunassa ole reikiä tai muita vaurioita. Älä käytä vaurioituneita patruunoita, sillä ne voivat vaurioittaa työkalua.
- Jos käytät osittain käytettyä patruunaa, poistaa patruunaan mahdollisesti tarttunut tiivistemassa.

Kalvopakkauksen asentaminen

HUOMAUTUS:

- Varmista, että varteen on kiinnitetty tyyppiin B mäntä. Älä käytä kalvopakkausten kanssa muun tyyppisiä mäntiä.
- Kalvopakkauksen voi asentaa vain pitkään pidikkeeseen (600 ml).

Irrota pidikkeen kansi, suutin ja kumirengas pidikkeestä.

Vedä kahvaa hitaasti taaksepäin, kunnes se pysähtyy.

► **Kuva17**

Leikkaa kalvopakkauksen kärki auki.

Työnnä kalvopakkaus pidikkeeseen.

► **Kuva18:** 1. Kumirengas 2. Suutin 3. Pidikkeen kansi

Kiinnitä kumirengas, suutin ja pidikkeen kansi.

Varmista, että pidikkeen kansi on tiukasti kiinni.

Työnnä vartta varovasti, kunnes mäntä koskettaa kalvopakkauksen pohjaa.

HUOMAA:

- Tarkista aina ennen kalvopakkauksen asentamista työkaluun, ettei pakkauksessa ole reikiä tai muita vaurioita. Älä käytä vaurioituneita kalvopakkauksia, sillä ne voivat vaurioittaa työkalua.

Suoratäyttö

HUOMAUTUS:

- Varmista, että varteen on kiinnitetty tyyppiin C mäntä. Älä käytä suorätätön kanssa muun tyyppisiä mäntiä.
- Suoratäyttöä voi käyttää vain pitkän pidikkeen (600 ml) kanssa.

Irrota pidikkeen kansi, suutin ja kumirengas pidikkeestä. Varmista, että varren kahva on työnnettynä mahdollisimman eteen.

Työnnä pidikkeen suu tiivistemassaan.

Vedä varren kahvaa hitaasti, kunnes pidikkeessä on haluttu määrä tiivistemassaa.

Kiinnitä kumirengas, suutin ja pidikkeen kansi.

Varmista, että pidikkeen kansi on tiukasti kiinni.

HUOMAUTUS:

- Puhdista pidike asianmukaisella liuottimella käytön jälkeen. Muuten kiinni tarttunut tiivistemassa voi vaurioittaa työkalua.

TYÖSKENTELY

⚠HUOMIO:

- Älä kosketa vartta käytön aikana. Sormesi voi jäädä puristuksiin varren ja työkalun rungon väliin.
- Pidä aina suojalaseja käytön aikana.

HUOMAUTUS:

- Älä peitä ilmanvaihtoaukkoja, sillä se voi aiheuttaa työkalun ylikuumentumisen ja vaurioitumisen.
- Jos et pysty vetämään vartta ulos, käännä nopeudensäätöpyörä asentoon 1 ja paina lyhyesti liipaisinkytkintä. Kun moottori pysähtyy, yritä vetää varsi ulos. Jos varsi on edelleen juuttunut kiinni, toista toimenpide, kunnes se alkaa liikkua.

Leikkaa suuttimen kärki kuhunkin käyttötarkoitukseen sopivaksi. Harkitse huolellisesti, kuinka paljon leikkaat suutinta. Suuttimen halkaisija vaikuttaa pursotettavan tiivistemassan määrään.

Pursota tiivistemassaa painamalla liipaisinta.

Pursotettavan tiivistemassan määrään vaikuttavat liipaisinkytkimen ja nopeudensäätöpyörän asento, suuttimen halkaisija, tiivistemassan tyyppi sekä lämpötila.

Aluksi on suositeltavaa kääntää nopeudensäätöpyörä asentoon 1 ja painaa liipaisinta varovasti. Sen jälkeen pursotettavan tiivistemassan määrää voi tarvittaessa lisätä. Kun varsi on työntynyt ääriasentoonsa eteen, moottori alkaa pyöriä tyhjä. Kun näin tapahtuu, lisää tiivistemassaa.

HUOMAA: Jos työkalusta ei tule ulos tiivistemassaa, syy voi olla jokin seuraavista:

- Suuttimen kärkeä ei ole leikattu tarpeeksi auki. Leikkaa suuttimen kärki auki käyttötarkoituksen edellyttämällä tavalla.
- Kovettunut massa tukkii suuttimen. Poista kovettunut massa.
- Patruuna on vaurioitunut. Vaihda patruuna.
- Tiivistemassa on jäykkää. Lämmitä massaa, kunnes se pehmenee.
- Käytössä on väärä mäntä. Käytä oikeaa mäntää.

KUNNOSSAPITO

⚠️HUOMIO:

- Varmista aina ennen tarkastuksia tai huoltoa, että laite on sammutettu ja akku irrotettu. Tämä ei kuitenkaan koske lampun vianmääritystä koskevia kohtia.
- Älä koskaan käytä bensiiniä, ohentimia, alkoholia tai tms. aineita. Muutoin pinta voi halkeilla tai sen värit ja muoto voivat muuttua.
- Puhdista pidike ja varsi aina työpäivän päätteeksi. Pidä ne puhtaina tarttuvasta aineesta. Poista tiivistemassa ennen sen kovettumista. Tarttuvien aineiden jäämät voivat vaurioittaa työkalua.

Tuotteen TURVALLISUUDEN ja LUOTETTAVUUDEN säilyttämiseksi Makitan valtuutetun huoltokeskuksen tulee suorittaa korjaukset, hiiliharjojen tarkastus ja vaihto, sekä muut huolto- tai säätötyöt Makitan varaosia käyttäen.

LISÄVARUSTEET

⚠️HUOMIO:

- Näitä lisävarusteita ja -laitteita suositellaan käytettäväksi tässä ohjekirjassa mainitun Makitan koneen kanssa. Minkä tahansa muun lisävarusteen tai -laitteen käyttäminen voi aiheuttaa loukkaantumisvaaran. Käytä lisävarusteita ja -laitteita vain niiden käyttötarkoituksen mukaisesti.

Jos tarvitset apua tai yksityiskohtaisempia tietoja seuraavista lisävarusteista, ota yhteys paikalliseen Makitan huoltoon.

- Tyypin A mäntä
- Tyypin B mäntä
- Tyypin C mäntä
- Lyhyt pidikesarja (300 ml)
- Pitkä pidikesarja (600 ml)
- Suutin
- Suojalasit
- Aito Makitan akku ja laturi

HUOMAA:

- Jotkin luettelossa mainitut varusteet voivat sisältyä työkalun toimitukseen vakiovarusteina. Ne voivat vaihdella maittain.

SPECIFIKĀCIJAS

Modeļis		DCG140		DCG180	
Maks. padeves jauda		5 000 N			
Padeves ātrums		0 - 28 mm/s			
Gājiens	ar īso (300 ml) turētāju	214 mm			
	ar garo (600 ml) turētāju	350 mm			
Kopējais garums	ar īso (300 ml) turētāju	404 mm			
	ar garo (600 ml) turētāju	538 mm			
Standarta akumulatora kasetne		BL1415 / BL1415N	BL1430 / BL1430B / BL1440 / BL1450 / BL1460B	BL1815 / BL1815N / BL1820 / BL1820B	BL1830 / BL1830B / BL1840 / BL1840B / BL1850 / BL1850B / BL1860B
Neto svars	ar īso (300 ml) turētāju	2,0 kg	2,2 kg	2,1 kg	2,3 kg
	ar garo (600 ml) turētāju	2,4 kg	2,6 kg	2,5 kg	2,7 kg
Nominālais spriegums		Līdzstrāva 14,4 V		Līdzstrāva 18 V	

- Dēļ mūsu nepārtrauktās pētniecības un izstrādes programmas, šeit dotās specifikācijas var mainīties bez brīdinājuma.
- Specifikācijas un akumulatora kasetne dažādās valstīs var atšķirties.
- Svārs ar akumulatora kasetni atbilstošs EPTA procedūrai 01/2003

Paredzētais lietojums

Šī ierīce ir paredzēta blīvēšanas materiāla uzklāšanai uz virsmas.

Troksnis

Tipiskais A-svērtais trokšņa līmenis ir noteikts saskaņā ar EN60745:

Skaņas spiediena līmenis (L_{pA}): 70 dB (A) vai mazāk
Neskaidrība (K): 3 dB (A)

Darbības laikā trokšņa līmenis var pārsniegt 80 dB (A).

Lietojiet ausu aizsargus

Vibrācija

Vibrācijas kopējā vērtība (trīs asu vektora summa) noteikta saskaņā ar EN60745:

Vibrācijas emisija (a_{h1}): 2,5 m/s² vai mazāk
Neskaidrība (K): 1,5 m/s²

PIEZĪME: Paziņotā vibrācijas emisijas vērtība noteikta atbilstoši standarta pārbaudes metodei un to var izmantot, lai salīdzinātu vienu darbarīku ar citu.

PIEZĪME: Paziņoto vibrācijas emisijas vērtību arī var izmantot iedarbības sākotnējā novērtējumā.

▲BRĪDINĀJUMS: Reāli lietojot mehānizēto darbarīku, vibrācijas emisija var atšķirties no paziņotās emisijas vērtības atkarībā no darbarīka izmantošanas veida.

▲BRĪDINĀJUMS: Lai aizsargātu lietotāju, nosakiet drošības pasākumus, kas pamatoti no iedarbību reālos darba apstākļos (ņemot vērā visus ekspluatācijas cikla posmus, piemēram, laiku, kamēr darbarīks ir izslēgts un kad darbojas tukšgaitā, kā arī palaides laiku).

Tikai Eiropas valstīm

EK Atbilstības deklarācija

Makita paziņo, ka šāds instruments(-i):

Instrumenta nosaukums:

Bezvādu blīvēšanas pistole

Modeļa Nr./veids: DCG140, DCG180

Atbilst sekojošām Eiropas Direktīvām:

2006/42/EC

Ražots saskaņā ar šādu standartu vai normatīvajiem dokumentiem:

EN60745

Tehniskā lieta atbilstīgi 2006/42/EK ir pieejama:

Makita, Jan-Baptist Vinkstraat 2, 3070, Beļģija

31.12.2013



Yasushi Fukaya
Direktors

Makita, Jan-Baptist Vinkstraat 2, 3070, Beļģija

Vispārējie mehānizēto darbarīku drošības brīdinājumi

▲BRĪDINĀJUMS Izlasiet visus drošības brīdinājumu un visus norādījumus. Brīdinājumu un norādījumu neievērošanas gadījumā var rasties elektriskās strāvas trieciens, ugunsgrēks un/vai nopietnas traumas.

Glabājiet visus brīdinājumus un norādījumus, lai varētu tajos ieskatīties turpmāk.

BEZVADU BLĪVĒŠANAS PISTOLE DROŠĪBAS BRĪDINĀJUMI

1. Uzturiet rokas un apģērbu atstatu no kāta un plunžera zonas. Citādi var tikt iespiests jūsu pirksts vai apģērbs.
2. Vienmēr pārliecinieties, ka jūsu kājām ir stabils atbalsts.
3. Turiet ierīci cieši.
4. Vienmēr strādājiet labi ventilējamā zonā un izmantojiet pareizus aizsarglīdzekļus atbilstoši veicamajam darbam.
5. Pirms izmantošanas izlasiet un ievērojiet ražotāja instrukcijas attiecībā uz blīvēšanas vai līmes materiāliem.

SAGLABĀJIET ŠOS NORĀDĪJUMUS.

▲BRĪDINĀJUMS: NEZAUĒĒJIET modrību darbarīka lietošanas laikā (tas var gadīties pēc darbarīka daudzkārtējas izmantošanas), rūpīgi ievērojiet urbšanas drošības noteikumus šim izstrādājumam. **NEPAREIZAS LIETOŠANAS** vai šīs rokasgrāmatas drošības noteikumu neievērošanas gadījumā var gūt smagas traumas.

Svarīgi drošības norādījumi par akumulatora kasetni

1. Pirms akumulatora lietošanas izlasiet visus norādījumus un brīdinājumus, kuri attiecas uz (1) akumulatora lādētāju, (2) akumulatoru un (3) ierīci, kurā tiek izmantots akumulators.
2. Neizjauciet akumulatoru.
3. Ja akumulatora darbības laiks kļuva ievērojami īsāks, nekavējoties pārtrauciet to izmantot. Citādi, tas var izraisīt pārkarsējumu, uzliesmojumu vai pat sprādzienu.
4. Ja elektrolīts nonāk acīs, izskalojiet tās ar tīru ūdens un nekavējoties griezieties pie ārsta. Tas var izraisīt redzes zaudēšanu.
5. Neradiet īssavienojumu akumulatora kasetnē:
 - (1) Nepieskarieties spaiļēm ar elektrību vadošiem materiāliem.
 - (2) Neuzglabājiet akumulatoru kasetni kopā ar citiem metāla priekšmetiem, tādiem kā naglas, monētas u. c.
 - (3) Nepakļaujiet akumulatora kasetni ūdens vai lietus iedarbībai.Akumulatora īssavienojums var radīt spēcīgu strāvas plūsmu, pārkarsānu, uzliesmojumu un pat sabojāt akumulatoru.
6. Neglabājiet darbarīku un akumulatora kasetni vietās, kur temperatūra var sasniegt vai pārsniegt 50 °C (122 °F).
7. Nededziniet akumulatora kasetni, pat ja tā ir stipri bojāta vai pilnībā nolietota. Akumulatora kasetne ugunī var eksplodēt.
8. Uzmanieties, lai neļautu akumulatoram nokrist un nepakļautu to sitenam.

9. Neizmantojiet bojātu akumulatoru.
10. Uz izmantotajiem litiņa jonu akumulatoriem attiecas likumdošanas prasības par bīstamiem izstrādājumiem. Komerciālā transportēšanā, ko veic, piemēram, trešās puses, transporta uzņēmumi, jāievēro uz iesaņojuma un marķējuma norādītās īpašās prasības. Lai izstrādājumu sagatavotu nosūtīšanai, jāsaņina ar bīstamo materiālu speciālistu. Ievērojiet arī citus attiecināmos valsts normatīvus. Vaļējus kontaktus nosedziet ar līmlenti vai citādi pārklājiet, bet akumulatoru iesaņojiet tā, lai sānīt tas nevarētu izkustēties.
11. Ievērojiet vietējos noteikumus par akumulatora likvidēšanu.
12. Izmantojiet šos akumulatorus tikai ar izstrādājumiem, kurus norādījis Makita. Ievietojot šos akumulatorus nesaderīgos izstrādājumos, var rasties ugunsgrēks, pārmērīgs karstums, tie var uzsprāgt vai no tiem var iztecēt elektrolīts.

SAGLABĀJIET ŠOS NORĀDĪJUMUS.

▲UZMANĪBU: Lietojiet tikai oriģinālos Makita akumulatorus. Ja lietojat neoriģinālus Makita akumulatorus vai pārveidotus akumulatorus, tie var uzsprāgt un izraisīt aizdegšanos, traumas un materiālos zaudējumus. Tikš anulēta arī Makita darbarīka un lādētāja garantija.

Ieteikumi akumulatora kalpošanas laika pagarināšanai

1. Uzlādējiet akumulatora kasetni, pirms tā ir pilnībā izlādējusies. Vienmēr, kad ievērojāt, ka darbarīka darba jauda zudusi, apturiet darbarīku un uzlādējiet akumulatora kasetni.
2. Nekad neuzlādējiet pilnībā uzlādētu akumulatora kasetni. Pārmērīga uzlāde saīsina akumulatora kalpošanas laiku.
3. Uzlādējiet akumulatora kasetni iustabastemperatūrā 10 °C - 40 °C. Karstai akumulatora kasetnei pirms uzlādes ļaujiet atdzist.
4. Uzlādējiet litiņa jonu akumulatora kasetni, ja to ilgstoši nelietosit (vairāk nekā sešus mēnešus).

FUNKCIJU APRAKSTS

⚠ UZMANĪBU:

- Pirms darbarīka regulēšanas vai tā darbības pārbaudes vienmēr pārliecinieties, ka darbarīks ir izslēgts un akumulatora kasetne ir izņemta.

Akumulatora kasetnes uzstādīšana un izņemšana

- **Att.1:** 1. Sarkans indikators 2. Poga 3. Akumulatora kasetne

⚠ UZMANĪBU:

- Vienmēr pirms akumulatora kasetnes uzstādīšanas vai noņemšanas izslēdziet darbarīku.
- Uzstādot vai izņemot akumulatora kasetni, darbarīku un akumulatora kasetni turiet cieši. Ja darbarīku un akumulatora kasetni netur cieši, tie var izkrist no rokām un radīt bojājumus darbarīkam un akumulatora kasetnei, kā arī izraisīt ievainojumus.

Lai izņemtu akumulatora kasetni, izvelciet to no darbarīka, pārbīdot kasetnes priekšpusē esošo pogu. Lai uzstādītu akumulatora kasetni, salāgojiet mēlīti uz akumulatora kasetnes ar rievu ietvarā un iebīdīdīt to vietā. Bīdīt to iekšā līdz klikšķim, kas nozīmē, ka tā ir pareizi uzstādīta. Ja pogas augšējā daļā ir redzams sarkans indikators, tas nozīmē, ka tā nav pilnīgi bloķēta.

⚠ UZMANĪBU:

- Vienmēr ievietojiet akumulatora kasetni tā, lai sarkanais indikators nebūtu redzams. Pretējā gadījumā tā var nejauši izkrist no darbarīka un radīt jums vai apkārtnējiem ievainojumu.
- Neievietojiet akumulatora kasetni ar spēku. Ja kasetne neslīd ietvarā viegli, tā nav pareizi ielikta.

Akumulatora aizsardzības sistēma

Darbarīks ir aprīkots ar akumulatora aizsardzības sistēmu. Šī sistēma automātiski izslēdz jaudas padevi motoram, lai pagarinātu akumulatora kalpošanas laiku. Darbarīks automātiski pārstās darboties ekspluatācijas laikā, ja darbarīku un/vai akumulatoru pakļaus kādam no šiem apstākļiem:

- Pārslodze:
Darbarīku ekspluatācijas laikā lieto tādā veidā, ka tas saista pārmērīgu strāvu. Šādā gadījumā atļaidiet darbarīka slēdža mēlīti un pārtrauciet darbību, kas izraisa darbarīka pārslodzi. Pēc tam vēlreiz nospiediet slēdža mēlīti, lai atsāktu. Ja darbarīks nesāk darboties, akumulators ir pārkarsis. Šādā gadījumā ļaujiet akumulatoram atdzist, pirms vēlreiz nospiežat slēdža mēlīti.
- Zema akumulatora jauda:
Akumulatora atlikusi jauda ir pārāk zema, un darbarīks nedarbošies. Šādā gadījumā akumulatoru noņemiet un veiciet tam uzlādi.

PIEZĪME: Aizsardzība pret pārkaršanu darbojas tikai ar akumulatoru, kam ir zvaigznes marķējums.










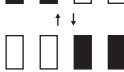
- **Att.2:** 1. Zvaigznes emblēma

Atlikušās akumulatora jaudas indikators

Tikai akumulatora kasetnēm ar indikatoru

- **Att.3:** 1. Indikatora lampas 2. Pārbaudes poga

Nospiediet akumulatora kasetnes pārbaudes pogu, lai pārbaudītu akumulatora atlikušo uzlādes līmeni. Indikatoru iedegsies uz dažām sekundēm.

Indikatora lampas			Atlikusī jauda
 Iededzies	 Izslēgts	 Mirgo	
			No 75% līdz 100%
			No 50% līdz 75%
			No 25% līdz 50%
			No 0% līdz 25%
			Uzlādējiet akumulatoru.
			Iespējama akumulatora kļūme.
			

PIEZĪME: Reālā jauda var nedaudz atšķirties no norādītās atkarībā no lietošanas apstākļiem un apkārtnējās temperatūras.

Ātruma regulēšanas skala

- **Att.4:** 1. Ātruma regulēšanas skala

Darbarīka ātrumu var regulēt, pagriežot skalu. Lielāku ātrumu iegūst, pagriežot skalu numura „5” virzienā; mazāku ātrumu iegūst, to pagriežot numura „1” virzienā.

PIEZĪME:

- Ātruma regulēšanas skala var tikt griezta tikai no 1 līdz 5. Nemēģiniet ar spēku to pagriezt tālāk, tā varat sabojāt instrumentu.
- Bīvēšanas materiāla veida un stāvokļa dēļ bīvēšanas materiāls nelielā ātrumā varētu nebūt pievadāms. Šādā gadījumā ātruma regulēšanas skalu iestatiet lielākā ātrumā.

Pārslodzes brīdinājuma lampiņa

- **Att.5:** 1. Brīdinājuma lampiņa

Brīdinājuma lampiņa mirgo sarkanā krāsā, kad darbarīks ir pārslogots. Ja slodze sasniedz noteiktu punktu, lampiņa paliek degot sarkanā krāsā un darbarīks apstājas. Lai no jauna iedarbinātu darbarīku, atļaidiet slēdži un nospiediet to vēlreiz.

PIEZĪME: Pārbaudiet, kas izraisa pārslodzi, kad lampiņa iemirgojas vai iedegas. Mainiet zemāku ātruma regulēšanas skalas parametru vai palieliniet lielāku sprauslas diametru.

Slēdža darbība

⚠ UZMANĪBU:

- Pirms akumulatora kasetnes uzstādīšanas darbarīkā, vienmēr pārbaudiet, vai slēdža mēlīte darbojas pareizi un pēc atlaišanas atgriežas "OFF" (izslēgts) stāvoklī.
- Kad nedarbināt darbarīku, pastumiet mēlītes bloķēšanas pogu no „A” puses, lai nobloķētu slēdža mēlīti pozīcijā „OFF” (izslēgts).

► **Att.6:** 1. Bloķēšanas svira 2. Slēdža mēlīte

Lai nepieļautu slēdža mēlītes nejaušu nospiešanu, darbarīks ir aprīkots ar mēlītes bloķēšanas pogu. Lai iedarbinātu darbarīku, pastumiet bloķēšanas pogu no „B” puses un nospiediet slēdža mēlīti. Darbarīka ātrums pieaug, palielinoties spiedienam uz slēdža mēlītes. Lai apturētu darbarīku, atļaidiet slēdža mēlīti. Pēc izmantošanas nospiediet uz iekšu mēlītes bloķēšanas pogu no „A” puses.

Lampas ieslēgšana

⚠ UZMANĪBU:

- Neskatieties gaismā, neļaujiet tās avotam iespiēdēt acīs.

► **Att.7:** 1. Lampa

Lai iedegtu lampiņu, nospiediet slēdža mēlīti. Kamēr slēdža mēlīte ir nospiesta, lampiņa ir iedegta. Lampiņa nodziest aptuveni 10 sekundes pēc slēdža mēlītes atlaišanas.

PIEZĪME:

- Ar sausu lupatiņu noslaukiet netīrumus no lampas lēcas. Izvairieties saskrāpēt lampas lēcu, jo tādējādi tiek samazināts apgaismojums.
- Ja darbarīks ir pārkaršēts, lampiņa mirgo. Pirms darbināšanas no jauna pilnībā atdzesējiet darbarīku.

Pilēšanas novēršanas funkcija

Motors turpina darboties īsu brīdi arī pēc mēlītes atlaišanas. Tas atbrīvo blīvēšanas materiāla spiedienu un novērš pilēšanu.

MONTĀŽA

⚠ UZMANĪBU:

- Pirms darbarīka regulēšanas vai apkopes vienmēr pārliecinieties, ka darbarīks ir izslēgts un akumulatora kasetne ir izņemta.
- Veicot jebkādu montāžas darbu, vienmēr novietojiet instrumentu uz zemes vai darbgalda. Cieši nenoturēts darbarīks var zaudēt līdzsvaru un radīt traumu.

Turētāja savienojuma uzstādīšana

► **Att.8**

Pievienojiet turētāja savienojumu stingri gar darbarīku, uzstādiet plāksni un cieši nostipriniet to ar skrūvēm. Lai noņemtu turētāja savienojumu, veiciet iepriekš aprakstītās darbības pretējā secībā.

PIEZĪME:

- Ir divu veidu turētāji (papildaprīkojums) – Īsais turētājs (300 ml) un garais turētājs (600 ml). Attiecīgi izmantojiet atbilstošo turētāju.

Kāta un virzuļa uzstādīšana

► **Att.9**

► **Att.10**

Ievietojiet kātu darbarīka šķēlumā. Pievienojiet virzuli un pievelciet to ar skrūvē. Lai noņemtu kātu un virzuli, veiciet iepriekš aprakstīto uzstādīšanas procedūru pretējā secībā.

PIEZĪME:

- Zobiem uz kāta jābūt vērstiem uz leju.
- Ir trīs veidu virzuļi. „A” virzulis kasetēm. „B” virzulis plēves veida iesaiņojumiem. „C” virzulis tiešajai uzpildei.
- Izvēlieties piemēroto virzuli atbilstoši blīvēšanas materiāla tvirtnes veidam. Nepareizs virzulis var izraisīt noplūdi vai darbarīka bojājumu.
- Ir divi kātu veidi. Īsais kāts īsajam turētājam (300 ml) un garais kāts garajam turētājam (600 ml). Izmantojiet piemēroto kātu atbilstoši turētāja veidam.
- Vienmēr uzturiet kātu un virzuli tīru. Pielipis blīvēšanas materiāls var sabojāt darbarīku.

Turētāja uzstādīšana

► **Att.11**

► **Att.12**

Turiet turētāja un turētāja savienojuma apakšu, pēc tam grieziet turētāju pulksteņrādītāju kustības virzienā. Stingri to pievelciet, līdz tas apstājas. Pārliecinieties, ka turētājs ir cieši pievilks. Citādi darbarīks var tikt sabojāts. Lai noņemtu turētāju, grieziet to pretēji pulksteņrādītāju kustības virzienam.

PIEZĪME:

- Lai atvieglotu darbību, jūs varat pagriezt turētāju atbilstoši nepieciešamajām situācijām.
- Īsais turētājs (300 ml) ir paredzēts tikai kasetēm. Izmantojiet tikai „A” virzuli ar īso turētāju (300 ml) un neizmantojiet plēves veida iesaiņojumiem vai tiešajai uzpildei. Izmantojiet arī piemēroto kātu atbilstoši turētāja veidam.

Kasetes uzstādīšana

PIEZĪME:

- Pārliecinieties, ka „A” virzulis ir pievienots kātam. Neizmantojiet kasetei cita veida virzuli.

Kasetes uzstādīšana īsajā turētājā (300 ml)

► **Att.13:** 1. Kāta rokturis

Lēnām velciet kāta rokturi atpakaļ, līdz tas apstājas.

► **Att.14**

Ievietojiet kaseti turētājā, kā parādīts attēlā.

Viegli stumiet kātu, līdz virzulis skar kasetes apakšu.

Lai noņemtu kaseti, velciet stieni atpakaļ, līdz tas apstājas, pēc tam izceliet kaseti ārā.

Kasetes uzstādīšana garajā turētājā (600ml)

► **Att.15:** 1. Turētāja vāciņš 2. Kāta rokturis

Noņemiet turētāja vāciņu no turētāja.

Lēnām velciet kāta rokturi atpakaļ, līdz tas apstājas.

► **Att.16:** 1. Turētāja vāciņš

Ievietojiet kaseti turētājā.

Pievienojiet turētāja vāciņu. Pārliecinieties, ka tas ir cieši pievilkt.

Viegli stumiet kātu, līdz virzulis skar kasetes apakšu.

Lai noņemtu kaseti, noņemiet turētāja vāciņu, pēc tam izņemiet ārā kaseti.

PIEZĪME:

- Pirms uzstādīšanas vienmēr pārbaudiet, vai kasete nav pārdupta vai bojāta. Neizmantojiet bojātu kaseti, jo citādi darbarīks var tikt bojāts.
- Izmantojot jau daļēji lietotu kaseti, noņemiet jebkādu uz tās pielipušu materiālu.

Plēves veida iesaiņojuma uzstādīšana

PIEZĪME:

- Pārliecinieties, ka “B” virzulis ir pievienots kātam. Neizmantojiet plēves veida iesaiņojumam cita veida virzuli.
- Plēves veida iesaiņojumu var uzstādīt tikai garajā turētājā (600 ml).

Noņemiet turētāja vāciņu, sprauslu un gumijas gredzenu no turētāja.

Lēnām velciet kāta rokturi atpakaļ, līdz tas apstājas.

► **Att.17**

Nogrieziet plēves veida iesaiņojuma galu.

Ievietojiet plēves veida iesaiņojumu turētājā.

► **Att.18:** 1. Gumijas gredzens 2. Sprausla 3. Turētāja vāciņš

Pievienojiet gumijas gredzenu, sprauslu un turētāja vāciņu. Pārliecinieties, ka turētāja vāciņš ir cieši pievilkt.

Viegli stumiet kātu, līdz virzulis skar plēves veida iesaiņojuma apakšu.

PIEZĪME:

- Pirms uzstādīšanas vienmēr pārbaudiet, vai plēves veida iesaiņojums nav pārdupts vai bojāts. Neizmantojiet bojātu iesaiņojumu, jo citādi darbarīks var tikt bojāts.

Tiešā uzpilde

PIEZĪME:

- Pārliecinieties, ka “C” virzulis ir pievienots kātam. Neizmantojiet tiešajai uzpildei cita veida virzuli.
- Tiešo uzpildi var veikt tikai ar garo turētāju (600 ml).

Noņemiet turētāja vāciņu, sprauslu un gumijas gredzenu no turētāja.

Pārliecinieties, ka kāta rokturis ir novietots priekšējā galējā pozīcijā.

Iegremdējiet turētāja galu blīvēšanas materiālā.

Lēnām velciet kāta rokturi, līdz nepieciešamais blīvēšanas materiāls ir iepildīts turētājā.

Pievienojiet gumijas gredzenu, sprauslu un turētāja vāciņu.

Pārliecinieties, ka turētāja vāciņš ir cieši pievilkt.

PIEZĪME:

- Pēc katras darba dienas notīriet turētāju ar atbilstošu šķīdinātāju. Citādi pielipušais blīvēšanas materiāls var radīt darbarīka bojājumus.

EKSPLUATĀCIJA

⚠UZMANĪBU:

- Neskariet kātu ekspluatācijas laikā. Citādi jūsu pirksts var tikt iespiests starp kātu un darbarīka korpusu.
- Darbības laikā vienmēr izmantojiet aizsargbrilles.

PIEZĪME:

- Neapklājiet atveres, jo tas var izraisīt darbarīka pārkaršanu un bojājumus.
- Ja jūs nevarat izvilkt stieni, pagrieziet ātruma regulēšanas skalu uz “1” un uz brīdi nospiediet slēdzņa mēlīti, un pēc tam, kad motors ir apturēts, mēģiniet vilkt stieni uz āru. Ja kāts joprojām ir iestrēdzis, veiciet to pašu darbību, līdz kāts ir spējīgs pārvietoties.

Nogrieziet sprauslas galu piemēroti katrai atsevišķai darbībai. Esiet uzmanīgs, cik daudz jūs nogriežat uzgali.

Sprauslas diametrs ietekmē padotā blīvēšanas materiāla daudzumu.

Lai padotu blīvēšanas materiālu, nospiediet mēlīti.

Padotā blīvēšanas materiāla daudzumu nosaka mēlītes darbība, ātruma regulēšanas skalas pozīcija, sprauslas atveres diametrs, blīvēšanas materiāla veids un temperatūra.

Ir ieteicams, lai pirmajā reizē ātruma regulēšanas skala būtu iestatīta uz “1” un mēlīte tiktu spiesta lēnām, lai pārbaudītu, cik daudz blīvēšanas materiāla tiek padots.

Kad stienis sasniedz priekšgalu, motors sāk darboties tukšgaitā. Kad tas notiek, papildiniet blīvēšanas materiālu.

PIEZĪME: Ja blīvēšanas materiāls netiek padots, pārbaudiet šādas pozīcijas:

- Sprauslas gals nav atbilstoši nogriezts. Nogrieziet sprauslas galu piemēroti katrai atsevišķai darbībai.
- Sprauslā iestrēdzis sacietējis materiāls. Izņemiet sacietējušo materiālu.
- Kasete ir bojāta. Nomainiet kaseti.
- Blīvēšanas materiāls ir ciets. Sildiet materiālu, līdz tas kļūst mīksts.
- Izmantots nepareizs virzulis. Izmantojiet pareizu virzuli.

APKOPE

⚠UZMANĪBU:

- Pirms darbarīka pārbaudes vai apkopes, izņemot saistībā ar apgaismojumu tālākminētās traucējummeklēšanas gadījumā, vienmēr pārliedzieties, vai darbarīks ir izslēgts un akumulatora kasetne ir izņemta.
- Nekad neizmantojiet gāzoliņu, benzīnu, atšķaidītāju, spirtu vai līdzīgus šķidrumus. Tas var radīt izbalēšanu, deformāciju vai plaisas.
- Pēc katras darba dienas notīriet turētāju un kātu. Uzturiet tos tīrus no pielipušā materiāla. Notīriet blīvēšanas materiālu, pirms tas sacietē. Pielipis atlikušais materiāls var radīt darbarīka bojājumu.

Lai uzturētu izstrādājuma DROŠĪBU un UZTICAMU darbību, remonts, oglekļa suku pārbaude un maiņa, jebkāda cita apkope vai regulēšana jāveic Makita pilnvarotiem apkopes centriem, vienmēr izmantojot Makita rezerves daļas.

PAPILDU PIEDERUMI

⚠UZMANĪBU:

- Šādi piederumi un rīki tiek ieteikti lietošanai ar šajā pamācībā aprakstīto Makita instrumentu. Jebkādu citu piederumu un rīku izmantošana var radīt traumu briesmas. Piederumu vai rīku izmantojiet tikai tā paredzētajam mērķim.

Ja jums vajadzīga palīdzība vai precīzāka informācija par šiem piederumiem, vērsieties savā tuvākajā Makita apkopes centrā.

- Virzulis „A”
- Virzulis „B”
- Virzulis „C”
- Īsā turētāja (300 ml) komplekts
- Garā turētāja (600 ml) komplekts
- Uzglis
- Aizsargbrilles
- Makita oriģinālais akumulators un lādētājs

PIEZĪME:

- Daži sarakstā norādītie izstrādājumi var būt iekļauti instrumenta komplektācijā kā standarta piederumi. Tie dažādās valstīs var būt atšķirīgi.

SPECIFIKACIJOS

Modelis		DCG140		DCG180	
Maksimali tiekimo jėga		5 000 N			
Tiekimo greitis		0–28 mm/s			
Taktas	naudojant trumpą (300 ml) laikiklį	214 mm			
	naudojant ilgą (600 ml) laikiklį	350 mm			
Bendras ilgis	naudojant trumpą (300 ml) laikiklį	404 mm			
	naudojant ilgą (600 ml) laikiklį	538 mm			
Standartinė akumulatoriaus kasetė		BL 1415 / BL 1415N	BL 1430 / BL 1430B / BL 1440 / BL 1450 / BL 1460B	BL 1815 / BL 1815N / BL 1820 / BL 1820B	BL 1830 / BL 1830B / BL 1840 / BL 1840B / BL 1850 / BL 1850B / BL 1860B
Neto svoris	naudojant trumpą (300 ml) laikiklį	2,0 kg	2,2 kg	2,1 kg	2,3 kg
	naudojant ilgą (600 ml) laikiklį	2,4 kg	2,6 kg	2,5 kg	2,7 kg
nominali įtampa		Nuol. sr. 14,4 V		Nuol. sr. 18 V	

- Atliekame nepertraukiamus tyrimus ir nuolatos tobuliname savo gaminius, todėl čia pateikiamos specifikacijos gali būti keičiamos be įspėjimo.
- Specifikacijos ir akumuliatorių kasetės įvairiose šalyse gali skirtis.
- Svoris su akumulatoriaus kasete pagal Europos elektrinių įrankių asociacijos metodiką „EPTA-Procedure 01/2003“

Numatytoji paskirtis

Šis įrankis skirtas paviršiumi apbruoti užpildo medžiaga.

Triukšmas

Tipiškas A svertinis triukšmo lygis nustatytas pagal EN60745:

Garso slėgio lygis (L_{pA}): 70 dB (A) arba mažiau
Paklaida (K): 3 dB (A)

Dirbant triukšmo lygis gali viršyti 80 dB (A).

Dėvėkite ausų apsaugas

Vibracija

Vibracijos bendroji vertė (trijų ašių vektorinė suma) nustatyta pagal EN60745:

Vibracijos emisija (a_h): 2,5 m/s² arba mažiau
Paklaida (K): 1,5 m/s²

PASTABA: Paskelbtasis vibracijos emisijos dydis nustatytas pagal standartinį testavimo metodą ir jį galima naudoti vienam įrankiui palyginti su kitu.

PASTABA: Paskelbtasis vibracijos emisijos dydis taip pat gali būti naudojamas preliminariai įvertinti vibracijos poveikį.

⚠️ JSPĖJIMAS: Faktiškai naudojant elektrinį įrankį, keliamos vibracijos dydis gali skirtis nuo paskelbtojo dydžio, priklausomai nuo būdų, kuriais yra naudojamas šis įrankis.

⚠️ JSPĖJIMAS: Siekiant apsaugoti operatorių, būtina įvertinkite saugos priemones, remdamiesi vibracijos poveikio įvertinimu esant faktinėms naudojimo sąlygoms (atsižvelgdami į visas darbo ciklo dalis, pavyzdžiui, ne tik kiek laiko įrankis veikia, bet ir kiek kartų jis yra išjungiamas bei kai jis veikia be apkrovų).

Tik Europos šalims

ES atitikties deklaracija

Bendrovė „Makita“ atsakingai pareiškia, kad šis įrenginys (-iai):

Mechanizmo paskirtis:

Belaidis užpildo pistoletas

Modelio Nr./ tipas: DCG140, DCG180

Atitinka šias Europos direktyvas:

2006/42/EC

Yra pagaminti pagal šį standartą arba normatyvinius dokumentus:

EN60745

Techninį dokumentą pagal 2006/42/EB galima gauti iš:

Makita, Jan-Baptist Vinkstraat 2, 3070, Belgium (Belgija)

31.12.2013



Yasushi Fukaya

Direktorius

Makita, Jan-Baptist Vinkstraat 2, 3070, Belgium (Belgija)

Bendrieji perspėjimai darbui su elektriniais įrankiais

⚠️ ĮSPĖJIMAS Perskaitykite visus saugos įspėjimus ir instrukcijas. Nesilaikydami žemiau pateiktų įspėjimų ir instrukcijų galite patirti elektros smūgį, gaisrą ir/arba sunkų sužeidimą.

Išsaugokite visus įspėjimus ir instrukcijas, kad galėtumėte jas peržiūrėti ateityje.

SAUGOS ĮSPĖJIMAI DĖL BELAIDŽIO UŽPILDO PISTOLETO NAUDOJIMO

1. Rankas ir drabužius laikykite atokiai nuo strypo ir plunžerio srities. Antraip tarp dalių gali būti prispausti pirštai arba drabužiai.
2. Būtinai įsitikinkite, kad tvirtai stovite.
3. Tvirtai laikykite įrankį.
4. Visada dirbkite gerai vėdinamoje vietoje ir dėvėkite tinkamas apsaugos priemones, atsižvelgdami į atliekamą darbą.
5. Prieš naudojimą perskaitykite ir vadovaukitės gamintojo nurodymais dėl užpildo medžiagos arba lipnios medžiagos.

SAUGOKITE ŠIAS INSTRUKCIJAS.

⚠️ ĮSPĖJIMAS: NELEISKITE, kad patogumas ir gaminio pažinimas (įgyjamas pakartotinai naudojant) susilpnintų griežtą saugos taisyklių, taikytinų šiam gaminiui, laikymąsi. Dėl NETINKAMO NAUDOJIMO arba saugos taisyklių nesilaikymo, kurios pateiktos šioje instrukcijoje galima rimtai susižeisti.

Svarbios saugos instrukcijos, taikomos akumuliatoriaus kasetei

1. Prieš naudodami akumuliatoriaus kasetę, perskaitykite visas instrukcijas ir perspėjimus ant (1) akumuliatorių įkroviklio, (2) akumuliatorių ir (3) akumuliatorių naudojančio gaminio.
2. Neardykite akumuliatoriaus kasetės.
3. Jei įrankio darbo laikas žymiai sutrumpėjo, nedelsdami nutraukite darbą su įrankiu. Tai gali kelti perkaitimo, nudegimų ar net sprogdimo pavojų.
4. Jei elektrolitas pateko į akis, plaukite jas tyru vandeniu ir nedelsdami kreipkitės į gydytoją. Gali kilti regėjimo praradimo pavojus.
5. Neužtrumpinkite akumuliatoriaus kasetės:
 - (1) Nelieskite kontaktų degiomis medžiagomis.
 - (2) Venkite laikyti akumuliatoriaus kasetę kartu su kitais metaliniais daiktais, pavyzdžiui, vinimis, monetomis ir pan.
 - (3) Saugokite akumuliatoriaus kasetę nuo vandens ir lietaus.

Trumpasis jungimas akumuliatoriuje gali sukelti stiprią srovę, perkaitimą, galimus nudegimus ar net akumuliatoriaus gedimą.

6. Nelaikykite įrankio ir akumuliatoriaus kasetės vietoje, kur temperatūra gali pasiekti ar viršyti 50 °C.
7. Nedeginkite akumuliatoriaus kasetės, net jei yra stipriai pažeista ar visiškai susidėvėjusi. Ugnyje akumuliatoriaus kasetė gali sprogti.
8. Saugokite akumuliatorių nuo kritimo ir smūgių.
9. Nenaudokite pažeisto akumuliatoriaus.
10. Įdėtomis ličio jonų akumuliatoriams taikomi Pavojingų prekių teisės akto reikalavimai. Komercinis transportas, pvz., trečiųjų šalių, prekių vežimo atstovų, turi laikytis specialaus reikalavimo ant pakuotės ir ženklavimo. Norėdami paruošti siųstiną prekę, pasitarkite su pavojingų medžiagų specialistu. Be to, laikykitės galimai išsamesnių nacionalinių reglamentų. Užklijuokite juosta arba padenkite atvirus kontaktus ir supakuokite akumuliatorių taip, kad ji pakuotėje nejudėtų.
11. Vadovaukitės vietos įstatymais dėl akumuliatorių išmetimo.
12. Baterijas naudokite tik su „Makita“ nurodytais gaminiais. Baterijas įdėjus į netinkamus gaminius gali kilti gaisras, gaminys pernelyg kaisti, kilti sprogdymas arba pratekti elektrolitas.

SAUGOKITE ŠIAS INSTRUKCIJAS.

⚠️ PERSPĖJIMAS: Naudokite tik originalų „Makita“ akumuliatorių. Neoriginalaus „Makita“ arba pakeisto akumuliatoriaus naudojimas gali nulemti gaisrą, asmens sužalojimą ir pažeidimą. Tai taip pat panaikina „Makita“ suteikiamą „Makita“ įrankio ir įkroviklio garantiją.

Patarimai, ką daryti, kad akumuliatorius veiktų kuo ilgiau

1. Pakraukite akumuliatoriaus kasetę prieš ją visiškai išsikraunant. Visuomet nustokite naudoti įrankį ir pakraukite akumuliatoriaus kasetę, kai pastebite, kad įrankio galia sumažėjo.
2. Niekada nekraukite iki galo įkrautos akumuliatoriaus kasetės. Perkraunant trumpėja akumuliatoriaus eksploatacijos laikas.
3. Akumuliatoriaus kasetę kraukite esant kambario temperatūrai 10 - 40 °C. Prieš pradėdami krauti, leiskite įkaitusiai akumuliatoriaus kasetei atvėsti.
4. Įkraukite akumuliatoriaus kasetę, jei jos nenaudojate ilgą laiką (ilgiau nei šešis mėnesius).

VEIKIMO APRAŠYMAS

▲ PERSPĖJIMAS:

- Prieš reguliuodami įrenginį arba tikrindami jo veikimą visada patikrinkite, ar įrenginys išjungtas, o akumuliatorių kasetė - nuimta.

Akumuliatoriaus kasetės uždėjimas ir nuėmimas

- **Pav.1:** 1. Raudonas indikatorius 2. Mygtukas 3. Akumuliatoriaus kasetė

▲ PERSPĖJIMAS:

- Prieš įdėdami arba išimdami akumuliatoriaus kasetę, visada išjunkite įrankį.
- Įdėdami arba išimdami akumuliatoriaus kasetę, tvirtai laikykite įrankį ir akumuliatoriaus kasetę. Jeigu įrankio ir akumuliatoriaus kasetės nelaikysite tvirtai, jie gali išslysti iš rankų ir įrankis bei akumuliatoriaus kasetė gali būti sugadinti, o jūs galite susižeisti.

Jei norite išimti akumuliatoriaus kasetę, ištraukite ją iš įrankio, stumdami mygtuką, esantį kasetės priekyje. Jeigu norite įdėti akumuliatoriaus kasetę, sutapdinkite liežuvelį ant akumuliatoriaus kasetės su grioveliu korpusė ir įstumkite į skirtą vietą. Įdėkite iki galo, kol spragtelėdama užsifiksuos. Jeigu matote raudoną indikatorių viršutinėje mygtuko pusėje, ji nėra visiškai užfiksuota.

▲ PERSPĖJIMAS:

- Akumuliatoriaus kasetę visada įkiškite iki galo, kol nebematysite raudono indikatoriaus. Priešingu atveju ji gali atsitiktinai iškristi iš įrankio, sužeisti jus ar aplinkinius.
- Nekiškite akumuliatoriaus kasetės įėga. Jeigu kasetė sunkiai lenda, ji kišama netinkamai.

Akumuliatoriaus apsaugos sistema

Įrankyje įrengta akumuliatoriaus apsaugos sistema. Ši sistema automatiškai atjungia variklio maitinimą, kad pailgėtų akumuliatoriaus naudojimo laikas.

Įrankis automatiškai išsijungs darbo metu, esant vienai iš šių įrankio ir (arba) akumuliatoriaus darbo sąlygų:

- Perkrautas:
Įrankis naudojamas taip, kad jame neįprastai padidėja elektros srovė. Tokiu atveju atleiskite įrankio gaiduką ir nutraukite darbą, dėl kurio kilo įrankio perkrova. Po to vėl paspauskite gaiduką, kad vėl įjungtumėte įrankį. Jeigu įrankis neįsijungia, reiškia perkrautas akumuliatorius. Tokiu atveju palaukite, kol akumuliatorius atvės, paskui vėl paspauskite gaiduką.
- Žema akumuliatoriaus įtampa:
Likusi akumuliatoriaus energija per mažą ir įrankis negali veikti. Tokiu atveju išimkite akumuliatorių ir įkraukite jį.

PASTABA: Apsaugos nuo perkaitimo sistema veikia tik tada, jei naudojamas akumuliatorius su žvaigždutės ženklu.

- **Pav.2:** 1. Žvaigždutės ženklas

Likusios akumuliatoriaus galios rodymas

Tik akumuliatoriaus kasetėms su indikatoriumi

- **Pav.3:** 1. Indikatorijų lemputės 2. Tikrinimo mygtukas

Paspauskite akumuliatoriaus kasetės tikrinimo mygtuką, kad būtų rodoma likusi akumuliatoriaus energija. Maždaug trims sekundėms užsidegs indikatorių lemputės.

Indikatorijų lemputės			Likusi galia
Šviečia	Nešviečia	Blyksi	
			75 - 100 %
			50 - 75 %
			25 - 50 %
			0 - 25 %
			Įkraukite akumuliatorių.
			Galimai įvyko akumuliatoriaus veikimo triktis.

PASTABA: Rodmuo gali šiek tiek skirtis nuo faktinės energijos lygio – tai priklauso nuo naudojimo sąlygų ir aplinkos temperatūros.

Greičio reguliavimo diskas

- **Pav.4:** 1. Greičio reguliavimo diskas

Įrankio greitis reguliuojamas sukant ratuką. Sukant ratuką skaičiaus 5 link, greitis didinamas; greitis mažinamas, kai ratukas sukamas skaičiaus 1 link.

PASTABA:

- Greičio reguliavimo diską galima sukuti tik iki 5 ir atgal iki 1. Nesukite jo toliau, nes gali sutrikti greičio reguliavimo funkcija.
- Priklausomai nuo užpildo medžiagos tipo ir sąlygų, ji gali būti nepaduodama mažų greičių. Šiuo atveju nustatykite greičio reguliavimo ratuką ties didesnio greičio nuostata.

Perkrovos įspėjamoji lemputė

- **Pav.5:** 1. Įspėjamoji lemputė

Šis įspėjamoji lemputė žybcioja raudonai, kai įrankis yra perkrautas. Perkrovai pasiekus tam tikrą tašką, lemputė ima šviesti nepertraukiamai raudonai ir įrankis išsijungia. Norėdami vėl įjungti įrankį, atleiskite gaiduką ir vėl patraukite už gaiduko.

PASTABA: Nustatykite perkrovos priežastį, jeigu lemputė žybcioja arba šviečia nepertraukiamai. Greičio reguliavimo ratuku nustatykite mažesnę greičio parinktį arba naudokite didesnio skersmens antgalį.

Jungiklio veikimas

▲ PERSPĖJIMAS:

- Prieš dėdami akumulatoriaus kasetę į įrankį, visuomet patikrinkite, kad jungiklio mygtukas gerai veikytų ir atleistas grįžtų į padėtį „OFF“.
- Kai įrankio nenaudojate, paspauskite gaiduko fiksavimo mygtuką iš A pusės, kad gaidukas užsifiksuotų išjungimo padėtyje „OFF“.

► Pav.6: 1. Fiksavimo svirtelė 2. Gaidukas

Norint, kad gaidukas nebūtų atsitiktinai nuspaustas, įrengtas gaiduko fiksavimo mygtukas.

Norėdami įjungti įrankį, paspauskite gaiduko fiksavimo mygtuką iš B pusės ir patraukite už gaiduko. Stipriau spaudžiant gaiduką, įrankio veikimo greitis didėja.

Norėdami išjungti, atleiskite gaiduką. Pabaigę darbą, paspauskite gaiduko fiksavimo mygtuką iš A pusės.

Lemputės uždegimas

▲ PERSPĖJIMAS:

- Nežiūrėkite tiesiai į šviesą arba šviesos šaltinį.

► Pav.7: 1. Lempa

Paspauskite gaiduką, kad užsidegtų lemputė. Lemputė degs tol, kol bus nuspaustas gaidukas. Atleidus gaiduką, maždaug po 10 sekundžių lemputė automatiškai užges.

PASTABA:

- Nešvarumus nuo lempos lęšio valykite sausu audiniu. Stenkitės nesubraižyti lempos lęšio, kad nepablogėtų apšvietimas.
- Jeigu įrankis perkaista, pradeda žybcioti lemputė. Palaukite, kol įrankis visiškai atvės, o paskui vėl tęskite darbą.

Apsaugos nuo lašėjimo funkcija

Net ir atleidus gaiduką, variklis vis tiek dar kurį laiką veiks. Jis sumažina užpildo medžiagos slėgį ir apsaugo nuo lašėjimo.

SURINKIMAS

▲ PERSPĖJIMAS:

- Prieš darydami ką nors įrankiu visada patikrinkite, ar įrenginys išjungtas, o akumulatorių kasetė - nuimta.
- Prieš atlikdami bet kokius surinkimo darbus, visada padėkite įrankį ant žemės arba darbastalio. Netvirtai laikant įrankį, galima prarasti pusiausvyrą ir susižeisti.

Laikiklio jungties montavimas

► Pav.8

Pritvirtinkite laikiklio jungtį išilgai įrankio, įtaisykite plokštelę ir visas dalis tvirtai priveržkite varžtais.

Norėdami laikiklio jungtį nuimti, pirmiau aprašytus veiksmus atlikite atvirkščia eilės tvarka.

PASTABA:

- Galimi dviejų tipų laikikliai (papildomi priedai): trumpas laikiklis (300 ml) ir ilgas laikiklis (600 ml). Atitinkamai naudokite tinkamą laikiklio jungtį.

Strypo ir vožtuvėlio montavimas

► Pav.9

► Pav.10

Įkiškite strypą į įrankyje esančią prapjovą.

Uždėkite vožtuvėlį ir priveržkite jį varžtu.

Jeigu strypą ir vožtuvėlį norite nuimti, atlikite montavimo veiksmus atvirkščia eilės tvarka.

PASTABA:

- Strypo dantukai privalo būti nukreipti žemyn.
- Galima naudoti trijų rūšių vožtuvėlius. Vožtuvėlis A skirtas kasetėms. Vožtuvėlis B skirtas juostos tipo pakuotėms. Vožtuvėlis C skirtas tiesioginiams užpildo tiekimui.
- Pasirinkite tinkamą vožtuvėlį pagal užpildo medžiagos taros rūšį. Naudojant netinkamą vožtuvėlį, gali įvykti nuotėkis arba įrankis gali sugesti.
- Galima naudoti dviejų rūšių strypus. Trumpą strypą trumpam laikikliui (300 ml) ir ilgą strypą ilgam laikikliui (600 ml). Naudokite tinkamą strypą pagal laikiklio rūšį.
- Strypas ir vožtuvėlis visada privalo būti švarūs. Pripilęs užpildas gali sugadinti įrankį.

Laikiklio montavimas

► Pav.11

► Pav.12

Suimkite už laikiklio apačios ir laikiklio jungties, o tada sukite laikiklį pagal laikrodžio rodyklę. Tvirtai užveržkite, kol jis jau nebesuks.

Būtinai tvirtai užveržkite laikiklį. Antraip įrankis gali būti sugadintas.

Norėdami laikiklį nuimti, sukite jį prieš laikrodžio rodyklę.

PASTABA:

- Laikiklį galite atitinkamai pasukti, kad jį būtų lengviau naudoti.
- Trumpas laikiklis (300 ml) skirtas tik kasetėms. Su trumpu laikikliu (300 ml) naudokite tik vožtuvėlį A; nenaudokite jo su juostos tipo pakuotėmis arba tiesioginiams užpildo tiekimui. Taip pat naudokite tinkamą strypą pagal laikiklio rūšį.

Kasetės įdėjimas

PASTABA:

- Būtinai uždėkite ant strypo vožtuvėlį A. Kasetei nenaudokite kito tipo vožtuvėlio.

Kasetės įdėjimas į trumpą laikiklį (300 ml)

► **Pav.13:** 1. Strypo rankena

Lėtai traukite strypo rankeną atgal, kol ji sustos.

► **Pav.14**

Įdėkite kasetę į laikiklį kaip parodyta paveikslėlyje. Atsargiai stumkite strypą, kol vožtuvėlis palies kasetės apačią. Norėdami kasetę išimti, traukite strypą atgal, kol jis sustos, o tada išimkite kasetę.

Kasetės įdėjimas į ilgą laikiklį (600 ml)

► **Pav.15:** 1. Laikiklio dangtelis 2. Strypo rankena

Nuimkite laikiklio dangtelį nuo laikiklio.

Lėtai traukite strypo rankeną atgal, kol ji sustos.

► **Pav.16:** 1. Laikiklio dangtelis

Įdėkite kasetę į laikiklį.

Uždėkite laikiklio dangtelį. Jis būtinai turi būti tvirtai uždėtas.

Atsargiai stumkite strypą, kol vožtuvėlis palies kasetės apačią.

Norėdam kasetę išimti, nuimkite laikiklio dangtelį, o tada išimkite kasetę.

PASTABA:

- Prieš pradėdami montuoti, visada patikrinkite, ar kasetė nepradurta arba nepažeista. Nenaudokite apgadintos kasetės, antraip įrankis gali būti sugadintas.
- Jeigu naudojate dalinai išnaudotą kasetę, pašalinkite nuo kasetės visą pripilusią medžiagą.

Juostos tipo pakuotės įdėjimas

PASTABA:

- Būtinai uždėkite ant strypo vožtuvėlį B. Juostos tipo pakuotei nenaudokite kito tipo vožtuvėlio.
- Juostos tipo pakuotė galima dėti tik į ilgą laikiklį (600 ml).

Nuimkite laikiklio dangtelį, antgalį ir guminį žiedą nuo laikiklio.

Lėtai traukite strypo rankeną atgal, kol ji sustos.

► **Pav.17**

Nukirpkite juostos tipo pakuotės galiuką.

Įtaisykite juostos tipo pakuotę į laikiklį.

► **Pav.18:** 1. Guminis žiedas 2. Antgalis 3. Laikiklio dangtelis

Uždėkite guminį žiedą, antgalį ir laikiklio dangtelį.

Laikiklio dangtelis būtinai turi būti tvirtai uždėtas.

Atsargiai stumkite strypą, kol vožtuvėlis palies juostos tipo pakuotės apačią.

PASTABA:

- Prieš pradėdami montuoti, visada patikrinkite, ar juostos tipo pakuotė nepradurta arba nepažeista. Nenaudokite apgadintos pakuotės, antraip įrankis gali būti sugadintas.

Tiesioginis užpildo tiekimas

PASTABA:

- Būtinai uždėkite ant strypo vožtuvėlį C. Naudodami tiesiginį užpildo tiekimo būdą, nenaudokite kito tipo vožtuvėlio.
- Tiesioginis užpildo tiekimas įmanomas naudojant tik ilgą laikiklį (600 ml).

Nuimkite laikiklio dangtelį, antgalį ir guminį žiedą nuo laikiklio. Strypo rankena būtinai privamo būti pačioje priekinėje padėtyje. Įmerkite laikiklio įleidžiamąjį angą į užpildo medžiagą. Lėtai traukite strypo rankeną tol, kol į laikiklį bus pritrauktas reikiamas kiekis užpildo medžiagos. Uždėkite guminį žiedą, antgalį ir laikiklio dangtelį. Laikiklio dangtelis būtinai turi būti tvirtai uždėtas.

PASTABA:

- Kiekvieną dieną po darbo nuvalykite laikiklį tinkamu tirpikliu. Antraip prilipusi užpildo medžiaga gali sugadinti įrankį.

NAUDOJIMAS

⚠ PERSPĖJIMAS:

- Dirbdami nelieskite strypo. Antraip pirštas gali būti suspaustas tarp strypo ir įrankio korpuso.
- Dirbdami visada dėvėkite apsauginius akinius.

PASTABA:

- Neuždenkite ventilacijos angų, antraip įrankis gali perkaisti ir sugesti.
 - Jeigu negalite ištraukti strypo, pasukite greičio reguliavimo ratuką ties 1, trumpai spustelėkite gaiduką ir, varikliui sustojus, pabandykite ištraukti strypą. Jeigu strypas vis tiek užstrigęs, kartokite tą patį veiksmą, kol strypas pagaliau galės pajudėti.
- Nukirpkite konkrečiam darbui atlikti tinkamą antgalio galiuką. Atkreipkite dėmesį, kiek antgalio reikia nukirpti. Nuo antgalio skersmens priklauso, koks užpildo medžiagos kiekis bus tiekiamas. Patraukite už gaiduką, kad užpildo medžiaga būtų tiekiamą. Užpildo medžiagos tiekiamas kiekis priklauso nuo to, kaip stipriai traukiamas gaidukas, o taip pat nuo greičio reguliavimo ratuko nuostatos, antgalio angos skersmens, užpildo medžiagos rūšies ir temperatūros. Pirmą kartą naudojant, greičio reguliavimo ratuką rekomenduojame nustatyti ties „1“ ir lėtai traukti už gaiduko, kad išbandytumėte, koks užpildo medžiagos kiekis bus tiekiamas. Strypui pasiekus priekinį galą, variklis pradeda veikti tuščiaja eiga. Kai tai atsitiks, pakeiskite užpildo medžiagą.

PASTABA: Jeigu užpildo medžiaga būtų netiekiamą, patikrinkite šiuos dalykus:

- Ar tinkamai nukirpote antgalio galiuką. Nukirpkite konkrečiam darbui atlikti tinkamą antgalio galiuką.
- Ar sukietėjusi medžiaga neužkimšo antgalio. Pašalinkite sukietėjusią medžiagą.
- Ar nepažeista kasetė. Pakeiskite kasetę.
- Sukietėjo užpildo medžiaga. Šildykite medžiagą, kol ji suminkštės.
- Ar naudojate tinkamą vožtuvėlį. Naudokite tinkamą vožtuvėlį.

TECHNINĖ PRIEŽIŪRA

▲PERSPĖJIMAS:

- Prieš atlikdami apžiūrą ar priežiūrą, išskyrus šiuos su indikatoriaus būseną susijusių trikdžių šalginimo atvejus, visuomet įsitikinkite, kad įrankis yra išjungtas ir akumulatoriaus kasetė yra nuimta.
- Niekada nenaudokite gazolino, benzino, tirpiklio, spirito arba panašių medžiagų. Gali atsirasti išblukimų, deformacijų arba įtrūkimų.
- Kiekvieną dieną po darbo nuvalykite laikiklį ir strypą. Nepalikite ant jų lipnios medžiagos. Pašalinkite užpildo medžiagą, kol ji dar nesukietėjo. Palikta lipni medžiaga gali sugadinti įrankį.

Kad gaminys būtų SAUGUS ir PATIKIMAS, jį taisyti, apžiūrėti, keisti anglinius šepetėlius, atlikti techninės priežiūros darbus arba reguliuoti turi įgaliotasis kompanijos „Makita“ techninės priežiūros centras; reikia naudoti tik tai kompanijos „Makita“ pagamintas atsargines dalis.

PASIRENKAMI PRIEDAI

▲PERSPĖJIMAS:

- Su šiaime vadove aprašytu įrenginiu „Makita“ rekomenduojama naudoti tik nurodytus priedus ir papildomus įtaisus. Jeigu bus naudojami kito kokie priedai ar papildomi įtaisai, gali būti sužaloti žmonės. Priedus arba papildomus įtaisus naudokite tik pagal paskirtį.

Jeigu norite daugiau sužinoti apie tuos priedus, kreipkitės į artimiausią „Makita“ techninės priežiūros centrą.

- Vožtuvėlis A
- Vožtuvėlis B
- Vožtuvėlis C
- Trumpo laikiklio (300 ml) rinkinys
- Ilgo laikiklio (600 ml) rinkinys
- Antgalis
- Apsauginiai akiniai
- Originalus „Makita“ akumulatorius ir kroviklis

PASTABA:

- Kai kurie sąraše esantys priedai gali būti pateikti įrankio pakuotėje kaip standartiniai priedai. Jie įvairiose šalyse gali skirtis.

TEHNILISED ANDMED

Mudel		DCG140		DCG180	
Maks täitejõud		5 000 N			
Täitmiskiirus		0 - 28 mm/s			
Kolvi käik	lühikese hoidikuga (300 ml)	214 mm			
	pika hoidikuga (600 ml)	350 mm			
Kogupikkus	lühikese hoidikuga (300 ml)	404 mm			
	pika hoidikuga (600 ml)	538 mm			
Standardne akukassett		BL 1415 / BL 1415N	BL 1430 / BL 1430B / BL 1440 / BL 1450 / BL 1460B	BL 1815 / BL 1815N / BL 1820 / BL 1820B	BL 1830 / BL 1830B / BL 1840 / BL 1840B / BL 1850 / BL 1850B / BL 1860B
Netomass	lühikese hoidikuga (300 ml)	2,0 kg	2,2 kg	2,1 kg	2,3 kg
	pika hoidikuga (600 ml)	2,4 kg	2,6 kg	2,5 kg	2,7 kg
Nimipinge		Alalisvool 14,4 V		Alalisvool 18 V	

- Meie jätkuva teadus- ja arendustegevuse programmi tõttu võidakse siin antud tehnilisi andmeid muuta ilma ette teatamata.
- Spetsifikatsioonid ja aku korpus võivad riigiti erineda.
- Kaal koos aku korpusega vastavalt EPTA-protseduurile 01/2003

Ettenähtud kasutamine

Tööriist on ette nähtud vuugitäätematerjali kandmiseks tööpinna.

Müra

Tüüpiline A-korrigeeritud müratase vastavalt EN60745:

Müraarõhutase (L_{pA}): 70 dB (A) või vähem

Määramatus (K): 3 dB (A)

Müratase töötamisel võib ületada 80 dB (A).

Kandke kõrvakaitsmeid

Vibratsioon

Vibratsiooni koguväärtus (kolmeteljeliste vektorite

summa) määratud vastavalt EN60745:

Vibratsioonitase (a_{hv}): 2,5 m/s² või vähem

Määramatus (K): 1,5 m/s²

MÄRKUS: Deklareeritud vibratsiooniemissiooni väärtus on mõõdetud kooskõlas standardse testimismeetodiga ning seda võib kasutada ühe seadme võrdlemiseks teisega.

MÄRKUS: Deklareeritud vibratsiooniemissiooni väärtust võib kasutada ka mürataseme esmaseks hindamiseks.

⚠HOIATUS: Vibratsioonitase võib elektritööriista tegelikkuses kasutamise ajal erineda deklareeritud väärtusest sõltuvalt tööriista kasutamise viisidest.

⚠HOIATUS: Rakendage kindlasti operaatori kaitsmiseks piisavaid ohutusabinõusid, mis põhinevad hinnangulisel müratasemel tegelikus töösituatsioonis (võttes arvesse tööperioodi kõik osad nagu näiteks korrad, mil seade lülitatakse välja ja mil seade töötab tühikäigul, lisaks tööajale).

Ainult Euroopa riigid

EÜ vastavusdeklaratsioon

Makita deklareerib, et alljärgnev(ad) masin(ad):

Masina tähistus:

Juhtmevaba vuugitäätepüstol

Mudeli nr/tüüp: DCG140, DCG180

Vastavad alljärgnevatele Euroopa Parlamendi ja nõukogu direktiividele:

2006/42/EC

Need on toodetud vastavalt järgmistele standarditele või standardiseeritud dokumentidele:

EN60745

Tehniline fail, mis on kooskõlas direktiiviga 2006/42/EÜ, on saadaval ettevõttes:

Makita, Jan-Baptist Vinkstraat 2, 3070, Belgia

31.12.2013



Yasushi Fukaya

Direktor

Makita, Jan-Baptist Vinkstraat 2, 3070, Belgia

Üldised elektritööriistade ohutushoiatused

⚠HOIATUS Lugege läbi kõik ohutushoiatused ja juhised. Hoiatuste ja juhiste mittejärgmine võib põhjustada elektrišokki, tulekahju ja/või tõsiseid vigastusi.

Hoidke alles kõik hoiatused ja juhised edaspidisteks viideteks.

JUHTMETA VUUGITÄITEPÜSTOLI OHUTUSJUHISED

1. Hoidke käed ja riided kolvi ümbrusest eemal. Vastasel korral riietud sõrmed või riided sinna vahele kinni jääda.
2. Veenduge alati, et omaksite kindlat toetuspinda.
3. Hoidke tööriistast kindlalt kinni.
4. Töötage alati hästi õhutatud kohas ja kandke tööle vastavaid kaitsevahendeid.
5. Tutvuge ja järgige enne töö alustamist tootja-poolseid juhiseid vuugitaitematerjali või nakkuva materjali kohta.

HOIDKE JUHEND ALLES.

⚠HOIATUS: ÄRGE laske mugavusel või toote kasutamisharjumustel (mis on saadud korduva kasutuse jooksul) asendada vankumatut toote ohutuseeskirjade järgimist. VALE KASUTUS või käesoleva kasutusjuhendi ohutusnõuete eiramine võib põhjustada tõsiseid vigastusi.

Akukassetiga seotud olulised ohutusjuhised

1. Enne akukasseti kasutamist lugege (1) akulaadijal, (2) akul ja (3) seadmel olevad juhtnõuad ja hoiatused läbi.
2. Ärge võtke akukasseti lahti.
3. Kui tööaeg järsult lüheneb, siis lõpetage kohe kasutamine. Edasise kasutamise tulemuseks võib olla ülekuumenemisoht, võimalikud põletused või isegi plahvatus.
4. Kui elektrolüüti satub silma, siis loputage silma puhta veega ja pöörduge koheselt arsti poole. Selline õnnetus võib põhjustada pimedaksjäämist.
5. Ärge tekitage akukassetis lühist:
 - (1) Ärge puutuge klemme elektrijuhtidega.
 - (2) Ärge hoidke akukasseti tööriistakastis koos metalliesemetega, nagu naelad, mündid jne.
 - (3) Ärge tehke akukasseti märjaks ega jätke seda vihma kätte.Aku lühis võib põhjustada tugevat elektrivoolu, ülekuumenemist, põletusi ning ka seadet tõsiselt kahjustada.
6. Ärge hoidke tööriista ja akukasseti kohtades, kus temperatuur võib tõusta üle 50 °C.

7. Ärge põletage akukasseti isegi siis, kui see on saanud tõsiselt vigastada või on täiesti kulu- nud. Akukassetit võib tules plahvatada.
8. Olge ettevaatlik, ärge laske akul maha kukkuda ja vältige lööke.
9. Ärge kasutage kahjustatud akut.
10. Sisalduvatele liitium-ioonakudele võivad kohalduda ohtlike kaupade õigusaktide nõuded. Kaubanduslikul transportimisel, näiteks kolman- date poolte või transpordiettevõtete poolt, tuleb järgida pakendil ja siltidel toodud erinõudeid. Transportimiseks ettevalmistamisel on vajalik pidada nõu ohtliku materjali ekspertidega. Samuti tuleb järgida võimalike riiklike regulatsioonide üksikasjalikumaid nõudeid. Katke teibiga või varjake avatud kontaktid ja pakendage aku selliselt, et see ei saaks pakendis liikuda.
11. Järgige kasutuskõlbatuks muutunud aku käitlemisel kohalikke eeskirju.
12. Kasutage akusid ainult Makita heaks kiidetud toodetega. Akude paigaldamine selleks mitte ettenähtud toodetele võib põhjustada süttimist, ülemäärast kuumust, plahvatamist või elektrolüüdi lekkimist.

HOIDKE JUHEND ALLES.

⚠ETTEVAATUST: Kasutage ainult Makita originaalakusid. Mitte Makita originaalakude või muudetud akude kasutamine võib põhjustada akude süttimise, kehavigastuse ja kahjustuse. Samuti muu- dab see kehtetuks Makita tööriista ja laadija Makita garantii.

Vihjeid aku maksimaalse kasu- tusaja tagamise kohta

1. Laadige akukasseti enne selle täielikku tühjenemist. Kui märkate, et tööriist töötab väiksema võimsusega, peatage töö ja laadige akukasseti.
2. Ärge laadige täielikult laetud akukasseti. Ülelaadimine lühendab akude kasutusiga.
3. Laadige akukasseti toatemperatuuril 10 °C - 40 °C. Enne laadimist laske kuumenenud aku- kassetil maha jahtuda.
4. Kui te ei kasuta akukasseti kauem kui kuus kuud, laadige see.

FUNKTSIONAALNE KIRJELDUS

⚠ETTEVAATUST:

- Kandke alati hoolt selle eest, et tööriist oleks enne reguleerimist ja kontrollimist välja lülitatud ja akukassett eemaldatud.

Akukasseti paigaldamine või eemaldamine

► **Joon.1:** 1. Punane näidik 2. Nupp 3. Akukassett

⚠ETTEVAATUST:

- Lülitage tööriist alati enne akukasseti paigaldamist või eemaldamist välja.
- Akukasseti paigaldamisel või eemaldamisel tuleb tööriista ja akukassetti kindlalt paigal hoida. Kui tööriista ja akukassetti ei hoita kindlalt paigal, võivad need käest libiseda ning kahjustada tööriista ja akukassetti või põhjustada kehavigastusi.

Akukasseti eemaldamiseks libistage see tööriista küljest lahti, vajutades kasseti esiküljel paiknevat nuppu alla. Akukasseti paigaldamiseks joondage akukasseti keel korpuse soonega ja libistage kassett oma kohale. Paigaldage kassett alati nii kaugele, et see lukustuks klõpsatusega oma kohale. Kui näete nupu ülasaos punast osa, pole kassett täielikult lukustunud.

⚠ETTEVAATUST:

- Paigaldage akukassett alati täies ulatuses nii, et punast osa ei jääks näha. Vastasel korral võib kassett tööriistast välja kukkuda ning vigastada Teid või läheduses viibivaid isikuid.
- Ärge rakendage jõudu akukasseti paigaldamisel. Kui kassett ei lähe kergesti sisse, pole see õigesti paigaldatud.

Aku kaitsesüsteem

Tööriist on varustatud aku kaitsesüsteemiga. Süsteem lülitab mootori automaatselt välja, et pikendada aku eluiga. Tööriist seiskub käitamise ajal automaatselt, kui tööriista ja/või aku kohta kehtivad järgmised tingimused.

- Ülekoormus.
Tööriista kasutatakse viisil, mis põhjustab toitevoolu tugevuse tõusu lubatust kõrgemale. Sellisel juhul vabastage tööriista päästiklülitit ja lõpetage töö, mis põhjustas tööriista ülekoormuse. Seejärel tõmmake taaskäivitamiseks uuesti päästiklülitit. Kui tööriist ei käivitu, on aku üle kuumenenud. Sellisel juhul laske akul maha jahtuda, enne kui päästiklülitit uuesti tõmbate.
- Madal akupinge.
Aku jääkmahtuvus on liiga väike ja tööriist ei hakka tööle. Sellisel juhul eemaldage aku ja laadige seda.

MÄRKUS: Ülekuumenemise vastane kaitse töötab ainult koos tähekesega märgiga akukassetiga.

► **Joon.2:** 1. Tähe märgis

Aku jääkmahtuvuse näit

Ainult näidikuga akukassettidele

► **Joon.3:** 1. Märgulambid 2. Kontrollimise nupp

Akukasseti järelejäanud mahtuvuse kontrollimiseks vajutage kontrollimise nuppu. Märgulambid süttivad mõneks sekundiks.

Märgulambid			Jääkmahtuvus
Pöleb	Ei põle	Vilgub	
■	□	◐	75 - 100%
■	■	□	50 - 75%
■	□	□	25 - 50%
■	□	□	0 - 25%
◐	□	□	Laadige akut.
■	■	□	Akul võib olla tõrge.
□	□	■	

MÄRKUS: Näidatud mahtuvus võib veidi erineda tegelikust mahtuvusest olenevalt kasutustingimustest ja ümbritseva keskkonna temperatuurist.

Kiiruseregulaator

► **Joon.4:** 1. Kiiruseregulaator

Tööriista kiirust saab reguleerida, kui keerata ketast. Kiiruse suurendamiseks keeratakse ketast numbrini 5 suunas; kiiruse vähendamiseks numbrini 1 suunas.

MÄRKUS:

- Kiiruseregulaatorit saab keerata ainult numbrini 5 ja tagasi numbrini 1. Ärge kiiruseregulaatorit jõuga üle 5 või 1 keerata püüdke, sest vastasel korral ei pruugi kiiruse reguleerimise funktsioon enam töötada.
- Olenevalt vuugitaitematerjali tüübist ja seisukorrast ei pruugi väljutamine aeglase kiirusega töötamisel toimida. Sellisel juhul seadke kiiruse reguleerimisrõngas suurema numbrini peale.

Ülekoormuse märgutuli

► **Joon.5:** 1. Hoiatustuli

Kui tööriist on üle koormatud, hakkab punane märgutuli vilkuma. Teatud punktini jõudes põleb punane tuli edasi ning tööriist seiskub. Tööriista uuesti käivitamiseks laske päästik lahti ja seejärel tõmmake seda uuesti.

MÄRKUS: Kui tuli vilgub või süttib põlema, siis kontrollige, mis on ülekoormuse põhjuseks. Muutke kiirust, keerates ketast madalamale astmele, või suurendage otsaku läbimõõtu.

Lüliti funktsioneerimine

⚠ETTEVAATUST:

- Kontrollige alati enne akukasseti tööriista külge paigaldamist, kas lüliti päästik funktsioneerib nõuetekohaselt ja liigub lahtilaskmisel tagasi väljalülitatud asendisse.
- Kui te tööriista parajasti ei kasuta, vajutage päästikukulu nuppu A-poolelt, et lukustada lüliti päästik väljalülitatud asendisse.

► Joon.6: 1. Lukustushoob 2. Lüliti päästik

Selleks, et lüliti päästikut poleks võimalik juhuslikult tõmmata, on tööriistal päästikukulu nupp. Tööriista käivitamiseks vajutage päästikukulu nupp B-poolelt alla ning tõmmake lüliti päästikut. Tööriista kiirus kasvab, kui suurendate survet lüliti päästikule. Seiskamiseks vabastage lüliti päästik. Pärast kasutamist vajutage päästikukulu nuppu alati A-küljelt.

Lambi süütamine

⚠ETTEVAATUST:

- Ärge vaadake otse valgusesse ega valgusallikat.

► Joon.7: 1. Lamp

Lambi süütamiseks tõmmake lüliti päästikut. Lamp põleb seni, kuni tõmmatakse lüliti päästikut. Pärast lüliti päästiku vabastamist kustub tuli automaatselt 10 sekundi pärast.

MÄRKUS:

- Kasutage lambiklaasilt mustuse ära pühkimiseks kuiva riidelappi. Olge seda tehese ettevaatlik, et lambiklaasi mitte kriimustada, sest vastasel korral võib valgustus väheneda.
- Kui tööriist üle kuumeneb, siis hakkab tuli vilkuma. Laske tööriistal enne uuesti kasutamist täielikult maha jahtuda.

Tilkumist ennetav funktsioon

Mootor käib lühiajaliselt veel edasi isegi pärast seda, kui päästik on lahti lastud. Niimoodi vähendatakse survet vuugitähematerjalile ning ennetatakse tilkumist.

KOKKUPANEK

⚠ETTEVAATUST:

- Kandke alati hoolt selle eest, et tööriist oleks enne igasuguseid hooldustöid välja lülitatud ja akukassett eemaldatud.
- Tööriist tuleb alati mis tahes montaažitööde tegemise ajaks asetada maha või tööpingile. Tööriist, mida ei hoita tugevasti kinni, võib tasekaalust välja minna ning põhjustada vigastusi.

Hoidikuelemendi paigaldamine

► Joon.8

Kinnitage hoidikuelement kindlalt vastu tööriista, pange plaat oma kohale ning fikseerige need tugevasti kruvidega. Hoidikuelemendi eemaldamiseks toimige ülalkirjeldatud protseduurile vastupidises järjekorras.

MÄRKUS:

- Saadaval on kahte tüüpi hoidikuid (lisavarustusena) - lühike hoidik (300 ml) ja pikk hoidik (600 ml). Kasutage vajadusele vastavat sobivat hoidikut.

Kolvi ja kolvirõnga paigaldamine

► Joon.9

► Joon.10

Sisestage kolb tööriista pilusse. Paigaldage kolvirõngas ja kinnitage see kruviga. Kolvi ja kolvirõnga eemaldamiseks järgige paigaldamise protseduuri vastupidises järjekorras.

NBI!

- Kolvi sakid peavad olema suunaga allapoole.
- Kolvirõngaid on kolme tüüpi. Kolvirõngas A kartonghülsside jaoks. Kolvirõngas B polümeerpakendite jaoks. Kolvirõngas C otsetäitmise jaoks.
- Valige sobiv kolvirõngas vastavalt vuugitähematerjali pakendi tüübile. Vale kolvirõnga kasutamine võib põhjustada leket või kahjustada tööriista.
- Kolbe on kahte tüüpi. Lühike kolb lühikese hoidiku (300 ml) jaoks ja pikk kolb pika hoidiku (600 ml) jaoks. Kasutage hoidikuga sobivat kolbi.
- Kolb ja kolvirõngas tuleb hoida alati puhtana. Kõlgekleepunud vuugitähede võib kahjustada tööriista.

Hoidiku paigaldamine

► Joon.11

► Joon.12

Hoidke hoidiku ja hoidiku elemendi põhjast kinni ja pöörake siis hoidikut päripäeva. Keerake tugevasti kinni kuni seisumiseni. Veenduge, et hoidik oleks tugevasti kinni keeratud. Vastasel juhul võite tööriista kahjustada. Hoidiku eemaldamiseks keerake seda vastupäeva.

MÄRKUS:

- Hoidikut võib toimingu hõlbustamiseks keerata vastavalt olukorrale.
- Lühike hoidik (300 ml) on mõeldud ainult kartonghülsside jaoks. Kasutage lühikese hoidikuga (300 ml) ainult kolvirõngast A ning ärge kasutage seda polümeerpakendite ega otsetäitmise puhul. Samuti kasutage hoidikuga sobivat vastavat kolbi.

Kartonghülsi paigaldamine

NBI:

- Veenduge, et kolvile on paigaldatud kolvirõngas A. Ärge kasutage kartonghülsside puhul teist tüüpi kolvirõngast.

Kartonghülsi paigaldamine lühikesse hoidikusse (300 ml).

► **Joon.13:** 1. Kolvi käepide

Tõmmake kolvi käepidet aeglaselt tahapoole, kuni see seiskub.

► **Joon.14**

Sisestage kartonghülss hoidikusse, nagu joonisel näidatud. Vajutage kolbi õrnalt, kuni kolvirõngas puutub vastu kartonghülsi põhja.

Kartonghülsi eemaldamiseks tuleb tõmmata kolbi taha- poole, kuni see seiskub, ja siis kartonghülss välja võtta.

Kartonghülsi paigaldamine pikka hoidikusse (600 ml).

► **Joon.15:** 1. Hoidiku kork 2. Kolvi käepide

Eemaldage hoidikult kork.

Tõmmake kolvi käepidet aeglaselt tahapoole, kuni see seiskub.

► **Joon.16:** 1. Hoidiku kork

Pange kartonghülss hoidiku sisse.

Paigaldage hoidiku kork. Veenduge, et see oleks tuge- vasti kinni keeratud.

Vajutage kolbi õrnalt, kuni kolvirõngas puutub vastu kartonghülsi põhja.

Kartonghülsi eemaldamiseks tuleb eemaldada hoidiku kork ja seejärel kartonghülss välja võtta.

NBI:

- Kontrollige kartonghülssi enne paigaldamist alati sissetorgete või kahjustuste osas. Ärge kasutage kahjustatud kartonghülssi, sest vastasel korral võite kahjustada tööriista.
- Osaliselt kasutatud kartonghülsi kasutamisel tuleb eemaldada kartonghülssile kleepunud materjal.

Polümeerpakendi paigaldamine

NBI:

- Veenduge, et kolvile on paigaldatud kolvirõngas B. Ärge kasutage polümeerpakendite puhul teist tüüpi kolvirõngast.
- Polümeerpakendeid saab paigaldada ainult pike- masse hoidikusse (600 ml).

Eemaldage hoidiku kork, otsak ja hoidiku kummirõngas. Tõmmake kolvi käepidet aeglaselt tahapoole, kuni see seiskub.

► **Joon.17**

Lõigake polümeerpakendi ots ära.

Sisestage polümeerpakend hoidikusse.

► **Joon.18:** 1. Kummirõngas 2. Otsak 3. Hoidiku kork

Paigaldage kummirõngas, otsak ja hoidiku kork.

Veenduge, et hoidiku kork oleks tugevasti kinni keeratud.

Vajutage kolbi õrnalt, kuni kolvirõngas puutub vastu polümeerpakendi põhja.

MÄRKUS:

- Kontrollige polümeerpakendit enne paigaldamist alati sissetorgete või kahjustuste osas. Ärge kasutage kahjustatud pakendit, sest vastasel korral võite kahjustada tööriista.

Otsetäitmine

NBI:

- Veenduge, et kolvile on paigaldatud kolvirõngas C. Ärge kasutage otsetäitmise puhul teist tüüpi kolvirõngast.
- Otsetäitmiseks saab kasutada ainult pikka hoidikut (600 ml).

Eemaldage hoidiku kork, otsak ja hoidiku kummirõngas.

Veenduge, et kolvi käepide asuks kõige eesmises positsioonis.

Kastke hoidiku ots vuugitaitematerjali sisse.

Tõmmake kolvi käepidet aeglaselt, kuni hoidikus on

piisavas koguses vuugitaitematerjali.

Paigaldage kummirõngas, otsak ja hoidiku kork.

Veenduge, et hoidiku kork oleks tugevasti kinni keeratud.

NBI:

- Puhastage hoidikut pärast igapäevast tööd sobiva puhastuslahusega. Vastasel juhul võib kleepunud materjal tööriista kahjustada.

TÖÖRIISTA KASUTAMINE

⚠ETTEVAATUST:

- Ärge puutuge kolbi seadme töötamise ajal. Vastasel juhul võib teie sõrm jääda kolvi ja tööriista korpuse vahele kinni.
- Kandke seadmega töötamise ajal alati kaitseprille.

NBI:

- Ärge katke kinni ventilatsioonivahendid, sest see võib põhjustada ülekuumenemise ja tööriista kahjustumise.
- Kui te ei saa kolbi välja tõmmata, keerake kiiruse reguleerimise ketas 1 peale ja tõmmake korras lüliti päästikut ning seejärel proovige kolbi pärast mootori seiskumist tõmmata. Kui kolb on ikkagi kinni kiilunud, toimige eelkirjeldatud viisil uuesti, kuni kolb hakkab liikuma.

Lõigake otsaku tipp ära vastavalt iga toimingu eripärale. Olge selles osas ettevaatlik, kui palju te otsaku tipust maha lõikate. Otsaku läbimõõt mõjutab väljutatava vuugitaitematerjali hulka.

Tõmmake vuugitaitematerjali väljutamiseks päästikut.

Väljutatava vuugitaitematerjali hulka mõjutavad päästik, kiiruse reguleerimise ketas, otsaku avause läbimõõt, vuugitaitematerjali tüüp ja temperatuur.

Esmakordsel kasutamisel soovitage seada kiiruse reguleerimise ketta „1“ peale ja tõmmata päästikut aeglaselt, et saaksite proovida, kui palju vuugitaitematerjali väljutatakse. Kui kolb jõuab esiotsani välja, hakkab mootor tööle tühi- käigul. Sellisel juhul tuleb vuugitaitematerjali vahetada.

MÄRKUS: Kui vuugitaitematerjali ei väljutata, kontrol- lige järgmisi punkte:

- Otsaku tippu pole piisavalt maha lõigatud. Lõigake otsaku tippu vastavalt asjaomasele toimingule;
- Tahkunud materjal on otsaku ummistanud. Eemaldage tahkunud materjal;
- Kartonghülss on kahjustatud. Vahetage kartong- hülss välja;
- Vuugitaitematerjal on kõva. Soojendage mater- jali, kuni see muutub pehmeks.
- Kasutatatakse vale kolvirõngast. Kasutage sobi- vat kolvirõngast.

HOOLDUS

⚠ETTEVAATUST:

- Enne tööriista kontrollimist ja hooldustööde teostamist (v.a lambi tõrkeotsingud) veenduge alati, et tööriist on välja lülitatud ja akukassett eemaldatud.
- Ärge kunagi kasutage bensiini, vedeldit, alkoholi ega midagi muud sarnast. Selle tulemuseks võib olla luitumine, deformatsioon või pragunemine.
- Puhastage hoidikut ja kolbi pärast igapäevast tööd. Hoidke need kleepuvast materjalist puhtana. Eemaldage vuugitäitematerjal enne tahkumist. Külgekleepunud materjal võib tööriista kahjustada.

Toote OHUTUSE ja TÖÖKINDLUSE säilimiseks tuleb vajalikud remonttööd, süsiharja kontrollimine ja väljavahetamine ning muud hooldus- ja reguleerimistööd lasta teha Makita volitatud teeninduskeskustes. Alati tuleb kasutada Makita varuosi.

VALIKULISED TARVIKUD

⚠ETTEVAATUST:

- Neid tarvikuid ja lisaseadiseid on soovitatav kasutada koos Makita tööriistaga, mille kasutamist selles kasutusjuhendis kirjeldatakse. Muude tarvikute ja lisaseadiste kasutamisega kaasneb vigastada saamise oht. Kasutage tarvikuid ja lisaseadiseid ainult otstarvetel, milleks need on ette nähtud.

Saate vajadusel kohalikust Makita teeninduskeskusest lisateavet nende tarvikute kohta.

- Kolvirõngas A
- Kolvirõngas B
- Kolvirõngas C
- Lühikese hoidiku (300 ml) komplekt
- Pika hoidiku (600 ml) komplekt
- Otsak
- Kaitseprillid
- Makita algupärane aku ja laadija

MÄRKUS:

- Mõned nimekirjas loetletud tarvikud võivad kuuluda standardvarustusse ning need on lisatud tööriista pakendisse. Need võivad riikide lõikes erineda.

ТЕХНИЧЕСКИЕ ХАРАКТЕРИСТИКИ

Модель		DCG140		DCG180	
Макс. усилие подачи		5 000 Н			
Скорость подачи		0 - 28 мм/сек			
Ход поршня	с коротким держателем (300 мм)	214 мм			
	с длинным держателем (600 мм)	350 мм			
Общая длина	с коротким держателем (300 мм)	404 мм			
	с длинным держателем (600 мм)	538 мм			
Стандартный аккумуляторный блок		BL 1415 / BL 1415N	BL 1430 / BL 1430B / BL 1440 / BL 1450 / BL 1460B	BL 1815 / BL 1815N / BL 1820 / BL 1820B	BL 1830 / BL 1830B / BL 1840 / BL 1840B / BL 1850 / BL 1850B / BL 1860B
Вес нетто	с коротким держателем (300 мм)	2,0 кг	2,2 кг	2,1 кг	2,3 кг
	с длинным держателем (600 мм)	2,4 кг	2,6 кг	2,5 кг	2,7 кг
Номинальное напряжение		14,4 В пост. Тока		18 В пост. Тока	

- Благодаря нашей постоянно действующей программе исследований и разработок, указанные здесь технические характеристики могут быть изменены без предварительного уведомления.
- Технические характеристики и аккумуляторный блок могут отличаться в зависимости от страны.
- Масса (с аккумуляторным блоком) в соответствии с процедурой EPTA 01.2003

Назначение

Данный инструмент предназначен для нанесения материала герметика на поверхности.

Шум

Типичный уровень взвешенного звукового давления (А), измеренный в соответствии с EN60745:

Уровень звукового давления (L_{pA}): 70 дБ (А) или менее

Погрешность (К): 3 дБ (А)

Уровень шума при выполнении работ может превышать 80 дБ (А).

Используйте средства защиты слуха

Вибрация

Суммарное значение вибрации (сумма векторов по трем осям) определяется по следующим параметрам EN60745:

Распространение вибрации (a_h): 2,5 м/с² или менее

Погрешность (К): 1,5 м/с²

ПРИМЕЧАНИЕ: Заявленное значение распространения вибрации измерено в соответствии со стандартной методикой испытаний и может быть использовано для сравнения инструментов.

ПРИМЕЧАНИЕ: Заявленное значение распространения вибрации можно также использовать для предварительных оценок воздействия.

⚠ОСТОРОЖНО: Распространение вибрации во время фактического использования электроинструмента может отличаться от заявленного значения в зависимости от способа применения инструмента.

⚠ОСТОРОЖНО: Обязательно определите меры безопасности для защиты оператора, основанные на оценке воздействия в реальных условиях использования (с учетом всех этапов рабочего цикла, таких как выключение инструмента, работа без нагрузки и включение).

Только для европейских стран

Декларация о соответствии ЕС

Makita заявляет, что следующее устройство (устройства):

Обозначение устройства:

Аккумуляторный Пистолет Для Герметика

Модель / тип: DCG140, DCG180

Соответствует (-ют) следующим директивам ЕС:
2006/42/ЕС

Изготовлены в соответствии со следующим стандартом или нормативными документами:

EN60745

Технический файл в соответствии с документом 2006/42/ЕС доступен по адресу:

Makita, Jan-Baptist Vinkstraat 2, 3070, Belgium



Ясуси Фукайа (Yasushi Fukaya)
Директор
Makita, Jan-Baptist Vinkstraat 2, 3070, Belgium

Общие рекомендации по технике безопасности для электроинструментов

⚠ ПРЕДУПРЕЖДЕНИЕ Ознакомьтесь со всеми инструкциями и рекомендациями по технике безопасности. Невыполнение инструкций и рекомендаций может привести к поражению электротоком, пожару и/или тяжелым травмам.

Сохраните брошюру с инструкциями и рекомендациями для дальнейшего использования.

ПРАВИЛА ТЕХНИКИ БЕЗОПАСНОСТИ ПРИ ОБРАЩЕНИИ С АККУМУЛЯТОРНЫМ ПИСТОЛЕТОМ ДЛЯ ГЕРМЕТИКА

1. Руки и одежда должны находиться на расстоянии от области штока и поршня. Несоблюдение данного требования может привести к защемлению пальцев или одежды.
2. При выполнении работ всегда занимайте устойчивое положение.
3. Крепко держите инструмент.
4. Выполняйте работы в хорошо проветриваемом помещении с использованием надлежащих средств защиты, соответствующих типу работ.
5. Перед использованием ознакомьтесь с инструкциями производителя герметика или клейкого материала и в точности выполняйте их.

СОХРАНИТЕ ДАННЫЕ ИНСТРУКЦИИ.

⚠ ОСТОРОЖНО: НЕ ДОПУСКАЙТЕ, чтобы удобство или опыт эксплуатации данного устройства (полученный от многократного использования) доминировали над строгим соблюдением правил техники безопасности при обращении с этим устройством. **НЕПРАВИЛЬНОЕ ИСПОЛЬЗОВАНИЕ** инструмента или несоблюдение правил техники безопасности, указанных в данном руководстве, может привести к тяжелой травме.

Важные правила техники безопасности для работы с аккумуляторным блоком

1. Перед использованием аккумуляторного блока прочитайте все инструкции и предупреждающие надписи на (1) зарядном устройстве, (2) аккумуляторном блоке и (3) инструменте, работающем от аккумуляторного блока.
2. Не разбирайте аккумуляторный блок.
3. Если время работы аккумуляторного блока значительно сократилось, немедленно прекратите работу. В противном случае, может возникнуть перегрев блока, что приведет к ожогам и даже к взрыву.
4. В случае попадания электролита в глаза промойте их обильным количеством чистой воды и немедленно обратитесь к врачу. Это может привести к потере зрения.
5. Не замыкайте контакты аккумуляторного блока между собой:
 - (1) Не прикасайтесь к контактам какими-либо токопроводящими предметами.
 - (2) Не храните аккумуляторный блок в контейнере вместе с другими металлическими предметами, такими как гвозди, монеты и т. п.
 - (3) Не допускайте попадания на аккумуляторный блок воды или дождя.
 Замыкание контактов аккумуляторного блока между собой может привести к возникновению большого тока, перегреву, возможному ожогу и даже поломке блока.
6. Не храните инструмент и аккумуляторный блок в местах, где температура может достигать или превышать 50 °C (122 °F).
7. Не бросайте аккумуляторный блок в огонь, даже если он сильно поврежден или полностью вышел из строя. Аккумуляторный блок может взорваться под действием огня.
8. Не роняйте и не ударяйте аккумуляторный блок.
9. Не используйте поврежденный аккумуляторный блок.
10. Входящие в комплект литий-ионные аккумуляторы должны эксплуатироваться в соответствии с требованиями законодательства об опасных товарах.

При коммерческой транспортировке, например, третьей стороной или экспедитором, необходимо нанести на упаковку специальные предупреждения и маркировку.

В процессе подготовки устройства к отправке обязательно проконсультируйтесь со специалистом по опасным материалам. Также соблюдайте местные требования и нормы. Они могут быть строже.

Закройте или закрепите разомкнутые контакты и упакуйте аккумулятор так, чтобы он не перемещался по упаковке.

11. Выполняйте требования местного законодательства относительно утилизации аккумуляторного блока.
12. Используйте аккумуляторы только с продукцией, указанной Makita. Установка аккумуляторов на продукцию, не соответствующую требованиям, может привести к пожару, перегреву, взрыву или утечке электролита.

СОХРАНИТЕ ДАННЫЕ ИНСТРУКЦИИ.

⚠ВНИМАНИЕ: Используйте только фирменные аккумуляторные батареи Makita. Использование аккумуляторных батарей, не произведенных Makita, или батарей, которые были подвергнуты модификациям, может привести к взрыву аккумулятора, пожару, травмам и повреждению имущества. Это также автоматически аннулирует гарантию Makita на инструмент и зарядное устройство Makita.

Советы по обеспечению максимального срока службы аккумулятора

1. Заряжайте блок аккумуляторов перед его полной разрядкой. Обязательно прекратите работу с инструментом и зарядите блок аккумуляторов, если вы заметили снижение мощности инструмента.
2. Никогда не подзаряжайте полностью заряженный блок аккумуляторов. Перезарядка сокращает срок службы аккумулятора.
3. Заряжайте блок аккумуляторов при комнатной температуре в 10 - 40 °C (50 - 104 °F). Перед зарядкой горячего блока аккумулятора дайте ему остыть.
4. Зарядите ионно-литиевый аккумуляторный блок, если вы не будете пользоваться инструментом длительное время (более шести месяцев).

ОПИСАНИЕ ФУНКЦИОНИРОВАНИЯ

⚠ВНИМАНИЕ:

- Перед регулировкой или проверкой функционирования всегда отключайте инструмент и вынимайте блок аккумуляторов.

Установка или снятие блока аккумуляторов

- **Рис.1:** 1. Красный индикатор 2. Кнопка 3. Блок аккумулятора

⚠ВНИМАНИЕ:

- Обязательно выключайте инструмент перед установкой и извлечением аккумуляторного блока.
- При установке и извлечении аккумуляторного блока крепко удерживайте инструмент и аккумуляторный блок. Если не соблюдать это требование, они могут выскользнуть из рук, что приведет к повреждению инструмента, аккумуляторного блока и травмированию оператора.

Для снятия аккумуляторного блока нажмите кнопку на лицевой стороне и извлеките блок.

Для установки аккумуляторного блока совместите выступ блока с пазом в корпусе и задвиньте его на место. Устанавливайте блок до упора так, чтобы он зафиксировался на месте с небольшим щелчком. Если вы можете видеть красный индикатор на верхней части клавиши, аккумуляторный блок не полностью установлен на месте.

⚠ВНИМАНИЕ:

- Обязательно устанавливайте аккумуляторный блок до конца, чтобы красный индикатор не был виден. В противном случае аккумуляторный блок может выпасть из инструмента и нанести травму вам или другим людям.
- Не прилагайте чрезмерных усилий при установке аккумуляторного блока. Если блок не двигается свободно, значит он вставлен неправильно.

Система защиты аккумулятора

На инструменте предусмотрена система защиты аккумулятора. Она автоматически отключает питание двигателя для продления срока службы аккумулятора.

Инструмент автоматически остановится во время работы при возникновении указанных ниже ситуаций:

• Перегрузка:

Из-за способа эксплуатации инструмент потребляет очень большое количество тока.

В этом случае отпустите курковый переключатель на инструменте и прекратите использование, повлекшее перегрузку инструмента. Затем снова нажмите на курковый выключатель для перезапуска. Если инструмент не включается, значит, перегрелся аккумуляторный блок. В этом случае дайте ему остыть перед повторным нажатием на курковый выключатель.

- Низкое напряжение аккумуляторной батареи: Уровень оставшегося заряда аккумулятора слишком низкий и инструмент не работает. В этом случае снимите и зарядите аккумуляторный блок.

ПРИМЕЧАНИЕ: Защита от перегрева работает только на аккумуляторных блоках со звездочкой.

► Рис.2: 1. Звездочка

Индикация оставшегося заряда аккумулятора

Только для блоков аккумулятора с индикатором

► Рис.3: 1. Индикаторы 2. Кнопка проверки

Нажмите кнопку проверки на аккумуляторном блоке для проверки заряда. Индикаторы загорятся на несколько секунд.

Индикаторы			Уровень заряда
Горит	Выкл.	Мигает	
■	□	▧	от 75 до 100%
■ ■ ■ ■	□		от 50 до 75%
■ ■	□ □		от 25 до 50%
■	□ □ □		от 0 до 25%
▧	□ □ □ □		Зарядите аккумуляторную батарею.
■ ■ □ □	□ □		Возможно, аккумуляторная батарея неисправна.
□ □ ■ ■			

ПРИМЕЧАНИЕ: В зависимости от условий эксплуатации и температуры окружающего воздуха индикация может незначительно отличаться от фактического значения.

Диск регулировки скорости

► Рис.4: 1. Поворотный регулятор скорости

Обороты инструмента можно регулировать вращением регулятора. Для повышения скорости работы поворачивайте регулятор со шкалой в направлении цифры 5; для понижения скорости работы – в направлении цифры 1.

ПРИМЕЧАНИЕ:

- Диск регулировки скорости можно поворачивать только до цифры 5 и обратно до 1. Не пытайтесь повернуть его дальше 5 или 1, так как функция регулировки скорости может выйти из строя.
- В зависимости от типа и состояния герметика, возможно, его нельзя подавать при работе на малой скорости. В этом случае установите с помощью поворотного регулятора скорости более высокое значение.

Сигнализатор перегрузки

► Рис.5: 1. Предупредительная лампа

Сигнализатор мигает красным при перегрузке инструмента. Когда уровень нагрузки достигает определенного уровня, сигнализатор загорается красным и инструмент выключается. Для перезапуска инструмента отпустите курковый выключатель и потяните его снова.

ПРИМЕЧАНИЕ: Выясните причину перегрузки при активации или мигании сигнализатора. Уменьшите параметры оборотов с помощью поворотного регулятора или увеличьте диаметр сопла.

Действие выключателя

ВНИМАНИЕ:

- Перед вставкой блока аккумуляторов в инструмент, всегда проверяйте, что триггерный переключатель работает надлежащим образом и возвращается в положение "ВЫКЛ", если его отпустить.
- Если инструмент не используется, нажмите на кнопку блокировки куркового выключателя со стороны А для блокирования его в положении "ВЫКЛ".

► Рис.6: 1. Рычаг блокировки 2. Курковый выключатель

Для предотвращения случайного нажатия курковый выключатель оборудован блокирующей кнопкой. Для включения инструмента нажмите на блокирующую кнопку со стороны В и нажмите на курковый выключатель. Для увеличения числа оборотов нажмите курковый выключатель сильнее. Для выключения инструмента отпустите курковый выключатель.

После использования нажимайте на кнопку блокировки куркового выключателя со стороны А.

Включение лампы

⚠ ВНИМАНИЕ:

- Не смотрите непосредственно на свет или источник света.

► Рис.7: 1. Лампа

Нажмите на курковый выключатель для включения лампы. Лампа будет светиться до тех пор, пока нажат выключатель. Лампа гаснет примерно через 10 секунд после отпущения куркового выключателя.

ПРИМЕЧАНИЕ:

- Используйте сухую ткань для очистки грязи с линзы лампы. Следите за тем, чтобы не поцарапать линзу лампы, так как это может уменьшить освещение.
- При перегрузке инструмента лампа начинает мигать. Перед продолжением работы убедитесь, что инструмент полностью остыл.

Функция предотвращения подтеков

Двигатель продолжает работать еще в течение некоторого времени после отпущения куркового выключателя. Таким образом сбрасывается давление на герметик и предотвращается образование подтеков.

МОНТАЖ

⚠ ВНИМАНИЕ:

- Перед проведением каких-либо работ с инструментом всегда проверяйте, что инструмент отключен, а блок аккумуляторов снят.
- Во время осуществления работ по сборке инструмента обязательно кладите его на землю или верстак. Если инструмент не зафиксирован надлежащим образом, он может потерять равновесие и причинить травму.

Установка соединения держателя

► Рис.8

Надежно закрепите соединение держателя на инструменте, установите пластину и зафиксируйте их винтами.

Для снятия соединения держателя выполните описанную выше процедуру в обратной последовательности.

ПРИМЕЧАНИЕ:

- Предусмотрено два типа держателей (опция): короткий держатель (300 мл) и длинный держатель (600 мл). Используйте необходимое соединение держателя.

Установка штока и поршня

► Рис.9

► Рис.10

Вставьте шток в прорезь инструмента. Подсоедините поршень и зафиксируйте его винтом. Для снятия штока и поршня выполните процедуру установки в обратной последовательности.

УВЕДОМЛЕНИЕ:

- Зубья на штоке должны быть направлены вниз.
- Существует три типа поршней. Поршень А для картриджей. Поршень В для блоков пленочного типа. Поршень С для прямого заполнения.
- Выберите необходимый поршень в соответствии с типом емкости с материалом герметика. Неправильно подобранный поршень может привести к протечке или поломке инструмента.
- Существует два типа штоков. Короткий поршень предназначен для короткого держателя (300 мл), а длинный поршень - для длинного держателя (600 мл). Используйте необходимый поршень в соответствии с используемым типом держателя.
- Шток и поршень всегда должны быть чистыми. Налипание герметика может привести к повреждению инструмента.

Установка держателя

► Рис.11

► Рис.12

Удерживайте нижнюю часть держателя и соединение держателя, поверните держатель по часовой стрелке. Надежно затяните его до упора.

Убедитесь, что держатель надежно зафиксирован. Несоблюдение данного требования может привести к повреждению инструмента.

Чтобы снять держатель, поверните его против часовой стрелки.

ПРИМЕЧАНИЕ:

- Для упрощения работы с инструментом держатели можно менять.
- Короткий держатель (300 мл) предназначен только для картриджей. С коротким держателем (300 мл) следует использовать только поршень А и не использовать его с блоками пленочного типа или для прямого заполнения. Используйте необходимый поршень в соответствии с используемым типом держателя.

Установка картриджа

УВЕДОМЛЕНИЕ:

- Убедитесь, что поршень А подсоединен к штоку. Запрещается использовать другие типы поршней для работы с картриджами.

Установка картриджа в короткий держатель (300 мл)

► **Рис.13:** 1. Рукоятка штока

Медленно отведите рукоятку штока назад до упора.

► **Рис.14**

Вставьте картридж в держатель как показано на рисунке.

Аккуратно надавите на шток, чтобы поршень коснулся нижней части картриджа.

Для извлечения картриджа отведите шток назад до упора и поднимите картридж.

Установка картриджа в длинный держатель (600 мл)

► **Рис.15:** 1. Крышка держателя 2. Рукоятка штока

Снимите крышку с держателя.

Медленно отведите рукоятку штока назад до упора.

► **Рис.16:** 1. Крышка держателя

Вставьте картридж в держатель.

Установите крышку держателя. Убедитесь, что она надежно зафиксирована.

Аккуратно надавите на шток, чтобы поршень коснулся нижней части картриджа.

Для извлечения картриджа снимите крышку держателя и вытащите картридж.

УВЕДОМЛЕНИЕ:

- Перед установкой обязательно проверьте картридж на предмет проколов или повреждений. Запрещается использовать поврежденный картридж. Несоблюдение данного требования может привести к повреждению инструмента.
- При использовании неполного картриджа снимите с него налипший материал.

Установка блока пленочного типа

УВЕДОМЛЕНИЕ:

- Убедитесь, что поршень В подсоединен к штоку. Запрещается использовать другие типы поршней для работы с блоками пленочного типа.
- Блок пленочного типа можно устанавливать только в длинный держатель (600 мл).

Снимите крышку держателя, сопло и резиновое кольцо с держателя.

Медленно отведите рукоятку штока назад до упора.

► **Рис.17**

Обрежьте конец блока пленочного типа.

Вставьте блок пленочного типа в держатель.

► **Рис.18:** 1. Резиновое кольцо 2. Форсунка 3. Крышка держателя

Установите резиновое кольцо, сопло и крышку держателя. Убедитесь, что крышка надежно зафиксирована.

Аккуратно надавите на шток, чтобы поршень коснулся нижней части блока пленочного типа.

ПРИМЕЧАНИЕ:

- Перед установкой обязательно проверьте блок на предмет проколов или повреждений. Запрещается использовать поврежденный блок. Несоблюдение данного требования может привести к повреждению инструмента.

Прямое заполнение

УВЕДОМЛЕНИЕ:

- Убедитесь, что поршень С подсоединен к штоку. Запрещается использовать другие типы поршней для выполнения прямого заполнения.
- Прямое заполнение может осуществляться только при использовании длинного держателя (600 мл).

Снимите крышку держателя, сопло и резиновое кольцо с держателя.

Убедитесь, что рукоятка штока переведена в крайнее переднее положение.

Погрузите впускное отверстие держателя в материал герметика.

Медленно потяните рукоятку штока, чтобы наполнить держатель необходимым количеством герметика.

Установите резиновое кольцо, сопло и крышку держателя. Убедитесь, что крышка надежно зафиксирована.

УВЕДОМЛЕНИЕ:

- Очищайте держатель соответствующим растворителем после каждого дня работ. В противном случае налипший материал герметика может привести к поломке инструмента.

ЭКСПЛУАТАЦИЯ

ВНИМАНИЕ:

- Не касайтесь штока во время работы. Несоблюдение данного требования может привести к защемлению пальца между штоком и корпусом инструмента.
- На время работы обязательно надевайте очки.

УВЕДОМЛЕНИЕ:

- Не закрывайте вентиляционные отверстия – это может привести к перегреву и повреждению инструмента.
- Если не удастся вытянуть шток, поверните поворотный регулятор скорости в положение 1, одновременно потяните курковый выключатель и попытайтесь вытянуть шток после выключения двигателя. Если шток по-прежнему заблокирован, выполняйте данную процедуру, пока шток не начнет двигаться.

Обрежьте конец сопла, подходящего для конкретной работы. Следите, чтобы не обрезать сопло слишком сильно. От диаметра сопла зависит количество подаваемого герметика. Потяните курковый выключатель для подачи материала герметика.

Количество подаваемого герметика определяется курковым выключателем, поворотным регулятором скорости, диаметром отверстия сопла, типом герметика и температурой.

При первом использовании рекомендуется перевести поворотный регулятор скорости в положение 1 и медленно потянуть курковый выключатель, чтобы проверить количество подаваемого герметика. Когда поршень достигает переднего конца, двигатель начинает работать на холостом ходу. В этом случае замените блок с герметиком.

ПРИМЕЧАНИЕ: Если материал герметика не поддается, проверьте следующее:

- Конец сопла обрезан ненадлежащим образом. Обрежьте конец сопла в соответствии с видом работ.
- Затвердевший материал засорил сопло. Удалите затвердевший материал.
- Картридж поврежден. Замените картридж.
- Материал герметика затвердел. Нагрейте материал, чтобы размягчить его.
- Используется неправильный поршень. Используйте надлежащий тип поршня.

ТЕХОБСЛУЖИВАНИЕ

ВНИМАНИЕ:

- Перед выполнением какого-либо осмотра или обслуживания инструмента убедитесь, что устройство выключено и его аккумуляторный блок снят (исключение составляют следующие случаи поиска неисправностей, относящихся к подсветке).
- Запрещается использовать бензин, лигроин, растворитель, спирт и т.п. Это может привести к изменению цвета, деформации и появлению трещин.
- Очищайте держатель и шток после каждого дня работ. Очищайте их от клейкого материала. Удаляйте материал герметика до того, как он затвердеет. Оставшийся клейкий материал может привести к повреждению инструмента.

Для обеспечения БЕЗОПАСНОСТИ и НАДЕЖНОСТИ изделия ремонт, проверка и замена угольных щеток и любые другие работы по техобслуживанию или регулировке должны осуществляться в уполномоченных сервис-центрах Makita с использованием запасных частей только производства компании Makita.

ДОПОЛНИТЕЛЬНЫЕ ПРИНАДЛЕЖНОСТИ

ВНИМАНИЕ:

- Эти принадлежности или насадки рекомендуются использовать вместе с вашим инструментом Makita, описанным в данном руководстве. Использование каких-либо других принадлежностей или насадок может представлять опасность получения травм. Используйте принадлежность или насадку только по указанному назначению.

Если вам необходимо содействие в получении дополнительной информации по этим принадлежностям, свяжитесь со своим местным сервис-центром Makita.

- Поршень A
- Поршень B
- Поршень C
- Комплект короткого держателя (300 мл)
- Комплект длинного держателя (600 мл)
- Патрубок
- Защитные очки
- Оригинальный аккумулятор и зарядное устройство Makita

ПРИМЕЧАНИЕ:

- Некоторые элементы списка могут входить в комплект инструмента в качестве стандартных приспособлений. Они могут отличаться в зависимости от страны.

Makita Europe N.V. Jan-Baptist Vinkstraat 2,
3070 Kortenberg, Belgium

Makita Corporation 3-11-8, Sumiyoshi-cho,
Anjo, Aichi 446-8502 Japan

www.makita.com

885260D988
EN, SV, NO, FI, LV,
LT, ET, RU
20170627