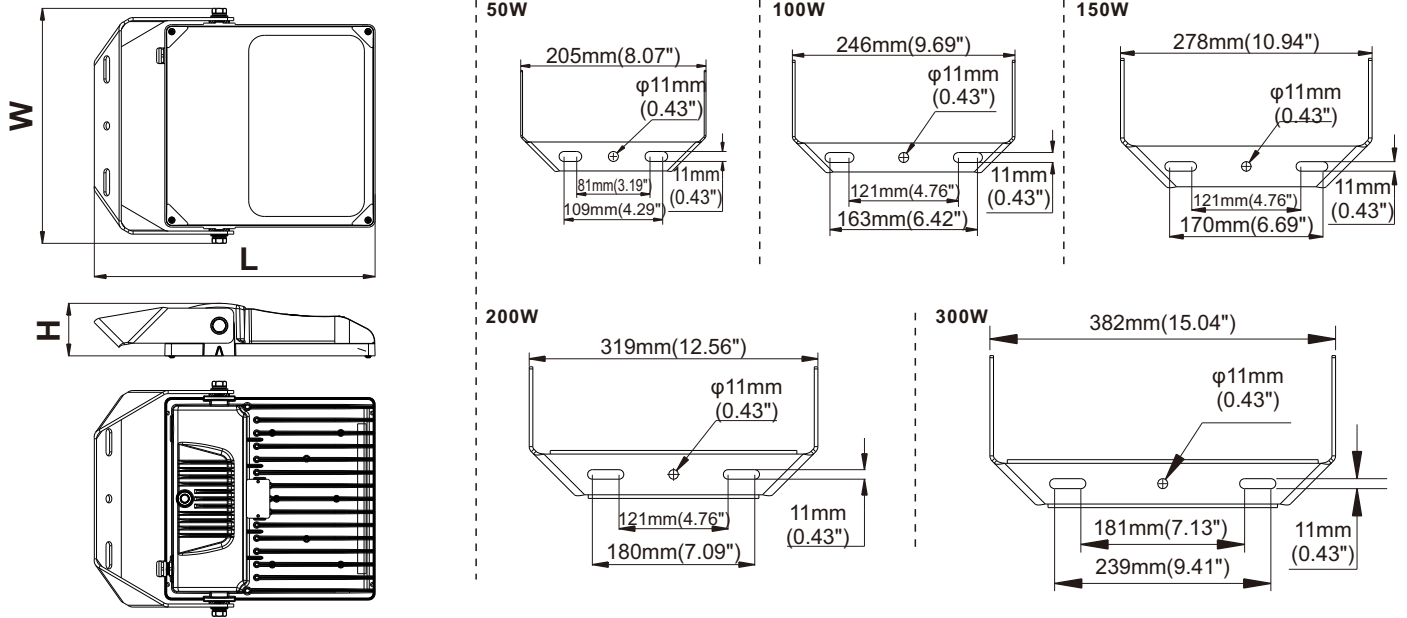
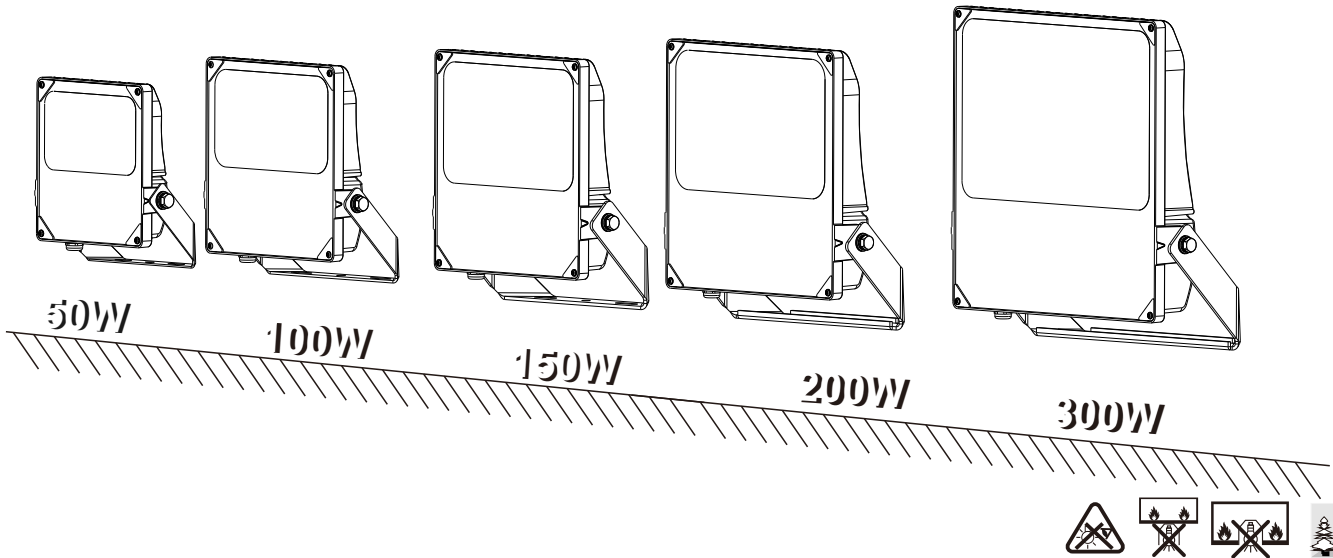
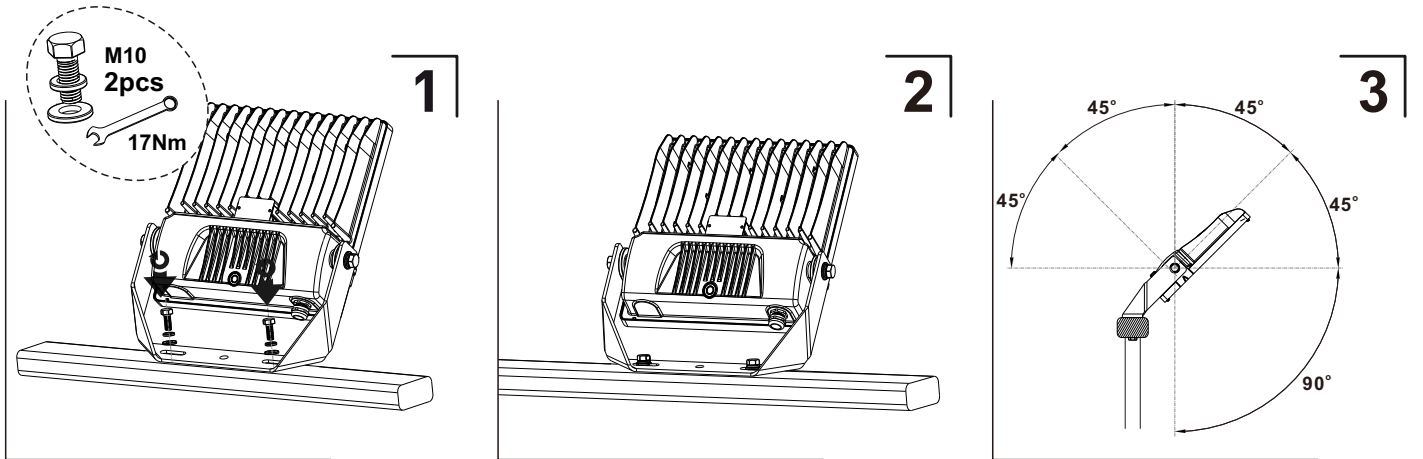


## Monteringsvejledning

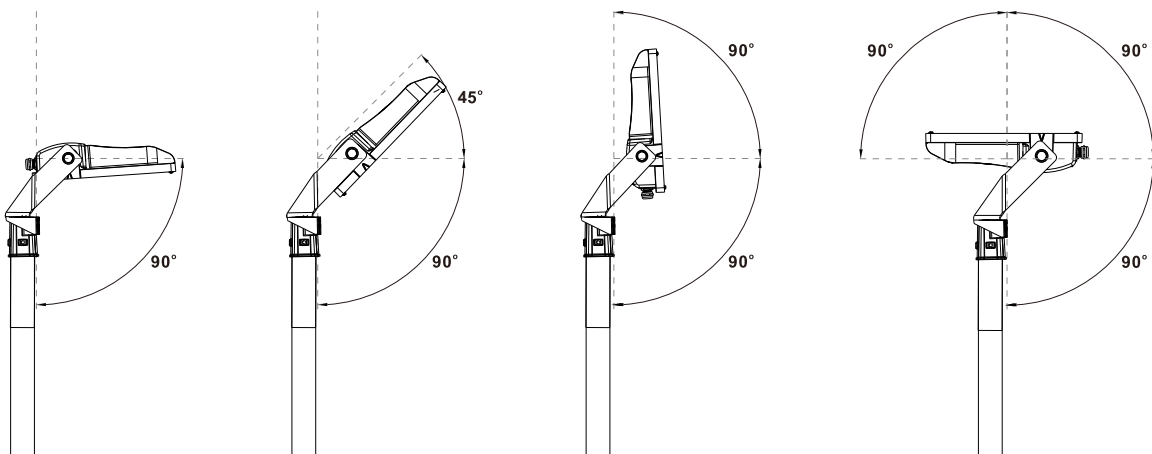
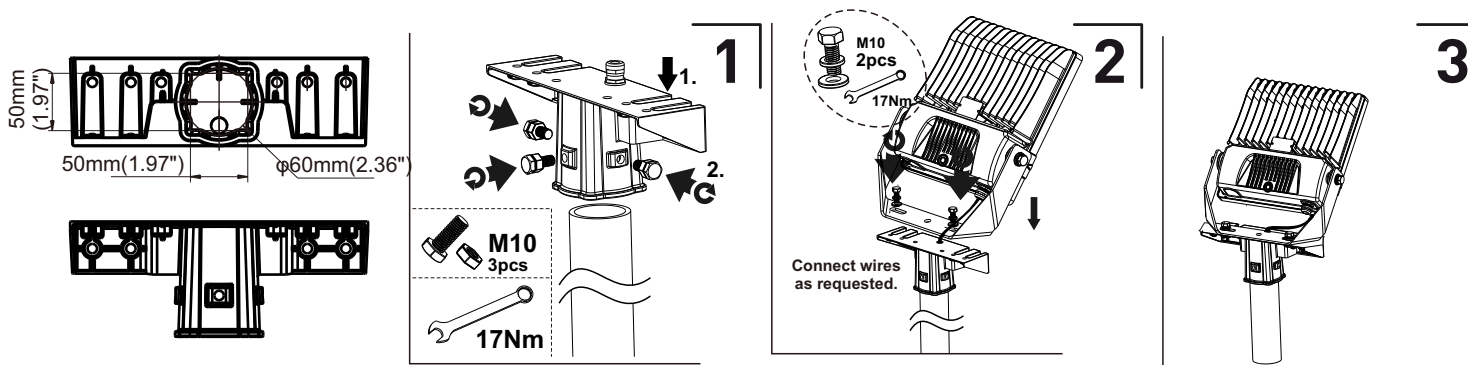


Product Specifications	50W	100W	150W	200W	300W
<b>Size (L x W x H)</b>	267x228x55mm (10.51"x8.99"x2.17")	314x269x61mm (12.36"x10.59"x2.40")	360x302x67mm (14.18"x11.89"x2.64")	398x343x70mm (15.67"x13.5"x2.76")	470x406x80mm (18.50"x15.98"x3.15")
<b>Weight (Driver included)</b>	1.8±0.3kg (3.9±0.66Lbs)	2.8±0.3kg (6.2±0.66Lbs)	3.9±0.3kg (8.6±0.66Lbs)	5.3±0.3kg (11.7±0.66Lbs)	8.1±0.3kg (17.8±0.66Lbs)
<b>Effective Projected Area (EPA)</b>	0.49ft <sup>2</sup>	0.71ft <sup>2</sup>	0.91ft <sup>2</sup>	1.18ft <sup>2</sup>	1.73ft <sup>2</sup>
<b>Input Voltage</b>	220-240 VAC				
<b>Working Temperature</b>	-30°C to +50°C (-22°F to +122°F)				
<b>Storing Temperature</b>	-40°C to +70°C (-40°F to +158°F)				

## Monteringsvejledning



**2**



**3**

L	brown	black	Dimmable				
N	blue	white	DIM+ / DA1	blue	brown	purple	white
⊕ GND	yellow/green	green	DIM- / DA2	white	blue	gray	black

Hvis det eksterne fleksible kabel eller ledning i dette armatur er beskadiget, skal det udskiftes udelukkende af fabrikanten eller hans serviceagent eller en lignende kvalificeret person for at undgå fare.

**4**