

LINHAI 565 T3 ATV - 9062798, 9062803, 9063294 & 9063295

Reservedele
Spare parts



P.Lindberg

Version 3 DK

revisionsdato: 06.03.2023

INDHOLDSFORTEGNELSE / INDEX

Fig 1: Styr / handlebar

Fig 2: Brændstoftank / fuel tank

Fig 3: Skærmdele bagagebærer bag/ fenderparts rear

Fig 4: Stel, Steldele, sæde, benzintank plastdele./ Frame fenderparts fueltank

Fig 5: Skærmdele, bagagebærer, lygter, kølergitter, front. /Fenderparts front

Fig 6: Støddæmper, front / shock absorber, front

Fig 7: Bærearml, bag / rear arm

Fig 8: Forhjul / front wheel

Fig 9: Baghjul / rear wheel

Fig 10: Skiftestang / shift rod

Fig 11: Gearkasse, front og bag / front and rear gearbox

Fig 11B: Gearkasse, front og bag "landevej" / front and rear gearbox "road"

Fig 12: Venstre drivaksel, front (4WD) / front right drive axle (4WD)

Fig 13: Højre drivaksel, bag (XL) / rear left drive axle (XL)

Fig 14a: Venstre drivaksel, bag (XL) / rear right drive axle (XL)

Fig 14 B: Højre drivaksel, bag (XL) / rear right drive axle (XL)(Match rear diff. W lc

Fig 15a: Højre bagerste drivaksel XL/Rear drive axel XL.

Fig 15B: Højre bagerste drivaksel XL/Rear right drive axel XL (Match Rear dif. W l

Fig 16: Kardanaksel for/bag. Spindel, front og bag / front and rear knuckle assy

Fig 17: Styraksel lodret/Steering column

Fig 18: Elektrisk system/Electrical system.

Fig 19: Bremsesystem/Braking system

Fig 19b: Bremsesystem t/fast bagtøj/Braking system (match rear diff . With lock)

Fig 20: Parkeringsbremse / auxiliary brake

Fig 21: Bremsepedal / pedal brake

Fig 22: Kofanger og stel / bumper and rack

Fig 23: Elektrisk servostyring/EPS

Fig 24: Motorophæng/engine Assy.

Fig 25: Forreste differentiale/Front gear-box

Fig 26a: Bagerste differentiale/Rear gear-box

Fig 26b: Bagerste differentiale/Rear gear-box

Fig E1: Ventil dæksel/head cover

Fig E2: Topstykke/Cylinder head

Fig E3: Knastaksel/Camshaft

Fig E4: Cylinder/Cylinder

Fig E5: Krumtap/Crankshaft Comp

Fig E6: Venstre krumtaphus / Left crankcase

Fig E7: Krumtaphus højre/ Right crankcase

Fig E8: CVT-hus/ Cvt housing

Fig E9: CVT-dæksel/CVT cover

Fig E10: Venstre krumtaphus cover, ny / left crankcase cover, new

Fig E11: Generator / generator

Fig E12: Starter (elektrisk) / electric starter

Fig E13: Kobling / clutch

Fig E14: Transmission I / transmission I

Fig E15: Transmission II / transmission II

Fig E16: Transmission III / transmission III

Fig E17: Oliepumpe / oil pump

Fig E18: Vandpumpe / water pump

Fig E19: Gasspjældshus/fuel injection assy

Fig E20: Cover, venstre side, ny / left side cover

Fig E21: Kølersystem/Radiator

Fig E22: Oliekøler / oil radiator

Fig E23: Luftfilter/Air cleaner

Fig E24: CVT luftkøler / CVT air shroud

Fig E25: Udstødningssystem/Exhaust T3

Fig E26: Specialværktøj/Tool

Fig E27: Trækspil/Winch

Fig E28: Motorpakningsæt/Fragile Gasket assy

Fig. 1: Styr / handlebar

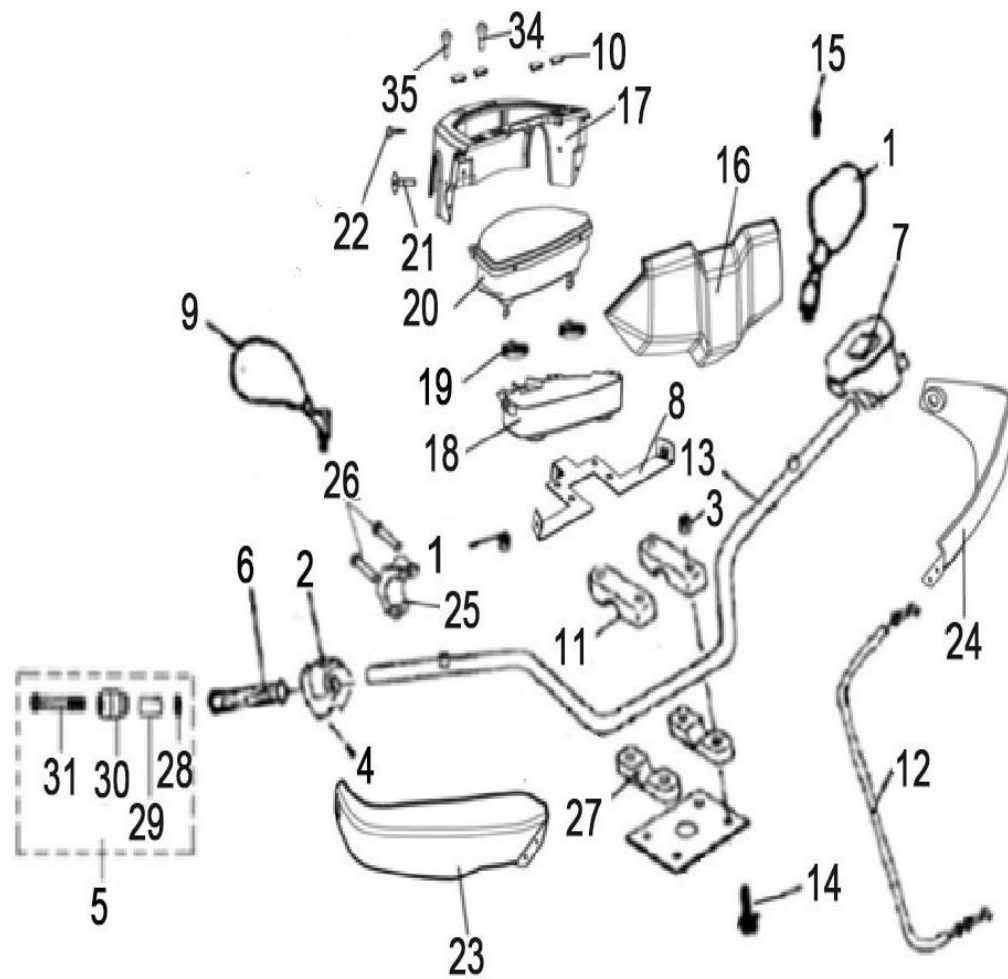


Fig. 1: Styr / handlebar					
Ref. no.	PL nr / art. no.	Varenavn	Art. name	OE no.	Antal / pcs
1	N/A	Bakspejl, venstre	Rear view mirror, left	36101	1
2	9063243	Gasregulering (m/2WD/4WD kontakt)	THROTTLE CONTROL (WITH 2WD/4WD SWITCH) (WITHIN DIFF-LOCK)	35734	1
3	9050207	Møtrik, M8	Nut, M8	10079	9
4	9034773	Bolt, M6x12	Bolt, M6x12	10140B	1
5	9054232	Endestykke for styr	Handlebar end, assy	72037	2
6	N/A	Håndtag	Grip	35727	2
7	N/A	Kontakt, komplet	Switch, assy	72212	1
8	N/A	Beslag t/speedometer	Bracket, speedometer	36020	1
9	N/A	Bakspejl, højre	Rear view mirror, right	36103	1
10	9057112	Cover f/speedometer	Cover cap f/speedometer	25010	4
11	9057113	Clamp t/styr	Clamp, handlebar	20112a	2
12	9065612	Gaskabel	Throttle cable	36423	1
13	N/A	Styr	Handlebar	36099	1
14	N/A	Bolt, M8x72	Bolt, M8x72	10531	4
15		Skrue, M6x12	Screw, M6x12	11532	2
16	N/A	Cover, front speedometer (sort)	FRONT SPEEDOMETER COVER (BLACK) (INJECTION MODEL)	361161H	1
16	N/A	Cover, front speedometer (rød)	FRONT SPEEDOMETER COVER (RED) (INJECTION MODEL)	361162G	1
16	N/A	Cover, front speedometer (hvid)	FRONT SPEEDOMETER COVER (WHITE) (INJECTION MODEL)	361166F	1
16	N/A	Cover, front speedometer (Beige)	FRONT SPEEDOMETER COVER (SAND) (INJECTION MODEL)	361164P	1
16	N/A	Cover, front speedometer (Camouflage)	FRONT SPEEDOMETER COVER (CONCEAL CAMO) (PAINTING)	361167F	1
16	N/A	Cover front speedometer (Sand)	FRONT SPEEDOMETER (SAND) (PAINTING)	361164M	1
17	N/A	Cover, bag speedometer	Rear speedometer cover	36117	1
18	N/A	Speedometer holder	Handlebar cover, right	36115	1
19	N/A	Gummiskive	Gummiskive	22351	2
20	9063245	LCD speedometer, EFI	LCD speedometer, EFI	35872	1
21	9039399	Skrue, M6x16	Screw, M6x16	10420	12
22	N/A	Skrue, ST4,8x12	Screw, ST4.8x12	10520	4
23	N/A	Cover t/styr, højre	Handlebar cover, right	36288	1
24	N/A	Cover t/styr, venstre	Handlebar cover, left	36289	1
25	9045066	Overfald f/spejlbeslag	Down holder, rear view mirror	25526	1
26	9034722	Bolt. M6x20	Bolt, M6x20	10008	2
27	N/A	Overfald/clamp t/styr	Handlebar, down clamp	36434	2

Fortsættes

Fig. 2: Brændstoftank / fuel tank

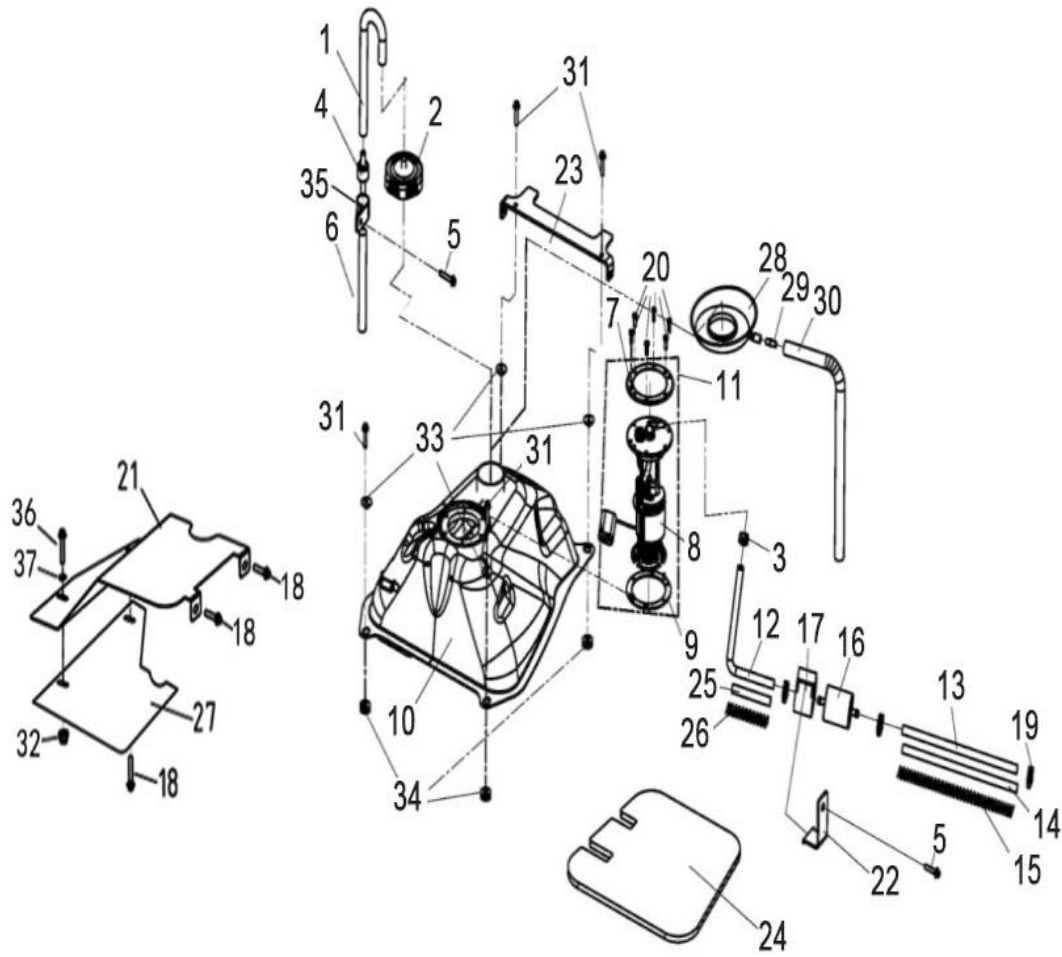


Fig. 2: Brændstoftank / fuel tank					
Ref. no.	PL nr / art. no.	Varenavn	Art. name	OE no.	Antal / pcs
1	N/A	Oliespild rør	Tube, fuel cap breather	28095	1
2	9030701	Tankdæksel	Fuel cap	70725	1
3	N/A	Spændebånd 4,5mm	SINGLE EAR CLAMP (φ4.5)	84428	1
4	9030708	Ventil	DUMPING VALVE	25037	1
5	N/A	Bolt M6x10	BOLT M6X10	10971	2
6	N/A	Slange	Tube	70734	1
9	N/A	Gummopakning	RUBBER WASHER	36440	1
10	9063244	Benzintank	FUEL TANK	36441	1
11	9063246	Benzinpumpe modul	FUEL PUMP ASSY	36442	1
12	N/A	Benzinslange	FUEL HOSE 1	36443	1
13	N/A	Benzinslange pumpe til filter	FUEL HOSE (Pump to Filter)	38153	1
14	N/A	Benzinslange	FUEL LINE ADIABATIC PELLICLE	36073	1
15	N/A	Fjederbeskyttelse f/benzinslange	FUEL LINE SPRING	36077	1
16	N/A	Benzinfilter	Fuelfilter	70842	1
17	N/A	Benzinfilter holder	FUEL FILTER INSTALLATION	70845	1
18	9050221	Bolt M6x20	BOLT M6X20	11080	6
19	N/A	Spændebånd	HOSE CLAMPS 8/14	71658	3
20	9049181	Skrue M5x16	SCREW M5X16	10201	6
21	N/A	Plade f/benzintank	PLATE, VALVE, TANK, FUEL	35830	1
22	N/A	Holder benzinfilter	PLATE, FUEL FILTER	36142	1
23	N/A	Holder f/sæde	MOUNTING BRACKET, SEAT	36023	1
24	N/A	kantbeskytter	FUEL TANK ADIABATIC PELLICLE	36464	1
25	N/A	Benzinslange beskytter	FUEL LINE ADIABATIC PELLICLE	36465	1
26	N/A	Beskyttelse benzintank fjeder	FUEL LINE SPRING	36466	1
27	N/A	Varmebeskyttelse benzintank	ADIABATIC PELLICLE, VALVE, TANK, FUEL	35755	1
28	N/A	Spildopfanger	The OIL SPILL	36078	1
29	9058039	Studs	Joint	60210	1
30	9058040	Udluftningsslange	BREATHER PIPE (φ5Xφ9X450)	35501	1
31	N/A	Bolt M6x35	BOLT M6X35	11069	6
32	9050206	Møtrik M6	NUT M6	11454	2
33	N/A	Beskyttelse benzintank	FUEL TANK BUFFER SLEEVE	36064	4
34	N/A	Beskyttelse benzintank	FUEL TANK BUFFER SLEEVE	36065	4
35	N/A	Holder f/ventil	DUMP VALVE FIXING PLATE	25351	1
36	9050223	Bolt M6x40	BOLT M6X40	11098	1
37	9050201	Planskive Ø6	WASHER 6	10006	1

Fig 3: Ophæng, bag / rear fenders

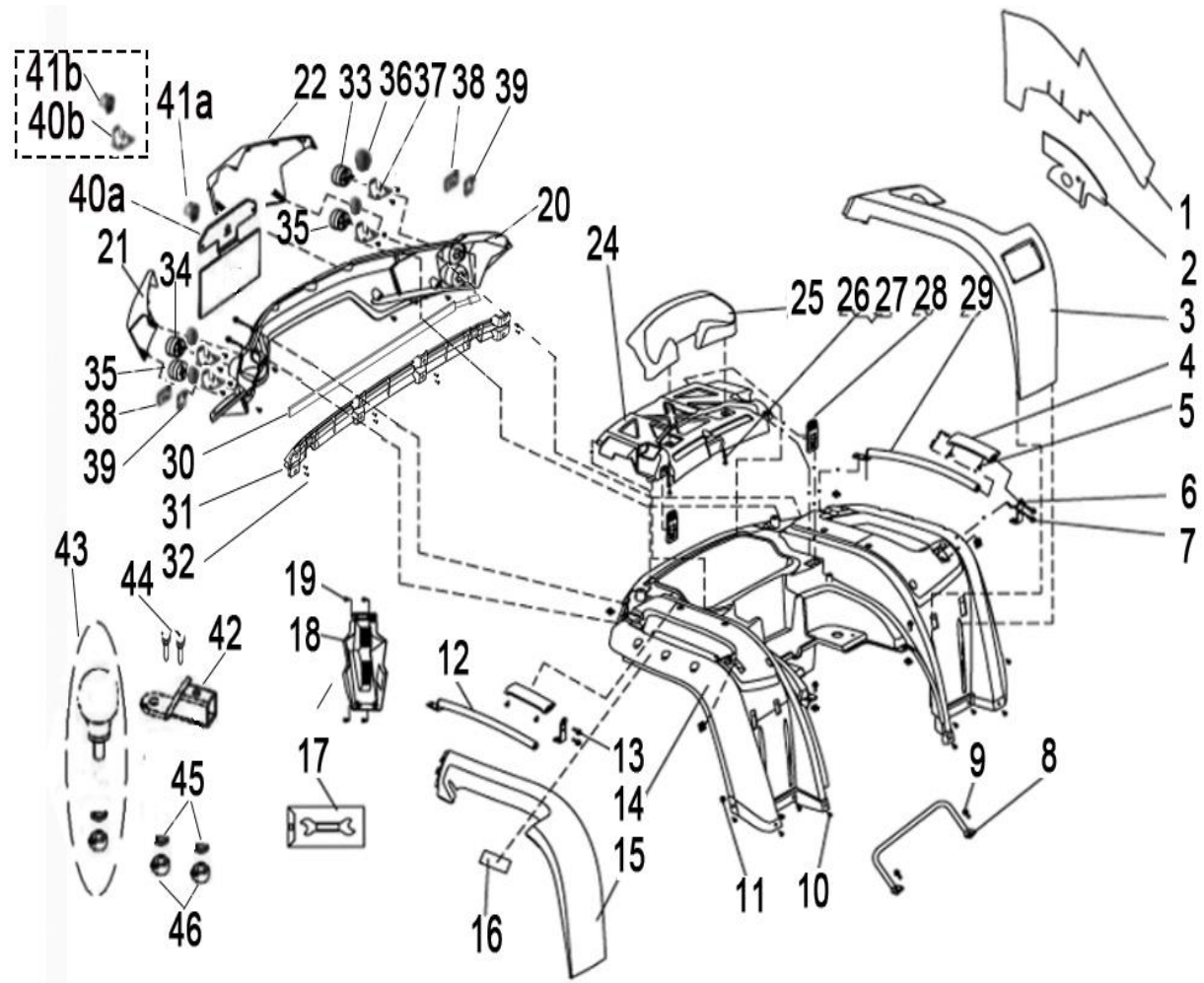


Fig. 3: Ophæng, bag / rear fenders

Ref. no.	PL nr / art. no.	Varenavn	Art. name	OE no.	Antal / pcs
1	N/A	Decor film bagskærn 1	REAR MUD ADIABATIC PELLICLE 1	36045	1
2	N/A	Decor film bagskærn 2	REAR MUD ADIABATIC PELLICLE 2	36046	1
3	9057450	Bagskærmsafdækning venstre bag (sølv)	REAR LEFT TRIM COVER 1 (SILVER) (PAINTING)	360376C/36037	1
3	N/A	Bagskærmsafdækning venstre bag (camouflage)	REAR LEFT TRIM COVER 1 (CONCEAL CAMO) (PAINTING)	360377F	1
4	N/A	Gummiafdækning	ARM RUBBER SLEEVE	36083	2
5	N/A	Bolt	Bolt	36446	4
6	N/A	Holdearm/plade	CONNECTING PLATE OF ARM TUBE	36090	2
7	N/A	Bolt M6x12	BOLT M6X12	11031	2
8	N/A	Sædelås	LATCH ASSEMBLY	36081	1
9	N/A	Skrue M6x20	SCREW M6X20	11449	2
10	9039399	Skrue M6x16	SCREW M6X16	10420	12
11	9050206	Møtrik M6	NUT 6	10913	12
12	N/A	Panik håndtag	RIGHT REAR ARM TUBE ASSEMBLY	36089	1
13	N/A	Bolt M6x12	BOLT M6X12	11031	2
14	9057444	Bagskjold	REAR FENDER (TWO HOLE USED FOR ASSEMBLE REAR RACK)	36036a	1
15	9057451	Bagskærmsafdækning højre (sølv)	REAR RIGHT TRIM COVER 1 (SILVER) (PAINTING)	360386c/36086	1
15	N/A	Bagskærmsafdækning højre (camouflage)	REAR RIGHT TRIM COVER 1 (CONCEAL CAMO) (PAINTING)	360387f	1
15	N/A	Bagskærmsafdækning højre (Titanium)	REAR RIGHT TRIM COVER 1 (TITANIUM ALLOYS) (PAINTING)	360388a	1
15	N/A	Bagskærmsafdækning højre (sandfarvet)	REAR RIGHT TRIM COVER 1(SAND) (PAINTING)	360384m	1
17	N/A	Værktøj	TOOL	25044	1
18	9057130	Afdækning bag	REAR DECORATION COVER	35498	1
19	N/A	Bolt M6x12	BOLT M6X12	11031	4
20	9065484	Stel til baglys	REAR LIGHT FRAME	35870	1
21	9057453	Højre bagcover, 2 (sølv)	Rear right trim cover 2 (silver painting)	36040/360406c	1

21	N/A	Højre bagcover 2 (camouflage)	REAR RIGHT TRIM COVER 2 (CONCEAL CAMO) (PAINTING)	306407f	1
21	N/A	Højre bagcover 2 (Titan)	REAR RIGHT TRIM COVER 2 (TITANIUM ALLOYS) (PAINTING))	360408a	1
21	N/A	Højre bagcover 2 (sandfarve)	REAR RIGHT TRIM COVER 2 (SAND) (PAINTING)	360404m	1
22	9057452	Venstre bagcover, 2 (sølv)	Rear left trim cover 2	36039/360396c	1
22	N/A	Venstre bagcover 2 (camouflage)	REAR LEFT TRIM COVER 2 (CONCEAL CAMO) (PAINTING)	360397f	1
22	N/A	Venstre bagcover 2 (Titan)	REAR LEFT TRIM COVER 2 (TITANIUM ALLOYS) (PAINTING)	360398a	1
22	N/A	Venstre bagcover 2 (sand)	REAR LEFT TRIM COVER 2 (SAND) (PAINTING)	360394m	1
24	N/A	Værktøjskasse låg	BACK TOOL BOX COVER	36043	1
25	9057454	Bagstykke kort	SHORT BACK	36080	1
26	9034221	Skive M6	WASHER 6	10006	3
27	9033865	Møtrik M6	NUT 6	10004	3
28	N/A	Gummistrop f/låg	TOOLBOX LOCK	36082	2
29	N/A	Holdebøjle venstre	LEFT REAR ARM ASSEMBLY	36088	1
30	N/A	LED-bånd blå	LED LAMP BAND (BLUE) (ALTERNATIVE)	35871	1
30	9065284	LED-bånd rød	LED LAMP BAND (RED) (ALTERNATIVE)	35903	1
31	N/A	Bagstykke f/ledbånd	LAMP BELT MOUNTING PLATE	35878	1
32	N/A	Skrue selvsøkørende 4,8x13	SCREW ST4.8X13	11195	8
33	9049709	Blinklygte venstre T3	LEFT REAR INDICATION LIGHT (CERTIFIED T3)	73324	2
33	9057445	Blinklygte Euro	LEFT REAR INDICATION LIGHT (OPTIONAL, EUOR 4)	36125	2
34	9049707	Blinklygte højre T3	RIGHT REAR INDICATION LIGHT (CERTIFIED T3)	73319	2
34	9057446	Blinklygte Euro	RIGHT REAR INDICATION LIGHT (OPTIONAL, EUOR 4)	36127	2
35	9049708	Baglygte rødT3	TAILLIGHT (CERTIFIED T3)	73320	2
35	9050390	Baglygte rød LED			2
35	9057447	Baglygte rød Euro	TAILLIGHT (OPTIONAL, EUOR 4)	36132	2
S	N/A	Gummiundelæg f/baglygter	RUBBER COVER FOR REAR LIGHT (ONLY USED FOR STANDARD T3)	72276	4

37	N/A	Holder f/baglygter	REAR REAR LAMP MOUNTING PANEL (ONLY USED FOR STANDARD T3)	72214	4
38	9049284	Reflex bag, rød	REAR REFLECTOR	40319	2
39	N/A	Holder bagreflex	REAR REFLECTOR MOUNTING PLATE	35758	2
40a	N/A	Holder nummerpladelys	BRACKET, LENS, LICENSE LIGHT	27606	1
40b	N/A	Holder nummerpladelys alternativt	BRACKET, LENS, LICENSE LIGHT (OPTION)	36430	1
41a	9058058	Nummerpladelys	LENS, LICENSE LIGHT	83459	1
41b	N/A	Nummerpladelys alternativt	LENS, LICENSE LIGHT (OPTION)	36131	1
42	9057941	Træk	PULL THE BALL	25294	1
43	9041819	Kugletræk 16mm	PULL THE BALL	25294	1
44	N/A	Bolt M16x85	BOLT M16X85	10865	2
45	9050205	Planskive M16	WASHER 16	27050	2
46	9051740	Låsemøtrik M16	NUT M16	10874	2

Fig. 4: Stel, mellemste & sæde/Middle fender and frame

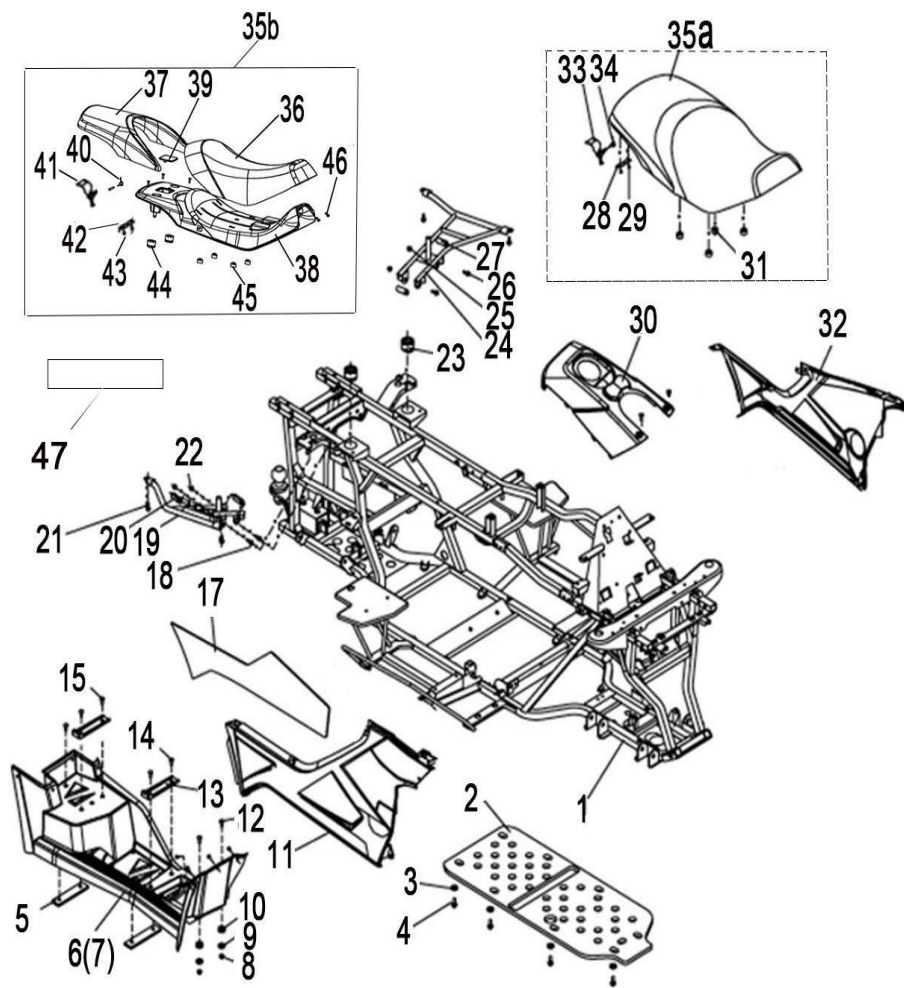


Fig. 4: Stel mellemst & sæde / middle fender and frame

Ref. no.	PL nr / art. no.	Varenavn	Art. name	OE no.	Antal / pcs
1	N/A	Stel T3	FRAME ASSY (T3)	72300	1
2	N/A	Bundplade	PLASTIC PLANT	36427	1
3	9050197	Skærmskive M6	WASHER 6	20331	8
4		Bolt M6x18	BOLT M6X18	11194	8
5	9057144	Gummiunderlæg	RUBBER WASHER	70300	4
6	9063166	Trinbræt/fodstøtte venstre	FOOTREST LEFT	36425	1
7	9063290	Trinbræt/fodstøtte højre	FOOTREST RIGHT	36426	1
8	9050206	Møtrik M6	NUT 6	10004	30
9	9058036	Gummiunderlæg	BUFFER SLEEVE	36065	10
10	N/A	Underlæg	BUFFER SLEEVE	36064	10
11	N/A	Sideskjold v/tank højre (sort)	SIDE COVER R (BLACK) (INJECTION MODEL)	364101H	1
11	N/A	Sideskjold v/tank højre (rød)	SIDE COVER R (RED) (INJECTION MODEL)	364102G	1
11	N/A	Sideskjold v/tank højre (hvid)	SIDE COVER R (WHITE) (INJECTION MODEL)	364106F	1
11	N/A	Sideskjold v/tank højre (sand)	SIDE COVER R (SAND) (INJECTION MODEL)	364104P	1
11	N/A	Sideskjold v/tank højre (camouflage)	SIDE COVER R (CONCEAL CAMO) (PAINTING)	364107F	1
11	N/A	Sideskjold v/tank højre (sand)	SIDE COVER R (SAND) (PAINTING)	364104M	1
12	N/A	Skrue M6x30	SCREW M6X30	29517	34
13	N/A	Skridstøtte	STEP	70336	4
14	9050221	Bolt M6x20	BOLT M6X20	11449	4
15	9050223	Bolt M6x40	BOLT M6X40	10177A	4
17	N/A	Sideskjold højre	FOOTREST RIGHT ADIABATIC PELLICLE	36251	1
18	9050236	Bolt M8x70	BOLT M8X70	25056	2
19	N/A	Holde beslag højre	TRESTLE RIGHT	36417	1
20	N/A	Holder	SLEEVE	36445	2
21	9034190	Bolt M6x16	BOLT M6X16	10183W	4
22	9050207	Møtrik M8	NUT 8	11442	2
23	9039611	Gummiunderlæg	RUBBER , SEAT SETTING 2	70445	2
24		Holde beslag venstre	TRESTLE LEFT	36416	1
25	9050207	Møtrik M8	NUT 8	11442	2
26	9050236	Bolt M8x70	BOLT M8X70	25056	2
27	N/A	Holder	SLEEVE	36445	1
28	N/A	Monteringsplade	CUSHION PLATE	70803	1
29	N/A	Skrue selvskærende 4,2x13	SCREW ST4.2X13	10178	25
30	N/A	Tank cover (sort)	TOP COVER OF FUEL TANK (OVERHEAD FUEL	364471H	1
30	N/A	Tank cover (rød)	TOP COVER OF FUEL TANK (OVERHEAD FUEL	364472G	1
30	N/A	Tank cover (hvid)	TOP COVER OF FUEL TANK (OVERHEAD FUEL	364476F	1
30	N/A	Tank cover (sand)	TOP COVER OF FUEL TANK (OVERHEAD FUEL	364474P	1

30	N/A	Tank cover (camouflage)	TOP COVER OF FUEL TANK(OVERHEAD FUEL	364477F	1
30	N/A	Tank cover (sand)	TOP COVER OF FUEL TANK(OVERHEAD FUEL	364474M	1
31	9030711	Gummidupper	RUBBER, SEAT SETTING 1	25042	4
32	N/A	Sideskjold v/tank venstre (sort)	SIDE COVER L (BLACK) (INJECTION MODEL)	364091H	1
32	N/A	Sideskjold v/tank venstre (rød)	SIDE COVER L (RED)(INJECTION MODEL)	364092G	1
32	N/A	Sideskjold v/tank venstre (hvid)	SIDE COVER L (WHITE)(INJECTION MODEL)	364096F	1
32	N/A	Sideskjold v/tank venstre (ørkenfarve)	SIDE COVER L (DESERT YELLOW)(INJECTION	364094P	1
32	N/A	Sideskjold v/tank venstre (camouflage)	SIDE COVER L (CONCEAL CAMO)(PAINTING)	364097F	1
32	N/A	Sideskjold v/tank venstre (Sand ørkenfarve)	SIDE COVER L (DESERT YELLOW)(PAINTING)	364094M	1
33	9049268	Låsekrog	HOOK BRACKET, SEAT LOCK	70788	1
34	9049217	Fjeder f/låsekrog	SPRING	70802	1
35a	9063247	Sæde komplet "stort"	SEAT (WHOLE)	36252	1
35b	N/A	Sæde komplet "kun Tjekkiet"	SEAT (SPLIT, ONLY FOR USED FOR CZECH)	35873	1
36	N/A	Sædedel	FRONT SEAT	36412	1
37	9066019	Sædedel bag	REAR SEAT	36413	1
38	N/A	Sædebund	SEAT COVER	36415	1
39	N/A	Dæksel lille	LITTLE COVER	36414	1
40	9049217	Fjeder f/låsekrog	SPRING	70802	1
41	9049268	Låsekrog	HOOK BRACKET, SEAT LOCK	70788	1
42	N/A	Monteringspladen	CUSHION PLATE	70803	1
43	N/A	Skrue selvskærende 4,2X13	SCREW ST4.2X13	10178	2
44	9039611	Gummidæmper	RUBBER , SEAT SETTING 2	70445	2
45	9030711	Gummidæmper	RUBBER, SEAT SETTING 1	25042	2
46	9034420	Bolt M6x12	BOLT M6X12	10140B	8
47	N/A	Isolerings flim	SEAT INSULATION FILM	38193	1

Fortsættes

Fig. 5: Forparti skærmdele / front body parts

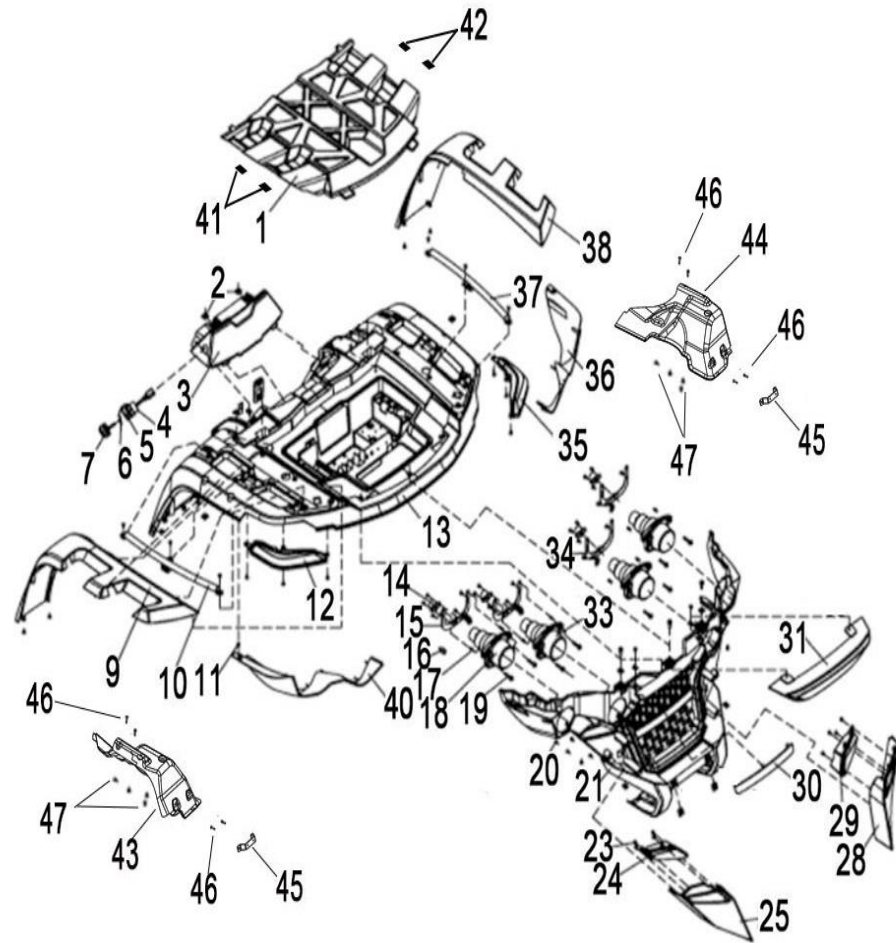


Fig. 5: Forparti skærmdele / front body parts

Ref. no.	PL nr / art. no.	Varenavn	Art. name	OE no.	Antal / pcs
1	9062335	Låg f/værktøjskasse	FRONT TOOL BOX COVER	36034	1
2	9049186	Clips møtrik	FLEXIBLE MOUNTING NUT	70960	20
3	9062337	Front cover, brændstoftank	FRONT COVER OF FUEL TANK	36047	1
4	9045060	Tændingslås nøglekontakt m/nøgle	IGNITION SWITCH WITH KEY	27457	1
5	9039404	Møtrik f/tændingslås	THREADED NUT	25004	1
6	N/A	Nøgle løs	KEY BLANK	25003	1
7	9039406	Dæksel/låg over tændingskontakt	IGNITION SWITCH COVER	27257	1
8	N/A		FRONT REFLECTION TAPE	71959	1
9	9057469	Skærmforøger højre	FRONT RIGHT TRIM COVER (USED FOR NO ASSEMBLE FRONT RACK) (SILVER)	360336C	1
9	N/A	Skærmforøger højre (camouflage)	FRONT RIGHT TRIM COVER (USED FOR NO ASSEMBLE FRONT RACK) (CONCEAL CAMO)	360337F	1
9	N/A	Skærmforøger højre (titan)	FRONT RIGHT TRIM COVER (USED FOR NO ASSEMBLE FRONT RACK) (TITANIUM)	360338A	1
9	N/A	Skærmforøger højre (sand)	FRONT RIGHT TRIM COVER (USED FOR NO ASSEMBLE FRONT RACK) (SAND) (PAINTING)	360334M	1
9	N/A	Skærmforøger højre (Camouflage)	FRONT RIGHT TRIM COVER (USED FOR ASSEMBLE FRONTRACK)(CONCEAL	36033A7F	1
9	N/A	Skærmforøger højre (titan)	FRONT RIGHT TRIM COVER (USED FOR ASSEMBLE FRONT RACK) (TITANIUM	36033A8A	1
9	N/A	Skærmforøger højre (sand)	FRONT RIGHT TRIM COVER (USED FOR ASSEMBLE FRONT RACK) (SAND) (PAINTING)	36033A4M	1
11	N/A	Selvskærende skrue St4,2x13	SCREW ST4.2X13	10178	2
12	9057467	Blinklygte højre front	FRONT TURN LIGHT R	36126	1
13	N/A	Frontcover/forskærm	FRONT COVER (USED FOR NO ASSEMBLE FRONTRACK)	36031	1
14	9039436	Kugleforbindelse lygtejustering	BALL JOINT, HEADLIGHT	27371	4
15	9057463	Beslag højre forlygte	RIGHT HEADLIGHT BRACKET ASSEMBLY	36059	2
16	N/A	Gummidækkappe over pære	RUBBER COVER	25608	6
17	N/A	Fjeder	SPRING	27373	8
18	9057147	Forlygte langt lys	HIGH BEAM HEADLIGHT	27455	2
19	N/A	Justerskrue langt lys	ADJUSTMENT BOLT, HEADLIGHT	27372	8

20	N/A	Selvskærende skrue St4,8x16	SCREW ST4.8X13	11195	12
21	N/A	Kølegitter	FRONT VENTILATION GRID	36024	1
23	N/A	Selvskærende skrue St4,8x13	SCREW ST4.8X13	11195	12
24	9057459	Kørellys front højre	THE FRONT RIGHT RIHANG LAMP	36130	1
25	9057457	Cover højre front nedre (sølv)	FRONT LOWER RIGHT DECORATIVE COVER (SILVER) (PAINTING)	360276C	1
25	N/A	Cover højre nedre front (camouflage)	FRONT LOWER RIGHT DECORATIVE COVER (CONCEAL CAMO) (PAINTING)	360277F	1
25	N/A	Cover højre nedre front (titan)	FRONT LOWER RIGHT DECORATIVE COVER (TITANIUM ALLOYS) (PAINTING)	360278A	1
25	N/A	Cover højre nedre front (sand)	FRONT LOWER RIGHT DECORATIVE COVER (SAND) (PAINTING)	360274M	1
26	9034190	Bolt M6x16	BOLT M6X16	10183W	13
27	N/A		TRACTOR COVER PLATE	36025	1
28	9057456	Cover venstre nedre front	FRONT LOWER LEFT DECORATIVE COVER(SILVER)(PAINTING)	360266C	1
28	N/A	Cover venstre nedre front (Camouflage)	FRONT LOWER LEFT DECORATIVE COVER (CONCEAL CAMO) (PAINTING)	360267F	1
28	N/A	Cover venstre nedre front (Titan)	FRONT LOWER LEFT DECORATIVE COVER (TITANIUM ALLOYS) (PAINTING)	360268A	1
28	N/A	Cover venstre nedre front (sand)	FRONT LOWER LEFT DECORATIVE COVER (SAND) (PAINTING)	360264M	1
29	9057458	Kørellys front venstre	THE FRONT LEFT RIHANG LAMP	36129	1
30	9063167	Front midterstykke	FRONT TRIM PANEL	36035	1
31	9057464	Kølegitter øverst decor (sølv)	FRONT DECORATIVE COVER (SILVER)	360306C	1
31	N/A	Kølegitter øverst decor (camouflage)	FRONT DECORATIVE COVER (CONCEAL CAMO)	360307F	1
31	N/A	Kølegitter øverst decor (titan)	FRONT DECORATIVE COVER (TITANIUM ALLOYS)	36030T	1
31	N/A	Kølegitter øverst decor (sand)	FRONT DECORATIVE COVER (SAND)	36030Y	1
33	N/A	Forlygte nærlys	DIPPED BEAM HEADLIGHT (MARK "HS1 12V 35W/35W ")	27456	2
34	9057462	Beslag forlygte venstre	LEFT HEADLIGHT BRACKET ASSEMBLY	36058	2
35	9057466	Blinklygte forrest venstre	FRONT TURN LIGHT L	36124	1
36	9057460	Lygteindsats venstre (sort)	LEFT FRONT HEADLIGHT FRAME (BLACK) (INJECTION MODEL)	360281H	1

36	N/A	Lygteindsats venstre (rød)	LEFT FRONT HEADLIGHT FRAME (RED) (INJECTION MODEL)	360282G	1
36	N/A	Lygteindsats venstre (hvid)	LEFT FRONT HEADLIGHT FRAME (WHITE) (INJECTION MODEL)	360286F	1
36	N/A	Lygteindsats venstre (sand)	LEFT FRONT HEADLIGHT FRAME (SAND) (INJECTION MODEL)	360284P	1
36	N/A	Lygteindsats venstre (camouflage)	LEFT FRONT HEADLIGHT FRAME (CONCEAL CAMO) (PAINTING)	360287F	1
36	N/A	Lygteindsats venstre (sand)	LEFT FRONT HEADLIGHT FRAME (SAND) (PAINTING)	360284M	1
37	9062329	Cover venstre bærende rør	THE FRONT COVER OF THE LEFT SUPPORTING TUBE ASSEMBLY	36091	1

38	9057468	Skærmforøger venstre	FRONT LEFT TRIM COVER (USED FOR NO ASSEMBLE FRONT RACK) (SILVER) (PAINTING)	360326C	1
38	N/A	Skærmforøger venstre (camouflage)	FRONT LEFT TRIM COVER (USED FOR NO ASSEMBLE FRONT RACK) (CONCEAL CAMO) (PAINTING)	360327F	1
38	N/A	Skærmforøger venstre (titan)	FRONT LEFT TRIM COVER (USED FOR NO ASSEMBLE FRONT RACK) (TITANIUM ALLOYS) (PAINTING)	360328F	1
38	N/A	Skærmforøger venstre (sand)	FRONT LEFT TRIM COVER (USED FOR NO ASSEMBLE FRONT RACK) (SAND) (PAINTING)	360324M	1
38	N/A	Skærmforøger venstre (sølv)	FRONT LEFT TRIM COVER (USED FOR ASSEMBLE FRONT RACK)(SILVER) (PAINTING)	36032A6C	1
38	N/A	Skærmforøger venstre (camouflage)	FRONT LEFT TRIM COVER (USED FOR ASSEMBLE FRONT RACK) (CONCEAL CAMO) (PAINTING)	36032A7F	1
38	N/A	Skærmforøger venstre (Titan)	FRONT LEFT TRIM COVER (USED FOR ASSEMBLE FRONT RACK) (TITANIUM ALLOYS) (PAINTING)	36032A8F	1
38	N/A	Skærmforøger venstre (sand)	FRONT LEFT TRIM COVER (USED FOR ASSEMBLE FRONT RACK) (SAND) (PAINTING)	36032A4M	1
40	9057461	Lygteindsats højre front	RIGHT FRONT HEADLIGHT FRAME (BLACK) (INJECTION MODEL)	360291H	1
40	N/A	Lygteindsats højre front (rød)	RIGHT FRONT HEADLIGHT FRAME (RED) (INJECTION MODEL)	360292G	1
40	N/A	Lygteindsats højre front (hvid)	RIGHT FRONT HEADLIGHT FRAME (WHITE) (INJECTION MODEL)	360296F	1
40	N/A	Lygteindsats højre front (sand)	RIGHT FRONT HEADLIGHT FRAME (SAND) (INJECTION MODEL)	360294P	1
40	N/A	Lygteindsats højre front (camouflage)	RIGHT FRONT HEADLIGHT FRAME (CONCEAL CAMO) (PAINTING)	360297F	1
40	N/A	Lygteindsats højre front (sand)	RIGHT FRONT HEADLIGHT FRAME (SAND) (PAINTING)	360294M	1
41	N/A	Skumgummi underlæg højre	FRONT TOOL COVER RIGHT BUFFER SPONGE	38194	2
42	N/A	Skumgummi underlæg venstre	FRONT TOOL COVER LEFT BUFFER SPONGE	38195	2
43	N/A	Afdækning venstre for	LEFT FRONT BAFFLE	38196	1

Fig. 6: Støddæmper, front / shock absorber, front

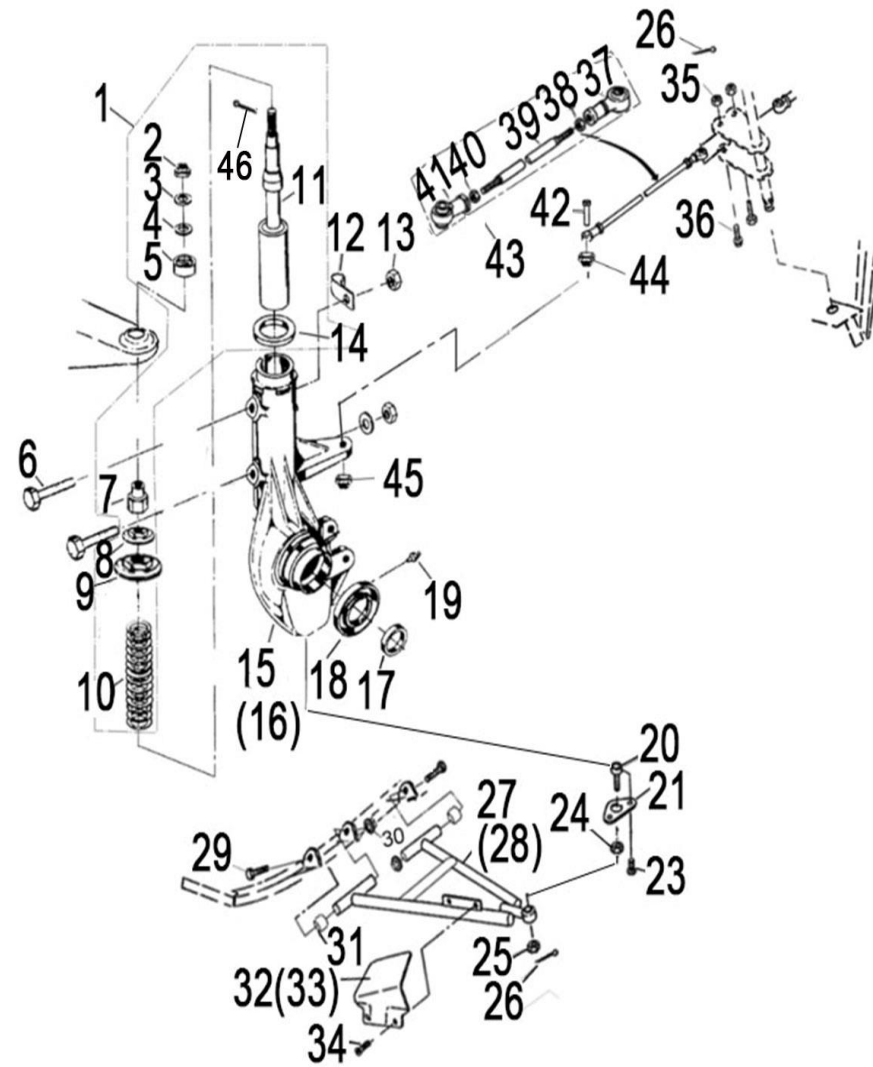


Fig. 6: Støddæmper, front / shock absorber, front

Ref. no.	PL nr / art. no.	Varenavn	Art. name	OE no.	Antal / pcs
1	9057477	Støddæmper, front - komplet	Front shock absorber, assembly	36159	2
2	9034762	Møtrik, M14x1,5	Nut, M14x1,5	10091	2
3	9034784	Skive	Washer	21802	2
4	9030444	Gummiskive	Rubber spacer	21803	2
5	9029652	Fjederbensleje, øverst	Upper pivot ball	21804	2
6	9034839	Bolt, M8x55	Bolt, M8x55	10093	4
7	9034852	Møtrik, M14x1,5	Nut, M14x1,5	21806	2
8	9029653	Fjederbensleje, nederst	Lower pivot ball	21807	2
9	9029654	Fjederskål	Spring retainer	21808	2
10	N/A	Fjeder	Spring	38199	2
11	9034745	Støddæmper for "uden split"	Strut bumper	26908	2
11	N/A	Støddæmper, for	STRUT BUMPER (PLUS THE COTTER PIN)	38203	2
12	N/A	Clamp	Clamp	32104	2
13	9050207	Møtrik, M8	Nut, M8	10079	4
14	9030095	Fjederskål	Spring retainer	21813	2
15	9057154	Fjederben, venstre	Strut body, left	35019	1
16	9057155	Fjederben, højre	Strut body, right	35016	1
17	9034757	Låsering	Circlip	26912	2
18	9034759	Forhjulsløje	Bearing	26913	2
19	N/A	Fedtnippel	Grease fitting	27074	2
20	9030061	Bærearmsbolt / tap	Ball joint stud	20512	2
21	9030062	Holder t/bærearmsbolt	Ball joint mounting bracket	20513	2
23	9034773	Bolt, M6x12	Bolt, M6x12	10022	4
24	9033907	Skive	Washer	10019	2
25	9034777	Møtrik, M10x1,25	Nut, M10x1,25	27067	2
26	9034779	Splitpind	Cotter pin, 2,5x25	10501	2
27	N/A	Bærearmløje, venstre	A-arm, left	20518F	1
28	9029800	Bærearmløje, højre	A-arm, right	20627F	1
29	9049609	Aksel for øverste bærearmløje	A-arm pivot shaft	27077	2

30	9033896	Møtrik, M12x1,25	Møtrik, M12x1,25	10136	4
31	9029799	Bøsning	Bushing	20524f	4
32	9030010	Bærearms beskytter, venstre	A-arm shield, left	20519	1
33	9030011	Bærearms beskytter, højre	A-arm shield, right	20628	1
34	9033898	Skrue, M5x12	Screw, M5x12	10001	4
35	9031005	Møtrik, M10x1,25	Nut, M10x1,25	10015	2
36	9034175 (inaktiv)	Bolt, M10x1,25x55	Bolt, M10x1,25x55	10016	2
37	9030064	Sporstangsende, A	Tie rod end, A	20503	2
38	N/A	Møtrik, højre	Jam nut (right)	10017	2
39	N/A	Sporstangsende, ny model	Tie rod (new model)	36147	2
40	N/A	Møtrik, venstre	Jam nut (left)	20506	2
41	9030065	Sporstangsende, B	Tie rod end, B	20507	2
42	N/A	Bolt	Bolt	35722	2
43	9057157	Justerbar sporstang	Tie rod assy (new model)	36146	2
44	9057158	T-muffe, front	Front T type	35017	1
45	9057159	T-muffe, ned	Down T type	35018	1
46	9034697	Split 2x20	COTTER PIN 2X20	10094	2

Fortsættes

Fig 7: Bærearmlag, bag / rear arm

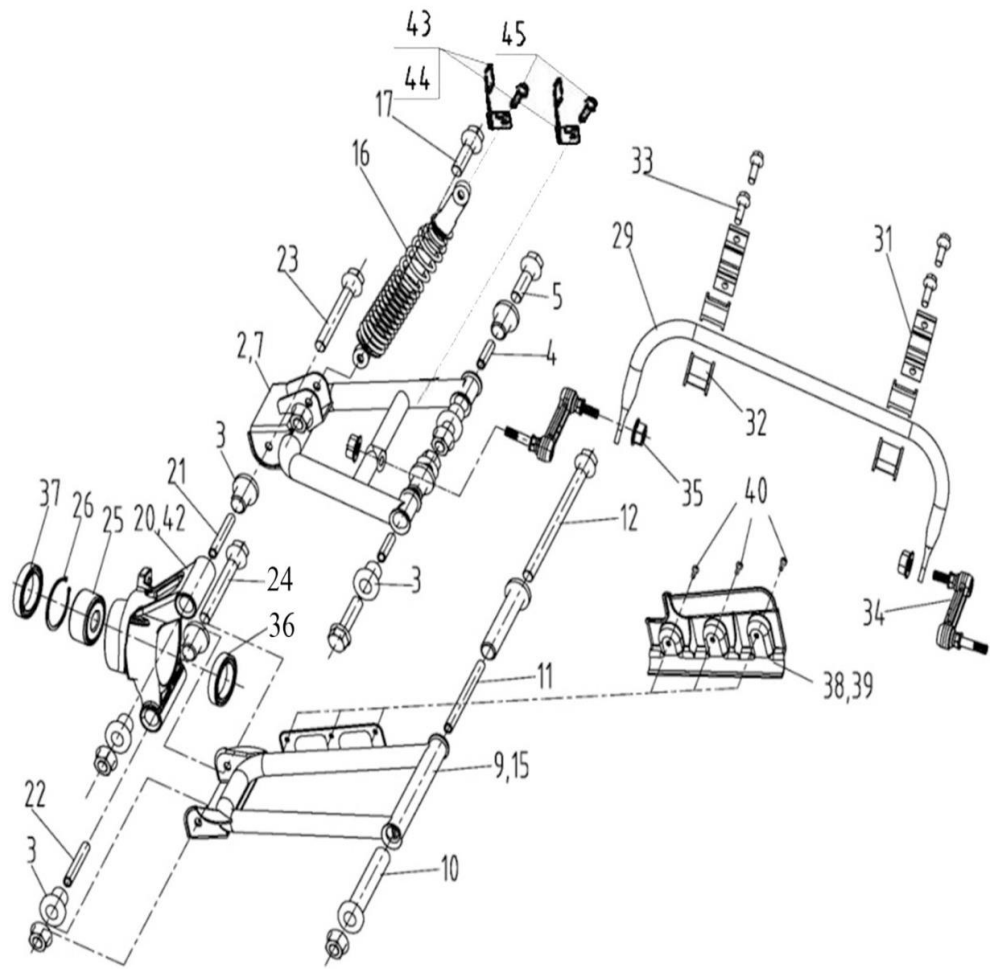


Fig 7: Bærearmlag, bag / rear arm

Ref. no.	PL nr / art. no.	Varenavn	Art. name	OE no.	Antal / pcs
2	9039414	Bærearmlag, B.H.Ø.	Arm, L. RR	27324	1
3	9039665	Gummibøsning, B. Ø. bærearmlag	Bush 1 arm, R. RR	70682	16
4	9039467	Bøsning	Collar	70683	4
5	9049216	Bolt, M10x1,25x80	Bolt, M10x1,25x80	70684	4
7	9039415	Bærearmlag, B.V.Ø.	Arm, R. RR	27325	1
9	9039416	Bærearmlag, B.V.N.	Arm set, L. RR	27326	1
10	9039654	Gummibøsning, Ø. bærearmlag	Bush 2 arm, R. RR	70665	4
11	9049302	Rørbøsning f/B.N. bærearmlag	Collar arm	70687	2
12	9049244	Akselbolt f/bærearmlag	Bolt	70688	2
15	9039417	Bærearmlag, B.H.N.	Arm set, R. RR	27327	1
16	9057478	Støddæmper, bag	Shock absorber, RR	36161	2
17	N/A	Bolt, M10x1,25x52	Bolt, M10x1,25x52	70012	4
20	9057162	Spindel, venstre	Knuckle, L. RR	36136	1
21	9039670	Bøsning, Ø.B.	Collar, RR, knuckle (upper)	70692	2
22	9039671	Bøsning, N.B.	Collar, RR, knuckle (lower)	70693	2
23	9039468	Bolt, Ø.	Bolt, knuckle (upper)	70694	2
24	9039469	Bolt, N.	Bolt, knuckle (lower)	70695	2
25	9039662	Baghjulsleje	Bearing, AU0712	70674	2
26	9039518	Låsering, Ø58	Circlip, Ø58	70055	2
29	9057163	Fjeder f/stabilisator	Spring, RR, stabilizer	35385	1
31B	9057165	Holder f/stabilisator bøsning (ny model)	Holder, stabilizer bush (new model)	35523	2
32A	9057166	Bøsning for stabilisator (ny model)	Bush, RR, stabilizer (new model)	72018	2
33	9050231	Bolt, M8x20	Bolt, M8x20	10081	4
34	9039673	Bolt f/stabilisator	Link, RR stabilizer	70699	2
35	9031005	Møtrik, M10x1,25	Nut, M10x1,25	10015	18
36	9039663	Pakdåse t/baghj. 61,5x43x11	Seal, 61,5x43x11	70675	2
37	9039664	Pakdåse t/baghj. 58x41x11	Seal, 58x41x11	70676	2
38	9049397	Skærm f/bærearmlag, venstre	Arm protect, L	70977	1
39	9049396	Skærm f/bærearmlag, højre	Arm protect, R	70976	1
40	9033898	Bolt, M5x12	Bolt, M5x12	10001	6
41	9057167	Beslag	Bracket	72019	2
42	9057169	Spindel, højre	Knuckle, R. RR	36135	1
43	N/A	Holder højre f/bremsebragte	REAR RIGHT DISC BRAKE WIRE NAIL	27797	1
44	N/A	Holder venstre f/bremsebragte	REAR LEFT DISC BRAKE WIRE NAIL	27798	1
45	N/A	Møtrik M16	NUT M16X16	10183B	4

Fig. 8: Forhjul / front wheel

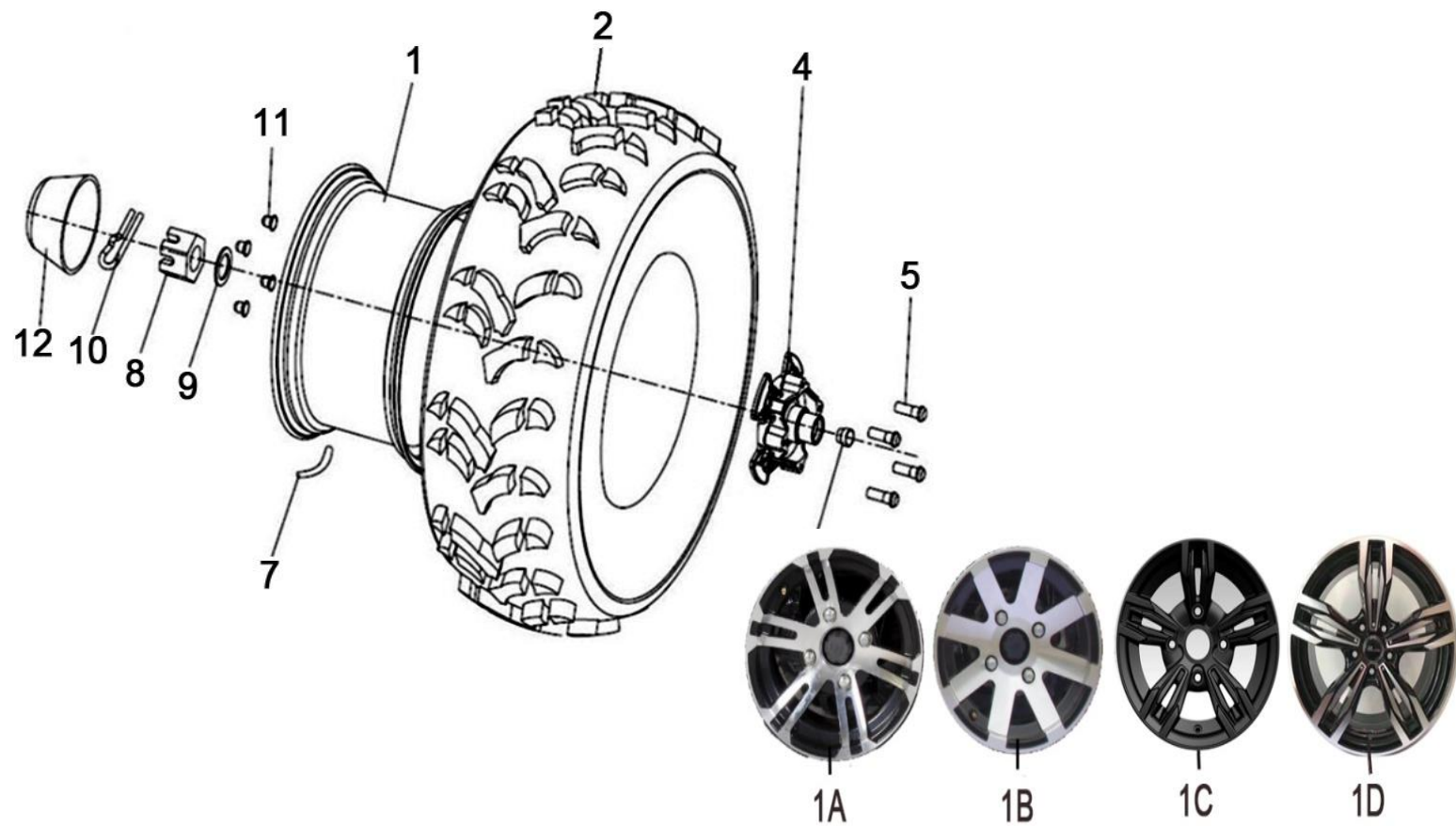


Fig. 8: Forhjul / front wheel

Ref. no.	PL nr / art. no.	Varenavn	Art. name	OE no.	Antal / pcs
1A	9057170	Fælg forhjul alu sølv/sort	ASSY, FR(ALUMINIUM) (FRANCE)	35508	2
1B	9050398	Fælg forhjul alu sølv/sort	WHEEL SUB-ASSY, FR(ALUMINIUM)	35723	2
1C	N/A	Fælg	ASSY, FR(IRON) (FRANCE) (SIMPLE)	36154	2
1D	9063248	Fælg	WHEEL SUB-ASSY, FR	35881	2
2	N/A	Fordæk 25x8-12	TIRE FRONT AT25X8-12 47F (WANDA) (E4-75R-0008830)	27615	2
2	9063249	Fordæk 25x8-12	TIRE FRONT AT25X8-12 (DURO P350 SPEED CATEGORY:F) (Options)	38184	2
2	N/A	Fordæk 25x8-12	TIRE FRONT AT25X8-12 (DURO P350 SPEED CATEGORY:J) (Options)	38185	2
2	N/A	Fordæk 25x8-12	TIRE FRONT AT25X8-12 (WANDA P350 SPEED CATEGORY:F) (Options)	38186	2
2	N/A	Fordæk 25x8-12	TIRE FRONT AT25X8-12 (WANDA P350 SPEED CATEGORY:J) (Options)	38187	2
2	9057171	Fordæk 25x8-12		35509	2
4	9039409	Forhjulsnav	Hub assy	27285	2
5	9039472	Hjulbolt, M12x1,25	Bolt, M12x1,25	70714	16
6	9039474	Tætningsprop	Bolt, slotted	70718	2
7	9029813	Ventil, slangeløs	Valve, rim	20807	4
8	9039476	Kronemøtrik	Bolt, slotted	70721	4
9	N/A	Skive	Washer	70722	2
10	9034985	Splitpind	Pin, 4x32	26267	2
11	9049611	Hjulmøtrik, M12x1,25	Nut, wheel	27411	8
12	N/A	Navkapsel	Cap, wheel sub-assy	36162	2

Fig. 9: Baghjul / rear wheel

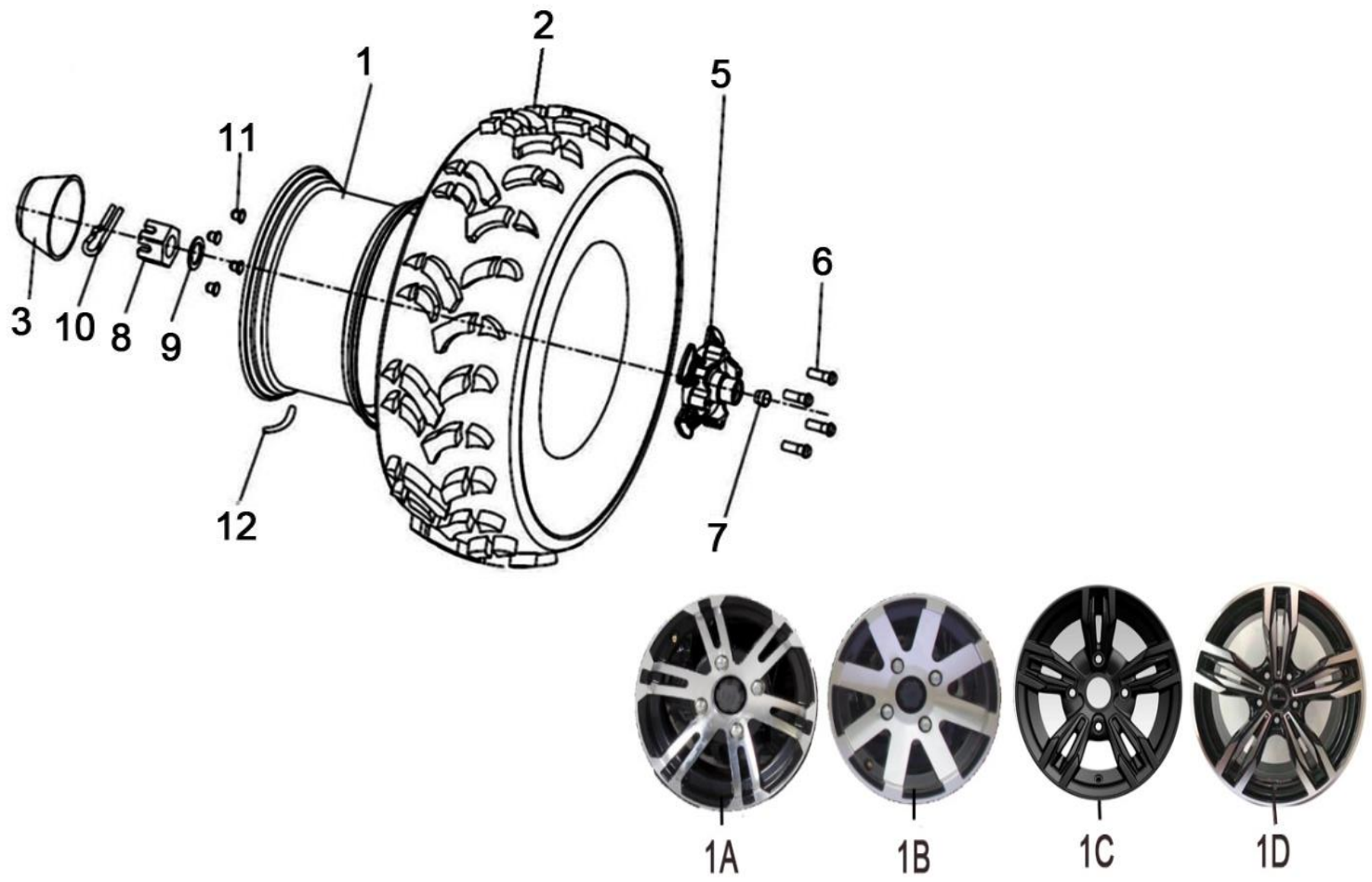


Fig. 9: Baghjul / rear wheel

Ref. no.	PL nr / art. no.	Varenavn	Art. name	OE no.	Antal / pcs
1A	9057172	Fælg alu baghjul sølv/sort	WHEEL SUB-ASSY, RR (ALUMINIUM) (FRANCE) (Options)	35510	2
1B	9050399	Fælg alu baghjul sølv/sort	WHEEL SUB-ASSY, RR (ALUMINIUM) (Options)	35717	2
1C		Fælg alu baghjul sølv	WHEEL SUB-ASSY, RR (ALUMINIUM) (Options)	36155	2
1D	9063250	Fælg baghjul	WHEEL SUB-ASSY, RR	35882	2
2	N/A	Bagdæk 25x10-12	TIRE, RR AT25X10-12 65F (WANDA) (E4- 75R-0008831)	27618	2
2	9063251	Bagdæk 25x10-12	TIRE, RR AT25X10-12 (DURO P350 SPEED CATEGORY:F) (Options)	38188	2
2	N/A		TIRE, RR AT25X10-12 (DURO P350 SPEED CATEGORY:J) (Options)	38189	2
2	N/A		TIRE, RR AT25X10-12 (WANDA P350 SPEED CATEGORY:F) (Options)	38190	2
2	N/A		TIRE, RR AT25X10-12 (WANDA P350 SPEED CATEGORY:J) (Options)	38191	2
2	9057173	Bagdæk, AT25x10-12 50J	Tire, RR AT25X10-12 50J	35511	2
3A	9039473	Navkapsel, plast	Cap, wheel center	70717	2
3B	N/A	Navkapsel	CAP, WHEEL SUB-ASSY	36162	2
5	9039475	Baghjulsnav	HUB, RR WHEEL	70719	2
6	9039472	Bolt, M12x1,25	Bolt, M12x1,25	70714	16
7	9039474	Tætningsprop	Seal	70718	4
8	9039476	Kronemøtrik	Bolt, slotted	70721	2
9	N/A	Skive	Washer	70722	2
10	9034985	Splitpind	Pin, 4x32	26267	2
11	9049611	Hjulmøtrik, M12x1,25	Nut, wheel	27411	8
12	9029813	Ventil, slangeløs	Valve, rim	20807	4

Fig. 10: Skifttestang / shift rod

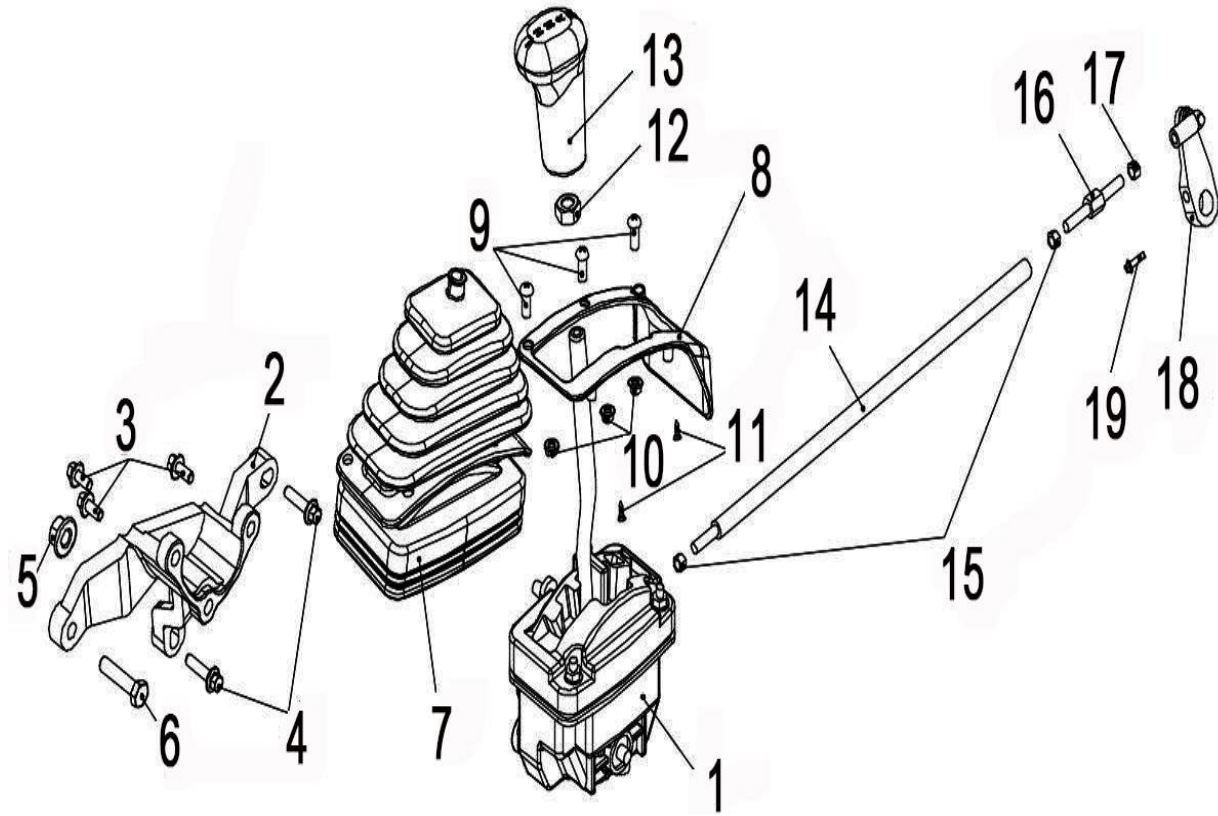


Fig. 10: Skifttestang / shift rod

Ref. no.	PL nr / art. no.	Varenavn	Art. name	OE no.	Antal / pcs
1	9063252	Gearvælger	SHIFTER ASSY MOUNTING	35883	1
2	N/A	Gearvælger beslag	SHIFTER MOUNTING BRACKET	35884	1
3	9050231	Bolt M8x20	BOLT M8X20	10783	3
4	9050233	Bolt M8x40	BOLT M8X40	11045	2
5	9050207	Møtrik M8	NUT M8	11442	1
6	9050236	Bolt M8x70	BOLT M8X70	11070	1
7	N/A	Gummibælg/støvmanchet	SHIFT DUST JACKET	35885	1
8	N/A	Ramme f/gummibælg	SHIFT COVER PLATE	35886	1
9	N/A	Skrue M6x18	CROSS RECESS PAN HEAD SCREW M6X18	11582	3
10	9050206	Møtrik M6	NUT M6	11192	3
11	N/A	Selvskærende skrue	SCREW ST4.8X12	11222	2
12	9050209	Møtrik M12	NUT M12X1.75	10592	1
13	N/A	Gearknop	THE SHIFTING HANDLE	35887	1
14	N/A	Gearskift forbindelsesstang	SHIFTER MOUNTING ROD	35888	1
15	9050206	Møtrik M6	NUT M6	10090	2
16	N/A	Justeringsled	TIE ROD 2	36451	1
17	N/A	Møtrik M6 links-gevind	NUT LEFT-HANDED M6	10090L	1
18	N/A	Gearskiftearm "gearkasse"	SHIFT ROCKER ARM COMPONENTS	35889	1
19	N/A	Bolt M6x1x25	BOLT M6X1x25	11539	1

Fig. 11a Forreste og bagerste differentiale/Front & rear gearbox T3

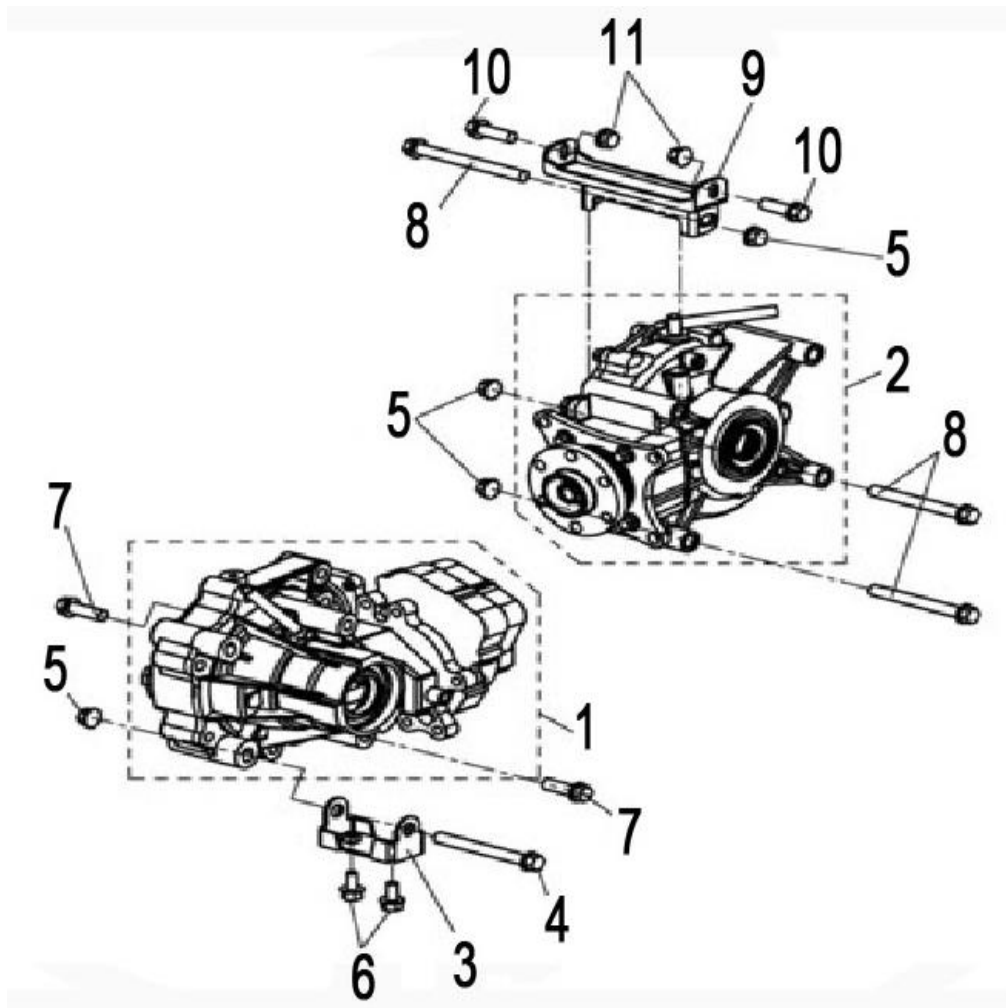


Fig. 11b: Gearkasse, front og bag / front and rear gearbox. Landevej/road.

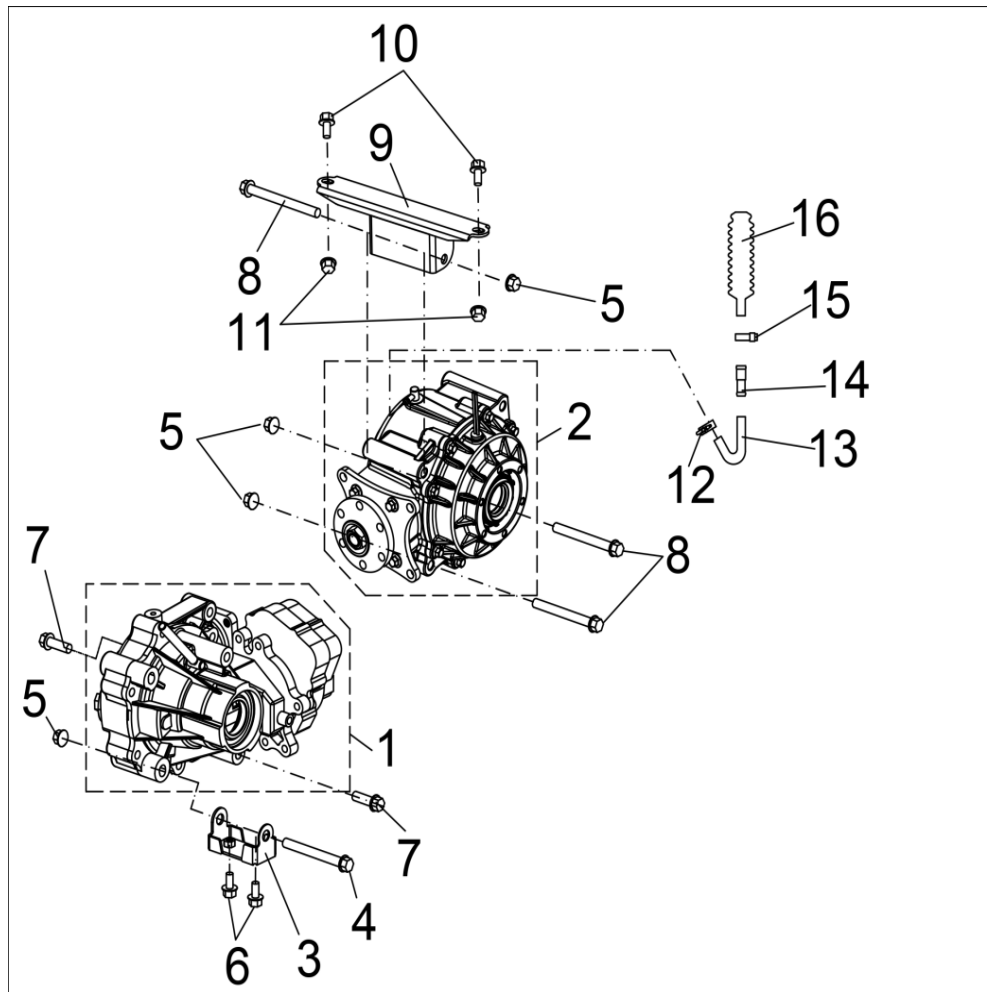


Fig. 11b: Gearkasse, front og bag / front and rear gearbox. Landevej/road

Ref. no.	PL nr / art. no.	Varenavn	Art. name	OE no.	Antal / pcs
1	N/A	Differentiale forrest komplet	FRONT GEAR-BOX ASSY	47162	1
2	N/A	Differentiale bagerst komplet	REAR GEAR-BOX ASSY	35780	1
3	N/A	Beslag t/gearkasse (front)	Bracket, front gear box assy	35500	1
4	9050247	Bolt, M10x1,25x90	Bolt, M10x1,25x90	10924	1
5	9031005	Møtrik, M10x1,25	Nut, M10x1,25	10015	4
6	9034535	Bolt M8x1,25x16/12	BOLT M8X1.25X16/12	10168	2
7	N/A	Bolt M10x25x1,25	BOLT M10X1.25x25	11071	2
8	N/A	Bolt M10x1,25x110	BOLT M10X1.25X110	10925	3
9	N/A	Beslag t/gearkasse (bag)	BRACKET, REAR GEAR-BOX ASSY	35917	1
10	9050231	Bolt M8x1,25x20	BOLT M8X1.25X20	11072	2
11	9050207	Møtrik M8	NUT M8X1.25	10079	4
12	N/A	Spændebånd	CLAMPS	25107	1
13	9033871	Udlufterslange	VENT PIPE	21111	1
14	N/A	Slangenippel	Balloon Connector	35918	1
15	9035462	Kabelbinder	Cable Tie	48294	1
16	N/A	Udlufter-ballon	Breathing Balloon	35919	1

Fig. 12: Venstre drivaksel, front (4WD) / front left drive axle (4WD)

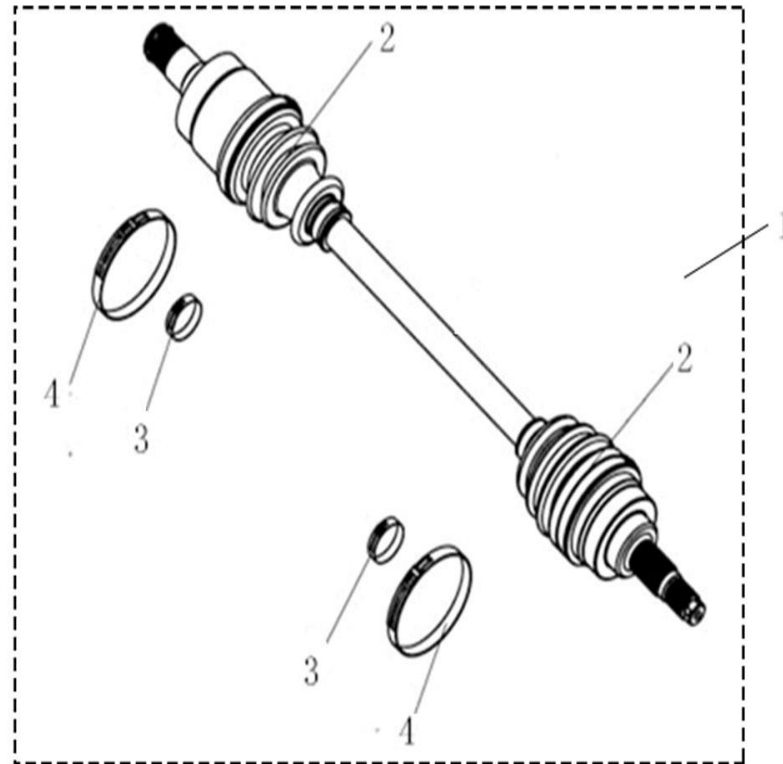


Fig. 12: Venstre drivaksel, front (4WD) / front left drive axle (4WD)

Ref. no.	PL nr / art. no.	Varenavn	Art. name	OE no.	Antal / pcs
1	9057180	Drivaksel komplet venstre front	FRONT LEFT DRIVE AXLE	35030	1
2	9066412	Drivakselmanchet	OUTER BOARD BOOT	35038	2
3	N/A	Spændebånd A lille	BOOT BAND A	35037	2
4	N/A	Spændebånd B stort	BOOT BAND B	35040	2

Fig. 13: Højre drivaksel, front (4WD) / front right drive axle (4WD)

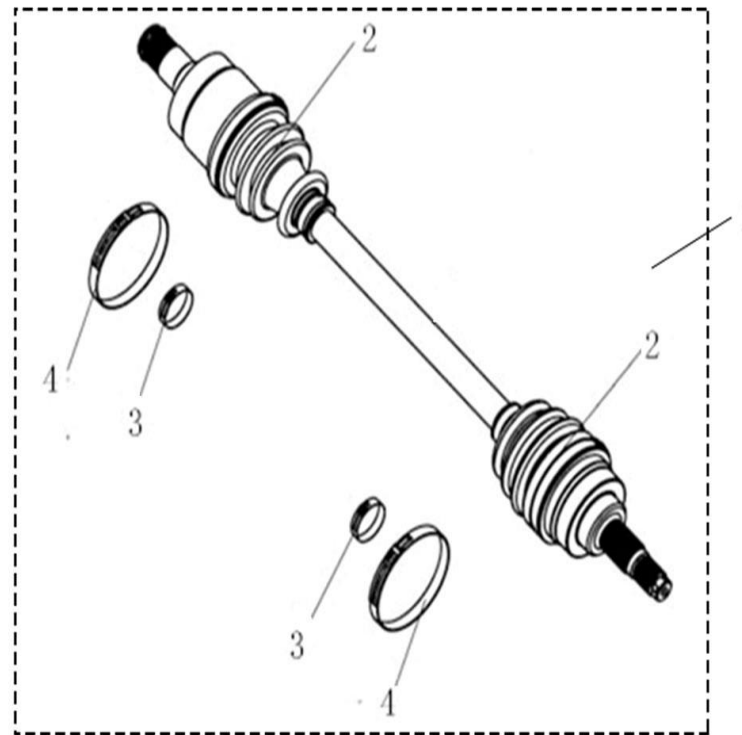


Fig. 13: Højre drivaksel, front (4WD) / front right drive axle (4WD)

Ref. no.	PL nr / art. no.	Varenavn	Art. name	OE no.	Antal / pcs
1	9057181	Drivaksel komplet højre front	FRONT RIGHT DRIVE AXLE	35031	1
2	9066412	Drivakselmanchet	OUTER BOARD BOOT	35038	2
3	N/A	Spændebånd A lille	BOOT BAND A	35037	2
3	N/A	Spændebånd B stort	BOOT BAND B	35040	2

Fig. 14a: Venstre drivaksel, bag (XL) / rear left drive axle (XL)

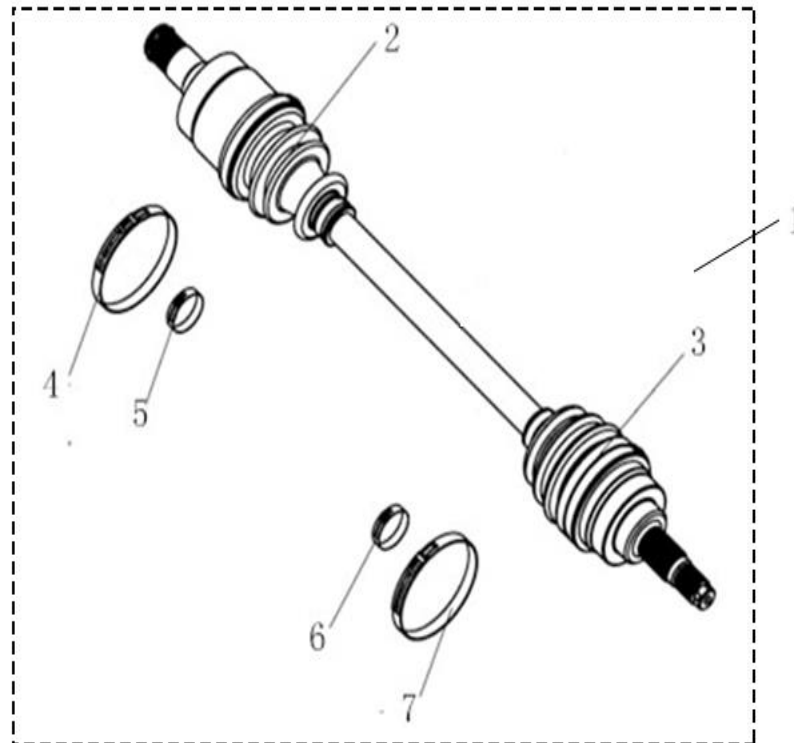


Fig. 14a: Venstre drivaksel, bag (XL) / rear left drive axle (XL)

Ref. no.	PL nr / art. no.	Varenavn	Art. name	OE no.	Antal / pcs
1	9063257	Drivaksel, venstre bag - XL	REAR LEFT DRIVE AXLE (MARK "4AV-25351-10 rear left", MATCH WITH NEW MODEL	36143	1
2	N/A	Manchet indvendig	Inner board boot	36164	1
3	N/A	Manchet udvendig	Outer board boot	36165	1
4	N/A	Spændebånd udvendig stor B	Inner board boot, B	36166	1
5	N/A	Spændebånd indvendig lille A	Inner board boot, A	36167	1
6	N/A	Spændebånd indvendig lille A	Outer board boot, A	36168	1
7	N/A	Spændebånd udvendig stor B	Outer board boot, B	35920	1

Fig 14b: Højre drivaksel, bag (XL) / rear right drive axle (XL)(Match rear diff. W lock)

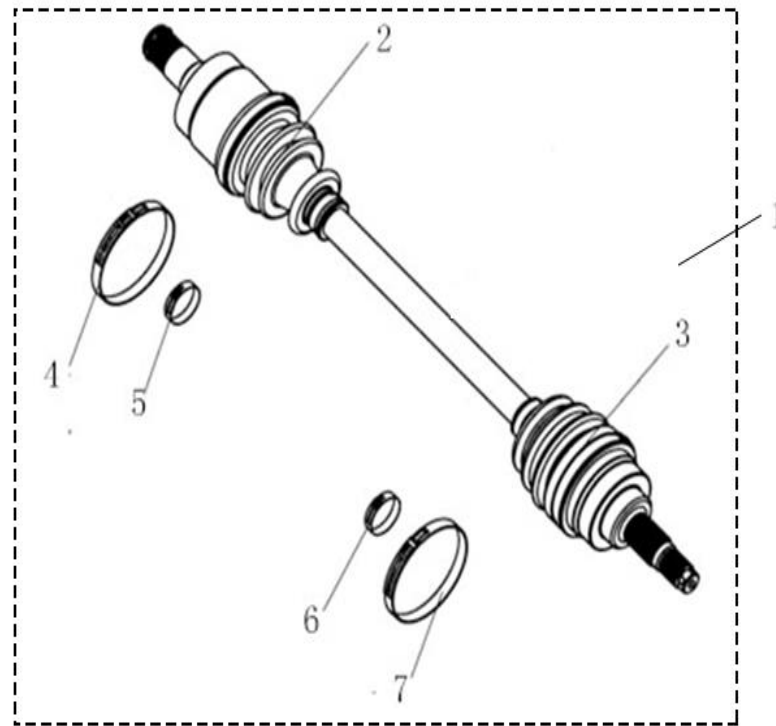


Fig 14b: Højre drivaksel, bag (XL) / rear right drive axle (XL)(match rear diff. W lock)

Ref. no.	PL nr / art. no.	Varenavn	Art. name	OE no.	Antal / pcs
1	N/A	Drivaksel, højre & venstre, bag - XL	REAR LEFT DRIVE AXLE (MARK 4AV-25551-20 rear left" MATCH WITH NEW MODEL	35814	1
2	N/A	Manchet indvendig	Inner board boot	35807	1
3	N/A	Manchet udvendig	Outer board boot	35815	1
4	N/A	Spændebånd udvendig stort B	Inner board boot, B	35808	1
5	N/A	Spændebånd indvendig lille A	Inner board boot, A	35806	1
6	N/A	Spændebånd indvendig lille B	Outer board boot, B	35806	1
7	N/A	Spændebånd udvendig stort B	Outer board boot, A	35808	1

Fig. 15a: Højre bagerst drivaksel XL/Rear drive axel XL.

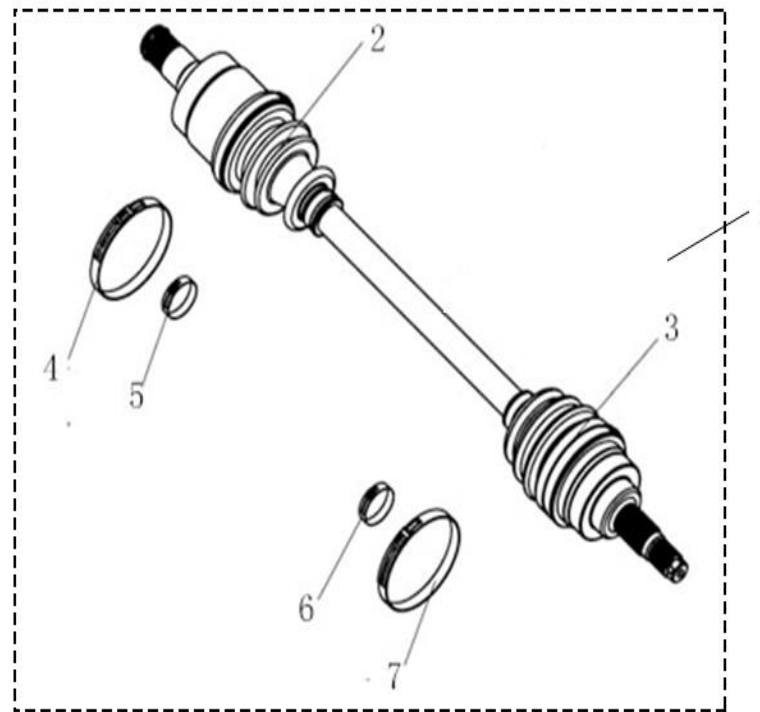


Fig. 15a: Højre bagerste drivaksel XL/Rear drive axel XL.

Ref. no.	PL nr / art. no.	Varenavn	Art. name	OE no.	Antal / pcc
1	9057184	Drivaksel H+V bag XL	REAR RIGHT DRIVE AXLE (VIARK 4AV-2555Z 10 rear right" MATCH WITH NEW MODEL	36144	1
2	N/A	Manchet inderst	INTER BOARD BOOT	36164	1
3	N/A	Manchet yderst	OUTER BOARD BOOT	36165	1
4	N/A	Spændebånd indvendig stort	INTER BOOT BAND B	35808	1
5	N/A	Spændebånd indvendig lille	INTER BOOT BAND A	35806	1
6	N/A	Spændebånd udvendig lille	OUTER BOOT BAND B	35808	1
7	N/A	Spændebånd udvendig stor	OUTER BOOT BAND A	35806	1

Fig. 15b: Højre bagerste drivaksel XL/Rear right drive axel XL (Match Rear dif. W lock)

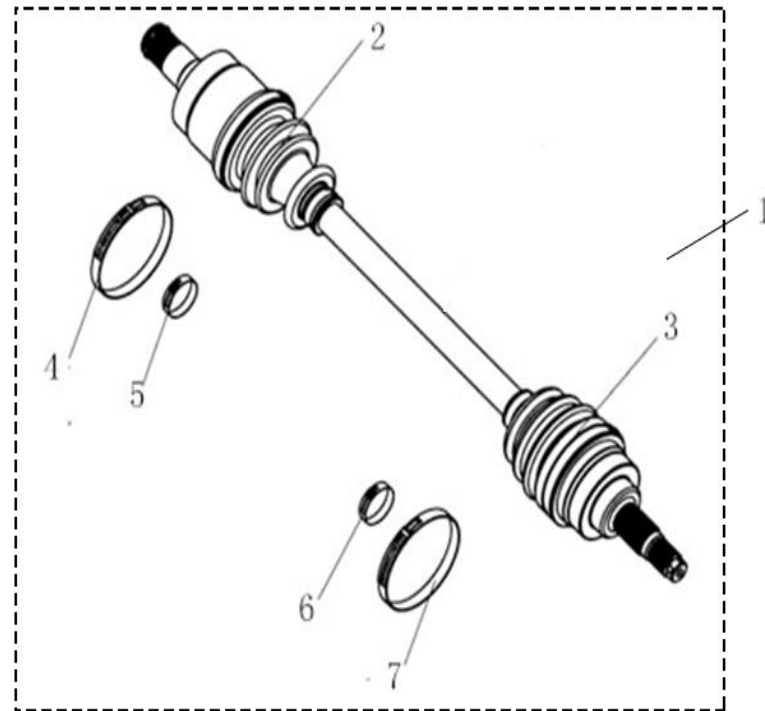


Fig. 15b: Højre bagerste drivaksel XL/Rear right drive axel XL (Match Rear dif. W lock)

Ref. no.	PL nr / art. no.	Varenavn	Art. name	OE no.	Antal / pæ
1	N/A	Drivaksel højre bag XL	REAR RIGHT DRIVE AXLE (MARK 4AV-2535Z 20 rear right") Options	35818	1
2	N/A	Manchet inderst	INTER BOARD BOOT	35807	1
3	N/A	Manchet yderst	OUTER BOARD BOOT	35815	1
4	N/A	Spændebånd inderst stort	INTER BOOT BAND B	35808	1
5	N/A	Spændebånd inderst lille	INTER BOOT BAND A	35806	1
6	N/A	Spændebånd udvendig lille	OUTER BOOT BAND B	35808	1
7	N/A	Spændebånd udvendig stort	OUTER BOOT BAND A	35806	1

Fig. 16: Kardanaksel for/bag. Spindel, front og bag / front and rear knuckle assy

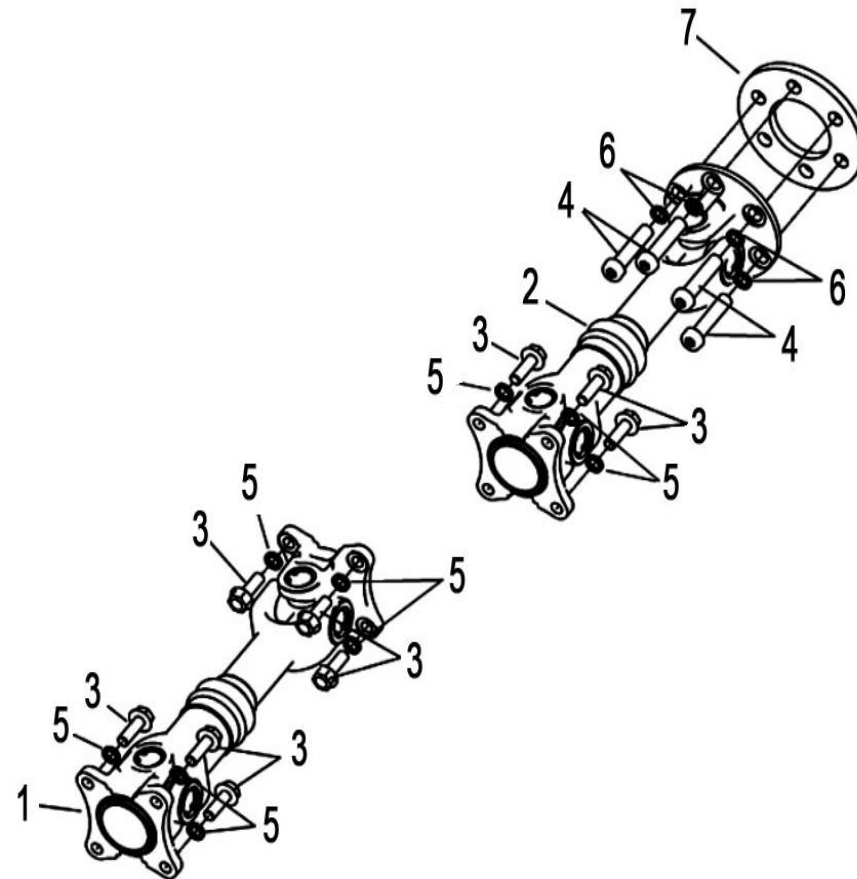


Fig. 16: Kardanaksler for/bag. Spindel, front og bag / front and rear knuckle assy

Ref. no.	PL nr / art. no.	Varenavn	Art. name	OE no.	Antal / pcs
1	9063259	Kardanaksler forrest m/smørenippel	FRONT KNUCKLE (WITH OIL CUP)	36488	1
2	9063260	Kardanaksler bagerst m/smørenippel	REAR KNUCKLE (WITH OIL CUP)	36489	1
2	N/A	Kardanaksler m/smørenippel "alternativ"	REAR KNUCKLE (WITH OIL CUP) Options	38158	1
2	N/A	Bolt M8x1,0x25	BOLT M8X1.0X25	10926	12
3	N/A	Bolt M10x1,25x35	BOLT M10X1.25X32	10927	6
4	N/A	Fjederskive 8	SPRING WASHER 8	10106	12
5	N/A	Fjederskive 10	SPRING WASHER 10	10027	6
6	N/A	Bremseskive parkering	PARKING DISC	36275	1

Fig. 17: Styraksel lodret/Steering column

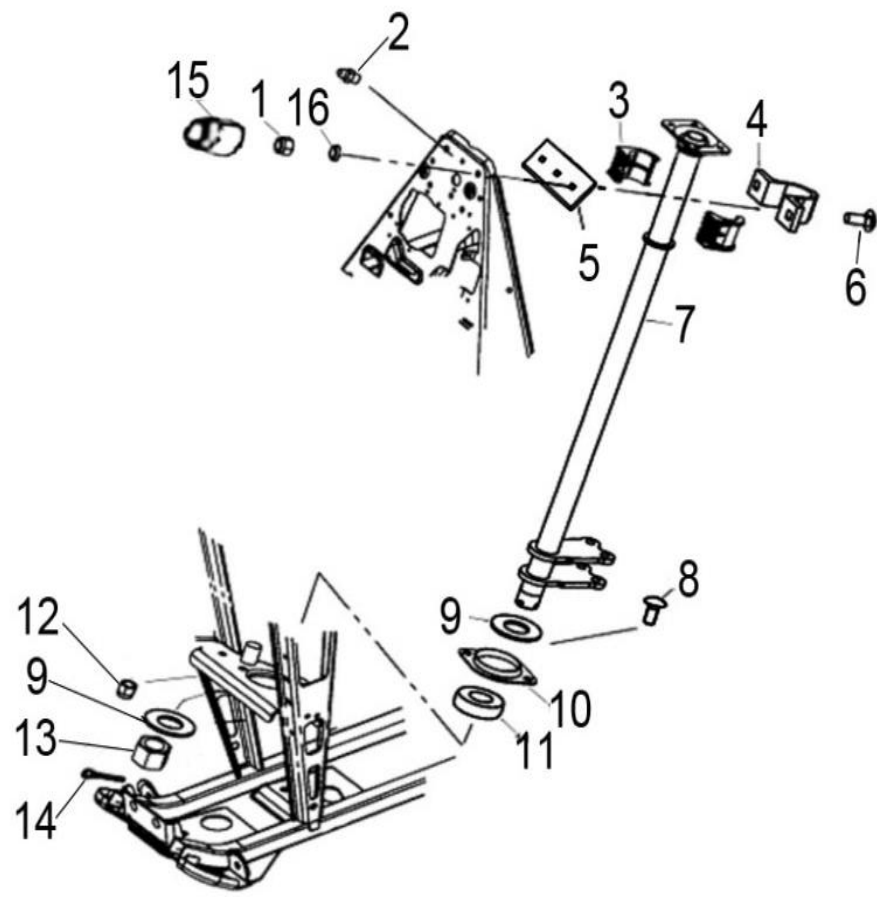


Fig. 17: Styraksel lodret/Steering column

Ref. no.	PL nr / art. no.	Varenavn	Art. name	OE no.	Antal / pcs
1	9050214	Låsemøtrik M8	NUT M8	11145	2
2	9036761	Smørenippel	GREASE FITTING	10026	1
3	9029719	Bøsning	BUSHING	21903	2
4	9036371	U-bøjle	STEERING CLAMP REAR	21904	1
5	9038948	Holdeplade	STEERING CLAMP FRONT	21905	1
6	N/A	Bolt	BOLT	21906	2
7	N/A	Ratstamme	STEERING COLUMN (LENGTHEN THE LIMIT PLATE OF THE TAP LOCK)	35020a	1
8	N/A	Bolt	Bolt	21906	2

Fig. 18: Elektrisk system/Electrical system.

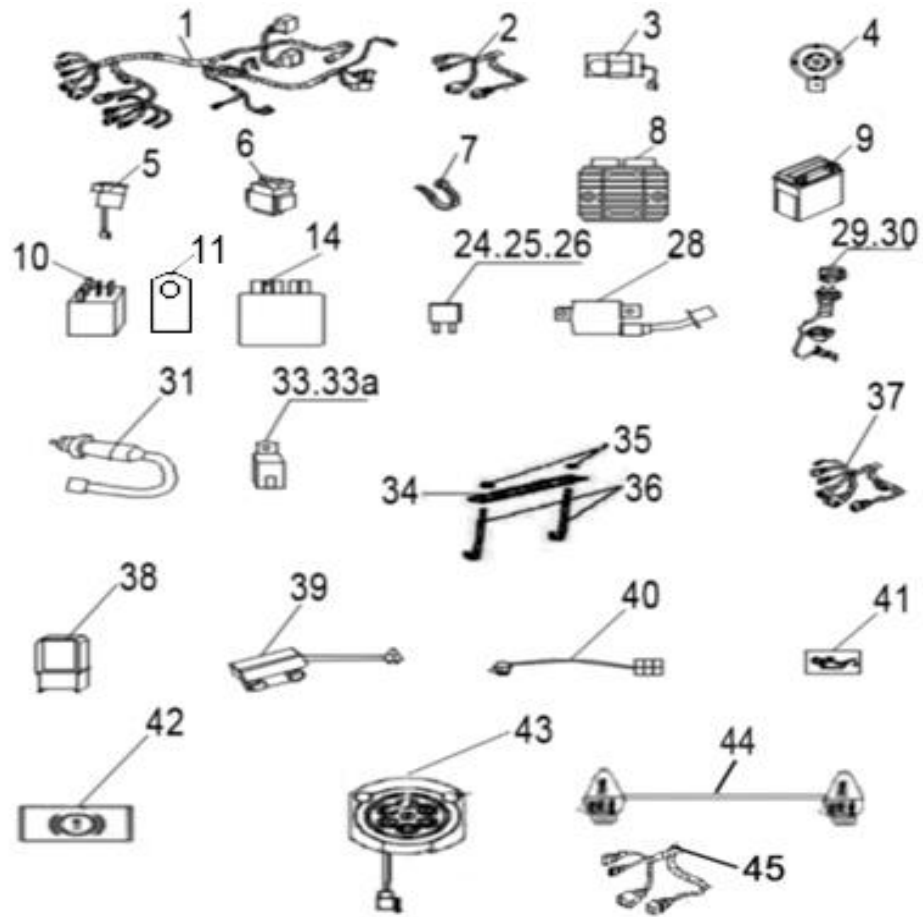


Fig. 18: Elektrisk system/Electrical system.

Ref. no.	PL nr / art. no.	Varenavn	Art. name	OE no.	Antal / pcs
1	9063261	Ledningsnet til T3	WIRING HARNESS (FOR T3)	35890	1
1	N/A	Ledningsnet	WIRING HARNESS	38160	1
2	9063262	Ledningsnet f/forlygter	FRONT LAMP HARNESS	35891	2
2	N/A	Ledningsnet f/forlygter T3	FRONT LAMP HARNESS (FOR T3)	38181	1
2	9063263	Ledningsnet f/forlygter (alternativ EU)	FRONT LAMP HARNESS (OPTION FOR EU)	38182	1
3	9049522	Bakalarm	REVERSE GEAR WARNING	71976	1
4	9049317	Horn	HORN	70404	1
5	9058077	Blinklys relæ	FLASHER RELAY ASSY	26456	1
6	9049388	Start relæ	STARTER RELAY	71602	1
7	9035463	Kabelbinder	TIE	72301	20
8	9049505	Laderelæ	REGULATOR RECTIFIER	71603	1
9	N/A	Batteri 12V 18Ah	BATTERY	70407a	1
9	9058258	Batteri 12V 30Ah "EPS"	BATTERY	71604	1
10	9057195	Hjælperelæ	AUXILIARY RELAY	35083	2
11	N/A	Hjælperelæ	AUXILIARY RELAY	35861	4
14	N/A	ECU	ECU	38000	1
24	9039403	Sikring 5 amp	5 AMP FUSE	22021	1
25	9039402	Sikring 15 amp	15 AMP FUSE	22020	3
26	9037438	Sikring 10 amp	10 AMP FUSE	84273	2
28	9049476	Tændspole	IGNITION COIL AND WIRE	70822D	1
29	9049363	Strømodtag	ACCESSORY SOCKET ASSY	71973	1
30	N/A	USB udgang	USB OUTPUT SOCKET COMBINATION	36120	1
31	9049266	Bremselys kontakt	BRAKE SWITCH (USED FOR WATERPROOF PLUG IN UNIT)	70405a	1
33	9049365	Relæ	START RELAY (CONTROL FAN)	50280	1
33a	9057196	Relæ blæser (model 2018)	START RELAY (NEW) (CONTROL HIGH BEAM AND DIPPED BEAM)	35656	3
34	N/A	Holder f/batteri	BATTERY CLAMP	36057	1

Fortsættes..

Fig. 19: Bremsesystem/Braking system

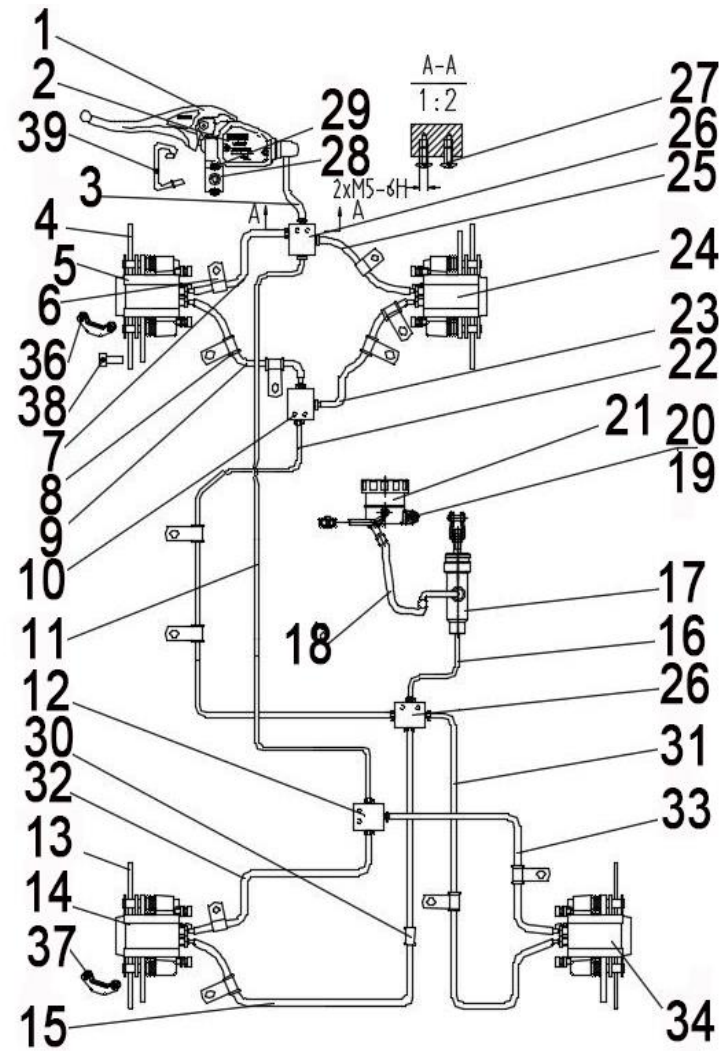


Fig. 19: Bremsesystem/Braking system

Ref. no.	PL nr / art. no.	Varenavn	Art. name	OE no.	Antal / pcs
1	9029827	Bremsehåndtag løst	BRAKE LEVER	2211120	1
2	9039413	Hovedcylinder "styr"	MASTER CYLINDER WITH BRAKE LEVER	27320	1
3	9029683	Bremseslange håndbremse	HAND BRAKE HOSE	22102	1
4	9039644	Bremseskive for H+V	FRONT BRAKE DISC	27321	2
5	9057198	Bremsekaliber forrest venstre	BRAKE CALIPER LEFT, FRONT	27409	1
6	N/A	Bremserørsholder	CLAMP	32104	2
7	9029689	Bremseslange venstre front	FRONT BRAKE HOSE 2	22229	1
8	9034418	Gummikrave/undelæg	RUBBER TUBE1	32105	3
9	9057199	Bremseslange front	FRONT BRAKE HOSE 1	27313	1
10	9029672	Bremse T-stykke	BRAKE LINE COUPLER	32107	1
11	N/A	Bremseslange for til bag	TUBE DISKBRAKE REAR	35879	1
12	9029672	Bremse T-stykke	BRAKE LINE COUPLER	32107	1
13	9039637	Bremseskive bag H+V	REAR BRAKE DISC	70537	2
14	9039634	Bremsekaliber bag venstre	BRAKE CALIPER LEFT, REAR	70520	1
15	9061534	Bremseslange bag	REAR BRAKE HOSE 2	35070	1
16	N/A	Bremseslange bag	REAR BRAKE HOSE 3	36418	1
17	N/A	Bremsehovedcylinder fodpedal	FOOT BRAKE CYLINDER	35786	1
18	N/A	Fødeslange bremsevæske	RESERVOIR HOSE	27379	1
19	9031901	Møtrik M5	NUT M5	11563	1
20	N/A	Bolt M5x12	BOLT M5X12	11046	1
21	N/A	Bremsevæskebeholder	RESERVOIR	25299	1
22	N/A	Bremseslange fra fodbremse	TUBE DISKBRAKE, FOOT BRAKE	36420	1
23	9029682	Bremseslange for H+V	FRONT BRAKE HOSE2	32233	1
24	9057203	Bremsekaliber for højre	BRAKE CALIPER RIGHT	27410	1
25	9039628	Bremseslange for	FRONT BRAKE HOSE3	70483	1
26	9049330	4-vejs samler bremserør	FOUR LINE COUPLER	70548	1
27	N/A	Bolt M5x15	BOLT M5X15	10111	4
28	N/A	Bolt M6x22	BOLT M6X22	27283	2
29	N/A	Lukkeprop	CAP	27277	1
30	N/A	Beskytter gummi	RUBBER SHEATH	35534	5

Fortsættes

Fig. 19b: Bremsesystem t/fast bagtøj/Braking system (match rear diff . With lock)

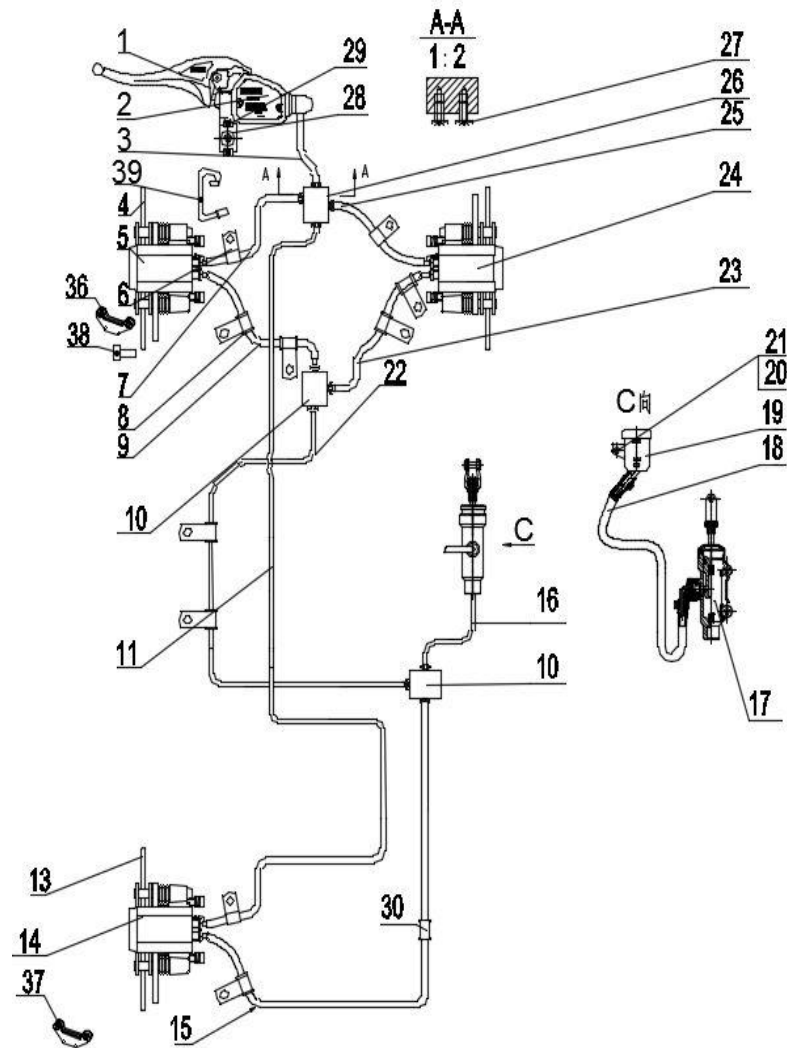


Fig. 19b: Bremsesystem t/fast bagtøj/Braking system (match rear diff . With lock)

Ref. no.	PL nr / art. no.	Varenavn	Art. name	OE no.	Antal / pcs
1	9029827	Bremsehåndtag løst	BRAKE LEVER	2211120	1
2	9039413	Hovedcylinder "styr"	MASTER CYLINDER WITH BRAKE LEVER	27320	1
3	9029683	Bremseslange håndbremse	HAND BRAKE HOSE	22102	1
4	9039644	Bremseskive for H+V	FRONT BRAKE DISC	27321	2
5	9057198	Bremsekaliber forrest venstre	BRAKE CALIPER LEFT, FRONT	27409	1
6	N/A	Bremserørsholder	CLAMP	32104	2
7	9029689	Bremseslange venstre front	FRONT BRAKE HOSE 2	22229	1
8	9034418	Gummikrave/undelæg	RUBBER TUBE1	32105	3
9	9057199	Bremseslange front	FRONT BRAKE HOSE 1	27313	1
10	9029672	Bremse T-stykke	BRAKE LINE COUPLER	32107	1
11	N/A	Bremseslange for til bag	TUBE DISKBRAKE REAR	35879	1
13	9039637	Bremseskive bag	REAR BRAKE DISC	70537	1
14	9039634	Bremsekaliber bag venstre	BRAKE CALIPER LEFT, REAR	70520	1
15	9061534	Bremseslange bag	REAR BRAKE HOSE 2	35070	1
16	N/A	Bremseslange bag	REAR BRAKE HOSE 3	36418	1
17	9039440	Hovedcylinder fodpedal	FOOT BRAKE CYLINDER	27378	1
18	N/A	Slange for bremsevæske	RESERVOIR HOSE	36270	1
19	N/A	Bremsevæskebeholder	RESERVOIR	37787	1
20	9031901	Møtrik M5	NUT M5	11563	1
21	N/A	Bolt M5x12	BOLT M5X12	11046	1
22	N/A	Bremseslange	TUBE DISKBRAKE, FOOT BRAKE	36420	1
23	9029682	Bremseslange	FRONT BRAKE HOSE2	32233	1
24	9057203	Bremsekaliber for højre	BRAKE CALIPER RIGHT	27410	1
25	9039628	Bremseslange for højre	FRONT BRAKE HOSE3	70483	1
26	9049330	4-vejs samler f/bremserør	FOUR LINE COUPLER	70548	2
27	N/A	Bolt M5x15	BOLT M5X15	10111	4
28	N/A	Bolt M6x22	BOLT M6X22	27283	2
29	N/A	Dæksel/prop	CAP	27277	1
30	N/A	Gummibeskytter	RUBBER SHEATH	35534	5
35	N/A	Reparationssæt	SERVICE KIT	35711	1
36	9029926	Bremseklodser sæt forrest	INSIDE AND OUTSIDE PAD , FRONT	22245	2
37	9029926	Bremseklods sæt bag	INSIDE AND OUTSIDE PAD, REAR	22245	1
38	9050231	Bolt M8x20	BOLT M8X20	11201	12
39	9029722	Stoplyskontakt/bremselyskontakt	STORP SWITCH FRONT	22243	1

Fig. 20: Parkeringsbremse/Auxiliary brake

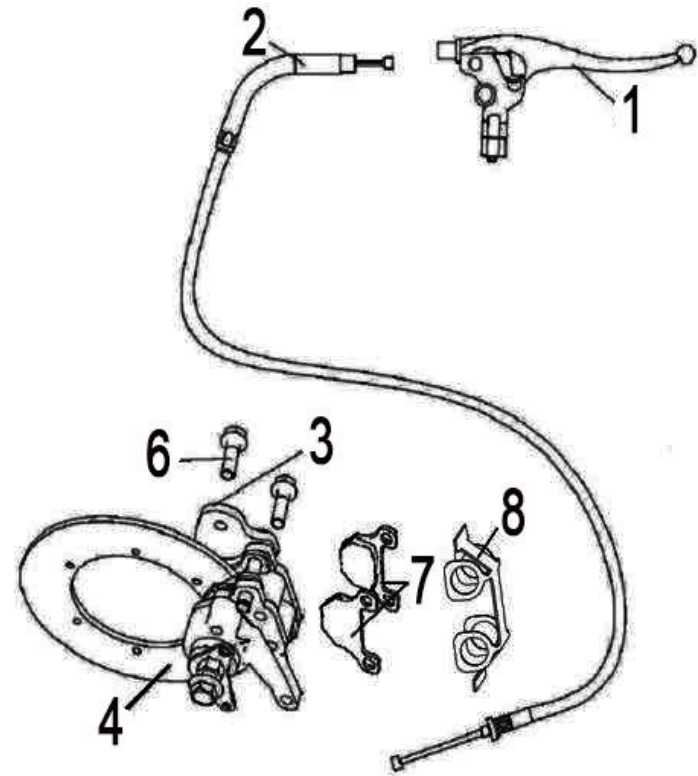


Fig. 21: Fodbremsepedal/Pedal, brake

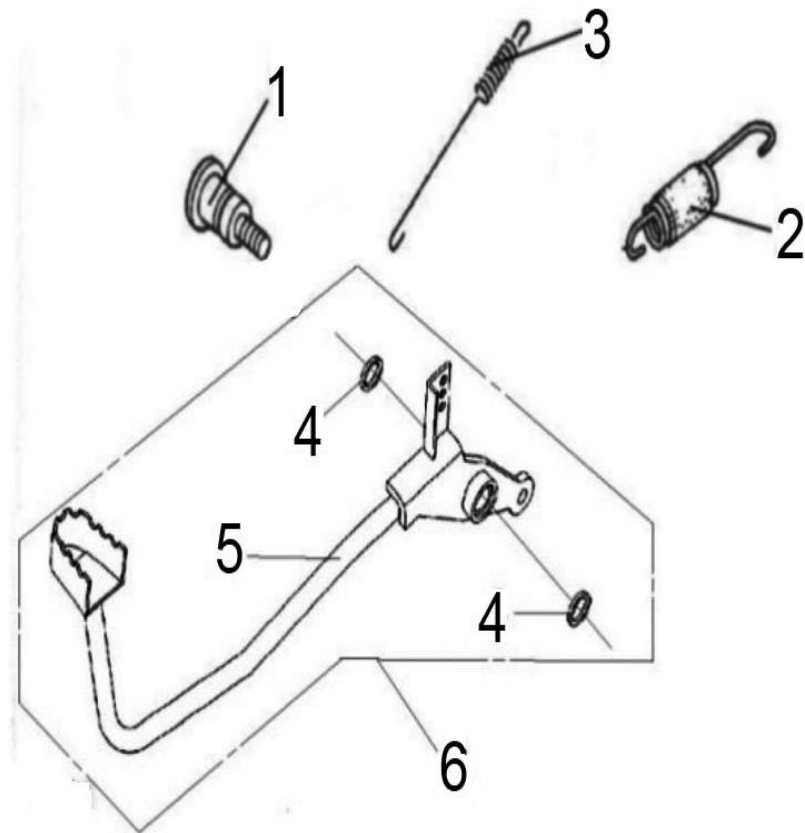


Fig. 22: Kofanger & bagagebærer/Bumper and rack

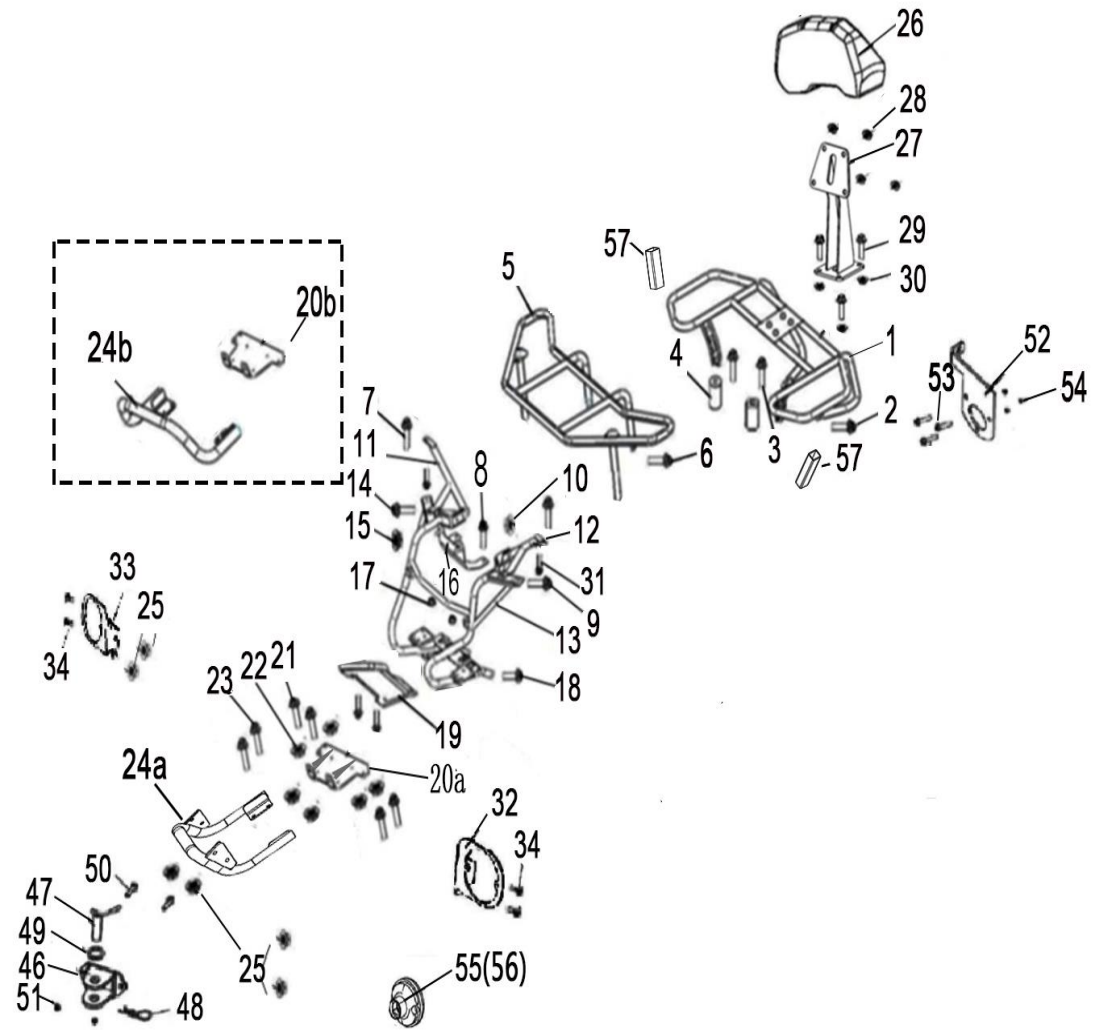


Fig. 22: Kofanger & bagagebærer/Bumper and rack

Ref. no.	PL nr / art. no.	Varenavn	Art. name	OE no.	Antal / pcs
1	9057485	Bagagebærer bag	REAR RACK	36084	1
2	N/A	Bolt M825	BOLTM8X25	10059	4
3	N/A	Bolt M8x55	BOLTM8X55	29506	2
4	9057486	Mellemstykke	REAR RACK MOUNTING SPACER	36085	2
5	9057487	Bagagebærer front	FRONT RACK	36093	1
6	9050231	Bolt M8x20	BOLT M8X20	10081	2
7	N/A	Bolt M8x25	BOLT M8X25	10059	2
8	9050231	Bolt M8x20	BOLT M8X20	10081	2
9	9064744	Bolt M8x45	BOLT M8X45	10055	4
10	9050207	Møtrik M8	NUT M8	10079	4
11	9057488	Y-rør højre	RIGHT Y SHAPED SUPPORT TUBE	36112	1
12	9057489	Y-rør venstre	LEFT Y SHAPED SUPPORT TUBE	36111	1
13	N/A	Frontramme	FRONT PART SUPPORT ASSEMBLY	72292	1
14	N/A	Bolt M8X25	BOLT M8X25	10059	2
15	9050207	Møtrik M8	NUT M8	10079	2
16	N/A	Holder f/ekspansionsbeholder	MOUNTING PLATE ON WATER TANK	36051	1
17	N/A	Gummiunderlæg	SUPPORTING RUBBER RING UNDER WATER TANK	36054	2
18	9050231	Bolt M8x20	BOLT M8X20	10081	2
19	N/A	Bundplade front	FRONT BOTTOM GUARD	36113	1
20	N/A	Forstærkningsplade	FRONT HOOK MOUNTING PLATE	38200	1
20b	N/A	Beslag f/træk	BRACKET, PULLING (WITH TRACTOR ASSY Options)	36119	1
21	9050231	Bolt M8x20	BOLT M8X20	10081	4
22	9050207	Møtrik M8	NUT M8	10079	4
23	9050231	Bolt M8x20	BOLT M8X20	10081	4
24a	N/A	Forkofanger T3	FRONT BUMPER (T3 CERTIFIED)	36307	1
24b	9057491	Forkofanger	FRONT BUMPER (Options)	36118	1
25	9050207	Møtrik M8	NUT M8	11455	4

26	9058055	Rygstøtte pude	BACKREST	35383	1
27	9057217	Rygstøtte beslag	REAR BACKREST WELD ASSEMBLY	35384	1
28	9050207	Møtrik M8	NUT M8	10919	4
29	N/A	Bolt M8x25	BOLT M8X25	10059	4
30	9050207	Møtrik M8	NUT M8	11455	4
31	9050221	Bolt M6x20	BOLT M6X20	10110	2
32	N/A	Holder f/ekstra blinklys venstre	FRONT INDICATOR LIGHT BRACKET, L (T3 CERTIFIED)	36308	1
33	N/A	Holder f/ekstra blinklys højre	FRONT INDICATOR LIGHT BRACKET, R (T3 CERTIFIED)	36309	1
34	9050220	Bolt M6x16	BOLT M6X16	11452	4
46	N/A	Træk	FOTMER DRAG HOOKS	84234	1
47	N/A	Træknagle	EX REACTION PINS	84235	1
48	N/A	Hårnålesplit	R TYPE SPLIT PINS 6X115	10862	1
49	9058067	Gummiunderlæg	CUSHION RUBBER, FOTMER DRAG HOOKS	84231	1
50	9050259	Bolt M16x40	SCREW M16X42	10934	2
51	9050210	Møtrik mM16	NUT M16	10874	2
52	N/A	Anhængerstik holder	BRACKET, OUTPUT SOCKET	71070	1
53	N/A	Skrue M6x38	SCREW M6X38	10935	3
54	9050206	Møtrik M6	NUT M6	11454	3
55	9050383	Blinklys	FRONT INDICATOR LIGHT, L	83365	1
56	9050388	Blinklys	FRONT INDICATOR LIGHT, R	83364	1
57	N/A	Gummiunderlæg	RUBBER COVER FOR REAR SHELF	35880	2

Fortsættes

Fig. 23: Elektrisk servostyring/EPS

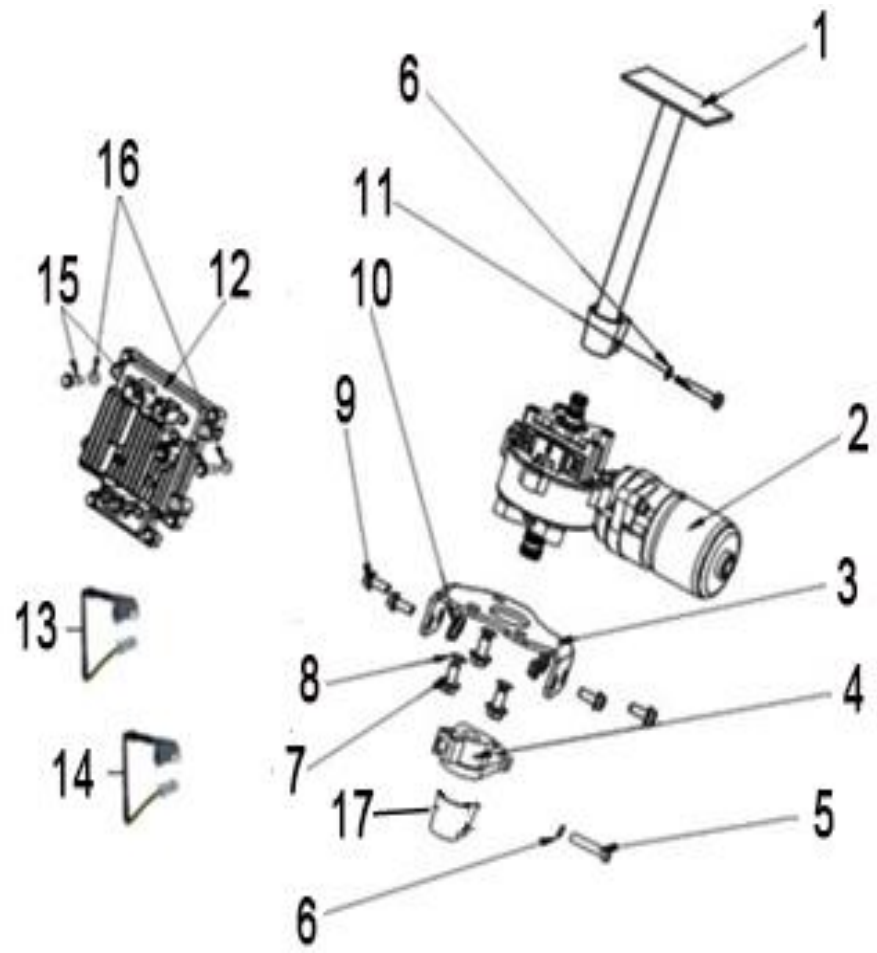


Fig.23: Elektrisk servostyring/EPS

Ref. no.	PL nr / art. no.	Varenavn	Art. name	OE no.	Antal / pcs
1	N/A	Styraksel (servo)	UPPER STEERING COLUMN	36254	1
2	9063268	EPS styrmotor	EPS ASSY.	36255	1
3	N/A	Monteringsplade "EPS"	PLATE EPS ASSY.	36256	1
4	N/A	Styraksel nedre	LOWER STEERING COLUMN	36257	1
5	9050233	Bolt M8x40	BOLT M8X40	11045	1
6	9050202	Planskive 8mm	WASHER 8	10106	4
7	N/A	Bolt M10x1,5x20	BOLT M10X1.5X20	11020	3
8	9050203	Planskive 10mm	WASHER 10	11021	3
9	9050231	Bolt M8x20	BOLT M8X20	10783	4
10	9050207	Møtrik M8	NUT M8	10882	4
11	N/A	Bolt M8x35	BOLT M8X35	11030	2
12	9063269	Styreboks EPS	EPS CONTROLLER	36258	1
13	9063270	Ledningsnet EPS	EPS POWER WIRE	36287	1
14	9063271	Ledningsnet signal ledning EPS	EPS SIGNALING LINE	36259	1
15	9050222	Bolt M6x30	BOLT M6X30	11496	2
16	9050201	Planskive 6mm	WASHER 6	11019	2
17	N/A	Lejehus	BALL BEARING MOUNTING NUT	36271	1

Fig.24: Motorophæng/engine Assy.

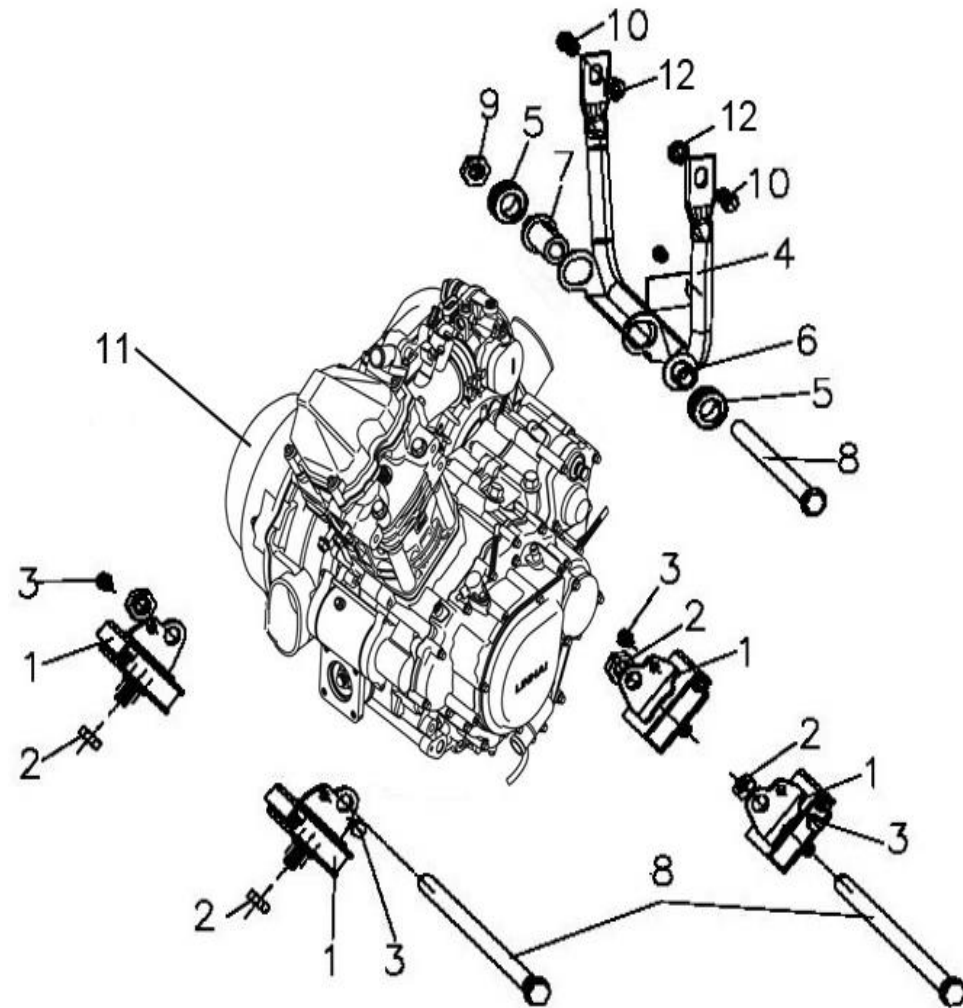


Fig. 24: Motorophæng/Engine Assy

Ref. no.	PL nr / art. no.	Varenavn	Art. name	OE no.	Antal / pcs
1	9057218	Bøsning t/motorbeslag	BUSHING ENGING BRACKET	35503	4
2	N/A	Møtrik M10x1,25	NUT M10X1.25	10015a	4
3	9050220	Bolt M6x16	BOLT M6X16	10928	4
4	N/A	Forreste motorophæng	FRONT ENGINE MOUNT BRACKET	35892	1
5	N/A	Gummibøsning	RUBBER BUSHING	35893	2
6	N/A	Afstandsøsning	SPACER 1	35894	1
7	N/A	Afstandsøsning	SPACER 2	35895	1
8	N/A	Møtrik M12x1,25	NUT M12X1.25	10136	3
9	9050230	Bolt M8x16	BOLT M8X16	10183	2
10	N/A	Bolt M12x1,25x175	BOLT M12X1.25X175	35896	3
11	N/A	Motor komplet	ENGINE ASSY.	38001	1
12	N/A	Møtrik M8x1,25	NUT M8X1.25	10079	2

Fig. 25: Forreste differenziale/Front gear-box

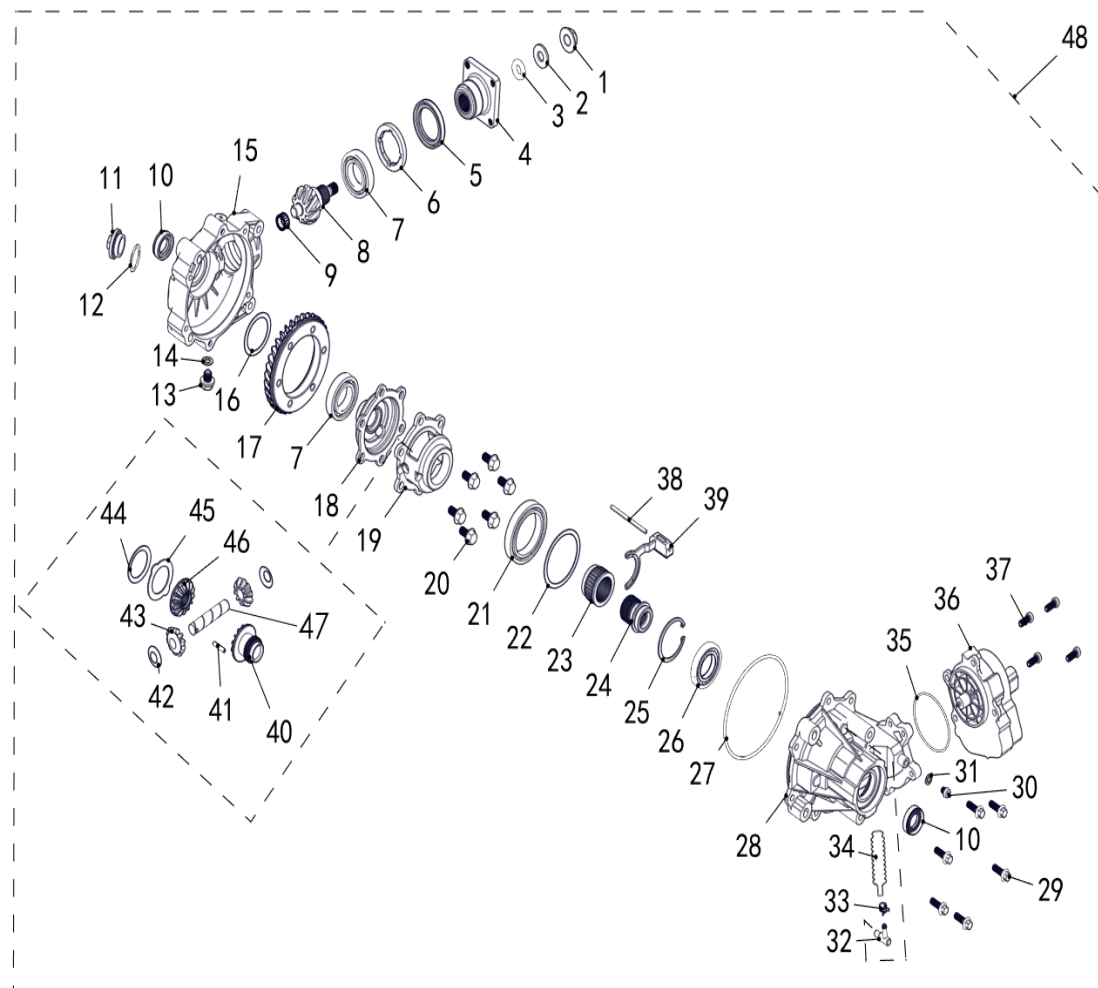


Fig. 25: Forreste differentiale/ Front gear-box

Ref. no.	PL nr / art. no.	Varenavn	Art. name	OE no.	Antal / pcs
1	N/A	Møtrik	NUT	26318	1
2	N/A	Skive special	NUT WASHER	26324	1
3	9057237	O-ring	O-RING	35324	1
4	N/A	Kardan flange	COUPLER	26330	1
5	9057235	Pakdåse	OIL SEAL	35423	1
6	N/A	Lejering	BEARING RETAINER	26317	1
7	9057236	Leje 6007	BEARING 6007	35424	2
8	N/A	Spidshjul	BEVEL GEAR -DRIVING	26328	1
9	9057238	Nåleleje	NEEDLE BEARING	35429	1
10	9057231	Pakdåse	OIL SEAL	35410	2
11	9034543	Påfyldningsprop	FILL PLUG	24305	1
12	N/A	O-ring 30,5x3	O-RING Ø30.5x3	50082	1
13	N/A	Bundprop	DRAIN BOLT	73020	1
14	N/A	Paknings skive	WASHER 10	73021	1
15	N/A	Differentiale hus/del	GEAR CASE, FRONT AXLE	26320	1
16	N/A	Juster shim	ADJUST SHIM (61x48)	26323	As
17	N/A	Kronhjul	BEVEL GEAR -DRIVEN	26329	1
18	N/A	Differentiale klokke/halvdel	TOP BRACKET,DIFFERENTIAL GEAR	26334	1
19	N/A	Differentiale klokke/halvdel	BRACKET,DIFFERENTIAL	26332	1
20	N/A	Bolt f/kronhjul	BOLT	26331	6
21	N/A	Leje 61912	BEARING 61912	10959	1
22	N/A	Juster shim	ADJUST SHIM (83x71)	26322	As
23	N/A	Medbringer	DRIVE CLUTCH	26315	1
24	N/A	Skiftemuffe	DRIVE CLUTCH COVER	26315	1
25	9029821	Låsering	RETAINER 62	10047	1
26	N/A	Leje 16007	BEARING 16007	10960	1
27	9057228	O-ring 141x2,4	O-RING Ø141x2.4	35401	1
28	N/A	Differentialehus/halvdel	CASE COVER, FRONT AXLE	26321	1
29	N/A	Bolt	BOLT	10059	6
30	N/A	Skrue	SCREW	11075	1
31	N/A	Skive	WASHER	35162	1
32	N/A	Slangenippel	HOSE FITTING	22914	1
33	N/A	Spændebånd	Clip	22914	1
34	N/A	Udlufts reservoir	Breathing Balloon	35919	1

35	9057225	O-ring 81,2x1,9	O-RING Ø81.2x1.9	35389	1
36	9057224	Gearmotor f/diff.spærre	GEAR MOTOR	35388	1
37	N/A	Skrue	SCREW	35391	4
38	N/A	Stift/pin/aksel	PIN SHAFT	10957	1
39	N/A	Skiftegaffel	SHIFT FORK	26314	1
40	N/A	Solhjul	DRIVE GEAR	35434	1
41	N/A	Aksel	PIN	11076	1
42	N/A	Konisk skive	WEARING RING	26327	2
43	N/A	Solhjul	GEAR (CENTER) , DIFFERENTIAL	35437	2
44	N/A	Skive	WASHER	26325	1
45	N/A	Shim	SHIM	26326	1
46	N/A	Solhjul	DRIVEN GEAR	35440	1
47	N/A	Centeraksel	GEAR SHAFT (CENTER) , DIFFERENTIAL	26333	1
48	N/A	Differentiale forrest komplet	FRONT GEAR-BOX ASSY	47162	1

Fortsættes

Fig. 26a: Bagerste differentiale/Rear gear-box

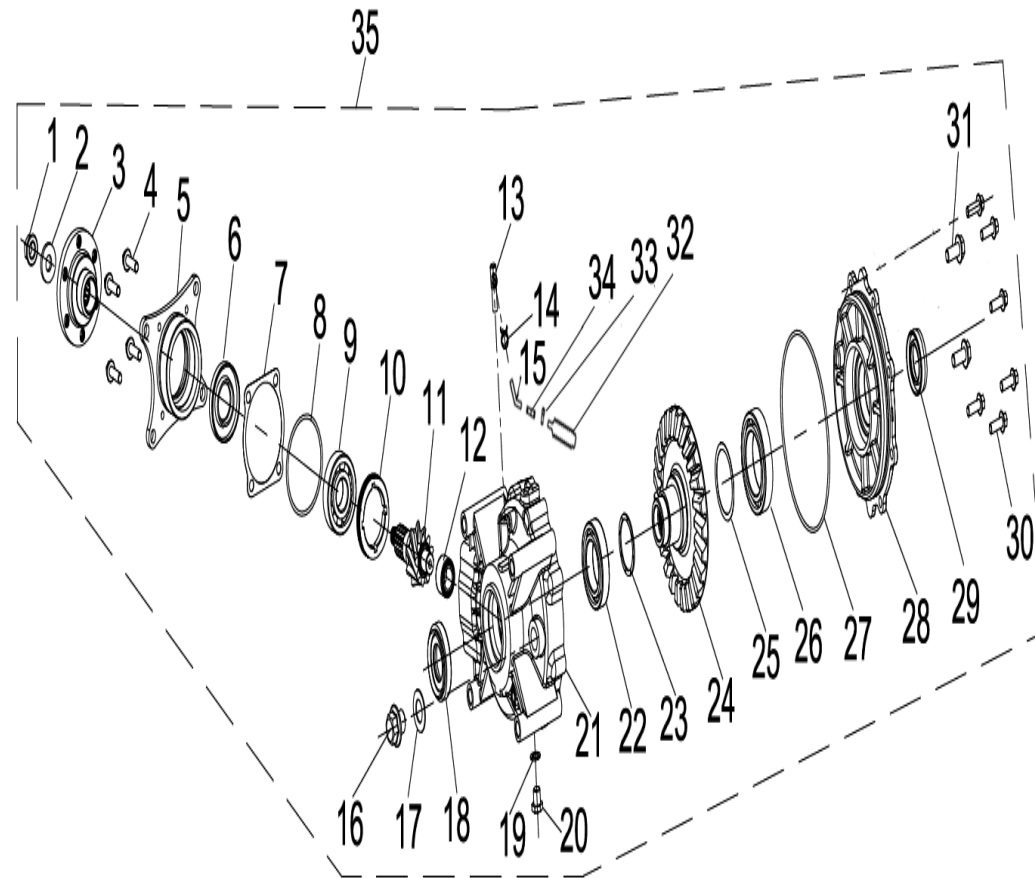


Fig. 26a: Bagerste differentiale/Rear gear-box

Ref. no.	PL nr / art. no.	Varenavn	Art. name	OE no.	Antal / pcs
1	N/A	Møtrik M12x1,25	NUT M12x1.25	35473	1
2	N/A	Skive	WASHER 12.5x30x4	26309	1
3	9057240	Forbindelsesflange f/kardan	COUPLER, REAR AXLE	35474	1
4	9050232	Bolt M8x30	BOLT M8x30	11077	4
5	N/A	Lejehus	BEVEL GEAR BEARING HOUSING	26304	1
6	9057241	Pakdåse 35x61x9	OIL SEAL Φ 35x Φ 61x9	35471	1
7	N/A	Juster shim	ADJUST SHIM	26308	as needed
8	9057242	O-ring 69x3	O-RING69x3	26311	1
9	9038585	Leje 6305	BEARING 6305	35468	1
10	N/A	Låsering	BEARING RETAINERM64x1.5x10	26310	1
11	9057243	Spidshjul	ACTIVE BEVEL GEAR ASSEMBLY	26313	1
12	9057244	Nåleleje	NEEDLE BEARING	35465	1
13	N/A	Udluftningsventil	VENT NOZZLE	21112	1
14	N/A	Spændebånd	CLAMPS	25107	1
15	N/A	Nippel	VENT PIPE	21111	1
16	N/A	Bolt M18x1,25	BOLT M18x1.25	83179	1
17	N/A	Skive M18	WASHER 18	83180	1
18	9057245	Pakdåse 30x60x15	OIL SEAL30x60x15	26303	1
19	N/A	Skive	WASHER	83462	1
20	N/A	Bundprop	HEXAGON HEAD BOLT	83010	1
21	N/A	Differentialehus	REAR GEAR CASE	26312	1
22	9032791	Leje 6008	BEARING 6008	10958	1
23	N/A	Juster shim	ADJUST SHIM48x40.3	26305	AS needed
24	N/A	Kronhjul	DRIVE BEVEL GEAR ASSEMBLY	26307	1
25	N/A	Juster shim	ADJUST SHIM60.5x50.3	26306	AS needed
26	9057247	Leje 6010	BEARING 6010	10569	1
27	9057248	O-ring 151x3	O-RING 151x3	35493	1
28	N/A	Dæksel differentialehus	REAR GEAR BEARING HOUSING	26301	1
29	9057249	Pakdåse 30x50x13,5	OIL SEAL 30x50x13.5	26302	1
30	N/A	Bolt M8x25	BOLT M8x25	11499	6

31	N/A	Bolt M10x25	BOLT M10x25	35463	2
32	N/A	Udluftnings reservoir	Breathing Balloon	35919	1
33	9035462	Kabelbinder	Cable Tie	48294	1
34	N/A	Slangeforbindelse	Balloon Connector	35918	1
35	9063254	Bagtøj komplet	REAR AXLE ASSEMBLY	47163	1

Fortsættes

Fig. 26b: Bagerste differentiale/Rear gear-box

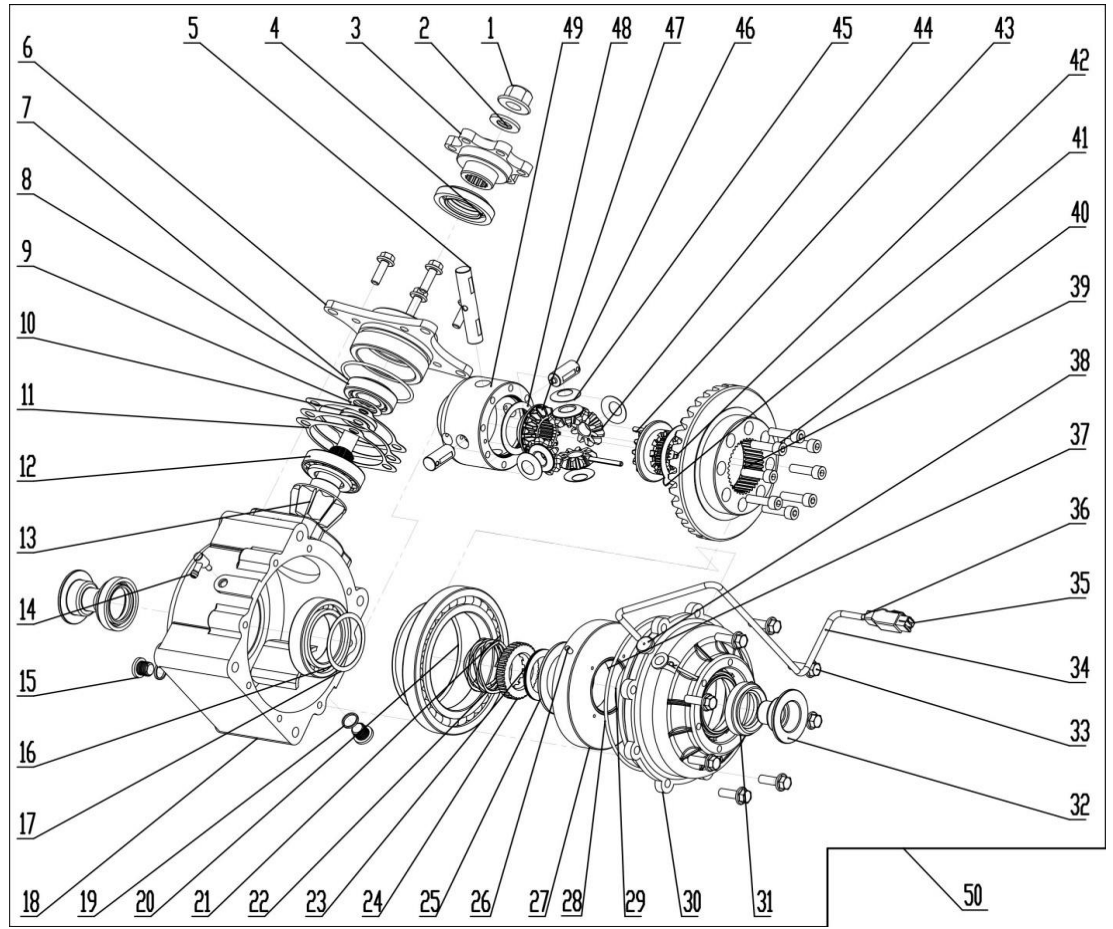


Fig. 26b: Bagerste differentiale/Rear diff gear-box

Ref. no.	PL nr / art. no.	Varenavn	Art. name	OE no.	Antal / pcs
1	N/A	Flangemøtrik M16x1,5	FLANGE NUT M16X1.5	11010	1
2	N/A	Låseskive M16	PAD M16	11011	1
3	N/A	Forbindelsesflange f/kardan	ENTER THE CONNECTION PLATE	36213	1
4	N/A	Pakdåse 34,5x61,9x13,5	SEAL 34.5-61-9-13.5	36214	1
5	N/A	Aksel f/solhjul	LONG AXIS OF THE PLANET	36215	1
6	N/A	Lejehus	ENTER THE BEARING SEAT-STRAIGHT TEETH	36216	1
7	N/A	O-ring f/lejehus 72x3,2	INPUT SHAFT O-RING 72X3.2	36217	1
8	N/A	Leje 30205	BEARING 30205	11012	1
9	N/A	Justeringspakning 25-35	ADJUSTING GASKET 25-35	36218	1
10	N/A		BEARING SLEEVE	36219	1
11	N/A		ENTER THE BEARING SPACER	36220	1
12	N/A	Leje 30206	BEARING 30206	11013	1
13	N/A	Spidshjul	9-STRAIGHT BEVEL GEAR	38166	1
14	N/A	Udluftning	EXHAUST PIPE	36222	
15	N/A	Påfyldningsprop	OIL HOLE BOLT	36223	1
16	9057247	Leje 6010	BEARING 6010	10569	1
17	N/A	Pakning	DIFFERENTIAL-BEARING GASKET	36224	1
18	N/A	Differentialehus/halvdel	REAR AXLE HOUSING	36225	1
19	N/A	Bundprospakning	OIL DRAIN GASKET	36226	2
20	N/A	Lejjusterings shim	LARGE BEARING-ADJUSTING SHIMS	36227	1
21	N/A	Leje 16020	BEARING 16020	11014	1
22	N/A	Bølgeskive	WAVE SPRINGS	36228	1
23	N/A		FLAT ROLLERS-52	36229	1
24	N/A		CROWN CLUTCH DISC	36230	1
25	N/A		CLUTCH COVER	36231	1
26	N/A		COIL	36232	1
27	N/A	Magnetkobling	ELECTROMAGNETIC CLUTCH HOUSING	36233	1
28	N/A	O-ring 152x3,2	O RINGS 152X3.2	11015	1
29	N/A	Leje16007	BEARING 16007	10960	1
30	N/A	Differentialehus sidedæksel	REAR AXLE BOX COVER	36234	1
31	N/A	Pakdåse 54x35x9	LIP TYPE OIL SEAL 54-35-9	36235	1
32	N/A	Prop for drivaksel	OIL SEAL PLUG	36236	2
33	N/A	Unbracobolte	HEXAGON FLANGE BOLTS	11016	8
34	N/A		FIBERGLASS SLEEVING	36237	1

35	N/A	Stikforbindelse "vandtæt2	WATERPROOF PLUG	36238	1
36	N/A	Ledningsnet "højtemp"	HIGH TEMPERATURE LAED WIRE	36239	1
37	N/A	Bøsning rustfri	STAINLESS STEEL BUSHES	36240	1
38	N/A		RUBBER CORD PLUG	36241	1
39	N/A	Indvendig kronhjul	THE DRIVEN GEAR-STRAIGHT TEETH	38165	1
40	N/A	Unbraco bolt M8x30	HEXAGON BOLTS M8X30	11017	8
41	N/A	Kronhjulsaksel pakning	CROWN AXLE GASKET	36243	1
42	N/A	Kronhjul	END TOOTH BEVEL GEARS	36244	1
43	N/A	Styrestift	OPEN END CYLINDRICAL PIN	11018	2
44	N/A	Planet gear	PLANETARY GEAR	36245	4
45	N/A	Konisk skive	SPHERICAL GASKET	36246	4
46	N/A	Aksel f/solhjul	PLANETS SHORT AXIS	36247	1
47	N/A		HALF AXLE GEAR	36248	1
48	N/A		AXLE SPACERS	36249	1
49	N/A		DIFFERENTIAL CASE	36250	1
50	N/A	Bagerst diffrentiale komplet	REAR GEAR-BOX	38158	1

Motor oversight

Fig. E1 Ventildæksel/head cover

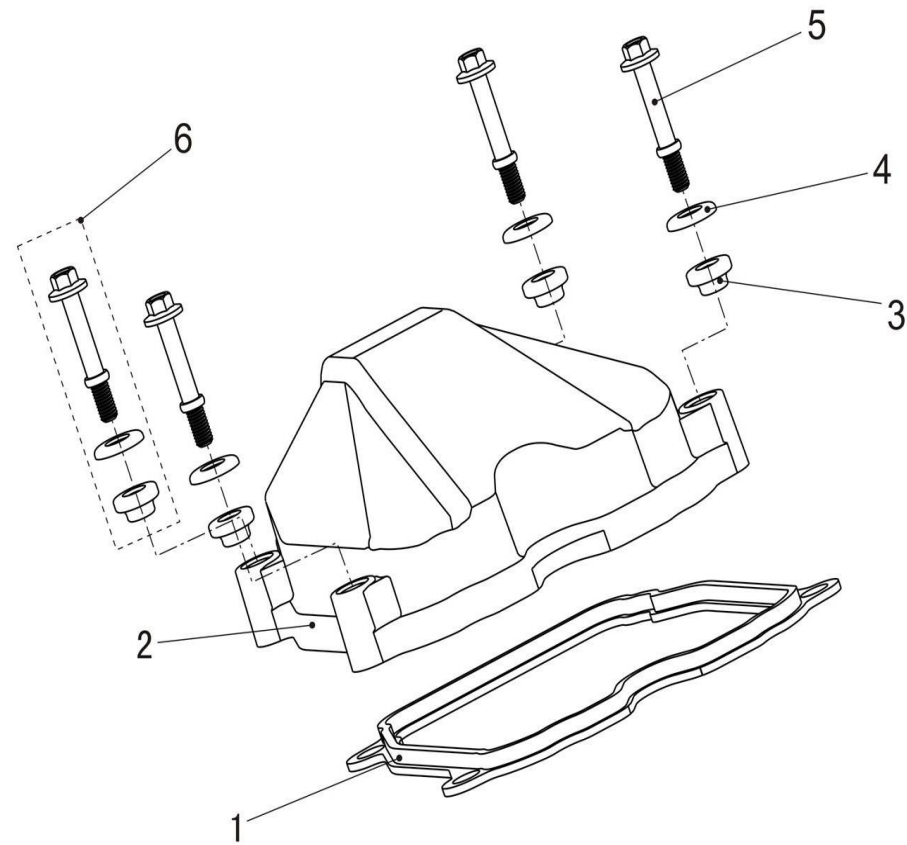


Fig. E2: Topstykke/Cylinder head

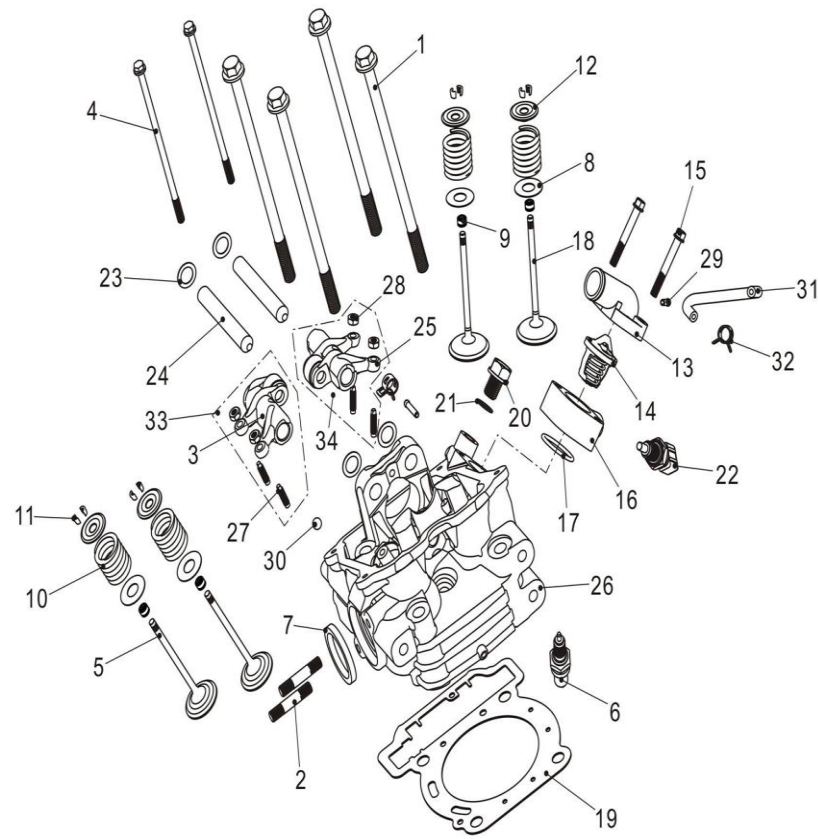


Fig. E2: Topstykke/cylinder head

Ref. no.	PL nr / art. no.	Varenavn	Art. name	OE no.	Antal / pcs
1	N/A	Topstykke bolt	BOLT	72297	4
2	N/A	Stikbolt udstødning M8x42	STUD M8x42	38009	2
3	N/A	Vippearm udstødning	ROCKER ARM , EXHAUST	38010	1
4	N/A	Bolt M6x132	BOLT M6X132	38011	2
5	N/A	Ventil udstødning	VALVE, EXHAUST	38012	2
6	9030273	Tændrør D8EA	SPARK PLUG DPR8EA-9	38167	1
7	9066436	Pakning udstødning	GASKET, EXHAUST PIPE	38013	1
8	N/A	Underlægs skive ventilfjeder	LOWER SEAT, VALVE SPRING	38014	4
9	N/A	Ventilstyrspakdåse/tætning	SEAL RING SET, VALVE STEM	38015	4
10	N/A	Ventilfjeder	SPRING, VALVE	38016	4
11	N/A	Ventillås	LOCK CLIP, VALVE	38017	8
12	N/A	Ventil tallerken	UPPER SEAT, VALVE SPRING	38018	4
13	N/A	Termostatdæksel	THERMOSTAT COVER	38019	1
14	N/A	Termostat	THERMOSTAT	38020	1
15	N/A	Bolt M6x45	BOLT M6x45 TRIVALENT COLOR	11583	2
16	N/A	Termostathus	SEAT, THERMOSTAT	38021	1
17	N/A	O-Ring 28x2,65	O-RING, 28x2.65	11584	1
18	N/A	Ventil indsugning	VALVE, INTAKE	38022	2
19	N/A	Toppakning	GASKET, CYLINDER HEAD	38023	1
20	9057305	Prop M12x1,5	DRAIN BOLT, M12x1.5	50105	1
21	N/A	Pakning 14	WASHER 14	38143	1
22	9057492	Temperaturføler vand	WATER TEMPERATURE SENSOR	35095e	1
23	N/A	Pakning 12,3x18,5x0,5	WASHER 12.3x18.5x0.5	38024	4
24	N/A	Aksel f/vippearm	SHAFT, ROCKER ARM	38025	2
25	N/A	Vippearm indsugning	ROCKER ARM, INTAKE	38026	1
26	N/A	Topstykke	CYLINDER HEAD COMP	38027	1
27	N/A	Ventil justeringsskrue	ADJUST SCREW, VALVE	38028	4
28	N/A	Kontramøtrik f/ventiljustering	ADJUST NUT, VALVE	38029	4
29	N/A	Vandstuds	WATER CONNECTION	35851	1
30	N/A	Kugle 5	FRICITION BALL 5	11585	1

31	N/A	Slange/rør	PIPE, CYLINDER HEAD	35104	1
32	N/A	Låsering 7,5	CLIP 7.5	35109	2
33	9066546	Vippearmssæt udstødning	EXHAUST ROCKER ARM, ASSEMBLY	38030	1
34	9066545	Vippearmssæt ind sugning	INTAKE ROCKER ARM, ASSEMBLY	38031	1

Fortsættes

Fig. E3: Knastaksel/Camshaft

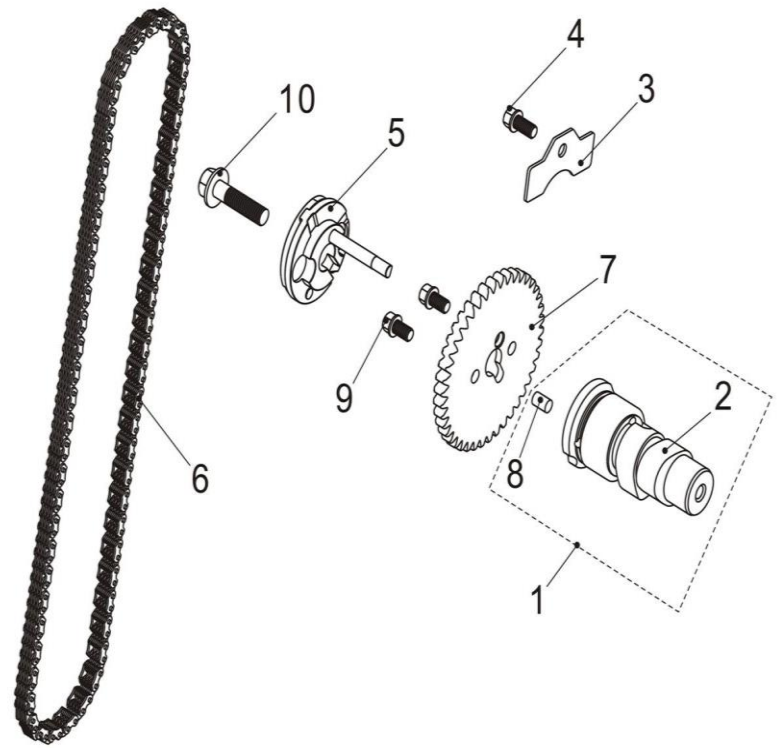


Fig E4: Cylinder/Cylinder

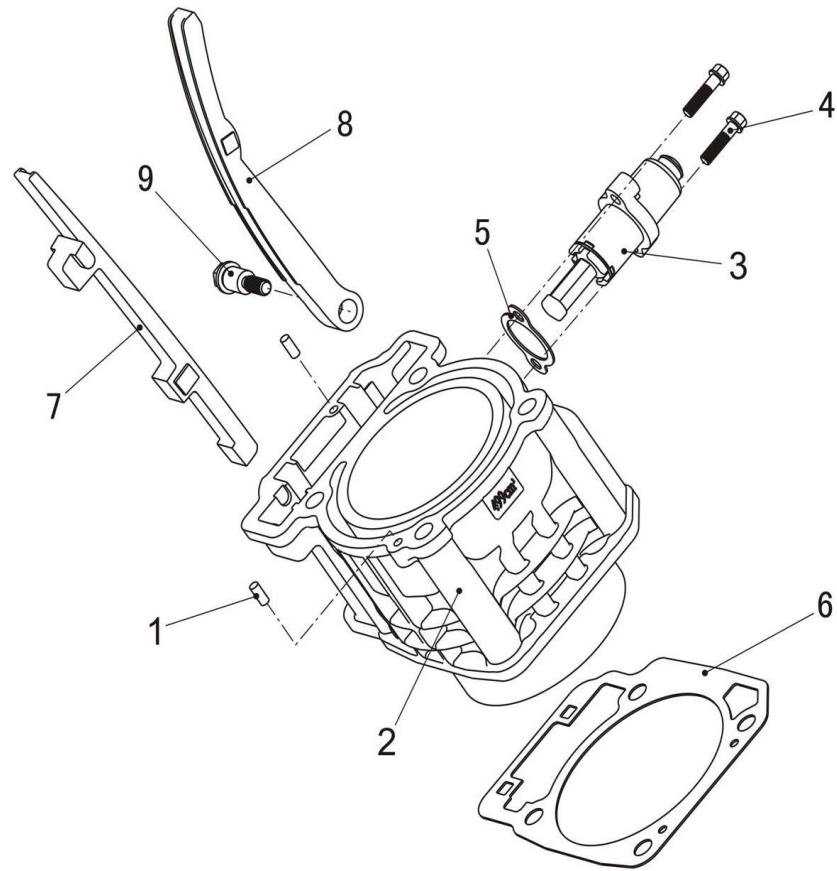


Fig. E5: krumtap/Crankshaft Comp

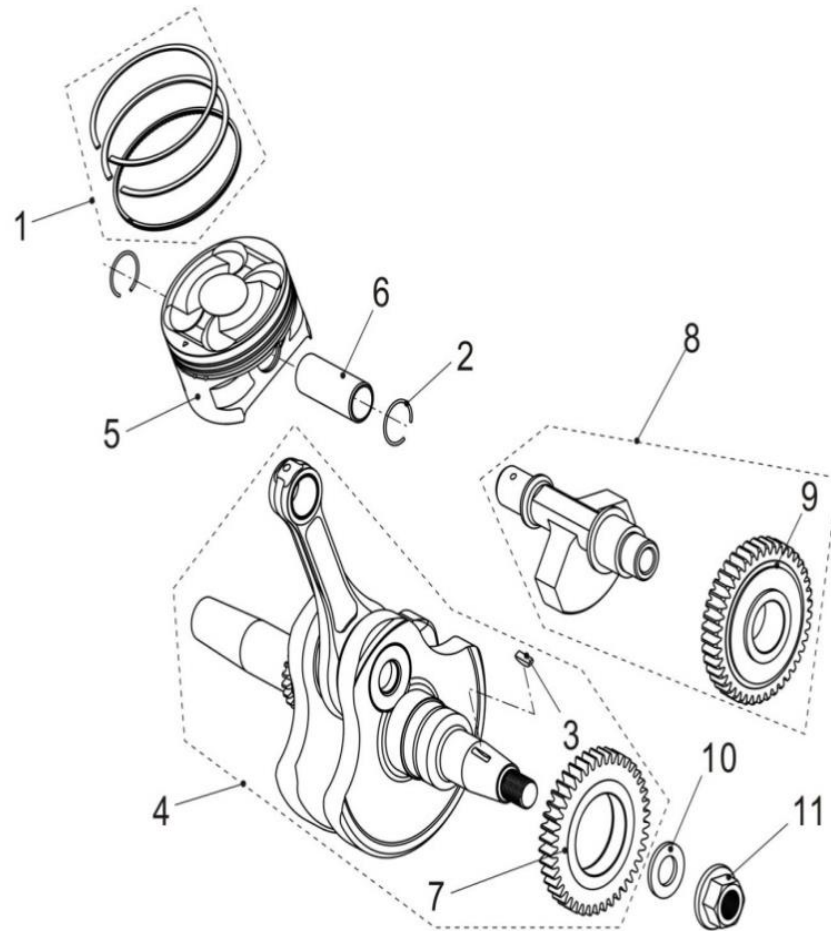


Fig. E5: Krumtap/Chrankshaft Comp

Ref. no.	PL nr / art. no.	Varenavn	Art. name	OE no.	Antal / pcs
1	N/A	Stempelringssæt	PISTON RING ASSY	38047	1
2	N/A	Låsering f/krydspin	CIRCLIP, PISTON PIN	38048	2
3	9057295	Kile	WOODRUFF KEY	35133	1
4	N/A	Krumtap	CRANKSHAFT ASSY	38049	1
5	N/A	Stempel "MK"1 (lille)	PISTON OPTIONAL (small) /Mark I	38050	1
5	N/A	Stempel "MK"2 (stor)	PISTON OPTIONAL (big) /Mark II	38051	1
6	N/A	Krydspin	PISTON PIN	38052	1
7	N/A	Tandhjul "krumtap"	DRIVE GEAR, BALANCER SHAFT	38053	1
8	N/A	Balanceaksel	SHAFT, BALANCER	38055	1
9	N/A	Tandhjul "balanceaksel"	GEAR, BALANCE SHAFT	38055	1
10	N/A	Skive M16,5	WASHER 16.5	71689	1
11	N/A	Møtrik M16x1,5	NUT M16X1.5	71688	1

Fig. E6: Krumtaphus venstre/Left crankcase

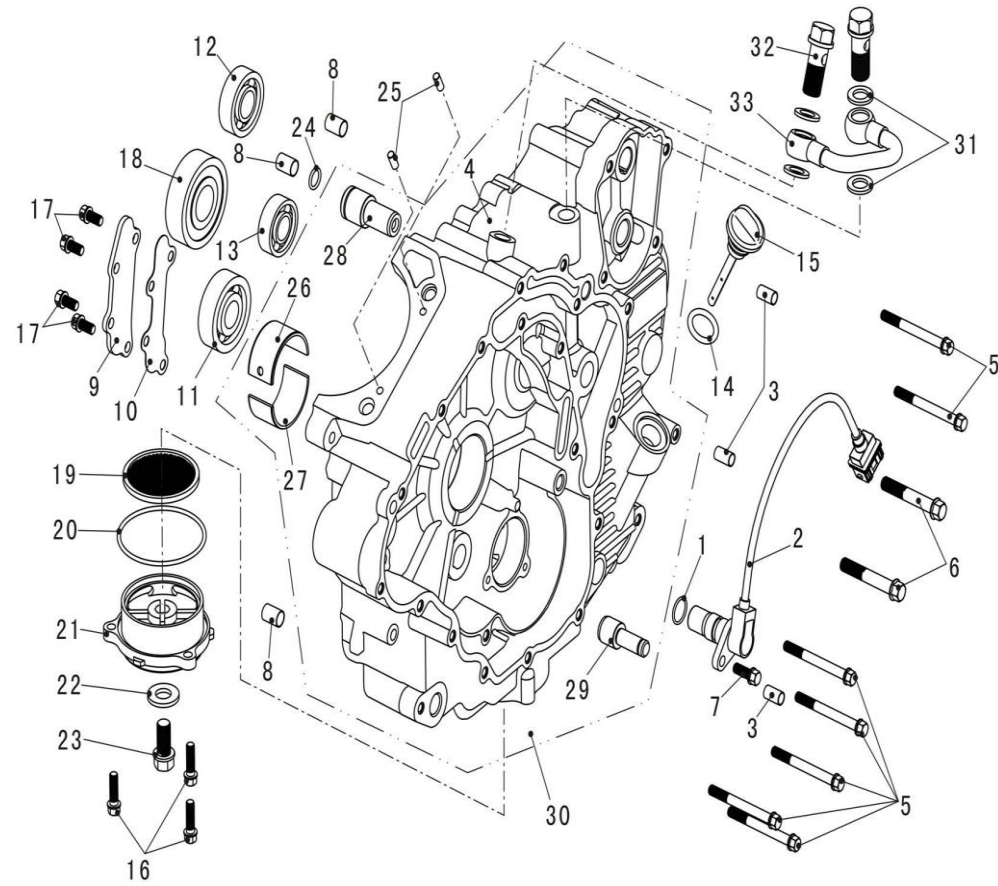


Fig. E6: Krumtaphus venstre / Left crankcase					
Ref. no.	PL nr / art. no.	Varenavn	Art. name	OE no.	Antal / pcs
1	9057302	O-ring 14X1,44	O-RING 14x1.44	35225	1
2	9057301	Krumtapsføler	SPEED SENSOR	35337	1
3	9058100	Styretap	DOWEL PIN f8x14	50076	3
4	N/A	Krumtaphus venstre	LEFT CRANKCASE	38056	1
5	9050225	Bolt M6x60	BOLT M6X60	11587	7
6	9050234	Bolt M8x50	BOLT M8X50	11588	2
7	9050220	Bolt M6x16	BOLT M6X16	11589	1
8	N/A	Styretap 10x14	DOWEL PIN f10x14	35094	3
9	N/A	Dæksel/plade	OIL COVER PLATE	38057	1
10	N/A	Pakning	PAPER WASHER	38058	1
11	9038583	Leje 6303	BEARING 6303	10846	1
12	9038573	Leje 6203	BEARING 6203	10851	1
13	9038570	Leje 6202	BEARING 6202	10849	1
14	9057304	O-ring18x3,55	O-RING 18x3.55	10844	1
15	N/A	Oliepind	DIPSTICK, ENGINE OIL	38059	1
16	9050221	Bolt M6x20	BOLT M6x20	11590	3
17	N/A	Bolt M6x12	BOLT M6x12	11591	4
18	N/A	Leje	ROLLING BEARING	10848	1
19	9063285	Oliesi	OIL STRAINER	38060	1
20	9063273	O-ring 63x2,5	O-RING 63x2.5	38061	1
21	N/A	Hus f/oliesi	PLATE, OIL STRAINER	38148	1
22	N/A	Bundprospakning	WASHER 12	1309283	1
23	9057305	Bundprop M12x1,5	DRAIN BOLT, M12x1.5 0180-011500	50105	1
24	9057300	O-ring10x1,8	O-RING 10x1.8	10843	1
25	N/A	Styretap	NEEDLE PIN P 5x11.8	38040	2
26	N/A	Leje overfald rød II	BEARING SLEEVE RED II	38064	1
26	N/A	Leje overfald blå II	BEARING SLEEVE BLUE II	38065	1
27	N/A	Leje overfald rød I	BEARING SLEEVE RED I	38062	1
27	N/A	Lejeoverfald blå I	BEARING SLEEVE BLUE I	38063	1
28	N/A	Mellemaksel	INTERMEDIATE GEAR, SHAFT, REVERSE	38066	1

Fortsættes

Fig.E7: Krumtaphus højre/ Right crankcase

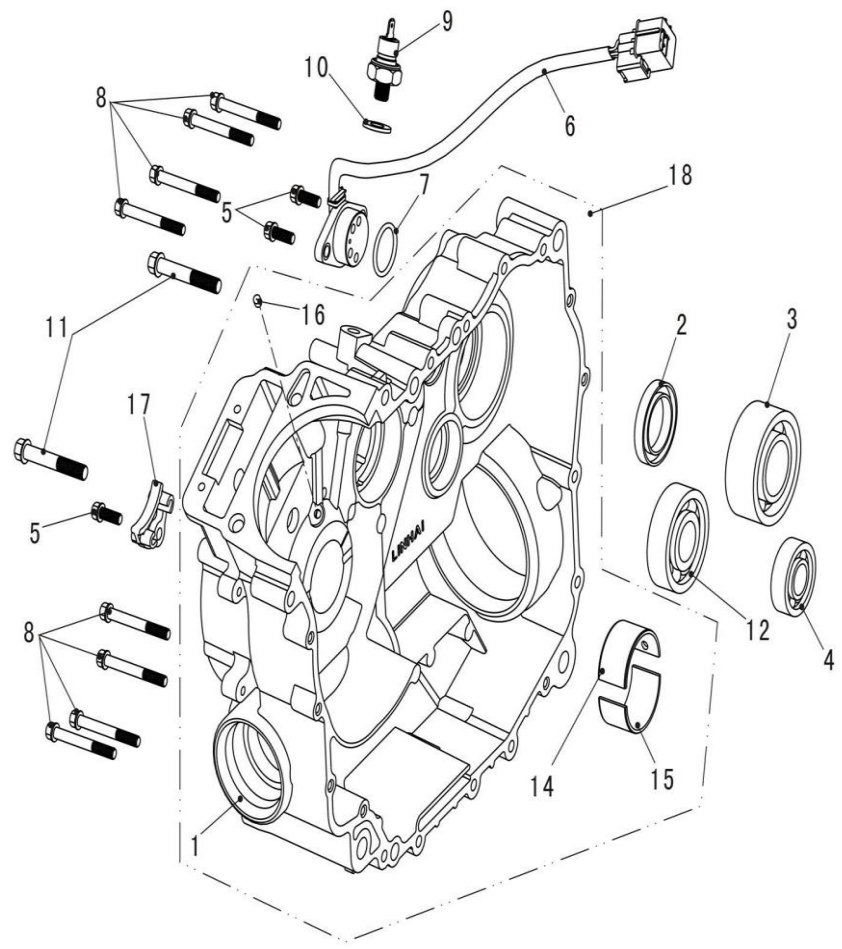


Fig. E7: Krumtaphus højre/ Right crankcase

Ref. no.	PL nr / art. no.	Varenavn	Art. name	OE no.	Antal / pcs
1	N/A	Krumtaphus højre	RIGHT CRANKCASE	38069	1
2	9057311	Pakdåse 30x45x7	OIL SEAL30x45x7	35222	1
3	9049517	Leje 5206C3	BEARING 5206C3	10860	1
4	9038573	Leje 6203	BEARING 6203	10851	1
5	N/A	Bolt M6x16	BOLT M6X16	11589	3
6	9063286	Gear positions sensor	GEAR POSITION SENSOR	38070	1
7	9057307	O-ring 26x2,5	O-RING 26x2.5	35226	1
8	N/A	Bolt M6x50	BOLT M6X50	11593	8
9	9063287	Olietrykskontakt	SWITCH, OIL PRESSURE	38071	1
10	N/A	Skive 10	WASHER 10	35227	1
11	9050234	Bolt M8x50	BOLT M8X50	11588	2
12	N/A	Leje	ROLLING BEARING	10848	1
14	N/A	Leje overfald rød II	BEARING SLEEVE RED II	38064	1
14	N/A	Leje overfald blå II	BEARING SLEEVE BLUE II	38065	1
15	N/A	Leje overfald rød I	BEARING SLEEVE RED I	38062	1
15	N/A	Leje overfald blå I	BEARING SLEEVE BLUE I	38063	1
16	N/A	Prop	PLUG	38072	1
17	N/A	Kædestyr	GUIDE, CHAIN	38073	1
18	N/A	Krumtaphus højre, komplet	RIGHT CRANKCASE ASSY	38074	1

Fig. E8: CVT-hus/ CVT housing

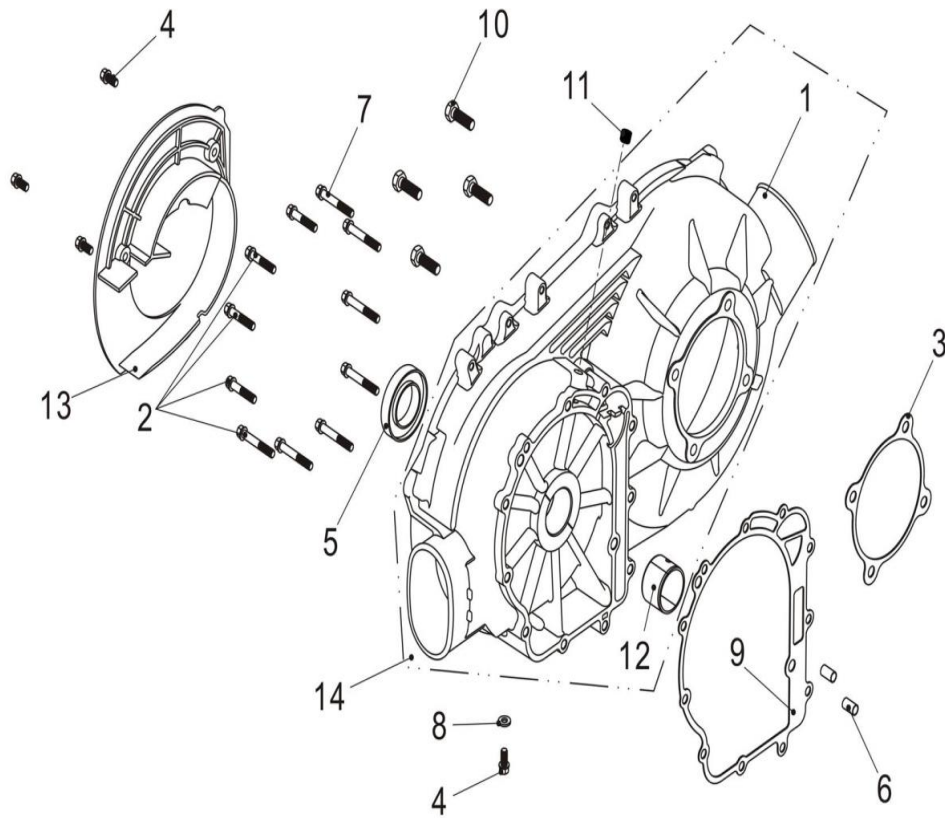


Fig. E8: CVT-hus/ CVT housing

Ref. no.	PL nr / art. no.	Varenavn	Art. name	OE no.	Antal / pcs
1	N/A	CVT-hus	CVT CASE	38075	1
2	9050222	Bolt M6x30	BOLT M6x30	11595	4
3	N/A	Pakning CVT-hus 2	PAPER GASKET, CVT CASE 2	38078	1
4	N/A	Bolt M6s12	BOLT M6x12	11596	4
5	N/A	Pakdåse 32x55x10	OIL SEAL 32X55X10	38077	1
6	9058100	Styretap 8x14	DOWEL PIN f8x14	50076	2
7	9050223	Bolt M6x40	BOLT M6X40	11597	7
8	N/A	Skive 6	WASHER6	35108	1
9	N/A	Pakning CVT-hus 1	PAPER GASKET, CVT CASE 1	38076	1
10	N/A	Bolt M8x25	BOLT M8X25	11598	4
11	N/A	Prop	PLUG	38079	1
12	N/A	Lejebøsning "rød"	PLAIN BEARING, CVT CASE RED	38080	2
12	N/A	Lejebøsning "blå"	PLAIN BEARING, CVT CASE BLUE	38081	2
13	N/A	Dæksel f/CVT luftindtag	PLATE, AIR INTAKE	38082	1
14	N/A	CVT-hus komplet	CVT CASE ASSY	38083	1

Fig. E9: CVT-dæksel/CVT cover

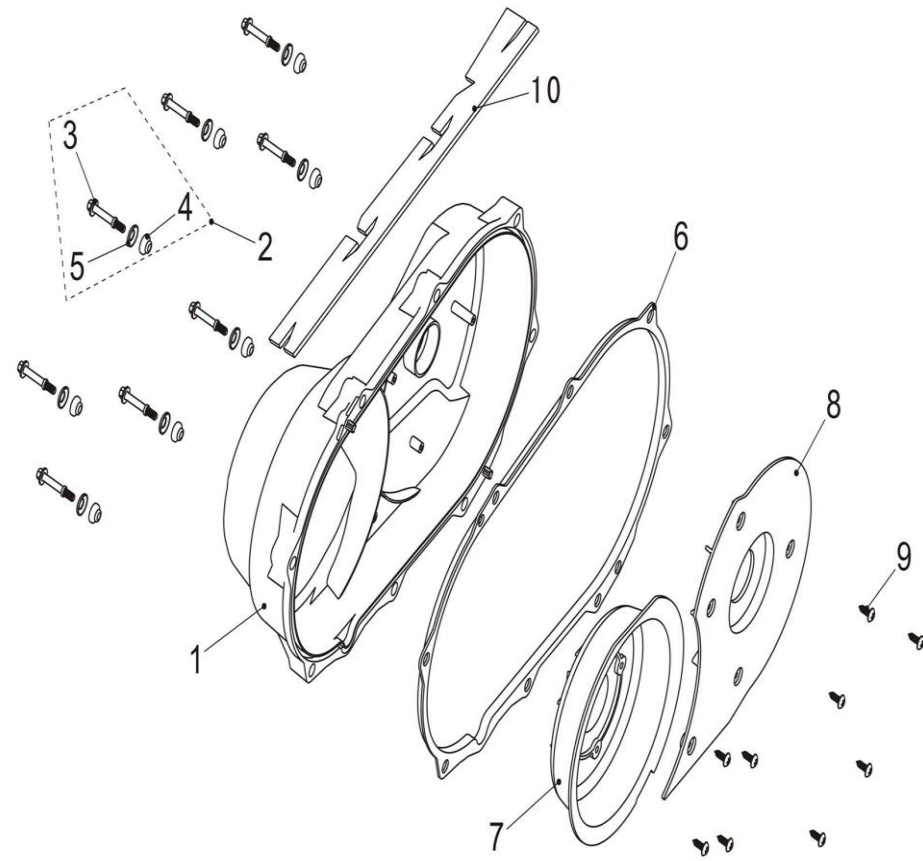


Fig. E10: Venstre krumtaphus / Left crankcase cover

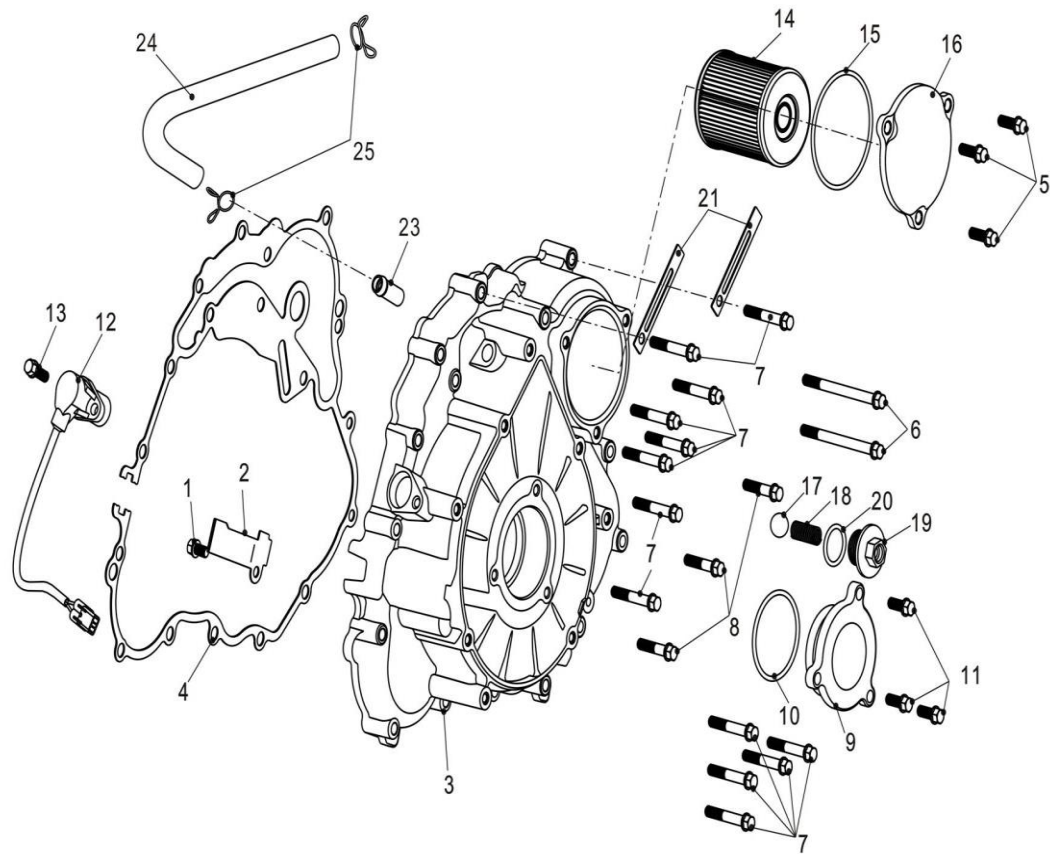


Fig.E10: Venstre krumtaphus /Left crankcase cover					
Ref. no.	PL nr / art. no.	Varenavn	Art. name	OE no.	Antal / pcs
1	N/A	Bolt M6x10	BOLT M6X10	11600	1
2	N/A	Plade	PLATE	38087	1
3	9064180	Krumtaphus venstre	COVER, LEFT CRANKCASE	38088	1
4	9064181	Pakning f/venstre krumtaphus	GASKET, LEFT CRANKCASE COVER	38089	1
5	N/A	Bolt M6x18	BOLT M6X18	11591	3
6	N/A	Bolt M6x75	BOLT M6X75	11602	2
7	9050233	Bolt M6x40	BOLT M6X40	11603	13
8	9050222	Bolt M6x30	BOLT M6X30	11604	3
9	9057330	Lukkedæksel/endestykke	END CAP	35537	1
10	9029866	O-ring 46,5x2,5	O-RING46.5x2.65	10039	1
11	N/A	Bolt M6x14	BOLT M6X14	11596	3
12	9064038	Omdrejningssensor	RPM SENSOR	38090	1
13	N/A	Bolt M6x16	BOLT M6X16	11589	1
14	9063272	Oliefilter	FILTER, ENGINE OIL BB	38091	1
15	9063273	O-ring 46,5x2,5	O-RING 63x2.5	38061	1
16	N/A	Dæksel f/oliefilter	CAP, OIL FILTER	38147	1
17	N/A	Stålkugle	STEEL BALL	11607	1
18	N/A	Fjeder f/overtryk	SPRING, RELIEF VALVE?	38092	1
19	N/A	Lukkeprop	SCREW PLUG , DECOMPRESSOR	38093	1
20	N/A	O-ring 19x2,5	O-RING 19x2.5	38094	1
21	N/A	Kabelholder	WIRE CLAMP	35247	2
22	N/A		OIL COOLING STENTS	38095	1
23	N/A	Studs krumtaphus udluftning	JOINT, BREATHER HOSE	35219	1
24	9057308	Slange krumtaphus udluftning	BREATHER HOSE	35220a	1
25	N/A	Spændebånd	CLAMP A12	10845	2

Fig.E11: Generator/generator

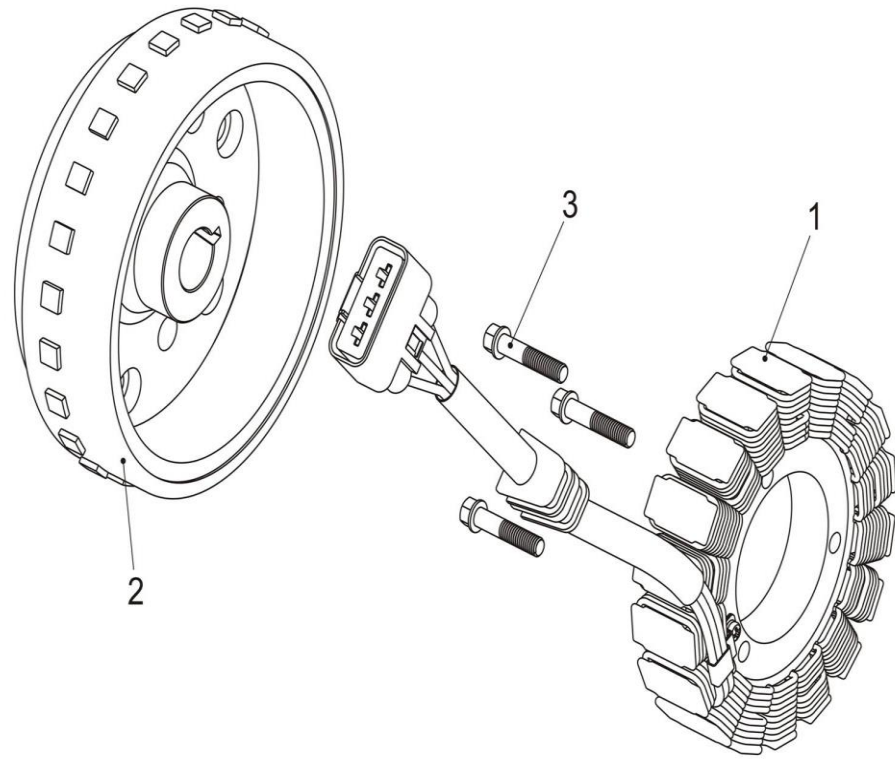


Fig.E12: Starter & drev/Electric starter

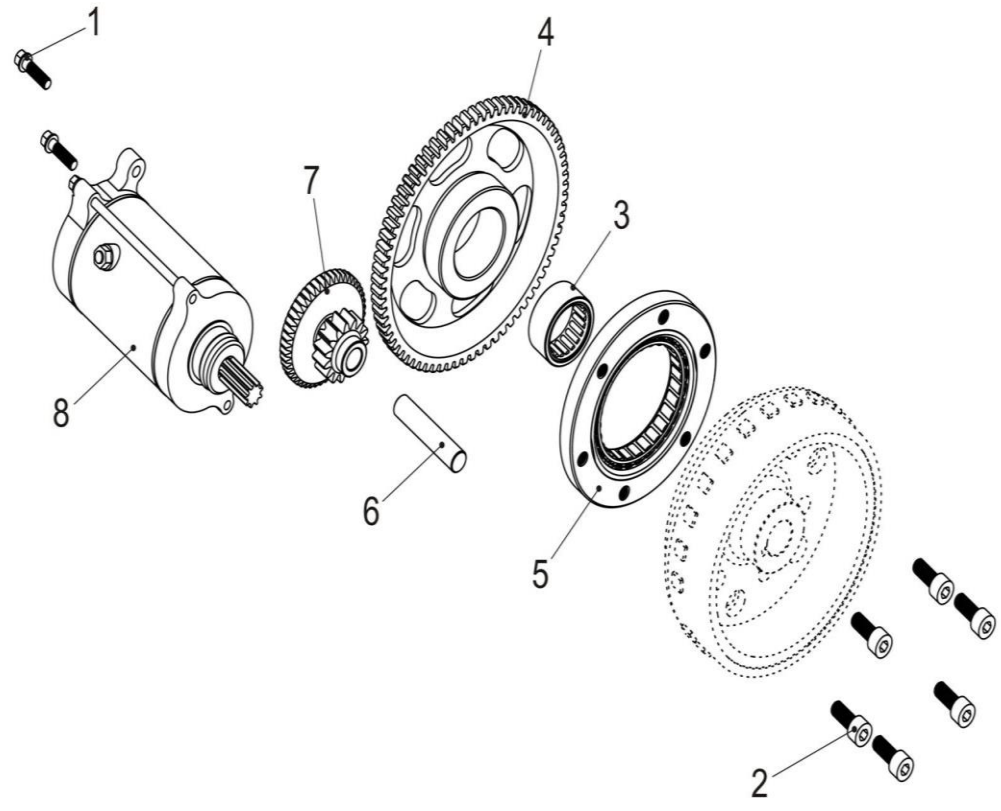


Fig. E13: Kobling Cvt/Clutch

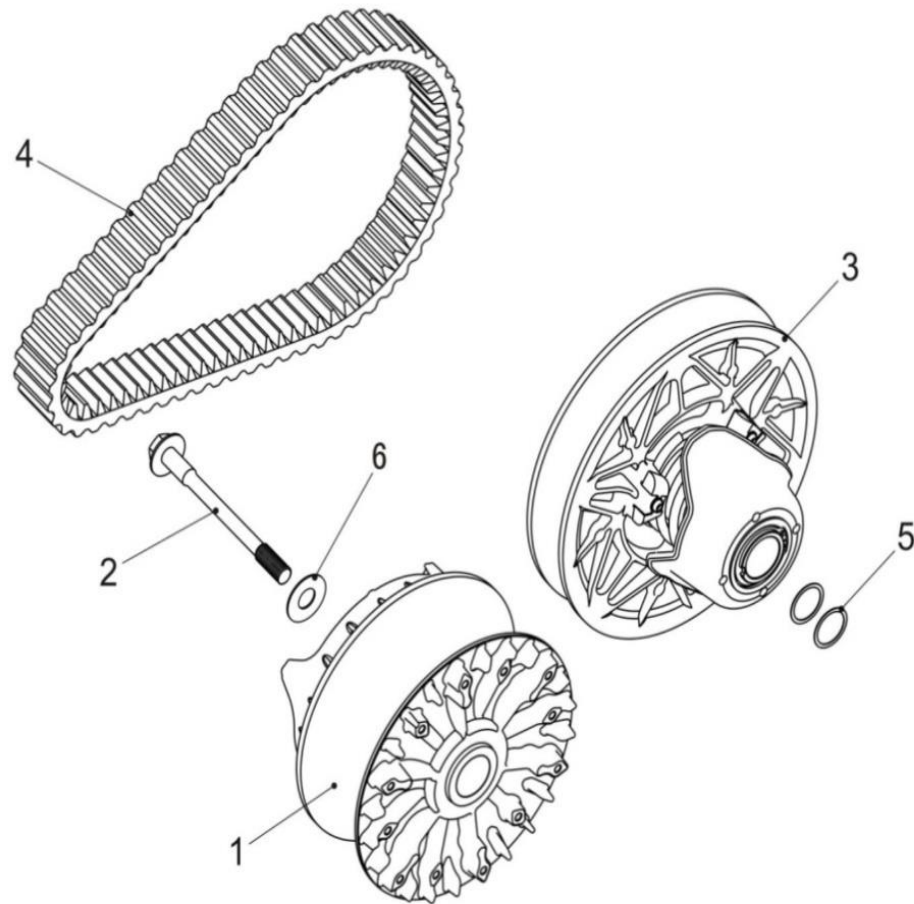


Fig.E13: Kobling Cvt/Clutch

Ref. no.	PL nr / art. no.	Varenavn	Art. name	OE no.	Antal / pcs
1	9063288	CVT	DRIVE PULLEY	38100	1
2	N/A	Bolt f/kobling	BOLT, DRIVE PULLEY	38101	1
3	9063289	Variator	PULLEY, DRIVEN	38102	1
4	N/A	Variator rem "kun Frankrig"	CVT BELT BANDO (MITSUBOSHI 35.9X939) (ONLY USED FOR FRANCE)	38103	1
4	9063277	Variator rem 912x35	CVT BELT BANDO (GATES POWERLINK 912X35) (USED EXCEPT FOR FRANCE)	38103a	1
5	N/A	Juster shim	ADJUSTING WASHER	38104	1
6	N/A	Skive	DRIVE PULLEY WASHER	38105	1

Fig.E14: Transmission I/Transmission I

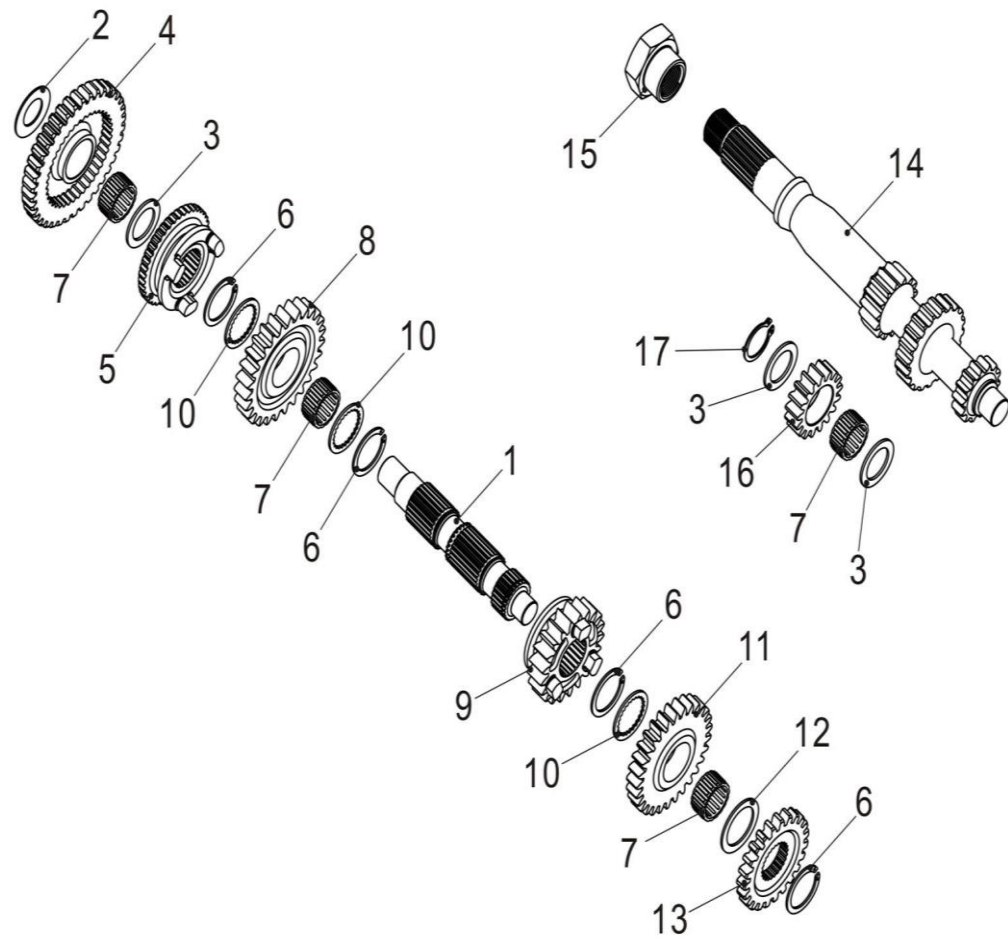


Fig.E15: Transmission II/ Transmission II

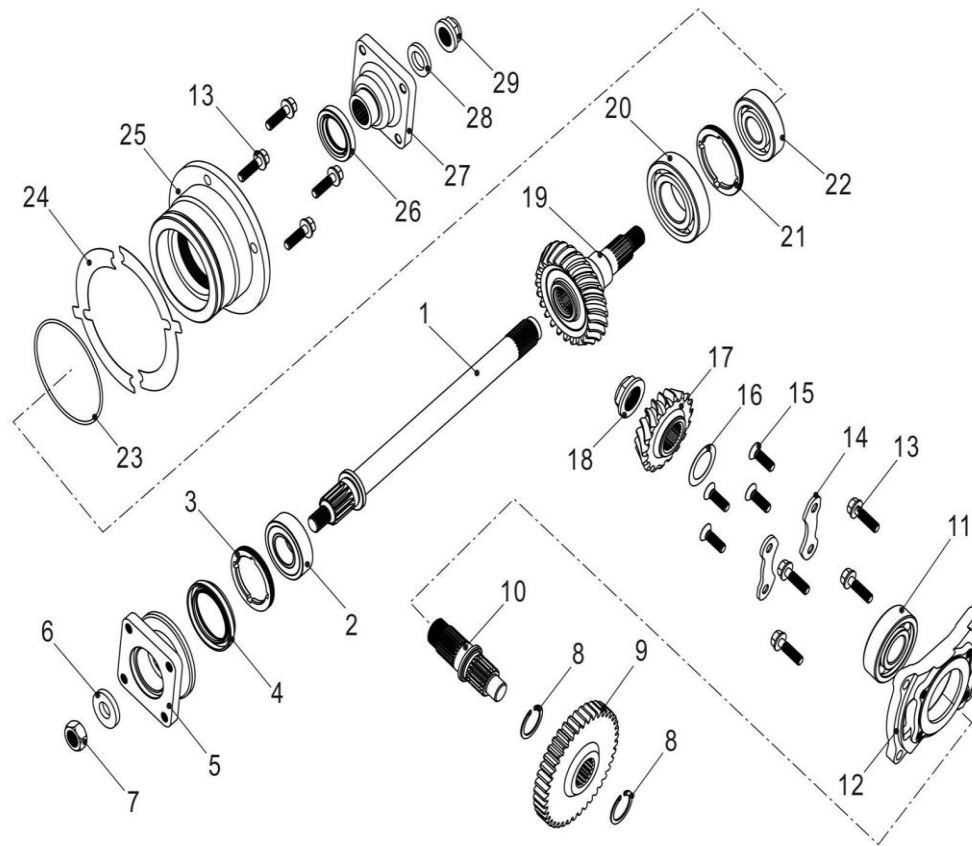


Fig.E15: Transmission II/ Transmission II

Ref. no.	PL nr / art. no.	Varenavn	Art. name	OE no.	Antal / pcs
1	9057367	Udgangsaksel	Front output shaft	35288	1
2	9038576	Leje 6205	Bearing 6205	10267N	1
3	N/A	Låsering	Bearing retainer, front output shaft	35291	1
4	9057368	Pakdåse 44x60x6,7/10	OIL SEAL 44x60x6.7/10	35289	1
5	9057369	Samler/overgang drivaksel	COUPLER, FRONT TRANSMISSION OUTPUT	35290	1
6	N/A	Skive f/udgangsaksel	WASHER, FRONT TRANSMISSION OUTPUT SHAFT NUT	35292	1
7	9057370	Møtrik M14x1,5-10	NUT M14x1.5-10	10837	1
8	9057357	Låsering 25	CIRCLIP 25	35311	2
9	9057362	Tandhjul f/udgangsaksel	OUTPUT DRIVEN GEAR	35271	1
10	9057363	Aksel, spidshjul	DRIVE BEVEL GEAR SHAFT	35276	1
11	9038585	Leje 6305C3	BEARING 6305C3	10855	1
12	N/A	Lejehus	BEARING SEAT, DRIVE BEVEL GEAR	35274	1
13	N/A	Bolt M8x25	BOLT M8x28	35286	4
14	N/A	Lejelås	BEARING LIMIT	35287	2
15	N/A	Skrue M8x25	SCREW M8x25	11517	4
16	9057364	Juster shim	ADJUST WASHER, DRIVE BEVEL GEAR	35277	1
17	9057365	Spidshjul	DRIVE BEVEL GEAR	35272	1
18	9057366	Låsemøtrik f/spidshjul	LOCKNUT, BEVEL GEAR	35275	1
19	9057371	Spidshjul	DRIVEN BEVEL GEAR	35273	1
20	9038580	Leje 6207	BEARING 6207/P63	10856	1
21	9057372	Møtrik f/leje	BEARING LIMIT NUT	35282	1
22	N/A	Leje 63/22	BEARING 63/22	10848	1
23	9057373	O-ring 88x2,4	O-RING 88x2.4	35279	1
24	9057374	Justerskive	ADJUST WASHER, DRIVEN BEVEL GEAR	35280	2
25	N/A	Lejehus	BEARING SEAT, DRIVEN BEVEL GEAR	35278	1
26	9057375	Pakdåse 30x46x7	OIL SEAL 30x46x7	35281	1
27	9057376	Samler/overgang drivaksel	COUPLER, REAR TRANSMISSION OUTPUT	35283	1
28	N/A	Skive	WASHER, REAR OUTPUT SHAFT NUT	35284	1
29	N/A	Møtrik udgangsaksel	NUT, REAR OUTPUT SHAFT	35285	1

Fig.E16: Transmission III/ Transmission III

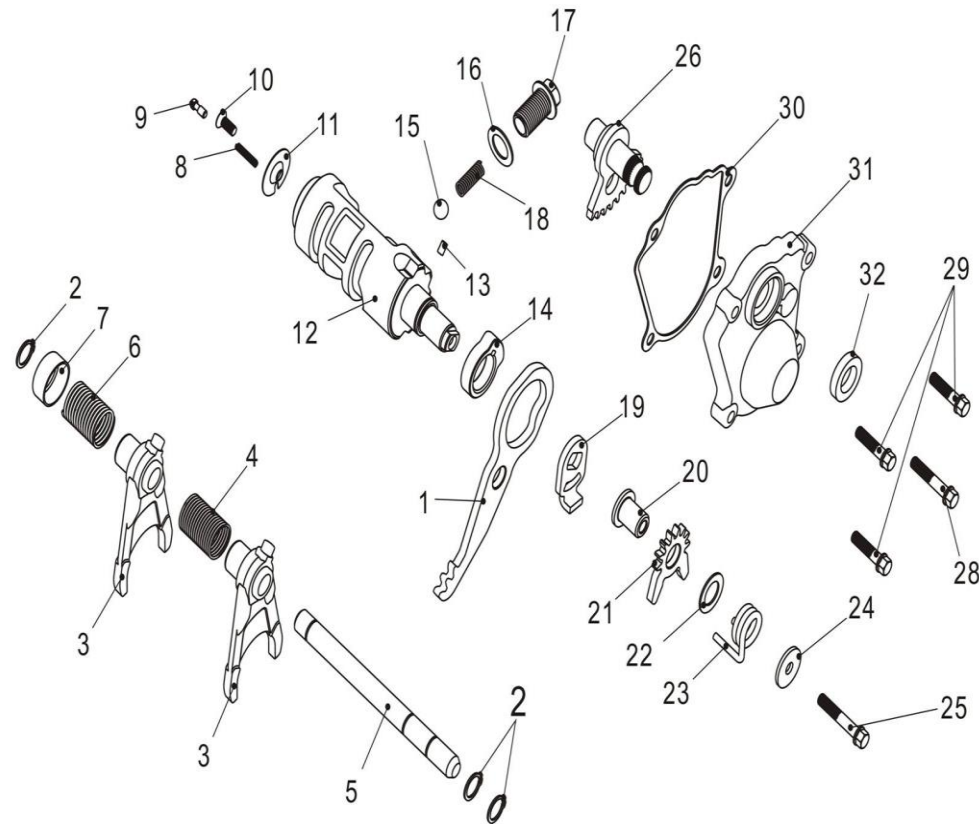


Fig.E16: Transmission III/ Transmission III

Ref. no.	PL nr / art. no.	Varenavn	Art. name	OE no.	Antal / pcs
1	N/A	Gearvælger indvendig	ROCKER ARM, PARKING	38120	1
2	9034891	Låsering	CIRCLIP 12	10129	3
3	N/A	Skiftegaffel	SHIFT FORK	38121	1
4	9057382	Fjeder f/skiftegaffel (1)	SPRING 1, SHIFT FORK	35327	1
5	N/A	Aksel f/skiftegaffe	GUIDE BAR	35333	1
6	9057384	Fjeder f/skiftegaffel (2)	SPRING 2, SHIFT FORK	35328	1
7	9057385	Bøsning holder f/fjeder	Spring seat	35326	1
8	9057386	Fjeder f/gearkontakt	SPRING, GEAR CONTACTOR	35322	1
9	9057387	Gearkontakt	GEAR CONTACTOR	35321	1
10	N/A	Skrue M5x12	SCREW M5x12	10135	1
11	N/A	Afstandsskive	LIMIT WASHER	35323	1
12	N/A	Skiftetromle	SHIFT CAM	38122	1
13	N/A	Låsestift	NEEDLE PIN	38123	1
14	N/A	Styreplade	CAM, PARKING	38124	1
15	9057389	Låsekugle 3/8	FRICITION BALL 3/8	10842	1
16	N/A	Skive 14x22x1	WASHER 14x22x1	35324	1
17	9057390	Bolt 14x1,5 "Banjotype"	HOLE BOLT M14x1.5	35325	1
18	9057391	Fjeder	LIMIT SPRING	35332	1
19	9057392	Medbringer	WASHER, DRIVEN SECTOR GEAR	35303	1
20	9057393	Akselbøsning	SHAFT, DRIVEN SECTOR GEAR	35302	1
21	9057394	Skiftetandhjul "medbringer"	DRIVEN SECTOR GEAR	35301	1
22	9057395	Skive 13,5x22x1	WASHER 13.5x22x1	35304	1
23	9057396	Spændefjeder f/tandhjul	TORSION SPRING, DRIVEN SECTOR GEAR	35305	1
24	9057397	Skive 6,6x20x2,0	WASHER 6.6x20x2	35306	1
25	N/A	Bolt M6x35	BOLT M6x35	11438	1
26	9057398	Skifte tandhjul	WELD PART, DRIVE SECTOR GEAR	35300	1
28	N/A	Bolt M6x32	BOLT M6x32	10329	1
29	N/A	Bolt M6x25	BOLT M6x25	10187	3
30	9057400	Pakning f/gearhus	GASKET, SECTOR GEAR HOUSING	35241	1
31	N/A	Dæksel gearhus	COVER, SECTOR GEAR HOUSING	35240	1

32	9057401	Pakdåse 15x25x5	OIL SEAL 15x25x5	035242	1

Fortsættes

Fig.E17: Oliepumpe/Oil pump

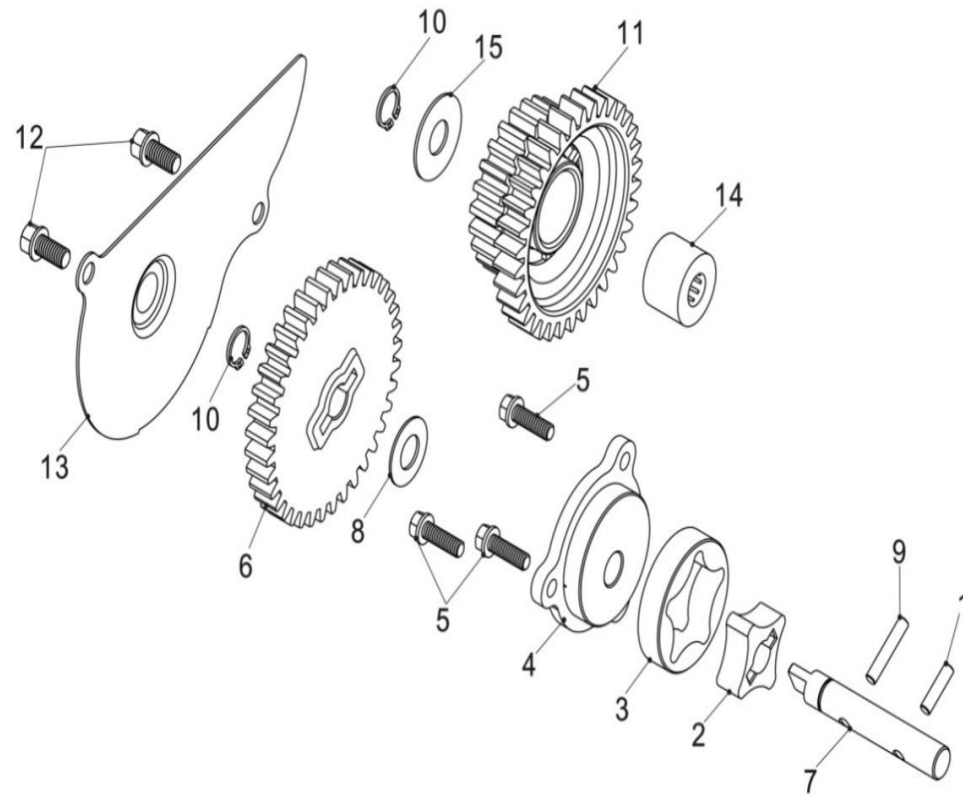


Fig.E18: Vandpumpe/Water pump

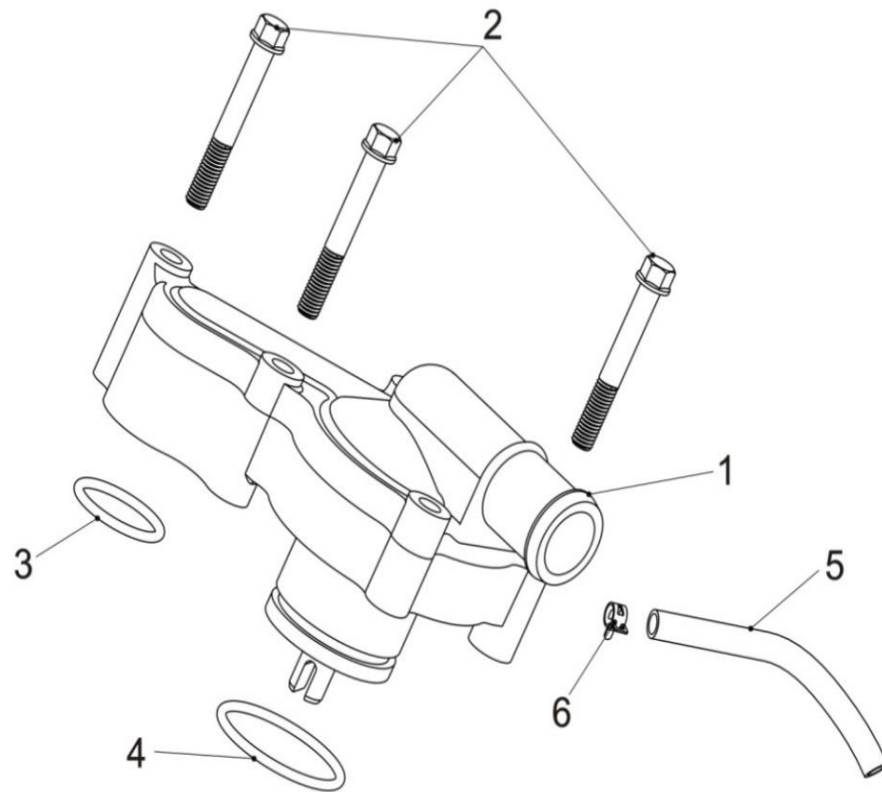


Fig. E18: Vandpumpe/Water pump

Ref. no.	PL nr / art. no.	Varenavn	Art. name	OE no.	Antal / pcs
1	9063278	Vandpumpe komplet	WATER PUMP ASSY	38135	1
2	N/A	Bolt M6x45	BOLT M6x45	11583	3
3	9063279	O-ring 22,5x2,5	O-RING22.5x2.5	38136	1
4	9057411	O-ring 34x2,5	O-ring 34X2,5	35174	1
5	N/A	Overløbsslange	Overflow tube	38137	1
6	N/A	Låsering 6,5	CLIP6.5	11614	1

Fig.E19 Gasspældshus/Fuel injection assy

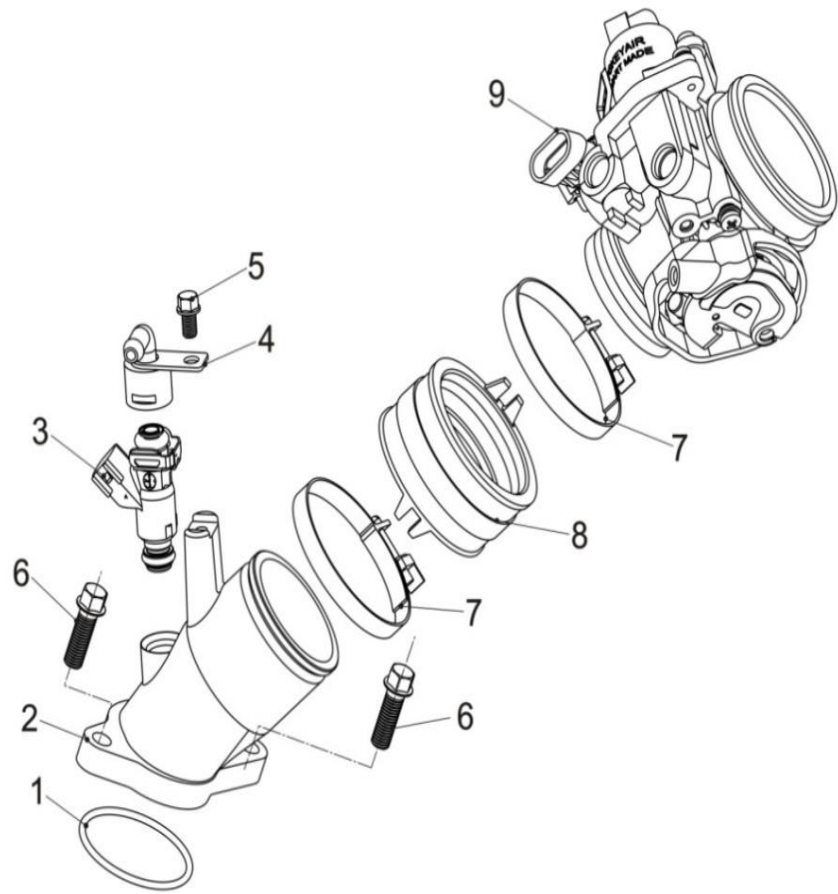


Fig.E20 Sidedæksel venstre/Left side cover

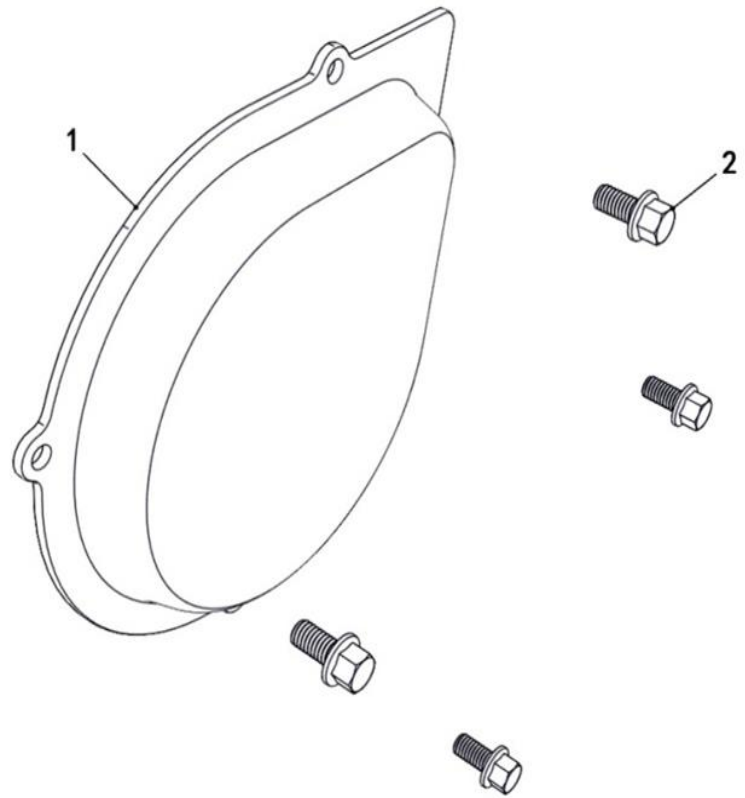


Fig.E21Kølersystem/Radiator

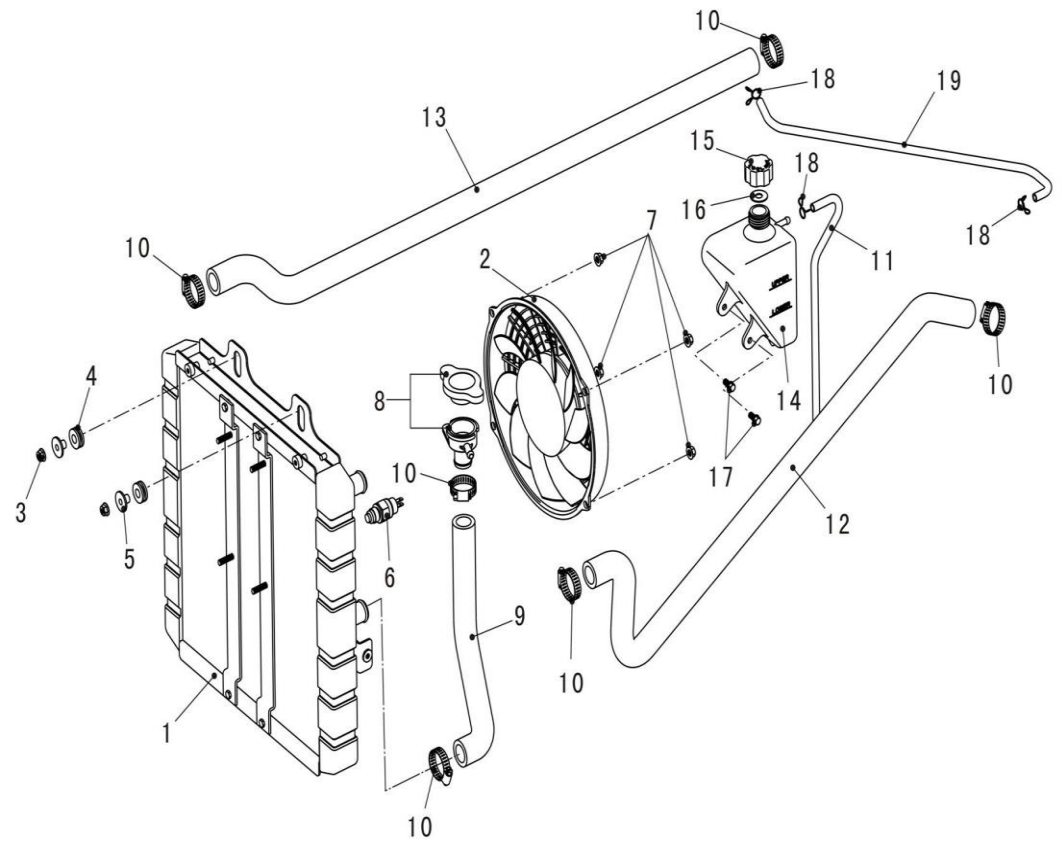


Fig.E22 Oliekøler/Oil Radiator

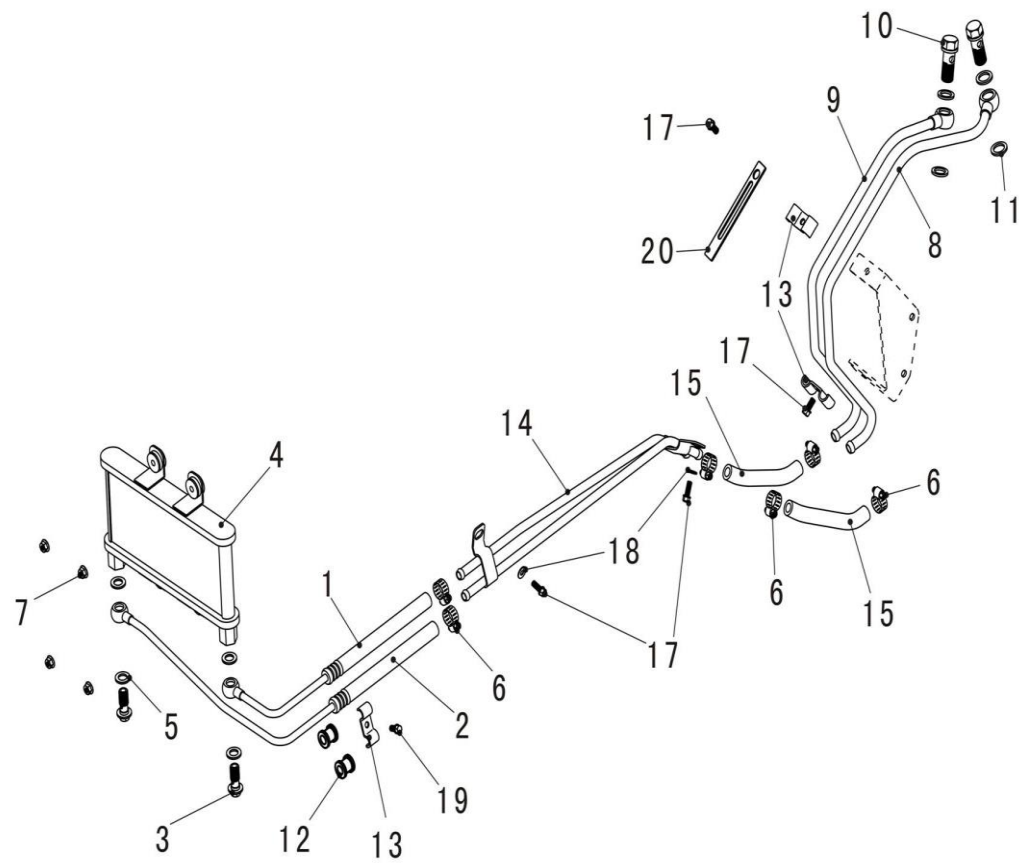


Fig.E22 Oliekøler/Oil radiator

Ref. no.	PL nr / art. no.	Varenavn	Art. name	OE no.	Antal / pcs
1	N/A	Olieslange A (195mm)	PIPE A (195mm)	36013a	1
2	N/A	Olieslange B (195mm)	PIPE B (195mm)	36012a	1
3	N/A	Bundprop	DRAIN PLUG	35379	2
4	N/A	Oliekøler	OIL RADIATOR	29850	1
5	N/A	Pakning	WASHER	35341	4
6	N/A	Spændebånd	CLAMP 12/20	10774	6
7	9050206	Møtrik M6	NUT 6	10836	4
8	N/A	Olierør	PIPE B (NEW MODEL)	38171	1
9	N/A	Olierør	PIPE A (NEW MODEL)	38172	1
10	N/A	Banjo bolt M14x1,5	HINGE BOLT M14x1.5	38142	2
11	9037436	Kobberpakning Ø14	WASHER 14	38143	4
12	N/A	Beskyttelse	OLD MODEL CUSHION COLLAR	36015	2
13	N/A	Slangeholder	OLD MODEL DEAD PLATE	36014	3
14	N/A	Olierør	Oil cooling pipe	36174	1
15	N/A	Olieslange C (180)	PIPE C (180mm)	36494	2
17	9050220	Bolt M6x16	BOLT M6x16	10183W	4
18	9050201	Planskive M6	WASHER 6	11573	2
19	N/A	Bolt M6x12	BOLT M6x12	11596	1
20	N/A	Holder	WIRE CLAMP	35247	3

Fig.E23 Luftfilter/Air cleaner

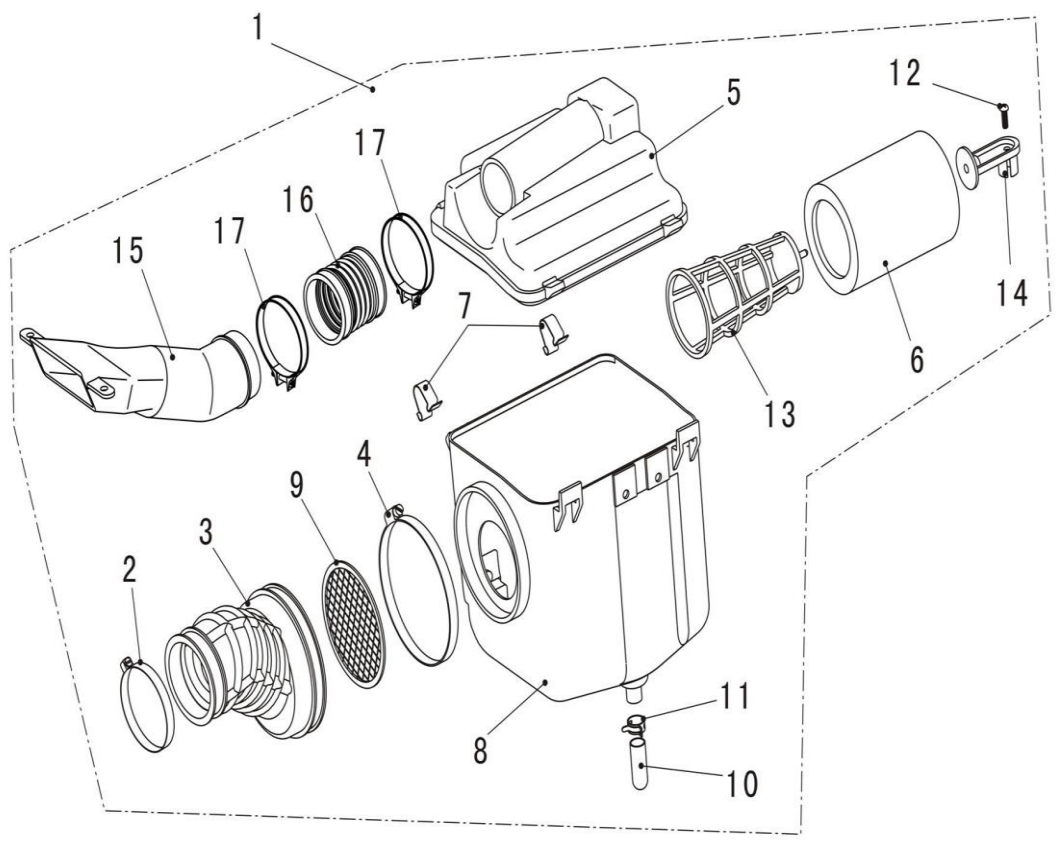


Fig.E24 Luftslanger f/cvt køling/CVT air shroud

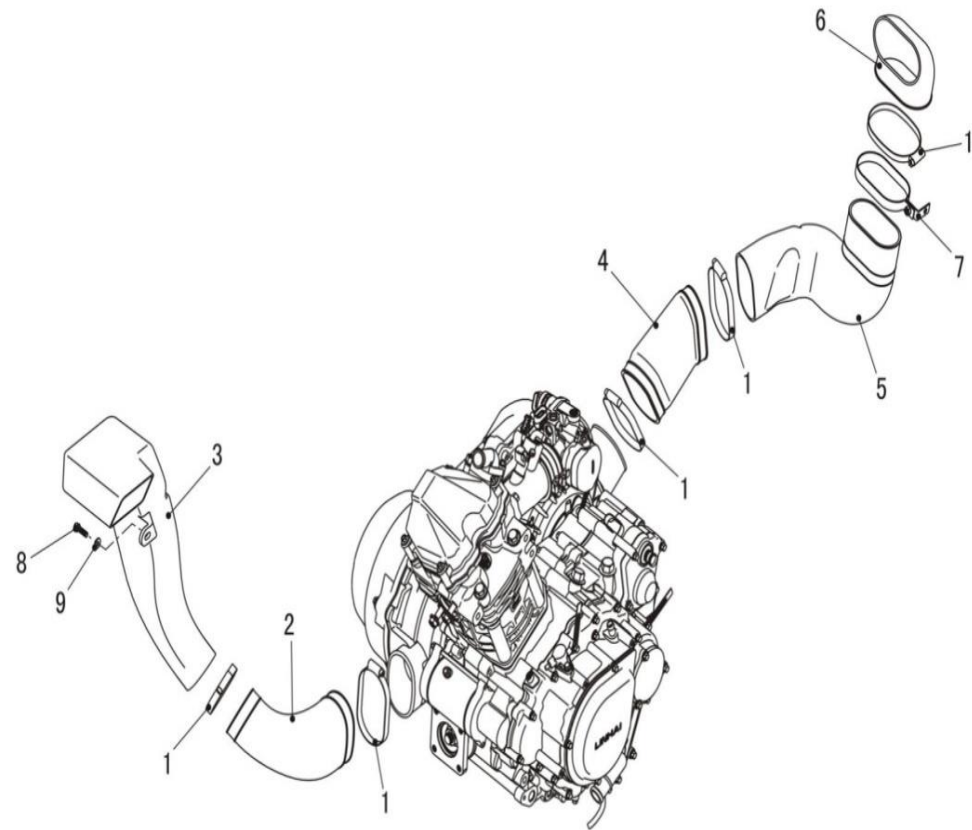


Fig.E25 Udstødningssystem/Exhaust T3

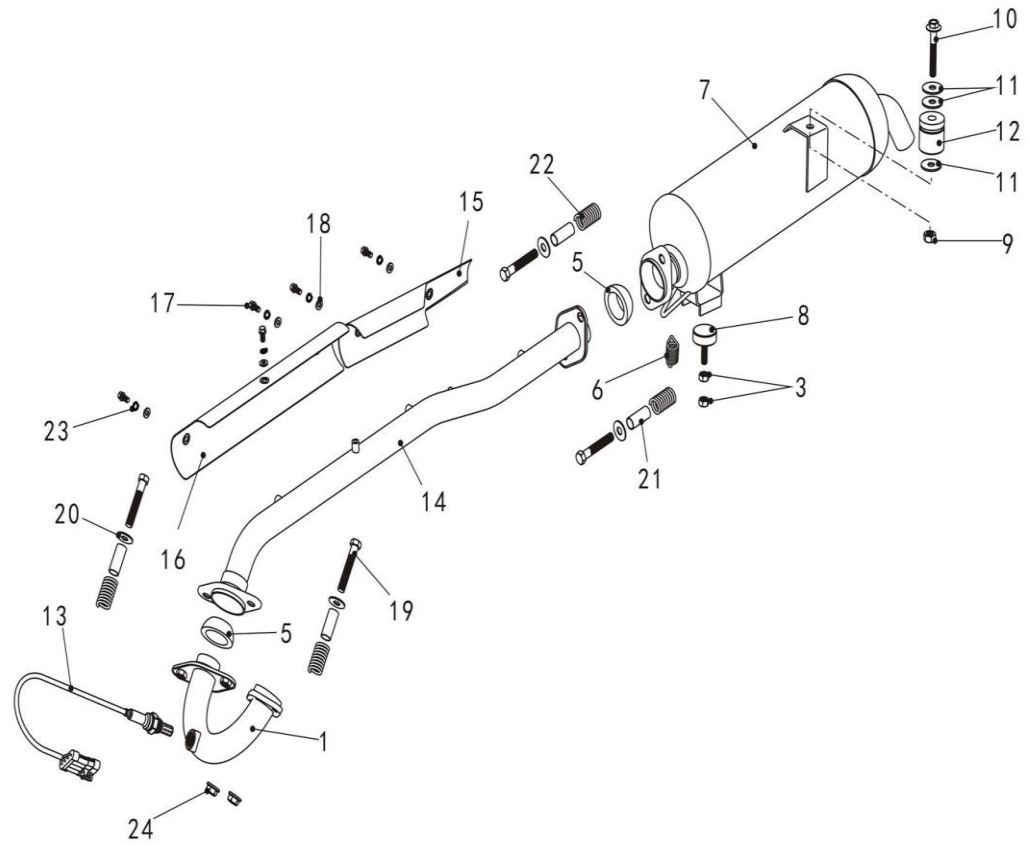


Fig.E25 Udstødningssystem/Exhaust T3					
Ref. no.	PL nr / art. no.	Varenavn	Art. name	OE no.	Antal / pcs
1	N/A	Udstødningsbøjning	EXHAUST PIPE	35897	1
2	9050202	Planskive M8	WASHER 8	11504	2
3	9050207	Møtrik M8	NUT M8	11618	2
5	9063280	Udstødningspakning konisk	JOUNT	35898	2
6	9029909	Fjeder	SPRING	23408	5
7	N/A	Lyddæmper	MUFFLER	35899	1
8	N/A	Gummistøtte f/lyddæmper	MUFFLER SUPPORT BOTTOM	35345	1
9	9031005	Møtrik M10x1,25	NUT M10X1.25	11619	1
10	N/A	Bolt M10x1,25x62	BOLT FLANGE M10X1.25X62	11620	1
11	9050199	Skærmskive M10	WASHER PLATE 10	11621	3
12	9057433	Ophæng t/lyddæmper	MUFFLER SUPPORT	35344	1
13	9036689	Lambda sensor	SENSOR	70826	1
14	9066034	Mellemrør	EXHAUST PIPE	35900	1
15	9066036	Varmebeskyttelse 2	SAFETY GUARD 2	35876	1
16	9066035	Varmebeskyttelse 1	SAFETY GUARD 1	35877	1
17	N/A	Bolt M6x12	BOLT M6X12	10140W	5
18	9050201	Planskive M6	WASHER 6	11534	5
19	9050244	Bolt M10x60	BOLT M10x60	11184	4
20	9050203	Planskive M10	WASHER 10	11035	4
21	N/A	Afstandsbojsning	SPACER 13x35	47077	4
22	9063281	Fjeder	SPRING	47076	4
23	9050201	Planskive M6	WASHER 6	11534	5
24	9050207	Møtrik M8	NUT M8	10794	2

Fig.E26 Specialværktøj/Tool

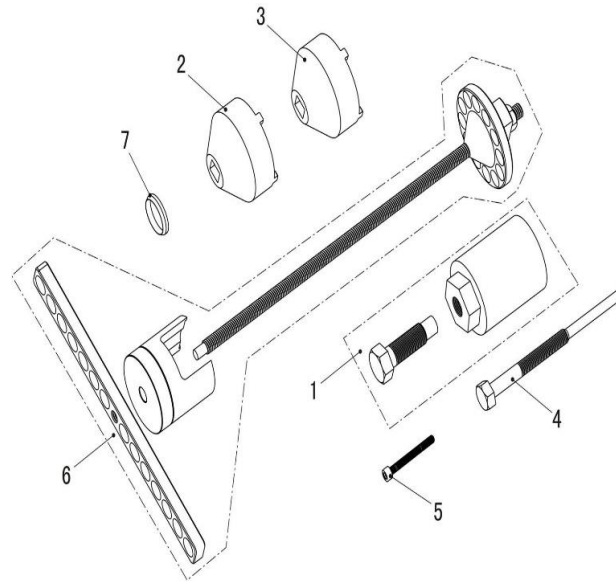


Fig.E26 Specialværktøj/Tool

Ref. no.	PL nr / art. no.	Varenavn	Art. name	OE no.	Antal / pcs
1	N/A	Specialværktøj	ROTOR ASSY PULLER	80129	1
2	N/A	Specialværktøj	BEARING RETAINER, FRONT OUTPUT SHAFT, NUT WRENCH	80130	1
3	N/A	Specialværktøj	BEARING LIMIT NUT, NUT WRENCH	80131	1
4	N/A	Specialværktøj	DRIVING WHEEL PULLER	38144	1
5	N/A	Specialværktøj	CVT BELT BANDO PULLER (BOLT M6X55)	38177	1
6	N/A	Specialværktøj	DRIVEN PULLEY SPRING COMPRESSOR	72014	1
7	N/A	Specialværktøj	THE TOOL FOR ONE WAY CLUTCH OF DRIVING WHEEL	72038	1

Fig.E27 Trækspil/Winch

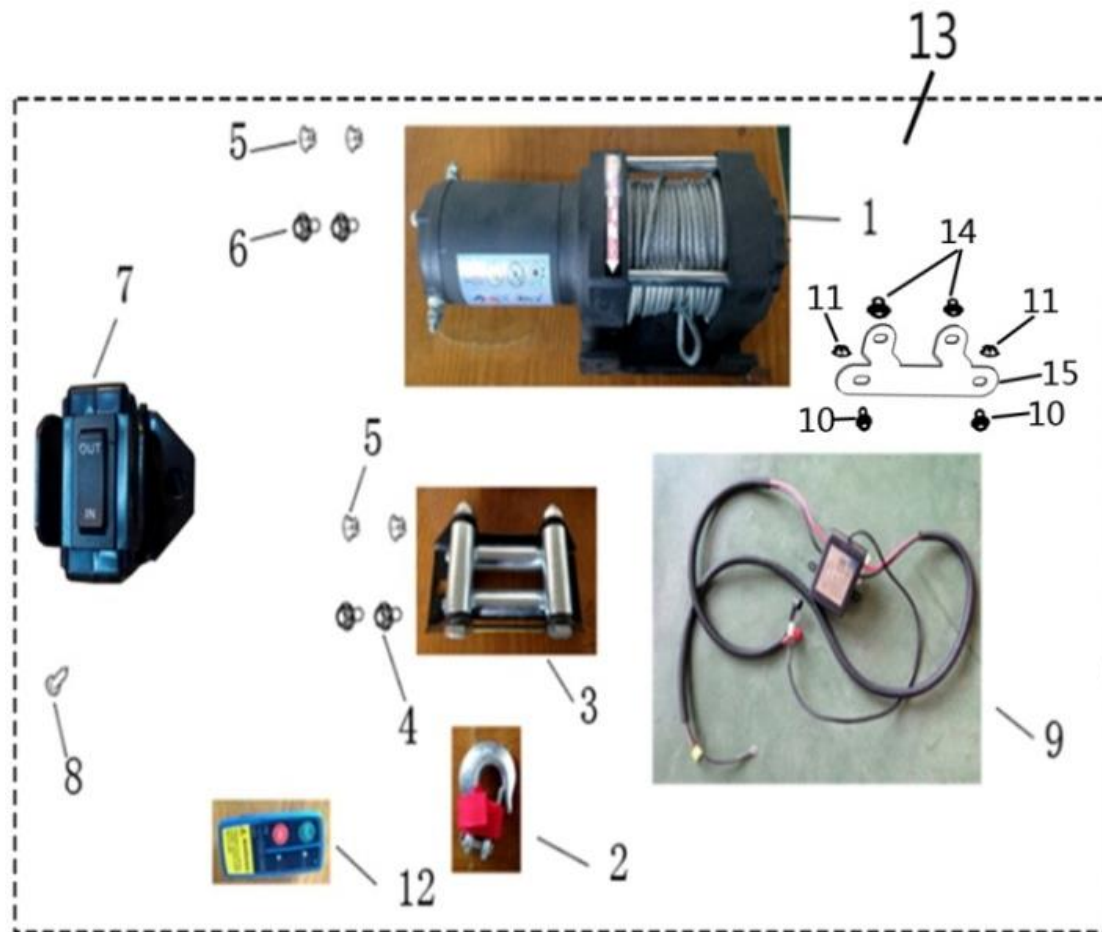


Fig.E27 Trækspil/Winch					
Ref. no.	PL nr / art. no.	Varenavn	Art. name	OE no.	Antal / pcs
1	N/A	Trækspil	TRACTOR	73544	1
2	N/A	Krog sæt	TOW HOOK	73545	1
3	N/A	Wirestyr	SLIDEWAY	73546	1
4	9050231	Bolt M8x20	HEXAGON FLANGE BOLT M8×20	11492	2
5	9050214	Møtrik M8 låse	PREVAILING TORQUE TYPE ALL-METAL HEXAGON NUT M8	10794	4
6	N/A	Bolt M8x25	HEXAGON FLANGE BOLT M8×25	11466	2
7	9039302	Styrkontakt	SWITCH	36492	1
8	N/A	Selvsøkørende skrue	CROSS RECESSED PAN HEAD TAPPING SCREW ST4.8×16	11468	1
9	9065704	Relæboks m/fjernbetjening	CONTROLLER (ORDER WITH REMOTE CONTROL (4CF-77533-00)) (LENGTH OF THE POSITIVE WIRE CONNECTING THE POWER SUPPLY IS 1180MM)	36493	1
10	N/A	Skrue M5x16	Cross Recessed Pan Head Screw M5×16	10201	2
10	N/A	Bolt M5x20	Bolt M5×20	11640	2
11	N/A	Skive	Washer 8	10002	2
11	9031901	Møtrik M5	Nut 5	11639	2
12	9018295	Fjernbetjening	REMOTE CONTROL (ORDER WITH CONTROLLER (4BB-77532-00))	73549	1
13	9063282	Trækspil komplet	TRACTOR ASSY.	72220	1
14	9050220	Bolt M6x16	Bolt M6×16	11097	2
15	N/A	Beslag	Controller Bracket	37126	1

Fig.E28 Motorpakningssæt/Fragile Gasket assy

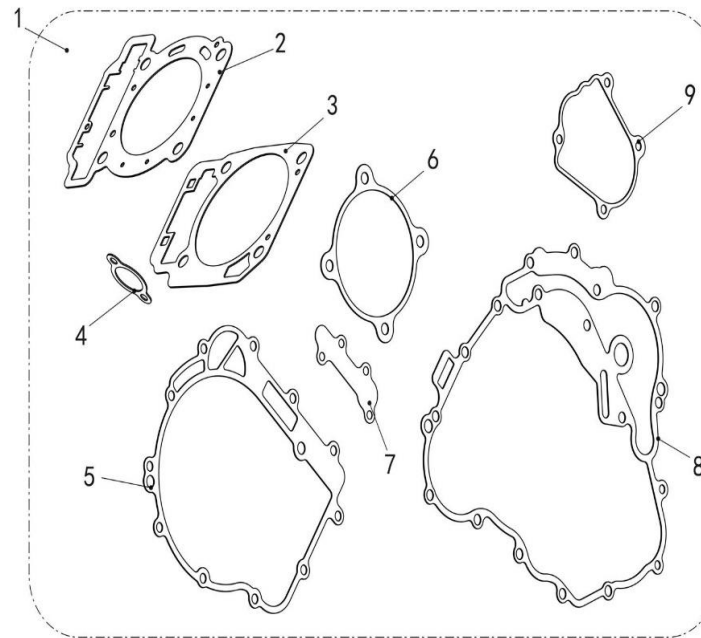


Fig.E28 Motorpakningssæt/Fragile gasket assy.

Ref. no.	PL nr / art. no.	Varenavn	Art. name	OE no.	Antal / pcs
1	9063283	Motorpakningssæt komplet	GASKET, ASSY.	38192	
2	N/A	Toppakning	GASKET, CYLINDER HEAD	38023	1
3	N/A	Cylinderpakning	PAPER WASHER CYLINDER BODY	38043	1
4	N/A	Pakning knast kædestrammer	GASKET, TENSIONER	35158	1
5	N/A	Pakning CVT hus 1	PAPER GASKET, CVT CASE 1	38076	1
6	N/A	Pakning CVT hus 2	PAPER GASKET, CVT CASE 2	38078	1
7	N/A	Pakning	PAPER WASHER	38058	1
8	N/A	Pakning krumtapshus venstre	GASKET, LEFT CRANKCASE COVER	38089	1
9	N/A	Pakning gearhus	GASKET, SECTOR GEAR HOUSING	35241	1