

VARENØ.: 9065103
Flishugger BX62

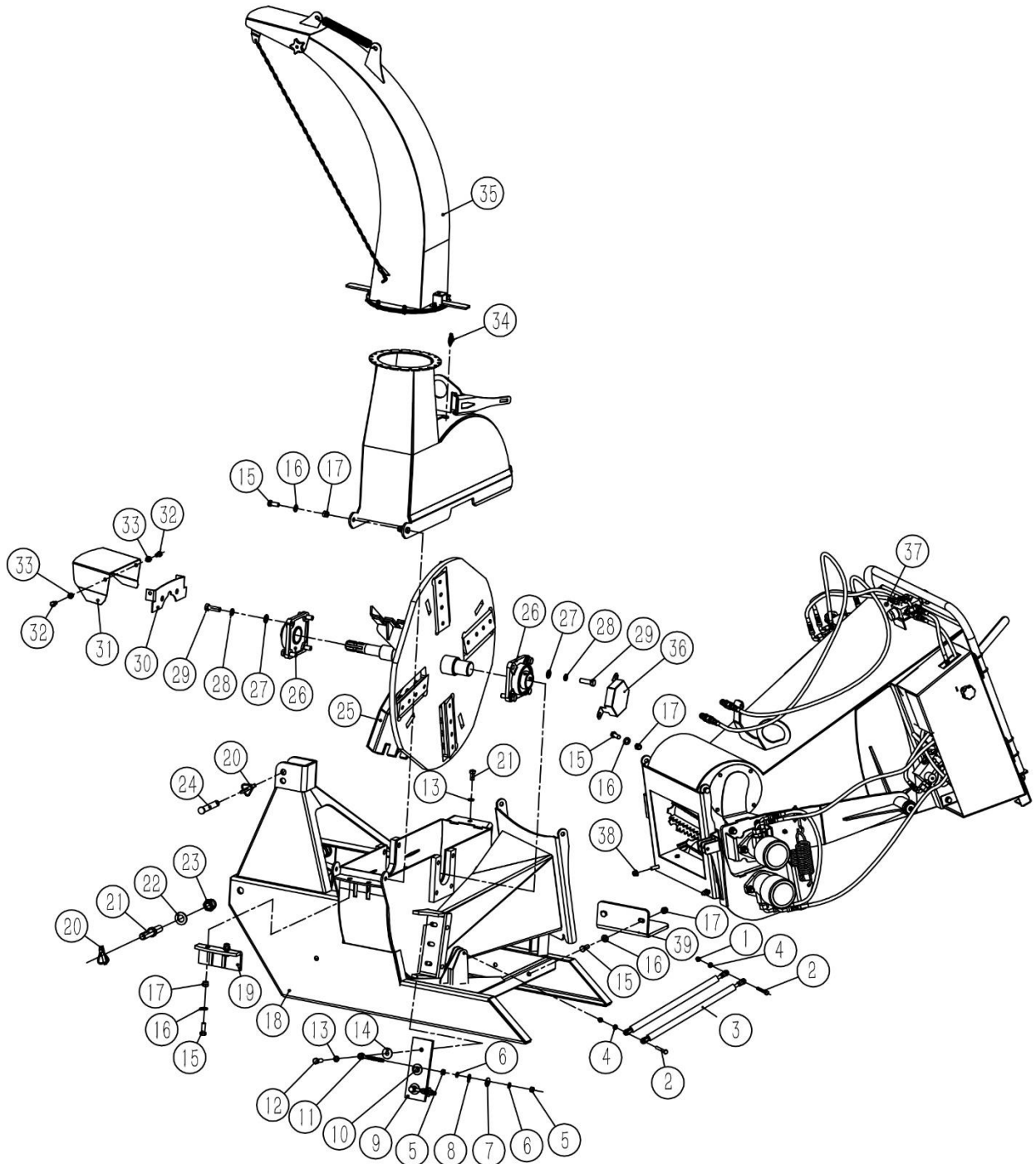
RESERVEDELØVERSIGT



Reservedeløversigt
Flishugger m/hydraulisk indføring BX62

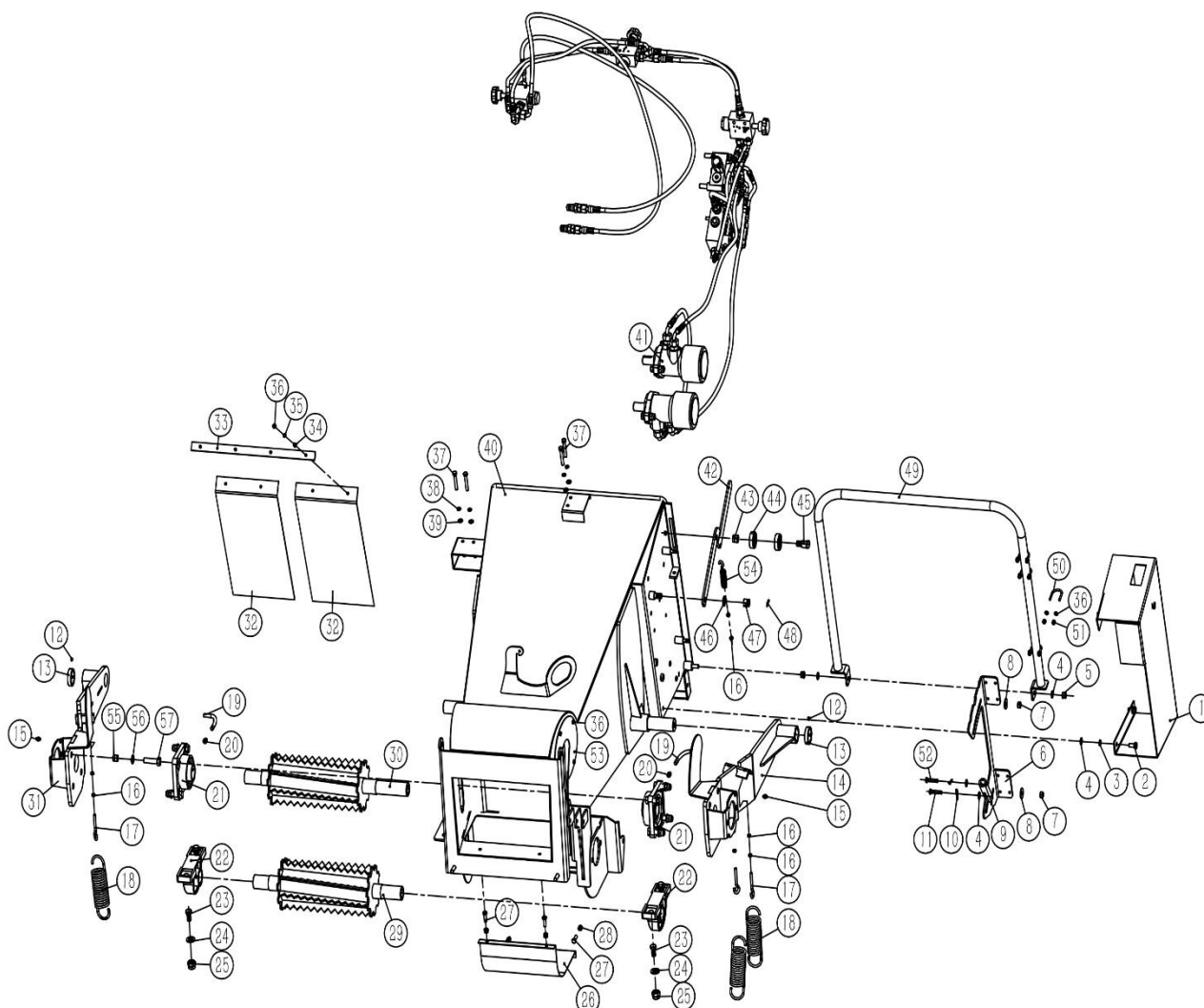


Fig 1.



Pos	Varenr / art. no.	Varenavn	Art. name	Antal / pcs
1	9050207	Møtrik M8	Nut M8	2
2	N/A	Bolt M8x65	Bolt M8x65	2
3	9065180	Gasstøddæmper	Gas spring	2
4	9050202	Skive M8	Washer 8	2
5	9050208	Møtrik M10	Nut M10	4
6	9042417	Fjederskive M10	Spring washer 10	4
7	9050199	Skærmskive M10	Big washer 10	4
8	9050203	Planskive M10	Plain washer 10	4
9	9065179	Modskær	Counter blade	1
10	9050250	Bolt M12x30x1,5	Bolt M12x30x1,5	1
11	N/A	Justerbolt f/modskær	Adjust bolt f/counter blade	2
12	9050251	Bolt M12x40x1,5	Bolt M12x40x1,5	2
13	9042417	Fjederskive M12	Spring washer 12	16
14	9050199	Skærmskive M12	Big washer 12	3
15	N/A	Bolt M12x35	Bolt M12x35	7
16	9050204	Planskive M12	Washer 12	12
17	9051675	Låsemøtrik M12	Locking Nut 12	12
18	N/A	Ramme	Bottom seat weldment	1
19	N/A	Beslag	Side blade weldment	1
20	9020543	Split M10	Lock pin 10	3
21	9013741	Redskabsbolt Kat 1-2	Down pin M22x1,5	2
22	N/A	Skive M22	Spring washer	2
23	N/A	Møtrik M22x1,5	Nut 22x1,5	2
24	9063497	Topstangsbolt kat 1	Pin shaft	1
25	N/A	Svinghjul komplet m/knive	Fly wheel assemble	1
26	9044314	Flangeleje UCFU210	Bearing UCFU210 with seat	2
27	N/A	Planskive M14	Plain washer 14	8
28	9042417	Fjederskive M14	Spring washer 14	8
29	N/A	Bolt M14x45x1,5	Bolt M14x45x1,5	8
30	N/A	Beslag	Bracket	1
31	N/A	PTO-afskærmning	PTO cover	1
32	9050240	Bolt M10x20	Bolt M10X20	2
33	9050215	Låsemøtrik M10	Locking nut 10	2
34	N/A	Låsetap	Lock pin 5	1
35	N/A	Afgangstud	Discharge port assemble	1
36	N/A	Beskyttelsesdæksel	Bearing cover	1
37	N/A	Indføringstragt komplet	Hopper assemble	1
38	9050215	Møtrik M10	Nut M10	2
39	N/A	Fod	Stand feet	1

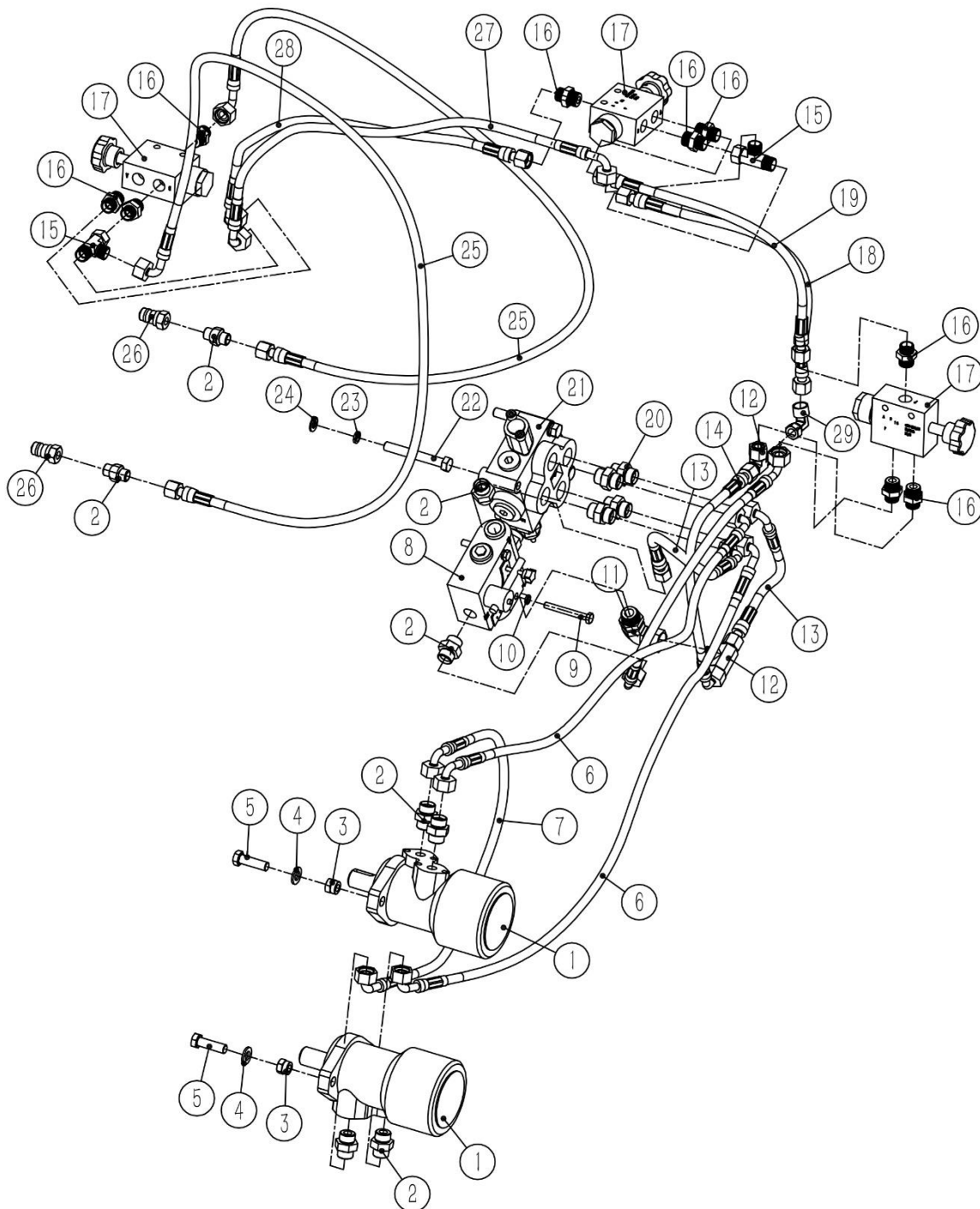
Fig 2.



Pos	Varenr / art. no.	Varenavn	Art. name	Antal / pcs
1	N/A	Afskæringsplade	Cover weldment	1
2	9050240	Bolt M10x20	Bolt M10x20	3
3	9042417	Fjederskive	Spring washer	3
4	9050203	Planskive M10	Plain washer 10	5
5	9050215	Låsemøtrik M10	Locking nut 10	2
6	N/A	Justeringsplade	Adjust seat	1
7	9050208	Møtrik M10	Nut 10	2
8	9050199	Skærmskive M10	Big plain washer	2
9	N/A	Arm til ventil	Bar f/valve	1
10	9037424	Split 5x20	Cotter pin 5x20	2
11	N/A	Topstangsbolt	Pin shaft f/valve	1
12	N/A	Bolt M6x8	Bolt M6x8	2
13	N/A	Låsering	Axis circlip	2
14	N/A	Arm venstre	Left arm weldment	1

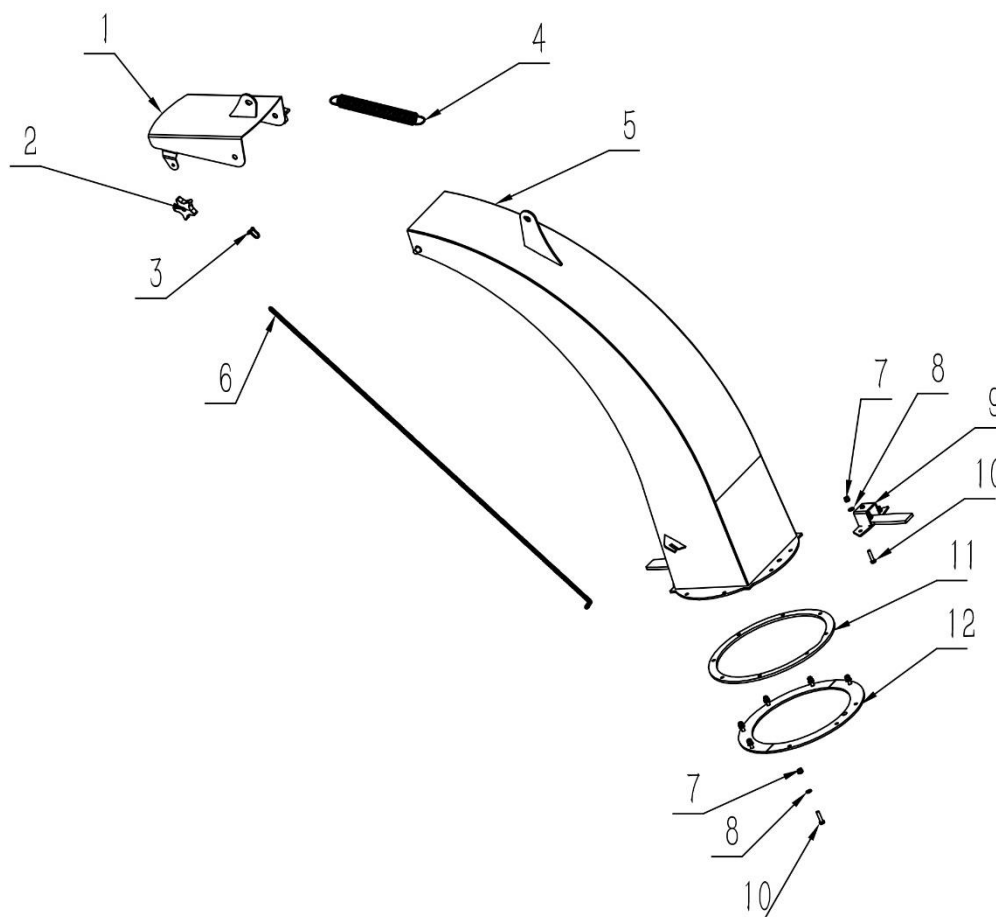
Pos	Varenr / art. no.	Varenavn	Art. name	Antal / pcs
15	9037437	Smørenippel	Grease nipple	2
16	9050207	Møtrik M8	Nut M8	8
17	N/A	Krog f/fjeder	Drag hook	4
18	9065198	Trækfjeder f/indføring	Pull spring	3
19	N/A	Smøreslange	Grease lube 6	2
20	N/A	Samler	Locker type connector	2
21	9044312	Flangeleje UCFU208	Bearing UCFU208 w/seat	2
22	9044329	Ståleje UCP208	Bearing UCP208 w/seat	2
23	N/A	Bolt M16x55	Bolt M16x55	4
24	9050205	Planskive M16	Plain washer	4
25	9050217	Låsemøtrik M16	Locking nut 16	4
26	N/A	Underplade beskyttelse	Cover weldment	1
27	9050231	Bolt M8x20	Bolt M8x20	4
28	9050214	Låsemøtrik M8	Locking nut M8	8
29	N/A	Indtræksrulle nederst	Down roller	1
30	N/A	Indtræksrulle øverst	Up roller	1
31	N/A	Arm højre	Right arm weldment	1
32	N/A	Gummiplade	Rubber plate	2
33	N/A	Monteringsplade	Plate	1
34	9042417	Fjederskive M6	Spring washer	8
35	9050201	Planskive M6	Plain washer	8
36	N/A	Bolt M6x12	Bolt m6x12	4
37	N/A	Bolt M8x55	Bolt M8x55	6
38	9042417	Fjederskive M8	Spring washer	6
39	9050202	Planskive M8	Plain washer	6
40	N/A	Indføringstragt	Hopper weldment	1
41	N/A	Hydrauliksystem	Hydraulic system	1
42	N/A	Låsehåndtag	Adjust bar	1
43	N/A	Låsemøtrik M14	Locking nut M14	1
44	N/A	Leje 61804-2RS	Bearing 61804-2RS	2
45	N/A	Leje aksel	Bearing pin	1
46	N/A	Planskive M14	Plain washer	2
47	N/A	Møtrik M14	Nut M14	1
48	9037424	Split 3,2x20	Cutter pin 3,2x20	1
49	N/A	Bøjle f/frem&retur indløb	Pull hand weldment	1
50	N/A	U-bøjle	U bolt	4
51	9050213	Låsemøtrik M6	Lock nut M6	8
52	N/A	Topstangsbolt	Pin shaft f/valve core rod	1
53	N/A	Dæksel	Cover	1
54	N/A	Trækfjeder 1	Pull spring 1	1
55	9051675	Låsemøtrik M12	Lock nut 12	8
56	9050204	Planskive M12	Plain washer	8
57	N/A	Bolt M12x45	Bolt 12x45	8

Fig 3.



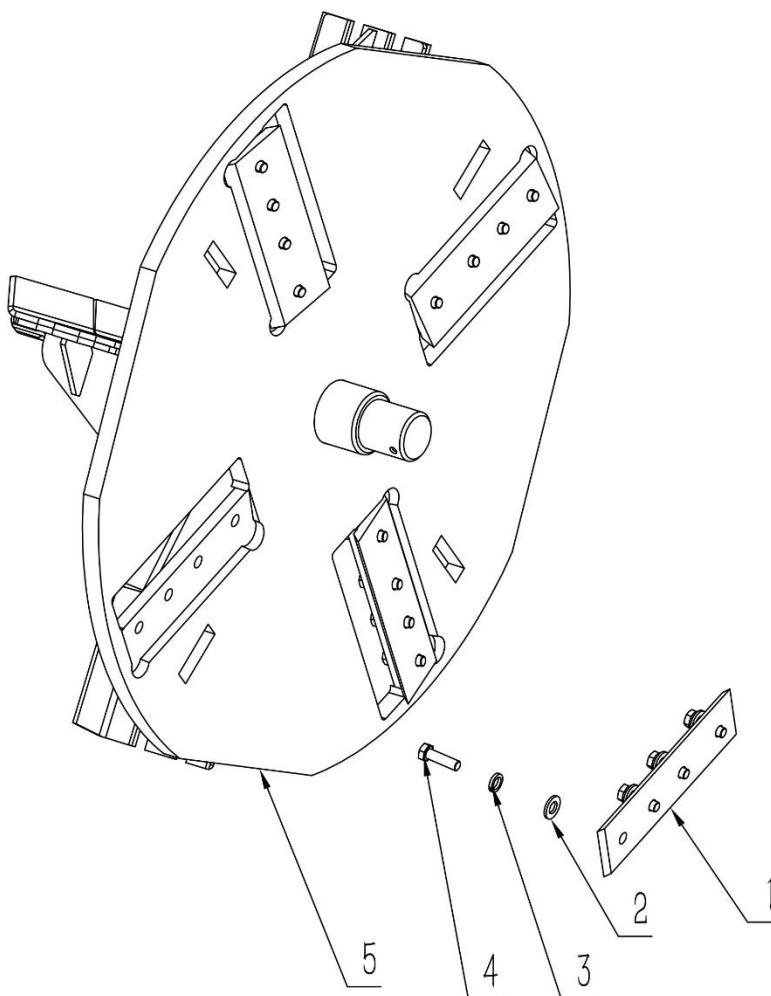
Pos	Varenr / art. no.	Varenavn	Art. name	Antal / pcs
1	9065181	Hydraulikmotor f/indføring	Hydraulic engine	2
2	9047002	Brystnippel M18x1/2	Connection M18x1,5-G1/2	6
3	9051675	Låsemøtrik M12	Locking nut M12	4
4	9050204	Planskive M12	Plain washer 12	4
5	N/A	Bolt M12x45	Bolt M12x45	4
6	N/A	Hydraulikslange 1, L=1100	Oil pipe 1 L = 1100	2
7	N/A	Hydraulikslange 2, L=700	Oil pipe 2 L = 700	1
8	9065182	Hydraulik reguleringsventil	Flow control valve	1
9	N/A	Bolt M8x65	Bolt M8x65	2
10	9042417	Fjederskive M8	Spring washer	2
11	N/A	Bøjning hydraulik M18x1,5-G1/2	Connection elbow M18x1,5-G1/2	1
12	N/A	T-stykke hydraulik M18x1,5	Three-way joint M18x1,5	2
13	N/A	Hydraulikslange 3, L=300	Oil pipe 3 L = 300	2
14	N/A	Hydraulikslange 5, L=350	Oil pipe 5 L = 350	1
15	N/A	T-stykke hydraulik M18x1,5	Three-way joint M18-1,5	2
16	N/A	Nippel M18x1,5x3/4	Direct head 3/4-18x1,5	9
17	N/A	Nødstopventil	Emergency stop valve	3
18	N/A	Hydraulikslange 7, L =620	Oil pipe 7 L = 620	1
19	N/A	Hydraulikslange 8, L=550	Oil pipe 8 L = 550	1
20	N/A	Muffe M18-M27x2	M18x1,5x27x2	4
21	N/A	Ventil	Control valve	1
22	9050245	Bolt M10x70	Bolt M10x70	3
23	9042417	Fjederskive M10	Spring washer 10	3
24	9050203	Planskive M10	Plain washer	3
25	N/A	Hydraulikslange 4, L=3600	Oil pipe L = 3600	2
26	N/A	Hydraulikkobling	G ½ Quick couple	2
27	N/A	Hydraulikslange 6, L=500	Oil pipe 6 L = 500	1
28	N/A	Hydraulikslange 9, L=410	Oil pipe 9 L = 410	1
29	N/A	Bøjning M18x1,5	M18x1,5	1

Fig 4.



Pos	Varenr / art. no.	Varenavn	Art. name	Antal / pcs
1	N/A	Klap f/udkasttud	Discharge port cover weld	1
2	N/A	Justerhåndtag M10	Handle M10x40	2
3	N/A	Splitbolt	Type D unloading	1
4	N/A	Trækfjeder	Drag spring	1
5	N/A	Udkasttud	Discharge port weldment	1
6	N/A	Stang f/udkastjustering	Short loop chain	1
7	9050206	Møtrik M6	Nut M6	8
8	9050201	Planskive M6	Plain washer	8
9	N/A	Låsehåndtag	Lock catch	1
10	N/A	Bolt M6x25	Bolt M6x25	8
11	N/A	Skive 1	Slip	1
12	N/A	Skive 2	Down slip	1

Fig 5.



Pos	Varenr / art. no.	Varenavn	Art. name	Antal / pcs
1	9065178	Kniv	Knife	4
2	9050204	Planskive M12	Plain washer	16
3	N/A	Fjederskive	Spring washer	16
4	N/A	Bolt M10x20	Bolt M10x20	16
5	N/A	Svinghjul	Fly wheel weldment	1