

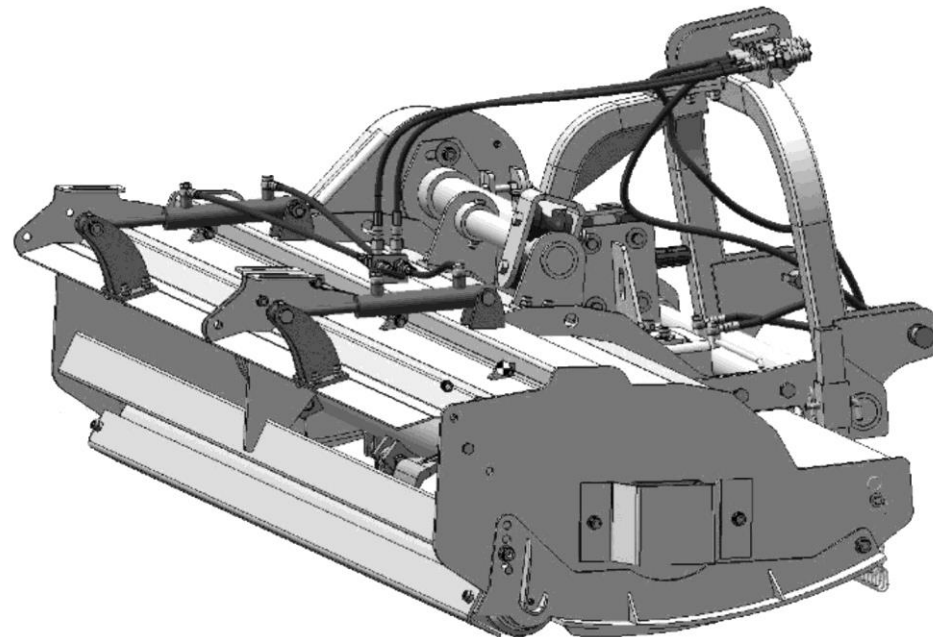
JORD & MARK



AHEAD KDK300

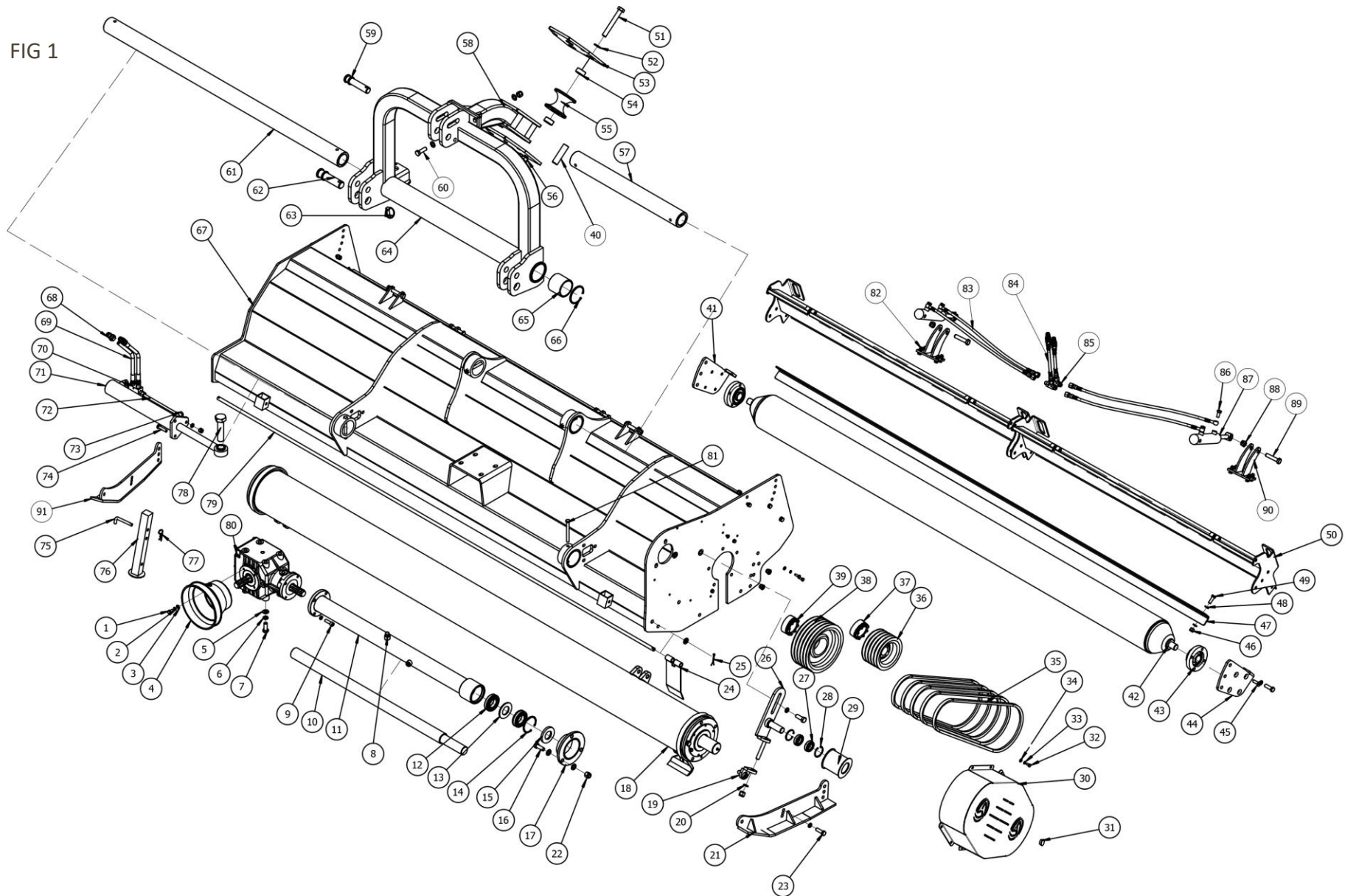
SLAGLEKLIPPER

Reservedelskatalog til
KDK300 slagleklipper med
hydraulisk sideforskydning,
300 cm arbejdsbredde.
9063085



14.11.2020 (V1)
revideret 16.05.2024 (V2)

FIG 1



Kontakt
 Tlf Salgsafdeling: 7021 2626
 Tlf Teknisk support: 7696 2326

P. Lindberg A/S
 Sdr. Ringvej 1
 DK - 6600 Vejen

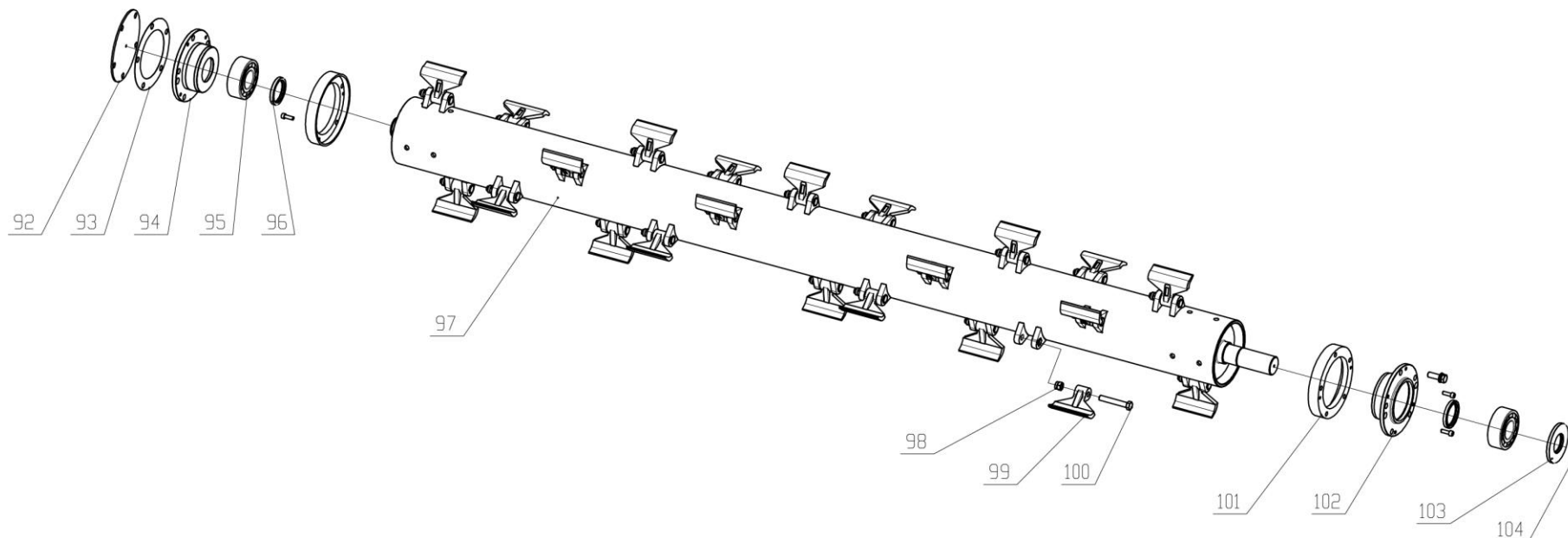
RES 9063085 DKV2
 www.p-lindberg.dk
 e-mail: salg@p-lindberg.dk

DELE TIL FIG 1

Pos	Varenr / item no.	Varenavn	Item name	OE	stk/pcs
1	9050240	Bolt, M10x20	Bolt M10x15		4
2	9050203	Planskive, M10	Washer 10		12
4	9068114	PTO-afskærmning	PTO cover	FM150.120	1
9	9050241	Bolt, M10x30	Bolt M10x30		4
10	9060187	Aksel, vinkelgear-remskive	Shaft	KDK300.15.3	1
11	9060188	Akselrør	Shaft cover weldment	KDK300.15.1	1
12	N/A	Leje, 6210-1RS	Bearing, 6210-1RS	GB/T276-1994, 6210-1RS	2
14	9060189	Låsering 90	Circlip 90	GB/T893.1	1
15	9060190	Pakdåse, 50x90x10	Oil seal, 50x90x10	GB/T13871-50*90*10	1
17	9060252	Bøsning	Bushing	KDK300.7	1
18	9060254	Hovedaksel inkl. slagler	Rotor weldment	KDK300.12.1	1
19	9060255	Plade f/remstrammer	Tension plate	KDK300.10	1
21	9060256	Slæbesko, højre	Skid (R)	KDK300.6	1
25	9037424	Split	Cotter pin		2
26	9060257	Remstrammer	Tension plate	KDK300.9-1	1
27	9038553	Leje, 6006-2RS	Bearing, 6006-2RS	GB/T276-1994, 6006-2RS	2
28	9060258	Låsering 55	Circlip 55	GB/T893.1-1994	2
29	9060259	Strammehjul	Tension roller	KDK300.26	1
35	9060260	Rem, SP1524	Belt SP1524	GB12732	5
36	9060261	Remskive, lille	Small pulley	KDK300.25	1
37	9060262	Taperlock, Ø60x90	Power lock, Ø60x90	JB/T7934Z3-60*90	1
38	9060263	Remskive, stor	Big pulley	KDK300.24	1
39	9068225	Taperlock, Ø45x80	Power lock, Ø45x80	JB/T7934Z3-45*80	1
40	9060264	Bøsning	Bushing	KDK300.3.3	1
41	9060265	Lejeholder f/bagrulle, højre	Connection plate f/roller (R)	KDK300.17	1
42	9060266	Bagrulle, 3 meter	Rear roller weldment	KDK300.11	1
43	9070125	Lejehus, komplet med leje UC207	Bearing seat & bearing, UC207	EFGC175.25A	2
44	9060267	Lejeholder f/bagrulle, venstre	Connection plate f/roller (L)	KDK300.16	1
45	9050250	Bolt, M12x30	Bolt M12x30		8
46	9050209	Møtrik, M12	Lock nut M12		14
48	9050204	Planskive, M12	Washer 12		14

Pos	Varenr / item no.	Varenavn	Item name	OE	stk/pcs
49	9050251	Bolt, M12x40	Bolt M12x40		6
54	N/A	Leje, 61904-2RS	Bearing 61904-2RS	GB/T276-1994, 61904-2RS	6
55	9060269	Støtterulle, sideforskydning	Roller	KDK300.3.2	3
56	N/A	Låsemøtrik, M24	Lock nut M24		1
57	9060340	Styrerør, kort	Short rail	KDK300.28	1
61	9060341	Styrerør, langt	Long rail	KDK300.27	1
65	9060342	Bøsning, nylon	Nylon sleeve	KDK300.2.3	2
66	9060343	Låsering 92	Circlip 92	GB/T896.1-1986	2
69	9060344	Hydraulikslange	Oil pipe 1	KDK300.33.1	2
70	N/A	Ventil	Valve		1
71	9060345	Hydraulikcylinder, sideforskydning	Cylinder	KDK300.31	1
74	9050252	Bolt, M12x50	Bolt 12x50		4
80	9060346	Vinkelgear	Gearbox	GEARBOX	1
82	9050241	Bolt, M10x30	Bolt M10x30		8
83	9060347	Hydraulikslange	Oil pipe 2	KDK300.33-2	4
84	9060348	Hydraulikslange	Oil pipe 3	KDK300.33-4	2
85	9060349	Hydraulik T-stykke	Couple connection	KDK300.33.3	2
87	9060352	Hydraulikcylinder f/bagklap	Cylinder f/rear door	KDK300.29	2
88	9050217	Låsemøtrik, M16	Lock nut M16		9
89	9050263	Bolt, M16x75	Bolt M16x75		2
91	9060353	Slæbesko, venstre	Skid (L)	KDK300.5	1
	9046726	PTO-aksel	PTO shaft		1

FIG 2



DELE TIL FIG 2

Pos	Varenr / item no	Varenavn	Item name	OE	stk/pcs
94	9060354	Lejehus, højre	Bearing seat (R)	KDK300.14	1
95	9060355	Leje 2312	Bearing 2312	GB281	2
96	9060190	Pakdåse, 50x90x10	Oil seal, 50x90x10	GB/T13871-94	2
97	9060254	Hovedaksel inkl. slagler	Rotor weldment	KDK300.12.1	1
98	9050949	Låsemøtrik, M16	Lock nut M16		26
99	9043087	Slagle	Hammer		26
100	9043086	Slaglebolt, M16x100	Bolt M16x100		26
101	9060361	Beskyttelsesring f/leje	Ring f/grass	KDK300.21	1
102	9060362	Lejehus, venstre	Bearing seat (L)	KDK300.13	1
103	9060363	Pakdåse, 60x130x10	Oil seal, 60x130x10	GB13871-94	1

Vi forbeholder os ret til uden foregående varsel at ændre de tekniske parametre og specifikationer for dette produkt