

Minigraver/excavator

Spareparts

Artikelnr 9058906

P-Lindberg



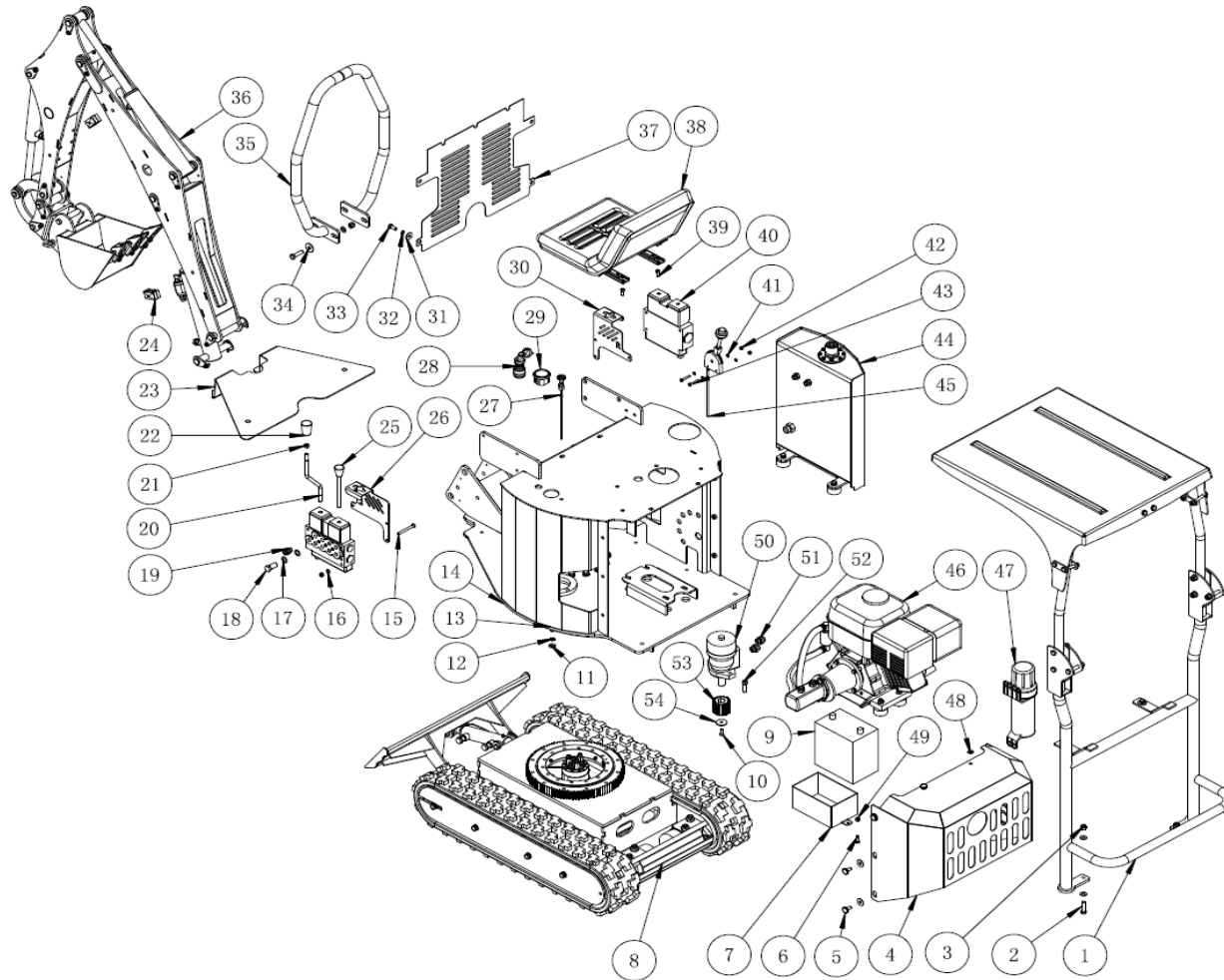
V2. Dk.

Indhold.		
		Side/page
Ramme	ME15-001 main Frame	
Understel	ME15-002 Chassis kit	8-9
Motor/pumpe	ME15-003 Engine kit	10-11
Gravearm	ME15-004 Swing arm	12-13
Olie tank	ME15-005 Oil tank	14-15
Tag/styrtbøjle	ME15-006 Rops	16-17
Hydraulikslanger	ME15-007 Hydraulik huse	18-19

Der kommer løbende nye reservedele i vores program
Så skulle der være en enkelt reservedel der ikke
er i denne oversigt, kan vi altid kontaktes pr telefon

Fig. 1

ME15-001 Main frame



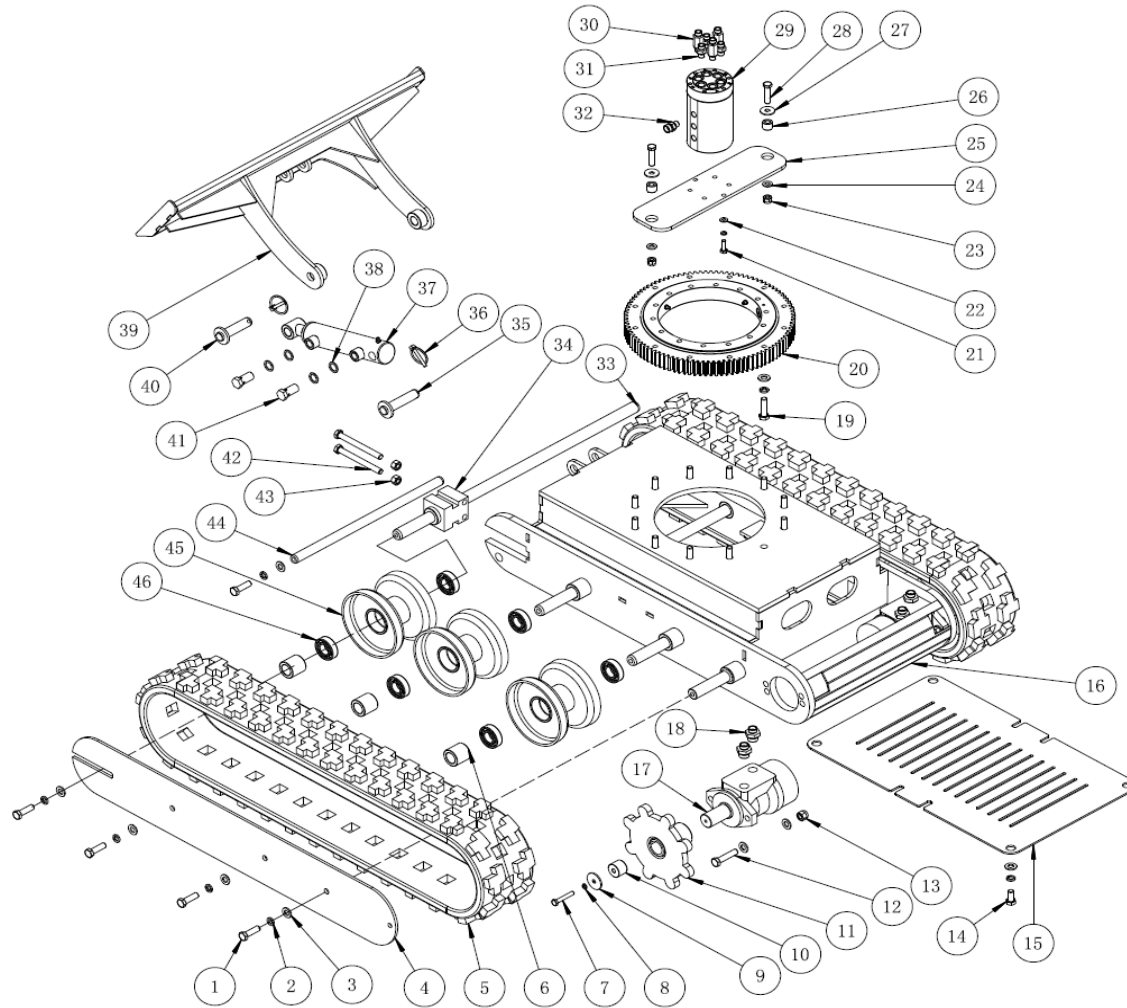
ME15-001 main Frame

Item	Parts number	Varenavn	Description
1			ROPS frame
2	9050251	Bolt M12X40	Bolt M12x40
3	9050216	Møtrik låse M12	Lock nut M12
4			Rear protection cover
5			Disc bolts 10*25
6			bolt M8*25
7			battery cover weldment
8			chassis frame
9	9063024	Batteri, 12V 18 Ah	battery
10			hex bolts M8*25
11	9050204	Planskive	plain washer12
12			spring washer
13	9050251	Bolt M12x40	bolets M12*40
14			Base frame
15	9050236	Bolt M8x70	hex bolts M8*70
16	9050202	Planskive	plain washer 8
17			bonded washer G3-8
18			hinge joint
19			fitting G3/8-M18x1.5
20	9059403	Håndtag	Operation handle
21	9050208	Møtrik M10	Nut M10
22	9059404	Knop	hand cover
23			foot pedal
24			pipe clamp
25	9059405	Håndtag	Operation handle
26			left limit plate
27	9062288	Choke kabel	throttle assembly

28	9059424	Tændings lås	start key kits
29	9062122	Timetæller	timer
30			right limit
31			washer 10
32			spring washer 10
33			bolts M10*25
34	9050204	Planskive	Plain washer M12
35			Protec frome
36			Swing arm kits
37			Cover
38			Seat
39	9050231	Bolt M8x20	Bolt M8*20
40	9059425	Ventilblok	Valve
41	9050201	Planskive	Plain washer 6
42	9050213	Møtrik låse M6	Lock nut M6
43	9050233	Bolt M6x40	Bolts M6*40
44			Oil tank kits
45	9061635	Gashåndtag incl kabel	Cabel kits
46			Engine kits
47			Operation manule box
48	9050203	Planskive	plain washer 10
49	9050214	Møtrik låse M8	lock nut M8
50	9059426	Krøjemotor	swing motor
51			fiting G1/2-M18
52			bolts on swing motor
53	9059427	Tandhjul/krøjemotor	swing gear
54			circle

Fig.2

ME15-002 Chassis kit



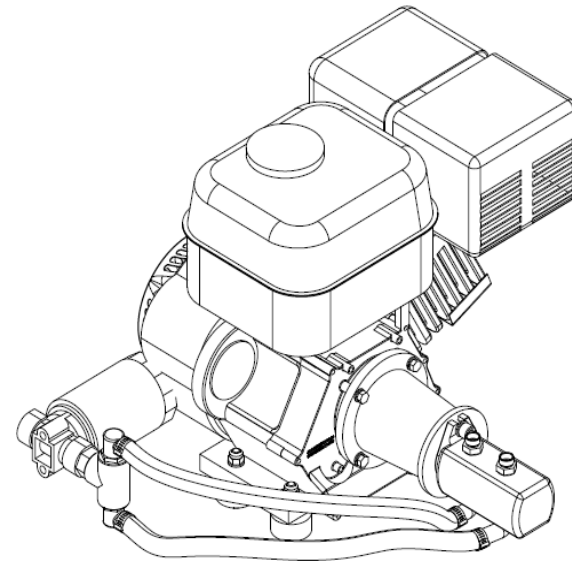
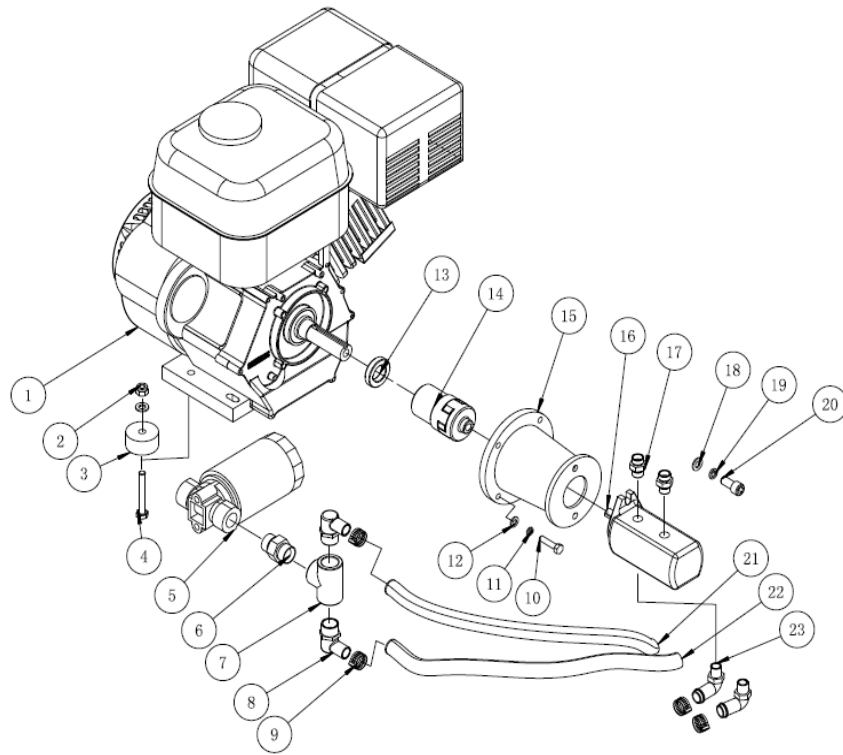
ME15-002 Chassis kit

Item	parts Number	Varenavn	Description
1	9050251	Bolt M12x40	Bolts M12*40
2			spring washer 12
3	9050204	Planskive	plain washer 12
4			side plate
5	9059447	Larvebånd	rubber track
6			sleeve for drive wheel
7	9050234	Bolt M8x50	Bolts M8*50
8			spring washer 8
9	9050202	Planskive	plain washer8
10			sleeve for drive motor
11			face plate weldment
12			Bolts M12*55
13	9050216	Møtrik låse M12	Lock nut M12
14			Bolts M12*25
15			bottom cover plate
16			chassia weldment
17	9059448	Hydraulikmotor fremdrift	dirve motor
17-1	9062414	Reperations sæt	Repair kit
18			fitting G1/2-M18
19			Bolts M12*45
20			swing bearing
21			bolts M8*25
22	9050202	Planskive	Plain washer8
23	9050215	Møtrik låse M10	lock nut M10
24	9050203	Planskive	plain washer10
25			distributor base plate
26			sleeve for distributor

27			plain washer
28			Bolts M10*45
29	9059449	Svirvel hydraulikfordeling	hydraulic distributor
30	9059450	Fitting G1/4-M14	fitting G1/4-M14
31	9059451	Fitting G1/4-M15	fitting G1/4-M14
32			fitting G1/4-M18
33			long shaft
34			adjust kits
35			pin
36			lock pin
37	9059453	Hydraulik cylinder	cylinder
38			bonded washe G3-8
39			mouldboard
40			pin
41			hinge joint
42			bolts M12*120
43			Bolts M12
44			connect pipe
45			support bracket
46	9038576	Leje	bearing 6205-2z

Fig.3

ME15-003 Engine kit

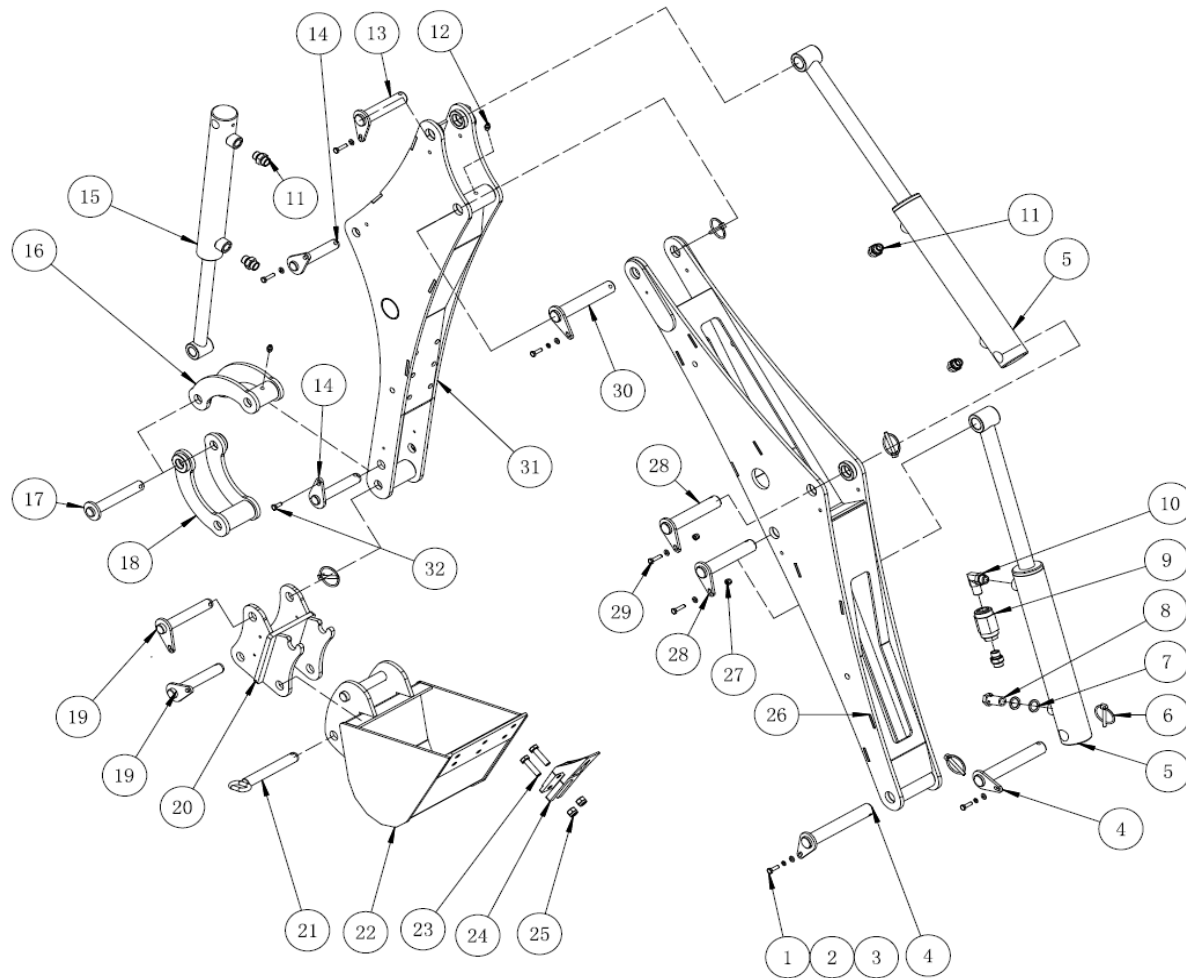


ME15-003 Engine kit

Item	parts number	Varenavn	Description
1	9059428	Motor 420 Ccm	Engine
2	9050215	Møtrik låse M10	lock nut M10
3			engine buffer
4	9050245	Bolt M10x70	BoltsM10*70
5			filter
6			fiting R3/4-R3/4
7			T-junction
8			elbow G3/4
9			Hose clamp
10			bolts
11			spring washer
12			plain washer
13			sapcer
14	9059429	Kobling motor/hydraulikpumpe	coupling
15			holder bracket
16	9059430	Hydraulikpumpe	pump
17			fiting G3/8-M18x1.5
18	9050203	Planskive	plain washer10
19			spring washer10
20			bolts M12*25
21			oil hose 470mm
22			oil hose 600mm
23			elbow G1/2

Fig.4

ME15-004 Swing arm



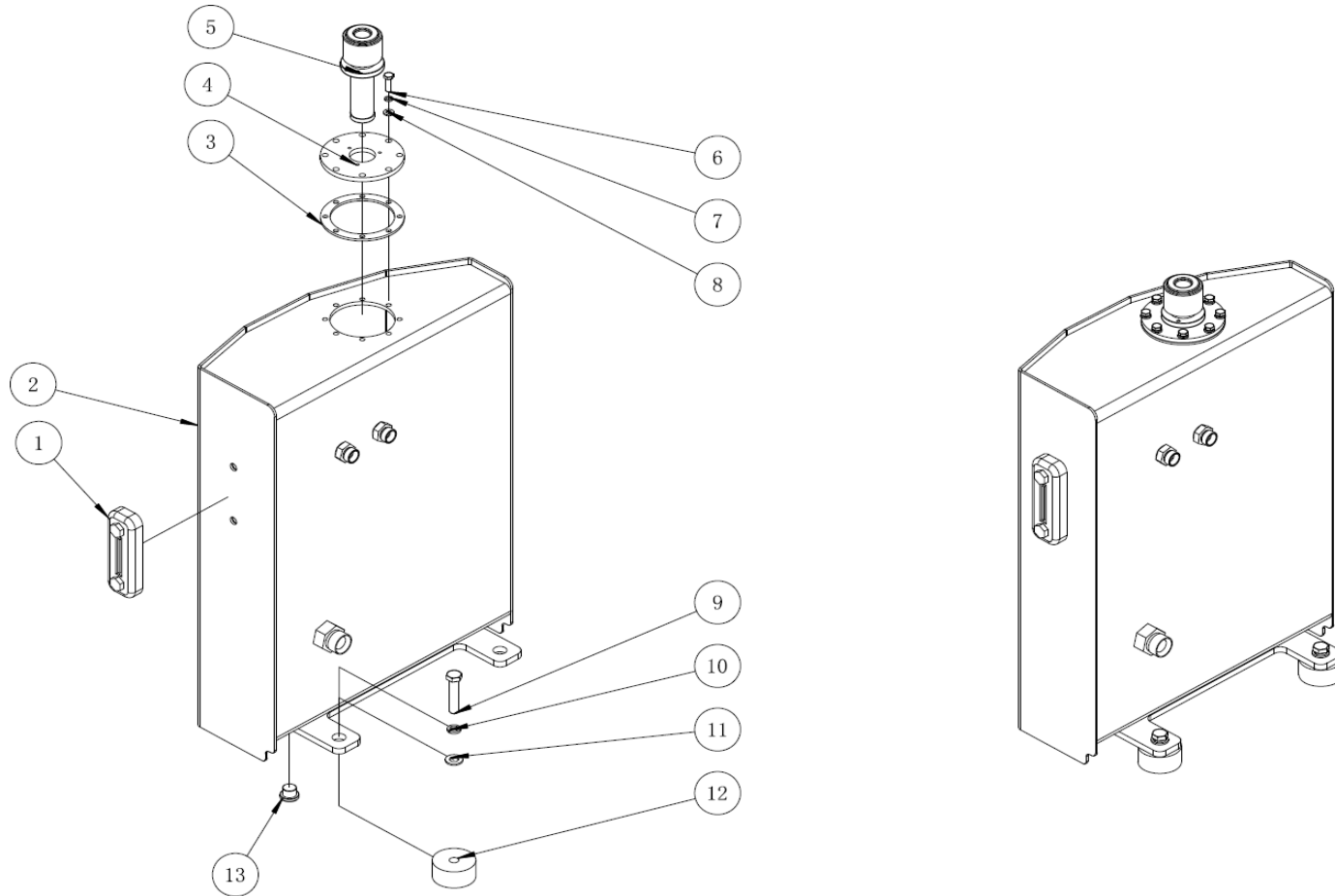
ME15-004 Swing arm

Item	Parts number	Varenavn	Description
1	9050221	Bolt M6x20	Bolts M6*20
2			Sping washer6
3	9050201	Planskive	Plain wahser6
4			pin
5	9059432	Hydraulikcylinder	boom cylinder
6	9020541	Ringsplit	lock pin
7			bonded washerG3-8
8			Hinge Jiont
9	9059433	Slangebrudsventil	restrictor valve
10			G3/8 Fitting
11			fitting
12			nipple
13			pin
14			pin
15	9059434	Hydraulikcylinder	bucket cylinder
16			moon brakcet weldment
17			pin
18			moon brakcet weldment
19			pin
20			quickt hitch weldment
21			pin
22			Bucket B200
23	9050242	Bolt M10x40	Bolts m10*40
24	9062300	Tand løs til graveskovi	Bucket teeth
25	9050215	Møtrik låse M10	lock nut M10
26			boom weldment
27			pin

28			pin
29			bolts M6*24
30			pin
31			arm weldment
32			Bolts M6*16

Fig.5

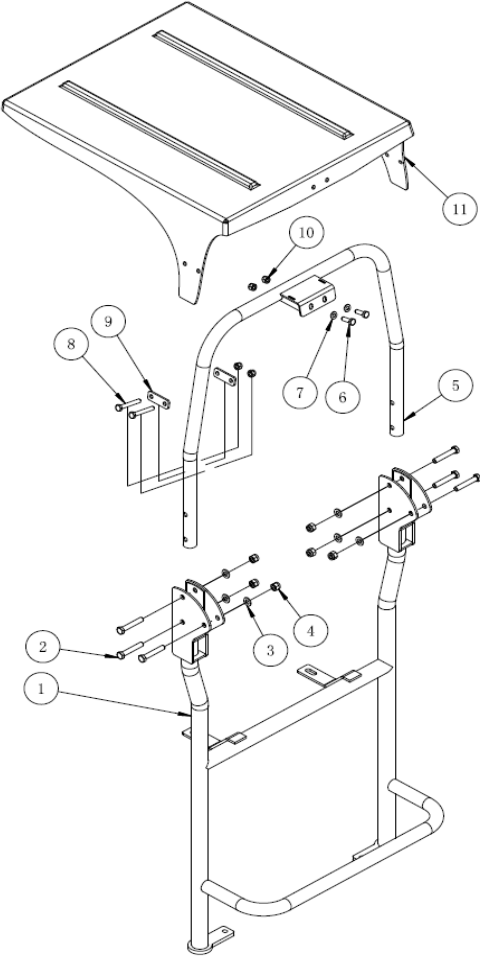
ME15-005 Oil tank



ME15-005 Oil tank			
item	parts number	Varenavn	Description
1	9059435	Skueglas oliestand / Temperaturmåler	oil level indicator
2			oil tank weldment
3			rubber cover
4			cover
5	9059436	Påfyldingsdæksel/udluftning's filter	filter
6	9050221	Bolt M6x20	bolts M6*20
7			spring washer 6
8	9050201	Planskive	plain washer 6
9	9050243	Bolt M10x50	bolts M10*50
10			spring washer10
11	9050203	Planskive	plain washer10
12			engine buffer
13			Bolts M16*1.5

Fig.6

ME15-006 Rops

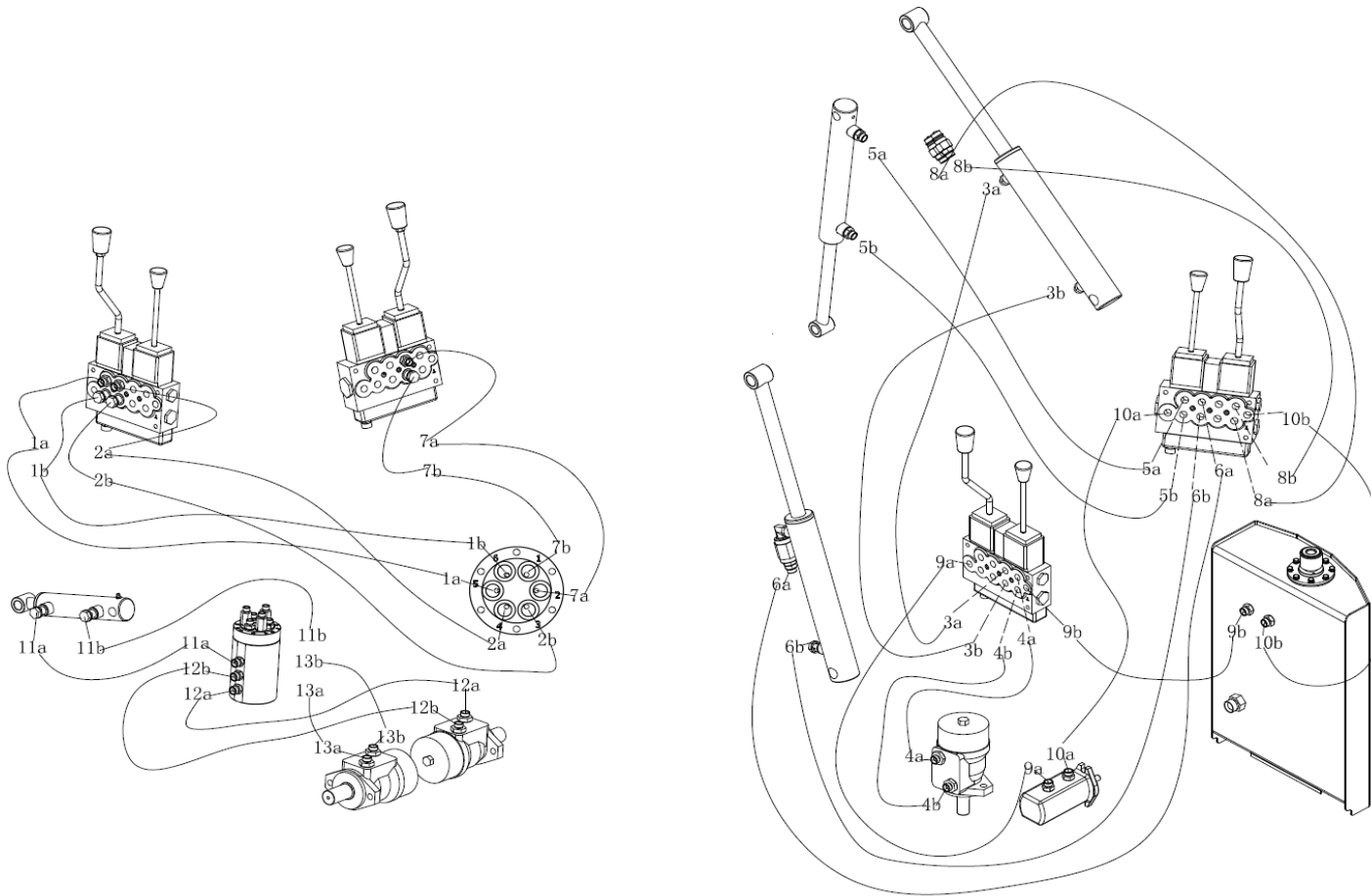


ME15-006 Rops

Item	Parts number	Varenavn	Description
1			ROPS weldment
2	9050254	Bolt M12x70	Bolts M12*70
3	9050204	Planskive	Plain washer12
4	9051675	Møtrik låse M12	lock nut M12
5			upper supprt brakcet
6	9050241	Bolt M10x30	Bolts M10*30
7	905020	Planskive	plain washer10
8	9050245	Bolt M10x70	Bolts M10*70
9			fixed plate
10	9050215	Møtrik låse M10	lock nut M10
11	9062601	Tag	sunshade

Fig.7

ME15-007 Hydraulic hose



ME15-007 Hydraulic hose

Item	Part number	Varenavn	Description
1a			valve to dozer blade L= 910
1b			valve to dozer blade L= 910
2a			valve to left drive motor L=910
2b			valve to left drive motor L=910
3a			valve to arm L=2400
3b			valve to arm L=2100
4a			valve to swing motor L=1000
4b			valve to swing motor L=1000
5a			valve to bucket L=2900
5b			valve to bucket L=3200
6a			valve to boom L1600
6b			valve to boom L=1300
7a			valve to drive motor L=910
7b			valve to drive motor L=910
8a			outlet hose L=2700
8b			outlet hose L=2700
9a			valve to pump L=1200
9b			valve to oil tank L=1300
10a			valve to pump L=1200
10b			valve to oil tank L=1300
11a			dozer blade to distributor L=720
11b			dozer blade to distributor L=600
12a			right drive motor to distributor L=740
12b			right drive motor to distributor L=740
13a			left drive motor to distributor L=740
13b			left drive motor to distributor L=740