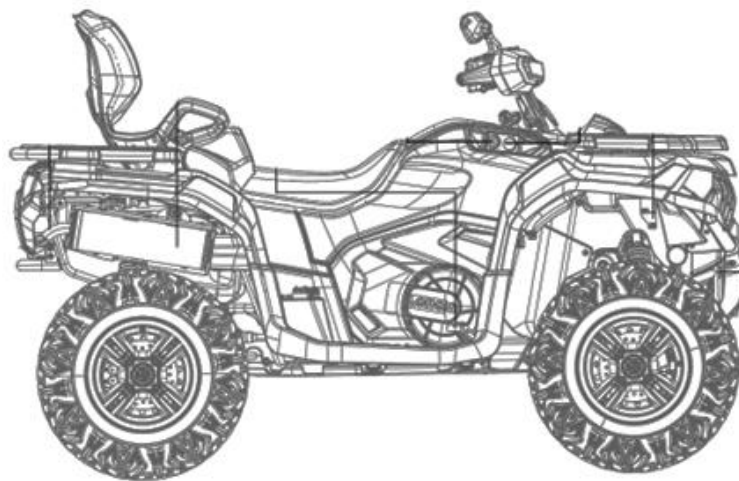


ATV



LONCIN ATV XWOLF 700L



Reservedelskatalog

Kataloget dækker flg. varenumre:
9069225

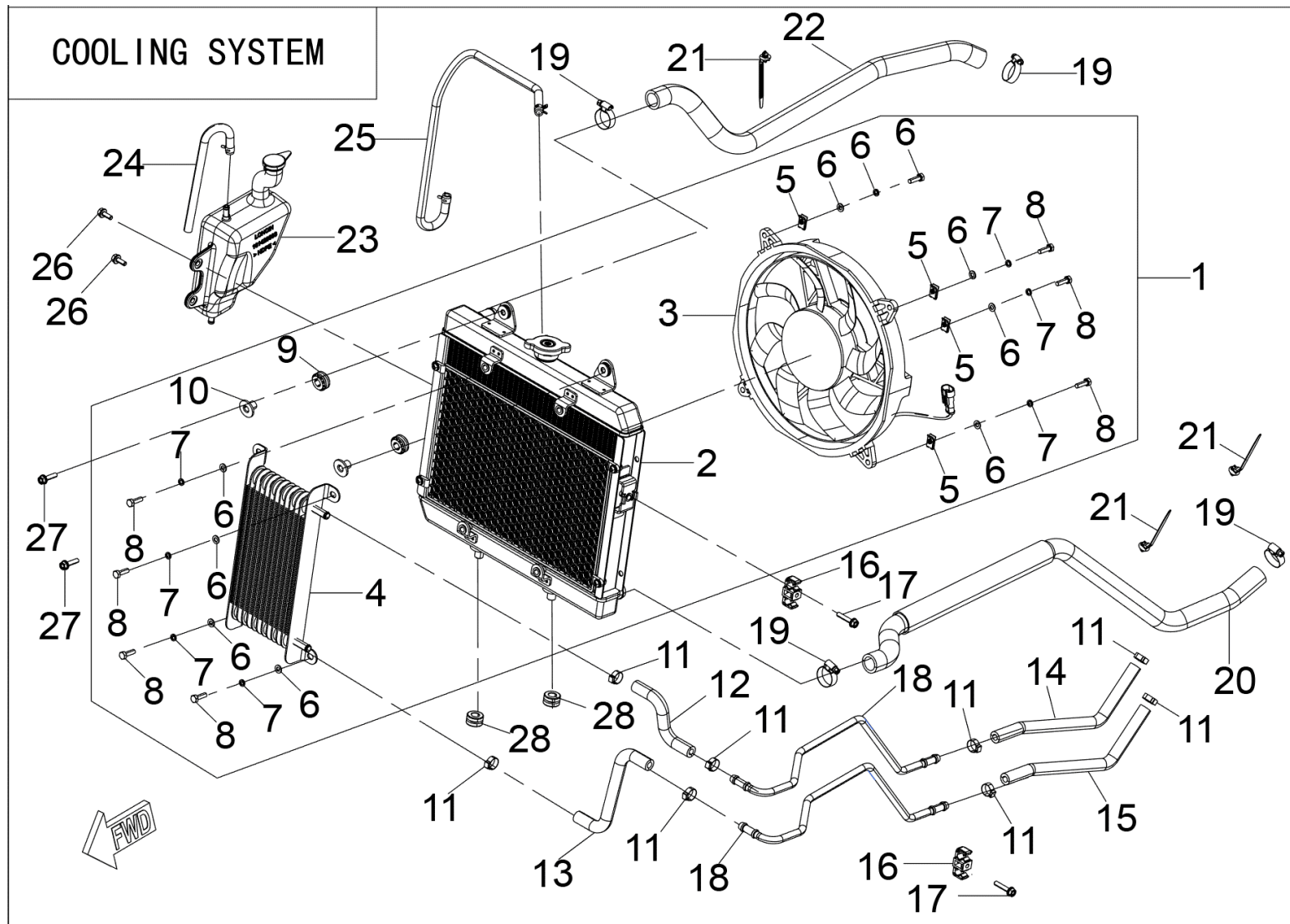
LONCIN

04.07.2024 V1

INDHOLDSFORTEGNELSE / CONTENTS

	CHASSIS / BODY		MOTOR / ENGINE		
<i>Figur 1</i>	Kølesystem / Cooling system	2	<i>Figur E1</i>	Venstre krumtap / Left crankcase	52
<i>Figur 2</i>	Brændstoftank / Fuel tank	4	<i>Figur E2</i>	Højre krumtap / Right crankcase	54
<i>Figur 3</i>	Luftfilter / Air cleaner	6	<i>Figur E3</i>	Venstre krumtaphus / Left crankcase cover	56
<i>Figur 4</i>	Udstødning - lyddæmper / Exhaust - muffler	8	<i>Figur E4</i>	Højre krumtaphus / Right crankcase cover	58
<i>Figur 5</i>	Gearstang / Reverse gear shift device	10	<i>Figur E5</i>	Cylinder / Cylinder	59
<i>Figur 6</i>	Motor / Engine	12	<i>Figur E6</i>	Cylinderhoved / Cylinder head	60
<i>Figur 7</i>	Transmission (1) / Transmission, front (1)	14	<i>Figur E7</i>	Krumtapaksel / Crankshaft & connecting rod	62
<i>Figur 8</i>	Transmission (2) / Transmission, rear (2)	17	<i>Figur E8</i>	Knastaksel / Camshaft	64
<i>Figur 9</i>	Elektriske dele (1) / Electrical (1)	20	<i>Figur E9</i>	Oliesmøring / Lubricating system	66
<i>Figur 10</i>	Elektriske dele (2) / Electrical (2)	23	<i>Figur E10</i>	Kølesystem / Cooling system	68
<i>Figur 11</i>	Forlygter / Headlight	24	<i>Figur E11</i>	Kobling / Clutch	69
<i>Figur 12</i>	Baglygter / Tail light	25	<i>Figur E12</i>	Hovedaksel & udgangsaksel / Main shaft & countershaft	70
<i>Figur 13</i>	Bremsesystem / Brake system	26	<i>Figur E13</i>	Transmission / Transmission	72
<i>Figur 14</i>	Venstre forhjul / Left front wheel	29	<i>Figur E14</i>	Speed kontrol / Speed control	74
<i>Figur 15</i>	Højre forhjul / Right front wheel	30	<i>Figur E15</i>	Start motor / Starting system	76
<i>Figur 16</i>	Venstre baghjul / Left rear wheel	31	<i>Figur E16</i>	Remtræk / Belt driving assy	77
<i>Figur 17</i>	Højre baghjul / Right rear wheel	32	<i>Figur E17</i>	Generator / Generator	78
<i>Figur 18</i>	Stel / Frame	33			
<i>Figur 19</i>	Forhjulsophæng / Front hanger system	35			
<i>Figur 20</i>	Bagtøj / Rear hanger system	37			
<i>Figur 21</i>	Styr / Steering	39			
<i>Figur 22</i>	Sæde / Seat	41			
<i>Figur 23</i>	Bagagebærer / Luggage carrier	43			
<i>Figur 24</i>	Fodhvilere / Footrest	45			
<i>Figur 25</i>	For kofanger / Front fender	46			
<i>Figur 26</i>	Skærmdele / Covering parts	49			

FIGUR 1
- KØLESYSTEM



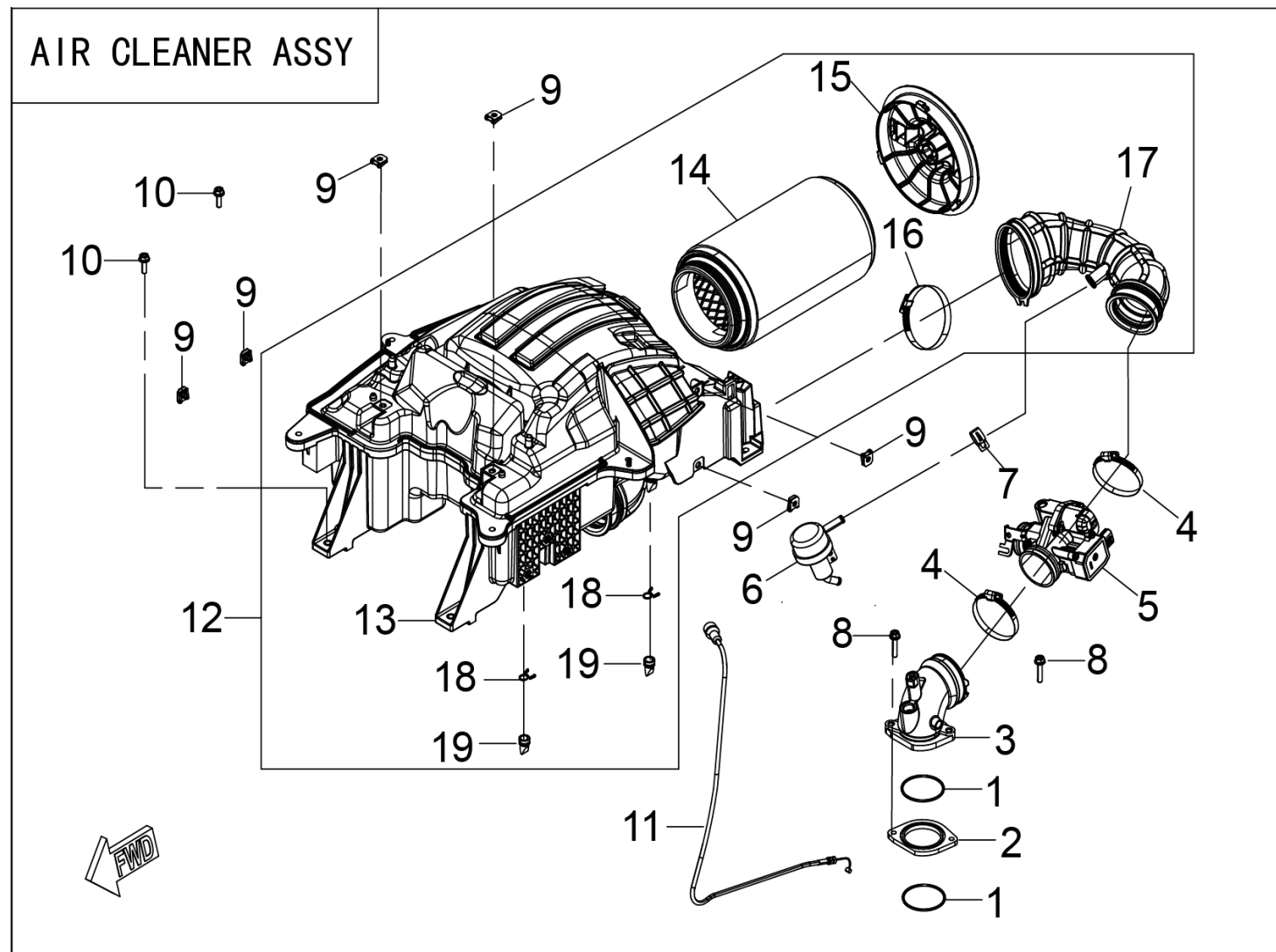
DELE TIL FIG 1

Pos	Varenr / item no	Varenavn	Item name	OE	stk / qty
1	N/A	Køler, komplet	RADIATOR COMP.	160010181-0001	1
2	9070535	Køler	HEAT RADIATOR	161440005-0001	1
3	9070536	Blæser	FAN ASSY.	160240059-0001	1
4	9070537	Oliekøler	CONDENSER ASSY., OIL	150720004-0001	1
5	9071072	Møtrik M6	NUT, CLIP	380420035-0001	4
6	N/A	Skive	WASHER, PLAIN	380450004-0001	8
7	N/A	Gummiskive	WASHER, ELASTIC	380460003-0001	8
8	N/A	Bolt	BOLT, HEXAGON	380070012-0001	8
9	9070538	Gummistykke ved køler	I-RUBBER	380890378-0001	2
10	N/A	Skive	WASHER, FLANGE	380470136-0001	2
11	N/A	Clamp	CLAMP, TUBE	380950405-0001	8
12	N/A	Oliekølerslange	LUBRICANT TUBE	161460015-0001	1
13	9070539	Oliekølerslange (1)	LUBRICANT TUBE	161460018-0001	1
14	9070540	Oliekølerslange (2)	LUBRICANT TUBE	161460017-0001	1
15	9070541	Oliekølerslange (3)	LUBRICANT TUBE	161460020-0001	1
16	N/A	Spændebånd	HOOP	380970267-0001	2
17	N/A	Bolt	BOLT, HEXAGON FLANGE	380140054-0011	2
18	9070542	Oliekølerslange (4)	LUBRICANT TUBE	161460016-0001	2
19	N/A	Spændebånd	HOOP ASSY.	380960206-0001	4
20	9070543	Kølerslange (1)	COOL WATER TUBE	161740023-0001	1
21	N/A	Kabelbinder	BAND	380900267-0001	3
22	9070544	Kølerslange (2)	COOL WATER TUBE	161740022-0001	1
23	9070545	Ekspansionsbeholder	SUPPLEMENTARY CAN	161420003-0001	1
24	N/A	Kølerslange	COOL WATER TUBE	161740024-0001	1
25	9070546	Kølerslange (3)	COOL WATER TUBE	161740025-0001	1
26	N/A	Bolt	BOLT, HEXAGON FLANGE	380140013-0013	2
27	N/A	Bolt	BOLT, HEXAGON FLANGE	380140103-0015	2
28	9070431	Gummistykke	I-RUBBER	380890129-0001	2

DELE TIL FIG 2

Pos	Varenr / item no	Varenavn	Item name	OE	stk / qty
1	N/A	Benzintank, komplet	FUEL TANK COMP.	170490390-0001	1
2	9070547	Benzintank	FUEL TANK	170501646-0001	1
3	9070548	Gummistykke v/benzintank	I-RUBBER	380890389-0001	3
4	N/A	Krave	COLLAR	380823116-0001	4
5	N/A	Gummistykke	I-RUBBER	380890400-0001	1
6	9070549	Dæksel, brændstofpumpe	CAP, FUEL PUMP	173150005-0001	1
7	9070550	Benzindæksel	CAP, FUEL TANK	170870180-0001	1
8	N/A	Låsering	RING, SEAL	380841449-0001	1
9	N/A	Bolt	BOLT, HEXAGON FLANGE	380140103-0015	4
10	9070551	Brændstofpumpe	FUEL PUMP, ELECTRIC	172720023-0001	1
11	N/A	Låsering	SEAL OF FUEL PUMP	175230001-0001	1
12	9070552	Benzinslange (1)	FUEL TUBE ASSY.	175300008-0001	1
13	N/A	Gummikrave	RUBBER JACKET, FUEL FILTER	173060008-0001	1
14	9070553	Benzinfilter	FILTER, FUEL	170010068-0001	1
15	9070554	Benzinslange (2)	FUEL TUBE ASSY.	175300007-0001	1
16	9070555	Ånderør	TUBE, BREATHER	380741561-0001	1
17	N/A	Clamp	CLAMP, TUBE	380950511-0001	6
18	N/A	Kabelbinder	BAND	380900267-0001	1
19	9070431	Gummistykke	I-RUBBER	380890129-0001	1
20	9070556	Ventil (en-vejs)	ONE-WAY VALVE	150110016-0001	1
21	N/A	Ånderør	TUBE, BREATHER	380741572-0001	1
22	N/A	Spændebånd	HOOP, FUEL OIL INJECTOR	173030007-0001	1
23	9070557	Dæksel f/indsprøjtning	CAP, FUEL OIL INJECTOR	173020033-0001	1
24	N/A	Bolt	BOLT, HEXAGON FLANGE	380140054-0011	1
25	9070558	Indsprøjtningssdyse, komplet	FUEL OIL INJECTOR COMP.	173010020-0001	1

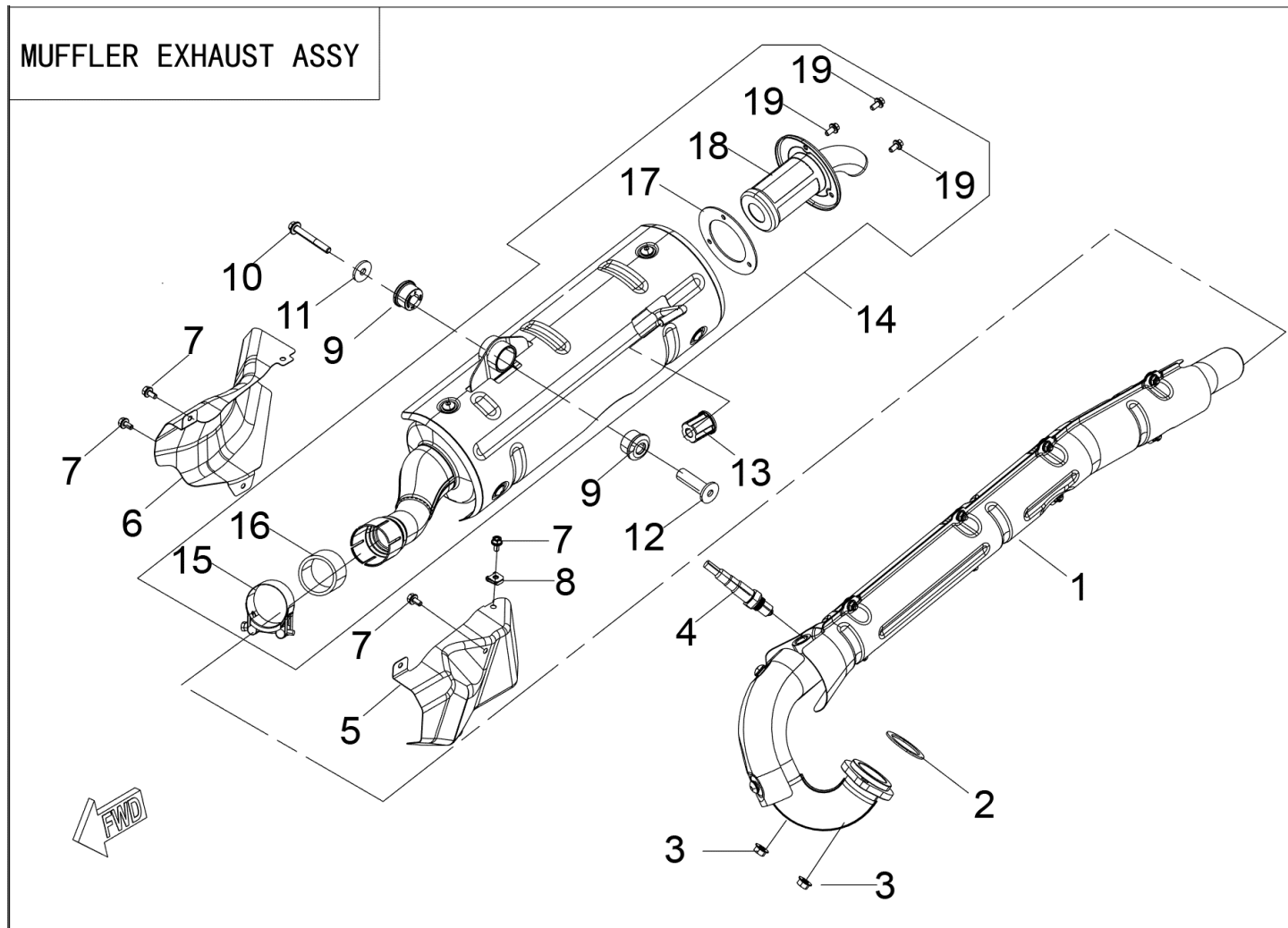
FIGUR 3
– LUFTFILTER



DELE TIL FIG 3

Pos	Varenr / item no	Varenavn	Item name	OE	stk / qty
1	9070559	O-ring v/plastflange	RING, SEAL	380840159-0001	2
2	9070560	Plastflange	INSULATION BLANKET	181600019-0001	1
3	N/A	Indsugningsrør	TUBE, AIR INTAKE	180420938-0001	1
4	N/A	Spændebånd	HOOP ASSY.	380960158-0001	2
5	9070561	Gasspjældshus, komplet	BODY ASSY., THROTTLE	172810096-0001	1
6	9070562	Fordeler	GAS-OIL SEPARATOR COMP.	180360065-0001	1
7	N/A	Clamp	CLAMP, TUBE	380950447-0002	1
8	N/A	Bolt	BOLT, HEXAGON FLANGE	380140054-0011	2
9	N/A	Møtrik	NUT, CLIP	380420062-0001	6
10	N/A	Bolt	BOLT, HEXAGON FLANGE	380140103-0015	4
11	9070563	Gaskabel	CABLE COMP., THROTTLE	171210760-0001	1
12	N/A	Luftfilter	AIR CLEANER COMP.	180021172-0001	1
13	N/A	Luftfilterhus, komplet	AIR FILTER HOUSING ASSY	183710001-0001	1
14	9070564	Luftfilter element	ELEMENT ASSY., AIR CLEANER	180100159-0001	1
15	9070565	Pakning v/luftfilter	COVER GASKET, AIR CLEANER CASE	180320016-0001	1
16	N/A	Spændebånd	HOOP ASSY.	380960202-0001	1
17	9070566	Luftfilterslange	TUBE, AIR CLEANER CONNECTING	180180263-0001	1
18	N/A	Clamp	CLAMP, TUBE	380950435-0001	2
19	N/A	Prop	PLUG, ASH DISPOSAL	181240020-0001	2

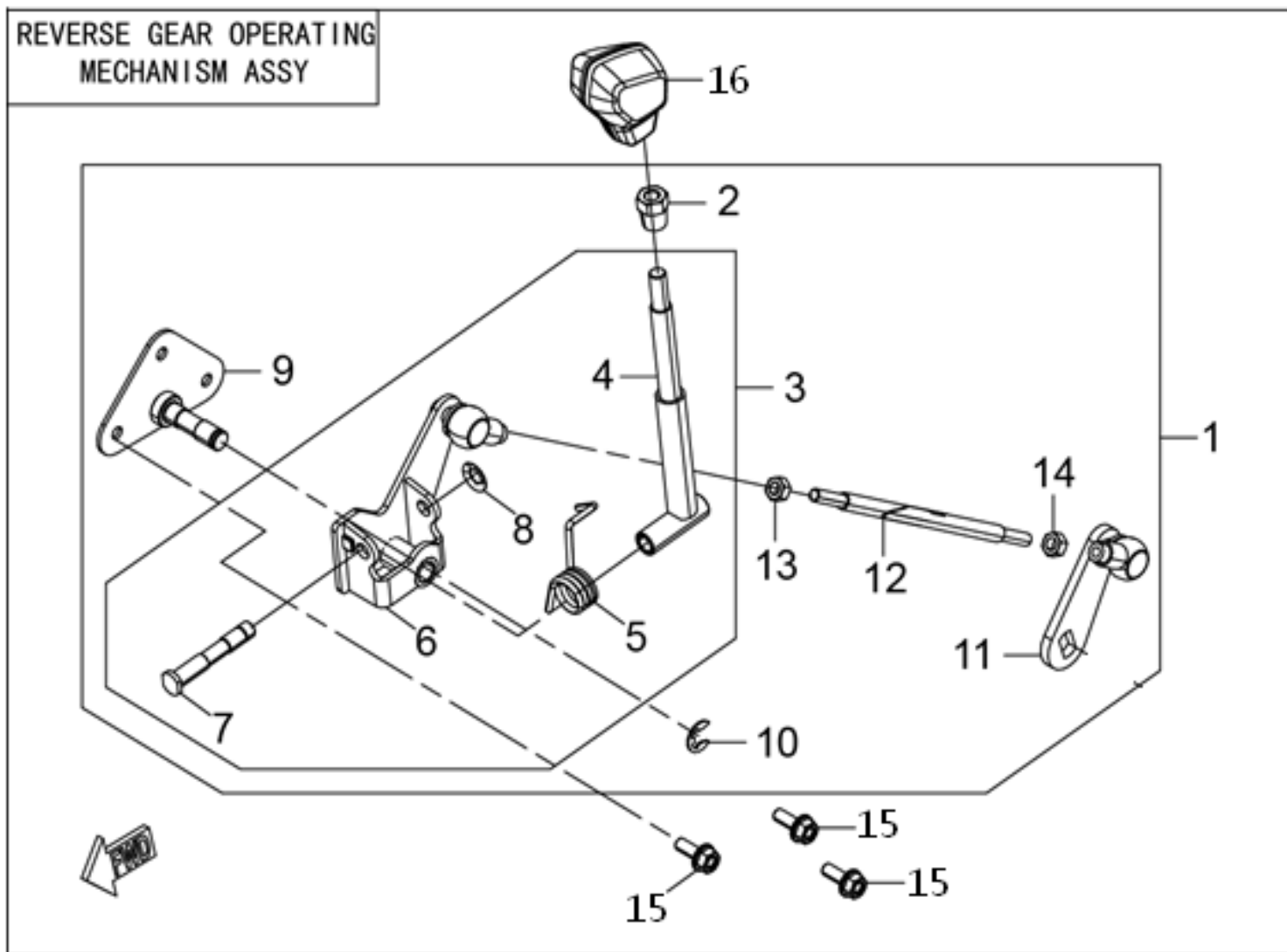
FIGUR 4
 – UDSTØDNING / LYDDÆMPER



DELE TIL FIG 4

Pos	Varenr / item no	Varenavn	Item name	OE	stk / qty
1	9070567	Udstødningsrør, forreste del	FRONT PART, MUFFLER	180710174-0001	1
2	9070568	Pakning v/udstødningsrør	GASKET, EXHAUST OPENING	180650131-0001	1
3	N/A	Møtrik	NUT, HEXAGON FLANGE	380370007-0014	2
4	9070569	Lambda sonde	OXYGEN SENSOR	172750024-0001	1
5	9070570	Venstre afskærmning, udstødning	SHIELD, EXHAUST PIPE	181900030-0001	1
6	9070571	Højre afskærmning, udstødning	SHIELD, EXHAUST PIPE	181900031-0001	1
7	N/A	Bolt	BOLT, HEXAGON FLANGE	380140067-0013	4
8	N/A	Møtrik	NUT, CLIP	380420062-0001	1
9	9070572	Gummibøsning, kort – udstødning	DAMPING RUBBER OF MUFFLER	183490008-0001	2
10	N/A	Bolt	BOLT, HEXAGON FLANGE	380140199-0002	1
11	N/A	Skive	WASHER, PLAIN	380450005-0007	1
12	N/A	Skive	WASHER, FLANGE	380470169-0001	1
13	9070573	Gummibøsning, lang – udstødning	DAMPING RUBBER OF MUFFLER	183490006-0001	1
14	9070574	Lyddæmper	REAR PART, MUFFLER EXHAUST	181170052-0001	1
15	N/A	Spændebånd	TUBE, MUFFLER CONNECTING	181890019-0001	1
16	9070575	Pakning v/lyddæmper (front)	GRAPHITE ANNULUS	181110009-0001	1
17	9070576	Pakning v/afgangsrør	GASKET, SPARK COLLECTOR	181960013-0001	1
18	9070577	Afgangsrør	COLLECTOR, SPARK	180780060-0001	1
19	N/A	Skrue	SCREW, HEXAGON SOCKET	380190043-0013	3

FIGUR 5
– GEARSTANG



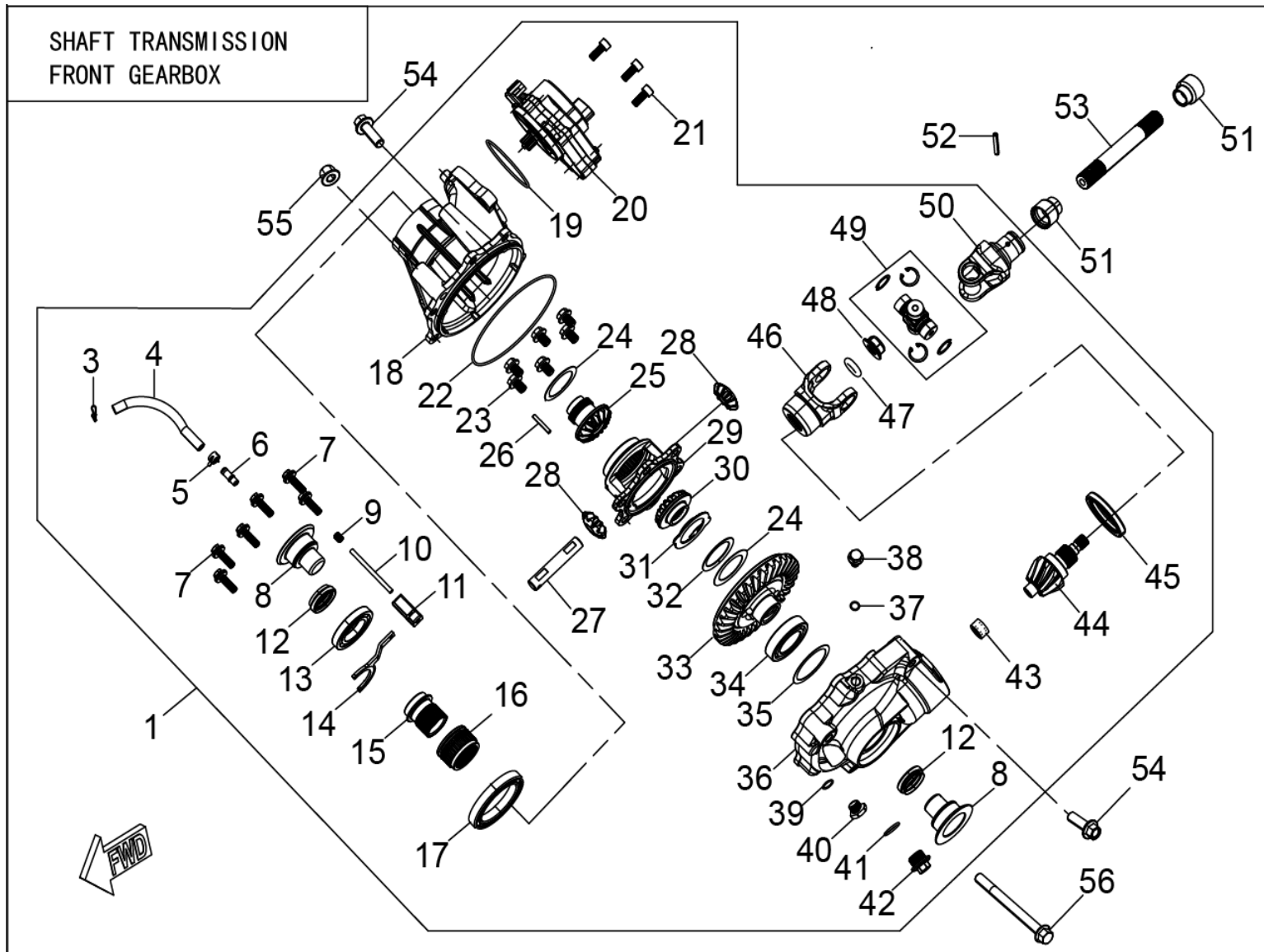
DELE TIL FIG 5

Pos	Varenr / item no	Varenavn	Item name	OE	stk / qty
1	9070578	Gearskitte, komplet	GEARSHIFT ASSY.	197330003-0001	1
2	N/A	Møtrik	NUT, HEXAGON HEAD	380340278-0001	1
3	N/A	Gearskifter	GEARSHIFT COMP.	197280004-0001	1
4	N/A	Gearstang, komplet	GEARSHIFT ROD ASSY.	197250004-0001	1
5	N/A	Strammefjeder	SPRING, TORSIONAL	381160330-0001	1
6	9070579	Arm for gearskitte	NULL	197310004-0001	1
7	N/A	Splitbolt	PIN, CLEVIS	380610501-0001	1
8	N/A	Låseskive	LOCK WASHER	290400066-0001	1
9	N/A	Holder	SUPPORTING SEAT OF GEARSHIFT OPERATION	197240003-0001	1
10	N/A	Skive	SPLIT WASHER	380570025-0001	1
11	9070580	Vippearm (gearstang)	SHIFT ROCKER ARM ASSEMBLY	197410003-0001	1
12	N/A	Gearstang	GEARSHIFT ROD	196700037-0001	1
13	N/A	Møtrik	NUT, HEXAGON HEAD	380340041-0001	1
14	N/A	Møtrik	NUT, HEXAGON HEAD	380340011-0013	1
15	N/A	Bolt	BOLT, HEXAGON FLANGE	380140013-0013	3
16	9070581	Gearstangsknop	GEARSHIFT LEVER	196280009-0001	1

DELE TIL FIG 6

Pos	Varenr / item no	Varenavn	Item name	OE	stk / qty
1	9070582	Motor, komplet Xwolf700L	ENGINE	F1504U0002-0Q05001	1
2	9070583	Motorophæng	DAMPING RUBBER OF ENGINE	210040003-0001	4
3	N/A	Bolt	BOLT, HEXAGON FLANGE	380140004-0009	4
4	N/A	Bolt	BOLT, HEXAGON FLANGE	380140013-0013	4
5	N/A	Møtrik	NUT, ALL-METAL HEXAGON WITH FLANGE	380400042-0002	1
6	N/A	Bolt	BOLT, HEXAGON FLANGE	380140574-0002	1
7	9070584	Motorophæng, højre del	RIGHT FRONT SUSPENSION OF ENGINE	210050003-0002	1
8	9070585	Motorophæng, venstre del	LEFT FRONT SUSPENSION OF ENGINE	210060003-0002	1
9	9070586	Indsugningsrør, øverste del af CVT	UPPER AIR INLET TUBE OF CVT	210020003-0001	1
10	9070587	Indsugningsrør, nederste del af CVT	LOWER AIR INLET TUBE OF CVT	210100006-0001	1
11	9070588	Udluftningsrør, øverste del af CVT	UPPER AIR EXHAUST PIPE OF CVT	210090003-0001	1
12	N/A	Spændebånd	HOOP ASSY.	380960202-0001	3
13	N/A	Bolt	BOLT, HEXAGON FLANGE	380140178-0005	2
14	N/A	Skrue	SCREW, HEXAGON SOCKET	380190001-0007	1
15	N/A	Gummibøsning	I-RUBBER	380890220-0002	1

FIGUR 7
- TRANSMISSION (1)



DELE TIL FIG 7

Pos	Varenr / item no	Varenavn	Item name	OE	stk / qty
1	9070589	Gearkasse, front	FRONT GEAR BOX	262060002-0001	1
3	N/A	Clamp	CLAMP, TUBE	380950526-0001	1
4	N/A	Ånderør	TUBE, BREATHER	380741606-0001	1
5	N/A	Spændebånd	HOOP	380970273-0001	1
6	N/A	Udluftsventil	WASTEGATE, REAR GEARBOX	260540010-0001	1
7	N/A	Bolt	BOLT, HEXAGON FLANGE	380140791-0001	6
8	N/A	Oliedæksel	OIL SEAL BLANKING CAP	264570001-0001	2
9	N/A	Skrue	SCREW	381610032-0001	1
10	N/A	Splitbolt	PIN, CLEVIS	380610485-0001	1
11	N/A	Kile	RACK	261240007-0001	1
12	9070590	Pakdåse, 24x38x8	OIL SEAL	380650945-0001	2
13	N/A	Kugleleje	BEARING	380630230-0001	1
14	N/A	Skiftegeffel	FORK, GEAR SHIFT	192120183-0001	1
15	N/A	Bøsning	BRANCH SLEEVE, SPLINE	261230005-0001	1
16	N/A	Bøsning	BRANCH SLEEVE, SPLINE	261230006-0001	1
17	N/A	Kugleleje	BEARING	380630296-0001	1
18	N/A	Cover for gearkasse, front	COVER, FRONT GEARBOX	262530002-0001	1
19	N/A	Låsering	RING, SEAL	380841343-0001	1
20	9070591	Gearmotor f/diff.spærre	MOTOR, CONVERTE	261220005-0001	1
21	N/A	Skrue	SCREW, HEXAGON SOCKET	380190612-0001	3
22	9070592	O-ring v/gearkasse cover	RING, SEAL	380841484-0001	1
23	N/A	Boltsæt	BOLT/SCREW/WASHER, PALIN COMP.	380710042-0001	6
24	N/A	Justeringskive	ADJUSTING WASHER, FRONT GEARBOX	261210008-0001	2
25	N/A	Kronhjul / gearhjul	GEAR, SEMI-SHAFT	260780020-0001	1
26	N/A	Styretap	PIN, DOWEL	380600324-0001	1
27	N/A	Styretap	PIN, DOWEL	380600325-0001	1
28	N/A	Planetgearhjul	GEAR, PLANETARY	260790023-0001	2
29	N/A	Differentialehus	CASE, DIFFERENTIAL MECHANISM	261080023-0001	1
30	N/A	Planetgearhjul	GEAR, PLANETARY	260790024-0001	1
31	N/A	Skive	CHECK WASHER	382460017-0001	1
32	N/A	Pakning	SPECIAL SHAPED GASKET	382500010-0001	1

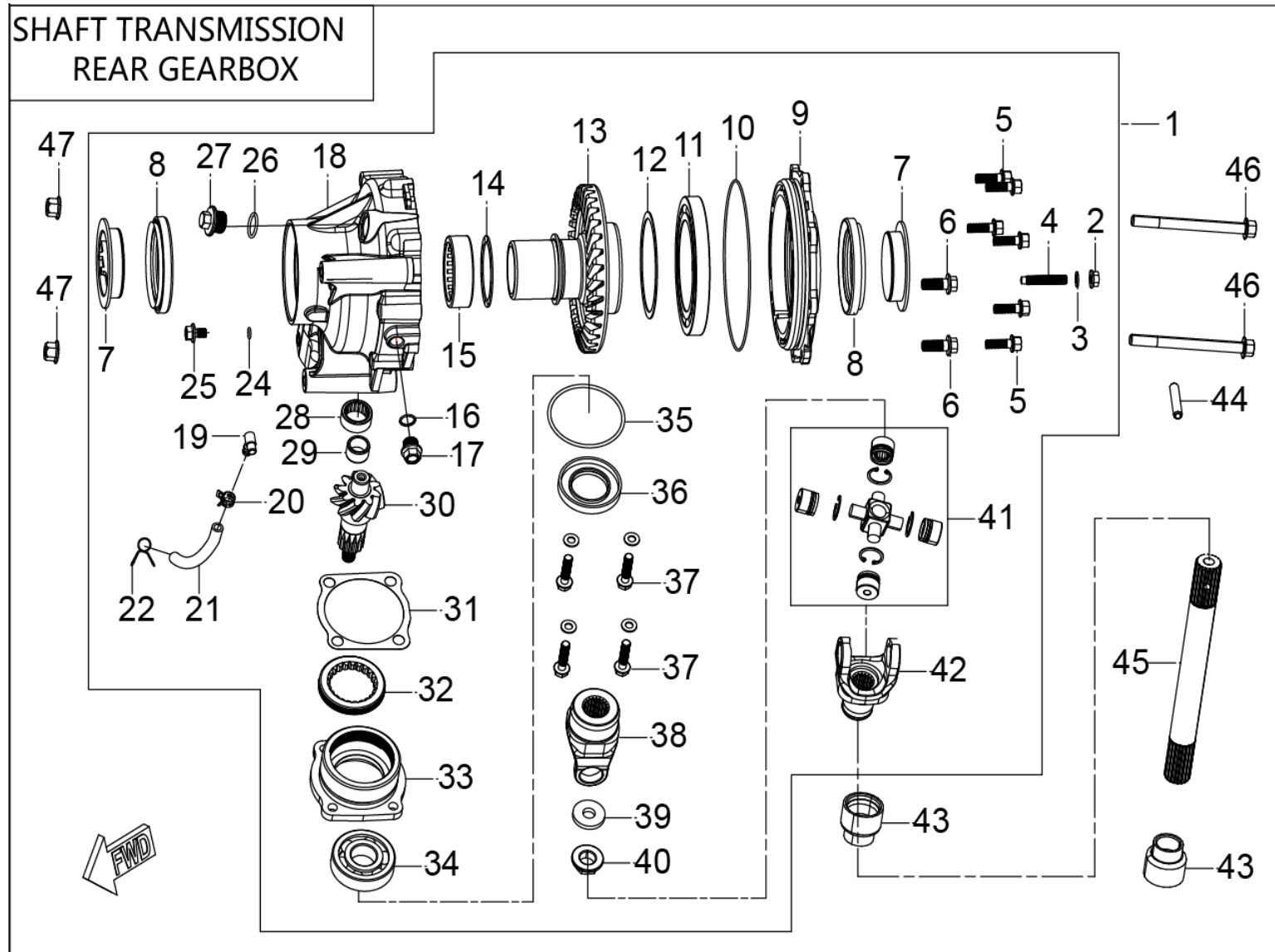
Kontakt
Tlf salgsafdeling: 7021 2626
Tlf teknisk support: 7696 2326

P. Lindberg A/S
Sdr. Ringvej 1
DK – 6600 Vejen

RES LONCIN XWOLF 700L DK V1
www.p-lindberg.dk
e-mail: salg@p-lindberg.dk

Pos	Varenr / item no	Varenavn	Item name	OE	stk / qty
33	N/A	Kronhjul	<i>DRIVEN GEAR, FRONT GEARBOX</i>	260270008-0001	1
34	N/A	Kugleleje	<i>BEARING</i>	380630295-0001	1
35	N/A	Justeringsskive	<i>ADJUSTING WASHER, FRONT GEARBOX</i>	261210009-0001	1
36	N/A	Gearkassehus, front	<i>FRONT CASE BODY</i>	261440004-0001	1
37	N/A	Låsering	<i>RING, SEAL</i>	380841486-0001	1
38	N/A	Olieaftapningsskrue	<i>SCREW, OIL DRAIN</i>	173600009-0001	1
39	N/A	Låsering	<i>RING, SEAL</i>	380841485-0001	1
40	9070593	Niveauprop	<i>SCREW, OIL DRAIN</i>	173600008-0001	1
41	N/A	Tætningsskive	<i>RING, SEAL</i>	380841346-0001	1
42	9070594	Påfyldningsprop	<i>BOLT, REAR GEARBOX OIL FEED</i>	260560002-0001	1
43	N/A	Kugleleje	<i>BEARING</i>	380630762-0001	1
44	N/A	Spidshjul	<i>DRIVING GEAR, FRONT GEARBOX</i>	260260006-0001	1
45	9070596	Pakdåse 48x65x9 v/spidshjul	<i>OIL SEAL</i>	380650807-0001	1
46	9070597	Gaffel for kardanaxsel, for	<i>FORK OF UNIVERSAL JOINT</i>	262120009-0001	1
47	N/A	Pakring	<i>RING, SEAL</i>	380841344-0001	1
48	N/A	Møtrik	<i>NUT, ALL-METAL HEXAGON WITH FLANGE</i>	380400050-0001	1
49	9070598	Gaffel for kardankryds, for	<i>CROSS SHAPED SHAFT ASSY.</i>	262150005-0001	1
50	N/A	Kardanaxsel	<i>FORK OF UNIVERSAL JOINT</i>	262120010-0001	1
51	9070599	Støvhætte	<i>DUST PROOF CAP</i>	382400003-0001	2
52	N/A	Styretap	<i>PIN, DOWEL</i>	380600320-0001	1
53	9070600	Aksel (gearkasse, front)	<i>POWER SHAFT</i>	260200629-0001	1
54	N/A	Bolt	<i>BOLT, HEXAGON FLANGE</i>	380140763-0001	2
55	N/A	Møtrik	<i>NUT, ALL-METAL HEXAGON WITH FLANGE</i>	380400042-0002	1
56	N/A	Bolt	<i>BOLT, HEXAGON FLANGE</i>	380140869-0001	1

FIGUR 8
- TRANSMISSION (2)



DELE TIL FIG 8

Pos	Varenr / item no	Varenavn	Item name	OE	stk / qty
1	9070601	Gearkasse, bag	REAR GEAR BOX	262020003-0001	1
2	N/A	Møtrik	NUT, HEXAGON FLANGE	380370120-0001	1
3	N/A	Skive	WASHER, SCREW PLUG	110870006-0001	1
4	N/A	Skrue	SCREW, HEXAGON SOCKET	380190707-0001	1
5	N/A	Bolt	BOLT, HEXAGON FLANGE	380140791-0001	6
6	N/A	Bolt	BOLT, HEXAGON FLANGE	380140792-0001	2
7	N/A	Oliedæksel	OIL SEAL BLANKING CAP	264570002-0001	2
8	9070602	Pakdåse 65x90x9 v/oliedæksel	OIL SEAL	380650804-0001	2
9	N/A	Gearkassehus, bag	COVER, REAR GEARBOX	260530009-0001	1
10	N/A	O-ring	RING, SEAL	380841487-0001	1
11	N/A	Kugleleje	BEARING	380630299-0001	1
12	N/A	Justeringskive	ADJUSTING WASHER, REAR GEARBOX	260590012-0001	1
13	N/A	Kronhjul	DRIVEN GEAR ASSY., REAR GEARBOX	261130007-0001	1
14	N/A	Justeringskive	ADJUSTING WASHER, REAR GEARBOX	260590013-0001	1
15	N/A	Kugleleje	BEARING	380630763-0001	1
16	N/A	Låsering	RING, SEAL	380841485-0001	1
17	9070603	Olieaftappingsprop	SCREW, OIL DRAIN	173600010-0001	1
18	N/A	Differentialehus, bag	BODY, REAR GEARBOX	260520007-0001	1
19	N/A	Udluftningsventil	WASTEGATE, REAR GEARBOX	260540011-0001	1
20	N/A	Spændebånd	HOOP	380970273-0001	1
21	N/A	Ånderør	TUBE, BREATHER	380741606-0001	1
22	N/A	Clamp	CLAMP, TUBE	380950526-0001	1
24	N/A	O-ring	RING, SEAL	380841346-0001	1
25	N/A	Bolt	BOLT, REAR GEARBOX OIL FEED	260560002-0001	1
26	N/A	O-ring	RING, SEAL	380841488-0001	1
27	9070604	Påfyldningsprop	BOLT, HEXAGON FLANGE	380140861-0001	1
28	N/A	Kugleleje	BEARING	380630764-0001	1
29	N/A	Krave	COLLAR	380824361-0001	1
30	N/A	Spidshjul	DRIVING GEAR, REAR GEARBOX	260500012-0001	1
31	N/A	Justeringskive	ADJUSTING WASHER, REAR GEARBOX	260590014-0001	1
32	N/A	Møtrik	NUT, ROUND	380810111-0001	1

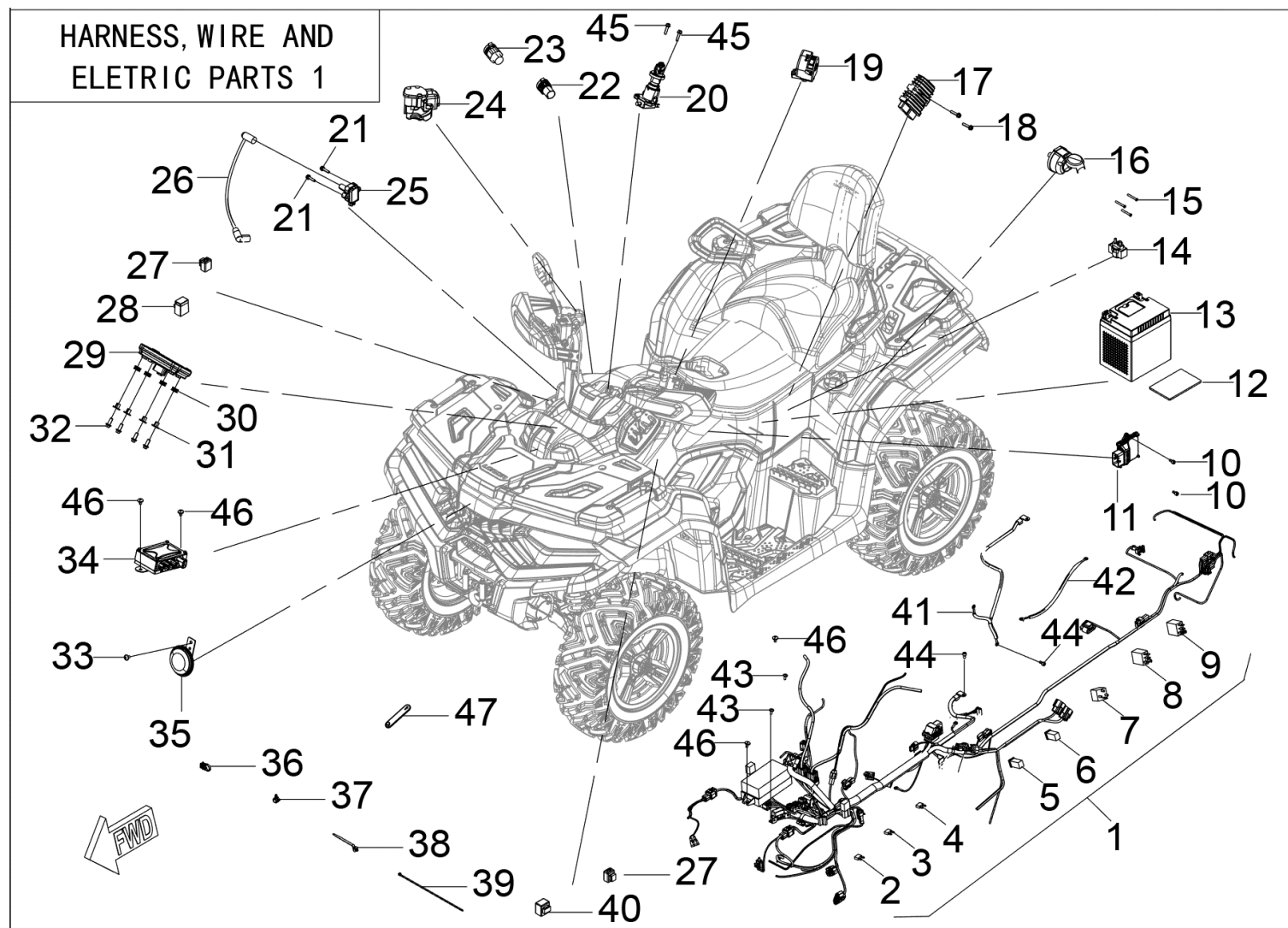
Kontakt
Tlf salgsafdeling: 7021 2626
Tlf teknisk support: 7696 2326

P. Lindberg A/S
Sdr. Ringvej 1
DK – 6600 Vejen

RES LONCIN XWOLF 700L DK V1
www.p-lindberg.dk
e-mail: salg@p-lindberg.dk

Pos	Varenr / item no	Varenavn	Item name	OE	stk / qty
33	N/A	Lejehus	<i>END HOUSING, REAR GEARBOX</i>	261150005-0001	1
34	N/A	Kugleleje	<i>BEARING</i>	380630048-0001	1
35	N/A	O-ring	<i>RING, SEAL</i>	380841345-0001	1
36	9070605	Pakdåse 35x61x9 v/gaffel	<i>OIL SEAL</i>	380650805-0001	1
37	N/A	Boltsæt	<i>BOLT/SCREW/WASHER, PALIN COMP.</i>	380710040-0001	4
38	9070606	Gaffel for kardanaxsel, mod gear	<i>FORK OF UNIVERSAL JOINT</i>	262120011-0001	1
39	N/A	Skive	<i>WASHER, PLAIN</i>	380451377-0001	1
40	N/A	Møtrik	<i>NUT, ALL-METAL HEXAGON WITH FLANGE</i>	380400043-0002	1
41	9070607	Gaffel for kardankryds, bag	<i>CROSS SHAPED SHAFT ASSY.</i>	262150005-0001	1
42	9070608	Gaffel for kardanaxsel, mod aksel	<i>FORK OF UNIVERSAL JOINT</i>	262120010-0001	1
43	N/A	Støvhætte	<i>DUST PROOF CAP</i>	382400003-0001	2
44	N/A	Styretap	<i>PIN, DOWEL</i>	380600320-0001	1
45	9070609	Aksel (gearkasse, bag)	<i>POWER SHAFT</i>	260200549-0001	1
46	N/A	Bolt	<i>BOLT, HEXAGON FLANGE</i>	380140869-0001	2
47	N/A	Møtrik	<i>NUT, ALL-METAL HEXAGON WITH FLANGE</i>	380400042-0002	2

FIGUR 9
– ELEKTRISKE DELE (1)



DELE TIL FIG 9

Pos	Varenr / item no	Varenavn	Item name	OE	stk / qty
1	9070610	Ledningsnet	<i>HARNESSE, WIRE</i>	271232386-0001	1
2	N/A	Sikring	<i>SECTION, SAFE</i>	381620023-0001	1
3	N/A	Sikring	<i>SECTION, SAFE</i>	381620025-0001	1
4	N/A	Sikring	<i>SECTION, SAFE</i>	381620029-0001	1
5	N/A	Sikring	<i>SECTION, SAFE</i>	381620026-0001	1
6	N/A	Sikring	<i>SECTION, SAFE</i>	381620030-0001	1
7	9070611	Relæ (1)	<i>ELECTRIC RELAY</i>	277480004-0001	1
8	9070612	Relæ (2)	<i>ELECTRIC RELAY</i>	277480005-0001	1
9	9070613	Relæ (3)	<i>ELECTRIC RELAY</i>	277480007-0001	1
10	N/A	Skrue	<i>SCREW, HEXAGON SOCKET</i>	380190005-0013	2
11	9070614	ECU styreboks	<i>ECU ELECTRICAL CONTROLLER</i>	172710197-0001	1
12	N/A	Batteribeskyttelse	<i>CUSHION PAD, BATTERY</i>	272320029-0001	1
13	N/A	Batteri	<i>BATTERY ASSY.</i>	271060533-0001	1
14	9070615	Startrelæ	<i>RELAY ASSY., STARTING</i>	270810146-0001	1
15	N/A	Skrue	<i>SCREW, CROSS RECESSED PAN</i>	380200017-0006	3
16	N/A	Stik	<i>CONNECTOR OF POWER SOURCE</i>	274260001-0001	1
17	9070616	Laderelæ	<i>RECTIFIER REGULATE ASSY.</i>	270880166-0001	1
18	N/A	Bolt	<i>BOLT, HEXAGON FLANGE</i>	380140054-0011	2
19	9070617	Kontakt (venstre)	<i>SWITCH ASSY., LEFT</i>	271390586-0001	1
20	9070618	Tænding, kontakt	<i>SWITCH ASSY., IGNITION</i>	271330322-0001	1
21	N/A	Bolt	<i>BOLT, HEXAGON FLANGE</i>	380140103-0015	2
22	9070619	USB-stik	<i>USB SOCKET</i>	274570001-0001	1
23	N/A	Multi-stik	<i>SOCKET, MULTIFUNCTION</i>	271310001-0001	1
24	9070620	Kontakt (højre)	<i>SWITCH ASSY., RIGHT</i>	271590577-0001	1
25	9070621	Tændspole	<i>BODY SET, IGNITION COIL</i>	270930048-0001	1
26	9070622	Ledning (tændspole)	<i>WIRE, IGNITION COIL</i>	270940045-0001	1
27	N/A	Holder	<i>SHEATH, ELECTRICAL PARTS</i>	270870014-0001	2
28	9070623	Relæ (4)	<i>CONTROLLER</i>	423000259-0001	1
29	9070624	Instrument	<i>METER ASSY.</i>	281371600-0001	1
30	N/A	Gummistykke	<i>I-RUBBER</i>	380890220-0002	4
31	N/A	Krave	<i>COLLAR</i>	380822710-0001	4

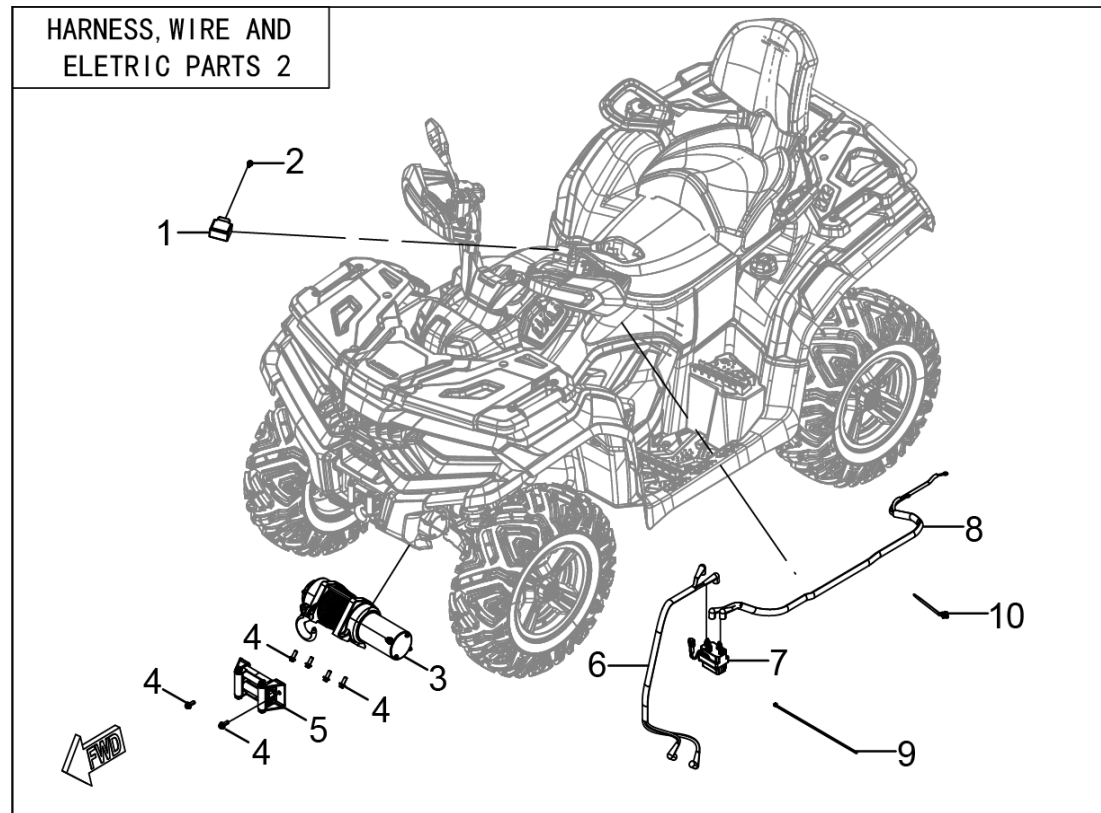
Kontakt
Tlf salgsafdeling: 7021 2626
Tlf teknisk support: 7696 2326

P. Lindberg A/S
Sdr. Ringvej 1
DK – 6600 Vejen

RES LONCIN XWOLF 700L DK V1
www.p-lindberg.dk
e-mail: salg@p-lindberg.dk

Pos	Varenr / item no	Varenavn	Item name	OE	stk / qty
32	N/A	Bolt	<i>BOLT, HEXAGON FLANGE</i>	380140077-0012	4
33	N/A	Bolt	<i>BOLT, HEXAGON FLANGE</i>	380140067-0013	1
34	9070625	ECU hovedrelæ	<i>ECU ELECTRICAL CONTROLLER</i>	172710177-0001	1
35	N/A	Horn	<i>HORN</i>	280190179-0001	1
36	N/A	Clamp, ledning	<i>CLAMP, WIRE</i>	380940872-0001	3
37	N/A	Clamp, rør	<i>CLAMP, TUBE</i>	380950511-0001	4
38	N/A	Kabelbinder	<i>BAND</i>	380900267-0001	4
39	N/A	Kabelbinder	<i>BAND</i>	380900077-0002	8
40	9070642	Blinkrelæ	<i>FLASHER</i>	280150102-0001	1
41	9070643	Batterikabel negativ	<i>WIRE, CATHODE</i>	271260029-0001	1
42	9070644	Batterikabel positiv	<i>WIRE, POSITIVE</i>	271270072-0001	1
43	N/A	Skrue	<i>SCREW, HEXAGON SOCKET</i>	380190131-0002	2
44	N/A	Skrue	<i>SCREW, HEXAGON SOCKET</i>	380190043-0013	2
45	N/A	Bolt	<i>BOLT, HEXAGON FLANGE</i>	380140004-0009	2
46	N/A	Skrue	<i>SCREW, HEXAGON SOCKET</i>	380190001-0007	4
47	N/A	Kabelbinder	<i>BAND</i>	380900131-0002	3

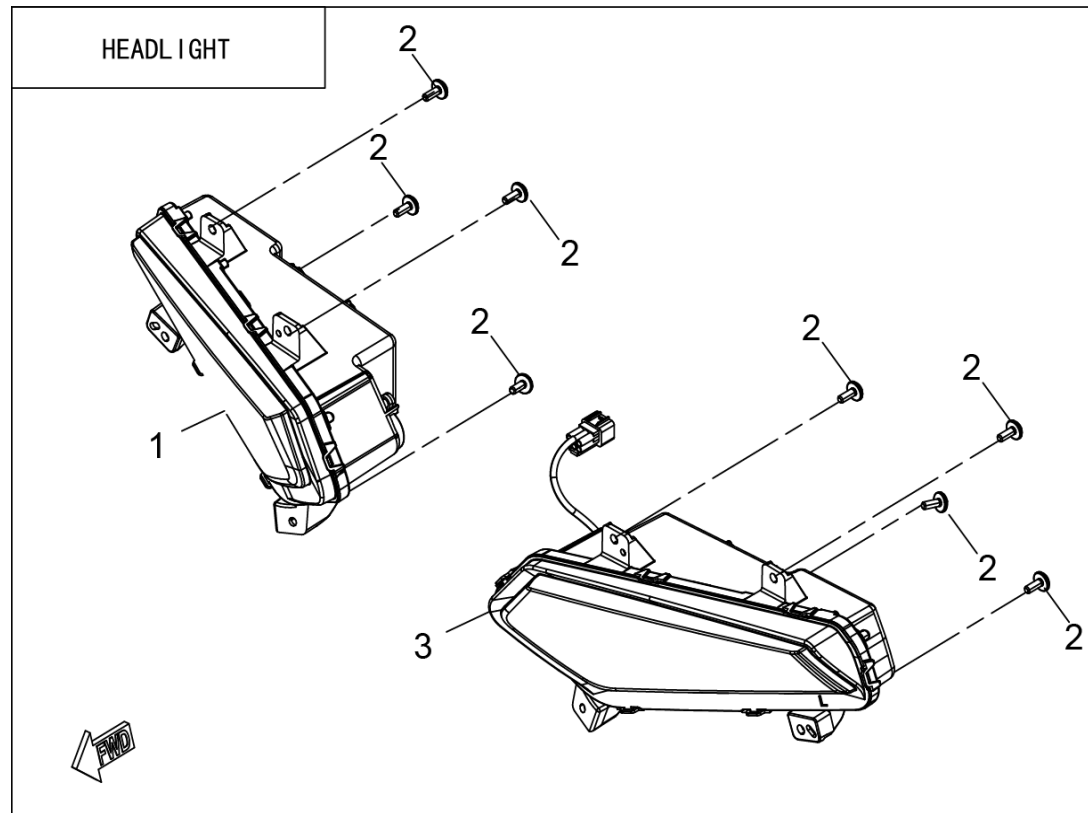
FIGUR 10
– ELEKTRISKE DELE (2)



DELE TIL FIG 10

Pos	Varenr / item no	Varenavn	Item name	OE	stk / qty
1	9070645	Betjeningskontakt til spil	CONTROLLER SWITCH., WINCH	273510005-0001	1
2	N/A	Bolt	BOLT, HEXAGON FLANGE	380140001-0015	1
3	9070646	Trækspil	WINCH	274340003-0001	1
4	N/A	Bolt	BOLT, HEXAGON FLANGE	380140004-0009	6
5	9070647	Styrerulle	LEADING BOGIE, CAPSTAN	260630004-0001	1
6	N/A	Kabel	FRONT WINCH CABLE	274400004-0001	1
7	9070648	Relæ til spil	CONTROLLER, WINCH	271820008-0001	1
8	N/A	Kabel	FRONT WINCH CABLE	274400003-0001	1
9	N/A	Kabelbinder	BAND	380900077-0002	3
10	N/A	Kabelbinder	BAND	380900267-0001	1

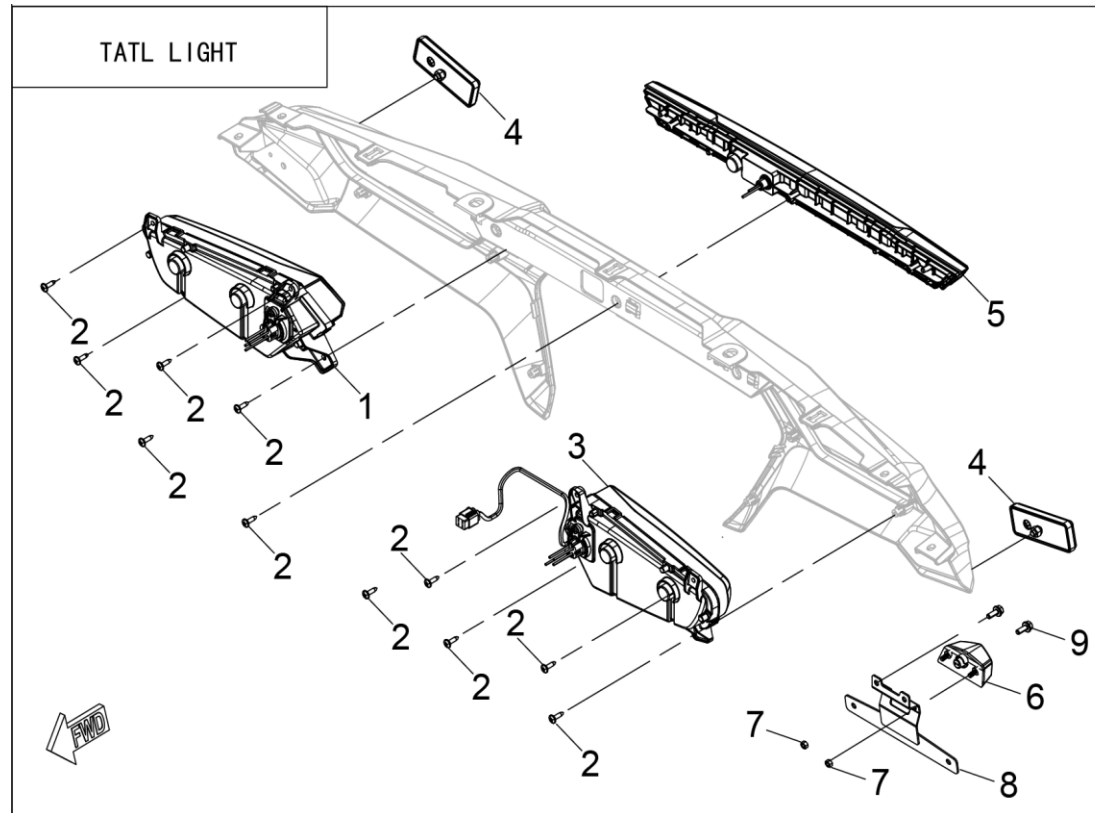
FIGUR 11
– FORLYGTER



DELE TIL FIG 11

Pos	Varenr / item no	Varenavn	Item name	OE	stk / qty
1	9070649	Forlygte, komplet – højre	LIGHT ASSY., HEAD RIGHT	280360052-0001	1
2	N/A	Skrue	SCREW, HEXAGON SOCKET	380190001-0007	8
3	9070650	Forlygte, komplet - venstre	LIGHT ASSY., HEAD LEFT	280351056-0001	1

FIGUR 12
– BAGLYGTER



DELE TIL FIG 12

Pos	Varenr / item no	Varenavn	Item name	OE	stk / qty
1	9070651	Baglygte, højre - komplet	<i>TAIL LIGHT, RIGHT</i>	283770058-0001	1
2	N/A	Skrue	<i>SCREW, CROSS RECESSED PAN SELF-TAPPING</i>	380310006-0012	11
3	9070652	Baglygte, venstre – komplet	<i>LIGHT UNIT, TAIL</i>	280580745-0001	1
4	N/A	Refleks	<i>REFLECTOR, REAR</i>	280110098-0001	2
5	9070653	Baglygte-strip	<i>LIGHT ASSY., REAR PARKING</i>	281230005-0001	1
6	9070654	Nummerpladelys	<i>LAMP, REAR REGISTRATION PLATE</i>	280720058-0001	1
7	N/A	Møtrik	<i>NUT, HEXAGON FLANGE</i>	380340007-0008	2
8	N/A	Nummerpladeholder	<i>BRACKET, REAR REGISTRATION PLATE</i>	340540262-0001	1
9	N/A	Bolt	<i>BOLT, HEXAGON FLANGE</i>	380140013-0013	2

DELE TIL FIG 13

Pos	Varenr / item no	Varenavn	Item name	OE	stk / qty
1	N/A	Bremsekaliber, komplet, skivebremse for	CALIPER ASSY, FRONT DISC BRAKE	291410288-0001	1
2	N/A	Skive	WASHER, PLAIN	380450061-0001	21
3	N/A	Bolt	BOLT, DISC-BRAKE HOSE	291800031-0001	9
4	9070655	Bremseslange fra hovedcylinder styr	BRAKE OIL TUBE	297830022-0001	1
5	9070656	Fordeler (skivebremse)	DISTRIBUTOR, DISC-BRAKE	291830005-0001	1
6	9070657	Hovedcylinder, styr	MASTER PUMP COMP.	297840007-0001	1
7	9070658	Bremsevæskebeholder	MASTER PUMP COMP.	297840006-0001	1
8	9070659	Bremseslange, for	BRAKE OIL TUBE	297830023-0001	1
9	9070660	Bremseslange, bag	BRAKE OIL TUBE	297830021-0001	1
10	9070661	Bremseslange, venstre for	BRAKE OIL TUBE	297830025-0001	1
11	9070662	Bremseslange, højre for	BRAKE OIL TUBE	297830024-0001	1
12	9070663	Bremsekontakt	BRAKE CONTROLLING SWITCH	297870003-0001	1
13	9070664	Bremsekaliber, venstre for – komplet	FRONT CALIPER COMP.	297770008-0001	1
14	9070665	Bremsekaliber, højre for – komplet	FRONT CALIPER COMP.	297770009-0001	1
15	9070666	Bremseklodser, for	BRAKE PIECE ASSY.	297810012-0001	1
16	9070667	Bremsekaliber, venstre bag – komplet	REAR CALIPER COMP.	297740010-0001	1
17	9070668	Bremseklodser, venstre bag	BRAKE PIECE ASSY.	297810001-0001	1
18	9070669	Bremsekaliber, højre bag – komplet	REAR CALIPER COMP.	297740009-0001	1
19	9070670	Bremseklodser, højre bag	BRAKE PIECE ASSY.	297810002-0001	1
20	9070671	Skivebremse, for- & bagbremse	DISK COMP., LEFT FRONT BRAKE	291420214-0001	4
21	9070672	Bolt M8x20 v/skivebremse	BOLT, HEX. SOCKET RAISED HEAD W/SHOULDER	380120012-0002	16
22	9070673	Skærm (front) v/skivebremse	GUARD PLATE, FRONT DISC-BRAKE	293110004-0001	2
23	9070674	Skrue v/skærm	SCREW, HEXAGON SOCKET	380190007-0005	12
24	9070675	Skærm (bag) v/skivebremse	SHIELD CAP, REAR BRAKE DISK	291970005-0001	2
25	N/A	Bolt	BOLT, HEXAGON FLANGE	380140178-0005	8
26	N/A	Bolt	BOLT, HEXAGON FLANGE	380140067-0013	4
27	N/A	Bolt	BOLT, HEXAGON FLANGE	380140013-0013	2
28	N/A	Kabelbinder	BAND	380900267-0001	19
29	N/A	Bolt	BOLT, HEXAGON FLANGE	380140025-0007	2
30	N/A	Bolt	BOLT, HEXAGON FLANGE	380140103-0015	1
31	N/A	Bolt	BOLT, HEXAGON FLANGE	380140040-0012	3

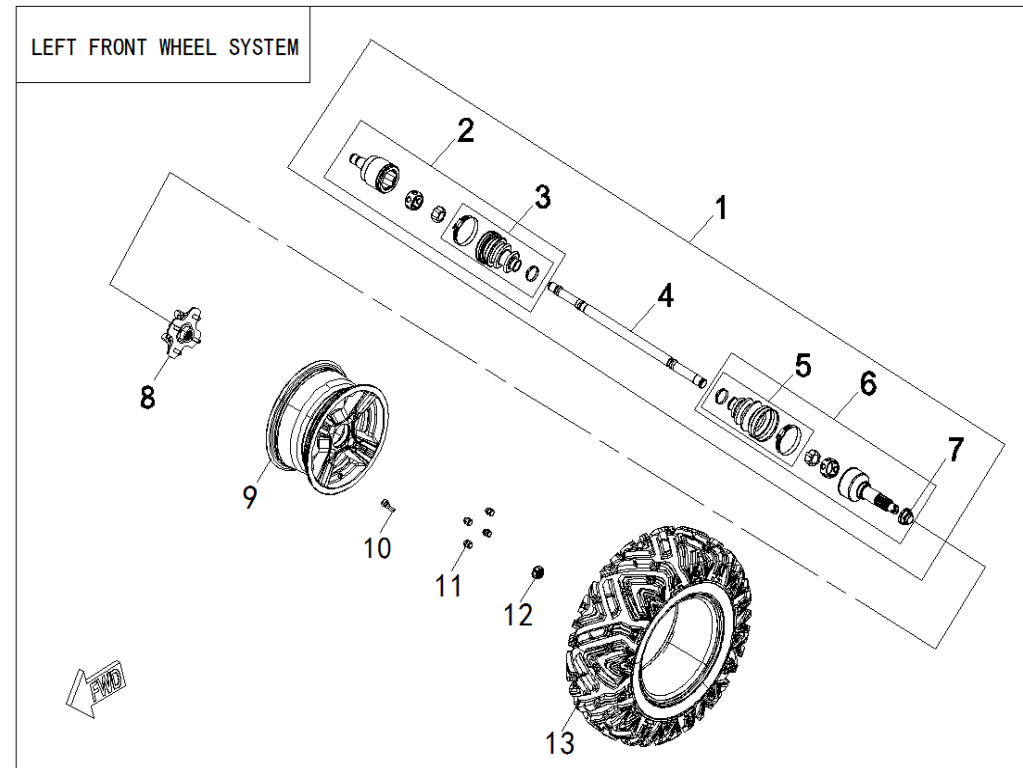
Kontakt
Tlf salgsafdeling: 7021 2626
Tlf teknisk support: 7696 2326

P. Lindberg A/S
Sdr. Ringvej 1
DK – 6600 Vejen

RES LONCIN XWOLF 700L DK V1
www.p-lindberg.dk
e-mail: salg@p-lindberg.dk

Pos	Varenr / item no	Varenavn	Item name	OE	stk / qty
32	N/A	Bremsepedal	<i>PEDAL ASSY.</i>	297750004-0001	1
33	N/A	Bøsning	<i>COLLAR</i>	380824149-0001	2
34	N/A	Bøsning	<i>COLLAR</i>	380824148-0001	1
35	N/A	Bremsepedal, komplet	<i>BRAKE PEDAL ASSY.</i>	297820004-0001	1
36	N/A	Bolt	<i>BOLT, HEXAGON FLANGE</i>	380140197-0003	1
37	N/A	Møtrik	<i>NUT, ALL-METAL HEXAGON WITH FLANGE</i>	380400042-0002	1
38	N/A	Trækfjeder	<i>SPRING, DRAG</i>	381140696-0001	1
39	N/A	Støttebeslag til bremsepedal	<i>SUPPORTING PLATE OF REAR BRAKE PEDAL BRACKET</i>	304680003-0001	1
40	N/A	Bolt	<i>BOLT, HEXAGON FLANGE</i>	380140093-0008	2
41	N/A	Møtrik	<i>NUT, ALL-METAL HEXAGON</i>	380390008-0004	2
42	N/A	Advarselsmærkat	<i>LABEL, WARNING</i>	370310664-0001	1

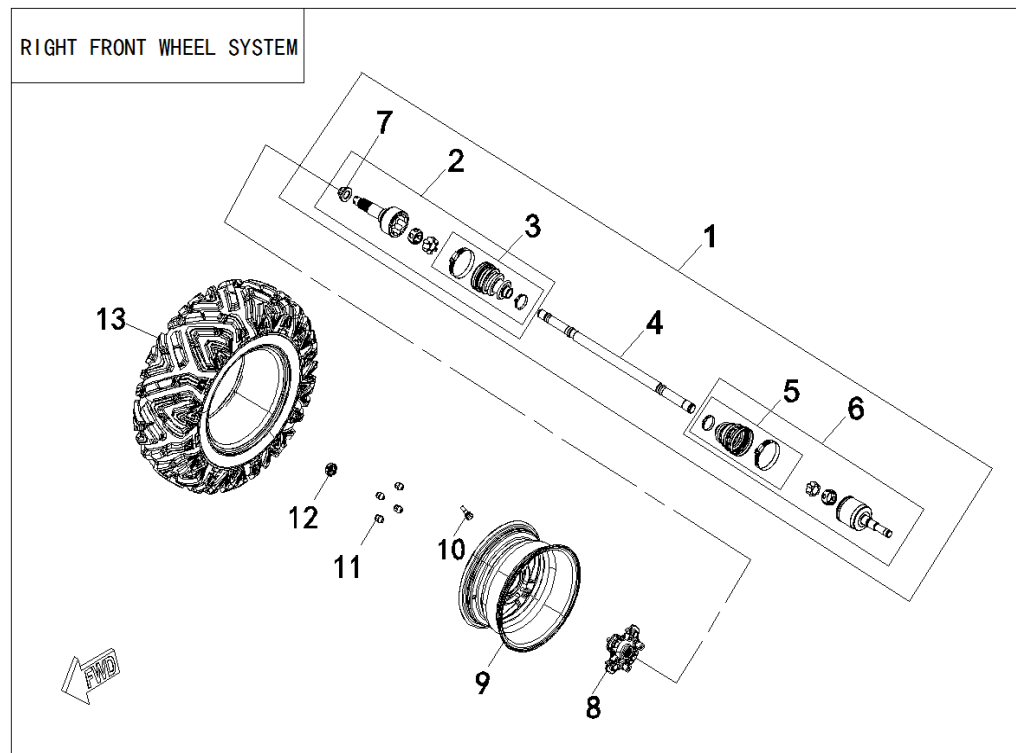
FIGUR 14
– VENSTRE FORHJUL



DELE TIL FIG 14

Pos	Varenr / item no	Varenavn	Item name	OE	stk / qty
1	9070676	Trækaksel, komplet – venstre for	LEFT FRONT BALL CAGE OF SEMI-SHAFT	262080003-0001	1
2	N/A	Knokkelled (indre), venstre for	THE BALL CAGE	264580001-0001	1
3	9070677	Manchet (indre), venstre for	INNER BALL CAGE REPAIR KIT	264600001-0001	1
4	N/A	Aksel, venstre for	INTERMEDIATE SHAFT	197470002-0001	1
5	9070678	Manchet, for	EXTERNAL BALL CAGE REPAIR KIT	264610001-0001	1
6	N/A	Knokkelled (ydre) venstre for	OUTSIDE OF THE BALL CAGE	264590001-0001	1
7	N/A	Møtrik	NUT, HEXAGON HEAD	380340219-0001	1
8	9070679	Nav, for & bag	LAND, REAR WHEEL	290270017-0001	1
9	9070680	Fælg, for	HUB, FRONT WHEEL	290110082-0001	1
10	9070681	Ventil, slangeløs – for & bag	CORE & CAP, VALVE	293620003-0001	1
11	9070682	Hjultmøtrik, for & bag	TAPER NUT	381590001-0001	4
12	9070683	Navkapsel, for & bag	DECORATIVE COVER OF FRONT WHEEL	297780003-0001	1
13	9070684	Dæk, front – 25x8-12	TYRE ASSY.	290150954-0001	1

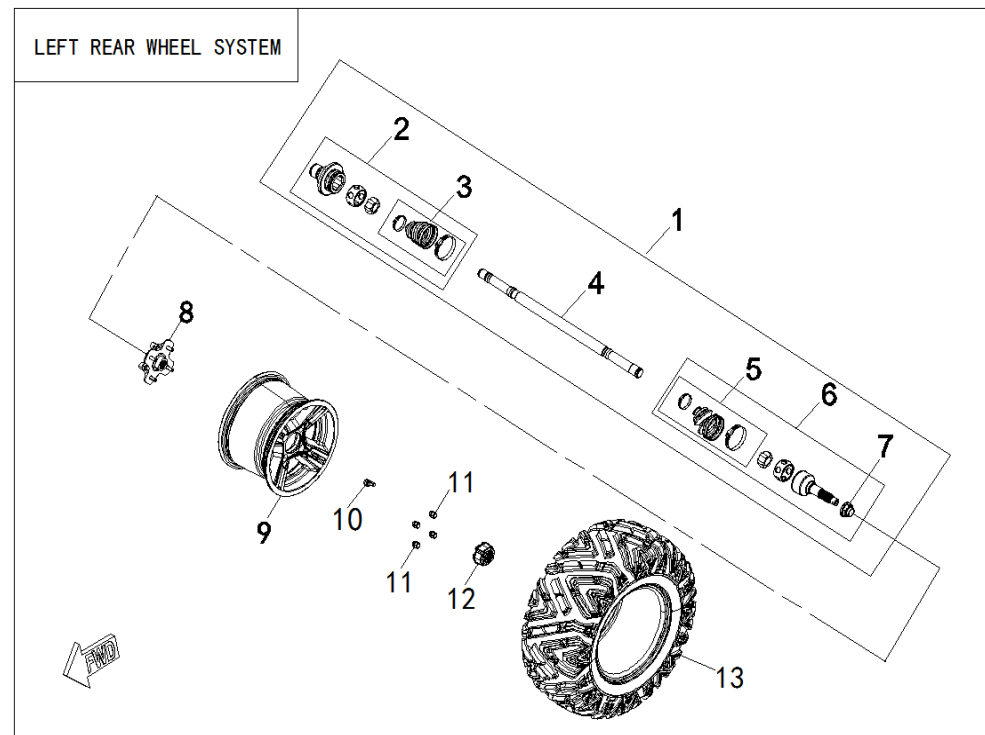
FIGUR 15
– HØJRE FORHJUL



DELE TIL FIG 15

Pos	Varenr / item no	Varenavn	Item name	OE	stk / qty
1	9070685	Trækaksel, komplet – højre for	RIGHT FRONT BALL CAGE OF SEMI-SHAFT	262070003-0001	1
2	N/A	Knokkelled (indre), højre for	THE BALL CAGE	264590001-0001	1
3	9070678	Manchet, for	INNER BALL CAGE REPAIR KIT	264610001-0001	1
4	N/A	Aksel, højre for	INTERMEDIATE SHAFT	197470003-0001	1
5	9070686	Manchet (ydre), højre for	EXTERNAL BALL CAGE REPAIR KIT	264600002-0001	1
6	N/A	Knokkelled (ydre), højre for	OUTSIDE OF THE BALL CAGE	264580002-0001	1
7	N/A	Møtrik	NUT, HEXAGON HEAD	380340219-0001	1
8	9070679	Nav, for & bag	LAND, REAR WHEEL	290270017-0001	1
9	9070680	Fælg, for	HUB, FRONT WHEEL	290110082-0001	1
10	9070681	Ventil, slangeløs – for & bag	CORE & CAP, VALVE	293620003-0001	1
11	9070682	Hjultmøtrik, for & bag	TAPER NUT	381590001-0001	4
12	9070683	Navkapsel, for & bag	DECORATIVE COVER OF FRONT WHEEL	297780003-0001	1
13	9070684	Dæk, front – 25x8-12	TYRE ASSY.	290150954-0001	1

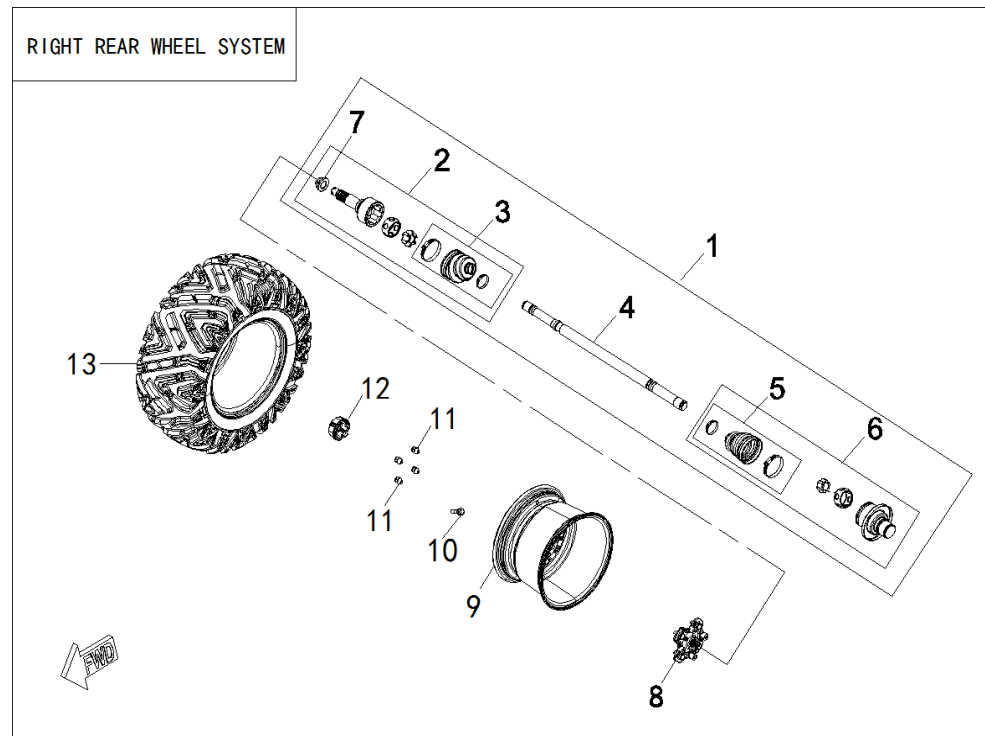
FIGUR 16
– VENSTRE BAGHJUL



DELE TIL FIG 16

Pos	Varenr / item no	Varenavn	Item name	OE	stk / qty
1	9070687	Trækaksel, komplet – venstre bag	LEFT REAR BALL CAGE OF SEMI-SHAFT	262050003-0001	1
2	N/A	Knokkelled (indre), venstre bag	THE BALL CAGE	264580003-0001	1
3	9070688	Manchet (indre), venstre bag	INNER BALL CAGE REPAIR KIT	264600003-0001	1
4	N/A	Aksel, venstre bag	INTERMEDIATE SHAFT	197470004-0001	1
5	9070689	Manchet, bag	EXTERNAL BALL CAGE REPAIR KIT	264610002-0001	1
6	N/A	Knokkelled (ydre) venstre bag	OUTSIDE OF THE BALL CAGE	264590002-0001	1
7	N/A	Møtrik	NUT, HEXAGON HEAD	380340219-0001	1
8	9070679	Nav, for & bag	LAND, REAR WHEEL	290270017-0001	1
9	9070690	Fælg, bag	HUB, REAR WHEEL	290280075-0001	1
10	9070682	Hjilmøtrik, for & bag	TAPER NUT	381590001-0001	4
11	9070681	Ventil, slangeløs – for & bag	CORE & CAP, VALVE	293620003-0001	1
12	9070683	Navkapsel, for & bag	DECORATIVE COVER OF FRONT WHEEL	297780003-0001	1
13	9070691	Dæk, bag – 25x10-12	TYRE ASSY.	290150955-0001	1

FIGUR 17
– HØJRE BAGHJUL



DELE TIL FIG 17

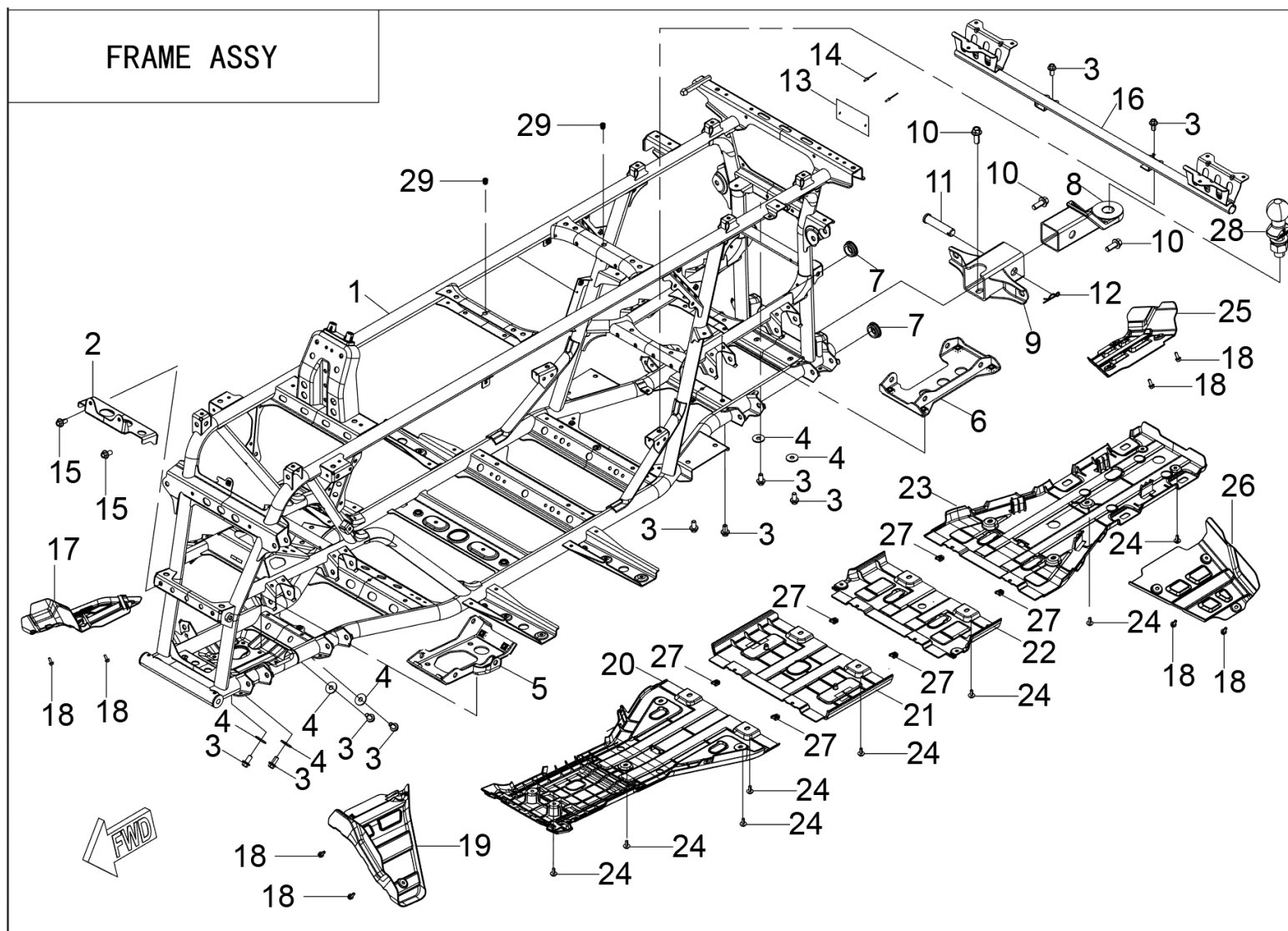
Pos	Varenr / item no	Varenavn	Item name	OE	stk / qty
1	9070692	Trækaksel, komplet – højre bag	RIGHT REAR BALL CAGE OF SEMI-SHAFT	262040003-0001	1
2	N/A	Knokkelled (indre), højre bag	THE BALL CAGE	264590002-0001	1
3	9070689	Manchet, bag	INNER BALL CAGE REPAIR KIT	264610002-0001	1
4	N/A	Aksel, højre bag	INTERMEDIATE SHAFT	197470005-0001	1
5	9070693	Manchet (ydre), højre bag	EXTERNAL BALL CAGE REPAIR KIT	264600004-0001	1
6	N/A	Knokkelled (ydre), højre bag	OUTSIDE OF THE BALL CAGE	264580004-0001	1
7	N/A	Møtrik	NUT, HEXAGON HEAD	380340219-0001	1
8	9070679	Nav, for & bag	LAND, REAR WHEEL	290270017-0001	1
9	9070690	Fælg, bag	HUB, REAR WHEEL	290280075-0001	1
10	9070682	Hjulmøtrik, for & bag	TAPER NUT	381590001-0001	4
11	9070681	Ventil, slangeløs – for & bag	CORE & CAP, VALVE	293620003-0001	1
12	9070683	Navkapsel, for & bag	DECORATIVE COVER OF FRONT WHEEL	297780003-0001	1
13	9070691	Dæk, bag – 25x10-12	TYRE ASSY.	290150955-0001	1

Kontakt
Tlf salgsafdeling: 7021 2626
Tlf teknisk support: 7696 2326

P. Lindberg A/S
Sdr. Ringvej 1
DK – 6600 Vejen

RES LONCIN XWOLF 700L DK V1
www.p-lindberg.dk
e-mail: salg@p-lindberg.dk

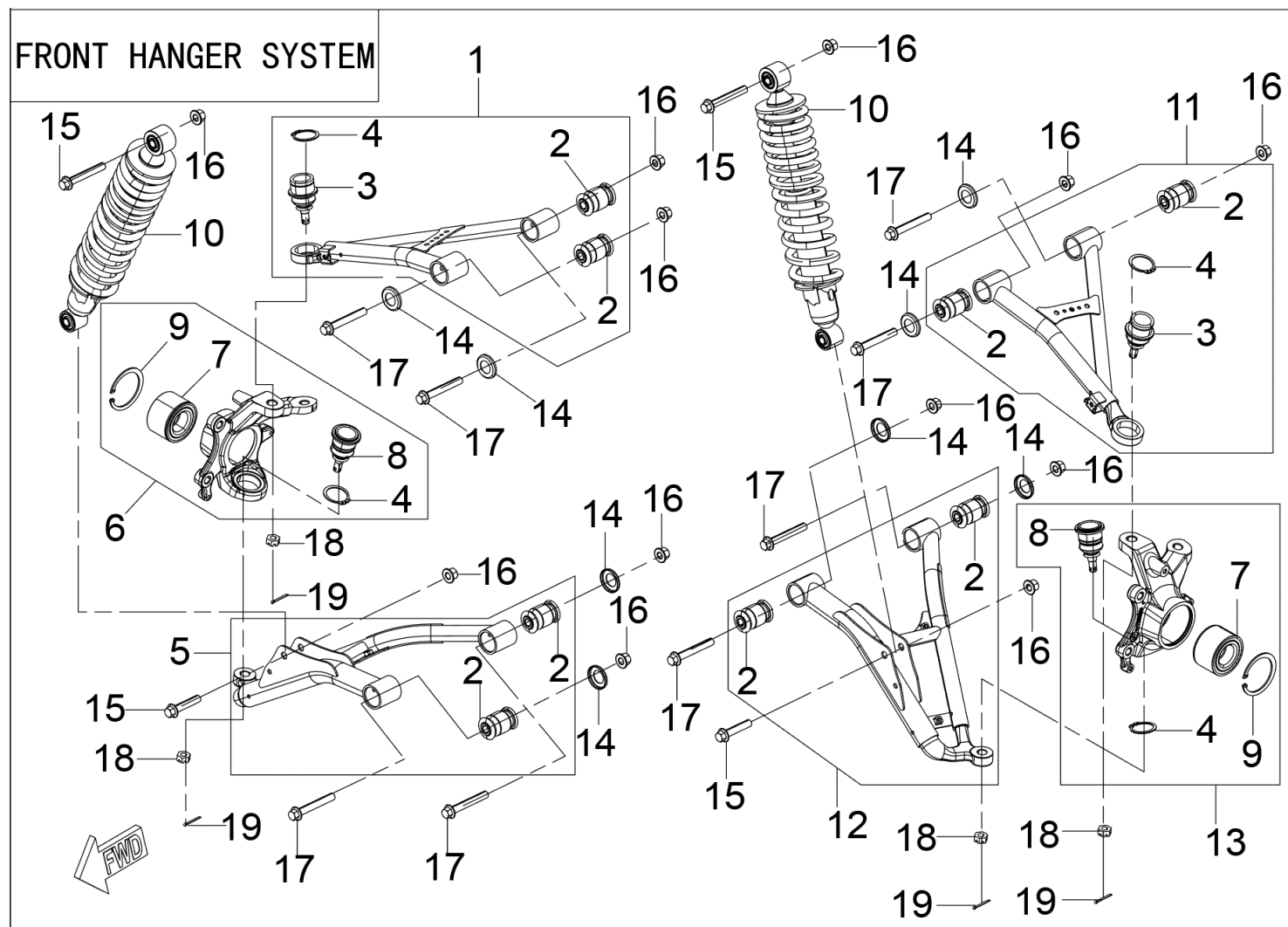
FIGUR 18
- STEL



DELE TIL FIG 18

Pos	Varenr / item no	Varenavn	Item name	OE	stk / qty
1	N/A	Hovedramme, komplet	BODY COMP., FRAME	300121447-0002	1
2	N/A	Kølerbeslag	HOLDER SEAT OF HEAT RADIATOR	431840034-0001	1
3	N/A	Bolt	BOLT, HEXAGON FLANGE	380140883-0002	8
4	N/A	Skive	WASHER, PLAIN	380451002-0003	6
5	N/A	Monteringsplade t/gearkasse, front	GEARBOX SUPPORT	308300001-0001	1
6	N/A	Monteringsplade t/gearkasse, bag	GEARBOX SUPPORT	308300002-0001	1
7	N/A	Prop	STOPPER	381000187-0001	2
8	9070694	Trailerbeslag	BRACKET OF TRAILER	362470004-0001	1
9	N/A	Samleled	DRAG AND DROP CONNECTOR	308270002-0001	1
10	N/A	Bolt	BOLT, HEXAGON FLANGE	380140178-0005	3
11	N/A	Splitbolt	PIN, CLEVIS	380610387-0001	1
12	N/A	Hårnålesplit	R-SHAPED LOCKING PIN	382470003-0001	1
13	N/A	Maskinskilt	NAMEPLATE, FRAME	370410442-0001	1
14	N/A	Popnitte	RIVET	380580084-0001	2
15	N/A	Bolt	BOLT, HEXAGON FLANGE	380140040-0012	2
16	N/A	Beslag for fodhviler	HOLD COMP., LEFT PILLION STEP	312170143-0001	1
17	9070695	Sideplade, højre for	PROTECTIVE PLATE OF ROCKER ARM	317850003-0001	1
18	N/A	Bolt	BOLT, HEXAGON FLANGE	380140013-0013	8
19	9070696	Sideplade, venstre for	PROTECTIVE PLATE OF ROCKER ARM	317850002-0001	1
20	9070697	Midterbundplade – for	FRONT PROTECTIVE PLATE OF BOTTOM	306560005-0001	1
21	9070698	Midterbundplade – center for	MIDDLE PROTECTIVE PLATE OF BOTTOM	306570002-0001	1
22	9070699	Midterbundplade – center bag	MIDDLE PROTECTIVE PLATE OF BOTTOM	306570003-0001	1
23	9070700	Midterbundplade – bag	REAR PROTECTIVE PLATE OF BOTTOM	306550005-0001	1
24	N/A	Boltsæt	BOLT/SCREW/WASHER, PALIN COMP.	380710015-0003	18
25	9070701	Sideplade, højre bag	PROTECTIVE PLATE OF ROCKER ARM	317850005-0001	1
26	9070702	Sideplade, venstre bag	PROTECTIVE PLATE OF ROCKER ARM	317850004-0001	1
27	N/A	Møtrik	NUT, CLIP	380420062-0001	6
28	9070703	Kugle til anhængergreb	BALL, TRAILER	260610005-0003	1
29	N/A	Møtrik	RIVET NUT	381870006-0001	2

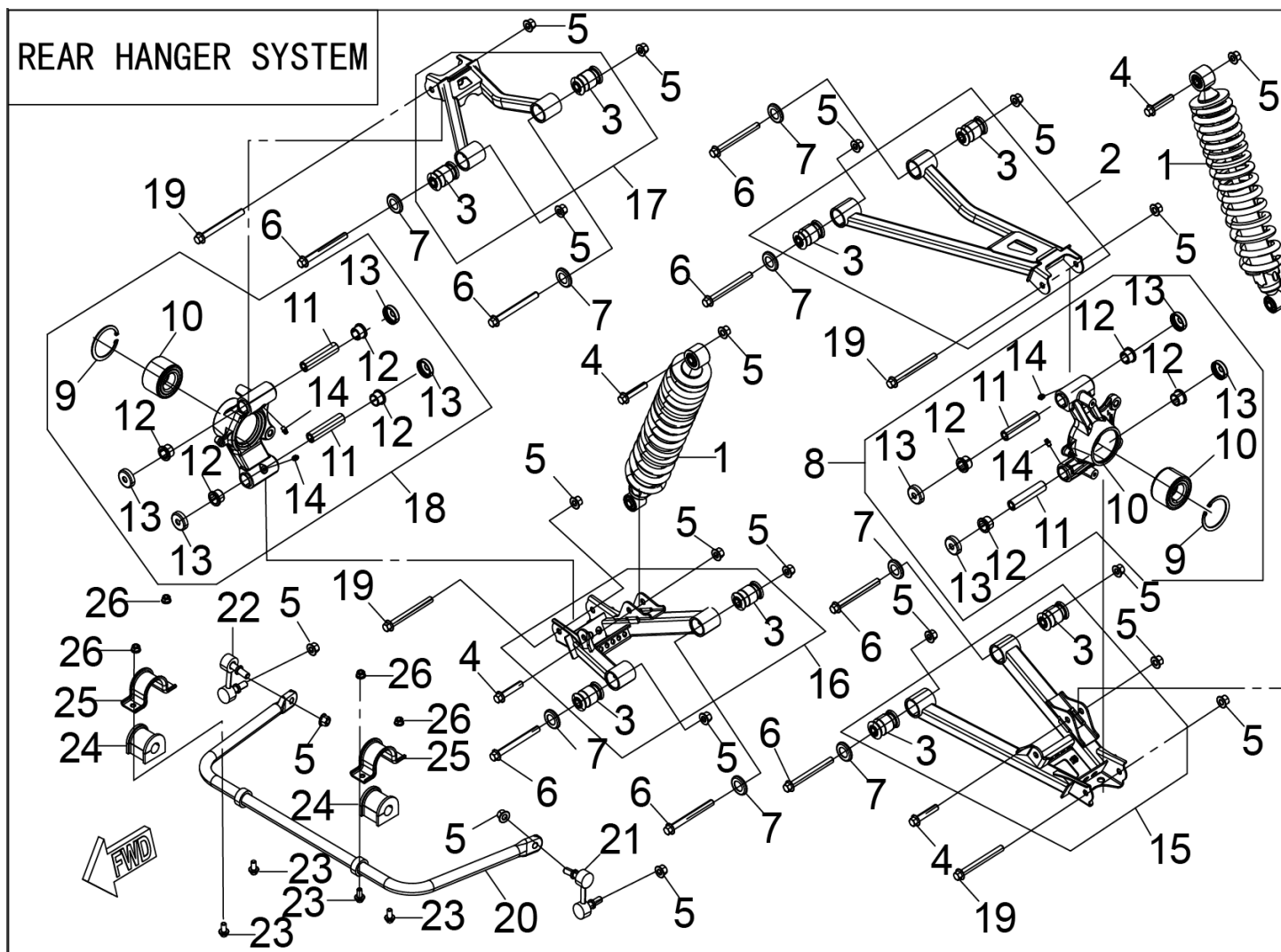
FIGUR 19
– FORHJULSOPHÆNG



DELE TIL FIG 19

Pos	Varenr / item no	Varenavn	Item name	OE	stk / qty
1	9070704	Bæream, højre for (op)	UPPER ROCKER ARM COMP. OF RIGHT FRONT	317700006-0001	1
2	9070705	Gummibøsning	RUBBER JACKET, FRONT ROCKER ARM	312610005-0001	8
3	9070706	Bærekugle (op)	HINGE OF UPPER ROCKER ARM	317960002-0001	2
4	N/A	Låsering	CHECK RING, ELASTIC	380550109-0002	4
5	9070707	Bæream, højre for (ned)	LOWER ROCKER ARM COMP. OF RIGHT FRONT	317730006-0001	1
6	9070708	Styrespindel, højre	RIGHT TURNING JOINT COMP.	317910008-0001	1
7	9070709	Kugleleje	BEARING	380630565-0001	2
8	9070710	Bærekugle (ned)	HINGE OF LOWER ROCKER ARM	317960003-0001	2
9	N/A	Låsering	CHECK RING, ELASTIC	380550121-0001	2
10	9070711	Støddæmper, for	SHOCK ABSORBER, LEFT FRONT	310450778-0001	2
11	9070712	Bæream, venstre for (ned)	LOWER ROCKER ARM COMP. OF LEFT FRONT	317780009-0001	1
12	9070713	Bæream, venstre for (op)	UPPER ROCKER AMR COMP. OF LEFT FRONT	317750008-0001	1
13	9070714	Styrespindel, venstre	LEFT TURNING JOINT COMP.	317940008-0001	1
14	N/A	Skive	WASHER, FLANGE	380470138-0001	8
15	N/A	Bolt	BOLT, HEXAGON FLANGE	380140711-0002	4
16	N/A	Møtrik	NUT, ALL-METAL HEXAGON WITH FLANGE	380400042-0002	12
17	N/A	Bolt	BOLT, HEXAGON FLANGE	380140577-0002	8
18	N/A	Møtrik	NUT, HEXAGON SLOTTED	380410047-0001	4
19	N/A	Split	PIN, COTTER	380590006-0007	4

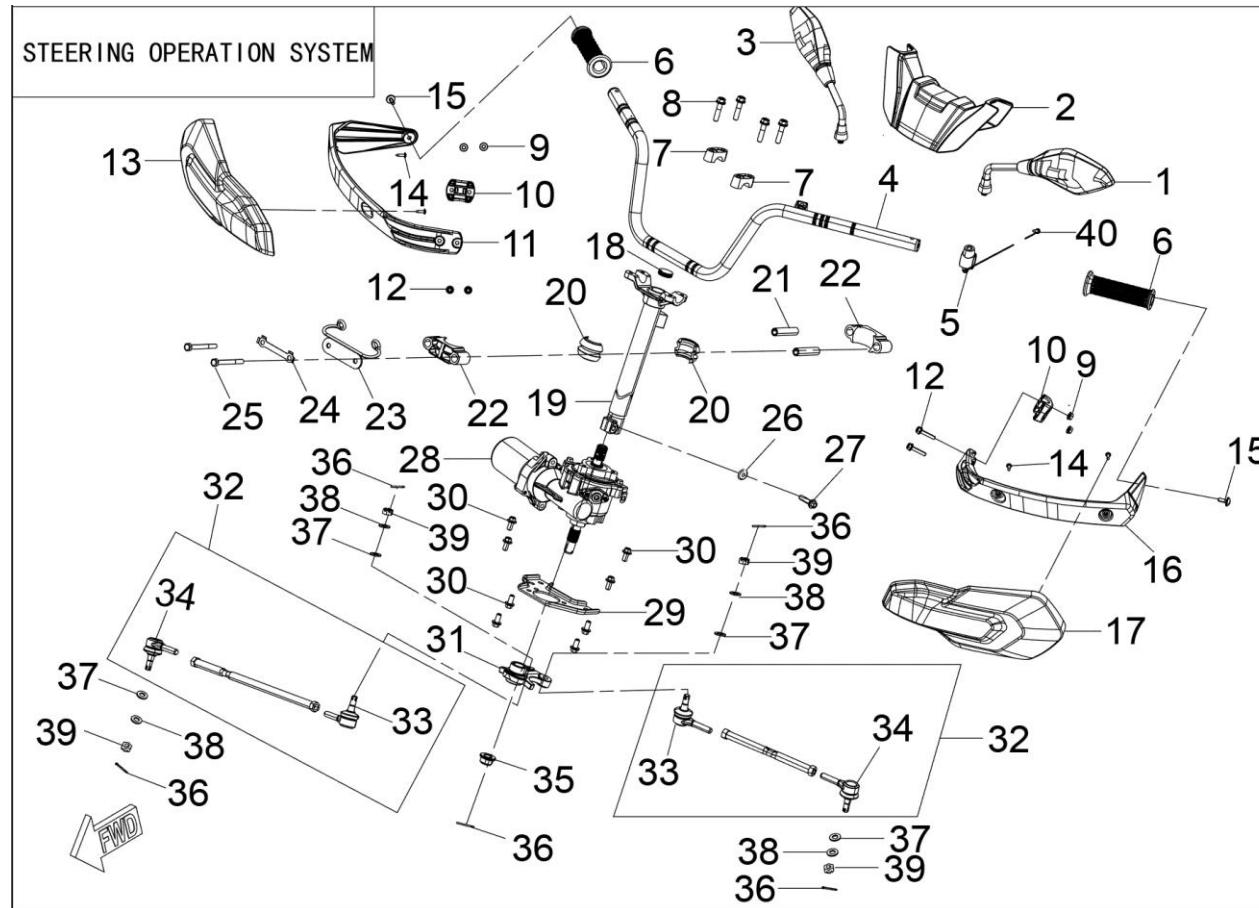
FIGUR 20
– BAGTØJ



DELE TIL FIG 20

Pos	Varenr / item no	Varenavn	Item name	OE	stk / qty
1	9070715	Støddæmper, bag	ABSORBER ASSY., LEFT REAR SHOCK	310790633-0001	2
2	9070716	Bærearml, venstre bag (op)	UPPER ROCKER ARM COMP. OF LEFT REAR	317580003-0001	1
3	N/A	Gummibøsning	RUBBER JACKET, FRONT ROCKER ARM	312610005-0001	8
4	N/A	Bolt	BOLT, HEXAGON FLANGE	380140711-0002	4
5	N/A	Møtrik	NUT, ALL-METAL HEXAGON WITH FLANGE	380400042-0002	20
6	N/A	Bolt	BOLT, HEXAGON FLANGE	380140577-0002	8
7	N/A	Skive	WASHER, FLANGE	380470138-0001	8
8	9070717	Hjulophæng, venstre	DRIVING JOINT COMP.	317810003-0001	1
9	N/A	Låsering	CHECK RING, ELASTIC	380550121-0001	2
10	N/A	Kugleleje	BEARING	380630565-0001	2
11	N/A	Krave	COLLAR	380823829-0001	4
12	N/A	Bøsning	END JACKET OF DRIVING JOINT	313980003-0001	8
13	N/A	Støvhætte	CAP, REAR FORK DUST SEAL	311100032-0001	8
14	N/A	Smørenippel	CUP, OIL	381010010-0001	4
15	9070718	Bærearml, venstre bag (ned)	LOWER ROCKER ARM COMP. OF LEFT REAR	317620003-0001	1
16	9070719	Bærearml, højre bag (ned)	LOWER ROCKER ARM COMP. OF RIGHT REAR	317560003-0001	1
17	9070720	Bærearml, højre bag (op)	UPPER ROCKER ARM COMP. OF RIGHT REAR	317520003-0001	1
18	9070721	Hjulophæng, højre	DRIVING JOINT COMP.	317810004-0001	1
19	N/A	Bolt	BOLT, HEXAGON FLANGE	380140478-0002	4
20	N/A	Krængningsstabilisator	REAR STABLE ROD ASSY.	317490002-0001	1
21	N/A	Stabilisatorbolt, venstre	STABLE ROD ARM OF LEFT REAR	317610001-0001	1
22	N/A	Stabilisatorbolt, højre	PUSHING ROD COMP. OF RIGHT REAR STABLE	317550001-0001	1
23	N/A	Bolt	BOLT, HEXAGON FLANGE	380140040-0012	4
24	9070722	Gummidæmper (bagtøj)	DAMPING JACKET	382430001-0001	2
25	9070723	Clamp (bagtøj)	CLAMP	382450002-0001	2
26	N/A	Møtrik	NUT, ALL-METAL HEXAGON	380390008-0004	4

FIGUR 21
– STYR



DELE TIL FIG 21

Pos	Varenr / item no	Varenavn	Item name	OE	stk / qty
1	9070408	Sidespejl, venstre	MIRROR, LEFT REAR VIEW	360500371-0005	1
2	9070724	Cover v/styr	COVER, STEERING HANDLE PIPE DECORATIVE	342570018-0001	1
3	9070407	Sidespejl, højre	MIRROR, RIGHT REAR VIEW	360530373-0007	1
4	9070725	Styr (rørstykke)	PIPE COMP., STEERING HANDLE	320010344-0001	1
5	9070406	Sidespejlsholder, højre og venstre	SEAT, LEFT REAR VIEW MIRROR	271480050-0001	1
6	9070726	Håndtag (sæt)	GRIP SET, HANDLE	320180302-0001	2
7	N/A	Monteringsbeslag	HOLDER, STEERING HANDLE PIPE	310200057-0001	2
8	N/A	Bolt	BOLT, HEXAGON FLANGE	380140051-0010	4
9	9070727	Blindmøtrik	ACORN NUT	380330010-0008	4

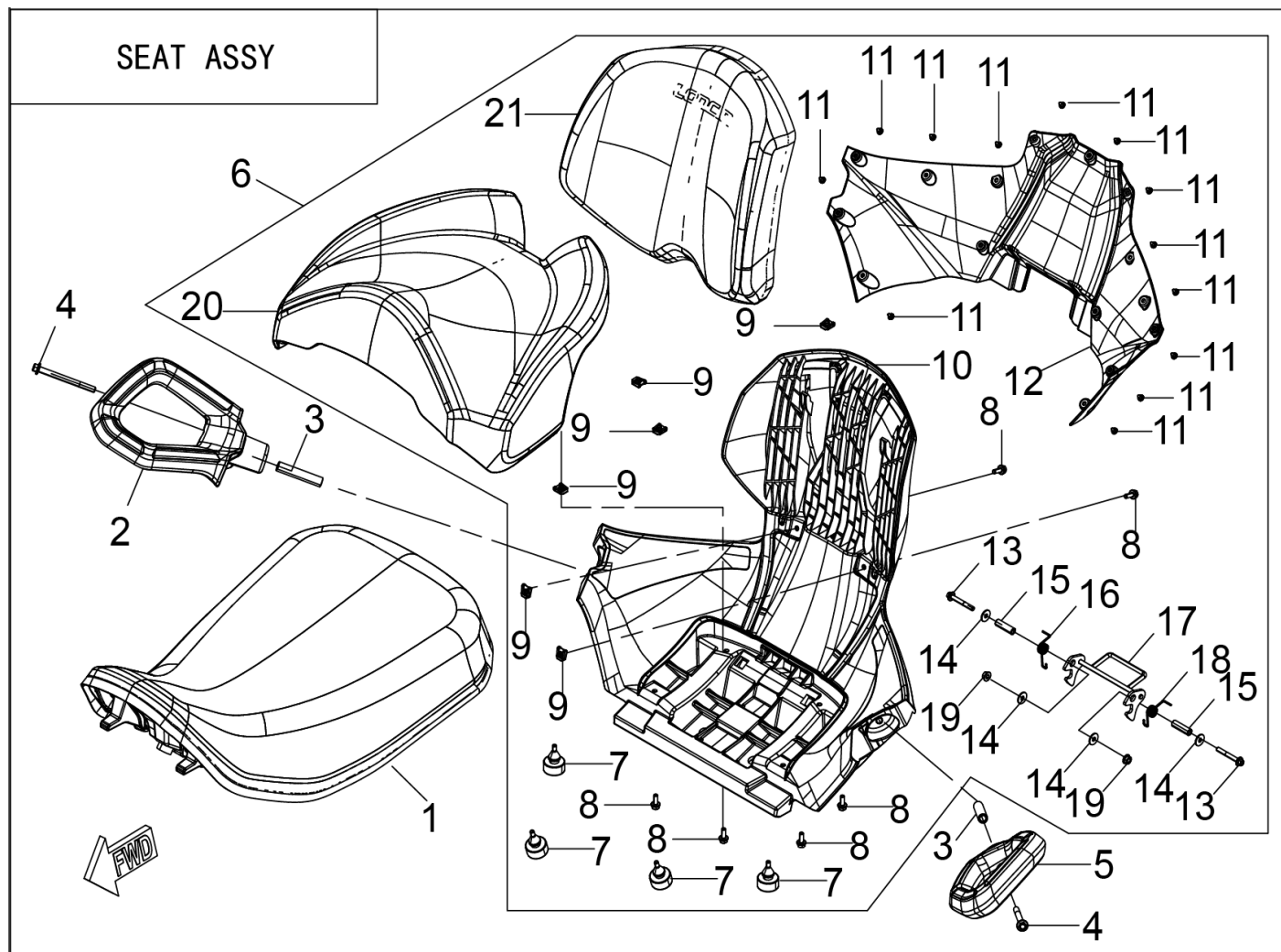
Kontakt
Tlf salgsafdeling: 7021 2626
Tlf teknisk support: 7696 2326

P. Lindberg A/S
Sdr. Ringvej 1
DK – 6600 Vejen

RES LONCIN XWOLF 700L DK V1
www.p-lindberg.dk
e-mail: salg@p-lindberg.dk

Pos	Varenr / item no	Varenavn	Item name	OE	stk / qty
10	N/A	Clips	CLIP, HANDLE SHIELD	341740009-0001	2
11	9070728	Beslag (håndbeskytter), højre	BRACKET, HANDLE SHIELD	341710023-0001	1
12	N/A	Bolt til beslag	BOLT, HEXAGON FLANGE	380140054-0011	4
13	9070729	Håndbeskytter, højre	SHIELD, RIGHT HANDLE	341720058-0001	1
14	N/A	Skrue	SCREW, CROSS RECESSED PAN SELF-TAPPING	380310006-0012	4
15	9070730	Bolt t/beslag, M6x17	BOLT, HEXAGON FLANGE WITH SHOULDER	380100002-0005	2
16	9070731	Beslag (håndbeskytter), venstre	BRACKET, HANDLE SHIELD	341710022-0001	1
17	9070732	Håndbeskytter, venstre	SHIELD, LEFT HANDLE	341700107-0001	1
18	N/A	Prop	STOPPER	381000449-0001	1
19	9070733	Styraksel	BODY SET, STEERING STEM	310130318-0001	1
20	9070734	Bøsning for styraksel	HOOP	380970251-0001	2
21	N/A	Krave	COLLAR	380824131-0001	2
22	N/A	Skive	WASHER, STEERING STEM	310340011-0001	2
23	N/A	Clamp	CLAMP, WIRE	380940852-0001	1
24	N/A	Låseskive	LOCK WASHER	290400067-0001	1
25	N/A	Bolt	BOLT, HEXAGON	380070213-0002	2
26	N/A	Skive	WASHER, ELASTIC	380460001-0013	1
27	N/A	Bolt	BOLT, HEXAGON FLANGE	380140880-0001	1
28	9070735	Servostyringsmotor	ELECTRICAL BOOSTING STEERING ASSY.	324320003-0001	1
29	N/A	Monteringsplade til servostyring	EPS MOUNTING PLATE	324340001-0001	1
30	N/A	Bolt	BOLT, HEXAGON FLANGE	380140040-0012	8
31	N/A	Holder for styraksel	BASE, STEERING STEM	310140137-0001	1
32	9070736	Sporstangsender, komplet	STEERING LINKAGE COMP.	320500027-0001	2
33	N/A	Sporstangsende, indre	SPHERE-PIN COMP., STEERING LINKAGE RIGHT	320520013-0001	2
34	N/A	Sporstangsende, ydre	SPHERE-PIN COMP., STEERING LINKAGE RIGHT	320520014-0001	2
35	N/A	Møtrik	NUT, ALL-METAL HEXAGON WITH FLANGE	380400023-0006	1
36	N/A	Split	PIN, COTTER	380590011-0006	5
37	N/A	Skive	WASHER, PLAIN	380450006-0011	4
38	N/A	Skive	WASHER, ELASTIC	380460002-0010	4
39	N/A	Møtrik	NUT, HEXAGON SLOTTED	380410008-0003	4
40	N/A	Bolt	BOLT, HEXAGON FLANGE	380140318-0004	1

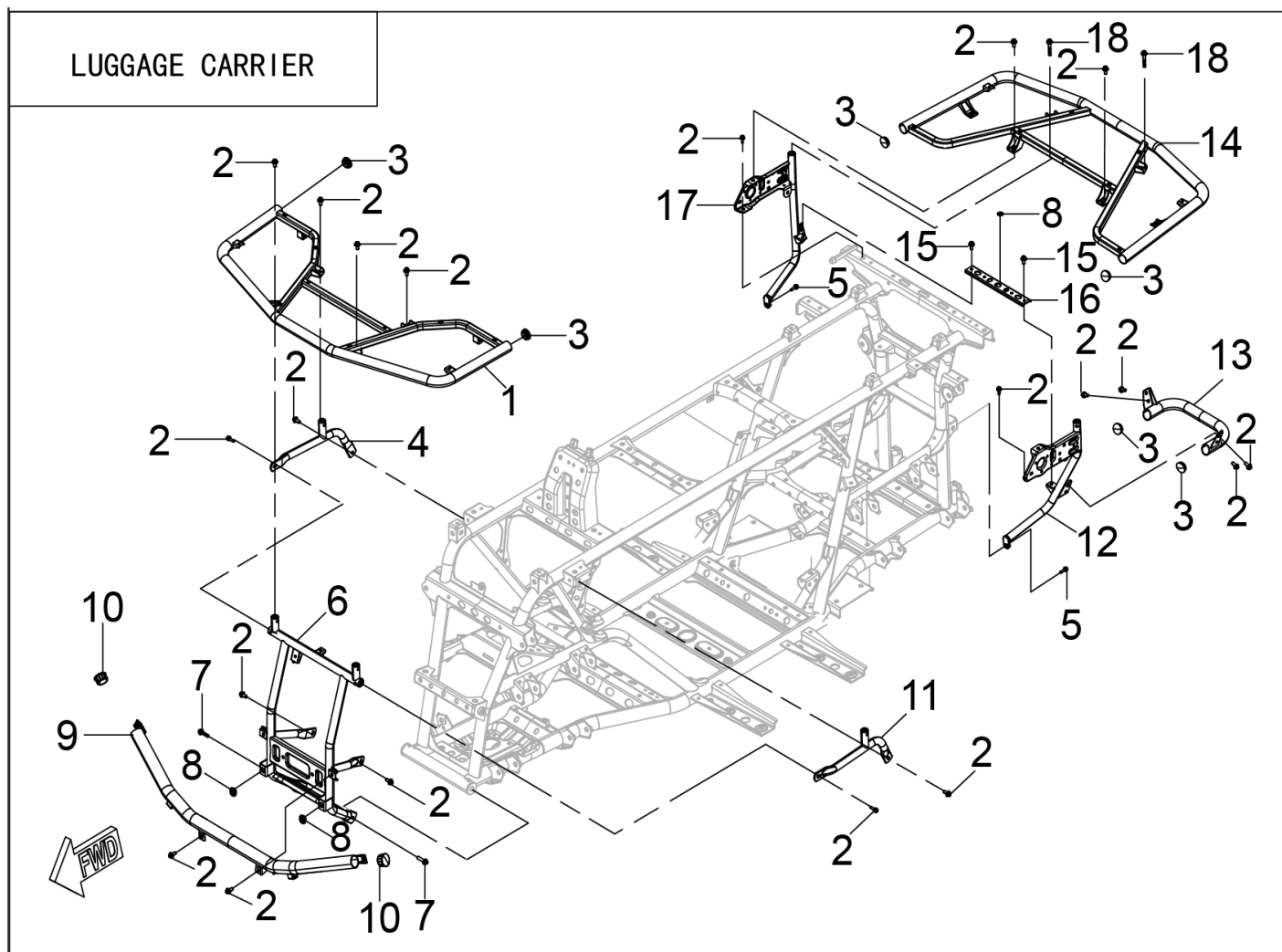
FIGUR 22
– SÆDE



DELE TIL FIG 22

Pos	Varenr / item no	Varenavn	Item name	OE	stk / qty
1	9070737	Førersæde	SEAT COMP.	330011279-0001	1
2	9070738	Armlæn (passager), bag – højre	ARMREST ASSY., REAR	330480174-0001	1
3	N/A	Krave	COLLAR	380824296-0001	1
4	N/A	Bolt	BOLT, HEXAGON FLANGE	380140190-0004	2
5	9070739	Armlæn (passager), bag – venstre	ARMREST ASSY., REAR	330480173-0001	1
6	N/A	Passagersæde, komplet	SEAT ASSY.	336600004-0001	1
7	9070740	Gummistykke v/sæde	RUBBER SHEET, SEAT BRACE	330120379-0001	4
8	N/A	Bolt	BOLT, HEXAGON FLANGE	380140013-0013	4
9	N/A	Møtrik	NUT, CLIP	380420062-0001	4
10	N/A	Rygstøtte	SEAT BASE	339880001-0001	1
11	N/A	Skrue	SCREW, CROSS RECESSED PAN SELF-TAPPING	380310038-0001	12
12	N/A	Polstring	UPHOLSTERY FOR SEAT BASE	339890001-0001	1
13	N/A	Bolt	BOLT, HEXAGON FLANGE	380140025-0007	2
14	N/A	Skive	WASHER, PLAIN	380450007-0002	4
15	N/A	Krave	COLLAR	380824285-0001	2
16	N/A	Strammefjeder	SPRING, TORSIONAL	381160356-0001	1
17	N/A	Sædelås	LOCK, SEAT	330190113-0001	1
18	N/A	Strammefjeder	SPRING, TORSIONAL	381160355-0001	1
19	N/A	Møtrik	NUT, HEXAGON FLANGE	380370003-0001	2
20	9070741	Passagersæde, base	SEAT COMP.	330011280-0001	1
21	9070742	Passagersæde, rygstøttepude	BACKREST	330330336-0001	1

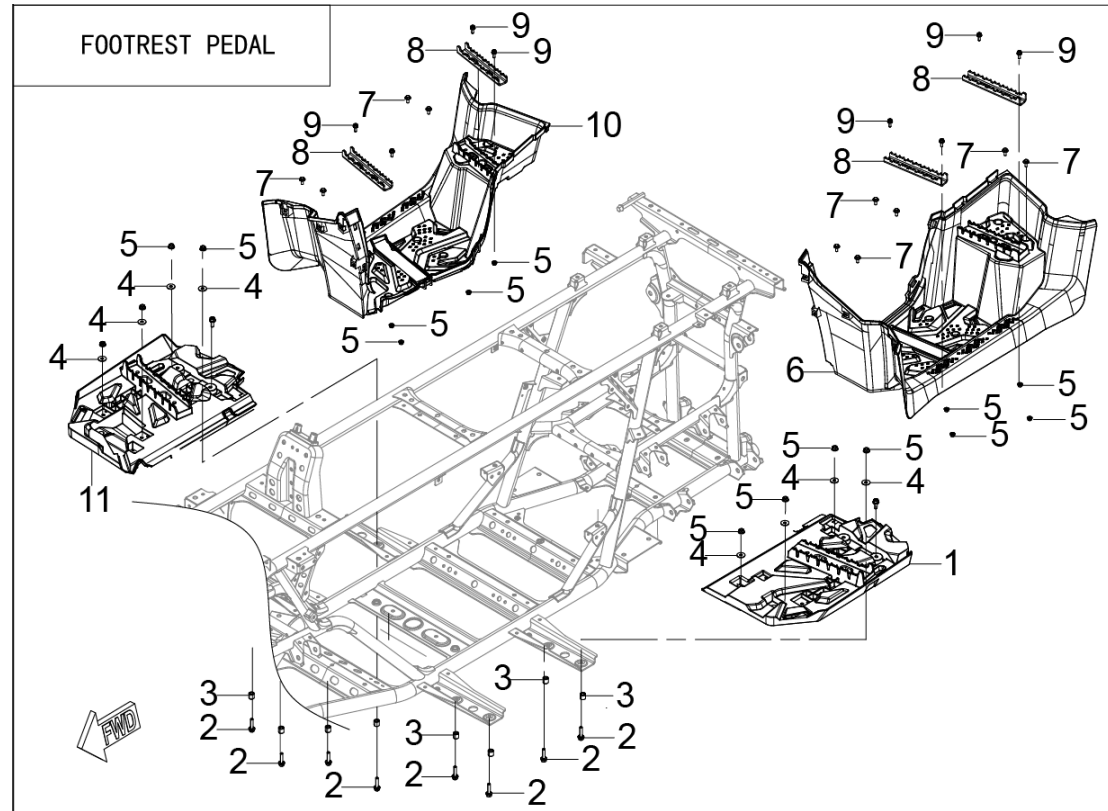
FIGUR 23
- BAGAGEBÆRER



DELE TIL FIG 23

Pos	Varenr / item no	Varenavn	Item name	OE	stk / qty
1	N/A	Bagagebærer, front	LUGGAGE CARRIER COMP., FRONT	331120046-0001	1
2	N/A	Bolt	BOLT, HEXAGON FLANGE	380140040-0012	20
3	N/A	Prop	STOPPER	381000187-0001	6
4	N/A	Beskyttelsesbøjle, højre	RIGHT PROTECTIVE TUBE	307880002-0001	1
5	N/A	Bolt	BOLT, HEXAGON FLANGE	380140004-0009	2
6	N/A	Kofanger, front	BUMPER	307690007-0001	1
7	N/A	Bolt	BOLT, HEXAGON FLANGE	380140093-0008	2
8	N/A	Gummibøsning	I-RUBBER	380910037-0001	3
9	9070743	Kofangerdel, front	BUMPER	307690006-0001	1
10	N/A	Prop	STOPPER	381000537-0001	2
11	N/A	Beskyttelsesbøjle, venstre	LEFT PROTECTIVE TUBE	307870003-0001	1
12	N/A	Bøjle, venstre side	BRACE, LUGGAGE CARRIER LEFT MOUNTING	300880080-0001	1
13	N/A	Kofangerdel, bag	BUMPER	307690008-0001	1
14	N/A	Kofanger, bag	LUGGAGE CARRIER COMP., REAR	330640750-0001	1
15	N/A	Bolt	BOLT, HEXAGON FLANGE	380140013-0013	2
16	N/A	Forstærkningsplade	REINFORCEMENT PLATE	306970130-0001	1
17	N/A	Bøjle, højre side	LUGGAGE CARRIER RIGHT MOUNTING	300890054-0001	1
18	N/A	Bolt	BOLT, HEXAGON FLANGE	380140051-0010	2

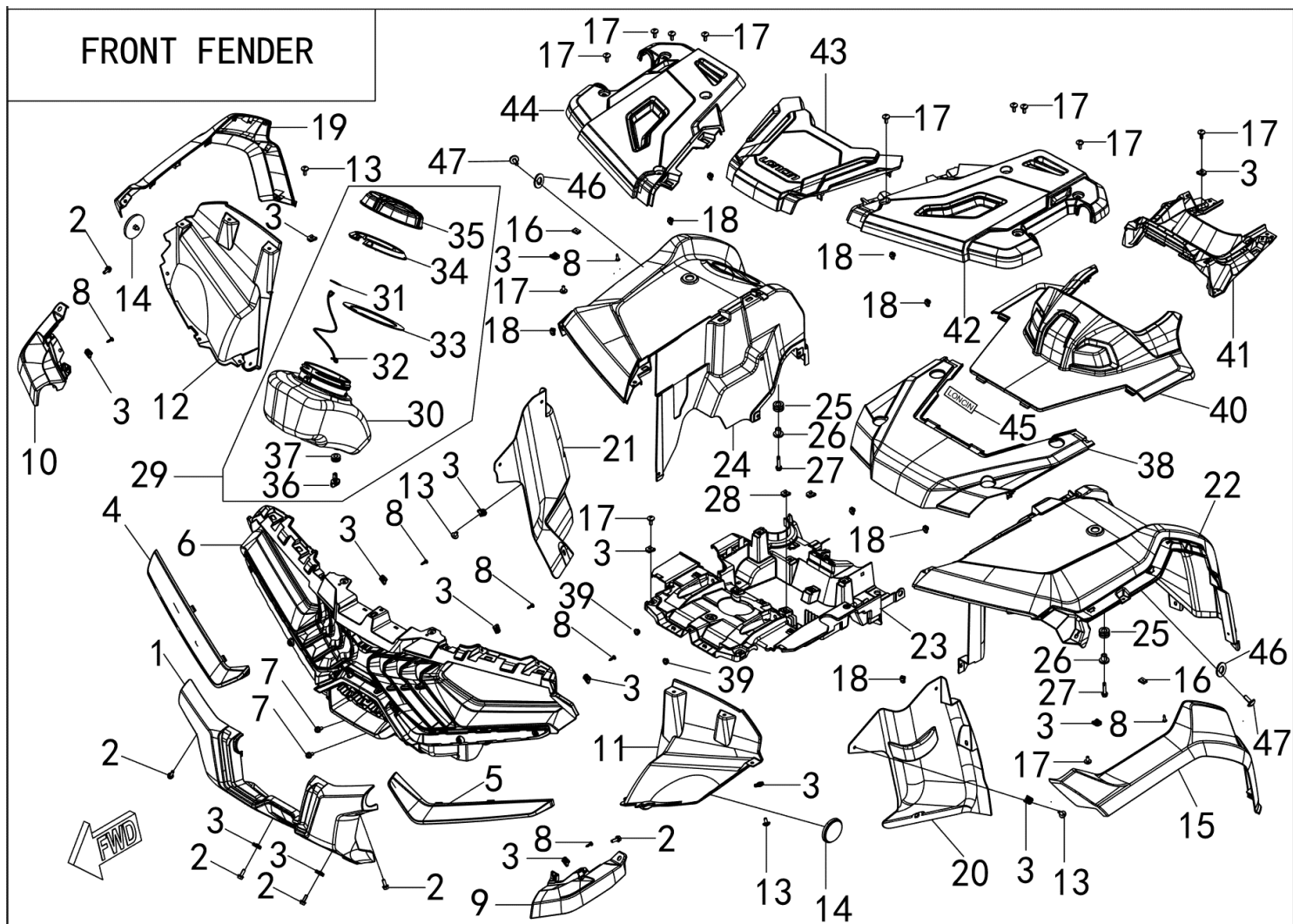
FIGUR 24
- FODHVILERE



DELE TIL FIG 24

Pos	Varenr / item no	Varenavn	Item name	OE	stk / qty
1	9070744	Holder for venstre fodhviler	<i>HOLD COMP., LEFT STEP</i>	311670086-0001	1
2	N/A	Bolt	<i>BOLT, HEXAGON FLANGE</i>	380140103-0015	8
3	N/A	Krave	<i>COLLAR</i>	380821805-0001	8
4	N/A	Skive	<i>WASHER, PLAIN</i>	380450007-0014	8
5	N/A	Møtrik	<i>NUT, HEXAGON FLANGE</i>	380400004-0005	8
6	9070745	Fodhviler, venstre	<i>BACKPLANE, FOOTREST</i>	342130189-0001	1
7	N/A	Bolt	<i>BOLT, HEXAGON FLANGE</i>	380140013-0016	14
8	N/A	Fodstøtte, passager (venstre & højre)	<i>SHOE PLATE, PILLION STEP</i>	300930065-0001	4
9	N/A	Bolt	<i>BOLT, HEXAGON FLANGE</i>	380140013-0013	8
10	9070746	Fodhviler, højre	<i>BACKPLANE, FOOTREST</i>	342130190-0001	1
11	9070747	Holder for højre fodhviler	<i>HOLD COMP., RIGHT STEP</i>	311680087-0001	1

FIGUR 25
- FOR KOFANGER



DELE TIL FIG 25

Pos	Varenr / item no	Varenavn	Item name	OE	stk / qty
1	9070748	Cover for kofanger	COVER COLLISION BUMPER	343920011-0001	1
2	N/A	Bolt	BOLT, HEXAGON FLANGE	380140013-0013	6
3	N/A	Møtrik	NUT, CLIP	380420062-0001	45
4	9070749	Panelstykke / staffage – højre	STRIP, FRONT PANEL DECORATIVE, RIGHT	343140028-0001	1
5	9070750	Panelstykke / staffage – venstre	STRIP, FRONT PANEL DECORATIVE, LEFT	343140027-0001	1
6	9070751	Lygtehuspanel, forlygter	LENS, HEAD LIGHT LEFT DECORATING	280560060-0001	1
7	N/A	Bolt	BOLT, HEXAGON FLANGE	380140067-0013	2
8	9070752	Skrue v/forlygte sidecover	SCREW, CROSS RECESSED PAN SELF-TAPPING	380310006-0012	18
9	9070753	Forlygte sidecover, venstre	LEFT DECORATIVE PIECE OF HEADLIGHT	348070005-0001	1
10	9070754	Forlygte sidecover, højre	RIGHT DECORATIVE PIECE OF HEADLIGHT	348080005-0001	1
11	9070755	Forlygte skærm, venstre	SHIELD, HEAD LIGHT PROTECTIVE	280540041-0001	1
12	9070756	Forlygte skærm, højre	SHIELD, HEAD LIGHT PROTECTIVE	280540042-0001	1
13	9070674	Skrue M6x12	SCREW, HEXAGON SOCKET	380190007-0005	30
14	9070758	Refleks, rund	REFLECTOR, LEFT REFLEX	280010031-0002	2
15	9070759	Skærmforøger, venstre	GUARD PLATE, FRONT FENDER LEFT	340170009-0001	1
16	N/A	Møtrik	NUT, CLIP	380420001-0006	8
17	9070411	Skrue M6x16	SCREW, HEXAGON SOCKET	380190001-0007	33
18	N/A	Clips	FIXING CLIP	277840016-0001	8
19	9070761	Skærmforøger, højre	GUARD PLATE, FRONT FENDER RIGHT	340180009-0001	1
20	9070762	Inderskærm, venstre	LEFT LOWER FENDER	348840002-0001	1
21	9070763	Inderskærm, højre	RIGHT LOWER FENDER	348750002-0001	1
22	9070764	Forskærm, venstre	LEFT UPPER FENDER	348830002-0014	1
23	N/A	Batteriholder	CASE, BATTERY	272800027-0001	1
24	9070765	Forskærm, højre	RIGHT UPPER FENDER	348740002-0014	1
25	9070431	Gummistykke	I-RUBBER	380890129-0001	2
26	N/A	Krave	COLLAR	380824134-0001	2
27	N/A	Bolt	BOLT, HEXAGON FLANGE	380140054-0011	2
28	N/A	Møtrik	NUT, CLIP	380420070-0001	2
29	9070766	Opbevaringsrum, front - komplet	CASE COMP., FRONT LUGGAGE	350010011-0001	1
30	N/A	Opbevaringsrum, front	BODY SET, FRONT LUGGAGE CASE	350020182-0001	1
31	N/A	Låsekabel	DRAWING CABLE BRACKET	196970014-0001	1

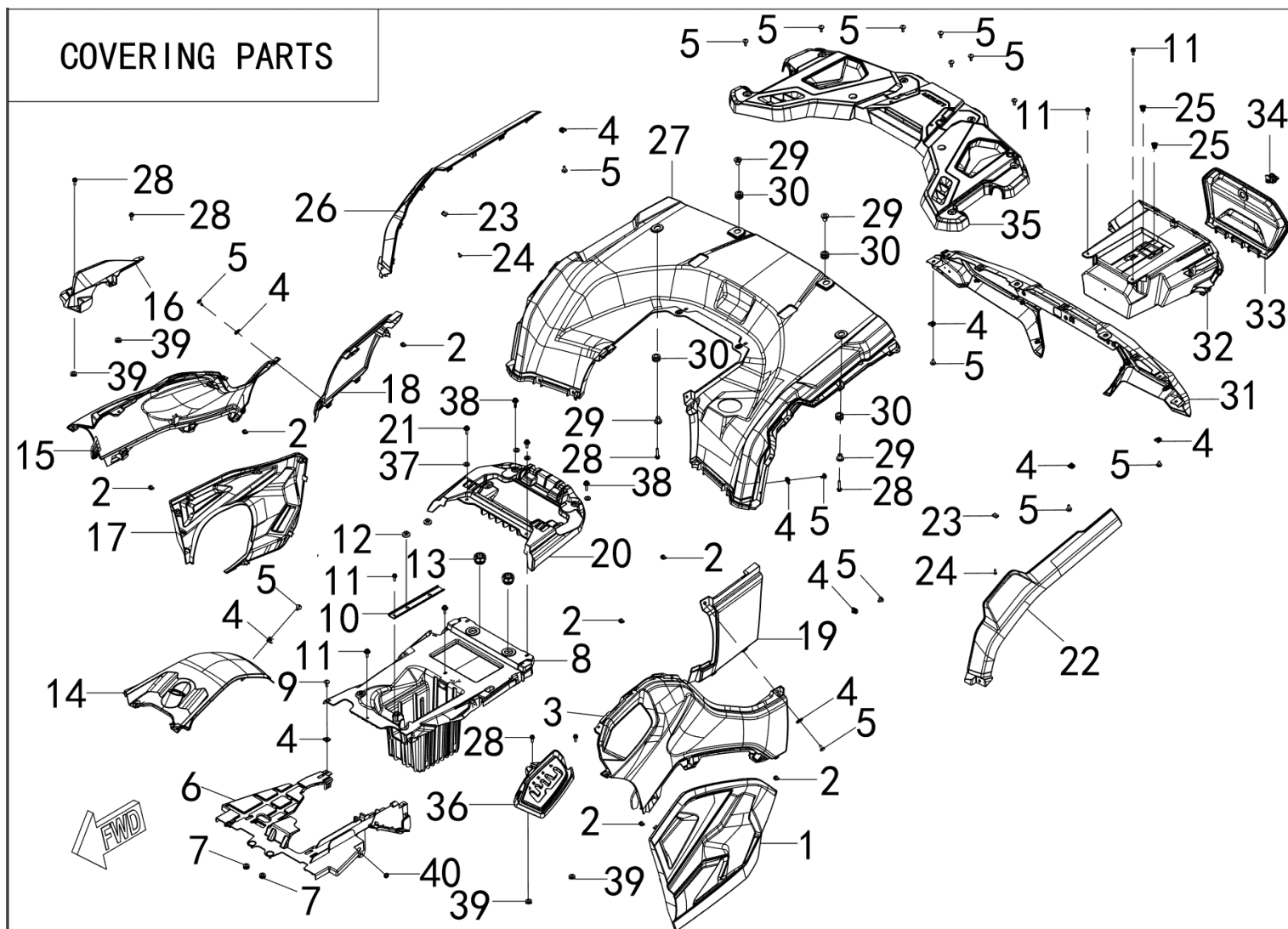
Kontakt
Tlf salgsafdeling: 7021 2626
Tlf teknisk support: 7696 2326

P. Lindberg A/S
Sdr. Ringvej 1
DK – 6600 Vejen

RES LONCIN XWOLF 700L DK V1
www.p-lindberg.dk
e-mail: salg@p-lindberg.dk

Pos	Varenr / item no	Varenavn	Item name	OE	stk / qty
32	N/A	Lågeholder	TRIP ROPE	193530033-0001	1
33	9070767	Tætningsring	RING, SEAL	380841474-0001	1
34	N/A	Clamp	CLAMP	382450017-0001	1
35	9070768	Dæksel til opbevaringsrum	COVER, FRONT LUGGAGE CASE	350030124-0001	1
36	N/A	Prop	STOPPER	381000551-0001	1
37	N/A	Gummistykke	I-RUBBER	380890220-0002	1
38	9070769	Center forskærm	PANEL,FRONT	341210468-0001	1
39	N/A	Møtrik	NUT, HEXAGON FLANGE	380370018-0002	2
40	9070770	Panel foran instrument	CAP, METER DECORATIVE	341690061-0001	1
41	9070771	Skærm for instrumentpanel	INSTRUMENT PANEL	343710059-0001	1
42	9070772	Bagagebærer, for – venstre	COVERING, FRONT LUGGAGE CARRIER	331170005-0001	1
43	9070773	Bagagebærer, for – center	COVERING, FRONT LUGGAGE CARRIER	331170004-0001	1
44	9070774	Bagagebærer, for – højre	COVERING, FRONT LUGGAGE CARRIER	331170006-0001	1
45	N/A	Logoskilt	SCUTCHEON, TYPEFACE	370380993-0001	1
46	N/A	Skive	WASHER, PLAIN	380450003-0005	2
47	9070730	Bolt t/beslag, M6x17	BOLT, HEXAGON FLANGE WITH SHOULDER	380100002-0005	2

FIGUR 26
- SKÆRMDELE



DELE TIL FIG 26

Pos	Varenr / item no	Varenavn	Item name	OE	stk / qty
1	9070775	Sidecover, front fodtrin, venstre	COVER, LEFT LOWER SIDE	340830015-0001	1
2	N/A	Clips	FIXING CLIP	277840016-0001	8
3	9070776	Cover, venstre	COVER, LEFT SIDE	340750764-0015	1
4	N/A	Møtrik	NUT, CLIP	380420062-0001	36
5	N/A	Skrue	SCREW, HEXAGON SOCKET	380190001-0007	12
6	N/A	Plade for luftfilter	GUARD PLATE, AIR CLEANER	340730007-0001	1
7	N/A	Gummistykke	I-RUBBER	380890220-0002	2
8	N/A	Batterikasse	CASE, BATTERY	271110248-0001	1
9	N/A	Skrue	SCREW, HEXAGON SOCKET	380190007-0005	9
10	N/A	Batteriholder	LIMITING PLATE OF BATTERY INSTALLATION	339140004-0001	1
11	N/A	Bolt	BOLT, HEXAGON FLANGE	380140013-0013	7
12	N/A	Bøsning	BUSH, MUFFLER FIXING CUSHION	181870002-0001	2
13	9070430	Gummidæmper v/batterikasse	RUBBER SHEET, SEAT BRACE	330120335-0001	2
14	9070777	Luftfilterdæksel	AIR FILTER COVER	349140002-0001	1
15	9070778	Cover, højre	COVER, RIGHT SIDE	340870805-0017	1
16	9070779	Cover for cigarstik	CIGARETTE LIGHTER COVER	349160002-0001	1
17	9070780	Sidecover, front fodtrin, højre	COVER, RIGHT LOWER SIDE	340960021-0001	1
18	9070781	Sidecover v/fodtrin, højre	COVER, RIGHT REAR SIDE	341050058-0001	1
19	9070782	Sidecover v/fodtrin, venstre	COVER, LEFT REAR SIDE	341030058-0001	1
20	N/A	Sædebeslag	SEAT SUPPORT PLATE	308440003-0001	1
21	N/A	Bolt	BOLT, HEXAGON FLANGE	380140077-0012	4
22	9070783	Skærmkant, bag - venstre	GUARD PLATE, REAR FENDER LEFT	340460022-0001	1
23	N/A	Skrue	SCREW, CROSS RECESSED PAN SELF-TAPPING	380310006-0012	13
24	N/A	Møtrik	NUT, CLIP	380420001-0006	8
25	N/A	Prop	STOPPER	381000311-0001	2
26	9070784	Skærmkant, bag - højre	GUARD PLATE, REAR FENDER RIGHT	340470026-0001	1
27	9070785	Bagskærm	FENDER COMP., REAR	340660406-0024	1
28	N/A	Bolt	BOLT, HEXAGON FLANGE	380140054-0011	6
29	N/A	Krave	COLLAR	380824134-0001	4
30	9070431	Gummistykke	I-RUBBER	380890129-0001	4
31	9070786	Lygtehuspanel, baglygte	LENS, TAIL LIGHT PROTECTIVE	283360030-0001	1

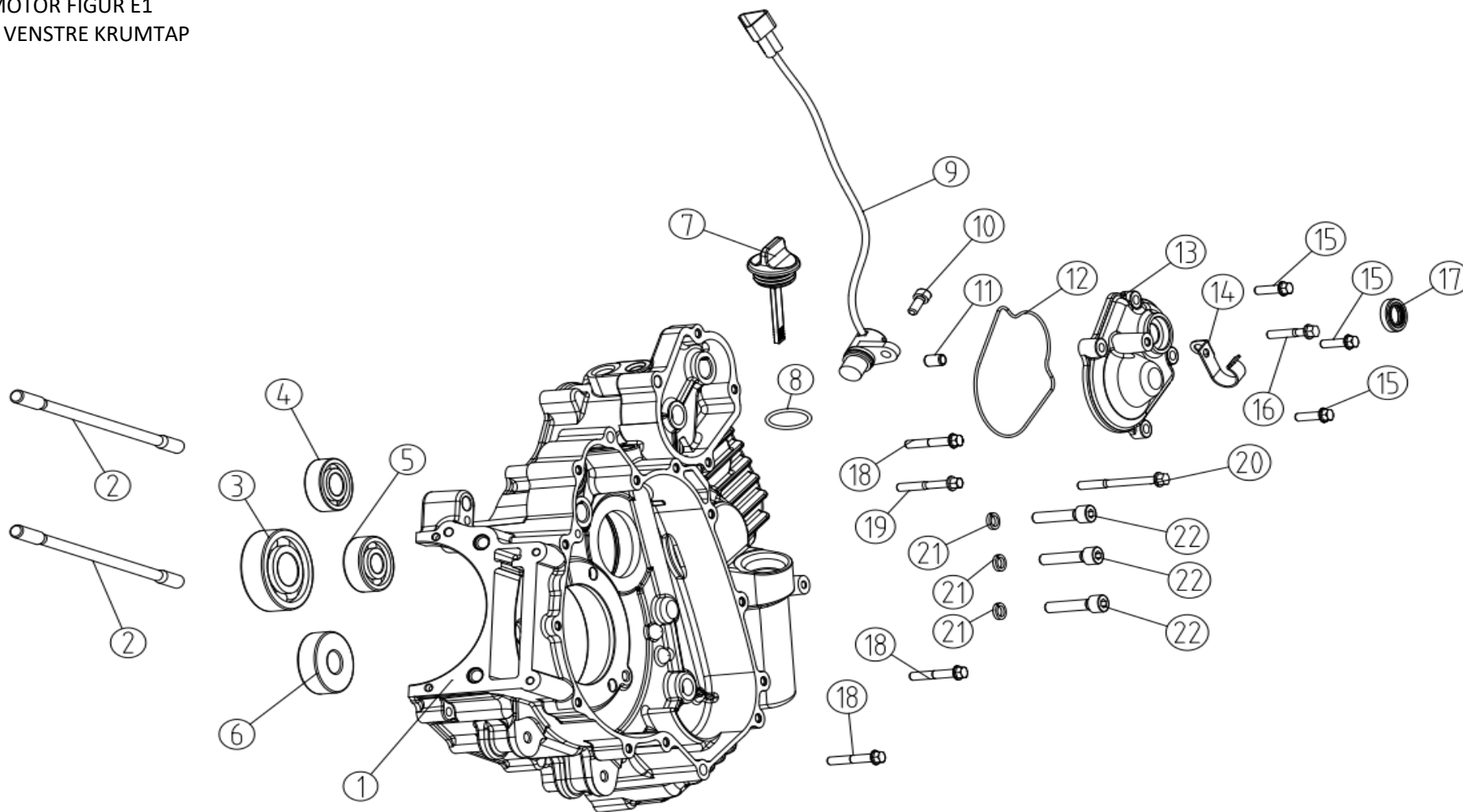
Kontakt
Tlf salgsafdeling: 7021 2626
Tlf teknisk support: 7696 2326

P. Lindberg A/S
Sdr. Ringvej 1
DK - 6600 Vejen

RES LONCIN XWOLF 700L DK V1
www.p-lindberg.dk
e-mail: salg@p-lindberg.dk

Pos	Varenr / item no	Varenavn	Item name	OE	stk / qty
32	9070787	Opbevaringsrum, bag	REAR BOX	353550001-0001	1
33	9070788	Låg til opbevaringsrum	COVER, REAR LUGGAGE CASE	350240010-0001	1
34	9070789	Lås til opbevaringsrum, bag	LOCK OF FRONT STORAGE BOX	347210002-0001	1
35	9070790	Bagagebærer	COVERING, REAR LUGGAGE CARRIER	331560013-0001	1
36	9070791	Cover for gearstang	COVER, REVERSE GEAR CONTROL DECORATING	195870006-0001	1
37	N/A	Skive	WASHER, PLAIN	380450007-0014	6
38	N/A	Bolt	BOLT, HEXAGON FLANGE	380140103-0015	2
39	N/A	Møtrik	NUT, HEXAGON FLANGE	380370018-0002	4
40	N/A	Gummistykke	I-RUBBER	380910037-0001	1

MOTOR FIGUR E1
– VENSTRE KRUMTAP



Kontakt
Tlf salgsafdeling: 7021 2626
Tlf teknisk support: 7696 2326

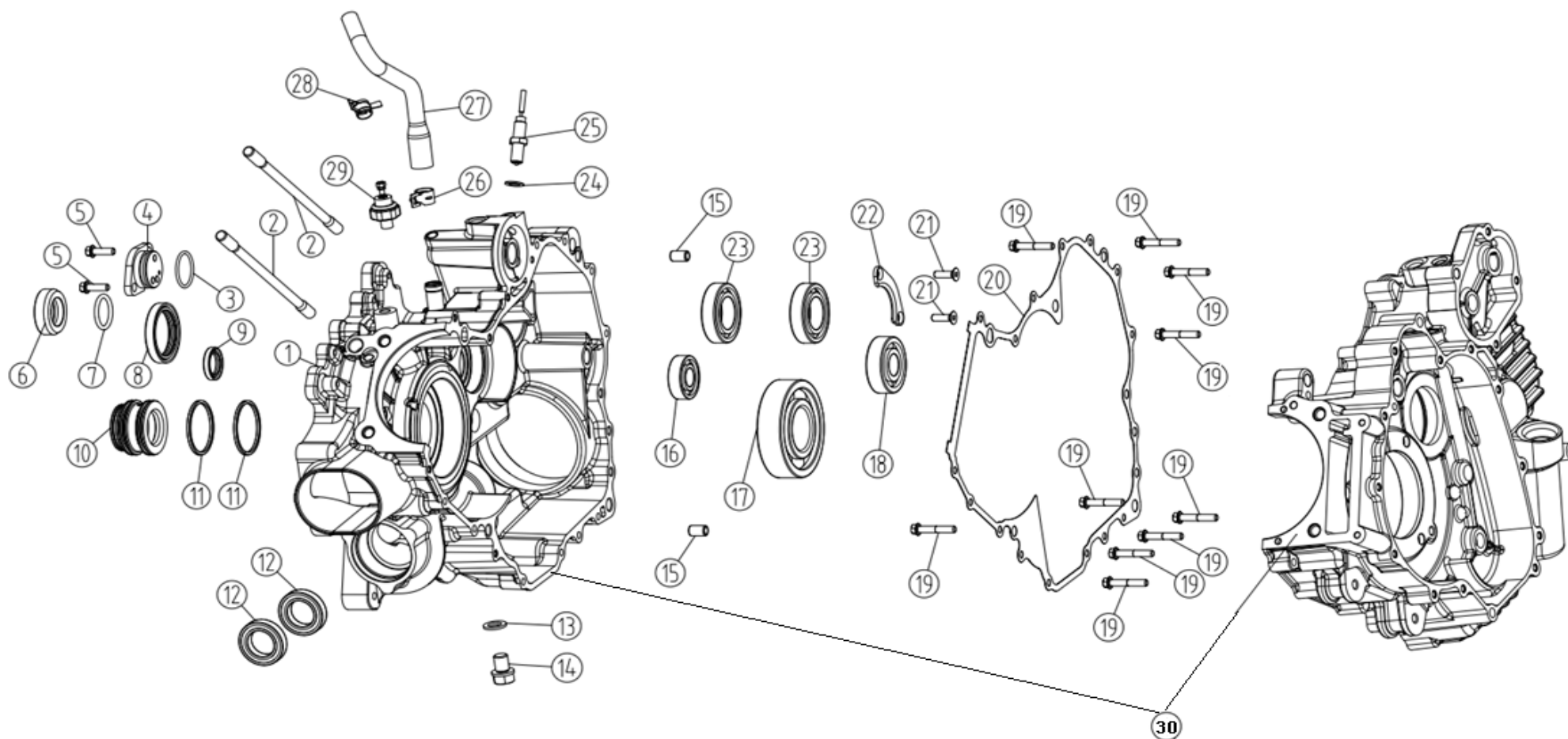
P. Lindberg A/S
Sdr. Ringvej 1
DK – 6600 Vejen

RES LONCIN XWOLF 700L DK V1
www.p-lindberg.dk
e-mail: salg@p-lindberg.dk

DELE TIL FIG E1

Pos	Varenr / item no	Varenavn	Item name	OE	stk / qty
1	N/A	Krumtaphus, venstre	<i>BODY SET, LEFT CRANKCASE</i>	110030628-0001	1
2	N/A	Støttebolt, lang	<i>BOLT, STUD A</i>	110240041-0001	2
3	N/A	Kugleleje	<i>BEARING</i>	380630048-0003	1
4	N/A	Kugleleje	<i>BEARING</i>	380630002-0001	1
5	N/A	Kugleleje	<i>BEARING</i>	380630017-0001	1
6	N/A	Kugleleje	<i>BEARING</i>	380630039-0001	1
7	9070792	Oliemålerpind	<i>GAUGE COMP., OIL LEVEL</i>	110700163-0001	1
8	N/A	Skive	<i>RING, SEAL</i>	380840274-0001	1
9	9070793	Hastighedssensor	<i>TRANSDUCER, VELOCITY</i>	281920003-0001	1
10	N/A	Skrue	<i>SCREW, HEXAGON SOCKET</i>	380190005-0004	1
11	N/A	Styretap	<i>PIN, DOWEL</i>	380600109-0001	1
12	9070794	Pakning, gearskifte cover	<i>RING, SEAL</i>	380840418-0001	1
13	9070795	Cover for gearskifte	<i>COVER, GEAR SHIFT</i>	194800002-0001	1
14	N/A	Clamp	<i>CLAMP, WIRE</i>	380940802-0001	1
15	N/A	Bolt	<i>BOLT, HEXAGON FLANGE</i>	380140015-0001	3
16	N/A	Bolt	<i>BOLT, HEXAGON FLANGE</i>	380140143-0001	1
17	9070796	Pakdåse, 15x25x5	<i>OIL SEAL</i>	380650328-0001	1
18	N/A	Bolt	<i>BOLT, HEXAGON FLANGE</i>	380140030-0003	3
19	N/A	Bolt	<i>BOLT, HEXAGON FLANGE</i>	380140019-0003	1
20	N/A	Bolt	<i>BOLT, HEXAGON FLANGE</i>	380140032-0001	1
21	N/A	Skive	<i>WASHER, ELASTIC</i>	380460001-0002	3
22	N/A	Skrue	<i>SCREW, HEXAGON SOCKET</i>	380190030-0001	3

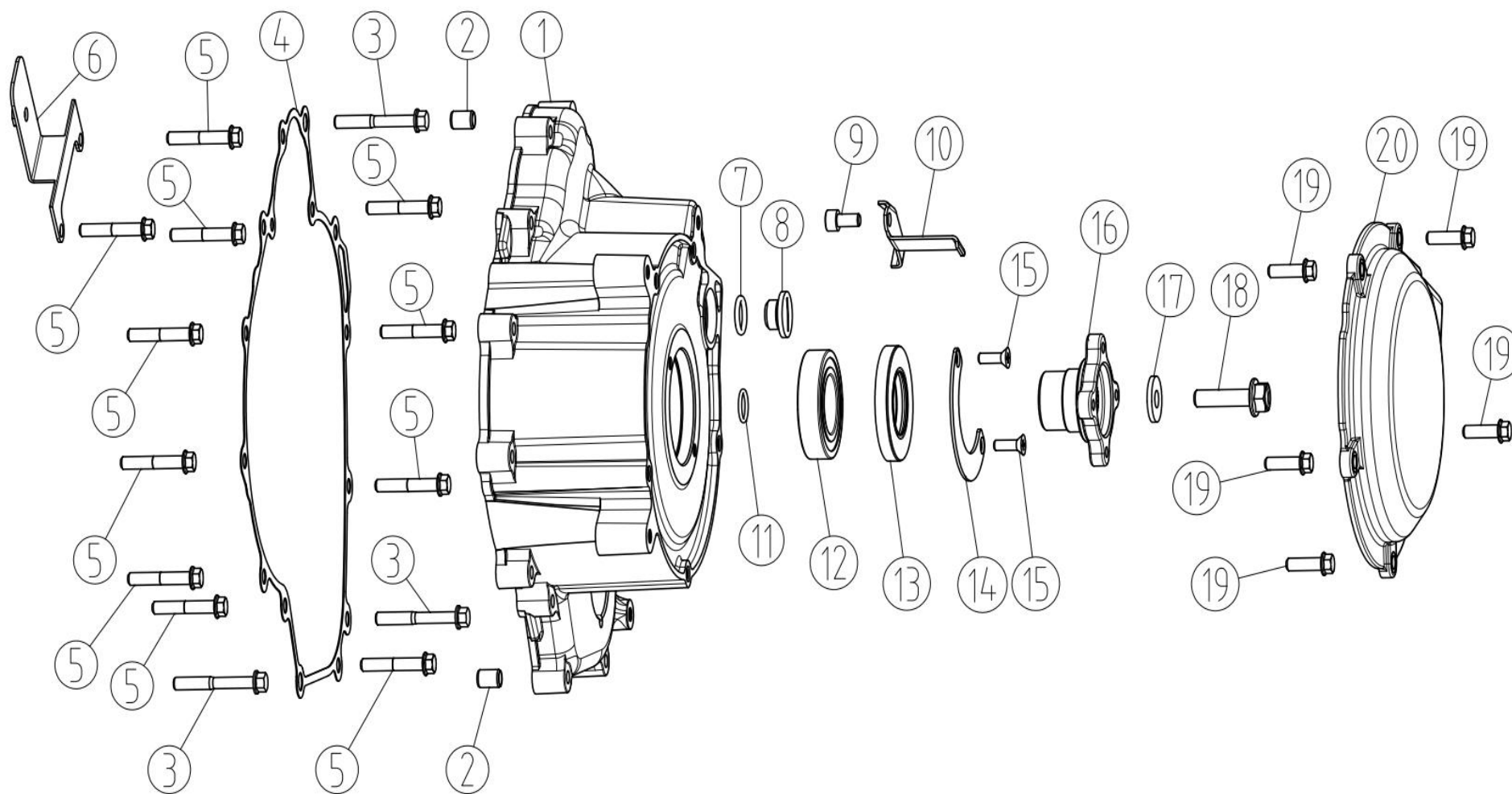
MOTOR FIGUR E2
– HØJRE KRUMTAP



DELE TIL FIG E2

Pos	Varenr / item no	Varenavn	Item name	OE	stk / qty
1	N/A	Højre krumtaphus	BODY SET, RIGHT CRANKCASE	110080099-0001	1
2	N/A	Støttebolt, lang	BOLT, STUD A	110240041-0001	2
3	N/A	Tætningsring	RING, SEAL	380841529-0001	1
4	9070797	Gear indikator kontakt	SWITCH COMP., GEAR INDICATOR	270650061-0002	1
5	N/A	Bolt	BOLT, HEXAGON FLANGE	380140015-0001	2
6	N/A	Krave	COLLAR	380821565-0001	1
7	N/A	Tætningsring	RING, SEAL	380840505-0001	1
8	9070798	Pakdåse, 42x55x8	OIL SEAL	380650326-0001	1
9	9070799	Pakdåse, 20x30x5	OIL SEAL	380650325-0001	1
10	N/A	Krave	COLLAR	380821558-0001	1
11	9070800	Tætningsring	SEALING RING	130620001-0001	2
12	N/A	Kugleleje	BEARING	380630262-0001	2
13	N/A	Skive	WASHER, PLAIN	380450018-0003	1
14	N/A	Skrue	SCREW PLUG, SEAL	110260003-0003	1
15	N/A	Styretap	PIN, DOWEL	380600110-0001	2
16	N/A	Kugleleje	BEARING	380630066-0002	1
17	N/A	Kugleleje	BEARING	380630264-0002	1
18	N/A	Kugleleje	BEARING	380630022-0001	1
19	N/A	Bolt	BOLT, HEXAGON FLANGE	380140030-0003	10
20	9070801	Pakning, højre krumtap	CRANKCASE GASKET	110100045-0001	1
21	N/A	Bolt	BOLT, LOBULAR SOCKET COUNTERSUNK HEAD	381420012-0001	2
22	N/A	Låseplade	CHECK PLATE, MAINSHAFT BEARING	191380008-0001	1
23	N/A	Kugleleje	BEARING	380630006-0001	2
24	N/A	Skive	WASHER, PLAIN	380450155-0001	1
25	9070802	Sensor (1), krumtap	SENSOR, ENGINE	270790005-0002	1
26	N/A	Clamp	CLAMP, TUBE	380950445-0001	1
27	N/A	Ånderør	TUBE, BREATHER	380741383-0001	1
28	N/A	Clamp	CLAMP, TUBE	380950446-0001	1
29	9070803	Sensor (2), krumtap	SENSOR, ENGINE	270790013-0001	1
30	N/A	Krumtaphus uden indmad	CRANKCASE KIT	500270543-0001	1

MOTOR FIGUR E3
- VENSTRE KRUMTAPHUS



Kontakt
Tlf salgsafdeling: 7021 2626
Tlf teknisk support: 7696 2326

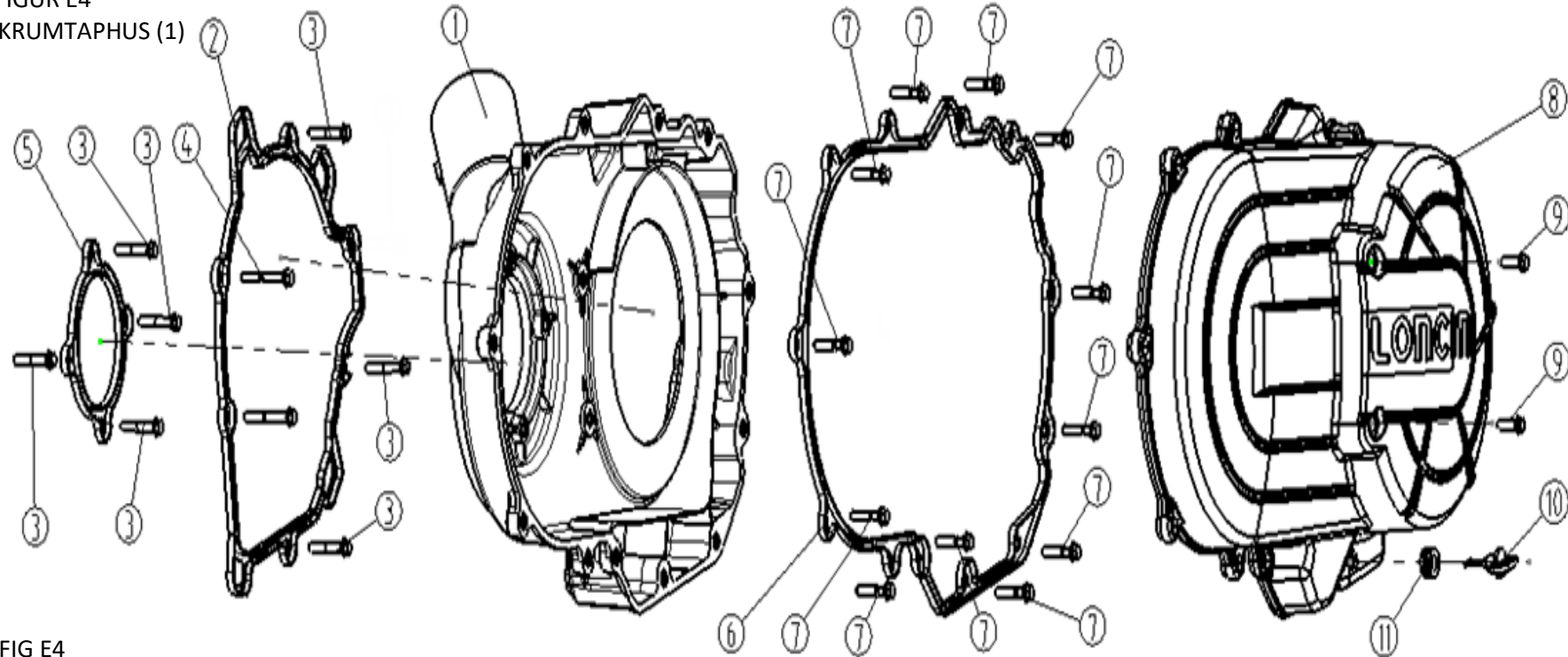
P. Lindberg A/S
Sdr. Ringvej 1
DK - 6600 Vejen

RES LONCIN XWOLF 700L DK V1
www.p-lindberg.dk
e-mail: salg@p-lindberg.dk

DELE TIL FIG E3

Pos	Varenr / item no	Varenavn	Item name	OE	stk / qty
1	N/A	Krumtaphusdæksel, venstre	COVER COMP., LEFT CRANKCASE	110380082-0001	1
2	N/A	Styretap	PIN, DOWEL	380600109-0001	2
3	N/A	Bolt	BOLT, HEXAGON FLANGE	380140128-0001	3
4	9070804	Pakning, venstre krumtapdæksel	GASKET, LEFT CRANKCASE COVER	110390011-0001	1
5	N/A	Bolt	BOLT, HEXAGON FLANGE	380140030-0003	11
6	N/A	Olieslangebeslag	SUPPORT, OIL HOSE	150210005-0001	1
7	N/A	Tætningsring	SEALING RING	380840079-0001	1
8	N/A	Skuedæksel	COVER, INSPECTION	110440001-0001	1
9	N/A	Skrue	SCREW, HEXAGON SOCKET	380190084-0001	1
10	N/A	Beslag	DISC, TENSION	110480018-0001	1
11	N/A	Tætningsring	RING, SEAL	380840876-0001	1
12	N/A	Kugleleje	BEARING	380630246-0001	1
13	9070805	Pakdåse, 30x55x7	OIL SEAL	380650327-0001	1
14	N/A	Låseplade	CHECK PLATE, STARTING BOARD OIL SEAL	195280001-0001	1
15	N/A	Skrue	SCREW, CROSS RECESSED COUNTERSUNK HEAD	380220009-0002	2
16	N/A	Holder	INSTALLATION SEAT OF FAN	160880005-0001	1
17	N/A	Skive	WASHER, PLAIN	380451227-0001	1
18	N/A	Bolt	BOLT, HEXAGON FLANGE	380140555-0001	1
19	N/A	Bolt	BOLT, HEXAGON FLANGE	380140015-0007	5
20	N/A	Dæksel	COVER ASSY., STARTING MECHANISM	195260005-0001	1

MOTOR FIGUR E4
– HØJRE KRUMTAPHUS (1)



DELE TIL FIG E4

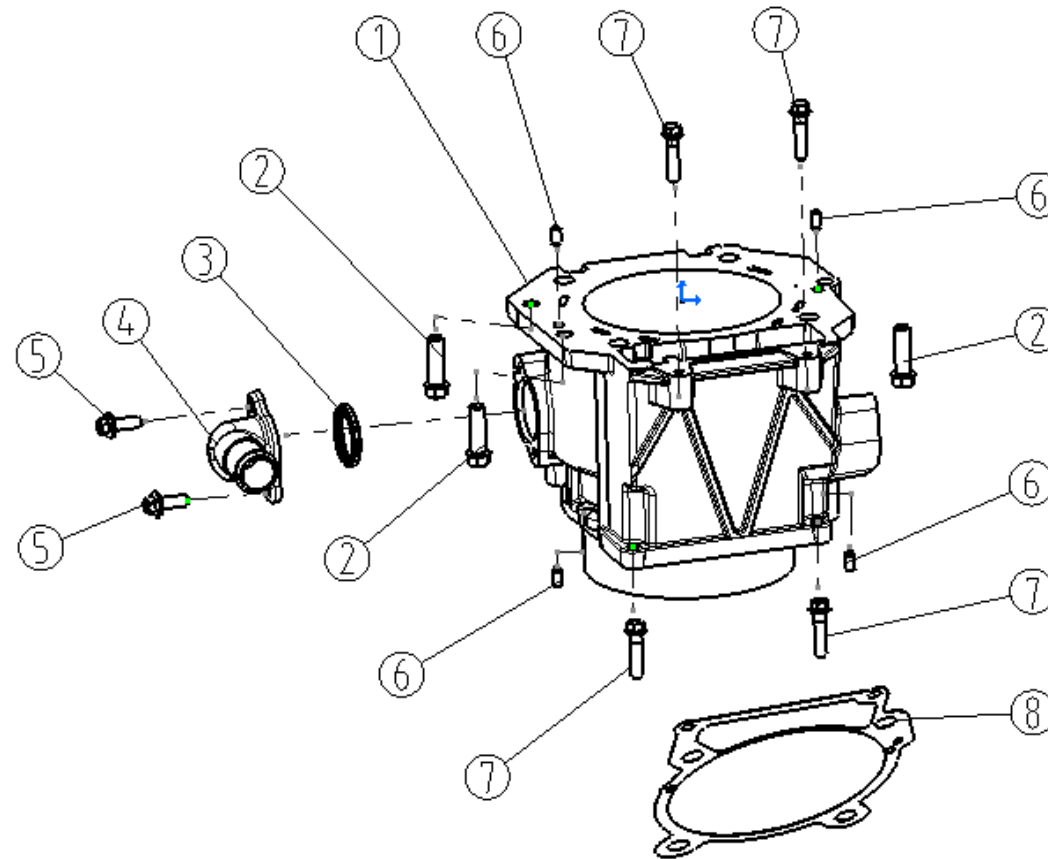
Pos	Varenr / item no	Varenavn	Item name	OE	stk / qty
1	N/A	Dæksel	BODY SET, RIGHT CONNECTING CRANKCASE	110210003-0001	1
2	9070806	Pakning	RING, SEAL	380840490-0001	1
3	N/A	Bolt	BOLT, HEXAGON FLANGE	380140030-0003	7
4	N/A	Bolt	BOLT, HEXAGON FLANGE	380140128-0001	2
5	9070807	Pakning	RING, SEAL	380840491-0001	1
6	9070808	Pakning	RING, SEAL	380840479-0001	1
7	N/A	Bolt	BOLT, HEXAGON FLANGE	380140143-0001	12
8	N/A	Dæksel	COVER COMP., RIGHT CRANKCASE	110600251-0001	1
9	N/A	Bolt	BOLT, HEXAGON FLANGE	380140015-0001	2
10	N/A	Olieprop	PLUG, GLUE	110500011-0001	1
11	N/A	Tætningsring	RING, SEAL	380840613-0001	1

Kontakt
Tlf salgsafdeling: 7021 2626
Tlf teknisk support: 7696 2326

P. Lindberg A/S
Sdr. Ringvej 1
DK – 6600 Vejen

RES LONCIN XWOLF 700L DK V1
www.p-lindberg.dk
e-mail: salg@p-lindberg.dk

MOTOR FIGUR E5
– CYLINDER



DELE TIL FIG E5

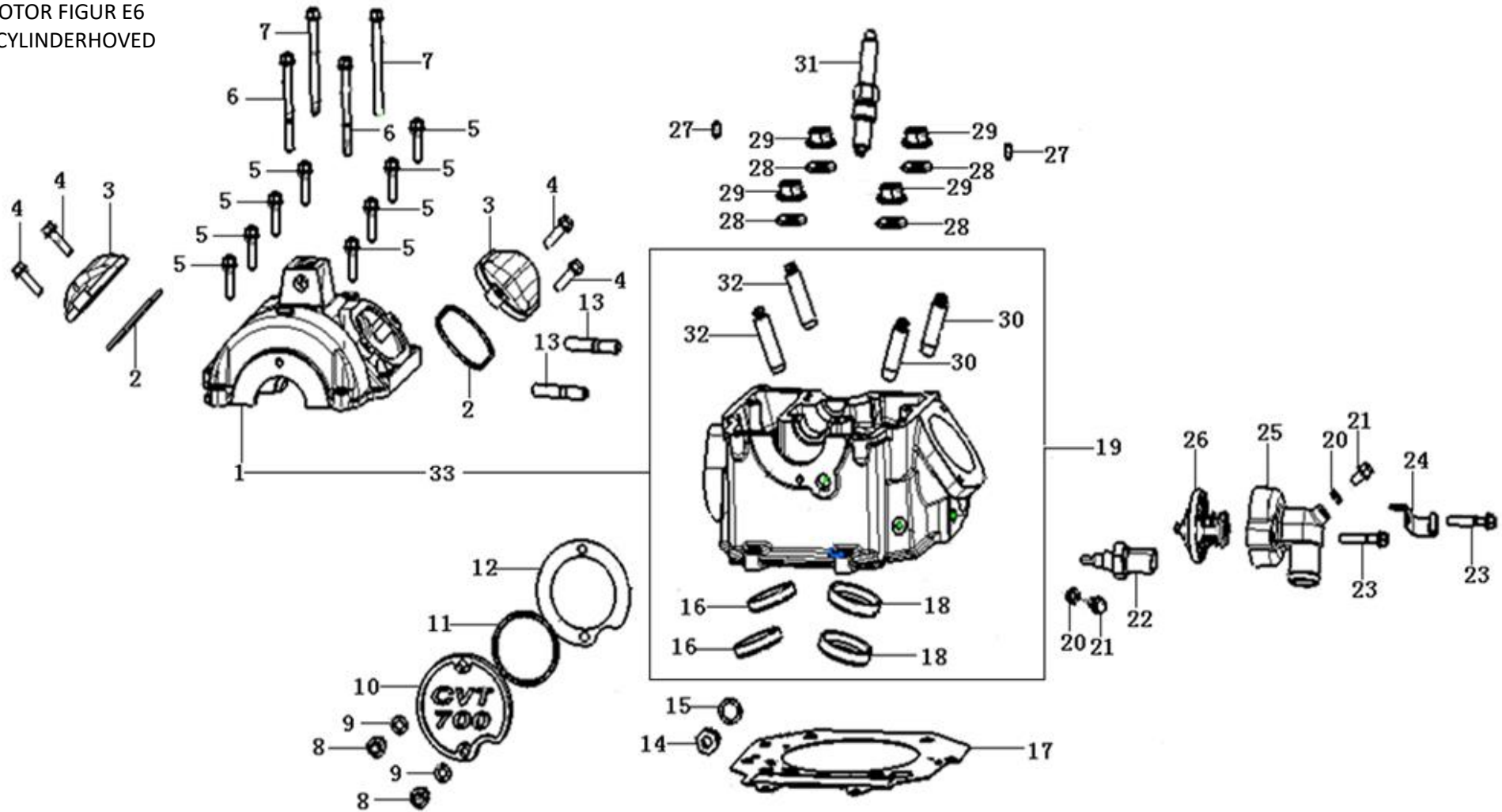
Pos	Varenr / item no	Varenavn	Item name	OE	stk / qty
1	9070809	Cylinder	BODY SET, CYLINDER	120020150-0003	1
2	N/A	Bolt	BOLT, HEXAGON FLANGE	380140274-0001	3
3	9070810	O-ring v/cylinder	RING, SEAL	380840555-0001	1
4	9070811	Studs v/cylinder	JOINT, CONNECTING	380780056-0004	1
5	N/A	Bolt	BOLT, HEXAGON FLANGE	380140002-0001	2
6	N/A	Styretap	PIN, DOWEL	380600025-0001	4
7	N/A	Bolt	BOLT, HEXAGON FLANGE	380140016-0001	4
8	9070812	Cylinderpakning	GASKET, CYLINDER	120050080-0001	1

Kontakt
Tlf salgsafdeling: 7021 2626
Tlf teknisk support: 7696 2326

P. Lindberg A/S
Sdr. Ringvej 1
DK – 6600 Vejen

RES LONCIN XWOLF 700L DK V1
www.p-lindberg.dk
e-mail: salg@p-lindberg.dk

MOTOR FIGUR E6
– CYLINDERHOVED



DELE TIL FIG E6

Pos	Varenr / item no	Varenavn	Item name	OE	stk / qty
1	N/A	Ventildæksel	COVER, CYLINDER HEAD	120230061-0001	1
2	9070813	Pakning v/ventildæksel	GASKET	380840612-0001	2
3	N/A	Dæksel for ventiljustering	COVER, VALVE	120280015-0001	2

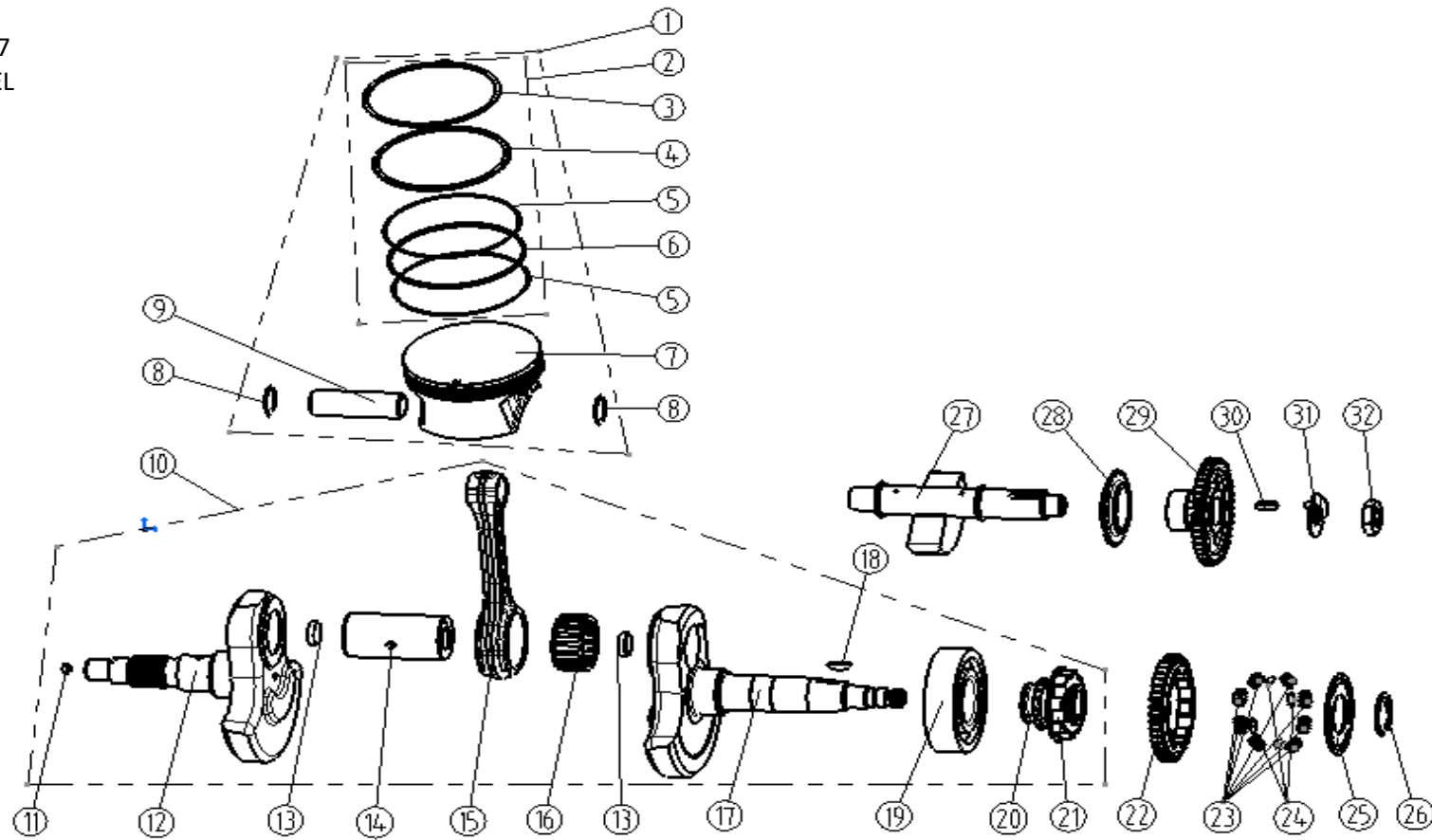
Kontakt
Tlf salgsafdeling: 7021 2626
Tlf teknisk support: 7696 2326

P. Lindberg A/S
Sdr. Ringvej 1
DK – 6600 Vejen

RES LONCIN XWOLF 700L DK V1
www.p-lindberg.dk
e-mail: salg@p-lindberg.dk

Pos	Varenr / item no	Varenavn	Item name	OE	stk / qty
4	N/A	Bolt	<i>BOLT, FLANGE, HEX HEAD</i>	380140015-0001	4
5	N/A	Bolt	<i>BOLT, FLANGE, HEX HEAD</i>	380140021-0002	8
6	N/A	Bolt	<i>BOLT, FLANGE, HEX HEAD</i>	380140032-0001	2
7	N/A	Bolt	<i>BOLT, FLANGE, HEX HEAD</i>	380140438-0001	2
8	N/A	Bolt	<i>BOLT, FLANGE, HEX HEAD</i>	380140758-0001	2
9	N/A	Skive	<i>WASHER, FLAT</i>	380450296-0001	2
10	N/A	Sidedæksel til topstykke	<i>COVER, CYLINDER HEAD SIDE</i>	120300022-0001	1
11	N/A	Pakning	<i>GASKET</i>	380840584-0001	1
12	N/A	Pakning	<i>GASKET, CYLINDER HEAD SIDE</i>	120310012-0001	1
13	N/A	Støttebolt	<i>BOLT, STUD</i>	380180155-0001	2
14	N/A	Møtrik til knastkæde	<i>PLUG, TIMING</i>	110440010-0001	1
15	N/A	Skive	<i>WASHER, FLAT</i>	380450015-0001	1
16	N/A	Ventilsæde, udstødning	<i>SEAT, EXHAUST</i>	120110037-0001	2
17	N/A	Pakning	<i>GASKET, CYLINDER HEAD</i>	120150120-0001	1
18	N/A	Ventilsæde, indsugning	<i>SEAT, INLET VALVE</i>	120100037-0001	2
19	9070814	Topstykke (rå)	<i>CYLINDER HEAD</i>	120080360-0001	1
20	N/A	Skive	<i>WASHER, FLAT</i>	380450303-0001	2
21	N/A	Bolt	<i>BOLT, FLANGE, HEX HEAD</i>	380140168-0001	2
22	9070815	Sensor (vandtemperatur)	<i>SENSOR, COOLING WATER TEMPERATURE</i>	270790008-0001	1
23	N/A	Bolt	<i>BOLT, FLANGE, HEX HEAD</i>	380140143-0001	2
24	N/A	Clamp	<i>CLAMP, WIRE</i>	380940802-0001	1
25	9070816	Termostathus	<i>COVER, THERMOSTAT</i>	160130005-0001	1
26	9070817	Termostat	<i>THERMOSTAT</i>	160140004-0001	1
27	N/A	Styretap	<i>DOWEL PIN</i>	380600025-0001	2
28	N/A	Skive	<i>WASHER, FLAT</i>	380450477-0001	4
29	N/A	Møtrik	<i>NUT, FLANGE, HEXAGON</i>	380370038-0001	4
30	N/A	Bolt til overfald, udstødning	<i>GUIDE, INLET VALVE</i>	120120027-0001	2
31	9070818	Tændrør	<i>SPARK PLUG</i>	270960037-0001	1
32	N/A	Bolt til overfald, indsugning	<i>GUIDE, EXHAUST</i>	120130023-0001	2
33	N/A	Topstykke, rå, med ventildæksel	<i>CYLINDER HEAD KIT</i>	500260298-0001	1

MOTOR FIGUR E7
– KRUMTAPAKSEL



DELE TIL FIG E7

Pos	Varenr / item no	Varenavn	Item name	OE	stk / qty
1	9070819	Stempel, komplet	PISTON COMP.	130020050-0001	1
2	9070820	Stempelringesæt	RING SET, PISTON	130070272-0001	1
3	N/A	Første stempelring	1ST PISTON RING	130080150-0001	1
4	N/A	Anden stempelring	2ND PISTON RING	130090151-0001	1
5	N/A	Kompressionsringe	SCRATCH RING	130130116-0001	2
6	N/A	Oliering	LINING RING	130120114-0001	1
7	N/A	Stempel	PISTON COMP.	130030112-0002	1

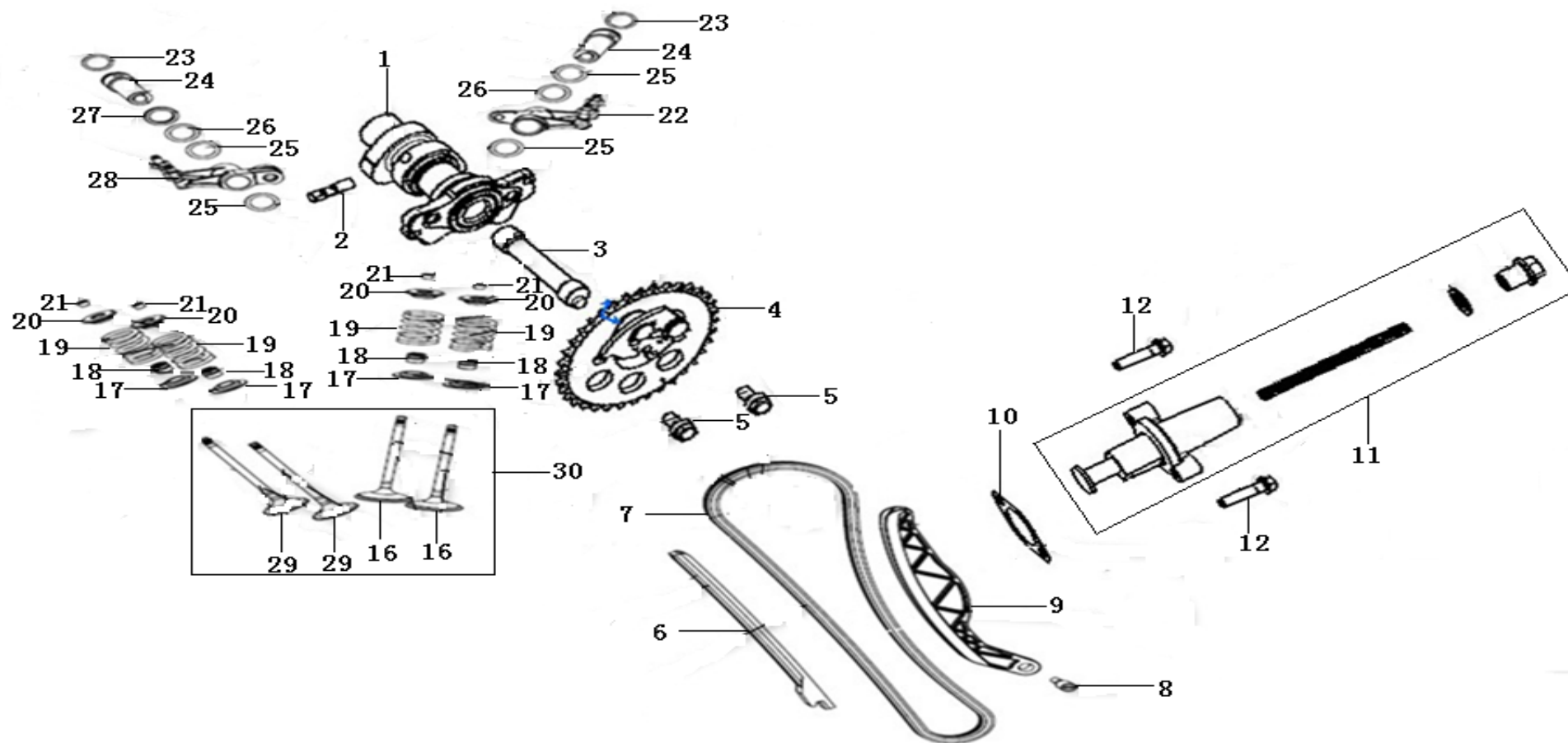
Kontakt
Tlf salgsafdeling: 7021 2626
Tlf teknisk support: 7696 2326

P. Lindberg A/S
Sdr. Ringvej 1
DK – 6600 Vejen

RES LONCIN XWOLF 700L DK V1
www.p-lindberg.dk
e-mail: salg@p-lindberg.dk

Pos	Varenr / item no	Varenavn	Item name	OE	stk / qty
8	N/A	Låsering	CHECK RING, STEEL CABLE BAFFLE	380560032-0001	2
9	N/A	Krydspind	PIN, PISTON	130060008-0001	1
10	9070821	Krumtapaksel, komplet	CRANKSHAFT COMP.	130140082-0001	1
11	N/A	Prop	STOPPER	381000080-0001	1
12	N/A	Krumtap, højre	CRANK COMP., RIGHT	130260179-0001	1
13	N/A	Prop	STOPPER	381000081-0001	2
14	N/A	Krumtap	PIN, CRANK	130350023-0001	1
15	N/A	Aksel	ROD COMP., CONNECTING	130150037-0001	1
16	N/A	Kugleleje	BEARING	380630241-0001	1
17	N/A	Krumtap, venstre	CRANK COMP., LEFT	130210147-0001	1
18	N/A	Kile	KEY	380620125-0001	1
19	N/A	Kugleleje	BEARING	380630633-0001	1
20	N/A	Takthjul	SPROCKET, TIMING DRIVE	130230018-0001	1
21	N/A	Takthjul	RING, BALANCING ARBOR DRIVE GEAR INSIDE	130560001-0001	1
22	9070822	Takthjul	GEAR, BALANCING ARBOR DRIVE	130460006-0001	1
23	9070823	Trykfjeder	SPRING, COMPRESSION	381150325-0001	8
24	9070824	Splitbolt	PIN, CLEVIS	380610111-0001	4
25	9070825	Udvendig balancering	COVERING, BALANCING ARBOR DRIVE GEAR	130550001-0001	1
26	9070826	Låsering	CHECK RING, ELASTIC	380550103-0001	1
27	9070827	Balanceaksel	BALANCING ARBOR ASSY.	130440013-0001	1
28	9070828	Balancering til balanceaksel	SPROCKET, OIL PUMP DRIVE	150150017-0001	1
29	9070829	Takthjul til balanceaksel	GEAR COMP., BALANCING ARBOR DRIVEN	130470003-0001	1
30	9070830	Kile ved takthjul	KEY	380620051-0001	1
31	9070831	Låseskive	WASHER, LOCK	380490011-0001	1
32	9070832	Møtrik M18 ved balanceaksel	NUT, HEXAGON HEAD	380340110-0002	1

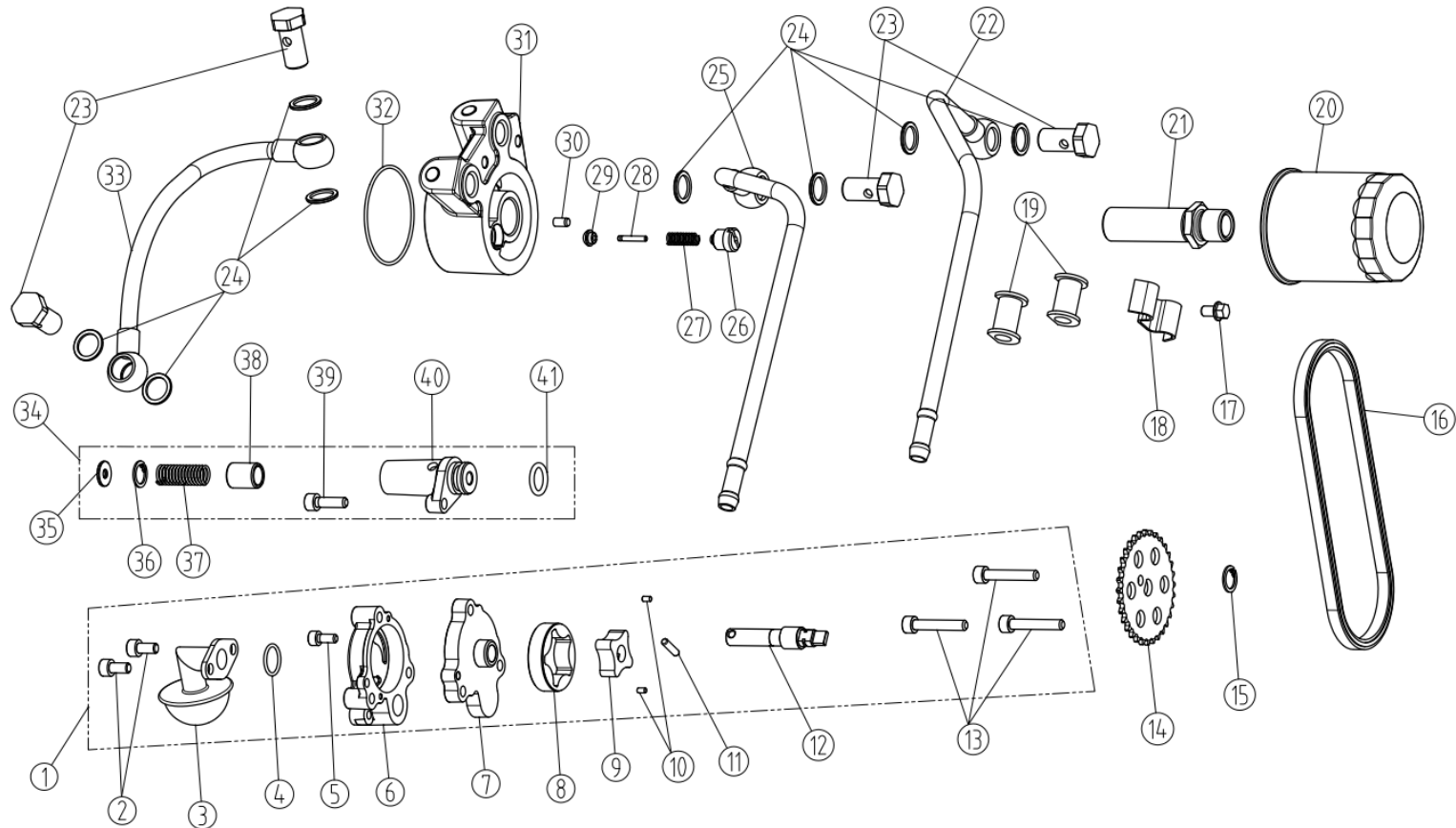
MOTOR FIGUR E8
– KNASTAKSEL



DELE TIL FIG E8

Pos	Varenr / item no	Varenavn	Item name	OE	stk / qty
1	9070833	Knastaksel	CAMSHAFT KIT	500530009-0001	1
2	9070834	Dekomprimeringsventil	BODY SET, REDUCING VALVE	140080008-0001	1
3	N/A	Aksel	SHAFT, FLYWEIGHT	140090004-0001	1
4	N/A	Tandhjul for knastaksel	SPROCKET ASSY., TIMING DRIVEN	141470001-0001	1
5	N/A	Bolt	BOLT, HEXAGON FLANGE	380140426-0001	2
6	9070835	Kædestyr, fast	GUIDE PLATE, CHAIN	141000026-0001	1
7	9070836	Knastkæde	CHAIN, TIMING	140610033-0001	1
8	N/A	Bolt	BOLT, COLUMN	141350001-0001	1
9	9070837	Kædestyr	PLATE, TENSION	140910009-0001	1
10	9070838	Pakning	GASKET, CAM CHAIN TENSIONER	140830017-0001	1
11	9070839	Kædestrammer	TENSIONER COMP., CAM CHAIN	140740010-0001	1
12	N/A	Bolt	BOLT, HEXAGON FLANGE	380140016-0001	2
13	N/A	Trykfjeder	SPRING, COMPRESSION	381150414-0001	1
14	N/A	Skive	WASHER, PLAIN	380451393-0001	1
15	N/A	Strammebolt	BOLT, TENSIONER	141370003-0001	1
16	N/A	Ventil, indsugning	VALVE, INLET	140300052-0001	2
17	N/A	Ventilfjeder	RETAINER, VALVE SPRING	140380030-0001	4
18	9070840	Paraply for ventilstamme	SHIELD, OIL	140400004-0001	4
19	N/A	Ventilfjeder	SPRING, VALVE (INNER)	140340006-0001	4
20	N/A	Ventilfjederleje	SEAT, VALVE SPRING OUTER	140370006-0001	4
21	9070841	Ventillås	COTTER, VALVE	140390020-0001	8
22	9070842	Vippearm, venstre	ARM ASSY., VALVE ROCKER	140450091-0001	1
23	N/A	Skive	RING, SEAL	380840478-0001	2
24	N/A	Aksel for vippearms	SHAFT, VALVE ROCKER ARM	140510037-0001	2
25	N/A	Skive	CHECK RING, SHOULDER	380540114-0001	4
26	N/A	Skive	WASHER, WAVE	380510013-0001	2
27	N/A	Skive	COLLAR	380821834-0001	1
28	9070843	Vippearm, højre	ARM ASSY., VALVE ROCKER	140450092-0001	1
29	N/A	Ventil, udstødning	VALVE, EXHAUST	140310052-0001	2
30	9070844	Ventilkit	VALVE KIT	500550106-0001	1

MOTOR FIGUR E9
– OLIESMØRING



DELE TIL FIG E9

Pos	Varenr / item no	Varenavn	Item name	OE	stk / qty
1	9070845	Oliepumpe, komplet	PUMP ASSY., OIL	150010049-0001	1
2	N/A	Skrue	SCREW, HEXAGON SOCKET	380190084-0001	2
3	N/A	Oliefilter	OIL FILTER ASSY., PRIMARY	150280006-0001	1
4	N/A	Tætningskive	RING, SEAL	380840492-0001	1
5	N/A	Skrue	SCREW, HEXAGON SOCKET	380190037-0002	1
6	N/A	Oliedæksel	CAP, OIL PUMP	150040017-0001	1
7	N/A	Top for dæksel	BODY, OIL PUMP BASE	150020019-0001	1
8	N/A	Rotor, ydre	ROTOR, OUTER	150060021-0001	1
9	N/A	Rotor, indre	ROTOR, INNER	150050022-0001	1

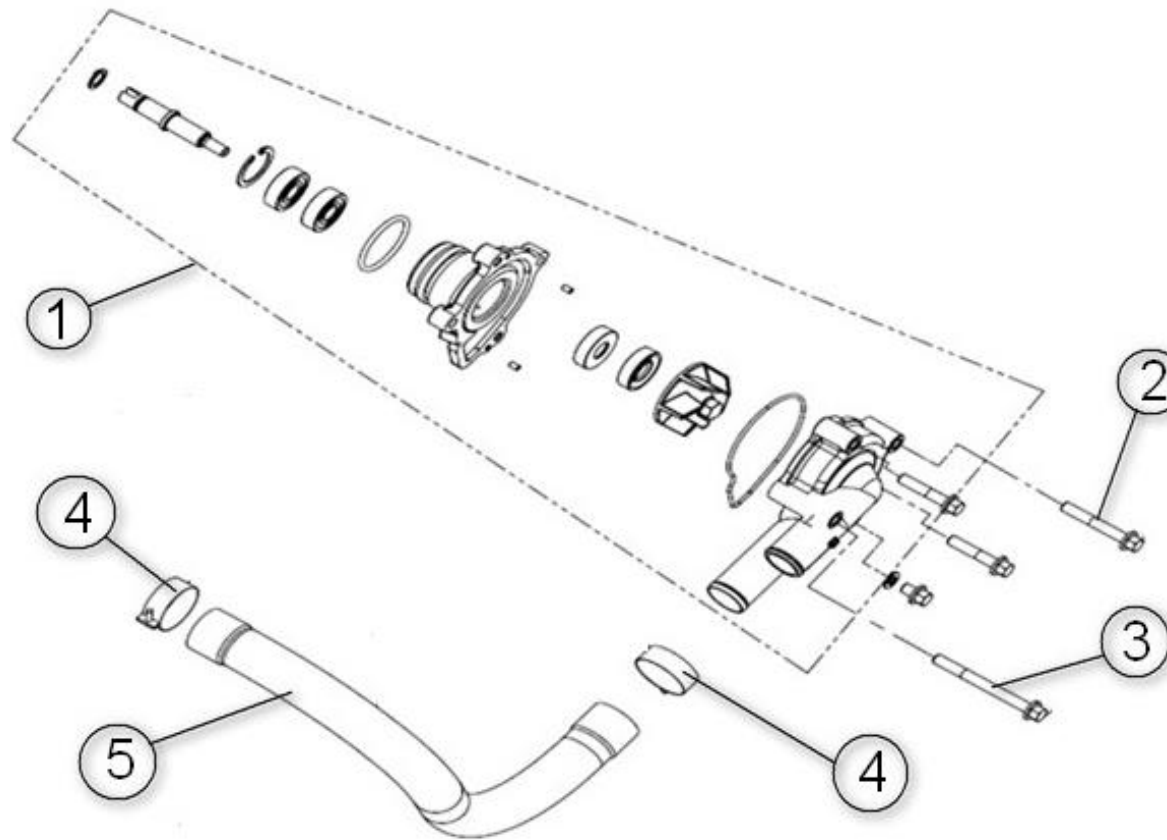
Kontakt
Tlf salgsafdeling: 7021 2626
Tlf teknisk support: 7696 2326

P. Lindberg A/S
Sdr. Ringvej 1
DK – 6600 Vejen

RES LONCIN XWOLF 700L DK V1
www.p-lindberg.dk
e-mail: salg@p-lindberg.dk

Pos	Varenr / item no	Varenavn	Item name	OE	stk / qty
10	N/A	Styretap	<i>PIN, DOWEL</i>	380600112-0001	2
11	N/A	Styretap	<i>PIN, DOWEL</i>	380600036-0001	1
12	N/A	Aksel til oliepumpe	<i>SHAFT, OIL PUMP TRANSMISSION</i>	150080025-0001	1
13	N/A	Skrue	<i>SCREW, HEXAGON SOCKET</i>	380190071-0004	3
14	N/A	Tandhjul	<i>SPROCKET, OIL PUMP DRIVEN</i>	150070026-0001	1
15	N/A	Tætningsskive	<i>CHECK RING, ELASTIC</i>	380550046-0001	1
16	N/A	Kæde for oliepumpe	<i>CHAIN, OIL PUMP</i>	150170005-0001	1
17	N/A	Bolt	<i>BOLT, HEXAGON FLANGE</i>	380140168-0001	1
18	N/A	Dobbelt rørholder	<i>CLAMP, MIDDLE FIXING DOUBLE TUBE</i>	381860002-0001	1
19	N/A	Gummistykke	<i>I-RUBBER</i>	380890393-0001	2
20	9070846	Oliefilter	<i>OIL FILTER ASSY., SECONDARY</i>	150350015-0001	1
21	N/A	Samler	<i>JOINT, CONNECTING</i>	380780165-0001	1
22	N/A	Olierør	<i>TUBE COMP.</i>	292980300-0001	1
23	N/A	Bolt	<i>BOLT, HEXAGON</i>	380070164-0001	4
24	N/A	Skive	<i>WASHER, PLAIN</i>	380450499-0001	8
25	N/A	Olierør	<i>TUBE COMP.</i>	292980039-0001	1
26	N/A	Olietryksventil	<i>SEAT B, OIL CONTROL VALVE</i>	150630001-0001	1
27	N/A	Trykfjeder	<i>SPRING, COMPRESSION</i>	381150560-0001	1
28	N/A	Trykstempel	<i>PUSH ROD, OIL CONTROL VALVE</i>	150610001-0001	1
29	N/A	Prop	<i>STOPPER</i>	381000434-0001	1
30	N/A	Styretap	<i>PIN, DOWEL</i>	380600025-0001	1
31	N/A	Oliefilterhus	<i>SEAT, OIL FILTER</i>	150490014-0001	1
32	N/A	Tætningsring	<i>RING, SEAL</i>	380840887-0001	1
33	9070847	Olietryksslange	<i>TUBE, FUEL</i>	380750171-0001	1
34	N/A	Overtryksventil	<i>VALVE COMP., OIL CONTROL</i>	150600002-0001	1
35	N/A	Skive	<i>WASHER, PLAIN</i>	380450500-0001	1
36	N/A	Låserring	<i>CHECK RING, ELASTIC</i>	380550103-0001	1
37	N/A	Trykfjeder	<i>SPRING, COMPRESSION</i>	381150329-0001	1
38	N/A	Trykstempel	<i>PUSH ROD, OIL CONTROL VALVE</i>	150610007-0001	1
39	N/A	Skrue	<i>SCREW, HEXAGON SOCKET</i>	380190008-0002	3
40	N/A	Hus for kædestrammer	<i>SEAT A, OIL CONTROL VALVE</i>	150620002-0001	1
41	N/A	Skive	<i>RING, SEAL</i>	380840804-0001	1

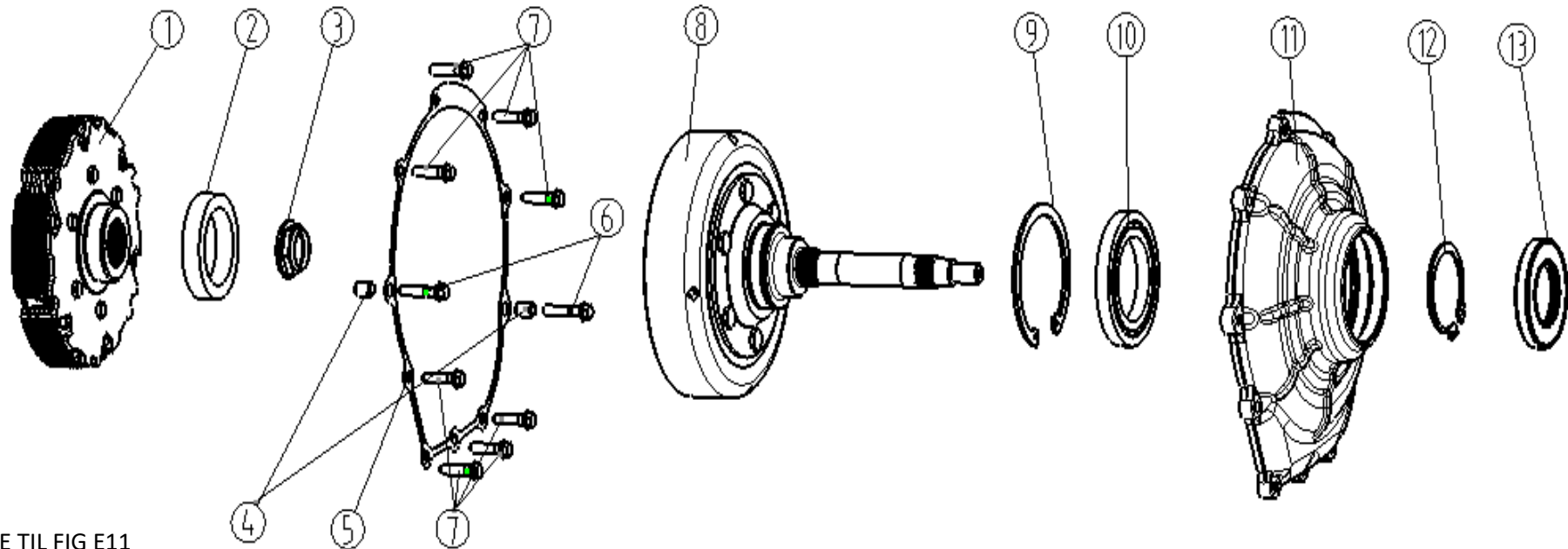
MOTOR FIGUR E10
– KØLESYSTEM



DELE TIL FIG E10

Pos	Varenr / item no	Varenavn	Item name	OE	stk / qty
1	9070848	Vandpumpe, komplet	<i>PUMP, COOLING</i>	160400008-0001	1
2	N/A	Bolt	<i>BOLT, HEXAGON FLANGE</i>	380140128-0001	1
3	N/A	Bolt	<i>BOLT, HEXAGON FLANGE</i>	380140032-0001	1
4	N/A	Spændebånd	<i>HOOP ASSY.</i>	380960259-0001	2
5	N/A	Rør	<i>TUBE, WATER</i>	380760050-0001	1

MOTOR FIGUR E11
- KOBLING



DELE TIL FIG E11

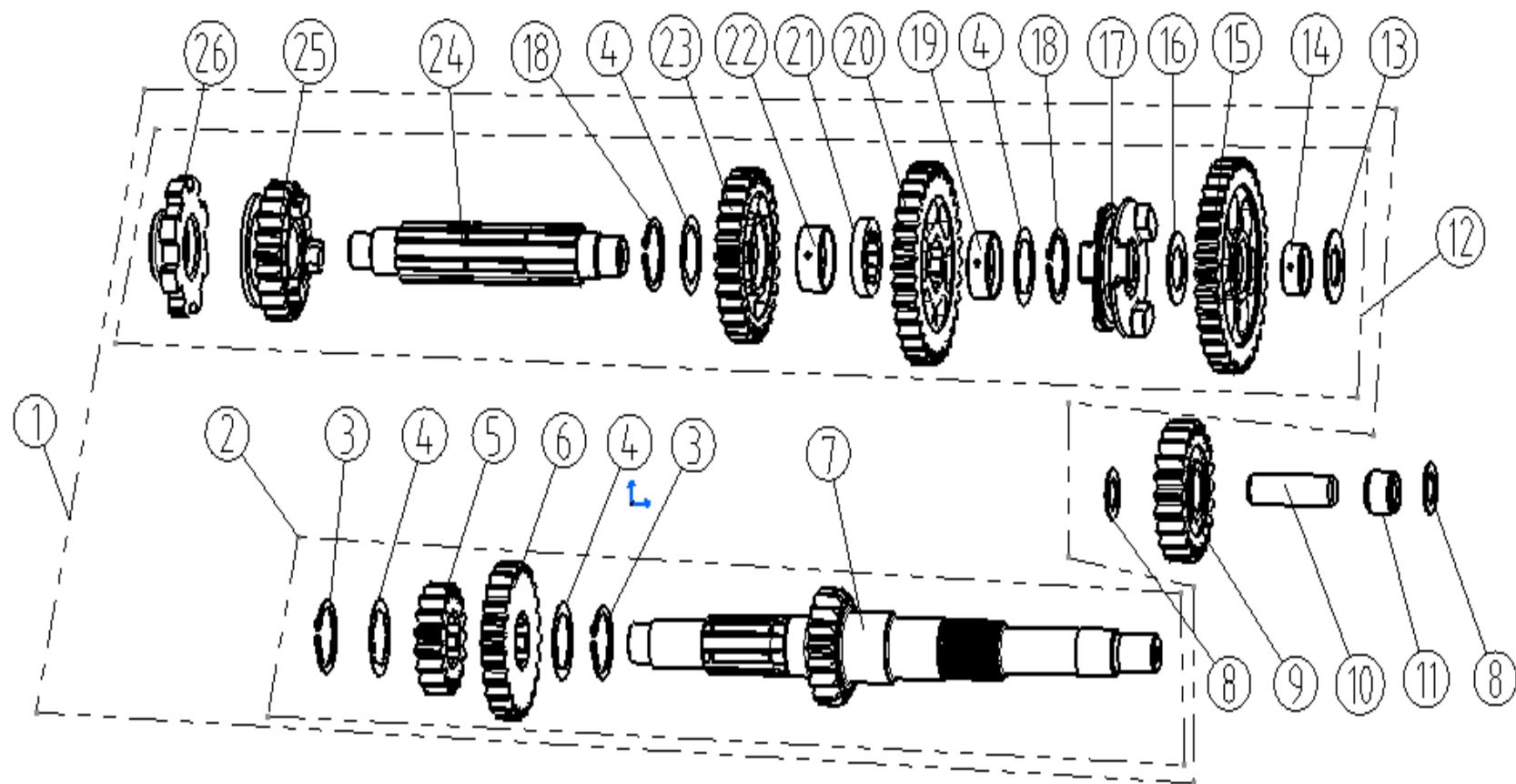
Pos	Varenr / item no	Varenavn	Item name	OE	stk / qty
1	9070849	Slyngkobling	SET, PRIMARY CLUTCH	190180009-0001	1
2	N/A	Kugleleje	BEARING, ONE-WAY	190040003-0001	1
3	9070850	Møtrik M22 for slyngkobling	NUT, HEXAGON FLANGE	380370054-0001	1
4	N/A	Styretap	PIN, DOWEL	380600109-0001	2
5	9070851	Pakning ved koblingsdæksel	GASKET, CLUTCH COVER	190310007-0001	1
6	N/A	Bolt	BOLT, HEXAGON FLANGE	380140143-0001	2
7	N/A	Bolt	BOLT, HEXAGON FLANGE	380140016-0001	8
8	9070852	Koblingsskål	CASE, PRIMARY CLUTCH	190100006-0001	1
9	N/A	Låsering	CHECK RING, ELASTIC	380550101-0001	1
10	N/A	Kugleleje	BEARING	380630245-0001	1
11	N/A	Dæksel	COVER, PRIMARY CLUTCH	190300002-0001	1
12	N/A	Låsering	CHECK RING, ELASTIC	380550099-0001	1
13	9070853	Pakdåse 35x65x9	OIL SEAL	380650322-0001	1

Kontakt
Tlf salgsafdeling: 7021 2626
Tlf teknisk support: 7696 2326

P. Lindberg A/S
Sdr. Ringvej 1
DK - 6600 Vejen

RES LONCIN XWOLF 700L DK V1
www.p-lindberg.dk
e-mail: salg@p-lindberg.dk

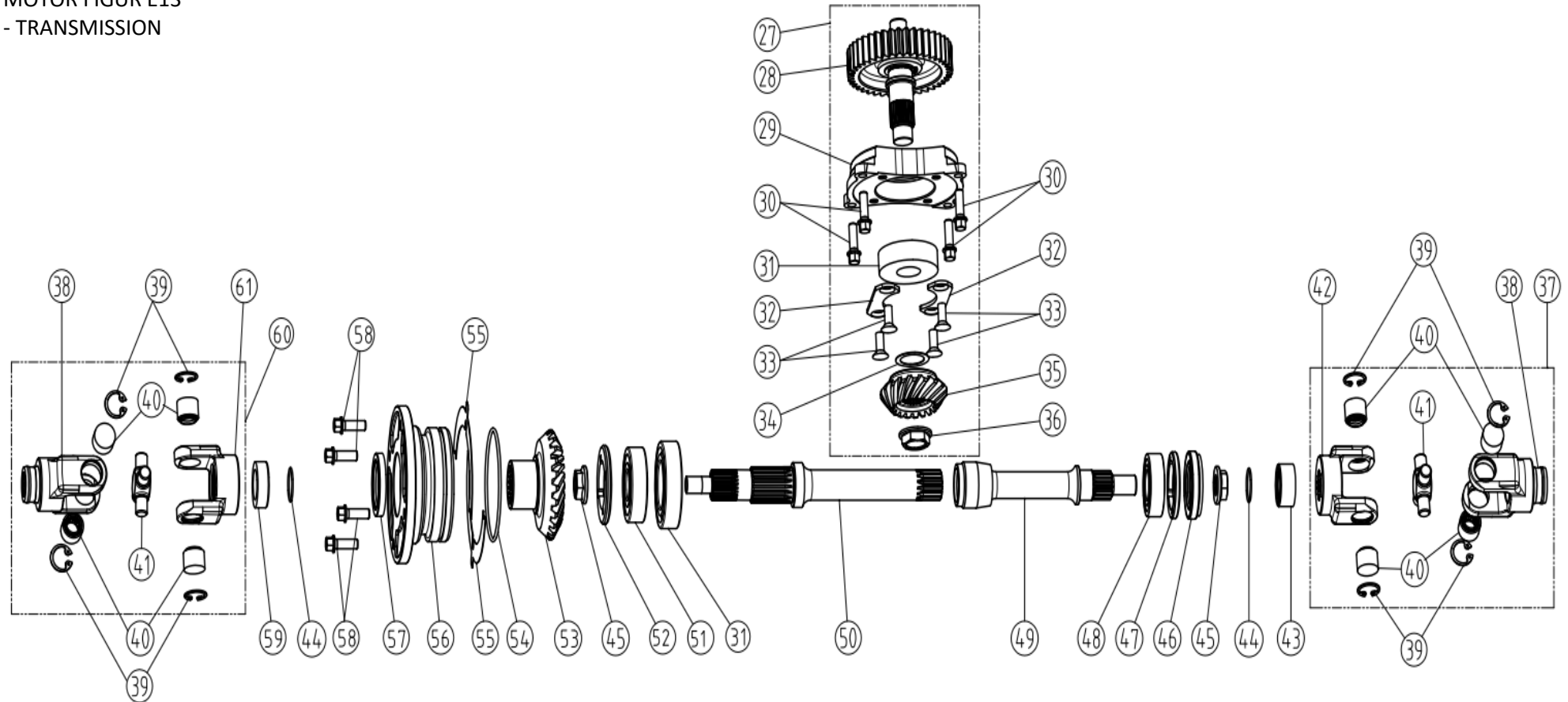
MOTOR FIGUR E12
 – HOVEDAKSEL & UDGANGSAKSEL



DELE TIL FIG E12

Pos	Varenr / item no	Varenavn	Item name	OE	stk / qty
1	9070854	Hoved- og udgangsaksel	MAINSHAFT & COUNTERSHAFT KIT	500290577-0001	1
2	N/A	Hovedaksel, komplet	MAINSHAFT COMP.	191250046-0001	1
3	N/A	Låsering	CHECK RING, ELASTIC	380550123-0001	2
4	N/A	Skive	WASHER, SPLINE	380500027-0001	2
5	N/A	Tandhjul, bakgear	GEAR, REVERSE GEAR DRIVING	191710008-0001	1
6	N/A	Geartandhjul, frem (høj)	DRIVING GEAR, FORWARD GEAR HIGH RANGE	194980001-0001	1
7	N/A	Hovedaksel	MAINSHAFT	191260034-0001	1
8	N/A	Skive	WASHER, PLAIN	380450491-0001	2
9	N/A	Tandhjul, bakgear	DRIVING WHEEL, REVERSE GEAR	191770008-0001	1
10	N/A	Aksel	IDLER SHAFT	191830004-0001	1
11	N/A	Kugleleje	BEARING	380630243-0001	1
12	9070855	Udgangsaksel, komplet	COUNTERSHAFT COMP.	191390085-0001	1
13	N/A	Skive	WASHER, PLAIN	380450494-0001	1
14	N/A	Bøsning	COLLAR	380821544-0001	1
15	N/A	Geartandhjul, frem (lav)	DRIVEN GEAR, FORWARD GEAR LOW RANGE	195040001-0001	1
16	N/A	Skive	WASHER, PLAIN	380450867-0001	1
17	N/A	Klokobling	THUMB WHEEL, GEAR SHIFT	194120002-0001	1
18	N/A	Låsering	CHECK RING, ELASTIC	380550086-0001	2
19	N/A	Bøsning	COLLAR	380821545-0001	1
20	N/A	Geartandhjul, frem (høj)	DRIVEN GEAR, FORWARD GEAR HIGH RANGE	195020001-0001	1
21	N/A	Skive	WASHER, SPLINE	380500028-0001	1
22	N/A	Bøsning	COLLAR	380821546-0001	1
23	N/A	Tandhjul, bakgear	GEAR, REVERSE GEAR DRIVEN	191760007-0001	1
24	N/A	Udgangsaksel	COUNTERSHAFT	191400052-0001	1
25	N/A	Tandhjul	GEAR, TRANSMISION COUNTERSHAFT	194510005-0001	1
26	N/A	Tandhjul	PARKING GEAR	196900001-0001	1

MOTOR FIGUR E13
- TRANSMISSION



DELE TIL FIG E13

Pos	Varenr / item no	Varenavn	Item name	OE	stk / qty
27	9070856	Spidshjulskit	BEVEL GEAR COMP., DRIVING	19506S002-0001	1
28	N/A	Aksel for spidshjul	BRIDGE GEAR SET OF COUNTERSHAFT	197320001-0001	1
29	N/A	Beslag for udgangsaksel	BRACKET, OUTPUT SHAFT	260240002-0001	1
30	N/A	Bolt	BOLT, HEXAGON FLANGE	380140050-0003	4

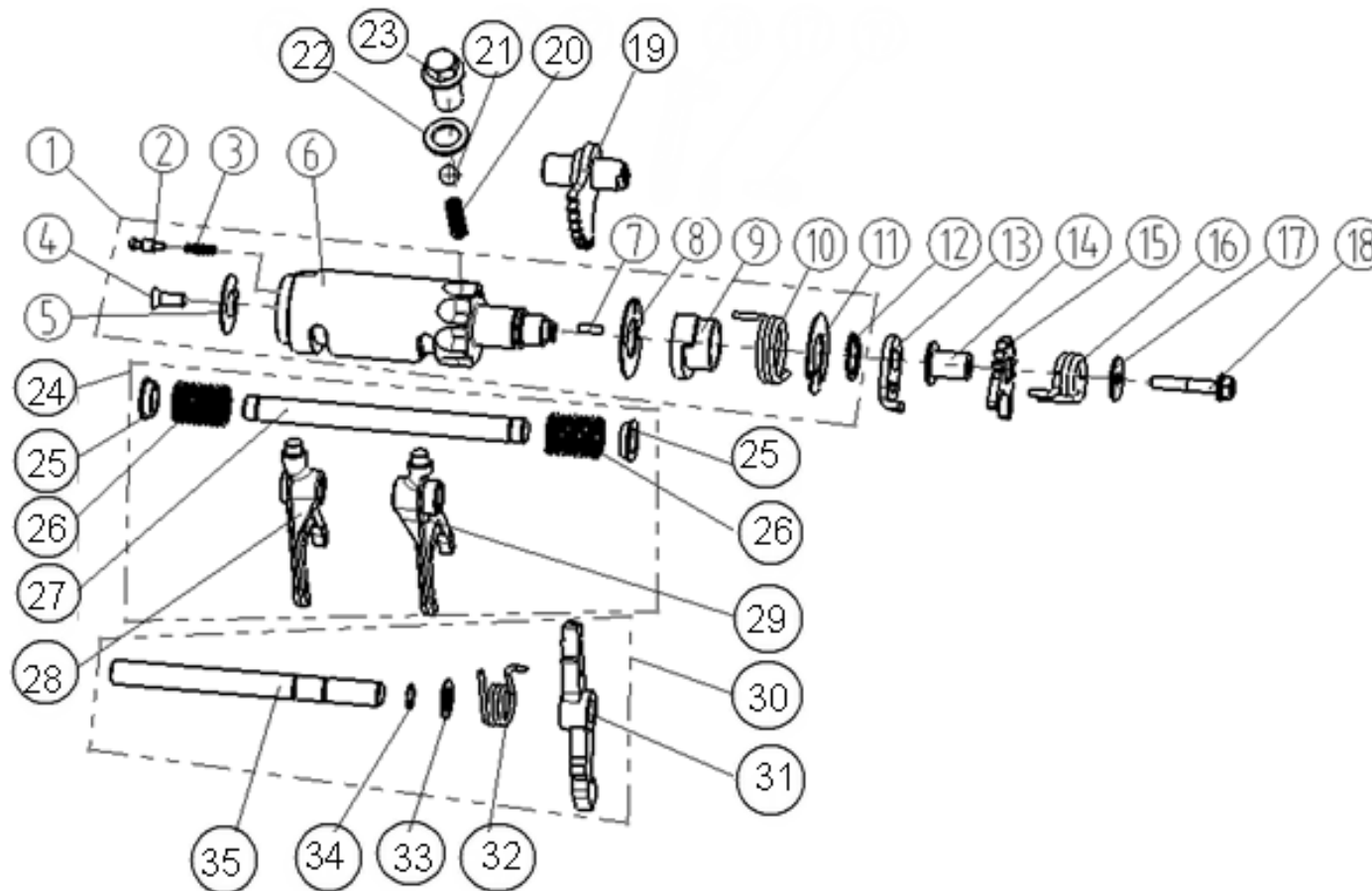
Kontakt
Tlf salgsafdeling: 7021 2626
Tlf teknisk support: 7696 2326

P. Lindberg A/S
Sdr. Ringvej 1
DK - 6600 Vejen

RES LONCIN XWOLF 700L DK V1
www.p-lindberg.dk
e-mail: salg@p-lindberg.dk

Pos	Varenr / item no	Varenavn	Item name	OE	stk / qty
31	N/A	Kugleleje	BEARING	380630048-0003	2
32	N/A	Låseplade	CHECK PLATE, OUTPUT SHAFT BEARING	195200001-0001	2
33	N/A	Bolt	BOLT, LOBULAR SOCKET COUNTERSUNK HEAD	381420010-0001	4
34	N/A	Shim	SHIM, DRIVING BEVEL GEAR GAP ADJUSTMENT	195080003-0001	1
35	N/A	Spidshjul	BEVEL GEAR, DRIVING	195070010-0001	1
36	N/A	Møtrik	NUT, HEXAGON FLANGE	380370046-0001	1
37	9070857	Kardankryds, komplet - venstre	UNIVERSAL JOINT	191840045-0001	1
38	N/A	Adapter for kardankryds	U-TYPE STAND	191850030-0001	2
39	N/A	Låsering	CHECK RING, ELASTIC	380550206-0001	8
40	N/A	Kugleleje	BEARING	380630572-0001	8
41	9070858	Kryds	CROSS	191860018-0001	2
42	N/A	Adapter for kardankryds	U-TYPE STAND	191850029-0001	1
43	N/A	Bøsning	COLLAR	380824102-0001	1
44	N/A	Skive	RING, SEAL	380841360-0001	2
45	N/A	Møtrik	NUT, HEXAGON FLANGE	380370085-0001	2
46	N/A	Pakdåse	OIL SEAL	380650323-0001	1
47	N/A	Slidring	KEP NUT, TRANSMISSION SHAFT BEARING	194100004-0001	1
48	N/A	Kugleleje	BEARING	380630137-0002	1
49	N/A	Udgangsaksel, frem	OUTPUT SHAFT ASSY., FRONT DRIVE	195600003-0001	1
50	N/A	Udgangsaksel, bak	OUTPUT SHAFT, REAR DRIVE	195160002-0001	1
51	N/A	Kugleleje	BEARING	380630263-0001	1
52	N/A	Slidring	KEP NUT, TRANSMISSION SHAFT BEARING	194100003-0001	1
53	9070859	Kronhjul	BEVEL GEAR, DRIVEN	195100001-0001	1
54	N/A	Tætningsring	RING, SEAL	380840487-0001	1
55	N/A	Shim	SHIM, DRIVEN BEVEL GEAR GAP ADJUSTMENT	195110001-0001	2
56	N/A	Ende dæksel	END HOUSING, REAR DRIVE OUTPUT SHAFT	195170001-0001	1
57	N/A	Pakdåse	OIL SEAL	380650324-0001	1
58	N/A	Bolt	BOLT, HEXAGON FLANGE	380140091-0003	4
59	N/A	Bøsning	COLLAR	380824103-0001	1
60	9070860	Kardankryds, komplet - højre	UNIVERSAL JOINT	191840046-0001	1
61	N/A	Adapter for kardankryds	U-TYPE STAND	191850028-0001	1

MOTOR FIGUR E14
– SPEED CONTROL



DELE TIL FIG E14

Pos	Varenr / item no	Varenavn	Item name	OE	stk / qty
1	9070861	Skiftetromle, komplet	DRUM ASSY., GEAR SHIFT	192070011-0001	1
2	9070862	Skiftekontakt, gear	SHIFT CONTACT, GEAR INDICATOR SWITCH	270720015-0001	1
3	N/A	Trykfjeder	SPRING, COMPRESSION	381150327-0001	1
4	N/A	Skrue	SCREW, CROSS RECESSED COUNTERSUNK HEAD	380220004-0001	1
5	N/A	Skive	PLATE, GEAR INDICATOR SHIFT CONTACT FIXING	272660003-0001	1
6	N/A	Skiftetromle	DRUM COMP., GEAR SHIFT	192080051-0001	1
7	N/A	Styretap	PIN, DOWEL	380600007-0001	1
8	N/A	Skive	WASHER, PLAIN	380450974-0001	1

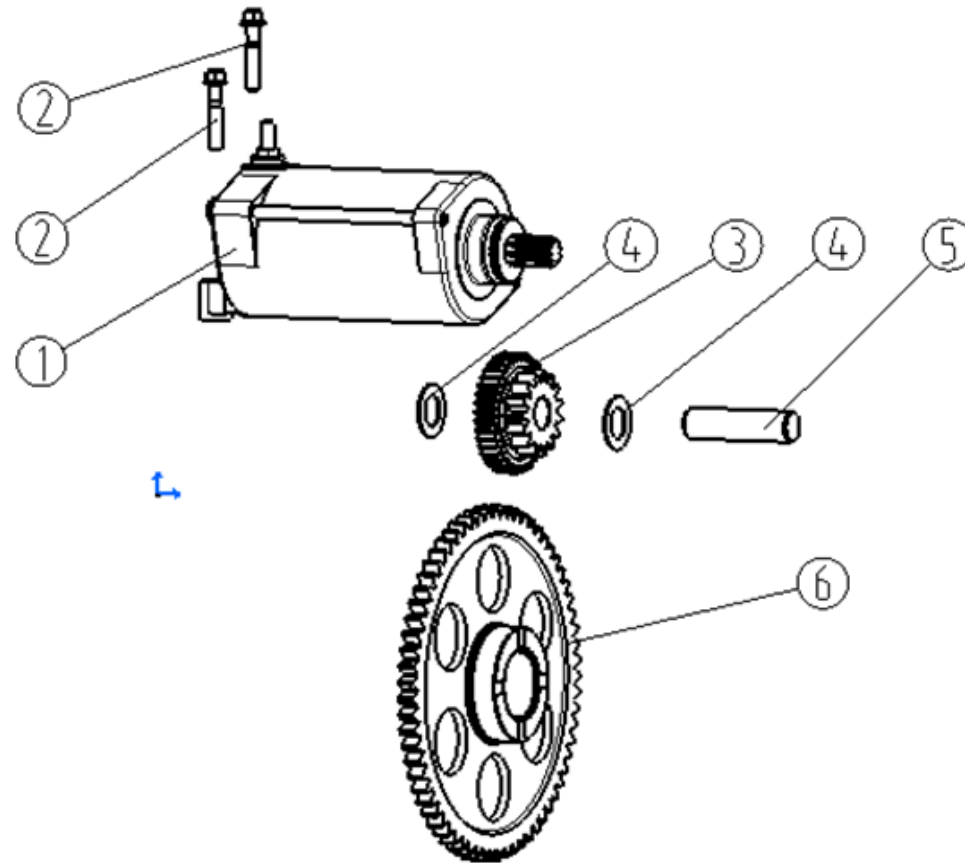
Kontakt
Tlf salgsafdeling: 7021 2626
Tlf teknisk support: 7696 2326

P. Lindberg A/S
Sdr. Ringvej 1
DK – 6600 Vejen

RES LONCIN XWOLF 700L DK V1
www.p-lindberg.dk
e-mail: salg@p-lindberg.dk

Pos	Varenr / item no	Varenavn	Item name	OE	stk / qty
9	N/A	-	CAM OF PARKING	196870001-0001	1
10	N/A	Strammefjeder	SPRING, TORSIONAL	381160201-0001	1
11	N/A	Skive	WASHER, PLAIN	380450973-0001	1
12	N/A	Låsering	CHECK RING, ELASTIC	380550009-0001	1
13	N/A	Låseplade	PLATE, GEAR SHIFT LIMIT	192350007-0001	1
14	N/A	Bøsning	DRUM COMP., GEAR SHIFT	192110007-0001	1
15	N/A	Tandhjul	GEAR QUADRANT, GEAR SHIFT DRUM	194150002-0001	1
16	N/A	Strammefjeder	SPRING, TORSIONAL	381160088-0001	1
17	N/A	Skive	WASHER, PLAIN	380450492-0001	2
18	N/A	Bolt	BOLT, HEXAGON FLANGE	380140100-0001	1
19	N/A	Gearskiftespindel	SPINDLE ASSY., GEAR SHIFT	192330017-0001	1
20	N/A	Trykfjeder	SPRING, COMPRESSION	381150253-0001	1
21	N/A	Kugle til anhængergreb	BALL, STEEL	380640016-0001	1
22	N/A	Skive	WASHER, PLAIN	380450362-0001	1
23	N/A	Bolt	BOLT, HEXAGON FLANGE	380140211-0002	1
24	9070863	Skiftegeffel	FORK ASSY., GEAR SHIFT	19453S004-0001	1
25	N/A	Krave	COLLAR	380822185-0001	2
26	N/A	Trykfjeder	SPRING, COMPRESSION	381150478-0001	2
27	N/A	Aksel	SHAFT, SHIFT FORK GUIDE	192130013-0001	1
28	N/A	Skiftegeffel, højre	FORK, GEAR SHIFT	192120037-0001	1
29	N/A	Skiftegeffel, venstre	FORK, GEAR SHIFT	192120056-0001	1
30	9070864	Aksel for parkering	SHAFT ASSY. OF PARKING	196880001-0001	1
31	N/A	bremsepal	PARKING ARM	196910001-0001	1
32	N/A	Strammefjeder	SPRING, TORSIONAL	381160202-0001	1
33	N/A	Skive	WASHER, PLAIN	380450854-0001	1
34	N/A	Låsering	CHECK RING, ELASTIC	380550007-0001	1
35	N/A	Aksel for parkering	PARKING SHAFT	196890001-0001	1

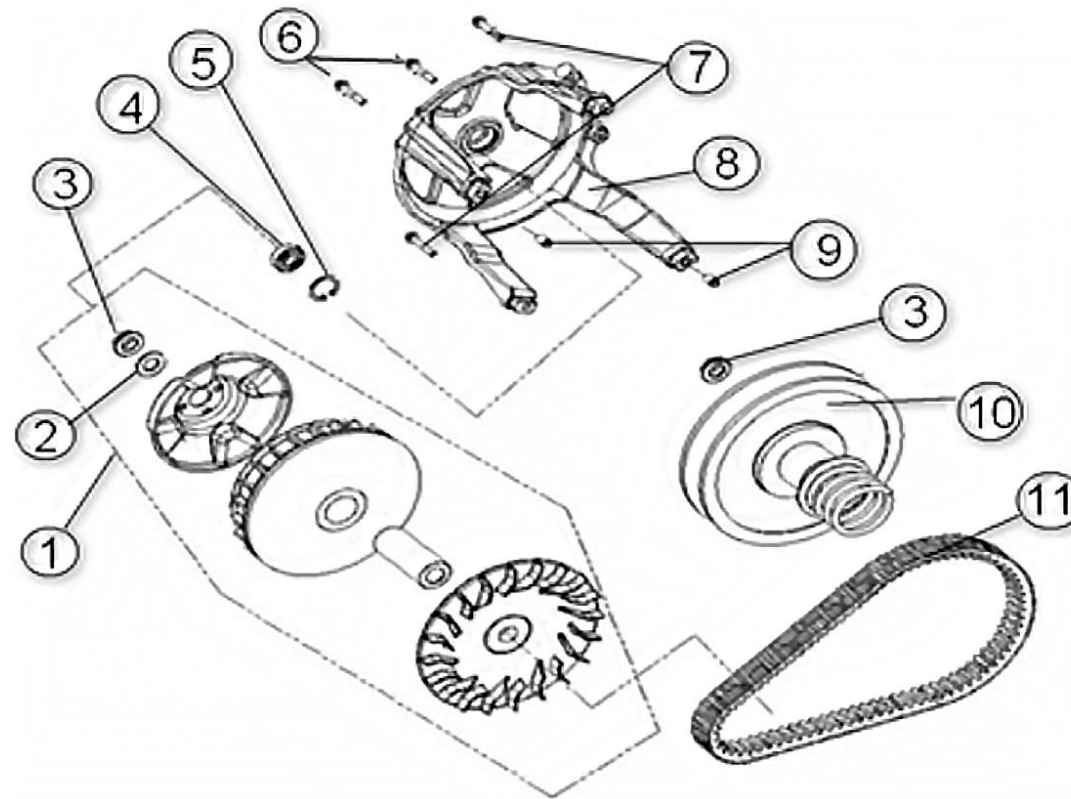
MOTOR FIGUR E15
– START MOTOR



DELE TIL FIG E15

Pos	Varenr / item no	Varenavn	Item name	OE	stk / qty
1	9070865	Startmotor. komplet	MOTOR ASSY., STARTING	270350038-0001	1
2	N/A	Bolt	BOLT, HEXAGON FLANGE	380140143-0001	2
3	N/A	Mellemgear	DUPLEX GEAR, ELECTRIC STARTING	193190021-0001	1
4	N/A	Skive	WASHER, PLAIN	380450497-0001	2
5	N/A	Mellemgear aksel	SHAFT, DUPLEX GEAR	193230017-0001	1
6	N/A	Starterdrev	DISK GEAR	193240022-0001	1

MOTOR FIGUR E16
– REMTRÆK



DELE TIL FIG E16

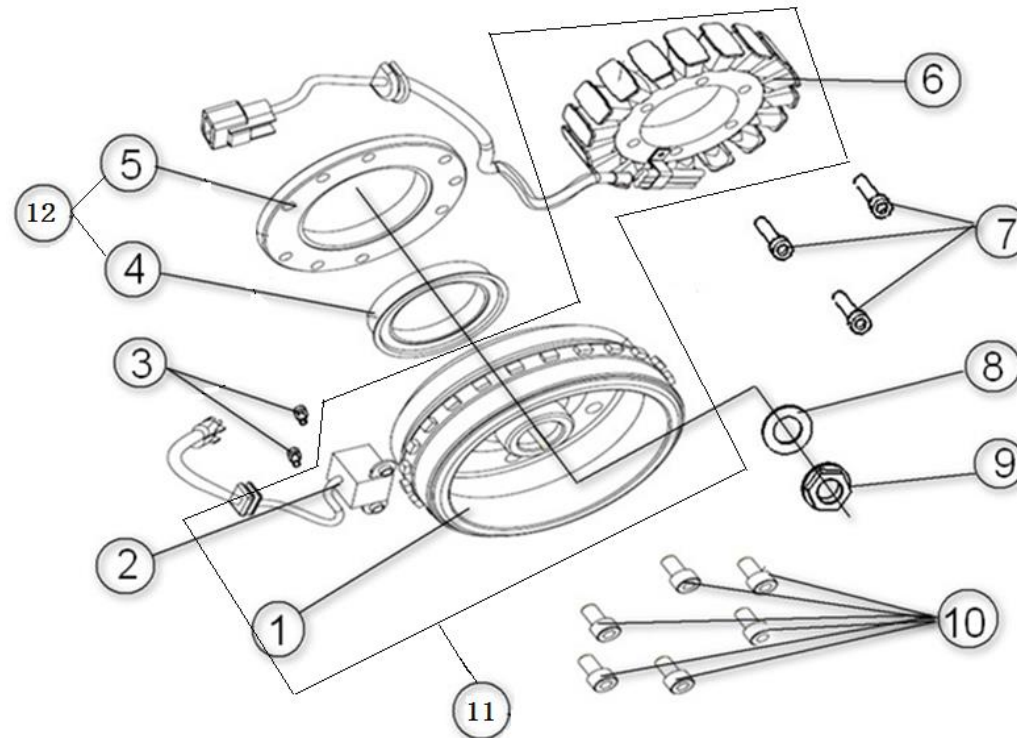
Pos	Varenr / item no	Varenavn	Item name	OE	stk / qty
1	9070866	Variator/CVT	BELT PULLEY ASSY., DRIVING	192810008-0001	1
2	N/A	Skive	WASHER, PLAIN	380450568-0001	1
3	N/A	Møtrik	NUT, HEXAGON FLANGE	380370053-0001	2
4	N/A	Kugleleje	BEARING	380630036-0002	1
5	N/A	Låsering	CHECK RING, ELASTIC	380550100-0001	1
6	N/A	Bolt	BOLT, HEXAGON FLANGE	380140019-0003	2
7	N/A	Bolt	BOLT, HEXAGON FLANGE	380140143-0001	2
8	N/A	Beslag	BRACKET, CVT	195210001-0001	1
9	N/A	Styretap	PIN, DOWEL	380600110-0001	1
10	9070867	Remskive	BELT PULLEY COMP., DRIVEN	192890009-0001	1
11	9070868	Variatorrem	BELT	193000012-0001	1

Kontakt
Tlf salgsafdeling: 7021 2626
Tlf teknisk support: 7696 2326

P. Lindberg A/S
Sdr. Ringvej 1
DK – 6600 Vejen

RES LONCIN XWOLF 700L DK V1
www.p-lindberg.dk
e-mail: salg@p-lindberg.dk

MOTOR FIGUR E17
– GENERATOR



DELE TIL FIG E17

Pos	Varenr / item no	Varenavn	Item name	OE	stk / qty
1	9070869	Svinghjul	ROTOR COMP.	270020636-0001	1
2	9070870	Taktgiver	TRIGGER COMP.	270140010-0001	1
3	N/A	Skrue	SCREW, HEXAGON SOCKET	380190037-0002	2
4	N/A	Isolator	ISOLATOR, STARTING CLUTCH	194350002-0001	1
5	N/A	Yderring	OUTER RING, STARTING CLUTCH	194140002-0001	1
6	9070871	Stator	STATOR COMP.	270100077-0002	1
7	N/A	Skrue	SCREW, HEXAGON SOCKET	380190071-0004	3
8	N/A	Skive	WASHER, PLAIN	380451224-0001	1
9	N/A	Møtrik	NUT, HEXAGON FLANGE	380370083-0001	1
10	N/A	Skrue	SCREW, HEXAGON SOCKET	380190085-0001	6
11	9070872	Generator	GENERATOR ASSY.	270010512-0001	1
12	N/A	Yderring og isolator	BODY ASSY., STARTING CLUTCH	193090020-0001	1

Vi forbeholder os ret til uden foregående varsel at ændre de tekniske parametre og specifikationer for dette produkt

Kontakt
Tlf salgsafdeling: 7021 2626
Tlf teknisk support: 7696 2326

P. Lindberg A/S
Sdr. Ringvej 1
DK – 6600 Vejen

RES LONCIN XWOLF 700L DK V1
www.p-lindberg.dk
e-mail: salg@p-lindberg.dk