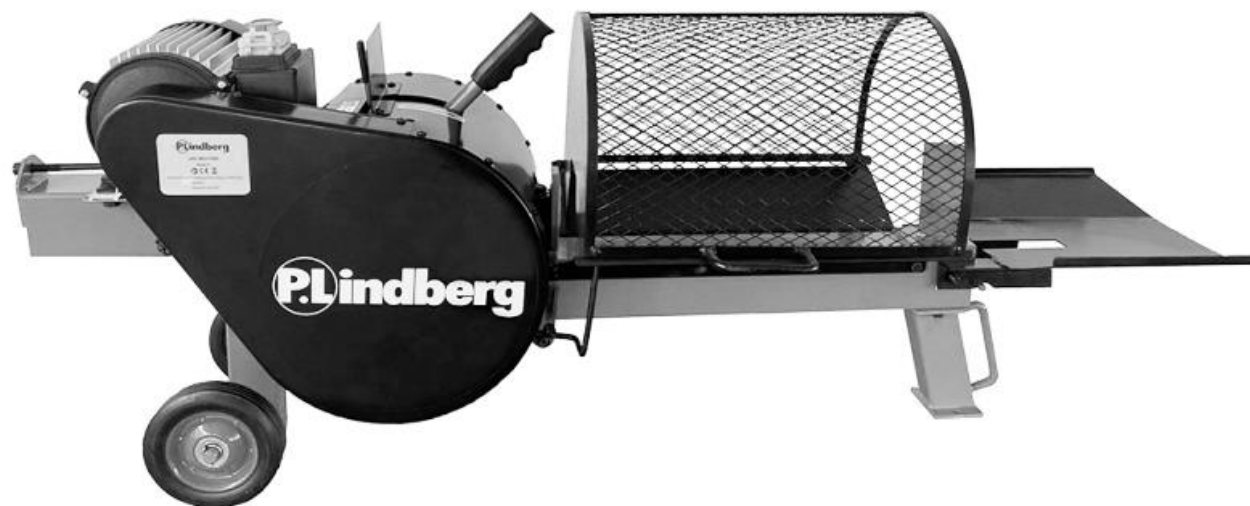


SKOG & TRÄDGÅRD



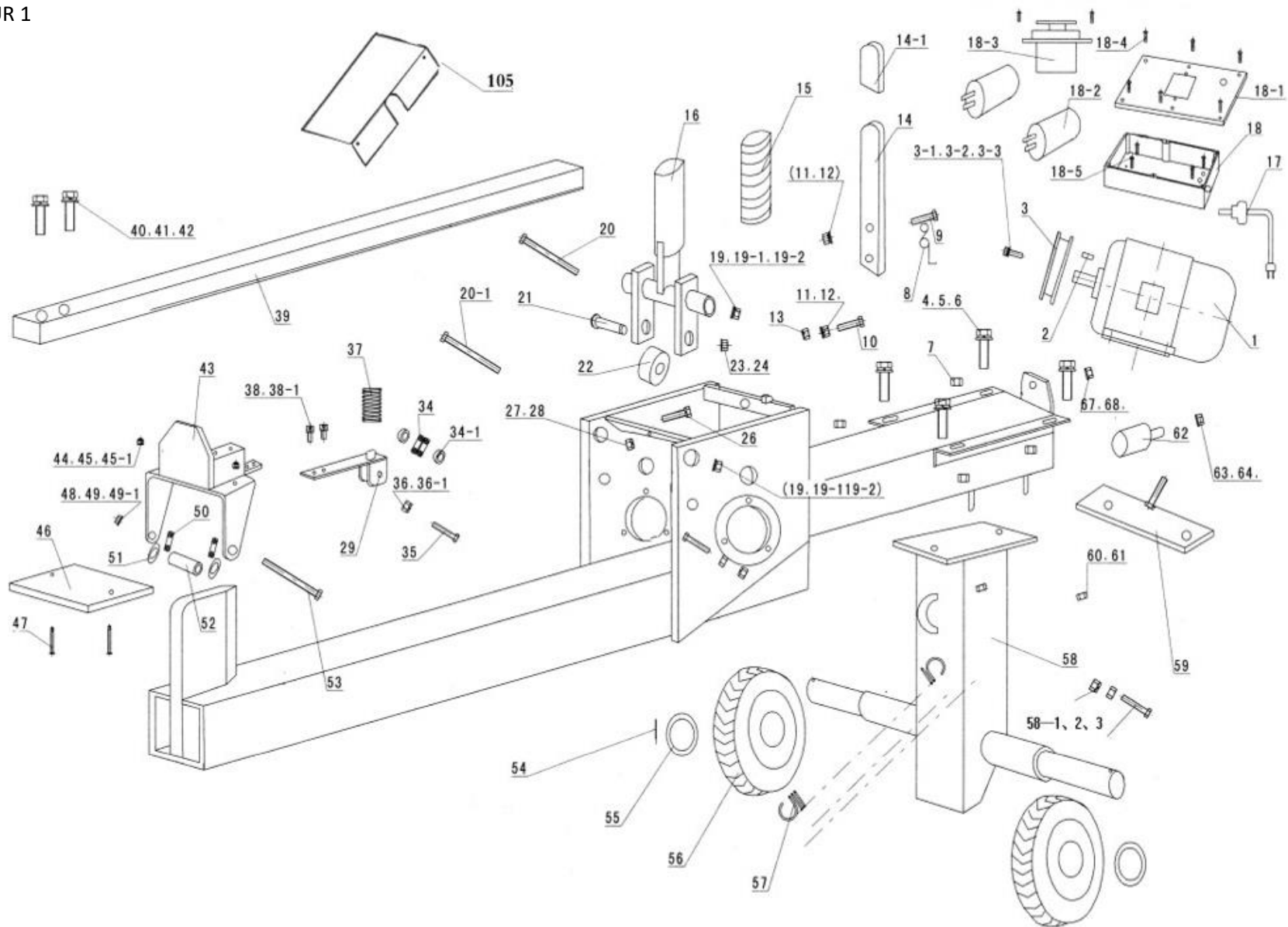
VEDKLYV 7 TON TURBO

Reservdelskatalog till
9062086



17.03.2021
reviderad 14.11.2024

FIGUR 1



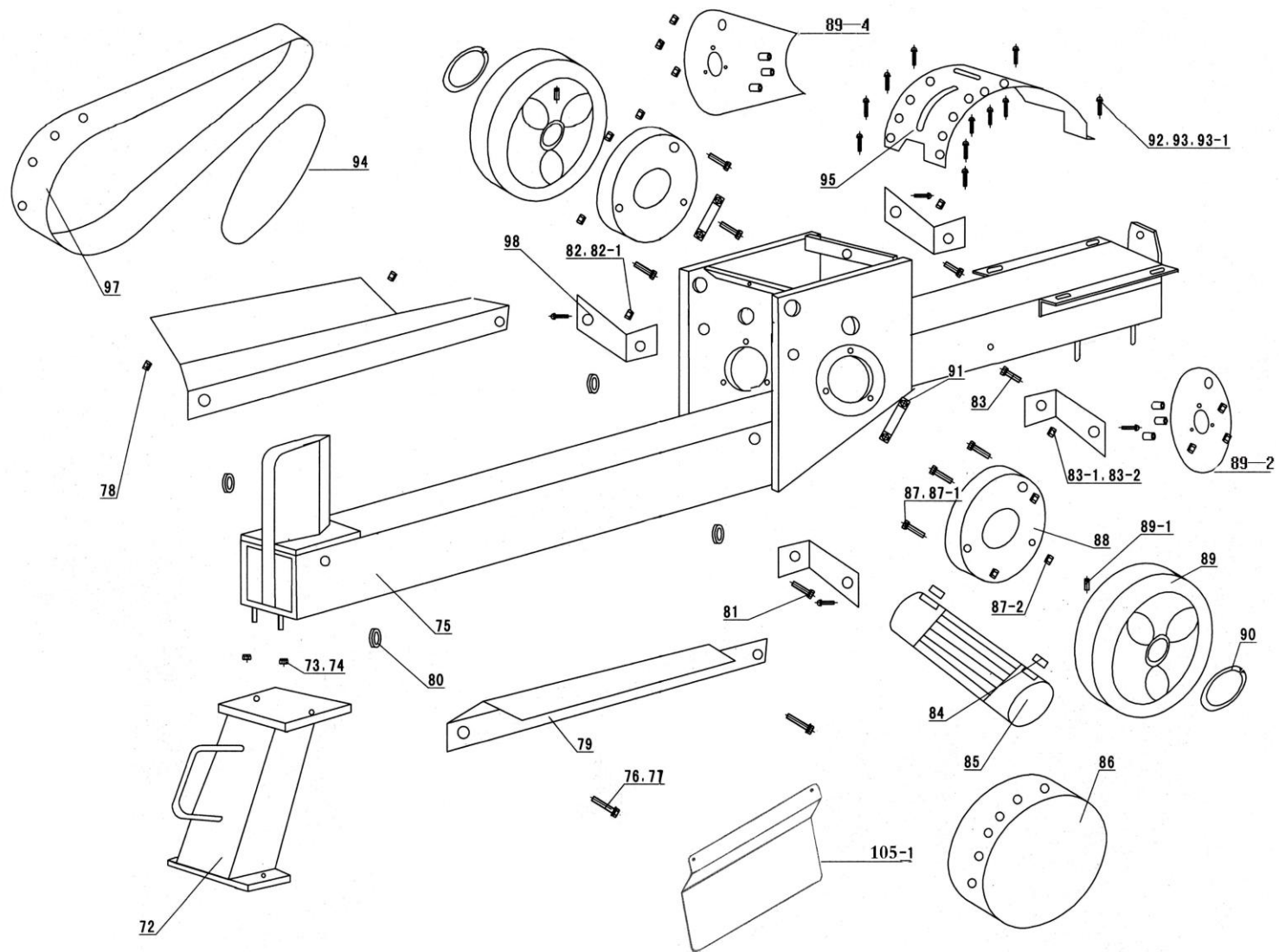
DELAR TILL FIGUR 1

Pos	Art.	Varunamn	Item name	Antal / quantity
1	9058496	230V motor 1,5 kW	Engine 1,5 kW	1
2	N/A	Kil	Flat key 6x25	1
3	9058498	Remskiva	Pulley	1
3.1	9050231	Bult, M8x20	Hexagonal bolt, M8x20	1
3.2	9050202	Platt bricka Ø8	Flat gasket, Ø8	1
3.3	N/A	Fjäderbricka Ø8	Spring gasket, Ø8	1
4	9050241	Bult, M10x30	Hexagonal bolt, M10x30	4
5	9050203	Platt bricka Ø10	Flat gasket, Ø10	4
6	N/A	Fjäder bricka Ø10	Spring gasket, Ø10	4
7	9050215	Låsmutter M10	Nut M10	4
8	N/A	Fjäder	Spring	1
9	9050244	Bult, M10x60	Hexagonal bolt, M10x60	1
10	9050242	Bult, M10x40	Hexagonal bolt, M10x40	1
11	9050208	Mutter M10	Nut M10	3
12	N/A	Fjäderbricka	Spring gasket	2
13	N/A	Mutter	Nut	2
14	N/A	Handtag	Spa handle cing board	1
14.1	N/A	Skydd för handtag	Handle cover	1
15	N/A	Anslutningsplatta	Connection plate	1
15.1	N/A	Skydd för handtag	Handle cover	1
16	N/A	Frigöringsmekanism	Rack handle	1
17	N/A	Tråd	Power cord	1
18	9058502	Elbox	Switch case	1
18.1	9058503	ON/OFF	Switch the lid	1
18.2	9058504	Kondensator	Capacitor	2
18.3	9058505	Nödstopp	Magnetic switch	1
18.4	N/A	Skruv 3,5x15	Tapping screw, 3,5x15	6
18.5	N/A	Skruv, M5x8	Half-round head screw, M5x8	4
19	9050210	Mutter M16	Nut M16	2
19.1	9050205	Hyvel Ø16	Flat gasket, Ø16	1
19.2	N/A	Fjäderbricka Ø16	Spring gasket, Ø16	1

Pos	Art.	Varunamn	Item name	Antal / quantity
20	N/A	Bult, M16x115	Hexagonal bolt, M16x115	1
21	9050252	Bult, M12x50	Hexagonal bolt, M12x50	2
22	9067258	Lager 6200-2RS	Bearing	1
23	9050204	Platt bricka Ø12	Flat gasket, Ø12	2
24	9050216	Låsmutter M12	Lock nut M12	3
26	9050241	Bult, M10x30	Hexagonal bolt, M10x30	1
27	9050208	Mutter M10	Nut	1
28	N/A	Fjäderbricka	Spring gasket, Ø10	1
29	9058538	Styrmekanism	Guide holder	1
31	9050243	Bult, M10x50	Hexagonal bolt, M10x50	1
32	9050208	Mutter M10	Nut M10	2
33	N/A	Fjäderbricka	Spring gasket, Ø10	2
34	9071549	Lager 6900	Bearing 6900	2
34.1	9071550	Distansbussning	Spacer bush	2
35	N/A	Bult, M6x12	Hexagonal bolt, M6x12	2
36	9050208	Mutter M10	Nut M10	1
36.1	9050203	Plattbricka Ø10	Flat gasket, Ø10	1
37	9058506	Fjäder	Spring	1
38	9050230	Bult, M8x16	Hexagonal bolt, M8x15	1
38.1	9050202	Fjäderbricka Ø8	Spring gasket, Ø8	1
39	9058539	Tandstång	Rack	1
40	9066390	Bult, M12x1,25x60	Hexagonal bolt, M12x1,25x60	2
41	N/A	Fjäderbricka Ø10	Spring gasket, Ø10	2
42	9050203	Plattbricka Ø10	Flat gasket, Ø10	2
43	9067557	Pressarfot	Ejector part	1
44	N/A	Mutter M5	Cap nut M5	2
45	N/A	Fjäderbricka Ø5	Spring gasket, Ø5	2
46	N/A	Tallrik	Sub plate	1
47	N/A	Försänkt skruv M5x15	Countersunk screw, M5x15	1
48	9050215	Låsmutter M10	Nut M10	2
49	9050203	Plattbricka Ø10	Flat gasket, Ø10	1
51	9067258	Lager 6200-2RS	Bearing	1
52	N/A	Distansbussning	Spacer bush	1

Pos	Art.	Varunamn	Item name	Antal / quantity
53	9058507	Bult, M10x110	Hexagonal bolt, M10x110	1
54	N/A	Stift	Spring pin, Ø3	2
55	9050205	Planbricka Ø16	Flat gasket, Ø16	2
56	9058569	Hjulsats (2 st.)	Wheels, Ø200x40	2
57	9058541	Fjäder	Tension spring	1
58	N/A	Fäste för hjulaxel	Wheel shaft bracket	1
58.1	9050231	Bult, M8x20	Hexagonal bolt, M8x20	1
58.2	N/A	Fjäderbricka Ø8	Spring gasket, Ø8	4
58.3	9050207	Mutter M8	Nut M8	4
59	N/A	Justeringsplatta	Adjusting plate for engine	1
60	9050207	Mutter M8	Nut M8	2
61	N/A	Rör	Stent	1
62	9058509	Returstopp / gummistopp	Shock pad	1
63	9050207	Mutter M8	Nut M8	1
64	9050202	Planbricka Ø8	Flat gasket, Ø8	1
65	N/A	Fjäderbricka Ø8	Spring gasket, Ø8	1
67	N/A	Bult, M8x110	Hexagonal bolt, M8x110	1
68	9050203	Planbricka Ø10	Flat gasket, Ø10	1
69	9050208	Mutter M10	Nut M10	1
105	N/A	Skyddsplatta	Safety baffle 1	1

FIGUR 2

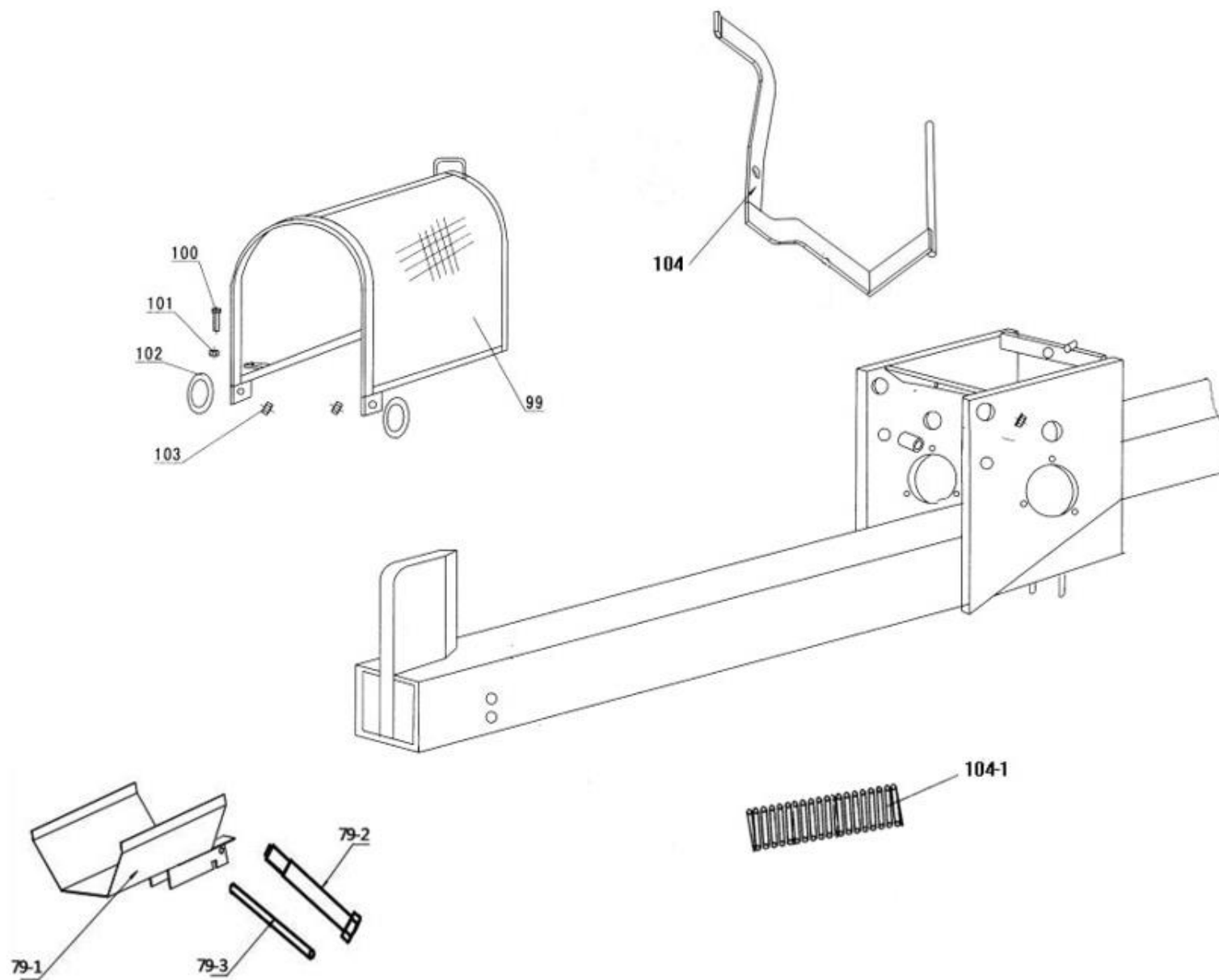


DELAR TILL FIGUR 2

Pos	Art.	Varunamn	Item name	Antal / quantity
72	N/A	Stödfot, fram	Front support	1
73	9050207	Mutter M8	Nut M8	2
74	N/A	Fjäderbricka Ø8	Spring gasket, Ø8	2
75	N/A	Bom	Beam	1
76	N/A	Bult, M8x110	Hexagonal bolt, M8x110	2
77	9050202	Planbricka Ø8	Flat gasket, Ø8	4
78	9050207	Mutter M8	Nut M8	4
79	N/A	Arbetsbord	Work table	2
80	N/A	Distansbussning	Spacer bush for	4
81	N/A	Bult, M8x110	Hexagonal bolt, M8x110	1
82	N/A	Fjäderbricka Ø8	Spring gasket, Ø8	2
82.1	9050207	Mutter M8	Nut M8	2
83	N/A	Bult, M8x25	Hexagonal bolt, M8x25	2
83.1	N/A	Fjäderbricka Ø8	Spring gasket, Ø8	2
83.2	9050202	Planbricka Ø8	Flat gasket, Ø8	1
84	9058511	Kil 8x7x20	Flat key, 8x7x20	1
85	9058513	Axel	Pinion	1
86	9058571	Remskydd, liten	Cover 2	1
87	N/A	Bult	Hexagonal bolt, M8x1x10	6
87.1	N/A	Fjäderbricka Ø8	Spring gasket, Ø8	6
87.2	9050207	Mutter M8	Nut M8	12
88	N/A	Huva	Bearing cap	2
89	9058570	Remskiva	Fly wheel	2
89.1	N/A	Skruva	Socket head cap screw, M8x15	2
89.2	N/A	Innerskärm (1)	Inner shield 1	1
89.3	N/A	Spacer	Spacer	6
89.4	N/A	Innerskärm (2)	Inner shield 2	1
90	N/A	Låsring Ø25	Spring clip, Ø25	2
91	9038553	Lager 6006	Bearing 6006	2
92	N/A	Skruv, M5x8	Half-round head screw, M5x8	13
93	N/A	Planbricka Ø5	Flat gasket, Ø5	13

Pos	Art.	Varunamn	Item name	Antal / quantity
93.1	N/A	Fjäderbricka Ø5	Spring gasket, Ø5	13
94	9058515	Rem A1180	Belt, A1180	1
95	9058572	Skärm 7 ton	Cover 3	1
97	9058573	Remskärm stor 7 ton	Cover 1	1
98	N/A	Hållare	Cover support plate	4
105.1	N/A	Skyddsplatta	Safety baffle 2	1

FIGUR 3



DELAR TILL FIGUR 3

Pos	Art.	Varunamn	Item name	Antal / quantity
79.1	N/A	Hållare	Support table	1
79.2	N/A	Mutter	Fixing nut	1
79.3	N/A	Pin	Rotating pin	1
99	N/A	Säkerhetsgaller	Protection guard	1
100	9050233	Bult, M8x40	Hexagonal bolt, M8x40	1
101	9050207	Mutter M8	Nut M8	1
102	9050203	Planbricka Ø10	Flat gasket, Ø10	2
103	9050208	Mutter M10	Nut M10	2
104	N/A	Stång	Linkage rod	1
104.1	N/A	Fjäder	Extension spring	1

Vi förbehåller oss rätten att ändra de tekniska parametrarna och specifikationerna för denna produkt utan föregående meddelande