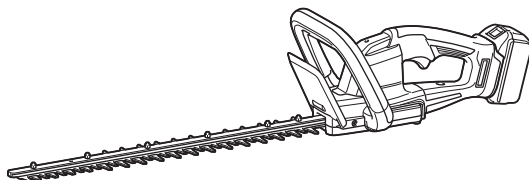
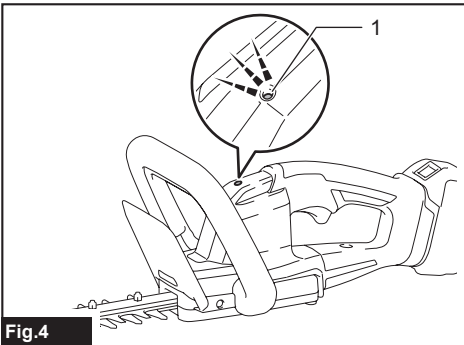
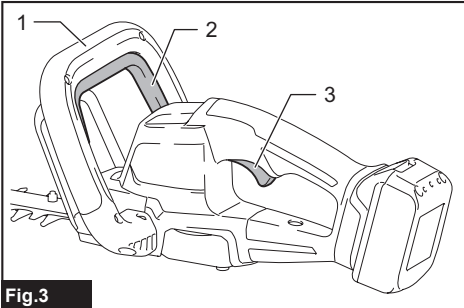
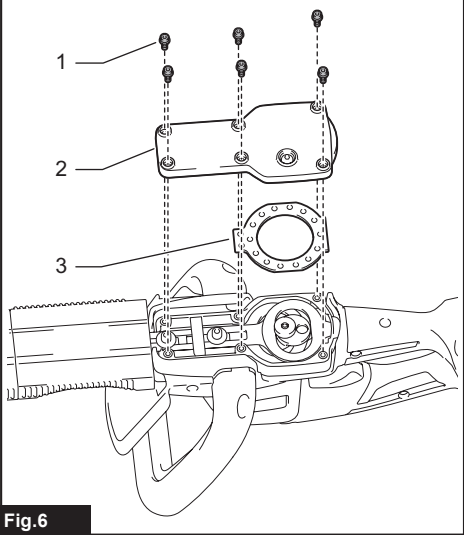
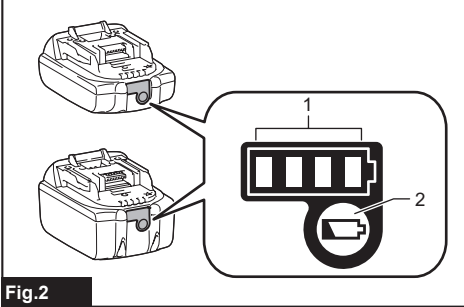
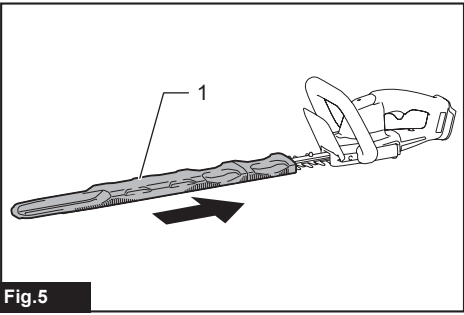
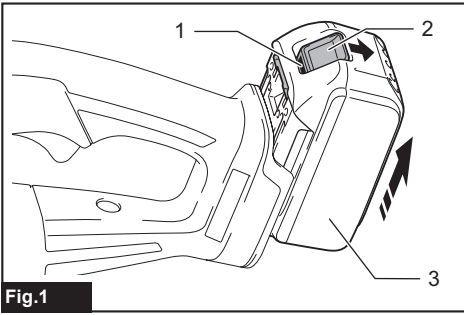




EN	Cordless Hedge Trimmer	INSTRUCTION MANUAL	8
SV	Batteridrivnen häcksax	BRUKSANVISNING	17
NO	Batteridrevet hekktrimmer	BRUKSANVISNING	26
FI	Akkukäyttöinen pensasleikkuri	KÄYTTÖOHJE	35
DA	Akku hækketrimmer	BRUGSANVISNING	44
LV	Bezvadu dzīvžoga apgriezējmašīna	LIETOŠANAS INSTRUKCIJA	53
LT	Akumuliatorinės gyvatvorių žirklys	NAUDOJIMO INSTRUKCIJA	62
ET	Juhtmeta hekilõikur	KASUTUSJUHEND	71
RU	Аккумуляторный Кусторез	РУКОВОДСТВО ПО ЭКСПЛУАТАЦИИ	80

DUH506
DUH606





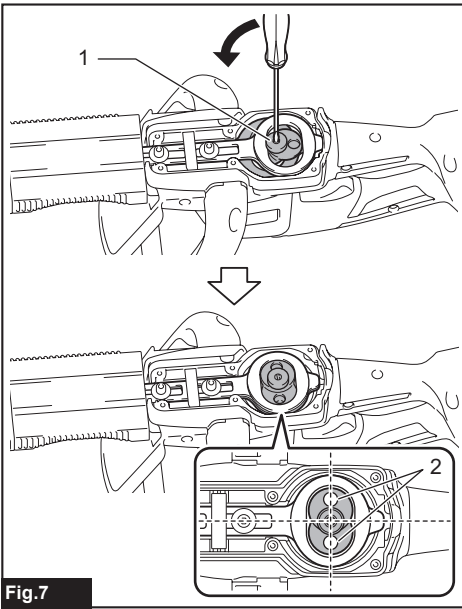


Fig.7

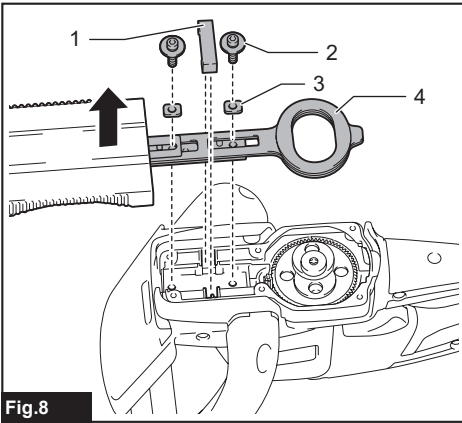


Fig.8

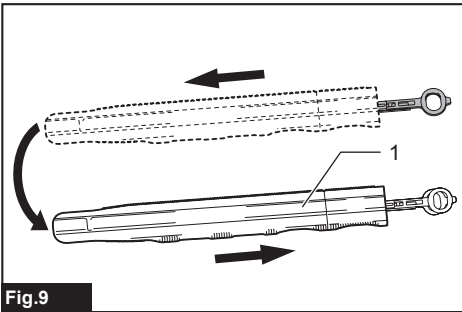


Fig.9

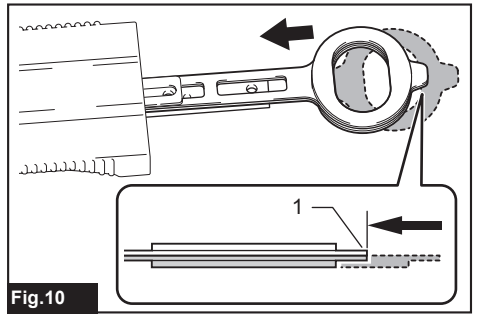


Fig.10

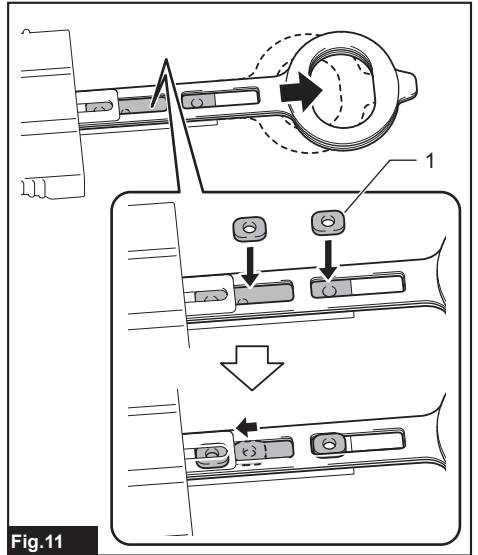


Fig.11

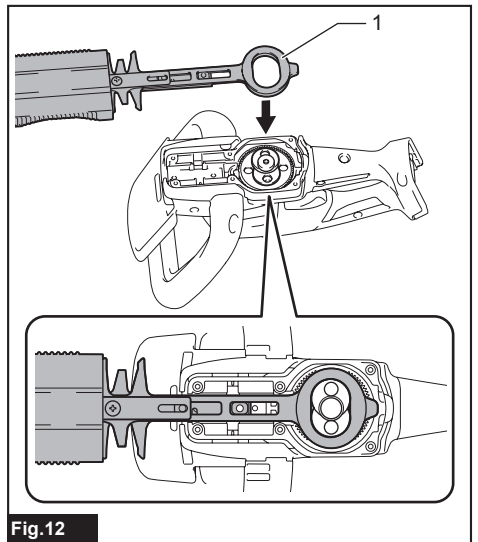


Fig.12

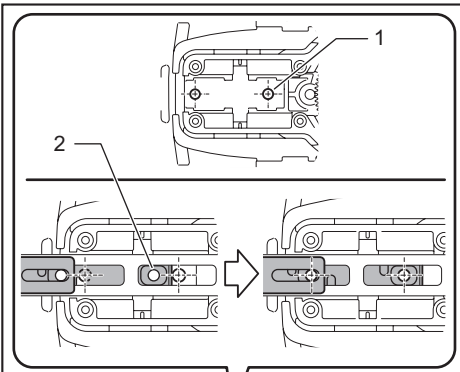


Fig.13

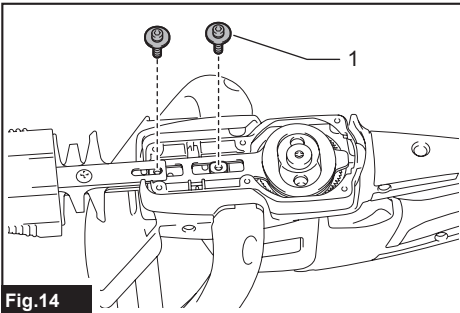


Fig.14

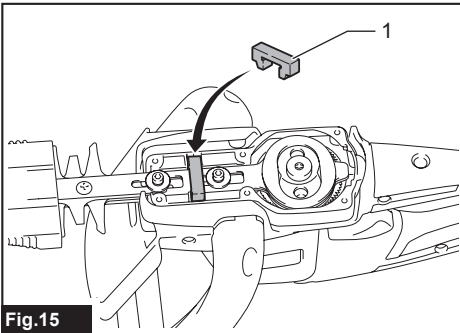


Fig.15

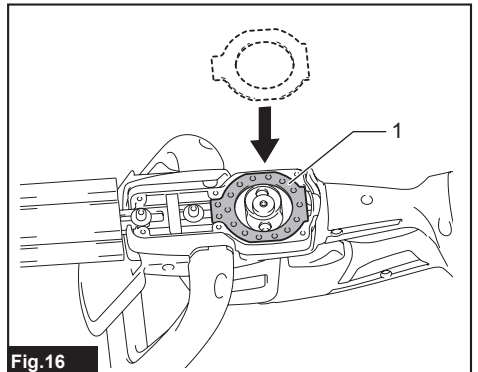


Fig.16

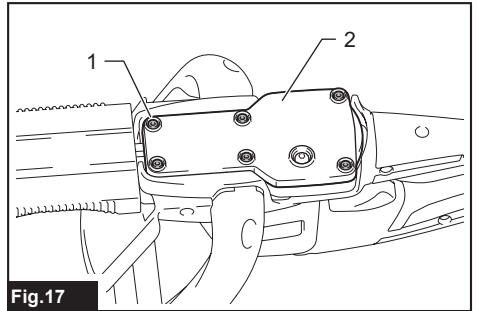


Fig.17

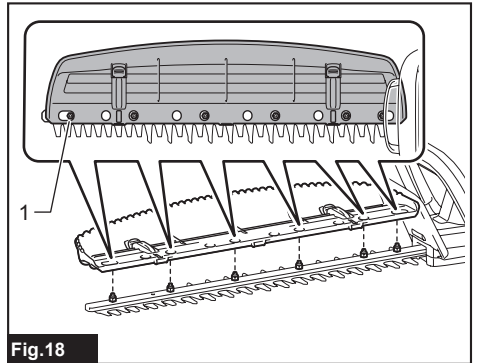


Fig.18

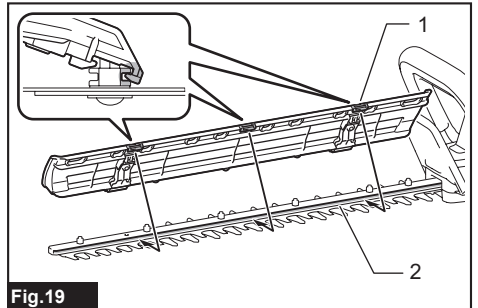


Fig.19

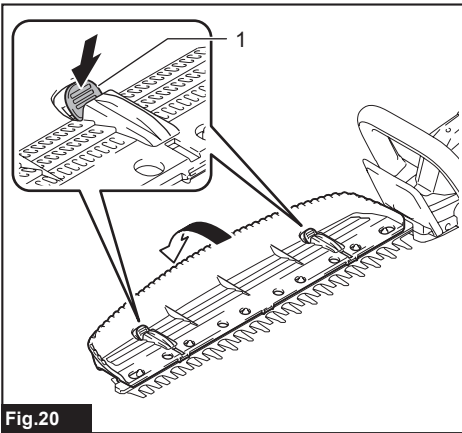


Fig.20

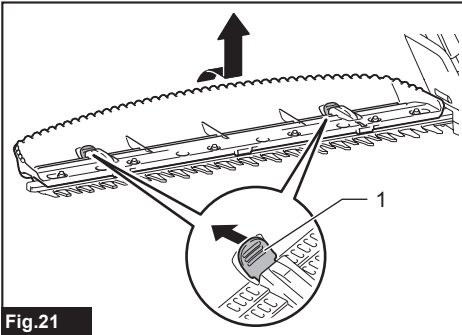


Fig.21

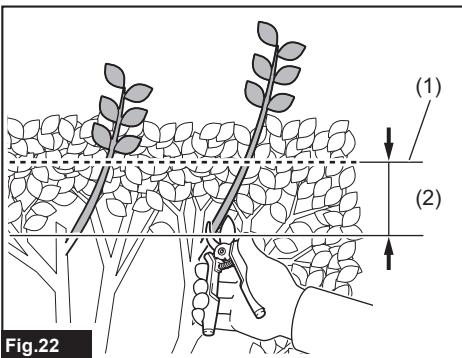


Fig.22

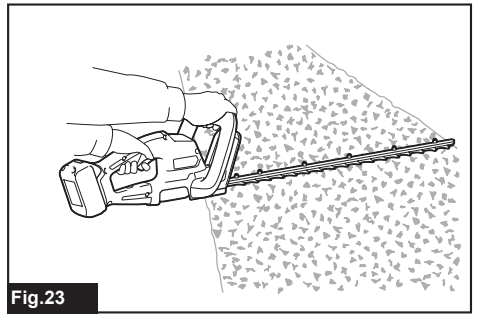


Fig.23

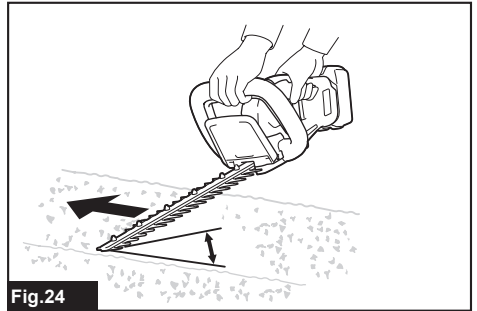


Fig.24

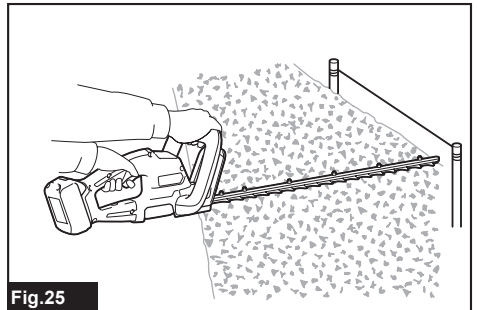


Fig.25

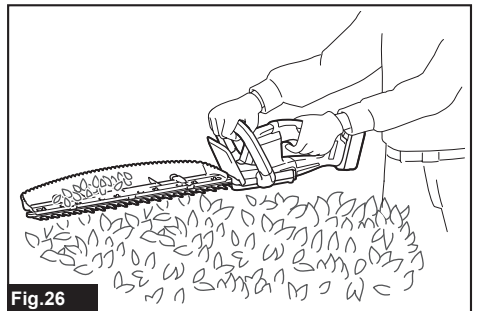


Fig.26

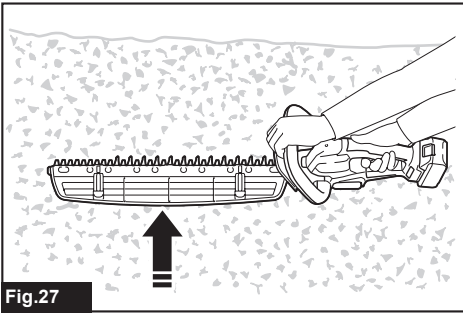


Fig.27

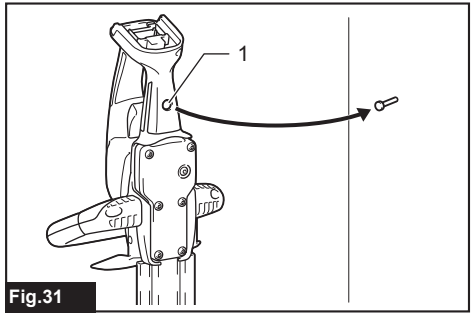


Fig.31

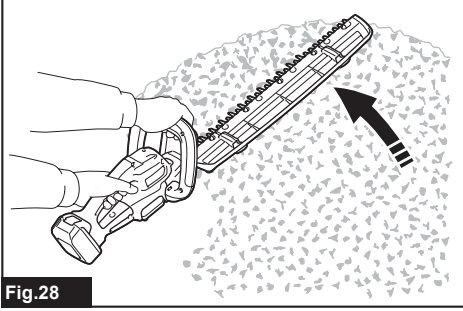


Fig.28

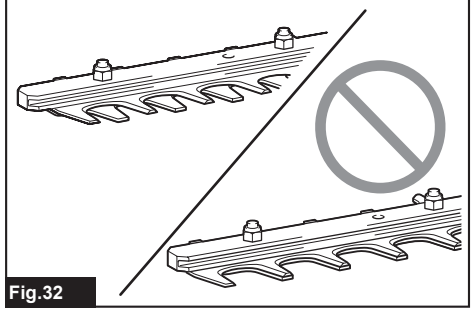


Fig.32

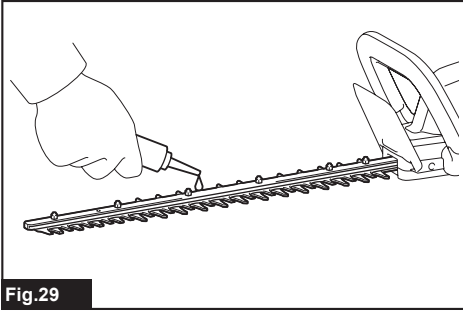


Fig.29

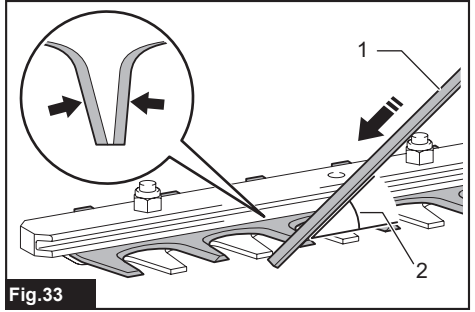


Fig.33

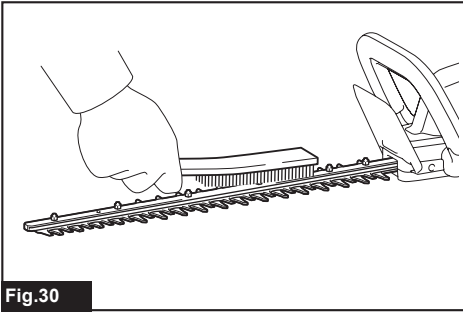


Fig.30

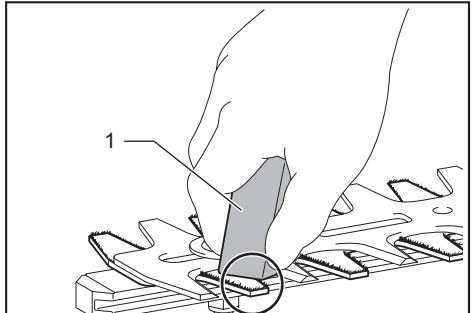


Fig.34

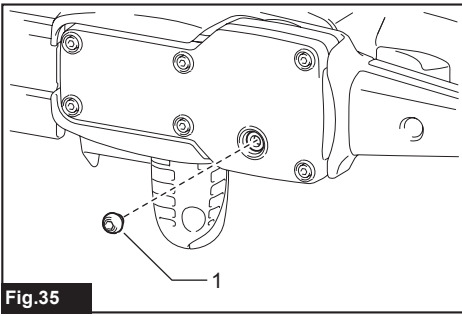


Fig.35

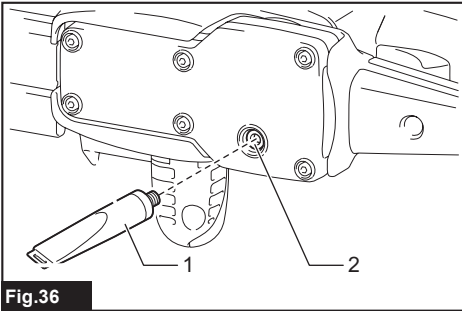


Fig.36

SPECIFICATIONS

Model:	DUH506	DUH606
Blade length	500 mm	600 mm
Strokes per minute	4,000 min ⁻¹	
Overall length (Without battery)	846 mm	965 mm
Rated voltage	D.C. 18 V	
Net weight	2.5 - 2.9 kg	2.7 - 3.0 kg

- Due to our continuing program of research and development, the specifications herein are subject to change without notice.
- Specifications may differ from country to country.
- The weight may differ depending on the attachment(s), including the battery cartridge. The lightest and heaviest combination, according to EPTA-Procedure 01/2014, are shown in the table.

Applicable battery cartridge and charger

Battery cartridge	BL1815N / BL1820B / BL1830B / BL1840B / BL1850B / BL1860B
Charger	DC18RC / DC18RD / DC18RE / DC18SD / DC18SE / DC18SF / DC18SH / DC18WC

- Some of the battery cartridges and chargers listed above may not be available depending on your region of residence.

⚠ WARNING: Only use the battery cartridges and chargers listed above. Use of any other battery cartridges and chargers may cause injury and/or fire.





Recommended cord connected power source

Portable power pack	PDC01
---------------------	-------

- The cord connected power source(s) listed above may not be available depending on your region of residence.
- Before using the cord connected power source, read instruction and cautionary markings on them.

Symbols

The followings show the symbols which may be used for the equipment. Be sure that you understand their meaning before use.

	Read instruction manual.
	Wear eye protection.
	DANGER - Keep hands away from blade.
	Do not expose to moisture.



Only for EU countries
Due to the presence of hazardous components in the equipment, waste electrical and electronic equipment, accumulators and batteries may have a negative impact on the environment and human health. Do not dispose of electrical and electronic appliances or batteries with household waste!
In accordance with the European Directive on waste electrical and electronic equipment and on accumulators and batteries and waste accumulators and batteries, as well as their adaptation to national law, waste electrical equipment, batteries and accumulators should be stored separately and delivered to a separate collection point for municipal waste, operating in accordance with the regulations on environmental protection.
This is indicated by the symbol of the crossed-out wheeled bin placed on the equipment.



Guaranteed sound power level according to EU Outdoor Noise Directive.



Sound power level according to Australia NSW Noise Control Regulation.

Intended use

The tool is intended for trimming hedges.

Noise

Applicable standard : EN62841-4-2

Model	Sound pressure level		Sound power level	
	L _{pA} (dB(A))	Uncertainty K (dB(A))	L _{WA} (dB(A))	Uncertainty K (dB(A))
DUH506	77	3	88	3
DUH606	79	3	90	3

NOTE: The declared noise emission value(s) has been measured in accordance with a standard test method and may be used for comparing one tool with another.

NOTE: The declared noise emission value(s) may also be used in a preliminary assessment of exposure.

⚠ WARNING: Wear ear protection.

⚠ WARNING: The noise emission during actual use of the power tool can differ from the declared value(s) depending on the ways in which the tool is used especially what kind of workpiece is processed.

⚠ WARNING: Be sure to identify safety measures to protect the operator that are based on an estimation of exposure in the actual conditions of use (taking account of all parts of the operating cycle such as the times when the tool is switched off and when it is running idle in addition to the trigger time).

Vibration

The vibration total value (tri-axial vector sum) determined according to EN62841-4-2:

Model	Front handle		Rear handle	
	ah (m/s ²)	Uncertainty K (m/s ²)	ah (m/s ²)	Uncertainty K (m/s ²)
DUH506	2.5 m/s ² or less	1.5	2.5 m/s ² or less	1.5
DUH606	2.5 m/s ² or less	1.5	2.5 m/s ² or less	1.5

NOTE: The declared vibration total value(s) has been measured in accordance with a standard test method and may be used for comparing one tool with another.

NOTE: The declared vibration total value(s) may also be used in a preliminary assessment of exposure.

⚠ WARNING: The vibration emission during actual use of the power tool can differ from the declared value(s) depending on the ways in which the tool is used especially what kind of workpiece is processed.

⚠ WARNING: Be sure to identify safety measures to protect the operator that are based on an estimation of exposure in the actual conditions of use (taking account of all parts of the operating cycle such as the times when the tool is switched off and when it is running idle in addition to the trigger time).

EC Declaration of Conformity

For European countries only

The EC declaration of conformity is included as Annex A to this instruction manual.

SAFETY WARNINGS

General power tool safety warnings

⚠ WARNING: Read all safety warnings, instructions, illustrations and specifications provided with this power tool. Failure to follow all instructions listed below may result in electric shock, fire and/or serious injury.

Save all warnings and instructions for future reference.

The term "power tool" in the warnings refers to your mains-operated (corded) power tool or battery-operated (cordless) power tool.

Cordless Hedge Trimmer Safety Warnings

1. **Keep all parts of the body away from the blade. Do not remove cut material or hold material to be cut when blades are moving.** Blades continue to move after the switch is turned off. A moment of inattention while operating the hedge trimmer may result in serious personal injury.
2. **Carry the hedge trimmer by the handle with the blade stopped and taking care not to operate any power switch.** Proper carrying of the hedge trimmer will decrease the risk of inadvertent starting and resultant personal injury from the blades.
3. **When transporting or storing the hedge trimmer, always fit the blade cover.** Proper handling of the hedge trimmer will decrease the risk of personal injury from the blades.
4. **When clearing jammed material or servicing the unit, make sure all power switches are off and the battery pack is removed or disconnected.** Unexpected actuation of the hedge trimmer while clearing jammed material or servicing may result in serious personal injury.
5. **Hold the hedge trimmer by insulated gripping surfaces only, because the blade may contact hidden wiring.** Blades contacting a "live" wire may make exposed metal parts of the hedge trimmer "live" and could give the operator an electric shock.
6. **Keep all power cords and cables away from cutting area.** Power cords or cables may be hidden in hedges or bushes and can be accidentally cut by the blade.
7. **Do not use the hedge trimmer in bad weather conditions, especially when there is a risk of lightning.** This decreases the risk of being struck by lightning.
8. **When handing the hedge trimmer to other person, once put the hedge trimmer on the ground and pick up the hedge trimmer after you completely take your hand off.** Passing the hedge trimmer by hand causes holding both the front handle and the rear handle at the same time, and then the hedge trimmer starts unintentionally. Unintentional starting may cause serious injury.

Additional Safety Instructions

Preparation

1. **Check the hedges and bushes for foreign objects, such as wire fences or hidden wiring before operating the tool.**
2. **The tool must not be used by children or young persons under 18 years of age.** Young persons over 16 years of age may be exempted from this restriction if they are undergoing training under the supervision of an expert.
3. **First-time users should have an experienced user show them how to use the tool.**
4. **Use the tool only if you are in good physical condition.** If you are tired, your attention will be reduced. Be especially careful at the end of a working day. Perform all work calmly and carefully. The user is responsible for all damages to third parties.

5. **Never use the tool when under the influence of alcohol, drugs or medication.**
6. **Work gloves of stout leather are part of the basic equipment of the tool and must always be worn when working with it. Also wear sturdy shoes with anti-skid soles.**
7. **Before starting work check to make sure that the tool is in good and safe working order. Ensure guards are fitted properly. The tool must not be used unless fully assembled.**

Operation

1. **Hold the tool firmly with both hands when using the tool.**
2. **The tool is intended to be used by the operator at ground level. Do not use the tool on ladders or any other unstable support.**
3. **DANGER - Keep hands away from blade.** Contact with blade will result in serious personal injury.
4. **Do not use the tool in the rain or in wet or very damp conditions.** The electric motor is not waterproof.
5. **Make sure you have a secure footing before starting operation.**
6. **Do not operate the tool at no-load unnecessarily.**
7. **Immediately switch off the tool and remove the battery cartridge if the shear blades should come into contact with a fence or other hard object. Check the blades for damage, and if damaged, replace the blades immediately.**
8. **Before checking the shear blades, taking care of faults, or removing material caught in the shear blades, always switch off the tool and remove the battery cartridge.**
9. **Never point the shear blades to yourself or others.**
10. **If the blades stop moving due to the stuck of foreign objects between the blades during operation, switch off the tool and remove the battery cartridge, and then remove the foreign objects using tools such as pliers.** Removing the foreign objects by hand may cause an injury for the reason that the blades may move in reaction to removing the foreign objects.

Electrical and battery safety

1. **Avoid dangerous environment. Don't use the tool in dump or wet locations or expose it to rain.** Water entering the tool will increase the risk of electric shock.
2. **Do not dispose of the battery(ies) in a fire.** The cell may explode. Check with local codes for possible special disposal instructions.
3. **Do not open or mutilate the battery(ies).** Released electrolyte is corrosive and may cause damage to the eyes or skin. It may be toxic if swallowed.
4. **Do not charge battery in rain, or in wet locations.**
5. **Do not charge the battery outdoors.**
6. **Do not handle charger, including charger plug, and charger terminals with wet hands.**

Maintenance and storage

1. Switch off the tool and remove the battery cartridge before doing any maintenance work.
2. When moving the tool to another location, including during work, always remove the battery cartridge and put the blade cover on the shear blades. Never carry or transport the tool with the blades running. Never grasp the blades with your hands.
3. Clean the tool and especially the shear blades after use, and before putting the tool into storage for extended periods. Lightly oil the blades and put on the blade cover.
4. Store the tool with the blade cover on, in a dry room. Keep it out of reach of children. Never store the tool outdoors.
5. Do not dispose of the battery(ies) in a fire. The cell may explode. Check with local codes for possible special disposal instructions.
6. Do not open or mutilate the battery(ies). Released electrolyte is corrosive and may cause damage to the eyes or skin. It may be toxic if swallowed.
7. Do not charge battery in rain, or in wet locations.

SAVE THESE INSTRUCTIONS.

⚠WARNING: DO NOT let comfort or familiarity with product (gained from repeated use) replace strict adherence to safety rules for the subject product. MISUSE or failure to follow the safety rules stated in this instruction manual may cause serious personal injury.

Important safety instructions for battery cartridge

1. Before using battery cartridge, read all instructions and cautionary markings on (1) battery charger, (2) battery, and (3) product using battery.
2. Do not disassemble or tamper with the battery cartridge. It may result in a fire, excessive heat, or explosion.
3. If operating time has become excessively shorter, stop operating immediately. It may result in a risk of overheating, possible burns and even an explosion.
4. If electrolyte gets into your eyes, rinse them out with clear water and seek medical attention right away. It may result in loss of your eyesight.
5. Do not short the battery cartridge:
 - (1) Do not touch the terminals with any conductive material.
 - (2) Avoid storing battery cartridge in a container with other metal objects such as nails, coins, etc.
 - (3) Do not expose battery cartridge to water or rain.

A battery short can cause a large current flow, overheating, possible burns and even a breakdown.

6. Do not store and use the tool and battery cartridge in locations where the temperature may reach or exceed 50 °C (122 °F).
7. Do not incinerate the battery cartridge even if it is severely damaged or is completely worn out. The battery cartridge can explode in a fire.
8. Do not nail, cut, crush, throw, drop the battery cartridge, or hit against a hard object to the battery cartridge. Such conduct may result in a fire, excessive heat, or explosion.
9. Do not use a damaged battery.
10. The contained lithium-ion batteries are subject to the Dangerous Goods Legislation requirements.

For commercial transports e.g. by third parties, forwarding agents, special requirement on packaging and labeling must be observed. For preparation of the item being shipped, consulting an expert for hazardous material is required. Please also observe possibly more detailed national regulations.

Tape or mask off open contacts and pack up the battery in such a manner that it cannot move around in the packaging.
11. When disposing of the battery cartridge, remove it from the tool and dispose of it in a safe place. Follow your local regulations relating to disposal of battery.
12. Use the batteries only with the products specified by Makita. Installing the batteries to non-compliant products may result in a fire, excessive heat, explosion, or leak of electrolyte.
13. If the tool is not used for a long period of time, the battery must be removed from the tool.
14. During and after use, the battery cartridge may take on heat which can cause burns or low temperature burns. Pay attention to the handling of hot battery cartridges.
15. Do not touch the terminal of the tool immediately after use as it may get hot enough to cause burns.
16. Do not allow chips, dust, or soil stuck into the terminals, holes, and grooves of the battery cartridge. It may cause heating, catching fire, burst and malfunction of the tool or battery cartridge, resulting in burns or personal injury.
17. Unless the tool supports the use near high-voltage electrical power lines, do not use the battery cartridge near high-voltage electrical power lines. It may result in a malfunction or breakdown of the tool or battery cartridge.
18. Keep the battery away from children.

SAVE THESE INSTRUCTIONS.

⚠CAUTION: Only use genuine Makita batteries. Use of non-genuine Makita batteries, or batteries that have been altered, may result in the battery bursting causing fires, personal injury and damage. It will also void the Makita warranty for the Makita tool and charger.

Tips for maintaining maximum battery life

1. Charge the battery cartridge before completely discharged. Always stop tool operation and charge the battery cartridge when you notice less tool power.
2. Never recharge a fully charged battery cartridge. Overcharging shortens the battery service life.
3. Charge the battery cartridge with room temperature at 10 °C - 40 °C (50 °F - 104 °F). Let a hot battery cartridge cool down before charging it.
4. When not using the battery cartridge, remove it from the tool or the charger.
5. Charge the battery cartridge if you do not use it for a long period (more than six months).

FUNCTIONAL DESCRIPTION

CAUTION: Always be sure that the tool is switched off and the battery cartridge is removed before adjusting or checking function on the tool.

Installing or removing battery cartridge

CAUTION: Always switch off the tool before installing or removing of the battery cartridge.

CAUTION: Hold the tool and the battery cartridge firmly when installing or removing battery cartridge. Failure to hold the tool and the battery cartridge firmly may cause them to slip off your hands and result in damage to the tool and battery cartridge and a personal injury.

► Fig.1: 1. Red indicator 2. Button 3. Battery cartridge

To remove the battery cartridge, slide it from the tool while sliding the button on the front of the cartridge.

To install the battery cartridge, align the tongue on the battery cartridge with the groove in the housing and slip it into place. Insert it all the way until it locks in place with a little click. If you can see the red indicator as shown in the figure, it is not locked completely.

CAUTION: Always install the battery cartridge fully until the red indicator cannot be seen. If not, it may accidentally fall out of the tool, causing injury to you or someone around you.

CAUTION: Do not install the battery cartridge forcibly. If the cartridge does not slide in easily, it is not being inserted correctly.

Indicating the remaining battery capacity

Only for battery cartridges with the indicator

► Fig.2: 1. Indicator lamps 2. Check button

Press the check button on the battery cartridge to indicate the remaining battery capacity. The indicator lamps light up for a few seconds.

Indicator lamps			Remaining capacity
Lighted	Off	Blinking	
■ ■ ■ ■			75% to 100%
■ ■ ■ □			50% to 75%
■ ■ □ □			25% to 50%
■ □ □ □			0% to 25%
▣ □ □ □			Charge the battery.
■ ■ □ □			The battery may have malfunctioned.
□ □ ■ ■			

NOTE: Depending on the conditions of use and the ambient temperature, the indication may differ slightly from the actual capacity.

NOTE: The first (far left) indicator lamp will blink when the battery protection system works.

Tool / battery protection system

NOTICE: Depending on the usage conditions, the tool automatically stops without any indication if the branches or debris are entangled in the tool. In this case, switch off the tool and remove the battery cartridge, and then remove entangled branches or debris using tools such as pliers. After removing the branches or debris, install the battery cartridge and turn on the tool again.

The tool is equipped with a tool/battery protection system. This system automatically cuts off power to the motor to extend tool and battery life. The tool will automatically stop during operation if the tool or battery is placed under one of the following conditions:

Overload protection

When the tool or battery is operated in a manner that causes it to draw an abnormally high current, the tool automatically stops. In this situation, turn the tool off and stop the application that caused the tool to become overloaded. Then turn the tool on to restart.

Overheat protection

When the tool or battery is overheated, the tool stops automatically. In this case, let the tool and battery cool before turning the tool on again.

Overdischarge protection

When the battery capacity is not enough, the tool stops automatically. In this case, remove the battery from the tool and charge the battery.

Protections against other causes

Protection system is also designed for other causes that could damage the tool and allows the tool to stop automatically. Take all the following steps to clear the causes, when the tool has been brought to a temporary halt or stop in operation.

1. Turn the tool off, and then turn it on again to restart.
2. Charge the battery(ies) or replace it/them with recharged battery(ies).
3. Let the machine and battery(ies) cool down.

If no improvement can be found by restoring protection system, then contact your local Makita Service Center.

NOTICE: If the tool stops due to a cause not described above, refer to the section for troubleshooting.

Switch action

⚠ WARNING: For your safety, this tool is equipped with switch lever which prevents the tool from unintended starting. NEVER use the tool if it runs when you simply pull the switch trigger without pressing the switch lever. Return the tool to our authorized service center for proper repairs BEFORE further usage.

⚠ WARNING: NEVER tape down or defeat purpose and function of switch lever.

⚠ WARNING: Before installing the battery cartridge on the tool, always check to see that the switch trigger and switch lever actuate properly and return to the "OFF" position when released. Operating a tool with a switch that does not actuate properly can lead to loss of control and serious personal injury.

⚠ CAUTION: Never put your finger on the switch when carrying. The tool may start unintentionally and cause injury.

To start the tool, hold the front handle while pressing the switch lever and pull the switch trigger. To stop the tool, release either the switch trigger or the switch lever.

► Fig.3: 1. Front handle 2. Switch lever 3. Switch trigger

Indication lamp

► Fig.4: 1. Indication lamp

The indication lamp blinks or lights up when the battery becomes low or the tool is overloaded. Refer to the following table for the status and action to be taken.

Indication lamp	Status	Action to be taken
The lamp blinks in red.	The remaining battery is low.	Recharge the battery, or replace the battery with a charged one.
The lamp lights up in red.	The remaining battery is empty.	Recharge the battery, or replace the battery with a charged one.
	The tool has stopped due to overload.	Turn off the tool, and remove the cause of overload.
	The tool has stopped due to overheat.	Turn off the tool, and cool down the tool and battery.

NOTE: The time at which the indication lamp blinks or lights up varies by the temperature around the work area and the battery cartridge conditions.

Electronic function

The tool is equipped with the electronic functions for easy operation.

- Constant speed control
The speed control function provides the constant rotation speed regardless of load conditions.
- Electric brake
This tool is equipped with an electric brake. If the tool consistently fails to quickly stop the shear blades after releasing the switch trigger, have the tool serviced at Makita Authorized Service Center.
- Accidental re-start preventive function
Even if you install the battery cartridge while pulling the switch trigger, the tool does not start. To start the tool, first release the switch trigger, and then pull the switch trigger.

ASSEMBLY

⚠ CAUTION: Always be sure that the tool is switched off and the battery cartridge is removed before carrying out any work on the tool.

⚠ CAUTION: When replacing the shear blades, always wear gloves so that your hands do not directly contact the blades.

NOTICE: When replacing the shear blades, do not wipe off grease from the gear and crank.

Installing or removing the shear blades

CAUTION: Attach the blade cover before removing or installing the shear blades.

You can install 500 mm or 600 mm shear blades to your tool.

1. Attach the blade cover to the shear blades.
▶ **Fig.5:** 1. Blade cover

2. Place the tool upside down, then remove 6 bolts, and then remove the cover and the plate.
▶ **Fig.6:** 1. Bolt 2. Cover 3. Plate

NOTE: The plate may remain on the cover.

3. Turn the crank with the slotted screwdriver so that 2 holes are perpendicular to the shear blades.
▶ **Fig.7:** 1. Crank 2. Hole

4. Remove 2 bolts, the felt pad and the sleeves, and then remove the shear blades.
▶ **Fig.8:** 1. Felt pad 2. Bolt 3. Sleeve 4. Shear blades

5. Remove the blade cover, and then attach it to the new shear blades.
▶ **Fig.9:** 1. Blade cover

6. Align the rear edges of the shear blades as shown in the figure.
▶ **Fig.10:** 1. Rear edge

7. Slide the shear blades slightly as shown in the figure, and then attach the sleeves to the shear blades.
▶ **Fig.11:** 1. Sleeve

8. Slide the blade cover slightly toward the tip of the shear blades, and then attach the shear blades to the tool.
▶ **Fig.12:** 1. Shear blades

NOTICE: Apply a small amount of grease to the inner periphery of the hole of the shear blades.

NOTICE: Be careful not to lose the sleeves.

9. Slide the shear blades and sleeves so that the holes on the sleeves are aligned with the holes on the tool.
▶ **Fig.13:** 1. Hole on tool 2. Hole on sleeve

10. Tighten the bolts to fix the shear blades.
▶ **Fig.14:** 1. Bolt

11. Attach the felt pad to the shear blades.
▶ **Fig.15:** 1. Felt pad

12. Attach the plate.
▶ **Fig.16:** 1. Plate

13. Attach the cover, and then tighten 6 bolts.
▶ **Fig.17:** 1. Bolt 2. Cover

NOTICE: If the shear blades do not move smoothly, the shear blades are not engaged with the crank properly. Install the shear blades again.

NOTICE: If the parts other than the shear blades such as the crank is worn out, ask Makita Authorized Service Centers for parts replacement or repairs.

Installing or removing the chip receiver

Optional accessory

CAUTION: When installing or removing the chip receiver, always wear gloves so that your hands do not directly contact the shear blades.

NOTICE: The blade cover cannot be installed if the chip receiver is installed on the tool. Before carrying or storing the tool, uninstall the chip receiver, and then install the blade cover to avoid blade exposure.

NOTICE: Be sure to remove the blade cover before installing the chip receiver.

The chip receiver gathers discarded leaves and makes clean-up afterward much easier. It can be installed on either side of the tool.

1. Align the holes on the chip receiver with the screws on the shear blades.

▶ **Fig.18:** 1. Screw

2. Hook the claws of the chip receiver to the groove on the shear blades.

▶ **Fig.19:** 1. Claw 2. Groove

3. Press the levers on the chip receiver, and then hook the claws on the other side to the groove on the shear blades.

▶ **Fig.20:** 1. Lever

To remove the chip receiver, press the levers to release the claws.

▶ **Fig.21:** 1. Lever

NOTICE: Never try to remove the chip receiver by an excessive force with its hooks locked to the shear blades.

OPERATION

WARNING: Keep hands away from shear blades.

CAUTION: Avoid operating the tool in very hot weather as much as practicable. When operating the tool, be careful of your physical condition.

CAUTION: Be careful not to accidentally contact a metal fence or other hard objects while trimming. The shear blades may break and cause an injury.

CAUTION: Be careful not to allow the shear blades to contact the ground. The tool may recoil and cause an injury.

CAUTION: Overreaching with a hedge trimmer, particularly from a ladder, is extremely dangerous. Do not work while standing on anything wobbly or infirm.

NOTICE: Do not attempt to cut branches thicker than 10 mm in diameter with the tool. Cut branches to 10 cm lower than the cutting height using branch cutters before using the tool.

► **Fig.22:** (1) Cutting height (2) 10 cm

NOTICE: Do not cut down dead trees or similar hard objects. Doing so may damage the tool.

NOTICE: Do not trim the grass or weeds while using the shear blades. The shear blades may become tangled in the grass or weeds.

Hold the tool with both hands, hold the front handle while pressing the switch lever and pull the switch trigger, and then move the tool forward.

► **Fig.23**

For basic operation, tilt the shear blades toward the trimming direction and move it calmly and slowly at the speed rate of 3 to 4 seconds per meter.

► **Fig.24**

To cut a hedge top evenly, tie a string at the desired height and trim along it.

► **Fig.25**

If the chip receiver is attached to the shear blades, it gathers discarded leaves and makes clean-up afterward much easier.

► **Fig.26**

To cut a hedge side evenly, cut from the bottom to top.

► **Fig.27**

When trimming to make a round shape (trimming box-wood or rhododendron, etc.), trim from the root to the top for a beautiful finish.

► **Fig.28**

MAINTENANCE

CAUTION: Always be sure that the tool is switched off and the battery cartridge is removed before attempting to perform inspection or maintenance.

To maintain product SAFETY and RELIABILITY, repairs, any other maintenance or adjustment should be performed by Makita Authorized or Factory Service Centers, always using Makita replacement parts.

Cleaning the tool

Clean the tool by wiping off dust with a dry cloth or one dipped in soapy water and wrung out.

NOTICE: Never use gasoline, benzine, thinner, alcohol or the like. Discoloration, deformation or cracks may result.

Shear blade maintenance

Before the operation or once per hour during operation, apply low-viscosity oil (machine oil, or spray-type lubricating oil) to the shear blades.

► **Fig.29**

After operation, remove dust from both sides of the shear blades with a wired brush, wipe it off with a cloth and then apply low-viscosity oil (machine oil, or spray-type lubricating oil) to the shear blades.

► **Fig.30**

NOTICE: Do not wash the shear blades in water. Doing so may cause rust or damage to the tool.

NOTICE: Dirt and corrosion cause excessive blade friction and shorten the operating time per battery charge.

Storage

The hook hole in the tool bottom is convenient for hanging the tool from a nail or screw on the wall.

Attach the blade cover to the shear blades so that the blades are not exposed. Store the tool out of the reach of children. Store the tool in a place not exposed to moisture or rain.

► **Fig.31:** 1. Hole

Grinding the shear blades

NOTICE: If the shear blades have considerably deformed by grinding, replace the shear blades with new ones.

1. Install the battery cartridge to the tool.
2. Turn on and start the tool so that the upper blade and lower blade are positioned alternately.
► **Fig.32**
3. Turn off the tool and remove the battery cartridge from the tool.
4. Set the angle of a file to 35°, and grind the upper blade from 2 directions with the file.
► **Fig.33:** (1) File (2) 35°

CAUTION: Before grinding the shear blades, make sure that the tool is switched off and the battery cartridge is removed from the tool.

5. Place the tool upside down, and then remove the burrs from the shear blades with the dressing stone.
► **Fig.34:** 1. Dressing stone
6. Set the angle of the file to 35°, and grind the lower blade from 2 directions with the file.
7. Return the tool to normal position, and then remove the burrs from the shear blades with the dressing stone.

Grease lubrication

Interval of lubrication: Every 50 operating hours

1. Remove the bolt from the hole for lubrication.
► **Fig.35:** 1. Bolt
2. Remove the cap from the grease vessel. Align the outlet of the grease vessel with the hole on the cover, and then turn the grease vessel to attach the outlet of the grease vessel into the hole.
► **Fig.36:** 1. Grease vessel 2. Hole
3. Apply the grease to the tool (Approximately 3 g as a guide).
4. Remove the grease vessel.
5. Tighten the bolt.

TROUBLESHOOTING

Before asking for repairs, conduct your own inspection first. If you find a problem that is not explained in the manual, do not attempt to dismantle the tool. Instead, ask Makita Authorized Service Centers, always using Makita replacement parts for repairs.

State of abnormality	Probable cause (malfunction)	Remedy
Motor does not run.	Battery cartridge is not installed.	Install the battery cartridge.
	Battery problem (under voltage)	Recharge the battery. If recharging is not effective, replace battery.
	The drive system does not work correctly.	Ask your local authorized service center for repair.
Motor stops running after a little use.	Battery's charge level is low.	Recharge the battery. If recharging is not effective, replace battery.
	Overheating.	Stop using of tool to allow it to cool down.
Tool does not reach maximum RPM.	Battery is installed improperly.	Install the battery cartridge as described in this manual.
	Battery power is dropping.	Recharge the battery. If recharging is not effective, replace battery.
	The drive system does not work correctly.	Ask your local authorized service center for repair.
Shear blades do not move: ⇒ stop the machine immediately!	Foreign objects are caught between the shear blades.	Switch off the tool and remove the battery cartridge, and then remove the foreign objects using tools such as pliers.
	The drive system does not work correctly.	Ask your local authorized service center for repair.
Abnormal vibration: ⇒ stop the machine immediately!	Shear blades are broken, bent or worn.	Replace the shear blades.
	The drive system does not work correctly.	Ask your local authorized service center for repair.
Shear blades and motor cannot stop: ⇒ Remove the battery immediately!	Electric malfunction.	Remove the battery and ask your local authorized service center for repair.

OPTIONAL ACCESSORIES

⚠ CAUTION: These accessories or attachments are recommended for use with your Makita tool specified in this manual. The use of any other accessories or attachments might present a risk of injury to persons. Only use accessory or attachment for its stated purpose.

If you need any assistance for more details regarding these accessories, ask your local Makita Service Center.

- Shear blade assembly
- Shear blade cover
- Chip receiver
- Grease vessel
- Makita genuine battery and charger

NOTE: Some items in the list may be included in the tool package as standard accessories. They may differ from country to country.

SPECIFIKATIONER

Modell:	DUH506	DUH606
Bladets längd	500 mm	600 mm
Slag per minut	4 000 min ⁻¹	
Total längd (utan batteri)	846 mm	965 mm
Märkspänning	18 V likström	
Nettovikt	2,5 - 2,9 kg	2,7 - 3,0 kg

- På grund av vårt pågående program för forskning och utveckling kan dessa specifikationer ändras utan föregående meddelande.
- Specifikationerna kan variera mellan olika länder.
- Vikten kan variera beroende på tillbehören, inklusive batterikassett. Den lättaste och den tyngsta kombinationen enligt EPTA-procedur 01/2014 visas i tabellen.

Tillgänglig batterikassett och laddare

Batterikassett	BL1815N / BL1820B / BL1830B / BL1840B / BL1850B / BL1860B
Laddare	DC18RC / DC18RD / DC18RE / DC18SD / DC18SE / DC18SF / DC18SH / DC18WC

- Vissa av batterikassetterna och laddarna på listan ovan kanske inte finns tillgängliga i din region.

⚠ VARNING: Använd endast batterikassetter och laddare från listan ovan. Användning av andra batterikassetter och laddare kan orsaka personskada och/eller brand.





Rekommenderad sladdansluten strömkälla

Bärbart strömpaket	PDC01
--------------------	-------

- De(n) sladdanslutna strömkällan/strömkällorna på listan ovan kanske inte finns tillgängliga i din region.
- Innan du använder den sladdanslutna strömkällan ska du läsa instruktionen och varningsmärkena på den.

Symboler

Följande visar symbolerna som kan användas för utrustningen. Se till att du förstår innebörden innan användning.

	Läs igenom bruksanvisningen.
	Använd ögonskydd.
	FARA – Håll händerna borta från bladet.
	Utsätt inte verktyget för fukt.



Gäller endast inom EU
P.g.a. förekomsten av farliga komponenter i utrustningen kan avfall innehållande elektrisk och elektronisk utrustning, ackumulatörer och batterier ha negativ inverkan på miljön och människors hälsa. Kasserade inte elektriska och elektroniska apparater eller batterier ihop med hushållsavfall!

I enlighet med EU-direktiven om avfall som utgörs av eller innehåller elektrisk och elektronisk utrustning och om batterier och ackumulatörer och förbrukade batterier och ackumulatörer, och dess införlivande i nationell lagstiftning, bör förbrukad elektrisk och elektronisk utrustning, batterier och ackumulatörer förvaras separat och transporteras till en särskild uppsamlingsplats för kommunalt avfall, som drivs i enlighet med regelverket för miljöskydd. Detta anges av symbolen med den överkryssade soptunnan på hjul som sitter på utrustningen.



Garanterad ljudeffektnivå enligt EU-direktivet för utomhusbuller.



Ljudeffektnivå enligt Australia NSW Noise Control Regulation (Bullerreglering)

Avsedd användning

Maskinen är avsedd för att trimma häckar.

Buller

Tillämplig standard : EN62841-4-2

Modell	Ljudtrycksnivå		Ljudeffektnivå	
	L _{pA} (dB (A))	Osäkerhets-K (dB (A))	L _{WA} (dB (A))	Osäkerhets-K (dB (A))
DUH506	77	3	88	3
DUH606	79	3	90	3

OBS: Det deklarerade bullervärdet har uppmätts i enlighet med standardtestmetoden och kan användas för jämförandet av en maskin med en annan.

OBS: Det deklarerade bulleremissionsvärdet kan också användas i en preliminär bedömning av exponering för vibration.

⚠ VARNING: Använd hörselskydd.

⚠ VARNING: Bulleremissionen under faktisk användning av maskinen kan skilja sig från det deklarerade värdet, beroende på hur maskinen används och särskilt vilken typ av arbetsstycke som behandlas.

⚠ VARNING: Var noga med att identifiera säkerhetsåtgärder för att skydda användaren, vilka är grundade på en uppskattning av graden av exponering för vibrationer under de faktiska användningsförhållandena, (ta, förutom avtryckartiden, med alla delar av användarcykeln i beräkningen, som till exempel tiden då maskinen är avstängd och när den går på tomgång).

Vibration

Det totala vibrationsvärdet (treaxlad vektorsumma) bestämt enligt EN62841-4-2:

Modell	Främre handtag		Bakre handtag	
	ah (m/s ²)	Måttolerans K (m/s ²)	ah (m/s ²)	Måttolerans K (m/s ²)
DUH506	2,5 m/s ² eller lägre	1,5	2,5 m/s ² eller lägre	1,5
DUH606	2,5 m/s ² eller lägre	1,5	2,5 m/s ² eller lägre	1,5

OBS: Det deklarerade totala vibrationsvärdet har uppmätts i enlighet med standardtestmetoden och kan användas för jämförandet av en maskin med en annan.

OBS: Det deklarerade totala vibrationsvärdet kan också användas i en preliminär bedömning av exponering för vibration.

⚠ VARNING: Vibrationsemissionen under faktisk användning av maskinen kan skilja sig från det deklarerade värdet, beroende på hur maskinen används och särskilt vilken typ av arbetsstycke som behandlas.

⚠ VARNING: Var noga med att identifiera säkerhetsåtgärder för att skydda användaren, vilka är grundade på en uppskattning av graden av exponering för vibrationer under de faktiska användningsförhållandena, (ta, förutom avtryckartiden, med alla delar av användarcykeln i beräkningen, som till exempel tiden då maskinen är avstängd och när den går på tomgång).

EG-försäkran om överensstämmelse

Gäller endast inom EU

EG-försäkran om överensstämmelse inkluderas som bilaga A till denna bruksanvisning.

SÄKERHETSVARNINGAR

Allmänna säkerhetsvarningar för maskiner

⚠ VARNING: Läs alla säkerhetsvarningar, anvisningar, illustrationer och specifikationer som medföljer det här maskinen. Underlåtenhet att följa instruktionerna kan leda till elstöt, brand och/eller allvarliga personskador.

Spara alla varningar och instruktioner för framtida referens.

Termen "maskin" som anges i varningarna hänvisar till din eldrivna maskin (sladdansluten) eller batteridrivna maskin (sladdlös).

Säkerhetsvarningar för batteridrivna häcksax

- Håll alla kroppsdelar borta från skärbladet. Ta inte bort avklippt material eller håll inte i materialet som ska klippas av när bladen är i rörelse.** Bladen fortsätter röra sig efter att strömbrytaren stängts av. Ett ögonblick av ouppmärksamhet när häcksaxen är igång kan resultera i allvarlig personskada.
- Bär häcksaxen i handtaget med bladet stoppat och var noga med att inte aktivera någon strömbrytare.** Om du bär häcksaxen på rätt sätt minskar risken för oavsiktlig start och därav följande personskada från bladen.
- När häcksaxen transporteras eller förvaras ska alltid bladskyddet sitta på.** Korrekt hantering av häcksaxen minskar risken för personskador från bladen.
- Se till när du tar bort material som fastnat eller serrar enheten att alla strömbrytare är avstängda och batteripaketet borttaget eller frånkopplat.** Om häcksaxen råkar aktiveras oönskat medan man tar bort material som fastnat eller serrar den, kan det leda till allvarlig personskada.
- Håll häcksaxen endast i de isolerade greppytorna, eftersom bladet kan komma i kontakt med dolda kablar.** Om bladet kommer i kontakt med en strömförande ledning blir häcksaxens metalldelar strömförande och kan ge operatören en elektrisk stöt.
- Håll alla strömsladdar och kablar borta från klippområdet.** Sladdar eller kablar kan hamna dolda i häckar eller buskar och oavsiktligt bli avklippta av skärbladet.
- Använd inte häcksaxen vid dåliga väderförhållanden, särskilt inte vid risk för åska.** Risken finns att bli träffad av blixten.
- När du lämnar över häcksaxen till en annan person, ställ häcksaxen på marken och lyft upp häcksaxen efter det att du helt tagit bort handen.** Om häcksaxen lämnas över direkt mellan händerna kommer någon att hålla i både det främre handtaget och det bakre handtaget samtidigt, vilket gör att häcksaxen oavsiktligt startas. Oavsiktlig start kan orsaka allvarliga skador.

Ytterligare säkerhetsinstruktioner

Förberedelse

- Kontrollera häckarna och buskarna avseende främmande föremål, som staket eller dolda kablar innan du använder maskinen.**
- Verktyget får inte användas av barn eller ungdomar under 18 år.** Undantag kan göras för ungdomar över 16 år som har fått utbildning och träning av en kunnig person.
- Förstagångsanvändare bör låta en erfaren användare visa hur verktyget ska användas.**

- Använd endast verktyget när du är i god fysisk kondition.** Om du är trött blir du ouppmärksam. Var speciellt försiktig vid arbetsdagens slut. Utför allt arbete noggrant och i lugnt tempo. Användaren är ansvarig för all skada på tredje person.
- Använd aldrig verktyget om du är påverkad av alkohol, droger eller läkemedel.**
- Arbetshandskar av kraftigt läder är en del av grundutrustningen för verktyget och måste alltid bäras när det används. Använd också kraftiga skor med halksäkra sulor.**
- Kontrollera innan arbetet inleds att verktyget är i gott och säkert skick. Säkerställ att skydden sitter fast ordentligt. Verktyget får inte användas om det inte är fullständigt monterat.**

Användning

- Håll ett stadigt tag i verktyget när du arbetar.**
- Verktyget är avsett att användas av operatören på marknivå. Använd inte verktyget på stegar eller något annat instabilt underlag.**
- FARA - Håll händerna borta från klingan.** Kontakt med klingan kommer att leda till allvarlig personskada.
- Använd inte verktyget i regn eller under våta eller fuktiga förhållanden.** Den elektriska motorn är inte vattentät.
- Se till att du står stadigt innan du börjar använda maskinen.**
- Använd inte maskinen obelastad i onödan.**
- Stäng genast av verktyget och ta bort batterikassetten om skärbladen skulle komma i kontakt med ett stängsel eller annat hårt objekt. Kontrollera om bladen är skadade och byt ut bladen omedelbart om så är fallet.**
- Stäng alltid av verktyget och ta bort batterikassetten innan skärbladen kontrolleras, innan material tas bort som har fastnat i skärbladen eller om något fel ska åtgärdas.**
- Rikta aldrig skärbladen mot dig själv eller någon annan.**
- Om klingorna slutar att röra sig på grund av ett främmande föremål fastnar mellan klingorna under arbetet, stänger du av verktyget och tar bort batterikassetten. Ta sedan bort de främmande föremålen med hjälp av ett verktyg, såsom en tång. Att ta bort de främmande föremålen för hand kan orsaka skador på grund av att klingorna kan röra sig som en reaktion på att de främmande föremålen tas bort.**

El- och batterisäkerhet

- Undvik farliga miljöer. Använd inte verktyget på fuktiga eller blöta områden, eller utsätt den för regn.** Vatten som kommer in i verktyget ökar risken för elektrisk stöt.
- Släng inte batteriet/batterierna i öppen eld.** Cellen kan explodera. Kontrollera de lokala reglerna för att se eventuell särskild avfallshantering.
- Öppna inte eller förstör batteriet/batterierna.** Elektrolyt som kommer ut är frätande och kan ge ögon- eller hudskador. Det kan vara giftigt vid förtäring.
- Ladda inte batteriet i regn eller i fuktiga eller våta utrymmen.**
- Ladda inte batteriet utomhus.**

6. Hantera inte laddaren, däribland laddarstickproppen, och laddarens kopplingar med våta händer.

Underhåll och förvaring

1. Stäng av verktyget och ta bort batterikassetten innan du utför något underhållsarbete.
2. När verktyget ska flyttas till en annan plats, även under pågående arbete, ska batterikassetten alltid tas bort och bladskyddet fästas på skärbladen. Bär aldrig och transportera aldrig verktyget medan bladen rör sig. Ta aldrig i bladen med händerna.
3. Rengör verktyget och speciellt skärbladen efter användning och innan verktyget tas i förvar för en längre period. Smörj bladen lätt med olja och trä på bladskyddet.
4. Förvara verktyget med bladskyddet på och i ett torrt utrymme. Håll det borta från barn. Förvara aldrig verktyget utomhus.
5. Släng inte batteriet/batterier in i öppen eld. Cellen kan i annat fall explodera. Kontrollera om några speciella lokala föreskrifter föreligger avseende avfallshandtering.
6. Öppna inte eller skada/deformera/punktera batteriet/batterierna. Elektrolyten som kommer ut är frätande och kan ge ögon- eller hudskador. Den kan vara giftig vid intag.
7. Ladda inte batteriet i regn eller i fuktiga eller våta utrymmen.

SPARA DESSA ANVISNINGAR.

⚠ VARNING: GLÖM INTE att också fortsättningsvis strikt följa säkerhetsanvisningarna för maskinen även efter att du blivit van att använda den. Vid FELAKTIG HANTERING av maskinen eller om inte säkerhetsanvisningarna i denna bruksanvisning följs kan följden bli allvarliga personskador.

Viktiga säkerhetsanvisningar för batterikassetten

1. Innan batterikassetten används ska alla instruktioner och varningsmärken på (1) batteriladdaren, (2) batteriet och (3) produkten läsas.
2. Montera inte isär eller mixtra med batterikassetten. Det kan leda till brand, överdriven värme eller explosion.
3. Om drifttiden blivit avsevärt kortare ska användningen avbrytas omedelbart. Det kan uppstå överhettning, brännskador och t o m en explosion.
4. Om du får elektrolyt i ögonen ska de sköljas med rent vatten och läkare uppsöks omedelbart. Det finns risk för att synen förloras.
5. Kortslut inte batterikassetten.
 - (1) Rör inte vid polerna med något strömförande material.
 - (2) Undvik att förvara batterikassetten tillsammans med andra metallobjekt som t.ex. spikar, mynt o.s.v.
 - (3) Skydda batteriet mot vatten och regn.

En batterikortslutning kan orsaka ett stort strömflöde, överhettning, brand och maskinhaveri.

6. Förvara och använd inte verktyget och batterikassetten på platser där temperaturen kan nå eller överstiga 50 °C.
7. Bränn inte upp batterikassetten även om den är svårt skadad eller helt utsliten. Batterikassetten kan explodera i öppen eld.
8. Spika inte i, krossa, kasta, tappa eller slå batterikassetten mot hårda föremål. Dyliga handlingar kan leda till brand, överdriven värme eller explosion.
9. Använd inte ett skadat batteri.
10. De medföljande litiumjonbatterierna är föremål för kraven i gällande lagstiftning för farligt gods. För kommersiella transporter (av t.ex. tredje parter som speditiönsfirmor) måste de särskilda transportkrav som anges på emballaget och etiketter iakttas. För att förbereda den produkt som ska avsändas krävs att du konsulterar en expert på riskmaterial. Var också uppmärksam på att det i ditt land kan finnas ytterligare föreskrifter att följa. Tejpa över eller maskera blottade kontakter och packa batteriet på sådant sätt att det inte kan röra sig fritt i förpackningen.
11. När batterikassetten ska kasseras måste den tas bort från maskinen och kasseras på ett säkert sätt. Följ lokala föreskrifter beträffande avfallshandtering av batteriet.
12. Använd endast batterierna med de produkter som specificerats av Makita. Att använda batterierna med ej godkända produkter kan leda till brand, överdriven värme, explosion eller utläckande elektrolyt.
13. Om maskinen inte används under en lång tid måste batteriet tas bort från maskinen.
14. Under och efter användning kan batterikassetten bli het vilket kan orsaka brännskador eller lättare brännskador. Var uppmärksam på hur du hanterar varma batterikassetter.
15. Vidrör inte verktygets kontakter direkt efter användning eftersom de kan bli heta och orsaka brännskador.
16. Låt inte flisor, damm eller smuts fastna i kontaktarna, i hål eller spår i batterikassetten. Det kan leda till att verktyget eller batterikassetten värms upp, fattar eld, går sönder eller inte fungerar som de ska, vilket kan orsaka brännskador eller personskador.
17. Såvida inte verktyget stöder arbeten i närheten av högspänningsledning för batterikassetten inte användas i närheten av en högspänningsledning. Det kan leda till att verktyget eller batterikassetten går sönder eller inte fungerar korrekt.
18. Förvara batteriet utom räckhåll för barn.

SPARA DESSA ANVISNINGAR.

⚠ FÖRSIKTIGT: Använda endast äkta Makita-batterier. Användning av oäkta Makita-batterier eller batterier som har manipulerats kan leda till person- och utrustningsskador eller till att batteriet fattar eld. Det upphäver också Makitas garanti för verktyget och laddaren.

Tips för att uppnå batteriets maximala livslängd

1. Ladda batterikassetten innan den är helt urladdad. Stanna alltid maskinen och ladda batterikassetten när du märker att maskinen blir svagare.
2. Ladda aldrig en fulladdad batterikasset. Överladdning förkortar batteriets livslängd.
3. Ladda batterikassetten vid en rumstemperatur på 10 °C - 40 °C. Låt en varm batterikasset svalna innan den laddas.
4. När batterikassetten inte används ska den tas bort från verktyget eller laddaren.
5. Ladda batterikassetten om du inte har använt den på länge (mer än sex månader).

FUNKTIONSBESKRIVNING

⚠ FÖRSIKTIGT: Se alltid till att maskinen är avstängd och batterikassetten borttagen innan du justerar maskinen eller kontrollerar dess funktioner.

Montera eller demontera batterikassetten

⚠ FÖRSIKTIGT: Stäng alltid av maskinen innan du monterar eller tar bort batterikassetten.

⚠ FÖRSIKTIGT: Håll stadigt i maskinen och batterikassetten när du monterar eller tar bort batterikassetten. I annat fall kan det leda till att de glider ur dina händer och orsakar skada på maskinen och batterikassetten samt personskada.

► **Fig.1:** 1. Röd indikator 2. Knap 3. Batterikasset

Ta bort batterikassetten genom att skjuta ner knappen på kassetens framsida samtidigt som du drar ut batterikassetten.

Sätt in batterikassetten genom att rikta in tungan på batterikassetten mot spåret i höljet och skjut den på plats. Tryck in batterikassetten ordentligt tills den låser fast med ett klick. Om du kan se den röda indikatorn som bilden visar är den inte låst ordentligt.

⚠ FÖRSIKTIGT: Sätt alltid in batterikassetten helt tills den röda indikatorn inte längre syns. I annat fall kan den oönskade falla ur verktyget och skada dig eller någon annan.

⚠ FÖRSIKTIGT: Montera inte batterikassetten med våld. Om kassetten inte lätt glider på plats är den felinställd.

Indikerar kvarvarande batterikapacitet

Endast för batterikassetter med indikator

► **Fig.2:** 1. Indikatorlampor 2. Kontrollknapp

Tryck på kontrollknappen på batterikassetten för att se kvarvarande batterikapacitet. Indikatorlamporna lyser i ett par sekunder.

Indikatorlampor			Kvarvarande kapacitet
Upplyst	Av	Blikar	
■ ■ ■ ■			75% till 100%
■ ■ ■ □			50% till 75%
■ ■ □ □			25% till 50%
■ □ □ □			0% till 25%
▣ □ □ □			Ladda batteriet.
■ ■ □ □			Batteriet kan ha skadats.
□ □ ■ ■			

OBS: Beroende på användningsförhållanden och den omgivande temperaturen kan indikationen skilja sig lätt från den faktiska batterikapaciteten.

OBS: Den första (längst till vänster) indikatorlamporna kommer att blinka när batteriskyddssystemet fungerar.

Skyddssystem för maskinen/batteriet

OBSERVERA: Beroende på användningsförhållandena stängs verktyget automatiskt av utan någon angivelse om kvistar eller skräp fastnat i verktyget. Stäng i så fall av verktyget och ta bort batterikassetten, och ta sedan bort kvistar eller skräp som fastnat med verktyg som t.ex. en tång. Efter att kvistarna eller skräpet tagits bort installerar du batterikassetten och sätter på verktyget igen.

Verktyget är utrustat med ett skyddssystem för verktyget/batteriet. Detta system bryter automatiskt strömmen till motorn för att förlänga verktygets och batteriets livslängd. Verktyget stoppar automatiskt under användningen om verktyget eller batteriet hamnar i en av följande situationer:

Överbelastningsskydd

Om verktyget eller batteriet används på ett sätt som gör att det drar onormalt mycket ström kan verktyget stoppa automatiskt. När detta sker stänger du av verktyget och upphör med arbetet som gjorde att det överbelastades. Starta därefter upp verktyget igen.

Överhettningsskydd

När verktyget eller batteriet överhettas stoppas verktyget automatiskt. I sådant fall ska du låta verktyget och batteriet svalna innan verktyget sätts på igen.

Överurladdningsskydd

När batteriets kapacitet är otillräcklig stoppar maskinen automatiskt. I sådant fall ska batteriet tas ur maskinen och laddas.

Skydd mot andra orsaker

Skyddssystemet är också utvecklat för att hantera andra orsaker som skulle kunna skada verktyget och tillåter verktyget att stanna automatiskt. Ta följande steg för att åtgärda felen när verktyget stannat temporärt eller helt.

1. Stäng av verktyget och starta sedan upp den igen för att starta om.
2. Laddning av batteriet/batterierna och ersätt dem med laddade batteri(er).
3. Låt maskinen och batteriet/batterierna svalna.

Om ingen förbättring kan hittas genom att återställa skyddssystemet, kontakta ditt lokala Makita Service Center.

OBSERVERA: Om verktyget stannar av en orsak som inte är angiven ovan, se avsnittet Felsökning.

Avtryckarens funktion

⚠ VARNING: Av säkerhetsskäl är detta verktyg utrustat med ett säkerhetsgrepp som förhindrar oavsiktlig start av verktyget. Använd **ALDRIG** verktyget om det startar när du trycker på avtryckaren utan att ha tryckt in säkerhetsgreppet. Returnera verktyget till ett auktoriserat servicecenter för reparation **INNAN** du fortsätter att använda det.

⚠ VARNING: Sätt **ALDRIG** säkerhetsgreppet ur funktion genom att t.ex. tejpa över det.

⚠ VARNING: Innan du sätter i batterikassetten i maskinen ska du alltid kontrollera att avtryckaren och säkerhetsgreppet fungerar och återgår till läget "OFF" när du släpper dem. Att använda en maskin med ett felaktigt säkerhetsgrepp kan leda till förlorad kontroll och allvarig personskada.

⚠ FÖRSIKTIGT: Håll aldrig fingret på avtryckaren när du bär maskinen. Maskinen kan starta oavsiktligt och orsaka skada.

Starta verktyget genom att hålla i det främre handtaget samtidigt som du trycker in säkerhetsgreppet och tryck sedan in avtryckaren. Stoppa verktyget genom att släppa antingen avtryckaren eller säkerhetsgreppet.

- **Fig.3:** 1. Främre handtag 2. Säkerhetsgrepp
3. Avtryckare

Indikatorlampa

► Fig.4: 1. Indikatorlampa

Indikatorlampan blinkar eller lyser om batterikapaciteten blir låg eller om verktyget överbelastas. Se följande tabell för status och vilken åtgärd som ska vidtagas.

Indikatorlampa	Status	Åtgärder som ska vidtas
Lampan blinkar rött.	Återstående batterikapacitet är låg.	Ladda batteriet eller byt ut det mot ett fulladdat batteri.
Lampan lyser rött.	Batteriet är urladdat.	Ladda batteriet eller byt ut det mot ett fulladdat batteri.
	Verktyget har stannat på grund av överbelastning.	Stäng av verktyget och avlägsna orsaken till överbelastningen.
	Verktyget har stannat på grund av överhettning.	Stäng av verktyget och låt verktyget och batteriet svalna.

OBS: Tidpunkten då indikatorlampan blinkar eller tänds varierar efter temperaturen runt arbetsplatsen samt batterikassetens skick.

Elektronisk funktion

Verktyget är utrustat med elektroniska funktioner för enkel användning.

- Konstant hastighetskontroll
Hastighetskontrollfunktionen ger en konstant rotationshastighet oavsett belastningsförhållanden.
- Elektronisk broms
Detta verktyg är försett med en elektronisk broms. Om verktyget konsekvent misslyckas med att snabbt stoppa skärbladen efter att avtryckaren släppts, ska verktyget servas på Makita- auktoriserat servicecenter.
- Funktion för att förhindra oavsiktlig omstart
Verktyget startar inte även om batterikassetten installeras samtidigt som avtryckaren trycks in. Släpp först avtryckaren och tryck sedan på den igen för att starta verktyget.

MONTERING

⚠ FÖRSIKTIGT: Se alltid till att maskinen är avstängd och batterikassetten borttagen innan du underhåller maskinen.

⚠ FÖRSIKTIGT: Bär alltid handskar så att händerna inte kommer i direktkontakt med skärbladen när du byter dem.

OBSERVERA: Torka inte av smörjfett från växel och vevhus vid byte av skärblad.

Montering eller borttagning av skärbladen

⚠ FÖRSIKTIGT: Sätt på bladskyddet innan skärbladen monteras eller demonteras.

Du kan montera skärblad på 500 mm eller 600 mm på verktyget.

1. Montera bladskyddet på skärbladen.

► **Fig.5:** 1. Bladskydd

2. Placera verktyget upp och ned, ta bort de 6 bultarna och ta sedan bort skyddet och plattan.

► **Fig.6:** 1. Bult 2. Hölje 3. Platta

OBS: Plåten kan sitta kvar på höljet.

3. Vrid vevhuset med en spårskruvmejsel så att de två hålen är vinkelräta mot skärbladen.

► **Fig.7:** 1. Vevhus 2. Hål

4. Ta bort 2 bultar, polerfilten och hylsorna och ta sedan bort skärbladen.

► **Fig.8:** 1. Polerfilt 2. Bult 3. Hylsa 4. Skärblad

5. Ta bort bladskyddet och fäst det sedan till de nya skärbladen.

► **Fig.9:** 1. Bladskydd

6. Passa in de bakre kanterna av skärbladen enligt figuren.

► **Fig.10:** 1. Bakre kant

7. Skjut skärbladen något enligt figuren och fäst sedan hylsorna till skärbladen.

► **Fig.11:** 1. Hylsa

8. Skjut bladskyddet något mot spetsen på skärbladen och fäst sedan skärbladen till verktyget.

► **Fig.12:** 1. Skärblad

OBSERVERA: Lägg på en liten mängd fett runt den inre kanten på hålet på skärbladen.

OBSERVERA: Var noga med att inte tappa bort hylsorna.

9. Skjut skärbladen och hylsorna så att hålen i hylsorna är i linje med hålen på verktyget.

► **Fig.13:** 1. Hål på verktyg 2. Hål på hylsa

10. Dra åt bultarna för att fästa skärbladen.

► **Fig.14:** 1. Bult

11. Fäst polerfilten till skärbladen.

► **Fig.15:** 1. Polerfilt

12. Fäst plattan.

► **Fig.16:** 1. Platta

13. Sätt fast höljet och dra sedan åt 6 bultar.

► **Fig.17:** 1. Bult 2. Hölje

OBSERVERA: Om skärbladen inte rör sig smidigt sitter skärbladen inte ordentligt i vevhuset. Montera skärbladen igen.

OBSERVERA: Om andra delar än skärblad är utslitna (t.ex. vevhus), kontakta Makitas auktoriserade servicecenter för utbytesdelar eller reparation.

Montera eller demontera flisuppsamlare

Extra tillbehör

⚠ FÖRSIKTIGT: Bär alltid handskar så att händerna inte kommer i direktkontakt med skärbladen när du installerar eller tar bort flisuppsamlaren.

OBSERVERA: Bladhöjlet kan inte installeras om flisuppsamlaren är installerad på maskinen. Innan du bär eller förvarar maskinen ska flisuppsamlaren demonteras och därefter ska bladskyddet monteras för att undvika kontakt med bladet.

OBSERVERA: Se till att ta bort bladskyddet innan du monterar flisuppsamlaren.

Flisuppsamlaren samlar upp löv och dylikt och gör det lättare att städa upp efter avslutat arbete. Den kan monteras på valfri sida av maskinen.

1. Passa in hålen på flisuppsamlaren med skruvarna på skärbladen.

► **Fig.18:** 1. Skruv

2. Haka fast klorna på flisuppsamlaren i spåret på skärbladen.

► **Fig.19:** 1. Klo 2. Spår

3. Tryck på spakarna på flisuppsamlaren, och haka sedan fast klorna på den andra sidan i spåret på skärbladen.

► **Fig.20:** 1. Spak

För att ta bort flisuppsamlaren, tryck på spakarna på båda sidorna för att lossa klorna.

► **Fig.21:** 1. Spak

OBSERVERA: Försök aldrig att demontera flisuppsamlaren genom att trycka hårt på den när dess krokar är låsta i skärbladen.

ANVÄNDNING

⚠ VARNING: Håll händerna borta från skärbladen.

⚠ FÖRSIKTIGT: Undvik i mesta möjliga mån att använda maskinen i brännande solsken. Var rädd om dig när du använder maskinen.

⚠ FÖRSIKTIGT: Var försiktig så att du inte kommer i kontakt med ett metallstängsel eller andra hårda objekt under trimningen. Skärbladen kan gå av och orsaka skada.

⚠ FÖRSIKTIGT: Se till att skärbladen inte kommer i kontakt med marken. Maskinen kan då skjutas iväg stenar och dylikt och orsaka skador.

⚠ FÖRSIKTIGT: Att sträcka sig för långt med en häcksax, särskilt från en stege, är extremt farligt. Arbeta inte när du står på ett underlag som inte är fast eller stabilt.

OBSERVERA: Försök inte att klippa av grenar som är tjockare än 10 mm i diameter med maskinen. Klipp stora grenar till 10 cm lägre än klipphöjden med en grensax innan du använder denna maskin.

► Fig.22: (1) Klipphöjd (2) 10 cm

OBSERVERA: Klipp inte ner döda träd eller liknande hårda föremål. Det kan skada maskinen.

OBSERVERA: Trimma inte gräs eller ogräs med skärbladen. Skärbladen kan trassla in sig i gräset eller ogräset.

Håll verktyget med båda händerna, håll i det främre handtaget samtidigt som du trycker in säkerhetsgreppet och trycker in avtryckaren, flytta sedan verktyget framåt.

► Fig.23

För grundläggande användning, luta skärbladen i trimningsriktningen och flytta maskinen lugnt och långsamt med en hastighet på 3 till 4 sekunder per meter.

► Fig.24

För att klippa övre delen av häcken jämnt kan du binda ett snöre vid önskad höjd och trimma längs med det.

► Fig.25

Om flisuppsamlaren fästs i skärbladen samlar den upp bortklippta löv och gör det lättare att städa upp efter avslutat arbete.

► Fig.26

Klipp underifrån och uppåt för att klippa en häcksida rakt.

► Fig.27

För att trimma något i en rund form (t.ex. buxbom eller rhododendron) trimma från rötterna och uppåt för ett vackert resultat.

► Fig.28

UNDERHÅLL

⚠FÖRSIKTIGT: Se alltid till att maskinen är avstängd och batterikassetten borttagen innan inspektion eller underhåll utförs.

För att upprätthålla produktens SÄKERHET och TILLFÖRLITLIGHET bör allt underhålls- och justeringsarbete utföras av ett auktoriserat Makita servicecenter och med reservdelar från Makita.

Rengöra maskinen

Rengör maskinen genom att torka av damm med en torr trasa, eller en urriden trasa fuktad med såpvatten.

OBSERVERA: Använd inte bensin, förtunningsmedel, alkohol eller liknande. Missfärgning, deformation eller sprickor kan uppstå.

Underhåll av skärblad

Innan användning eller en gång i timmen under användning bör skärbladen smörjas med lågviskositetsolja (maskinolja eller smörjolja i sprayform).

► Fig.29

Avlägsna efter användning damm från båda sidorna av skärbladen med en trådborste. Torka av med en trasa och smörj sedan skärbladen med lågviskositetsolja (maskinolja eller smörjolja i sprayform).

► Fig.30

OBSERVERA: Tvätta inte skärbladen i vatten. Det kan göra att maskinen rostar eller skadas.

OBSERVERA: Smuts och rost orsakar förhöjd friktion i skärbladet och förkortar användningstiden per batteriladdning.

Förvaring

Krokhålet som finns i maskinens botten är praktiskt för att hänga upp maskinen på en spik eller skruv i väggen. Sätt på bladskyddet på skärbladen så att bladen inte exponeras och riskerar att skadas. Förvara maskinen utom räckhåll för barn. Förvara maskinen på en plats som inte utsätts för fukt eller regn.

► Fig.31: 1. Hål

Slipa skärbladen

OBSERVERA: Om skärbladen avsevärt har deformerats vid slipningen ska skärbladen bytas mot nya.

1. Installera batterikassetten på maskinen.
2. Sätt på och starta maskinen så att det övre och undre bladet placeras omväxlande.
- Fig.32
3. Stäng av maskinen och ta bort batterikassetten från maskinen.
4. Ställ in filens vinkel till 35° och slipa det övre bladet från 2 riktningar med filen.
- Fig.33: (1) Fil (2) 35°

⚠FÖRSIKTIGT: Innan skärbladen slipas, se till att maskinen är avstängd och att batterikassetten är urtagen.

5. Placera verktyget upp och ner och ta sedan bort skägget från skärbladen med brynstenen.
- Fig.34: 1. Brynsten
6. Ställ in filens vinkel på 35°, och slipa det undre bladet från 2 riktningar med filen.
7. Återställ verktyget till normal position, och ta sedan bort skägget från skärbladen med brynstenen.

Fettsmörjning

Smörjningsintervall: Var 50:e driftstimme

1. Ta bort bulten från hålet för att smörja den.
- Fig.35: 1. Bult
2. Ta bort locket från fettkärlet. Passa in fettkärlets utlopp med hålet på skyddet, och vrid fettkärlet så att utloppet på fettkärlet fästs i hålet.
- Fig.36: 1. Fettkärl 2. Hål
3. Lägg på fett på maskinen (ca 3 g är riktmärket).
4. Ta bort fettkärlet.
5. Dra åt bulten.

FELSÖKNING

Innan du ber om reparation ska du först utföra en egen kontroll. Om du hittar ett problem som inte finns förklarat i bruksanvisningen ska du inte försöka att ta isär maskinen. Fråga istället ett auktoriserad servicecenter för Makita, och använd alltid reservdelar från Makita för reparationer.

Feltillstånd	Trolig orsak (felfunktion)	Åtgärd
Motorn går inte.	Batterikassetten har inte satts i.	Sätt i batterikassetten.
	Batteriproblem (underspänning)	Ladda upp batteriet. Om det inte hjälper att ladda batteriet byter du ut det.
	Drivsystelet fungerar inte som det ska.	Lämna in till ditt lokala auktoriserade servicecenter för reparation.
Motorn stannar efter en kort stunds användning.	Batterinivån är låg.	Ladda upp batteriet. Om det inte hjälper att ladda batteriet byter du ut det.
	Överhettning.	Sluta använda maskinen och låt den svalna.
Verktyget når inte det maximala varvtalet.	Batteriet är felaktigt isatt.	Sätt i batterikassetten enligt anvisningarna i denna bruksanvisning.
	Batterinivån sjunker.	Ladda upp batteriet. Om det inte hjälper att ladda batteriet byter du ut det.
	Drivsystelet fungerar inte som det ska.	Lämna in till ditt lokala auktoriserade servicecenter för reparation.
Skärbladen rör sig inte: ⇒ Stoppa maskinen omedelbart!	Främmande föremål har fastnat mellan skärbladen.	Stäng av verktyget och ta bort batterikassetten, och ta sedan bort de främmande föremålen med verktyg som t.ex. en tång.
	Drivsystelet fungerar inte som det ska.	Lämna in till ditt lokala auktoriserade servicecenter för reparation.
Onormal vibration: ⇒ Stoppa maskinen omedelbart!	Skärbladen är brustna, böjda eller slitna.	Byt ut skärbladen.
	Drivsystelet fungerar inte som det ska.	Lämna in till ditt lokala auktoriserade servicecenter för reparation.
Skärbladen och motorn kan inte stanna: ⇒ Ta omedelbart ur batteriet!	Elektriskt funktionsfel.	Ta ur batteriet och lämna in till ditt lokala auktoriserade servicecenter för reparation.

VALFRIA TILLBEHÖR

⚠ FÖRSIKTIGT: Följande tillbehör eller tillsatser rekommenderas för användning med den Makita-maskin som denna bruksanvisning avser. Om andra tillbehör eller tillsatser används kan det uppstå risk för personskador. Använd endast tillbehören eller tillsatserna för de syften de är avsedda för.

Kontakta ditt lokala Makita servicecenter om du behöver ytterligare information om dessa tillbehör.

- Skärbladstillsats
- Skydd för skärblad
- Flisuppsamlare
- Fettkål
- Makitas originalbatteri och laddare

OBS: Några av tillbehören i listan kan vara inkluderade i maskinpaketet som standardtillbehör. De kan variera mellan olika länder.

TEKNISKE DATA

Modell:	DUH506	DUH606
Bladlengde	500 mm	600 mm
Slag per minutt	4 000 min ⁻¹	
Total lengde (uten batteri)	846 mm	965 mm
Merkespenning	DC 18 V	
Nettovekt	2,5 - 2,9 kg	2,7 - 3,0 kg

- På grunn av vårt kontinuerlige forsknings- og utviklingsprogram kan spesifikasjonene som oppgis i dette dokumentet endres uten varsel.
- Spesifikasjonene kan variere fra land til land.
- Vekten kan variere avhengig av tilbehør/tilbehørene, inkludert batteriet. Den letteste og tyngste kombinasjonen, i henhold til EPTA-prosedyre 01/2014, vises i tabellen.

Passende batteri og lader

Batteriinnsett	BL1815N / BL1820B / BL1830B / BL1840B / BL1850B / BL1860B
Lader	DC18RC / DC18RD / DC18RE / DC18SD / DC18SE / DC18SF / DC18SH / DC18WC

- Noen av batteriene og laderne som er opplistet ovenfor er kanskje ikke tilgjengelige, avhengig av hvor du bor.

⚠ ADVARSEL: Bruk kun de batteriene og laderne som er opplistet ovenfor. Bruk av andre batterier og ladere kan føre til personskader og/eller brann.





Anbefalt ledning koblet til strømkilde

Bærbar lader	PDC01
--------------	-------

- De(n) ledningstilkoblede strømkilde(n)e som er oppgitt ovenfor er kanskje ikke tilgjengelige, avhengig av hvor du bor.
- Før du bruker de ledningstilkoblede strømkildene, må du lese instruksjons- og forsiktighetsskilt på dem.

Symboler

Nedenfor ser du symbolene som kan brukes for dette utstyret. Forviss deg om at du forstår hva de betyr, før du begynner å bruke maskinen.

	Les bruksanvisningen.
	Bruk øyevern.
	FARE – Hold hendene veg fra bladet.
	Må ikke utsettes for fuktighet.



Kun for EU-land

På grunn av forekomst av farlige komponenter i utstyret, kan avfall fra elektrisk og elektronisk utstyr, akkumulatører og batterier ha en negativ innvirkning på miljøet og menneskers helse.

Ikke kast elektriske og elektroniske apparater eller batterier sammen med husholdningsavfall!

I samsvar med det europeiske direktivet om avfall fra elektrisk og elektronisk utstyr og om akkumulatører og batterier samt akkumulatører og batterier som skal kastes, samt deres tilpasning til nasjonal lovgivning, skal brukt elektrisk utstyr samt brukte batterier og akkumulatører samles inn separat og leveres til et eget innsamlingssted for kommunalt avfall, som driver virksomhet i samsvar med miljøvernforskriftene.

Dette er angis av symbolet med den overkryssede avfallsbeholderen som er plassert på utstyret.



Garantert lyd effekt nivå i henhold til EU-direktivet om støy fra utstyr til utendørs bruk.



Lyd effekt nivå i henhold til Australia NSW støykontrollforskrift

Riktig bruk

Dette verktøyet er kun beregnet på å klippe hekker.

Støy

Gjeldende standard : EN62841-4-2

Modell	Lydtrykknivå		Lydeffektnivå	
	L _{pA} (dB (A))	Usikkerhet K (dB (A))	L _{WA} (dB (A))	Usikkerhet K (dB (A))
DUH506	77	3	88	3
DUH606	79	3	90	3

MERK: Den/de oppgitte verdien(e) for genererte vibrasjoner har blitt målt i henhold til standard testmetoder, og kan bli brukt til å sammenligne ett verktøy med et annet.

MERK: Den/de angitte verdien(e) for de genererte vibrasjonene kan også brukes til en foreløpig vurdering av eksponeringen.

⚠ ADVARSEL: Bruk hørselsvern.

⚠ ADVARSEL: De genererte vibrasjonene ved faktisk bruk av elektroverktøyet kan avvike fra den/de angitte vibrasjonsverdien(e), avhengig av hvordan verktøyet brukes.

⚠ ADVARSEL: Sørg for å identifisere vernetiltak for å beskytte operatøren, som er basert på et estimat av eksponeringen under de faktiske bruksforholdene (idet det tas hensyn til alle deler av driftssyklusen, dvs. hvor lenge verktøyet er slått av, hvor lenge det går på tomgang og hvor lenge startbryteren faktisk holdes trykket).

Vibrasjoner

Den totale vibrasjonsverdien (triaksial vektorsum) bestemmer i henhold EN62841-4-2:

Modell	Håndtak foran		Håndtak bak	
	ah (m/s ²)	Usikkerhet K (m/s ²)	ah (m/s ²)	Usikkerhet K (m/s ²)
DUH506	2,5 m/s ² eller mindre	1,5	2,5 m/s ² eller mindre	1,5
DUH606	2,5 m/s ² eller mindre	1,5	2,5 m/s ² eller mindre	1,5

MERK: Den/de oppgitte verdien(e) for totalt genererte vibrasjoner har blitt målt i henhold til standard testmetoder, og kan bli brukt til å sammenligne ett verktøy med et annet.

MERK: Den/de angitte verdien(e) for totalt genererte vibrasjoner kan også brukes til en foreløpig vurdering av eksponeringen.

⚠ ADVARSEL: De genererte vibrasjonene ved faktisk bruk av elektroverktøyet kan avvike fra den/de angitte vibrasjonsverdien(e), avhengig av hvordan verktøyet brukes og spesielt i forhold til arbeidsstykket som blir behandlet.

⚠ ADVARSEL: Sørg for å identifisere vernetiltak for å beskytte operatøren, som er basert på et estimat av eksponeringen under de faktiske bruksforholdene (idet det tas hensyn til alle deler av driftssyklusen, dvs. hvor lenge verktøyet er slått av, hvor lenge det går på tomgang og hvor lenge startbryteren faktisk holdes trykket).

EFs samsvarserklæring

Gjelder kun for land i Europa

EFs samsvarserklæring er lagt til som vedlegg A i denne bruksanvisningen.

SIKKERHETSADVARSEL

Generelle advarsler angående sikkerhet for elektroverktøy

⚠ ADVARSEL: Les alle sikkerhetsadvarsler, instruksjoner, illustrasjoner og spesifikasjoner som følger med dette elektroverktøyet. Hvis ikke alle instruksjonene nedenfor følges, kan det forekomme elektrisk støt, brann og/eller alvorlig skade.

Oppbevar alle advarsler og instruksjoner for senere bruk.

Uttrykket «elektrisk verktøy» i advarslene refererer både til elektriske verktøy (med ledning) tilkoblet strømmettet, og batteridrevne verktøy (uten ledning).

Sikkerhetsadvarsler for batteridrevet hekktrimmer

- Hold alle deler av kroppen borte fra bladet. Ikke forsøk å fjerne kapp eller å holde fast materiale som skal kuttes, mens bladene er i bevegelse.** Bladene fortsetter å bevege seg etter at bryteren slås av. Et øyeblikks uoppmerksomhet mens du bruker hekktrimmeren kan være nok til å forårsake alvorlige personskader.
- Bær hekktrimmeren i håndtaket med bladet stoppet, og pass på at du ikke kommer borti noen strømbryter.** Hvis du bærer hekktrimmeren på riktig måte, reduserer du faren for å starte den utilsiktet og slik at bladene forårsaker personskader.
- Før transport eller oppbevaring av hekktrimmeren må bladdekslet alltid settes på.** Korrekt håndtering av hekktrimmeren vil redusere faren for at bladene forårsaker personskader.
- Før du fjerner materiale som har satt seg fast eller utfører service på enheten, må du kontrollere at alle strømbrytere er slått av og at batteriet er tatt ut eller frakoblet.** Utilsiktet start av hekktrimmeren under fjerning av materiale som har satt seg fast eller utførelse av service, kan føre til alvorlige personskader.
- Hekktimmeren skal kun holdes i de isolerte håndtakene, ettersom bladet kan komme i kontakt med skjulte ledninger.** Hvis bladene kommer i kontakt med en strømførende ledning, kan metalldelene på hekktrimmeren bli strømførende og føre til at brukeren får støt.
- Hold alle strømledninger og kabler unna arbeidsområdet.** Strømledninger eller kabler kan være skjult av hekker eller busker, og kan utilsiktet bli kappet av bladet.
- Ikke bruk hekktrimmeren under dårlige værforhold, spesielt hvis det er fare for lyn.** Dette reduserer faren for å bli truffet av lynet.
- Når du gir hekktrimmeren til en annen person, skal hekktrimmeren først settes på bakken og deretter løftes opp etter at du har fjernet hånden din helt fra den.** Hvis hekktrimmeren går for hånd, holdes både håndtaket foran og håndtaket bak samtidig, og hekktrimmeren starter utilsiktet. Utilsiktet start kan føre til alvorlig personskade.

Flere sikkerhetsanvisninger

Klargjøring

- Kontroller at det ikke er noen fremmedlegemer i hekkene eller buskene, som piggetråd eller skjulte kabler.**
- Verktøyet må ikke brukes av barn eller unge under 18 år.** Det kan gjøres unntak for ungdom over 16 år hvis de får opplæring under overoppsyn av en ekspert.
- Førstegangsbrukere skal få en erfaren bruker til å vise dem hvordan verktøyet skal brukes.**

- Bruk verktøyet bare hvis du er i god fysisk form.** Trethet fører til uaktsomhet. Vær spesielt forsiktig på slutten av arbeidsdagen. Utfør alt arbeid rolig og forsiktig. Brukeren er ansvarlig for all skader på tredjepart.
- Du må aldri bruke verktøyet når du har drukket alkohol eller tatt rusmidler eller medikamenter.**
- Arbeidshansker av kraftig skinn inngår i det grunnleggende utstyret til verktøyet og må alltid brukes under arbeid med salen.** Bruk også robuste sko med sklisikre såler.
- Før du begynner å jobbe, må du kontrollere at verktøyet er funksjonsdyktig og i god stand.** Påse at vernene er satt skikkelig på. Verktøyet må ikke brukes med mindre det er satt helt sammen.

Bruk

- Hold verktøyet i et fast grep fast med begge hender når du bruker det.**
- Verktøyet er beregnet på bruk på bakkenivå. Ikke bruk verktøyet i stiger eller andre ustabile bæredyktigheter.**
- FARE - Hold hendene unna bladet.** Kontakt med bladet vil forårsake alvorlig personskade.
- Ikke bruk verktøyet når det regner eller når luftfuktigheten er veldig høy.** Den elektriske motoren er ikke vannrett.
- Sørg for å ha godt fotfeste før du begynner arbeidet.**
- Ikke bruk verktøyet uten belastning, hvis det ikke er nødvendig.**
- Slå av verktøyet, og fjern batteriet hvis skjærebladene skulle komme i kontakt med et gjerde eller andre harde gjenstander.** Kontroller bladene med tanke på skader, og skift i så fall ut bladene omgående.
- Før du kontrollerer skjærebladene med tanke på feil eller fjerner materiale som har satt seg fast i skjærebladene, må du alltid slå av verktøyet og fjerne batteriet.**
- Du må aldri rette skjærebladene mot deg selv eller andre.**
- Hvis bladene slutter å bevege seg på grunn av fremmedlegemer som sitter fast mellom bladene under drift, må du slå av verktøyet og ta ut batterikassetten, og deretter fjerne fremmedlegemene med et verktøy slik som for eksempel en tang.** A fjern greiner eller avfall som har satt seg fast med hendene, kan medføre til en personskade, da sagbladene kan bevege seg som reaksjon på at fremmedlegemene fjernes.

Elektrisk sikkerhet og batterisikkerhet

- Unngå farlige omgivelser. Ikke bruk verktøyet i fuktige eller våte omgivelser, og ikke utsett det for regn.** Hvis det kommer vann inn i verktøyet, vil risikoen for elektriske støt øke.
- Ikke kast batteriet (batteriene) på åpen ild.** Cellen kan eksplodere. Batterier skal leveres til en forhandler av elektroutstyr eller til et kommunalt avfallsmottak.
- Ikke åpne eller ødelegg batteriet (batteriene).** Elektrolytt som lekker ut er korroderende, og kan forårsake skader på øyne og hud. Den kan være giftig hvis den svelges.

- Ikke skift batteri når det regner, eller i fuktige omgivelser.
- Ikke lad batteriet utendørs.
- Ikke håndter laderen, inkludert laderstøpselet og laderterminalene, med våte hender.

Vedlikehold og oppbevaring

- Slå av verktøyet, og fjern batteriet før du utfører vedlikeholdsarbeid.
- Når du flytter verktøyet til et annet sted, inkludert under arbeid, må du alltid fjerne batteriet og dekke skjærebladene med bladdekslet. Verktøyet må aldri bæres eller transporteres mens bladene sviver. Grip aldri om bladene med hendene.
- Rengjør verktøyet, og særlig skjærebladene, etter bruk og før du setter bort verktøyet for oppbevaring for en lengre periode. Olje bladene forsiktig, og sett på bladdekslet.
- Oppbevar verktøyet med bladdekslet på i et tørt rom. Oppbevar den utilgjengelig for barn. Verktøyet må aldri oppbevares utendørs.
- Ikke kast batteriet (batteriene) på åpen ild. Cellen kan eksplodere. Batterier skal leveres til en forhandler av elektroutstyr eller til et kommunalt avfallsmottak.
- Ikke åpne eller ødelegg batteriet (batteriene). Elektrolytt som lekker ut er korroderende og kan forårsake skader på øyne og hud. Den kan være giftig hvis den svelges.
- Ikke skift batteri når det regner, eller i fuktige omgivelser.

TA VARE PÅ DISSE INSTRUKSENE.

⚠ ADVARSEL: IKKE LA hensynet til hva som er "behagelig" eller det faktum at du kjenner produktet godt (etter mange gangers bruk) gjøre deg mindre oppmerksom på sikkerhetsreglene for bruken av det aktuelle produktet. Ved MISBRUK eller hvis ikke sikkerhetsreglene i denne bruksanvisningen følges, kan det oppstå alvorlig personskade.

Viktige sikkerhetsanvisninger for batteriinsats

- Før du begynner å bruke batteriet, må du lese alle anvisninger og forsiktighetsregler på (1) batteriladeren, (2) batteriet og (3) det produktet batteriet skal brukes i.
- Ikke demonter eller tukle batteriet. Det kan føre til brann, overoppheting eller eksplosjon.
- Hvis driftstiden er blitt vesentlig kortere, må du omgående slutte å bruke maskinen. Hvis ikke kan resultatet bli overoppheting, mulige forbrenninger eller til og med en eksplosjon.
- Hvis du får elektrolytt i øynene, må du skylle dem med store mengder rennende vann og oppsøke lege med én gang. Denne typen uhell kan føre til varig blindhet.

- Ikke kortslutt batteriet:
 - De kan være ekstremt varme og du kan brenne deg.
 - Ikke lagre batteriet i samme beholder som andre metallgjenstander, som for eksempel spiker, mynter osv.
 - Ikke la batteriet komme i kontakt med vann eller regn.

En kortslutning av batteriet kan føre til et kraftig strømstøt, overoppheting, mulige forbrenninger og til og med til at batteriet går i stykker.
- Ikke oppbevar og bruk verktøyet og batteriet på steder hvor temperaturen kan komme opp i eller overskride 50 °C.
- Ikke sett fyr på batteriet, ikke engang om det er sterkt skadet eller helt utslitt. Batteriet kan eksplodere hvis det begynner å brenne.
- Du må ikke spikre, skjære, klemme, kaste eller miste batteriet, og heller ikke slå en hard gjenstand mot batteriet. En slik oppførsel kan føre til brann, overoppheting eller eksplosjon.
- Ikke bruk batterier som er skadet.
- Lithium-ion-batteriene som medfølger er gjenstand for krav om spesialavfall. For kommersiell transport, f.eks av tredjeparter eller speditorer, må spesielle krav om pakking og merking følges. Før varen blir sendt, må du forhøre deg med en ekspert på farlig materiale. Ta også hensyn til muligheten for mer detaljerte nasjonale bestemmelser. Bruk teip eller maskeringsteip for å skjule åpne kontakter og pakk inn batteriet på en slik måte at den ikke kan bevege seg rundt i emballasjen.
- Når du kasserer batteriinsatsen, må du ta den ut av verktøyet og avhende den på et sikkert sted. Følg lokale bestemmelser for avhending av batterier.
- Bruk batteriene kun med produkter spesifisert av Makita. Montere batteriene i produkter som ikke er konforme kan føre til brann, overheting eller elektrolyttlekkasje.
- Hvis verktøyet ikke skal brukes over en lengre periode, må batteriet tas ut av verktøyet.
- Under og etter bruk kan batteriet bli varmt og før til brannskader. Vær forsiktig med håndteringen av varme batterier.
- Ikke berører terminalen på verktøyet rett etter bruk, da den kan bli varm og forårsake brannskader.
- Ikke la spon, støv eller jord sette seg fast i terminalene, hullene og sporene i batteriet. Det kan føre til at batteriet eller verktøyet blir overopphetet, begynner å brenne, sprekker eller ikke fungerer som det skal, og forårsake brannskader eller personskade.
- Med mindre verktøyet støtter bruk nær en høyspent strømlinje, skal ikke batteriet brukes nær en høyspent strømlinje. Det kan føre til en funksjonsfeil eller at verktøyet eller batteriet slutter å fungere.
- Oppbevar batteriet utilgjengelig for barn.

TA VARE PÅ DISSE INSTRUKSENE.

⚠FORSIKTIG: Bruk kun originale Makita-batterier. Bruk av batterier som har endret seg, eller som ikke er originale Makita-batterier, kan føre til at batteriet sprekker og forårsaker brann, personskader og andre skader. Det vil også ugyldiggjøre garantien for Makita-verktøyet og -laderen.

Tips for å opprettholde maksimal batterilevetid

1. Lad batteriinnsetsen før den er helt utladet. Stopp alltid driften av verktøyet og lad batteriinnsetsen når du merker at effekten reduseres.
2. Lad aldri en batteriinnsets som er fulladet. Overopplading forkorter batteriets levetid.
3. Lad batteriet i romtemperatur ved 10 °C - 40 °C. Et varmt batteri må kjøles ned før lading.
4. Når batteriet ikke er bruk, skal det tas ut av verktøyet eller laderen.
5. Lad batteriet hvis det ikke har vært brukt på en lang stund (over seks måneder).

FUNKSJONSBEKRIVELSE

⚠FORSIKTIG: Forviss deg alltid om at maskinen er slått av og batteriet tatt ut før du justerer maskinen eller kontrollerer dens mekaniske funksjoner.

Sette inn eller ta ut batteri

⚠FORSIKTIG: Slå alltid av verktøyet før du setter inn eller fjerner batteriet.

⚠FORSIKTIG: Hold verktøyet og batteripatronen i et fast grep når du monterer eller fjerner batteripatronen. Hvis du ikke holder verktøyet og batteripatronen godt fast, kan du miste grepet, og dette kan føre til skader på verktøyet og batteripatronen samt personskader.

► Fig.1: 1. Rød indikator 2. Knapp 3. Batteriinnsets

For å ta ut batteriet må du skyve på knappen foran på batteriet og trekke det ut.

Når du skal sette inn batteriet, må du plassere tungen på batteriet på linje med sporet i huset og skyve batteriet på plass. Skyv det helt inn til det går i inngrep med et lite klikk. Hvis du kan se den røde indikatoren som vist i figuren, er det ikke helt låst.

⚠FORSIKTIG: Batteriet må alltid settes helt inn, så langt at den røde indikatoren ikke lenger er synlig. Hvis dette ikke gjøres, kan batteriet falle ut av verktøyet og skade deg eller andre som oppholder seg i nærheten.

⚠FORSIKTIG: Ikke bruk makt når du setter i batteriet. Hvis batteriet ikke glir lett inn, er det fordi det ikke settes inn på riktig måte.

Indikere gjenværende batterikapasitet

Kun for batterier med indikatoren

► Fig.2: 1. Indikatorlamper 2. Kontrollknapp

Trykk på sjekk-knappen på batteriet for vise gjenværende batterikapasitet. Indikatorlampene lyser i et par sekunder.

Indikatorlamper			Gjenværende batterinivå
Tent	Av	Blinker	
■ ■ ■ ■			75 % til 100 %
■ ■ ■ □			50 % til 75 %
■ ■ □ □			25 % til 50 %
■ □ □ □			0 % til 25 %
▬ □ □ □			Lad batteriet.
■ ■ □ □			Batteriet kan ha en feil.
□ □ ■ ■			

MERK: Det angitte nivået kan avvike noe fra den faktiske kapasiteten alt etter bruksforholdene og den omgivende temperaturen.

MERK: Den første (helt til venstre) indikatorlampe vil blinke når batterivernsystemet fungerer.

Batterivernsystem for verktøy/batteri

OBS: Avhengig av bruksbetingelsene, stopper verktøyet automatisk uten noen indikasjon hvis greiner eller avfall setter seg fast i verktøyet. I så fall må du slå av verktøyet og fjerne batteriet, og deretter fjerne greiner eller avfall som har satt seg fast, ved hjelp av verktøy slik som en tang. Etter at greiner eller avfall er fjernet, setter du inn batteriet og slår på verktøyet igjen.

Verktøyet er utstyrt med et batterivernsystem for verktøy/batteri. Dette systemet kutter automatisk strømmen til motoren for å forlenge verktøyet og batteriets levetid. Verktøyet stopper automatisk under drift hvis verktøyet eller batteriet utsettes for en av følgende tilstander:

Overlastsikring

Når verktøyet eller batteriet brukes på en måte som gjør at det bruker unormalt mye strøm, vil verktøyet stoppe automatisk. Hvis dette skjer, må du slå av verktøyet og avslutte bruken som forårsaket at verktøyet ble overbelastet. Slå deretter verktøyet på for å starte det igjen.

Overopphetingsvern

Når verktøyet eller batteriet blir overopphetet, stanser verktøyet automatisk. I dette tilfellet lar du verktøyet og batteriet avkjøles før du starter verktøyet på nytt.

Overutladningsvern

Når det blir batterikapasiteten er utilstrekkelig, stopper verktøyet automatisk. I så fall fjerner du batteriet fra verktøyet og lader det.

Vern mot andre årsaker

Vernesystemet er også laget for beskyttelse av andre grunner som kan skade verktøyet og gjøre at det stanser automatisk. Ta alle de følgende forholdsreglene for å fjerne årsakene til at verktøyet har stanset midlertidig mens det er i drift.

1. Skru av verktøyet og sår skrur du verktøyet på igjen for å starte på nytt.
2. Lad opp batteriet/batteriene eller skift det/dem ut med oppladde batteri(er).
3. La maskinen og batteriet/batteriene kjøle seg ned.

Hvis det ikke blir noen bedring ved å gjenopprette vernesystemet, ta kontakt med det lokale Makita servicesenteret.

OBS: Hvis verktøyet stopper av en årsak som ikke er beskrevet ovenfor, kan du se avsnittet om feilsøking.

Bryterfunksjon

⚠ ADVARSEL: Av hensyn til din egen sikkerhet er dette verktøyet utstyrt med en bryterspak som forhindrer utilsiktet start av verktøyet. Du må **ALDRI** bruke verktøyet hvis det starter når du trekker i startbryteren uten at du også må trykke på bryterspaken. Lever verktøyet til et autorisert serviceverksted for å få det reparert **FØR** videre bruk.

⚠ ADVARSEL: Bryterspaken må **ALDRI** holdes inne med tape, og den må **ALDRI** settes ut av funksjon.

⚠ ADVARSEL: Før du setter batteriet i maskinen, må du kontrollere at startbryteren og starthendelen beveger seg riktig og går tilbake til "OFF"-stillingen når den slippes. Hvis du bruker verktøyet med en bryter som ikke fungerer som den skal, kan du komme til å miste kontrollen, og det kan føre til alvorlig personskade.

⚠ FORSIKTIG: Du må aldri plassere fingeren på bryteren når du bærer verktøyet. Verktøyet kan starte utilsiktet og forårsake skade.

For å starte verktøyet, holder du i håndtaket foran mens du trykker på bryterspaken og på startbryteren. Når du skal stoppe verktøyet, slipper du enten startbryteren eller bryterspaken.

► **Fig.3:** 1. Håndtak foran 2. Bryterspak 3. Startbryter

Indikatorlampe

► **Fig.4:** 1. Indikatorlampe

Indikatorlampen blinker eller tennes når batteriet går tomt eller verktøyet overbelastes. Følgende tabell gir en oversikt over de ulike statusene og hvilke tiltak som må iverksettes.

Indikatorlampe	Status	Tiltak som må iverksettes
Lampen blinker rødt.	Den gjenværende batterikapasiteten er lav.	Lad batteriet på nytt, eller erstatt det med et fulladet batteri.
Lampen tennes og lyser rødt.	Batteriet har gått tomt.	Lad batteriet på nytt, eller erstatt det med et fulladet batteri.
	Verktøyet har stanset på grunn av overbelastning.	Slå av verktøyet, og fjern årsaken til overbelastningen.
	Verktøyet har stanset på grunn av overoppheting.	Slå av verktøyet, og kjøøl ned verktøyet og batteriet.

MERK: På hvilket tidspunkt indikatorlampen blinker eller tennes, varierer med temperaturen i arbeidsområdet og batteritilstanden.

Elektronisk funksjon

Verktøyet er utstyrt med de elektroniske funksjonene for å gjøre det enkelt å bruke.

- Konstant hastighetskontroll
Hastighetskontrollfunksjonen sørger for konstant rotasjonshastighet uavhengig av belastningsforhold.
- Elektrisk brems
Dette verktøyet er utstyrt med elektrisk brems. Hvis verktøyet gjentatte ganger ikke umiddelbart stopper skjærebladene etter at du slipper startbryteren, må du sende verktøyet til et Makita-godkjent servicesenter for service.
- Funksjon som forhindrer utilsiktet start
Selv om du monterer batteriet mens du trekker i startbryteren, starter ikke verktøyet. For å starte verktøyet slipper du startbryteren før du trekker i startbryteren.

MONTERING

⚠ FORSIKTIG: Forviss deg alltid om at maskinen er slått av og batteriet tatt ut før du utfører noe arbeid på maskinen.

⚠ FORSIKTIG: Når du skifter ut skjærebladene, må du alltid bruke hansker slik at hendene ikke kommer i direkte kontakt med bladene.

OBS: Når du skifter du skjærebladene, må du ikke tørke fett av giret eller veivakselen.

Montere eller demontere skjærebladene

⚠FORSIKTIG: Fest bladdekslet før du fjerner eller monterer skjærebladene.

Du kan montere skjæreblader på 500 mm eller 600 mm på verktøyet.

1. Fest bladdekslet til skjærebladene.

► **Fig.5:** 1. Bladdeksel

2. Sett verktøyet opp-ned, ta ut de 6 boltene, og fjern deretter dekslet og platen.

► **Fig.6:** 1. Bolt 2. Deksel 3. Plate

MERK: Platen kan bli på dekslet.

3. Drei veivakselen med den slissede skrutrekkeren slik at de 2 hullene er på loddrett linje med skjærebladene.

► **Fig.7:** 1. Veivaksel 2. Hull

4. Fjern 2 muttere, filtputen og hylsene, og ta deretter av skjærebladene.

► **Fig.8:** 1. Filtpute 2. Bolt 3. Hylse 4. Skjæreblader

5. Fjern bladdekslet, og fest det deretter på de nye skjærebladene.

► **Fig.9:** 1. Bladdeksel

6. Rett inn de bakre kantene på skjærebladene som vist på figuren.

► **Fig.10:** 1. Bakre kant

7. Skyv skjærebladene noe, som vist på figuren, og fest deretter hylsene til skjærebladene.

► **Fig.11:** 1. Hylse

8. Skyv bladdekslet noe mot spissen på skjærebladene, og fest deretter skjærebladene til verktøyet.

► **Fig.12:** 1. Skjæreblader

OBS: Påfør en liten mengde fett på den innvendige periferen til hulllet i skjærebladene.

OBS: Sørg for ikke å miste i hylsene.

9. Skyv skjærebladene og hylsene slik at hullene på hylsene er rettet inn med hullene på verktøyet.

► **Fig.13:** 1. Hull på verktøy 2. Hull på hylse

10. Stram boltene for å feste skjærebladene.

► **Fig.14:** 1. Bolt

11. Fest filtputen til skjærebladene.

► **Fig.15:** 1. Filtpute

12. Fest platen.

► **Fig.16:** 1. Plate

13. Fest dekslet, og trekk deretter til 6 bolter.

► **Fig.17:** 1. Bolt 2. Deksel

OBS: Hvis skjærebladene ikke beveger seg jevnt, griper ikke bladene riktig inn i veivakselen. Monter skjærebladene på nytt.

OBS: Hvis det er andre deler enn sagbladene som er utslitt, som f.eks. veivakselen, ta kontakt med et autorisert Makita servicesenter for nye deler eller reparasjon.

Montere eller fjerne flisopsamleren

Valgfritt tilbehør

⚠FORSIKTIG: Når du monterer eller demonterer flisopsamleren, må du alltid bruke hansker slik at hendene ikke kommer i direkte kontakt med skjærebladene.

OBS: Bladdekslet kan ikke monteres hvis flisopsamleren er montert på verktøyet. Før du bærer verktøyet noe sted, eller setter den på lager, må du avmontere flisopsamleren og montere bladdekslet for å unngå at bladene står utildekket.

OBS: Pass på å fjerne bladdekslet før du installerer flisopsamleren.

Flisopsamleren samler opp løv og gjør oppryddingen i etterkant mye enklere. Den kan monteres på begge sider av verktøyet.

1. Innrett hullene i flisopsamleren med skruene på skjærebladene.

► **Fig.18:** 1. Skru

2. Hekt flisopsamlerens kroker i skjærebladenes spor.

► **Fig.19:** 1. Krok 2. Spor

3. Trykk på spakene på flisopsamleren, og hekt deretter krokene på den andre siden i skjærebladenes spor.

► **Fig.20:** 1. Spak

Når du skal fjerne flisopsamleren, trykker på hendlene for å frigjøre krokene.

► **Fig.21:** 1. Spak

OBS: Aldri prøv å fjerne flisopsamleren ved å bruke makt mens krokene er låst fast i skjærebladene.

BRUK

⚠ADVARSEL: Hold hendene unna skjærebladene.

⚠FORSIKTIG: Unngå å bruke verktøyet i svært varmt vær så sant det lar seg gjøre. Ikke bruk verktøyet hvis du føler deg uvel.

⚠FORSIKTIG: Vær forsiktig så du ikke utilsiktet kommer borti et metallgjerde eller andre harde gjenstander mens du beskjærer hekken. Skjærebladene kan brenke og forårsake personskade.

⚠FORSIKTIG: Ikke la skjærebladene komme i kontakt med bakken. Verktøyet kan slå tilbake og forårsake personskade.

⚠FORSIKTIG: Å lene seg ut over noe med en hekktrimmer, særlig fra en stige, er svært farlig. Når du jobber, må du ikke stå på noe som er ustøtt eller ustabil.

OBS: Ikke forsøk å beskjære greiner som er tykkere enn 10 mm i diameter med verktøyet. Kutt greiner til 10 cm lavere enn klippehøyden ved hjelp av en greinsaks før du bruker verktøyet.

► **Fig.22:** (1) Klippehøyde (2) 10 cm

OBS: Ikke fell trær eller kutt lignende harde gjenstander. Det kan skade verktøyet.

OBS: Ikke kutt gress eller ugress med skjærebladene. Skjærebladene kan vikle seg inn i gresset eller ugreset.

Hold verktøyet med begge hender, og hold i håndtaket foran mens du trykker på bryterspaken og startbryteren, og bevege deretter verktøyet fremover.

► **Fig.23**

En grunnleggende arbeidsoperasjon består i å vippe bladene den veien beskjæringen skal utføres, og bevege trimmeren sakte og rolig med en hastighet på 3 til 4 sekunder per meter.

► **Fig.24**

For å kutte toppen av en hekk jevnt, binder du en snor i den ønskede hekkhøyden og trimmer langs den.

► **Fig.25**

Hvis flisoppsamleren er festet til skjærebladene, samler den opp løv og gjør oppryddingen i etterkant mye enklere.

► **Fig.26**

For å kutte siden av en hekk jevnt, kutter du fra bunnen og opp til toppen.

► **Fig.27**

Når du beskjærer for å lage en rund form (beskjæring av buksbom eller rododendron, osv.), beskjærer du fra roten til toppen for en pen avslutning.

► **Fig.28**

VEDLIKEHOLD

⚠FORSIKTIG: Forviss deg alltid om at maskinen er slått av og batteriet tatt ut før du foretar inspeksjon eller vedlikehold.

For å opprettholde produktets SIKKERHET og PÅLTELIGHET, må reparasjoner, vedlikehold og justeringer utføres av autoriserte Makita servicesentre eller fabrikkerservicesentre, og det må alltid brukes reservedeler fra Makita.

Rengjøre verktøyet

Rengjør verktøyet ved å tørke bort støv med en tørr klut eller en klut som er dyppet i såpevann og vridt opp.

OBS: Aldri bruk gasolin, bensin, tynner alkohol eller lignende. Det kan føre til misfarging, deformering eller sprekkdannelse.

Vedlikehold av skjæreblad

Før bruk, eller en gang i timen under bruk, påfører du olje med lav viskositet (maskinolje eller smøreolje fra en sprayflaske) på skjærebladene.

► **Fig.29**

Etter bruk fjerner du støv fra begge sidene av skjærebladene med en stålborste, tørker det bort med en klut og påfører deretter olje med lav viskositet (maskinolje eller smøreolje fra en sprayflaske) på skjærebladene.

► **Fig.30**

OBS: Ikke vask skjærebladene i vann. Det kan føre til at verktøyet begynner å ruste eller blir skadet.

OBS: Smuss og korrosjon forårsaker høy bladfriksjon og forkorter driftstiden per batterilading.

Lagring

Krokullet i bunnen av verktøyet er praktisk hvis du vil henge verktøyet på en spiker eller skrue på veggen. Fest bladdekselet til skjærebladene slik at bladene ikke er utildekket. Oppbevar verktøyet utilgjengelig for barn. Oppbevar verktøyet på et sted som ikke er utsatt for fuktighet eller regn.

► **Fig.31:** 1. Hull

Slipe skjærebladene

OBS: Hvis skjærebladene er blitt betydelig deformert av sliping, må du erstatte skjærebladene med nye.

1. Sett batteriet inn i verktøyet.
2. Slå på og start verktøyet slik at det øver bladet og det nedre bladet er posisjonert vekselvis.

► **Fig.32**

3. Slå av verktøyet og fjern batteriet fra verktøyet.
4. Still vinkelen på en fil inn til 35° og slip det øvre bladet fra 2 retninger med filen.

► **Fig.33:** (1) Fil (2) 35°

⚠FORSIKTIG: Før du sliper skjærebladene, må du forsikre deg om at verktøyet er slått av og at batteriet er tatt ut av verktøyet.

5. Plasser verktøyet opp ned, og fjern deretter grader fra skjærebladene med en pussestein.

► **Fig.34:** 1. Pussestein

6. Still inn vinkelen på filen til 35° og slip det nedre bladet fra 2 retninger med filen.

7. Plasser verktøyet i normal posisjon, og fjern deretter grader fra skjærebladene med pussesteinen.

Fettsmøring

Smøreintervall: Hver 50 driftstime

1. Fjern bolten fra hullet for smøring.

► **Fig.35:** 1. Bolt

2. Fjern hetten fra fettbeholderen. Rett inn utløpet på fettbeholderen med hullet i dekselet, og vri deretter fettbeholderen for å feste utløpet på fettbeholderen i hullet.

► **Fig.36:** 1. Fettbeholder 2. Hull

3. Fyll fett på verktøyet (omtrent 3 som en retningslinje).

4. Fjern fettbeholderen.

5. Trekk til bolten.

FEILSØKING

Inspiser utstyret selv før du bestiller reparasjon. Ikke prøv å demontere verktøyet hvis du finner et problem som ikke er forklart i brukerveiledningen. I stedet bør du ta kontakt med et av Makitas autoriserte servicesentre, som alltid bruker reservedeler fra Makita til reparasjoner.

Unormal tilstand	Sannsynlig årsak (feil)	Løsning
Motoren går ikke.	Batteriet er ikke satt inn.	Installer batteriet.
	Batteriet er ikke riktig satt inn.	Lad batteriet. Hvis ladingen ikke virker, må batteriet skiftes ut.
	Drivsystemet virker ikke slik det skal.	Kontakt ditt nærmeste autoriserte servicesentre hvis det oppstår behov for reparasjon.
Motoren slutter å gå etter kort tids bruk.	Batteriets ladenivå er lavt.	Lad batteriet. Hvis ladingen ikke virker, må batteriet skiftes ut.
	Overoppheting.	Stopp bruken av verktøyet og la det avkjøles.
Verktøy når ikke maksimalt antall omdreininger per minutt.	Batteriet er ikke riktig satt inn.	Sett inn batteriet som beskrevet i denne håndboken.
	Batterieffekten minsker.	Lad batteriet. Hvis ladingen ikke virker, må batteriet skiftes ut.
	Drivsystemet virker ikke slik det skal.	Kontakt ditt nærmeste autoriserte servicesentre hvis det oppstår behov for reparasjon.
Skjæreblader beveger seg ikke: ⇒ stans maskinen umiddelbart!	Fremmedlegemer sitter fast mellom skjærebladene.	Slå av verktøyet og ta ut batteriet, og fjern deretter fremmedlegemene ved hjelp av et verktøy, f.eks. en tang.
	Drivsystemet virker ikke slik det skal.	Kontakt ditt nærmeste autoriserte servicesentre hvis det oppstår behov for reparasjon.
Unormale vibrasjoner: ⇒ stans maskinen umiddelbart!	Skjæreblader er knekt, bøyd eller utslitt.	Erstatt skjærebladene.
	Drivsystemet virker ikke slik det skal.	Kontakt ditt nærmeste autoriserte servicesentre hvis det oppstår behov for reparasjon.
Kan ikke stoppe skjæreblader og motor: ⇒ Fjern batteriet umiddelbart!	Elektrisk feil.	Fjern batteriet og kontakt ditt nærmeste autoriserte servicesentre for reparasjon.

VALGFRITT TILBEHØR

⚠ FORSIKTIG: Det anbefales at du bruker dette tilbehøret eller verktøyet sammen med den Makita-maskinen som er spesifisert i denne håndboken. Bruk av annet tilbehør eller verktøy kan forårsake personskader. Tilbehør og verktøy må kun brukes til det formålet det er beregnet på.

Ta kontakt med ditt lokale Makita-servicesentre hvis du trenger mer informasjon om dette tilbehøret.

- Skjærebladenhet
- Skjærebladdeksel
- Flisoppsamler
- Fettbeholder
- Makita originalbatteri og lader

MERK: Enkelte elementer i listen kan være inkludert som standardtilbehør i verktøypakken. Elementene kan variere fra land til land.

TEKNISET TIEDOT

Malli:	DUH506	DUH606
Terän pituus	500 mm	600 mm
Iskua minuutissa	4 000 min ⁻¹	
Kokonaispituus (ilman akkua)	846 mm	965 mm
Nimellisjännite	DC 18 V	
Nettopaino	2,5–2,9 kg	2,7–3,0 kg

- Jatkuvasta tutkimus- ja kehitystyöstämme johtuen esitetyt tekniset tiedot saattavat muuttua ilman erillistä ilmoitusta.
- Tekniset ominaisuudet voivat vaihdella maittain.
- Paino voi olla erilainen lisävarusteista sekä akusta johtuen. EPTA-menettelytavan 01/2014 mukaisesti, taulukossa on kuvattu kevyin ja painavin laiteyhdistelmä.

Käytettävä akkupaketti ja laturi

Akkupaketti	BL1815N / BL1820B / BL1830B / BL1840B / BL1850B / BL1860B
Laturi	DC18RC / DC18RD / DC18RE / DC18SD / DC18SE / DC18SF / DC18SH / DC18WC

- Tiettyjä yläpuolella kuvattuja akkuja ja latureita ei ehkä ole saatavana asuinalueestasi johtuen.

VAROITUS: Käytä vain edellä eriteltyjä akkupaketteja ja latureita. Muiden akkupakettien ja laturien käyttäminen voi aiheuttaa loukkaantumisen ja/tai tulipalon.





Suosittelu johdollinen virtalähde

Kannettava tehoyksikkö	PDC01
------------------------	-------

- Edellä luetellut johdolliset virtalähteet eivät ehkä ole saatavana asuinalueellasi.
- Lue johdollisen virtalähteen käyttöohjeet ja tutustu siinä oleviin varoituseräilymerkkeihin ennen sen käyttämistä.

Symbolit

Laitteessa on mahdollisesti käytetty seuraavia symboleja. Opettele niiden merkitys ennen käyttöä.

	Lue käyttöohje.
	Käytä silmäsuojauksa.
	VAARA – pidä kädet pois terän tieltä.
	Älä altista laitetta kosteudelle.



Koskee vain EU-maita
Käytetyillä sähkö- ja elektroniikkalaitteilla, paristoilla ja akuilla voi olla negatiivisia ympäristö- ja terveysvaikutuksia niissä käytettyjen haitallisten osien takia.
Älä hävitä sähkö- ja elektroniikkalaitteita tai akkuja kotitalousjätteen mukana!
Vanhoja sähkö- ja elektroniikkalaitteita, paristoja ja akkuja koskevan EU-direktiivin ja sen perusteella laadittujen kansallisten lakien mukaan käytetyt sähkö- ja elektroniikkalaitteet, paristot ja akut on kierrätettävä toimittamalla ne erilliseen, ympäristönsuojelusäädösten mukaisesti toimivaan kierrätyspisteeseen.
Tämä on ilmaistu laitteessa olevalla yliviedetyllä roska-astian symbolilla.



EU:n ulkona käytettävien laitteiden melupäästöjä koskevan direktiivin mukainen taattu äänitehotaso.



Australian Uuden Etelä-Walesin osavaltion melutasolainsäädännön mukainen äänitehotaso

Käyttötarkoitus

Laitte on tarkoitettu pensasaitojen leikkaamiseen.

Melutaso

Soveltuva standardi : EN62841-4-2

Malli	Äänenpainetaso		Äänitehotaso	
	L _{pA} (dB (A))	Epävarmuus K (dB (A))	L _{WA} (dB (A))	Epävarmuus K (dB (A))
DUH506	77	3	88	3
DUH606	79	3	90	3

HUOMAA: Ilmoitetut melutasoarvot on mitattu standarditestausten menetelmän mukaisesti ja niiden avulla voidaan vertailla työkaluja keskenään.

HUOMAA: Ilmoitettuja melutasoarvoja voidaan käyttää myös altistumisen alustavaan arviointiin.

VAROITUS: Käytä kuulosuojaimia.

VAROITUS: Sähkötyökalun käytön aikana mitattu melutasoarvo voi poiketa ilmoitetuista arvoista laitteen käyttötavan ja erityisesti käsiteltävän työkalupaleen mukaan.

VAROITUS: Selvitä käyttäjän suojaamiseksi tarvittavat varoitimet todellisissa käyttöolosuhteissa tapahtuvan arvioidun altistumisen mukaisesti (ottaen huomioon käyttöjakso kokonaisuudessaan, myös jaksot, joiden aikana laite on sammutettuna tai käy tyhjäkäynnillä).

Tärinä

Kokonaistärinä (kolmen akselin vektorien summa) määräytyy standardin EN62841-4-2 mukaan:

Malli	Etukahva		Takakahva	
	ah (m/s ²)	Epävarmuus-tekijä K (m/s ²)	ah (m/s ²)	Epävarmuus-tekijä K (m/s ²)
DUH506	2,5 m/s ² tai alhaisempi	1,5	2,5 m/s ² tai alhaisempi	1,5
DUH606	2,5 m/s ² tai alhaisempi	1,5	2,5 m/s ² tai alhaisempi	1,5

HUOMAA: Ilmoitetut kokonaistärinäarvot on mitattu standarditestausten menetelmän mukaisesti ja niiden avulla voidaan vertailla työkaluja keskenään.

HUOMAA: Ilmoitettuja kokonaistärinäarvoja voidaan käyttää myös altistumisen alustavaan arviointiin.

VAROITUS: Sähkötyökalun käytön aikana mitattu todellinen tärinäpäästöarvo voi poiketa ilmoitetuista arvoista laitteen käyttötavan ja erityisesti käsiteltävän työkalupaleen mukaan.

VAROITUS: Selvitä käyttäjän suojaamiseksi tarvittavat varoitimet todellisissa käyttöolosuhteissa tapahtuvan arvioidun altistumisen mukaisesti (ottaen huomioon käyttöjakso kokonaisuudessaan, myös jaksot, joiden aikana laite on sammutettuna tai käy tyhjäkäynnillä).

EY-vaatimusten mukaisuusvakuutus

Koskee vain Euroopan maita

EY-vaatimusten mukaisuusvakuutus on liitetty tähän käyttöoppaaseen.

TURVAVAROITUKSET

Sähkötyökalujen käyttöä koskevat yleiset varoitukset

VAROITUS: Tutustu kaikkiin tämän sähkötyökalun mukana toimitettuihin varoituksiin, ohjeisiin, kuviin ja teknisiin tietoihin. Seuraavassa lueteltujen ohjeiden noudattamatta jättäminen saattaa johtaa sähköiskuun, tulipaloon tai vakavaan vammautumiseen.

Säilytä varoitukset ja ohjeet tulevaa käyttöä varten.

Varoituksissa käytettävällä termillä "sähkötyökalu" tarkoitetaan joko verkkovirtaa käyttävää (johdollista) työkalua tai akkukäyttöistä (johdotonta) työkalua.

Akkukäyttöisen pensasleikkurin turvallisuusohjeet

- Pidä kaikki kehon osat kaukana leikkuuterästä. Älä poista leikattua ainesta tai pidä leikattavasta kohteesta kiinni leikkuuterien liikkuvasta.** Terät jatkavat liikkumista kytkimen sammuttamisen jälkeen. Hetkellisenkin huolimattomuus pensasleikkurin käytön aikana voi aiheuttaa vakavan henkilövahingon.
- Kanna pensasleikkuria kahvasta siten, että terä on pysäytetty ja varo, että et käytä mitään virtakytkintä.** Pensasleikkurin oikeanlainen kantaminen pienentää riskiä sen vahingossa käynnistymisestä ja sitä, että terät voisivat aiheuttaa henkilökohtaisia vahinkoja.
- Aseta pensasleikkurin teräsuojus paikalleen aina kuljetuksen ja varastoinnin ajaksi.** Pensasleikkurin asianmukainen käsittely vähentää terien aiheuttamien henkilövahinkojen mahdollisuutta.
- Kun puhdistat tukoksia tai huollat yksikköä, varmista, että virtakytkimet on sammutettu ja akkupaketti on poistettu tai irrotettu.** Pensasleikkurin odottamaton käynnistyminen tukosten puhdistamisen tai huollon aikana voi saada aikaan vakavia henkilövahinkoja.
- Pidä pensasleikkurista kiinni vain sen eristetyistä tartuntapinnoista, sillä terä saattaa osua piilossa oleviin johtoihin.** Jos terät osuvat jännitteelliseen johtoon, jännite voi siirtyä pensasleikkurin sähköä johtaviin metalliosiin ja aiheuttaa käyttäjälle sähköiskun.
- Pidä kaikki virtajohdot ja kaapelit poissa leikkualueelta.** Virtajohdot tai kaapelit voivat jäädä aitojen tai pensaiden taakse näkymättömiin, jolloin terä voi katkaista ne.
- Älä käytä pensasleikkuria huonoissa sääolosuhteissa, varsinkin ukkosella salamaniskun vaaran takia.** Tämä pienentää salamaniskun riskiä.
- Kun ojennat pensasleikkurin toiselle, laske se ensin maahan ja nosta se vasta irrotettuasi kokonaan otteesi.** Ojentaessasi pensasleikkurin tartut sekä etukahvaan että takakahvaan samanaikaisesti, jolloin pensasleikkuri voi käynnistyä vahingossa. Tahaton käynnistyminen voi aiheuttaa vakavan vamman.

Lisäturvallisuusohjeet

Valmistelu

- Tarkista ennen laitteen käytön aloittamista, ettei aidoissa tai pensaisissa ole muuta kuin oksastoa, kuten verkkoaitaa tai piilossa olevia johtoja.**
- Työkalua ei saa käyttää lasten tai alle 18-vuotiaiden nuorten toimesta.** Poikkeustapauksissa käyttö voidaan sallia myös 16 vuotta täyttäneille, jos he opettelevat leikkurin käyttöä asiantuntevan aikuisen valvonnassa.
- Kokemattomien käyttäjien on hyvä pyytää neuvoja kokeneilta työkalun käyttöä koskien.**
- Käytä työkalua vain, jos olet hyvässä fyysisessä kunnossa.** Huomiokyky heikkenee väsymyksen myötä. Noudata erityistä varovaisuutta työpäivän lopulla. Työskentele rauhallisesti ja varovaisesti. Käyttäjä on vastuussa ulkopuolisille aiheutuvista kaikista vahingoista.

- Älä koskaan käytä työkalua alkoholin, huumeiden tai lääkkeiden vaikutuksen alaisena.**
- Paksut nahkakäsineet ovat työkalun perusvarusteita ja niitä on käytettävä aina sen käytön aikana.** Käytä myös tukevia ja luistamattomilla pohjilla varustettuja jalkineita.
- Varmista, että työkalu on asianmukaisessa toimintakunnossa ennen työskentelyn aloittamista.** Varmista, että suojukset ovat oikein paikoillaan. Työkalua ei saa käyttää, jos kaikki osat eivät ole paikallaan.

Käyttö

- Pidä työkalusta tukevasti kahdella kädellä sen käytön aikana.**
- Työkalu on tarkoitettu käytettäväksi käytäjänsä toimesta maan tasalla. Älä käytä työkalua tikapuilla tai muun epävakaan tuen varassa.**
- VAARA - Pidä kädet kaukana terästä.** Teräkosketus voi aiheuttaa vakavan henkilövahingon.
- Älä käytä työkalua sateella, märissä tai muutoin kosteissa olosuhteissa.** Sähkämoottori ei ole vesitiivis.
- Varmista, että tasapainosi on luotettava ennen työskentelyn aloittamista.**
- Älä käytä laitetta tarpeettomasti kuormittamattomana.**
- Sammuta työkalu välittömästi ja irrota akkupaketti, jos leikkuuterät osuvat aitaan tai johonkin muuhun kovaan kohteeseen.** Tarkista terien kunto ja vaihda terät välittömästi, jos ne ovat vaurioituneet.
- Sammuta työkalu ja irrota akkupaketti aina, ennen kuin tarkistat leikkuuterät, korjaat vikoja tai poistat leikkurin juuttunutta materiaalia.**
- Älä koskaan suuntaa leikkuuterää itseäsi tai sivullisia kohti.**
- Jos terät lakkaavat liikkumasta, koska niiden väliin juuttuu vierasesine käytön aikana, sammuta laite, irrota sen akkupaketti ja poista sitten vierasesineet asianmukaisella työkalulla, kuten pihdeillä.** Vierasesineiden poistaminen käsin voi aiheuttaa henkilövahinkoja, koska terät voivat liikkua vierasesineiden poistamisen seurauksena.

Sähköturvallisuus ja akku

- Vältä vaarallisia ympäristöjä. Älä käytä työkalua kosteissa tai märissä paikoissa äläkä altista sitä sateelle.** Työkalun sisään päässyt vesi lisää sähköiskun vaaraa.
- Älä hävitä akkuja polttamalla.** Akkukenno voi räjähtää. Tarkista, onko paikallisissa määräyksissä erityisiä laitteita koskevia hävitysohjeita.
- Älä avaa tai riko akkuja.** Akusta mahdollisesti vuotava elektrolyytti on syövyttävää ja saattaa vaurioittaa ihoa tai silmiä. Se saattaa olla myrkyllistä nieltynä.
- Älä lataa akkua sateessa tai kosteissa olosuhteissa.**
- Älä lataa akkua ulkona.**
- Älä käsittele laturia tai sen liitinosaa ja latausliittimiä märin käsin.**

Kunnossapito ja säilytys

1. Sammuuta työkalu ja irrota akkupaketti ennen minkään huoltotyön suorittamista.
2. Irrota akkupaketti ja aseta teräsuojus leikkuuterien päälle aina, kun siirrät työkalua toiseen paikkaan, myös työskentelyn aikana. Älä koskaan kannata tai kuljeta työkalua terien ollessa käynnissä. Älä koskaan tartu teriin käsilläsi.
3. Puhdista työkalu ja erityisesti leikkuuterät käytön jälkeen sekä silloin, kun viet työkalun pitkäksi aikaa säilytykseen. Öljyä terät kevyesti ja aseta teräsuojus paikalleen.
4. Säilytä työkalua kuivassa huoneessa teräsuojuksen ollessa leikkuuterän päällä. Pidä leikkuri lasten ulottumattomissa. Älä koskaan säilytä työkalua ulkotiloissa.
5. Älä hävitä akkua (akkuja) polttamalla. Akkukenko voi räjähtää. Tarkista, onko paikallisissa määräyksissä erityisiä laitetta koskevia hävitysohjeita.
6. Älä avaa tai riko akkua (akkuja). Akusta mahdollisesti vuotava elektrolyytti on syövyttävää ja saattaa vaurioittaa ihoa tai silmiä. Se saattaa olla myrkyllistä nieltynä.
7. Älä lataa akkua sateessa tai kosteissa olosuhteissa.

SÄILYTÄ NÄMÄ OHJEET.

VAROITUS: ÄLÄ anna työkalun helppokäyttöisyyden (toistuvan käytön aikaansaama) johtaa sinua väärään turvallisuuden tunteeseen niin, että laiminlyöt työkalun turvaohjeiden noudattamisen. VÄÄRINKÄYTTÖ tai tässä käyttöohjeessa ilmoitettujen turvamääräysten laiminlyönti voi aiheuttaa vakavia henkilövahinkoja.

Akkupakettia koskevia tärkeitä turvaohjeita

1. Ennen akun käyttöönottoa tutustu kaikkiin laturissa (1), akussa (2) ja akkukäyttöisessä tuotteessa (3) oleviin varoitusteksteihin.
2. Älä pura tai peukalo imuria akkupakettia. Se voi johtaa tulipaloon, ylikuumentumiseen tai räjähdykseen.
3. Jos akun toiminta-aika lyhenee merkittävästi, lopeta akun käyttö. Seurauksena voi olla ylikuumentuminen, palovammoja tai jopa räjähdys.
4. Jos akkuneustettua pääsee silmiin, huuhtelee puhtaalla vedellä ja hakeudu välittömästi lääkärin hoitoon. Akkuneuste voi aiheuttaa näön menetyksen.
5. Älä oikosulje akkua.
 - (1) Älä koske akun napoihin millään sähköä johtavalla materiaalilla.
 - (2) Vältä akun oikosulkemista äläkä säilytä akkua yhdessä muiden metalliesineiden, kuten naulojen, kolikoiden ja niin edelleen kanssa.
 - (3) Älä aseta akkua alttiiksi vedelle tai sateelle.

Oikosulku voi aiheuttaa virtapiikin, ylikuumentumista, palovammoja tai laitteen rikkoontumisen.

6. Älä säilytä ja käytä työkalua ja akkupakettia paikassa, jossa lämpötila voi nousta 50 °C:een (122 °F) tai korkeammaksi.
7. Älä hävitä akkua polttamalla, vaikka se olisi pahoin vaurioitunut tai täysin loppuun kulunut. Avotuli voi aiheuttaa akun räjähtämisen.
8. Älä naulaa, leikkaa, purista, heitä tai pudota akkupakettia tai iske sitä kovia esineitä vasten. Tällaiset toimet voivat johtaa tulipaloon, ylikuumentumiseen tai räjähdykseen.
9. Älä käytä viallista akkua.
10. Sisältyviä litium-ioni-akkuja koskevat vaarallisten aineiden lainsäädännön vaatimukset. Esimerkiksi kolmansien osapuolten huolintaliikkeiden tulee kaupallisissa kuljetuksissa noudattaa pakkaamista ja merkintöjä koskevia erityisvaatimuksia. Lähetettävän tuotteen valmistelu edellyttää vaarallisten aineiden asiantuntijan neuvontaa. Huomioi myös mahdollisesti yksityiskohtaisemmat kansalliset määräykset. Akun avoimet liittimet tulee suojata teipillä tai suojuksella ja pakkaaminen tulee tehdä niin, ettei akku voi liikkua pakkauksessa.
11. Kun akkupaketti on hävitettävä, poista se laitteesta ja hävitä se turvallisesti. Hävitä akku paikallisten määräysten mukaisesti.
12. Käytä akkuja vain Makitan ilmoittamien tuotteiden kanssa. Akkujen asentaminen yhteensopimattomiin tuotteisiin voi aiheuttaa tulipalon, liiallisen ylikuumentumisen, räjähdyksen tai akkuneustevuotoja.
13. Jos laitetta ei käytetä pitkään aikaan, akku on poistettava laitteesta.
14. Akkupaketin lämpötila voi käytön aikana ja sen jälkeen nousta niin kuumaksi, että se voi aiheuttaa palovammoja tai lieviä palovammoja. Käsittele kuumia akkupaketteja huolellisesti.
15. Älä kosketa työkalun liittintä välittömästi käytön jälkeen, sillä se voi olla riittävän kuuma aiheuttamaan palovammoja.
16. Älä päästä lastuja, pölyä tai maata akkupaketin liittimiin, aukkoihin ja uriin. Se voi johtaa työkalun tai akkupaketin lämpenemiseen, syttymiseen, purkautumiseen tai toimintahäiriöön, mikä voi aiheuttaa palovammoja tai vammoja.
17. Ellei työkalu tue käyttöä korkeajännitelinjojen lähellä, älä käytä akkupakettia korkeajännitelinjojen lähellä. Se voi johtaa työkalun tai akkupaketin toimintahäiriöön tai rikkoontumiseen.
18. Pidä akku pois lasten ulottuvilta.

SÄILYTÄ NÄMÄ OHJEET.

HUOMIO: Käytä vain alkuperäisiä Makita-akkuja. Muiden kuin aitojen Makita-akkujen, tai mahdollisesti muutettujen akkujen käyttö voi johtaa akun murtumiseen ja aiheuttaa tulipaloja, henkilö- ja omaisuusvahinkoja. Se mitätöi myös Makita-työkalun ja -laturin Makita-takuun.

Vihjeitä akun käyttöiän pidentämiseksi

1. Lataa akku ennen kuin se purkautuu täysin. Lopeta aina työkalun käyttö ja lataa akku, jos huomaat työkalun tehon vähenevän.
2. Älä koskaan lataa uudestaan täysin ladattua akkua. Yliilataaminen lyhentää akun käyttöikää.
3. Lataa akku huoneen lämpötilassa välillä 10 °C - 40 °C. Anna kuumen akun jäähtyä ennen lataamista.
4. Irrota akkupaketti työkalusta tai laturista, kun sitä ei käytetä.
5. Lataa akkupaketti, jos et käytä sitä pitkään aikaan (yli kuusi kuukautta).

TOIMINTOJEN KUVAUS

⚠️HUOMIO: Varmista aina ennen säätöjä ja tarkastuksia, että työkalu on sammutettu ja akkupaketti irrotettu.

Akun asentaminen tai irrottaminen

⚠️HUOMIO: Sammuta työkalu aina ennen akun kiinnittämistä tai irrottamista.

⚠️HUOMIO: Pidä työkalusta ja akusta tiukasti kiinni, kun irrotat tai kiinnität akkua. Jos akkupaketti tai työkalu putoaa, ne voivat vaurioitua tai aiheuttaa tapon.

- **Kuva1:** 1. Punainen ilmaisin 2. Painike
3. Akkupaketti

Irrota akku painamalla akun etupuolella olevaa painiketta ja vetämällä akku ulos työkalusta.

Akkupaketti asetetaan paikalleen sovittamalla akkupaketin kieleke rungon uraan ja työntämällä se sitten paikalleen. Työnnä se pohjaan asti niin, että kuulet sen napsautavan paikoilleen. Jos näet kuvan mukaisen punaisen ilmaisimen, lukitus ei ole täysin pitävä.

⚠️HUOMIO: Työnnä akkupaketti aina pohjaan asti, niin että punainen ilmaisin ei enää näy. Jos akkupaketti ei ole kunnolla paikallaan, se voi pudota työkalusta ja aiheuttaa vammoja joko sinulle tai sivullisille.

⚠️HUOMIO: Älä käytä voimaa akun asennuksessa. Jos akku ei liu'u paikalleen helposti, se on väärässä asennossa.

Akun jäljellä olevan varaustason ilmaisin

Vain akkupaketeille ilmaisimella

► **Kuva2:** 1. Merkkivalot 2. Tarkistuspainike

Painamalla tarkistuspainiketta saat näkyviin akun jäljellä olevan varausten. Merkkivalot palavat muutaman sekunnin ajan.

Merkkivalot			Akussa jäljellä olevan varaus
Palaa	Pois päältä	Vilkkuu	
■ ■ ■ ■			75% - 100%
■ ■ ■ □			50% - 75%
■ ■ □ □			25% - 50%
■ □ □ □			0% - 25%
◻ □ □ □			Lataa akku.
■ ■ □ □			Akussa on saattanut olla toimintahäiriö.
□ □ ■ ■			

HUOMAA: Ilmoitettu varaustaso voi erota hieman todellisesta varaustasosta sen mukaan, millaisissa oloissa ja missä lämpötilassa laitetta käytetään.

HUOMAA: Ensimmäinen (vasemmanpuoleisin) merkkivalo vilkkuu, kun akun suojausjärjestelmä on toiminnassa.

Työkalun/akun suojausjärjestelmä

HUOMAUTUS: Käyttöolosuhteista riippuen työkalu sammuu automaattisesti ilman mitään ilmoitusta, jos työkaluun tarttuu oksia tai roskia. Kytke tällöin työkalu pois päältä, irrota akkupaketti ja irrota sitten juuttuneet oksat tai roskat pihdeillä tai muilla työkaluilla. Kun oksat tai roskat on poistettu, asenna akkupaketti paikalleen ja käynnistä työkalu uudelleen.

Työkalu on varustettu työkalu/akun suojausjärjestelmällä. Tämä järjestelmä pidentää työkalun ja akun käyttöikää katkaisemalla automaattisesti moottorin virran. Työkalu pysähtyy automaattisesti kesken käytön, jos työkalussa tai akussa ilmenee jokin seuraavista tilanteista:

Ylikuormitussuoja

Kun työkalua tai akkua käytetään tavalla, joka saa sen kuluttamaan epätavallisen suuren määrän virtaa, työkalu pysähtyy automaattisesti. Katkaise tässä tilanteessa työkalusta virta ja lopeta työkalun ylikuormitustilan aiheuttanut käyttö. Käynnistä sitten työkalu uudelleen kytkemällä siihen virta.

Ylikuumenemissuoja

Kun työkalu tai akku ylikuumenee, työkalu pysähtyy automaattisesti. Anna tällöin työkalun ja akun jäähtyä, ennen kuin kytket työkaluun uudelleen virran.

Ylipurkautumissuoja

Kun akun varaus on riittämätön, työkalu pysähtyy automaattisesti. Irrota silloin akku työkalusta ja lataa se.

Suojaus muilta haitallisilta tapahtumilta

Suojausjärjestelmä on suunniteltu suojaamaan työkalu myös muilta tapahtumilta, jotka voisivat vahingoittaa työkalua, ja pysäyttämään työkalu automaattisesti tällaisissa tapauksissa. Kun työkalu tai sen toiminta on pysähtynyt tilapäisesti, poista pysäytyksen syyt seuraavien vaiheiden mukaisesti.

1. Käynnistä työkalu uudelleen sammuttamalla se ja kytkemällä se sitten uudelleen päälle.
2. Lataa akut tai vaihda ne ladattuihin akkuihin.
3. Anna koneen ja akkujen jäähtyä.

Jos suojausjärjestelmän nollaaminen ei korjaa tilannetta, ota yhteys paikalliseen Makita-huoltoon.

HUOMAUTUS: Jos työkalu pysähtyy muusta kuin yllä kuvatusista syistä, katso vianmääritysosiota.

Kytkimen käyttäminen

VAROITUS: Työkalussa on turvallisuutesi vuoksi kytkinvipu, joka estää työkalun tahattoman käynnistymisen. ÄLÄ koskaan käytä työkalua, jos se käynnistyy pelkästään liipaisinkytkimestä vetämällä ilman, että kytkinvipua painetaan. Toimita työkalu valtuutettuun huoltoon korjattavaksi ENNEN KUIN jatkat sen käyttöä.

VAROITUS: ÄLÄ koskaan teippaa tai ohita kytkinvivun toimintaa.

VAROITUS: Varmista aina ennen akkupaketin asentamista laitteeseen, että liipaisinkytkin ja kytkinvipu toimivat moitteettomasti ja palautuvat vapautettaessa asentoon "OFF". Jos laitetta käytetään, vaikka kytkin ei toimi moitteettomasti, seurauksena voi olla vakava henkilövahinko.

HUOMIO: Älä koskaan pidä sormeja kytkimellä kantaessasi työkalua. Työkalu voi käynnistyä odottamattomasti ja aiheuttaa tapaturman.

Kun aiot käynnistää työkalun, pitele etukahvasta ja paina samalla kytkinvipua ja vedä liipaisinkytkimestä. Työkalu pysäytetään vapauttamalla liipaisinkytkin tai kytkinvipu.

► **Kuva3:** 1. Etukahva 2. Kytkinvipu 3. Liipaisinkytkin

Merkkivalo

► **Kuva4:** 1. Merkkivalo

Merkkivalo vilkkuu tai palaa, kun akun varaus vähenee tai työkalu on ylikuormitettu. Katso seuraavasta taulukosta tila ja suoritettava toimenpide.

Merkkivalo	Tila	Suoritettava toimenpide
Valo vilkkuu punaisena.	Akun jäljellä oleva varaus on pieni.	Lataa akku uudelleen tai vaihda akku ladattuun.
Valo palaa punaisena.	Akku on tyhjä.	Lataa akku uudelleen tai vaihda akku ladattuun.
	Työkalu on pysähtynyt ylikuormituksen takia.	Sammuta työkalu ja poista ylikuormituksen syy.
	Työkalu on pysähtynyt ylikuumenemisen takia.	Katkaise työkalusta virta ja anna työkalun ja akun jäähtyä.

HUOMAA: Aika, jonka merkkivalo vilkkuu tai palaa, vaihtelee työalueen ympäristön lämpötilan ja akkupaketin kunnon mukaan.

Sähköinen toiminta

Työkalu on varustettu sähköisillä toiminnoilla helppokäyttöisyyttä ajatellen.

- Vakionopeuden säätö
Vakionopeuden säätö mahdollistaa vakiopyörimisnopeuden kuormitusolosuhteista riippumatta.
- Sähköjarru
Tämä työkalu on varustettu sähköjarrulla. Jos työkalun terä toistuvasti pysähtyy hitaasti, kun liipaisinkytkin vapautetaan, huollata työkalu valtuutetussa Makita-huoltoilikkeessä.
- Vahinkokäynnistyksen estotoiminto
Työkalu ei käynnisty, vaikka liipaisinkytkintä painettaisiin akkupaketin asennuksen aikana. Voit käynnistää työkalun vapauttamalla liipaisinkytkimen ja painamalla sitä sitten uudelleen.

KOKOONPANO

HUOMIO: Varmista aina ennen mitään työkalulle tehtäviä toimenpiteitä, että se on sammutettu ja akku irrotettu.

HUOMIO: Leikkuuterän vaihtamisen aikana tulee aina käyttää käsineitä, jotta terä ei pääse kosketuksiin paljaiden käsien kanssa.

HUOMAUTUS: Leikkuuterien vaihdon aikana älä pyyhi rasvaa pois hammaspyöristä ja kammesta.

Leikkuuterän kiinnittäminen ja irrottaminen

⚠HUOMIO: Kiinnitä teräsuojus paikalleen ennen leikkuuterien irrottamista tai asentamista.

Työkaluun voi asentaa 500 mm:n tai 600 mm:n leikkuuterät.

1. Aseta teräsuojus paikalleen leikkuuteriin.
▶ **Kuva5:** 1. Teränsuojus
2. Käännä työkalu ylösalaisin ja irrota sitten 6 pulttia, kansi ja levy.
▶ **Kuva6:** 1. Pultti 2. Suoja 3. Levy

HUOMAA: Levy voi jäädä suojukseen.

3. Käännä kampea ristipääruuvitalalla niin, että 2 reikää ovat kohtisuorassa leikkuuterien suhteen.
▶ **Kuva7:** 1. Kampi 2. Reikä
4. Irrota 2 pulttia, huopatyyyny ja holkit ja irrota sitten leikkuuterät.
▶ **Kuva8:** 1. Huopatyyyny 2. Pultti 3. Holkki
4. Leikkuuterä
5. Irrota teränsuojus ja kiinnitä se sitten uusiin leikkuuteriin.
▶ **Kuva9:** 1. Teränsuojus
6. Kohdista leikkuuterien takareunat kuvan mukaisesti.
▶ **Kuva10:** 1. Takareuna
7. Liu'uta leikkuuteriä hieman kuvan mukaisesti ja kiinnitä sitten holkit leikkuuteriin.
▶ **Kuva11:** 1. Holkki
8. Liu'uta teränsuojusta hieman leikkuuterien kerkeä kohti ja kiinnitä sitten leikkuuterät työkaluun.
▶ **Kuva12:** 1. Leikkuuterä

HUOMAUTUS: Levitä pieni määrä rasvaa leikkuuterien reiän sisäpintaan.

HUOMAUTUS: Varo, ettet hukkaa holkkeja.

9. Liu'uta leikkuuteriä ja holkkeja niin, että holkkien reiät ovat työkalun reikien kohdalla.
▶ **Kuva13:** 1. Reikä työkalussa 2. Reikä holkissa
10. Kiinnitä leikkuuterät kiristämällä pultit.
▶ **Kuva14:** 1. Pultti
11. Kiinnitä huopatyyyny leikkuuteriin.
▶ **Kuva15:** 1. Huopatyyyny
12. Kiinnitä levy.
▶ **Kuva16:** 1. Levy
13. Kiinnitä suoja ja kiristä sitten 6 pulttia.
▶ **Kuva17:** 1. Pultti 2. Suoja

HUOMAUTUS: Elleivät leikkuuterät liiku vaikeuksitta, ne eivät ole kunnolla kiinni kammassa. Asenna leikkuuterät uudelleen.

HUOMAUTUS: Jos leikkuuterien lisäksi muut osat, kuten kampi, ovat kuluneet, kysy varaosia tai huoltopalveluja valtuutetusta Makita-huoltoliikkeestä.

Lehdenkerääjän asentaminen ja irrottaminen

Lisävaruste

⚠HUOMIO: Käytä aina lehdenkerääjää kiinnittämisen tai irrottamisen aikana käsineitä, jotta leikkuuterä ei pääse kosketuksiin paljaiden käsien kanssa.

HUOMAUTUS: Teräkoteloa ei voi asentaa, kun lehdenkerääjä on asennettuna laitteeseen. Irrota lehdenkerääjä ja aseta teräkotelon paikalleen ennen laitteen kantamista tai varastointia.

HUOMAUTUS: Muista irrottaa teräkotelon, ennen kuin kiinnität lehdenkerääjän.

Lehdenkerääjä kerää jätälehdet ja helpottaa siivoamista jälkeensä. Se voidaan asentaa kummalle puolelle laitetta tahansa.

1. Kohdista lehdenkerääjän reiät leikkuuterien reikiin.
▶ **Kuva18:** 1. Ruuvi
2. Kiinnitä lehdenkerääjän leuat leikkuuterien uraan.
▶ **Kuva19:** 1. Leuka 2. Ura
3. Paina lehdenkerääjän vipuja ja kiinnitä sitten toisella puolella olevat leuat leikkuuterien uraan.
▶ **Kuva20:** 1. Vipu

Lehdenkerääjä irrotetaan painamalla vipuja leukojen irrottamiseksi.

- ▶ **Kuva21:** 1. Vipu

HUOMAUTUS: Älä yritä irrottaa lehdenkerääjää väkisin, kun sen koukut ovat lukittuneina leikkuuterässä.

TYÖSKENTELY

⚠VAROITUS: Pidä kädet poissa leikkuuterän ulottuvilta.

⚠HUOMIO: Vältä laitteen käyttämistä erittäin kuumissa sääolosuhteissa. Vältä ylirasittumista, kun käytät laitetta.

⚠HUOMIO: Huolehdi, että leikkurin terä ei osu metalliintaan tai muuhun kovaan esineeseen työskenelyn aikana. Muutoin leikkuuterä voi rikkoontua ja aiheuttaa vammoja.

⚠HUOMIO: Älä anna leikkuuterien koskettaa maata laitteen käytön aikana. Laitte voi aiheuttaa takaiskun ja aiheuttaa tapaturmia.

⚠HUOMIO: Pensasleikkurin kanssa kurkottelemisen, erityisesti tikkailla seisottaessa on erittäin vaarallista. Älä käytä leikkuria epävakailla alustoilla.

HUOMAUTUS: Älä leikkaa tällä leikkurilla halkaisijaltaan yli 10 mm:n oksia. Leikkaa oksat oksaksilla 10 cm alemmaksi kuin itse leikkuukorkeus ennen tämän laitteen käyttämistä.

- ▶ **Kuva22:** (1) Leikkuukorkeus (2) 10 cm

HUOMAUTUS: Älä leikkaa kuolleita puita tai mitään vastaavia kovia kohteita. Muussa tapauksessa laite voi vaurioitua.

HUOMAUTUS: Älä leikkaa nurmikkoa tai rikkaruohoja leikkuuterällä. Ruoho tai rikkaruohot voivat takertua leikkuuterään.

Pidä työkalusta kiinni molemmilla käsillä, pitele etukavasta, paina kytkinvipua ja vedä liipaisinkytkintä samalla, kun liikutat työkalua eteenpäin.

► Kuva23

Perustasoitus tapahtuu siten, että leikkuuterää kallis-tetaan leikkuusuuntaan samalla, kun terää liikutetaan rauhallisesti ja hitaasti eteenpäin nopeudella 3–4 sekuntia/metri.

► Kuva24

Pensaan tasoittamista helpottaa, kun sen päälle sidotaan halutulle leikkuukorkeudelle ohjauslanka, jota seuraten pensas leikataan.

► Kuva25

Jos lehdenkerääjä on kiinnitetty leikkuuterään, se kerää jätelehdet ja helpottaa siivoamista jälkeensä.

► Kuva26

Leikkaa pensaan sivut tasaiseksi aloittamalla alhaalta ylöspäin.

► Kuva27

Leikkatessa pyöreitä muotoja (puksipuu tai alppiruusu jne.), leikkaa juuresta ylöspäin kauniin lopputuloksen saavuttamiseksi.

► Kuva28

KUNNOSSAPITO

HUOMIO: Varmista aina ennen tarkastusta tai huoltoa, että työkalu on sammutettu ja akku irrotettu.

Tuotteen TURVALLISUUDEN ja LUOTETTAVUUDEN takaamiseksi korjaukset, muut huoltotyöt ja säädöt on teetettävä Makitan valtuutetussa huoltopisteessä Makitan varaosia käyttäen.

Laitteen puhdistaminen

Puhdista laite pyyhkimällä pölyt kuivalla liinalla tai kostuta liina saippuaveteen ja rutista kuivaksi.

HUOMAUTUS: Älä koskaan käytä bensiiniä, ohenteita, alkoholia tai tms. aineita. Muutoin pinta voi halkeilla tai sen värit ja muoto voivat muuttua. Muutoin laitteeseen voi tulla värjäytyimiä, muodon vääristymiä tai halkeamia.

Leikkuuterän huolto

Lisää ennen käyttöä ja käytön aikana tunnin välein matalaviskositeettista öljyä (koneöljyä tai suihkutettavaa voiteluöljyä) leikkuuterään.

► Kuva29

Puhdista käytön jälkeen leikkuuterän molemmat puolet pölystä metalliharjalla, pyyhi leikkuuterä rievulla ja levitä terään sitten matalaviskositeettista öljyä (koneöljyä tai suihkutettavaa voiteluöljyä).

► Kuva30

HUOMAUTUS: Älä pese leikkuuterää vedellä. Se voi aiheuttaa ruostumista tai vaurioittaa laitetta.

HUOMAUTUS: Lika ja korrosio aiheuttavat terien liikakittaisuuden ja lyhentävät käyttöaikaa jokaisen akun latauksen yhteydessä.

Säilytys

Laitteen pohjassa on ripustusreikä, josta laitteen voi kätevästi ripustaa seinässä olevaan naulaan tai ruuviin. Käytä teräsuojusta, jotta leikkuuterät eivät ole paljaana. Säilytä laitetta lasten ulottumattomissa. Säilytä laitetta paikassa, missä se ei altistu kosteudelle tai sateelle.

► Kuva31: 1. Reikä

Leikkuuterän teroittaminen

HUOMAUTUS: Jos teroittaminen vääntää leikkuuterän teriä huomattavasti, vaihda leikkuuterä uuteen.

1. Kiinnitä akkupaketti laitteeseen.
2. Käynnistä laite ja käytä sitä sen verran, että leikkuuterän ylä- ja alaterät asettuvat limittäin.
► Kuva32
3. Sammuta laite ja irrota akkupaketti.
4. Aseta viila 35°:n kulmaan ja teroita viilalla yläterä 2 suunnassa.
► Kuva33: (1) Viila (2) 35°

HUOMIO: Varmista ennen leikkuuterän teroittamista, että laite on sammutettu ja akkupaketti on irrotettu siitä.

5. Käännä työkalu ylösalaisin ja irrota sitten leikkuuterän jäysteet oikaisukivellä.
► Kuva34: 1. Oikaisukivi
6. Aseta viila 35°:n kulmaan ja teroita viilalla alaterä 2 suunnassa.
7. Käännä työkalu takaisin normaaliasentoon ja irrota sitten leikkuuterän jäysteet oikaisukivellä.

Voitelurasvan lisääminen

Voiteluväli: 50 käyttötuntia

1. Irrota pultti reiästä voitelua varten.
► Kuva35: 1. Pultti
2. Irrota suojus rasva-annostelijasta. Kohdista rasva-annostelijan ulkonema kannen reikään ja käännä sitten rasva-annostelijaa niin, että sen ulkonema kiinnittyy reikään.
► Kuva36: 1. Rasva-annostelija 2. Reikä
3. Lisää laitteeseen rasvaa (ohjearvoisesti noin 3 g).
4. Irrota rasva-annostelija.
5. Kiristä pultti.

VIANMÄÄRITYS

Tarkista laite ensin itse, ennen kuin viet sen korjattavaksi. Jos ongelmaan ei löydy ratkaisua käyttöoppaasta, älä kuitenkaan yritä purkaa työkalua osiin. Ota sen sijaan yhteyttä Makita-huoltoliikkeeseen. Käytä korjaamiseen aina alkuperäisiä Makita-varaosia.

Epänormaali tila	Todennäköinen syy (toimintahäiriö)	Korjaus
Moottori ei käy.	Akkupakettia ei ole asennettu.	Kiinnitä akku paikalleen.
	Akkuongelma (alijännite)	Lataa akku. Jos lataaminen ei toimi tehokkaasti, vaihda akku.
	Vetojärjestelmä ei toimi oikein.	Pyydä valtuutettua huoltoliikettäsi korjaamaan laite.
Moottori pysähtyy lyhyen käytön jälkeen.	Akun varaustila on alhainen.	Lataa akku. Jos lataaminen ei toimi tehokkaasti, vaihda akku.
	Ylikuumentuminen.	Lopeta työkalun käyttö ja anna sen jäähtyä.
Työkalu ei saavuta suurinta kierroslukua.	Akkua ei ole asennettu oikein.	Asenna akkupaketti tämän käyttöohjeen ohjeiden mukaan.
	Akun teho laskee.	Lataa akku. Jos lataaminen ei toimi tehokkaasti, vaihda akku.
	Vetojärjestelmä ei toimi oikein.	Pyydä valtuutettua huoltoliikettäsi korjaamaan laite.
Leikkuuterät eivät liiku: ⇒ pysäytä kone välittömästi!	Vieraita esineitä on tarttunut leikkuuterien väliin.	Kytke työkalu pois, irrota akkupaketti ja irrota sitten vierasesineet pihdeillä tai muilla työkaluilla.
	Vetojärjestelmä ei toimi oikein.	Pyydä valtuutettua huoltoliikettäsi korjaamaan laite.
Epänormaali tirinä: ⇒ pysäytä kone välittömästi!	Leikkuuterät ovat rikkinäisiä, taipuneita tai kuluneita.	Vaihda leikkuuterät.
	Vetojärjestelmä ei toimi oikein.	Pyydä valtuutettua huoltoliikettäsi korjaamaan laite.
Leikkuuterät ja moottori eivät pysähdy: ⇒ Poista akku välittömästi!	Sähkövika.	Poista akku ja pyydä valtuutettua huoltoliikettäsi korjaamaan laite.

LISÄVARUSTEET

⚠HUOMIO: Seuraavia lisävarusteita tai laitteita suositellaan käytettäväksi tässä ohjeessa kuvatun Makita-työkalun kanssa. Muiden lisävarusteiden tai laitteiden käyttö voi aiheuttaa henkilövahinkoja. Käytä lisävarusteita ja -laitteita vain niiden käyttötarkoituksen mukaisesti.

Jos tarvitset apua tai yksityiskohtaisempia tietoja seuraavista lisävarusteista, ota yhteys paikalliseen Makitan huoltoon.

- Leikkuuteräkokonaisuus
- Leikkuuteräsuojus
- Lehdenkerääjä
- Rasva-annostelija
- Aito Makita-akku ja -laturi

HUOMAA: Jotkin luettelossa mainitut varusteet voivat sisältyä työkalun toimitukseen vakiovarusteina. Ne voivat vaihdella maittain.

SPECIFIKATIONER

Model:	DUH506	DUH606
Længde af klinger	500 mm	600 mm
Antal slag pr. minut	4.000 min ⁻¹	
Samlet længde (uden batteri)	846 mm	965 mm
Mærkespænding	D.C. 18 V	
Nettovægt	2,5 - 2,9 kg	2,7 - 3,0 kg

- På grund af vores kontinuerlige forsknings- og udviklingsprogrammer kan hosstående specifikationer blive ændret uden varsel.
- Specifikationerne kan variere fra land til land.
- Vægten kan være anderledes afhængigt af tilbehøret, inklusive akkuen. Den letteste og tungeste combination i henhold til EPTA-procedure 01/2014 er vist i tabellen.

Anvendelig akku og oplader

Akku	BL1815N / BL1820B / BL1830B / BL1840B / BL1850B / BL1860B
Oplader	DC18RC / DC18RD / DC18RE / DC18SD / DC18SE / DC18SF / DC18SH / DC18WC

- Nogle af de akkuer og opladere, der er angivet ovenfor, er muligvis ikke tilgængelige, afhængigt af hvilket område du bor i.

⚠ ADVARSEL: Brug kun de akkuer og opladere, der er angivet ovenfor. Brug af andre akkuer og opladere kan medføre personskade og/eller brand.





Anbefalet ledningstilsluttet strømforsyningskilde

Bærbær strømforsyning	PDC01
-----------------------	-------

- Den eller de ovenfor anførte ledningstilsluttede strømforsyningskilder er muligvis ikke tilgængelige, afhængigt af hvilket område du bor i.
- Inden du bruger den ledningstilsluttede strømforsyningskilde, skal du læse instruktionen og advarselmarkeringerne på dem.

Symboler

Følgende viser de symboler, der muligvis anvendes til udstyret. Sørg for, at du forstår deres betydning før brugen.

	Læs betjeningsvejledningen.
	Bær øjenbeskyttelse.
	FARE - Hold hænder væk fra klinger.
	Må ikke udsættes for fugt.



Kun for lande inden for EU

På grund af tilstedeværelsen af farlige komponenter i udstyret kan affald af elektrisk og elektronisk udstyr, akkumulatører og batterier have en negativ indvirkning på miljøet og folkesundheden.

Bortskaf ikke elektriske og elektroniske apparater eller batterier sammen med husholdningsaffald!

I overensstemmelse med EF-direktiv om affaldshåndtering af elektrisk og elektronisk udstyr og om akkumulatører og batterier og affaldsakkumulatører og -batterier, og i overensstemmelse med national lovgivning, skal brugt elektrisk udstyr, batterier og akkumulatører opbevares separat og leveres til et separat indsamlingssted for kommunalt affald, der er etableret i henhold til bestemmelserne om miljøbeskyttelse. Dette er angivet ved symbolet på den krydsede skraldespand, der er placeret på udstyret.



Garanteret lydeffektniveau i henhold til EU-direktivet om maskiner til udendørs brug.



Lydeffektniveau i henhold til Australiens NSW forordning om støjemission

Tilsigtet anvendelse

Maskinen er beregnet til at trimme hække.

Støj

Gældende standard : EN62841-4-2

Model	Lydtrykniveau		Lydeffektniveau	
	L _{PA} (dB(A))	Usikkerhed K (dB(A))	L _{WA} (dB(A))	Usikkerhed K (dB(A))
DUH506	77	3	88	3
DUH606	79	3	90	3

BEMÆRK: De(n) angivne støjemissionsværdi(er) er målt i overensstemmelse med en standardtestmetode og kan anvendes til at sammenligne en maskine med en anden.

BEMÆRK: De(n) angivne støjemissionsværdi(er) kan også anvendes i en præliminær eksponeringsvurdering.

⚠ ADVARSEL: Bær høreværn.

⚠ ADVARSEL: Støjemissionen under den faktiske anvendelse af maskinen kan være forskellig fra de(n) angivne værdi(er), afhængigt af den måde hvorpå maskinen anvendes, især den type arbejdsemne der behandles.

⚠ ADVARSEL: Sørg for at identificere de sikkerhedsforskrifter til beskyttelse af operatøren, som er baseret på en vurdering af eksponering under de faktiske brugsforhold (med hensyntagen til alle dele i brugscykklussen, f.eks. de gange, hvor maskinen er slukket, og når den kører i tomgang i tilgift til afbrydertiden).

Vibration

Vibrationens totalværdi (tre-aksial vektorsum) bestemt i overensstemmelse med EN62841-4-2:

Model	Forreste håndtag		Bageste håndtag	
	ah (m/s ²)	Usikkerhed K (m/s ²)	ah (m/s ²)	Usikkerhed K (m/s ²)
DUH506	2,5 m/s ² eller mindre	1,5	2,5 m/s ² eller mindre	1,5
DUH606	2,5 m/s ² eller mindre	1,5	2,5 m/s ² eller mindre	1,5

BEMÆRK: De(n) angivne totalværdi(er) for vibration er målt i overensstemmelse med en standardtestmetode og kan anvendes til at sammenligne en maskine med en anden.

BEMÆRK: De(n) angivne totalværdi(er) for vibration kan også anvendes i en præliminær eksponeringsvurdering.

⚠ ADVARSEL: Vibrationsemissionen under den faktiske anvendelse af maskinen kan være forskellig fra de(n) angivne værdi(er), afhængigt af den måde hvorpå maskinen anvendes, især den type arbejdsemne der behandles.

⚠ ADVARSEL: Sørg for at identificere de sikkerhedsforskrifter til beskyttelse af operatøren, som er baseret på en vurdering af eksponering under de faktiske brugsforhold (med hensyntagen til alle dele i brugscykklussen, f.eks. de gange, hvor maskinen er slukket, og når den kører i tomgang i tilgift til afbrydertiden).

EF-overensstemmelseserklæring

Kun for lande i Europa

EF-overensstemmelseserklæringen er inkluderet som Bilag A i denne brugsanvisning.

SIKKERHEDSADVARSLER

Almindelige sikkerhedsregler for el-værktøj

⚠ ADVARSEL: Læs alle de sikkerhedsadvarsler, instruktioner, illustrationer og specifikationer, der følger med denne maskine. Forsømmelse af at overholde alle nedenstående instruktioner kan medføre elektrisk stød, brand og/eller alvorlig personskade.

Gem alle advarsler og instruktioner til fremtidig reference.

Ordet "el-værktøj" i advarslerne henviser til det netforsynede (netledning) el-værktøj eller batteriforsynede (akku) el-værktøj.

Sikkerhedsadvarsler for akku hækketrimmer

- Hold alle dele af kroppen væk fra klingen. Undlad at fjerne afskåret materiale eller at holde materiale, der skal skæres, når klingerne bevæger sig.** Klinger fortsætter med at rotere, efter at afbryderen er slået fra. Ved brug af hækketrimmeren kan ét øjeblik uopmærksomhed medføre alvorlig personskade.
- Bær hækketrimmeren i håndtaget med klingens stoppet og pas på ikke at betjene nogen tænd/sluk-knap.** Korrekt bæring af hækketrimmeren reducerer risikoen for utilsigtet start og medfølgende personskade fra klingerne.
- Ved transport eller opbevaring af hækketrimmeren skal klingedækslet altid sættes på.** Korrekt håndtering af hækketrimmeren reducerer risikoen for personskade fra klingerne.
- Når der fjernes fastklemt materiale, eller enheden serviceres, skal du sørge for at alle tænd/sluk-knapper er slukket, og at akkuen er fjernet eller afbrudt.** Uventet aktivering af hækketrimmeren, hvis der fjernes fastklemt materiale eller udføres service, kan muligvis resultere i personskade.
- Hold altid kun i hækketrimmeren i de isolerede grebflader, da klingerne muligvis kan komme i berøring med skjulte ledninger.** Hvis klinger kommer i kontakt med en strømførende ledning, kan udsatte metaldele på hækketrimmeren blive strømførende, hvorved operatøren kan få elektrisk stød.
- Hold alle netledninger væk fra skærområdet.** Netledninger eller kabler kan muligvis være skjult i hække eller buske og kan ved et uheld skæres over af klingens.
- Brug ikke hækketrimmeren i dårligt vejr, især hvis der er risiko for lynnedslag.** Dette reducerer risikoen for, at du rammes af lynnedslag.
- Når du afleverer hækketrimmeren til en anden person, skal du først lægge hækketrimmeren på jorden og samle hækketrimmeren op, når du har fjernet hånden.** Når hækketrimmeren afleveres med hånden, medfører det, at man holder ved både det forreste håndtag og det bageste håndtag på samme tid, hvorefter hækketrimmer starter utilsigtet. Utilsigtet start kan forårsage alvorlig personskade.

Yderligere sikkerhedsinstruktioner

Forberedelse

- Kontrollér hækken og buskene for fremmedlegemer som f.eks. trådhegn eller skjulte ledninger, før maskinen anvendes.**
- Maskinen må ikke anvendes af børn eller unge på under 18 år.** Unge på over 16 år er muligvis undtaget fra denne begrænsning, hvis de er under oplæring under opsyn af en ekspert.

- Førstegangsbrugere bør få en erfaren bruger til at vise dem, hvordan man bruger maskinen.**
- Brug kun maskinen, hvis du er i god fysisk form.** Hvis du er træt, vil din opmærksomhed være reduceret. Vær særligt opmærksom sidst på arbejdsdagen. Udfør alt arbejde roligt og omhyggeligt. Brugeren er ansvarlig for enhver skade på tredjepart.
- Brug aldrig maskinen under indflydelse af alkohol, narkotika eller medicin.**
- Arbejdshandsker af solidt læder er en del af det grundlæggende udstyr til maskinen og skal altid bæres, når du arbejder med den. Bær også solide sko med skridsikre såler.**
- Før du påbegynder arbejdet, skal du kontrollere, at maskinen er i god og sikker arbejdstilstand. Kontroller, at beskyttelsesskærme er monteret korrekt. Maskinen må ikke anvendes, medmindre den er fuldt samlet.**

Drift

- Hold godt fast i maskinen med begge hænder, når du bruger maskinen.**
- Maskinen er kun beregnet til brug af operatøren i jordhøjde. Benyt ikke maskinen på stiger eller noget andet ustabilt underlag.**
- FARE - Hold hænderne på afstand af klingerne.** Kontakt med klingens vil medføre alvorlig personskade.
- Brug ikke maskinen i regnvejr eller under våde eller meget fugtige forhold.** Den elektriske motor er ikke vandtæt.
- Sørg for at have solidt fodfæste, før du starter brugen.**
- Betjen ikke maskinen unødigt uden belastning.**
- Sluk med det samme for maskinen, og fjern akkuen, hvis klingerne kommer i kontakt med et hegn eller en anden hård genstand. Kontroller klingerne for beskadigelse, og udskift klingerne med det samme, hvis de er beskadiget.**
- Før du kontrollerer klingerne, udbedrer fejl eller fjerner materiale, der sidder fast i klingerne, skal du altid slukke for maskinen og fjerne akkuen.**
- Ret aldrig klingerne mod dig selv eller andre.**
- Hvis klingerne holder op med at bevæge sig under brugen på grund af fremmedlegemer, der sidder fast mellem klingerne, skal du slukke for maskinen og fjerne akkuen og derefter fjerne fremmedlegemerne ved hjælp af redskaber som f.eks. en tang.** Hvis du fjerner fremmedlegemerne i hånden, kan det medføre personskade, da klingerne kan bevæge sig som reaktion på fjernelsen af fremmedlegemerne.

Elektrisk sikkerhed og batterisikkerhed

- Undgå farlige miljøer. Brug ikke maskinen på fugtige eller våde steder, og udsæt den ikke for regn.** Hvis der kommer vand ind i maskinen, forøger det risikoen for elektrisk stød.
- Undlad at kaste batterierne i åben ild.** Celler kan eksplodere. Tjek de lokale regler for eventuelle særlige instruktioner vedrørende bortskaffelse.

3. **Undlad at åbne eller mishandle batterierne.** Lækket elektrolyt er ætsende og kan medføre skader på øjnene eller huden. Den kan være giftig, hvis den indtages.
 4. **Undlad at oplade batteriet i regnvejr eller under våde forhold.**
 5. **Oplad ikke batteriet uden døre.**
 6. **Håndter ikke oplader, herunder opladerstik, og opladerterminaler med våde hænder.**
- Vedligeholdelse og opbevaring**
1. **Sluk for maskinen, og fjern akkuen, før du udfører vedligeholdelsesarbejde.**
 2. Når maskinen flyttes til et andet sted, herunder under arbejde, skal du altid fjerne akkuen og sætte klingedækslet på klingerne. Du må aldrig bære eller transportere maskinen, mens klingerne kører. Tag aldrig fat i klingerne med hænderne.
 3. **Rengør maskinen og især klingerne efter brug, og før maskinen lægges til opbevaring i længere tid. Smør klingerne let, og sæt klingedækslet på.**
 4. **Opbevar maskinen med klingedækslet på i et tørt værelse. Hold den utilgængelig for børn. Opbevar aldrig maskinen udenørs.**
 5. **Undlad at kaste batterierne i åben ild. Cellen kan eksplodere. Tjek de lokale regler for eventuelle særlige instruktioner vedrørende bortskaffelse.**
 6. **Undlad at åbne eller mishandle batterierne.** Lækket elektrolyt er ætsende og kan medføre skader på øjnene eller huden. Den kan være giftig, hvis den indtages.
 7. **Undlad at oplade batteriet i regnvejr eller under våde forhold.**

GEM DENNE BRUGSANVISNING.

⚠ ADVARSEL: LAD IKKE bekvemmelighed eller kendskab til produktet (opnået gennem gentagen brug) forhindre, at sikkerhedsforskrifterne for produktet nøje overholdes. MISBRUG eller forsømmelse af at følge de i denne brugsvejledning givne sikkerhedsforskrifter kan føre til, at De kommer alvorligt til skade.

Vigtige sikkerhedsinstruktioner for akkuen

1. **Læs alle instruktioner og advarselmærkater på (1) akku-opladeren, (2) akkuen og (3) produktet, som anvender akku.**
2. **Adskil eller ændr ikke akkuen.** Det kan muligvis resultere i en brand, overdreven varme eller eksplosion.
3. **Hold straks op med anvendelsen, hvis brugstiden er blevet stærkt afkortet. Fortsat anvendelse kan resultere i risiko for overophedning, forbrændinger og endog eksplosion.**
4. **Hvis De har fået elektrolytvæske i øjnene, skal De straks skylle den ud med rent vand og derefter øjeblikkeligt søge lægehjælp. I modsat fald kan De miste synet.**
5. **Vær påpasselig med ikke at komme til at kortslutte akkuen:**
 - (1) **Rør ikke ved terminalerne med noget ledende materiale.**
 - (2) **Undgå at opbevare akkuen i en beholder sammen med andre genstande af metal, for eksempel søm, mønter og lignende.**
 - (3) **Udsæt ikke akkuen for vand eller regn. Kortslutning af akkuen kan forårsage en kraftig øgning af strømmen, overophedning, mulige forbrændinger og endog værktøjstop.**
6. **Opbevar og brug ikke maskinen og akkuen på steder, hvor temperaturen muligvis kan nå eller overstige 50 °C.**
7. **Lad være med at brænde akkuen, selv ikke i tilfælde, hvor den har lidt alvorlig skade eller er fuldstændig udtjent. Akkuen kan eksplodere, hvis man forsøger at brænde den.**
8. **Slå ikke søm i, skær ikke i, knus, kast, tab ikke akkuen og stød ikke akkuen mod en hård genstand. Sådan adfærd kan muligvis resultere i en brand, overdreven varme eller eksplosion.**
9. **Anvend ikke en beskadiget akku.**
10. **De indbyggede litium-ion-batterier er underlagt lovkrav vedrørende farligt gods.** Ved kommerciel transport, f.eks. af tredjeparts transportselskaber, skal særlige krav til forpakning og mærkning overholdes. Ved forberedelse af udstyret til forsendelse skal du kontakte en ekspert i farligt gods. Overhold også eventuel mere detaljeret national lovgivning. Tape eller tildæk åbne kontakter, og pak batteriet på en måde, så det ikke kan flytte sig rundt i pakningen.
11. **Når akkuen bortskaffes, skal du fjerne den fra maskinen og bortskaffe den på et sikkert sted. Følg de lokale love vedrørende bortskaffelsen af batterier.**
12. **Brug kun batterierne med de produkter, som Makita specificerer.** Hvis batterierne installeres i ikke-kompatible produkter, kan det medføre brand, kraftig varme, eksplosion eller udsivning af elektrolyt.
13. **Hvis maskinen ikke skal bruges i længere tid ad gangen, skal du fjerne batteriet fra maskinen.**
14. **Akkuen kan muligvis under og efter brug være varm, hvilket kan forårsage forbrændinger eller lavtemperaturforbrændinger. Vær påpasselig med håndtering af varme akkuer.**
15. **Rør ikke terminalen på maskinen straks efter brug, da den bliver varm nok til at forårsage forbrændinger.**
16. **Sørg for, at spåner, støv eller jord ikke sætter sig fast i akkuens terminaler, huller og riller.** Det kan forårsage opvarmning, antændelse, sprængning og funktionsfejl i maskinen eller akkuen, hvilket kan medføre forbrændinger eller personskade.
17. **Medmindre maskinen understøtter brugen i nærheden af elektriske højspændingsledninger, skal du ikke anvende akkuen i nærheden af elektriske højspændingsledninger.** Det kan muligvis medføre funktionsfejl på eller nedbrud af maskinen eller akkuen.

18. Opbevar batteriet utilgængeligt for børn.

GEM DENNE BRUGSANVISNING.

⚠FORSIGTIG: Brug kun originale batterier fra Makita. Brug af uoriginale Makita-batterier, eller batterier som er blevet ændret, kan muligvis medføre brud på batteriet, hvilket kan forårsage brand, personskade eller beskadigelse. Det ugyldiggør også Makita-garantien for Makita-maskinen og opladeren.

Tips til opnåelse af maksimal akku-levetid

1. Oplad akkuen, inden den er helt afladet. Stop altid værktøjet, og oplad akkuen, hvis De bemærker, at værktøjeffekten er aftagende.
2. Genoplad aldrig en fuldt opladet akku. Overopladning vil afkorte akkuens levetid.
3. Oplad akkuen ved stuetemperatur ved 10 °C - 40 °C. Lad altid en varm akku få tid til at køle af, inden den oplades.
4. Når du ikke anvender akkuen, skal du fjerne den fra maskinen eller opladeren.
5. Oplad akkuen, hvis De ikke skal bruge den i længere tid (mere end seks måneder).

FUNKTIONSBESKRIVELSE

⚠FORSIGTIG: Sørg altid for at maskinen er slukket, og at akkuen er taget ud, før der udføres justering eller kontrol af funktioner på maskinen.

Isætning eller fjernelse af akkuen

⚠FORSIGTIG: Sluk altid for værktøjet, før De monterer eller fjerner akkuen.

⚠FORSIGTIG: Hold værktøjet og akkuen fast ved montering eller fjernelse af akkuen. Hvis De ikke holder værktøjet og akkuen fast, kan de glide ud af hænderne på Dem og forårsage beskadigelse af værktøjet og akkuen eller personskade.

► Fig.1: 1. Rød indikator 2. Knap 3. Akku

Akkuen fjernes ved, at De trækker den ud af værktøjet, idet De skyder knappen på forsiden af akkuen i stilling.

For at montere akkuen skal du justere tungen på akkuen med rillen i huset og skubbe den på plads. Indsæt den hele vejen, indtil den låses på plads med et lille klik. Hvis du kan se den røde indikator, som vist i figuren, er den ikke helt låst.

⚠FORSIGTIG: Monter altid akkuen helt, indtil den røde indikator ikke længere er synlig. Hvis dette ikke gøres, kan den falde ud af værktøjet ved et uheld, hvorved De selv eller personer i nærheden kan komme til skade.

⚠FORSIGTIG: Brug ikke magt ved montering af akkuen. Hvis akkuen ikke glider på plads uden problemer, betyder det, at den ikke sættes i på korrekt vis.

Indikation af den resterende batteriladning

Kun til akkuer med indikatoren

► Fig.2: 1. Indikatorlamper 2. Kontrolknap

Tryk på kontrolknappen på akkuen for at få vist den resterende batteriladning. Indikatorlampen lyser i nogle sekunder.

Indikatorlamper			Resterende ladning
Tændt	Slukket	Blinker	
■	□	◐	75% til 100%
■	■	□	50% til 75%
■	■	□	25% til 50%
■	□	□	0% til 25%
◐	□	□	Genoplad batteriet.
■	■	□	Der er muligvis fejl i batteriet.

BEMÆRK: Afhængigt af brugsforholdene og den omgivende temperatur kan indikationen afvige en smule fra den faktiske ladning.

BEMÆRK: Den første indikatorlampe (længst mod venstre) vil blinke, når batteribeskyttelsessystemet aktiveres.

Beskyttelsessystem til værktøj/batteri

BEMÆRKNING: Afhængigt af brugsforholdene stopper maskinen automatisk uden nogen indikation, hvis grene eller affaldsrester er viklet ind i maskinen. I dette tilfælde skal du slukke for maskinen og fjerne akkuen, og derefter fjerne sammenfiltrede grene eller affaldsrester ved hjælp af værktøj som fx tænger. Efter fjernelse af grene eller affaldsrester skal du installere akkuen og tænde for maskinen igen.

Maskinen er udstyret med et beskyttelsessystem til maskinen/batteriet. Dette system afbryder automatisk strømmen til motoren for at forlænge maskinens og batteriets levetid. Maskinen stopper automatisk under brugen, hvis maskinen eller batteriet udsættes for et af følgende forhold:

Overbelastningsbeskyttelse

Hvis maskinen eller batteriet betjenes på en måde, der får den/det til at bruge unormalt meget strøm, stopper maskinen automatisk. Sluk i så fald for maskinen, og stop den anvendelse, der medførte overbelastningen af maskinen. Tænd derefter for maskinen for at starte igen.

Beskyttelse mod overophedning

Hvis maskinen eller batteriet er overophedet, stopper maskinen automatisk. Lad i så fald maskinen og batteriet køle af, før du tænder for maskinen igen.

Beskyttelse mod overafledning

Når batteriladningen er utilstrækkelig, stopper maskinen automatisk. Tag i så fald akkuen ud af maskinen, og oplad akkuen.

Beskyttelse mod andre årsager

Beskyttelsessystemet er også designet til andre årsager, der kan beskadige maskinen og gør det muligt for maskinen at stoppe automatisk. Træf alle følgende foranstaltninger for at fjerne årsagerne, når maskinen midlertidigt er blevet bragt til standsning eller stoppet i drift.

1. Sluk for maskinen, og tænd den igen for at genstarte.
2. Oplad batteriet/batterierne, eller udskift det/dem med genopladet/genopladede batteri/batterier.
3. Lad maskinen og batteriet/batterierne køle af.

Hvis der ikke kan findes nogen forbedring ved at gen-danne beskyttelsessystemet, skal det lokale Makita-servicecenter kontaktes.

BEMÆRKNING: Hvis maskinen stopper på grund af en årsag, der ikke er beskrevet ovenfor, skal du se afsnittet for fejlfinding.

Afbryderbetjening

⚠ ADVARSEL: Af hensyn til din sikkerhed er denne maskine udstyret med et kontakthåndtag, som forhindrer maskinen i at starte utilsigtet. UNDLAD at bruge maskinen, hvis den kører, når du blot trykker på afbryderknappen uden at trykke på kontakthåndtaget. Returnér maskinen til vores autoriserede servicecenter for at få udført de nødvendige reparationer, FØR du tager den i brug igen.

⚠ ADVARSEL: UNDLAD at fastgøre kontakthåndtaget med tape eller omgå formålet eller funktionen.

⚠ ADVARSEL: Før akkuen sættes på maskinen, skal du altid kontrollere, at afbryderknappen og kontakthåndtaget aktiveres korrekt og går tilbage til "FRA"-stillingen, når du slipper dem. Brug af en maskine med en afbryder, som ikke fungerer korrekt, kan medføre tab af kontrollen over maskinen og alvorlig personskaade.

⚠ FORSIGTIG: Sæt aldrig fingeren på kontakten, mens du bærer maskinen. Ellers kan maskinen starte ved et uheld og forårsage personskaade.

For at starte maskinen skal du holde det forreste håndtag, mens du trykker på kontakthåndtaget og trykker på afbryderknappen. For at stoppe maskinen skal du enten slippe afbryderknappen eller kontakthåndtaget.

- **Fig.3:** 1. Forreste håndtag 2. Kontakthåndtag 3. Afbryderknap

Indikationslampe

► Fig.4: 1. Indikationslampe

Indikationslampen blinker eller lyser, når batteriet bliver lavt, eller maskinen er overbelastet. Der henvises til følgende tabel for status og foranstaltninger, der skal træffes.

Indikationslampe	Status	Handling, der skal udføres
Lampen blinker rødt.	Det resterende batteri er lavt.	Genoplad batteriet, eller udskift batteriet med et, der er ladet helt op.
Lampen lyser rødt.	Det resterende batteri er tomt.	Genoplad batteriet, eller udskift batteriet med et, der er ladet helt op.
	Maskinen er stoppet på grund af overbelastning.	Sluk for maskinen, og fjern årsagen til overbelastningen.
	Maskinen er stoppet på grund af overophedning.	Sluk for maskinen, og afkøl maskinen og batteriet.

BEMÆRK: Det tidspunkt, hvor indikationslampen blinker eller lyser, varierer afhængigt af temperaturen omkring arbejdsområdet og akkuens tilstand.

Elektronisk funktion

Maskinen er udstyret med elektroniske funktioner for nem betjening.

- Konstant hastighedskontrol
Funktionen til hastighedskontrol sørger for konstant rotationshastighed uanset belastningsforholdene.
- Elektrisk bremse
Denne maskine er udstyret med en elektrisk bremse. Hvis maskinen konsekvent ikke stopper klingerne hurtigt efter afbryderknappen er sluppet, skal maskinen efterses hos et autoriseret Makita-servicecenter.
- Funktion til forhindring af utilsigtet genstart
Selvom du installerer akkuen, mens du trykker på afbryderknappen, starter maskinen ikke. Maskinen startes ved først at slippe afbryderknappen og derefter trykke på afbryderknappen.

SAMLING

⚠ FORSIGTIG: Sørg altid for at maskinen er slukket, og at akkuen er taget ud, før der udføres noget arbejde på maskinen.

⚠ FORSIGTIG: Ved udskiftning af klingerne skal du altid bære handsker, så dine hænder ikke kommer i direkte kontakt med klingerne.

BEMÆRKNING: Ved udskiftning af klingerne må du ikke aftørre fedtstof fra gearet og krumpappen.

Montering eller fjernelse af klingerne

⚠ FORSIGTIG: Monter klingedækslet, før klingerne fjernes eller monteres.

Du kan installere 500 mm eller 600 mm klinger på din maskine.

1. Fastgør klingedækslet til klingerne.
▶ **Fig.5:** 1. Klingedæksel
2. Placér maskinen med bunden opad, afmonter derefter 6 bolte, og afmonter derefter dækslet og pladen.
▶ **Fig.6:** 1. Bolt 2. Dæksel 3. Plade

BEMÆRK: Pladen kan blive siddende på dækslet.

3. Drej krumtappen med kærviskruetrækkeren, så 2 huller er vinkelret på klingerne.
▶ **Fig.7:** 1. Krumtap 2. Hul
4. Fjern 2 bolte, filtputen og mufferne, og fjern derefter klingerne.
▶ **Fig.8:** 1. Filtput 2. Bolt 3. Muffe 4. Klinger
5. Afmonter klingedækslet, og fastgør det derefter til de nye klinger.
▶ **Fig.9:** 1. Klingedæksel
6. Justér bagkanterne på klingerne som vist på figuren.
▶ **Fig.10:** 1. Bagkant
7. Skub klingerne en smule som vist på figuren, og fastgør derefter mufferne til klingerne.
▶ **Fig.11:** 1. Muffe
8. Skub klingedækslet en smule mod spidsen af klingerne, og fastgør derefter klingerne til maskinen.
▶ **Fig.12:** 1. Klinger

BEMÆRKNING: Påfør en lille mængde fedt på den indre kant af hullet i klingerne.

BEMÆRKNING: Pas på ikke at miste mufferne.

9. Skub klingerne og mufferne, så hullerne på mufferne flugter med hullerne på maskinen.
▶ **Fig.13:** 1. Hul på maskine 2. Hul på muffe
10. Tilspænd boltene for at fastgøre klingerne.
▶ **Fig.14:** 1. Bolt
11. Fastgør filtputen til klingerne.
▶ **Fig.15:** 1. Filtput
12. Monter pladen.
▶ **Fig.16:** 1. Plade
13. Monter dækslet, og stram derefter 6 bolte.
▶ **Fig.17:** 1. Bolt 2. Dæksel

BEMÆRKNING: Hvis klingerne ikke bevæger sig jævnt, griber klingerne ikke korrekt fat i krumtappen. Montér klingerne ingen.

BEMÆRKNING: Hvis andre dele end klingerne som f.eks. krumtappen er slidt, skal du anmode et autoriseret Makita-servicecenter om udskiftning eller reparation af dele.

Montering eller afmontering af spånbakken

Ekstraudstyr

⚠ FORSIGTIG: Ved montering eller fjernelse af spånbakken skal du altid bære handsker, så dine hænder ikke kommer i direkte kontakt med klingerne.

BEMÆRKNING: Klingedækslet kan ikke monteres, hvis spånbakken er monteret på maskinen. Før du bærer eller opbevarer maskinen, skal du afmontere spånbakken og derefter montere klingedækslet for at undgå blottelse af klingerne.

BEMÆRKNING: Sørg for at fjerne klingedækslet, før spånbakken monteres.

Spånbakken opsamler fraskårne blade og gør den efterfølgende rengøring meget lettere. Den kan monteres på begge sider af maskinen.

1. Justér hullerne på spånbakken med skrueerne på klingerne.
▶ **Fig.18:** 1. Skruer
2. Fastgør spånbyggens kløer til klingernes rille.
▶ **Fig.19:** 1. Klo 2. Rille
3. Tryk på armene på spånbakken, og fastgør derefter kløerne på den anden side til rillen på klingerne.
▶ **Fig.20:** 1. Arm

For at fjerne spånbakken skal du trykke på armene for at frigøre kløerne.

- ▶ **Fig.21:** 1. Arm

BEMÆRKNING: Forsøg aldrig at fjerne spånbakken med magtanvendelse, når dens kroge er låst fast til klingerne.

ANVENDELSE

⚠ ADVARSEL: Hold hænderne på afstand af klingerne.

⚠ FORSIGTIG: Undgå så vidt muligt at anvende maskinen i meget varmt vejr. Vær opmærksom på din fysiske tilstand, når du anvender maskinen.

⚠ FORSIGTIG: Vær forsigtig med ikke at ramme et metalhegn eller andre hårde genstande ved et uheld under trimningen. Klingerne kan gå i stykker og forårsage personskade.

⚠ FORSIGTIG: Vær forsigtig med ikke at lade klingerne komme i kontakt med jorden. Maskinen kan slå tilbage og forårsage personskade.

⚠ FORSIGTIG: Det er ekstremt farligt at strække sig for langt med en hæktrimmer, især fra en stige. Undlad at arbejde, mens du står på en ustabil eller usikker platform.

BEMÆRKNING: Forsøg ikke at klippe grene, der er tykkere end 10 mm i diameter, med maskinen. Beskær grene til 10 cm under skærehøjden ved hjælp af en grensaks, før du bruger denne maskine.

- ▶ **Fig.22:** (1) Skærehøjde (2) 10 cm

BEMÆRKNING: Undlad at beskære døde træer eller lignende hårde genstande. Hvis du gør dette, kan det beskadige maskinen.

BEMÆRKNING: Undlad at trimme græs eller ukrudt, mens du bruger klingerne. Klingerne kan blive viklet ind i græsset eller ukrudtet.

Hold fast i maskinen med begge hænder, hold fast i det forreste håndtag, mens du trykker på kontakthåndtaget og trækker i afbryderknappen, og flyt derefter maskinen fremad.

► Fig.23

Ved almindelig brug skal du vippe klingerne i trimningsretningen og flytte den roligt og langsomt med en hastighed på 3 til 4 sekunder pr. meter.

► Fig.24

For at klippe toppen af en hæk jævnt skal du binde en snor i den ønskede højde og klippe langs med den.

► Fig.25

Hvis spånbakken er monteret på klingerne, opsamler den bortskårne blade og gør den efterfølgende oprydning meget lettere.

► Fig.26

For at klippe siden af en hæk jævnt skal du klippe fra bunden mod toppen.

► Fig.27

Ved beskæring for at opnå en rund form (trimning af buksbom eller rododendron osv.) skal du trimme fra roden mod toppen for at opnå en flot finish.

► Fig.28

VEDLIGEHOVELSE

⚠FORSIGTIG: Vær altid sikker på, at værktøjet er slukket, og at akkuen er taget ud, inden De begynder at udføre inspektion eller vedligeholdelse.

For at opretholde produktets SIKKERHED og PÅLIDELIGHED må reparation, vedligeholdelse eller justering kun udføres af et autoriseret Makita servicecenter eller fabriksservicecenter med anvendelse af Makita reservedele.

Rengøring af maskinen

Rengør maskinen ved at aftørre støv med en tør klud eller en klud, der er dyppet i sæbevand og vredet.

BEMÆRKNING: Anvend aldrig benzin, rensbenzin, fortynder, alkohol og lignende. Det kan medføre misfarvning, deformering eller revner.

Vedligeholdelse af klinger

Før brugen eller én gang i timen under brug skal du smøre olie med lav viskositet (maskinolie eller smørelie af spraytypen) på klingerne.

► Fig.29

Efter brugen skal du fjerne støv fra begge sider af klingerne med en trådbørste, tørre dem af med en klud og derefter smøre olie med lav viskositet (maskinolie eller smørelie af spraytypen) på klingerne.

► Fig.30

BEMÆRKNING: Undgå at vaske klingerne i vand. Dette kan medføre rust eller beskadigelse af maskinen.

BEMÆRKNING: Snavs og rust medfører kraftig klinfofriktion og forkorter driftstiden mellem batteriopladninger.

Opbevaring

Kroghullet i bunden af maskinen er praktisk til at hænge maskinen på et søm eller en skrue i væggen.

Monter klingedækslet på klingerne, så klingerne ikke er blottet. Opbevar maskinen utilgængeligt for børn. Opbevar maskinen på et sted, der ikke er udsat for fugt eller regn.

► Fig.31: 1. Hul

Slibning af klingerne

BEMÆRKNING: Hvis klingerne er alvorligt deformet ved slibning, skal du udskifte klingerne med nye.

1. Monter akkuen på maskinen.
2. Tænd for og start maskinen, så den øverste klinge og nederste klinge er placeret på skift af hinanden.

► Fig.32

3. Sluk for maskinen, og tag akkuen ud af maskinen.

4. Indstil vinklen på en fil til 35°, og slib den øverste klinge fra 2 retninger med filen.

► Fig.33: (1) Fil (2) 35°

⚠FORSIGTIG: Sørg altid for, at der er slukket for maskinen, og at akkuen er fjernet fra maskinen, før klingerne slibes.

5. Vend maskinen med bunden i vejret, og fjern derefter graterne fra klingerne ved hjælp af afrettestenen.

► Fig.34: 1. Afrettesten

6. Indstil vinklen på filen til 35°, og slib den nederste klinge fra 2 retninger med filen.

7. Vend maskinen tilbage til den normale stilling, og fjern derefter graterne fra klingerne ved hjælp af afrettestenen.

Smøring med fedt

Smøringsinterval: Hver 50 driftstimer

1. Fjern boltene fra hullet til smøring.

► Fig.35: 1. Bolt

2. Afmonter hættten fra fedtbeholderen. Justér fedtbeholderens udløb med hullet på dækslet, og drej derefter fedtbeholderen for at fastgøre udløbet på fedtbeholderen til hullet.

► Fig.36: 1. Fedtbeholder 2. Hul

3. Fyld fedt på maskinen (Som tommelfingerregel cirka 3 g).

4. Fjern fedtbeholderen.

5. Stram boltene.

FEJLFINDING

Udfør selv en inspektion, inden De anmoder om reparation. Hvis De opdager et problem, som ikke er forklaret i brugsanvisningen, må De ikke forsøge at adskille maskinen. Rådfør Dem i stedet med et autoriseret Makita Servicecenter, og brug altid originale Makita udskiftningsdele til reparationer.

Unormal tilstand	Sandsynlig årsag (fejl)	Afhjælpning
Motoren kører ikke.	Akkuen er ikke indsat.	Indsæt akkuen.
	Problem med batteriet (for lav spænding)	Genoplad batteriet. Udskift batteriet, hvis genopladning ikke er effektiv.
	Drevsystemet fungerer ikke korrekt.	Kontakt det lokale autoriserede servicecenter for reparation.
Motoren holder op med at køre efter kort tids brug.	Batteriets opladningsniveau er for lavt.	Genoplad batteriet. Udskift batteriet, hvis genopladning ikke er effektiv.
	Overophedning.	Hold op med at bruge maskinen, så den kan køle ned.
Maskinen når ikke maks. antal omdrejninger pr. minut (RPM).	Batteriet er indsat forkert.	Indsæt akkuen som beskrevet i denne brugervejledning.
	Batteriladningen falder.	Genoplad batteriet. Udskift batteriet, hvis genopladning ikke er effektiv.
	Drevsystemet fungerer ikke korrekt.	Kontakt det lokale autoriserede servicecenter for reparation.
Klinger bevæger sig ikke: ⇒ Stop maskinen med det samme!	Der sidder fremmedlegemer fast mellem klingerne.	Sluk for maskinen, og afmontér akkuen, og fjern derefter fremmedlegemerne ved hjælp af værktøj som f.eks. en tang.
	Drevsystemet fungerer ikke korrekt.	Kontakt det lokale autoriserede servicecenter for reparation.
Unormal vibration: ⇒ Stop maskinen med det samme!	Klingerne er knækket, bøjet eller slidt.	Udskift klingerne.
	Drevsystemet fungerer ikke korrekt.	Kontakt det lokale autoriserede servicecenter for reparation.
Klingerne og motoren kan ikke stoppe: ⇒ Fjern batteriet med det samme!	Elektrisk funktionsfejl.	Fjern batteriet, og kontakt det lokale autoriserede servicecenter for reparation.

EKSTRAUDSTYR

⚠ FORSIGTIG: Det følgende tilbehør og ekstraudstyr er anbefalet til brug med Deres Makita maskine, der er beskrevet i denne brugsanvisning. Anvendelse af andet tilbehør eller ekstraudstyr kan udgøre en risiko for personskade. Anvend kun tilbehør og ekstraudstyr til det beskrevne formål.

Hvis De behøver hjælp ved valg af tilbehør eller ønsker yderligere informationer, bedes De kontakte Deres lokale Makita servicecenter.

- Klingemontering
- Dæksel til klinge
- Spånbakke
- Fedtbeholder
- Original Makita akku og oplader

BEMÆRK: Nogle ting på denne liste kan være inkluderet i værktøjspakken som standardtilbehør. Det kan være forskellige fra land til land.

SPECIFIKĀCIJAS

Modelis:	DUH506	DUH606
Asmens garums	500 mm	600 mm
Gājienu skaits minūtē	4 000 min ⁻¹	
Kopējais garums (Bez akumulatora)	846 mm	965 mm
Nominālais spriegums	Līdzstrāva 18 V	
Neto svars	2,5–2,9 kg	2,7–3,0 kg

- Nepārtrauktās izpētes un izstrādes programmas dēļ šeit uzrādītās specifikācijas var tikt mainītas bez brīdinājuma.
- Specifikācijas dažādās valstīs var atšķirties.
- Svārs var būt atšķirīgs atkarībā no papildierīces(-ēm), tostarp akumulatora kasetnes. Tabulā ir attēlota vieglākā un smagākā kombinācija atbilstoši EPTA procedūrai 01/2014.

Piemērotā akumulatora kasetne un lādētājs

Akumulatora kasetne	BL1815N / BL1820B / BL1830B / BL1840B / BL1850B / BL1860B
Lādētājs	DC18RC / DC18RD / DC18RE / DC18SD / DC18SE / DC18SF / DC18SH / DC18WC

- Daži no iepriekš norādītajiem lādētājiem un akumulatora kasetnēm var nebūt pieejami atkarībā no jūsu mītnes reģiona.

BRĪDINĀJUMS: Izmantojiet vienīgi iepriekš norādītās akumulatora kasetnes un lādētājus. Cita tipa akumulatora kasetņu un lādētāju izmantošana var radīt traumu un/vai aizdegšanās risku.





Ieteicamais ar vadu savienojamais barošanas avots

Pārņēsājams barošanas bloks	PDC01
-----------------------------	-------

- Iepriekš norādītais(-ie) ar vadu savienojamais(-ie) barošanas avots(-i) var nebūt pieejams(-i) atkarībā no jūsu mītnes reģiona.
- Pirms izmantojat ar vadu savienojamo barošanas avotu, izlasiet instrukcijas un uz tā redzamos brīdinājumus.

Simboli

Tālāk ir attēloti simboli, kas var attiekties uz darbarīka lietošanu. Pirms darbarīka izmantošanas pārlicinieties, vai pareizi izprotat to nozīmi.

	Izlasiet lietošanas rokasgrāmatu.
	Lietojiet acu aizsargaprīkojumu!
	BĪSTAMI! Netuviniet rokas asmenim.
	Nepakļaujiet mitruma iedarbībai.



Tikai ES valstīm

Tā kā šajā aprīkojumā ir bīstamas sastāvdaļas, elektrisko un elektronisko iekārtu, akumulatoru un bateriju atkritumi var negatīvi ietekmēt apkārtnējo vidi un cilvēka veselību.

Elektroierīces, elektroniskās ierīces un akumulatorus nedrīkst izmest kopā ar mājsaimniecības atkritumiem!

Saskaņā ar Eiropas direktīvu par elektrisko un elektronisko iekārtu atkritumiem, akumulatoriem un baterijām, kā arī akumulatoru un bateriju atkritumiem un šīs direktīvas pielāgošanu valsts tiesību aktiem elektrisko un elektronisko iekārtu, bateriju un akumulatoru atkritumi ir jāglabā atsevišķi un jānogādā uz sadzīves atkritumu dalītās savākšanas vietu, ievērojot attiecīgos vides aizsardzības noteikumus. Par to liecina uz iekārtas redzams simbols ar pārsvītrotu atkritumu konteineru uz rītniem.



Garantētais skaņas jaudas līmenis saskaņā ar ES Direktīvu par troksni ārpus telpām.



Skaņas jaudas līmenis saskaņā ar Austrālijas NSW trokšņu kontroles noteikumiem

Paredzētā lietošana

Šis darbarīks ir paredzēts dzīvzoģu apģriešanai.

Trokšņa līmenis

Attiecīgais standarts : EN62841-4-2

Modelis	Skaņas spiediena līmenis		Skaņas jaudas līmenis	
	L_{pA} (dB(A))	Nenoteiktība (K) (dB(A))	L_{WA} (dB(A))	Nenoteiktība (K) (dB(A))
DUH506	77	3	88	3
DUH606	79	3	90	3

PIEZĪME: Paziņotā trokšņa emisijas vērtība noteikta atbilstoši standarta pārbaudes metodei, un to var izmantot, lai salīdzinātu vienu darbarīku ar citu.

PIEZĪME: Paziņoto trokšņa emisijas vērtību arī var izmantot iedarbības sākotnējā novērtējumā.

▲BRĪDINĀJUMS: Lietojiet ausu aizsargus.

▲BRĪDINĀJUMS: Trokšņa emisija patiesos darba apstākļos var atšķirties no paziņotās vērtības atkarībā no darbarīka izmantošanas veida un jo īpaši atkarībā no apstrādājamā materiāla veida.

▲BRĪDINĀJUMS: Lai aizsargātu lietotāju, nosakiet drošības pasākumus, kas pamatoti ar iedarbību reālos darba apstākļos (ņemot vērā visus ekspluatācijas cikla posmus, piemēram, laiku, kamēr darbarīks ir izslēgts un kad darbojas tukšgaitā, kā arī palaides laiku).

Vibrācija

Vibrācijas kopējā vērtība (trīsasu vektora summa) noteikta atbilstoši EN62841-4-2:

Modelis	Priekšējais rokturis		Aizmugures rokturis	
	Ah (m/s^2)	Nenoteiktība K (m/s^2)	Ah (m/s^2)	Nenoteiktība K (m/s^2)
DUH506	2,5 m/s^2 vai mazāk	1,5	2,5 m/s^2 vai mazāk	1,5
DUH606	2,5 m/s^2 vai mazāk	1,5	2,5 m/s^2 vai mazāk	1,5

PIEZĪME: Paziņotā kopējā vibrācijas vērtība noteikta atbilstoši standarta pārbaudes metodei, un to var izmantot, lai salīdzinātu vienu darbarīku ar citu.

PIEZĪME: Paziņoto kopējo vibrācijas vērtību arī var izmantot iedarbības sākotnējā novērtējumā.

▲BRĪDINĀJUMS: Vibrācijas emisija patiesos darba apstākļos var atšķirties no paziņotās vērtības atkarībā no darbarīka izmantošanas veida un jo īpaši atkarībā no apstrādājamā materiāla veida.

▲BRĪDINĀJUMS: Lai aizsargātu lietotāju, nosakiet drošības pasākumus, kas pamatoti ar iedarbību reālos darba apstākļos (ņemot vērā visus ekspluatācijas cikla posmus, piemēram, laiku, kamēr darbarīks ir izslēgts un kad darbojas tukšgaitā, kā arī palaides laiku).

EK atbilstības deklarācija

Tikai Eiropas valstīm

EK atbilstības deklarācija šajā lietošanas rokasgrāmatā ir iekļauta kā A pielikums.

DROŠĪBAS BRĪDINĀJUMI

Vispārīgi elektrisko darbarīku drošības brīdinājumi

▲BRĪDINĀJUMS: Izlasiet visus drošības brīdinājumus, instrukcijas, apskatiet ilustrācijas un tehniskos datus, kas iekļauti mehanizētā darbarīka komplektācijā. Ja netiek ievēroti visi tālāk minētie noteikumi, var tikt izraisīta elektrotrauma, notikt aizdegšanās un/vai rasties smagas traumas.

Glabājiet visus brīdinājumus un norādījumus, lai varētu tajos ieskatīties turpmāk.

Termins „elektrisks darbarīks” brīdinājumus attiecas uz tādu elektrisko darbarīku, ko darbina ar elektrību (ar vadu), vai tādu, ko darbina ar akumulatoru (bez vada).

Drošības noteikumi bezvadu dzīvzoga apgriezējmašīnas lietošanai

1. **Visas ķermeņa daļas turiet pēc iespējas tālāk no asmens. Kad asmeņi kustas, neņemiet nogrieztu materiālu un neturiet griežamo materiālu.** Asmeņi turpina kustību arī pēc izslēgšanas. Dzīvzoga griezēja lietošanas laikā īss neuzmanības brīdis var izraisīt nopietnas traumas.
2. **Nesiet dzīvzoga griezēju, turot to aiz roktura, kad asmens ir apstājies, un uzmanieties, lai nedarbinātu ieslēgšanas slēdzi.** Pareiza dzīvzoga griezēja nešana samazinās nejaucas ieslēgšanas risku un asmeņu radītas traumas.
3. **Transportējot vai glabājot dzīvzoga griezēju, vienmēr uzlieciet asmeņu apvalku.** Pareiza rīcība ar dzīvzoga griezēju samazinās asmeņu radītas traumas.
4. **Tīrot iestrēgušu materiālu vai veicot apkopi, raugieties, lai visi ieslēgšanas slēdži ir izslēgtā pozīcijā un akumulatora bloks ir izņemts vai atvienots.** Nejauša dzīvzoga griezēja nostrāde, tīrot iestrēgušu materiālu vai veicot apkopi, var izraisīt smagas traumas.
5. **Turiet dzīvzoga griezēju tikai pie izolētajām satveršanas virsmām, jo asmens var saskarties ar apslēptu elektroinstalāciju.** Asmeņiem saskaroties ar vadu, kurā ir spriegums, dzīvzoga griezēja ārējās metāla daļas var vadīt strāvu un pakļaut lietotāju elektriskās strāvas trieciena riskam.
6. **Turiet visus barošanas vadus un kabeļus prom no griešanas zonas.** Barošanas vadi vai kabeļi var būt paslēpti dzīvzoga vai krūmos, un tos var netīšām pārgriezt ar asmeni.
7. **Neizmantojiet dzīvzoga griezēju slīktos laikapstākļos, jo īpaši laikā, kad iespējams zibens.** Tādējādi tiek samazināts zibens spēriena risks.
8. **Nododot dzīvzoga apgriezējmašīnu citai personai, vispirms nolieciet dzīvzoga apgriezējmašīnu uz zemes un ļaujiet to otrai personai paņemt tikai tad, kad jūsu rokas ir pilnībā noņemtas no tās.** Nododot dzīvzoga apgriezējmašīnu no rokas rokā, rodas situācija, kad tā tiek turēta vienlaikus aiz priekšējā roktura un aizmugures roktura, un tad dzīvzoga apgriezējmašīna neplānoti sāk darboties. Šāda neplānota iedarbošanās var radīt smagus ievainojumus.

Papildu drošības norādījumi

Sagatavošanās

1. **Pirms darbarīka lietošanas pārbaudiet, vai dzīvzoga vai krūmos neatrodas traucējoši priekšmeti, piemēram, stieplu žogs vai vadi.**
2. **Darbarīku nedrīkst izmantot bērni vai jaunieši, kas jaunāki par 16 gadiem.** Jauniešus, kam ir vairāk par 16 gadiem, var neieklaut šajā ierobežojumā, ja tie saņem apmācību speciālista uzraudzībā.

3. **Pirmajā lietošanas reizē lietotājiem ir jāpieaicina pieredzējis darbarīka lietotājs, kas parādītu, kā tas ir jālieto.**
4. **Darbarīku lietotiet tikai tad, ja esat labā fiziskā stāvoklī.** Ja esat noguris, jūsu uzmanība būs samazināta. Īpaši uzmanīgs esiet darba dienas beigās. Visus darbus veiciet mierīgi un uzmanīgi. Lietotājs ir atbildīgs par visiem bojājumiem trešajai pusei.
5. **Nekad nelietojiet darbarīku alkohola, narkotisko vielu vai medikamentu ietekmē.**
6. **Darbarīka pamata aprīkojumā ir ietverti izturīgas ādas darba cimdi, un darbarīka lietošanas laikā tie vienmēr ir jāvalkā.** Uzvelciet arī stingrus apavus ar neslidošu zoli.
7. **Pirms darba uzsākšanas pārbaudiet, vai darbarīks ir labā un drošā darba kārtībā.** **Nodrošiniēt, ka aizsargi ir uzstādīti atbilstoši.** Ja darbarīks nav pilnībā samontēts, to nedrīkst lietot.

Ekspluatācija

1. **Darba laikā stingri turiet darbarīku ar abām rokām.**
2. **Darbarīks ir paredzēts lietošanai, lietotājam atrodoties zemes līmenī.** Neizmantojiet darbarīku, atrodoties uz trepēm vai uz cita nestabila atbalsta.
3. **BĪSTAMI - Netuviniēt rokas asmeņim.** Saskaroties ar asmeni, varat gūt smagas traumas.
4. **Neizmantojiet darbarīku lietus laikā, mitros vai drēgnos apstākļos.** Elektromotors nav ūdensizturīgs.
5. **Pirms darba uzsākšanas pārliecinieties, ka stāvat uz drošas pamatnes.**
6. **Lieki nedarbiniet darbarīku bez slodzes.**
7. **Ja šķēru asmeņi saskaras ar sētu vai citu cietu priekšmetu, nekavējoties izslēdziet darbarīku un izņemiet akumulatora kasetni.** Pārbaudiet, vai asmeņi nav bojāti, un, ja ir bojāti, nekavējoties nomainiet asmeņus.
8. **Pirms šķēru asmeņu pārbaudīšanas, bojājumu novēršanas vai šķēru asmeņos iesprūdušo materiālu izņemšanas vienmēr izslēdziet darbarīku un izņemiet akumulatora kasetni.**
9. **Nekādā gadījumā nevērsiet šķēru asmeņus pret sevi vai citiem.**
10. **Ja asmeņi apstājas, jo ekspluatācijas laikā starp asmeņiem iesprūduši svešķermeņi, izslēdziet darbarīku un izņemiet akumulatora kasetni, tad, izmantojot instrumentus, piemēram, knaibles, izņemiet svešķermeņus.** Iespējams savainoties, izņemot svešķermeņus ar roku, jo izņemšanas laikā asmeņu darbība var izraisīt asmeņu kustēšanos.

Elektrodrošība un akumulatora drošība

1. **Izvairieties no bīstamas vides.** Darbarīku neizmantojiet mitrās vai slapjās vietās un lietū. Ja darbarīkā iekļūst ūdens, palielināsies elektriskā trieciena rašanās risks.
2. **Neatbrīvojieties no akumulatora(-iem), to(-s) deadzinot.** Var rasties eksplozija. Skatiet attiecīgos valsts noteikumus, lai uzzinātu īpašus norādījumus izmešanai atkritumos.

3. Akumulatoru(-s) nedrīkst atvērt vai sabojāt. Iztecējušais elektrolīts ir kodīgs un var nodarīt kaitējumu acīm vai ādai. Norijot tas var būt toksisks.
4. Nelādējiet akumulatoru lietū vai mitrās vietās.
5. Nelādējiet akumulatoru ārpus telpām.
6. Neaiztieciot lādētāju, kā arī lādētāja spraudni vai spaiļes ar slāpām rokām.

Apkope un glabāšana

1. Pirms tehniskās apkopes veikšanas izslēdziet darbarīku un izņemiet akumulatora kasetni.
2. Pārvietojot darbarīku uz citu vietu, arī darba laikā, vienmēr izņemiet akumulatora kasetni un uz šķēru asmeņiem uzlieciat asmeņu apvalku. Nekad nenesiet un netrānsportējiet darbarīku, ja asmeņi darbojas. Asmeņus nekad nedrīkst satvert ar rokām.
3. Pēc darbarīka lietošanas un pirms novietošanas glabāšanā uz ilgāku laika periodu vienmēr tīriet darbarīku, it īpaši šķēru asmeņus. Nedaudz ieeļļojiet asmeņus un uzlieciat asmeņu apvalku.
4. Darbarīku glabājiet ar uzliktu asmeņu apvalku un sausā telpā. Glabājiet bērnēm nepieejamā vietā. Nekad neglabājiet darbarīku ārā.
5. Nemetiet akumulatoru ugunī. Elements var sprāgt. Skatiet attiecīgos valsts noteikumus, lai uzzinātu īpašus norādījumus izmešanai atkritumos.
6. Akumulatorus nedrīkst atvērt vai sabojāt. Iztecējušais elektrolīts ir kodīgs un var nodarīt kaitējumu acīm vai ādai. Norijot tas var būt toksisks.
7. Nelādējiet akumulatoru lietū vai mitrās vietās.

SAGLABĀJIET ŠOS NORĀDĪJUMUS.

▲BRĪDINĀJUMS: NEPIEĻAUJIET to, ka labu iemaņu vai izstrādājuma labas pārzināšanas (darbarīku atkārtoti ekspluatējot) rezultātā vairs stingri neievērojāt šī izstrādājuma drošības noteikumus. NEPAREIZI LIETOJOT darbarīku vai neievērojot šajā instrukcijā rokasgrāmatā minētos drošības noteikumus, var tikt gūtas smagas traumas.

Svarīgi drošības norādījumi par akumulatora kasetni

1. Pirms akumulatora lietošanas izlasiet visus norādījumus un brīdinājumus, kuri attiecas uz (1) akumulatora lādētāju, (2) akumulatoru un (3) ierīci, kurā tiek izmantots akumulators.
2. Akumulatora kasetni nedrīkst ne pārveidot, ne izjaukt. Citādi var tikt izraisīta aizdegšanās, pārmērīgs karstums vai sprādziens.
3. Ja akumulatora darbības laiks kļūva ievērojami īsāks, nekavējoties pārtrauciet to izmantot. Citādi, tas var izraisīt pārkarsējumu, uzliesmojumu vai pat sprādzienu.
4. Ja elektrolīts nonāk acīs, izskalojiet tās ar tīru ūdens un nekavējoties griezieties pie ārsta. Tas var izraisīt redzes zaudēšanu.

5. Neradiet īssavienojumu akumulatora kasetnē:
 - (1) Nepieskarieties spaiļēm ar elektrību vadošiem materiāliem.
 - (2) Neuzglabājiet akumulatoru kasetni kopā ar citiem metāla priekšmetiem, tādiem kā naglas, monētas u. c.
 - (3) Nepakļaujiet akumulatora kasetni ūdens vai lietus iedarbībai.

Akumulatora īssavienojums var radīt spēcīgu strāvas plūsmu, pārkaršanu, uzliesmojumu un pat sabojāt akumulatoru.

6. Neglabājiet un neizmantojiet darbarīku un akumulatora kasetni vietās, kur temperatūra var sasniegt vai pārsniegt 50 °C (122 °F).
7. Nededziniet akumulatora kasetni, pat ja tā ir stipri bojāta vai pilnībā nolietota. Akumulatora kasetne ugunī var eksplodēt.
8. Akumulatora kasetni nedrīkst naglot, griezt, saspiest, mest vai nometst, kā arī pa to nedrīkst sist ar cietu priekšmetu. Šādas darbības var izraisīt aizdegšanos, pārmērīgu karstumu vai sprādzienu.
9. Neizmantojiet bojātu akumulatoru.
10. Uz izmantotajiem litija jonu akumulatoriem attiecas likumdošanas prasības par bīstamiem izstrādājumiem. Komerciālā transportēšanā, ko veic, piemēram, trešās puses, transporta uzņēmumi, jāievēro uz iesaiņojuma un marķējuma norādītās īpašās prasības. Lai izstrādājumu sagatavotu nosūtīšanai, jāsazinās ar bīstamo materiālu speciālistu. Ievērojiet arī citus attiecināmos valsts normatīvus. Vaļējus kontaktus nosedziet ar līmlenti vai citādi pārklājiet, bet akumulatoru iesaiņojiet tā, lai sainī tas nevarētu izkustēties.
11. Lai utilizētu akumulatora kasetni, izņemiet to no darbarīka un likvidējiet drošā vietā. Ievērojiet vietējos noteikumus par akumulatora likvidēšanu.
12. Izmantojiet šos akumulatorus tikai ar izstrādājumiem, kurus norādījis Makita. Ievietojot šos akumulatorus nesaderīgos izstrādājumus, var rasties ugunsgrēks, pārmērīgs karstums, tie var uzsprāgt vai no tiem var iztecēt elektrolīts.
13. Ja darbarīks netiks lietots ilgu laiku, no tā jāizņem akumulators.
14. Lietošanas laikā vai pēc tās akumulatora kasetne var uzkrāt siltumu, kas var izraisīt apdegumus vai zemas temperatūras apdegumus. Ar karstu akumulatora kasetni apejieties rūpīgi.
15. Nepieskarieties darbarīka izvadam uzreiz pēc lietošanas, jo tas var būt sakarsis un izraisīt apdegumus.
16. Neļaujiet akumulatora kasetnes spaiļēs, atverēs un rievās uzkrāties skaidām, putekļiem vai netīrumiem. Tas var izraisīt sasilšanu, aizdegšanos, sprādzienu un instrumenta vai akumulatora kasetnes nepareizu darbību, un lietotājs var gūt apdegumus vai ievainojumus.
17. Neizmantojiet akumulatora kasetni augstsprieguma līniju tuvumā, izņemot gadījumus, kad darbarīks ir piemērots lietošanai augstsprieguma līniju tuvumā. Citādi darbarīks vai akumulatora kasetne var sākt darboties nepareizi vai tikt sabojāti.
18. Glabājiet akumulatoru bērnēm nepieejamā vietā.

SAGLABĀJIET ŠOS NORĀDĪJUMUS.

⚠UZMANĪBU: Lietojiet tikai oriģinālos Makita akumulatorus. Ja lietojat neoriģinālus Makita akumulatorus vai pārveidotus akumulatorus, tie var uzsprāgt un izraisīt aizdegšanos, traumas un materiālos zaudējumus. Tīks anulēta arī Makita darbarīka un lādētāja garantija.

Ieteikumi akumulatora kalpošanas laika pagarināšanai

1. Uzlādējiet akumulatora kasetni, pirms tā ir pilnībā izlādējusies. Vienmēr, kad ievērojāt, ka darbarīka darba jauda zudusi, apturiet darbarīku un uzlādējiet akumulatora kasetni.
2. Nekad neuzlādējiet pilnībā uzlādētu akumulatora kasetni. Pārmērīga uzlāde saīsina akumulatora kalpošanas laiku.
3. Uzlādējiet akumulatora kasetni istabas temperatūrā 10 °C - 40 °C. Karstai akumulatora kasetnei pirms uzlādes ļaujiet atdzist.
4. Kad akumulatora kasetne netiek izmantota, izņemiet to no darbarīka vai lādētāja.
5. Uzlādējiet litija jonu akumulatora kasetni, ja to ilgstoši nelietosit (vairāk nekā sešus mēnešus).

FUNKCIJU APRAKSTS

⚠UZMANĪBU: Pirms darbarīka regulēšanas vai tā darbības pārbaudes vienmēr pārlicinieties, ka darbarīks ir izslēgts un akumulatora kasetne ir izņemta.

Akumulatora kasetnes uzstādīšana un izņemšana

⚠UZMANĪBU: Vienmēr pirms akumulatora kasetnes uzstādīšanas vai noņemšanas izslēdziet darbarīku.

⚠UZMANĪBU: Uzstādot vai izņemot akumulatora kasetni, darbarīku un akumulatora kasetni turiet cieši. Ja darbarīku un akumulatora kasetni netur cieši, tie var izkrist no rokām un radīt bojājumus darbarīkam un akumulatora kasetnei, kā arī izraisīt ievainojumus.

► **Att.1:** 1. Sarkanās krāsas indikators 2. Poga 3. Akumulatora kasetne

Lai izņemtu akumulatora kasetni, izvelciet to no darbarīka, pārbindot kasetnes priekšpusē esošo pogu.

Lai uzstādītu akumulatora kasetni, salāgojiet akumulatora kasetnes mēlīti ar rievu ietvarā un iebīdīet to vietā. Ievietojiet to līdz galam, līdz tā ar klikšķi nofiksējas. Ja redzams attēlā parādītais sarkanais krāsas indikators, tas nozīmē, ka tas nav pilnīgi nofiksēts.

⚠UZMANĪBU: Vienmēr ievietojiet akumulatora kasetni tā, lai sarkanais indikators nebūtu redzams. Pretējā gadījumā tā var nejausi izkrist no darbarīka un izraisīt jums vai apkārtnējiem traumas.

⚠UZMANĪBU: Neievietojiet akumulatora kasetni ar spēku. Ja kasetne neslīd ietvarā viegli, tā nav pareizi ielikta.

Atlikušās akumulatora jaudas indikators

Tikai akumulatora kasetnēm ar indikatoru

► **Att.2:** 1. Indikatora lampas 2. Pārbaudes poga

Nospiediet akumulatora kasetnes pārbaudes pogu, lai pārbaudītu akumulatora atlikušo uzlādes līmeni. Indikatoru iedegsies uz dažām sekundēm.

Indikatora lampas			Atlikušā jauda
Iededzies	Izslēgts	Mirgo	
			No 75% līdz 100%
			No 50% līdz 75%
			No 25% līdz 50%
			No 0% līdz 25%
			Uzlādējiet akumulatoru.
			Iespējama akumulatora kļūme.

PIEZĪME: Reālā jauda var nedaudz atšķirties no norādītās atkarībā no lietošanas apstākļiem un apkārtējās temperatūras.

PIEZĪME: Akumulatora aizsardzības sistēmas darbības laikā mirgo pirmais (kreisais malējais) indikators.

Darbarīka/akumulatora aizsardzības sistēma

IEVĒRĪBAI: Atkarībā no lietošanas apstākļiem, ja darbarīkā iekļūrušies zari vai iekļuvuši netīrumi, darbarīks automātiski izslēdzas bez jebkādam norādēm. Šādā gadījumā izslēdziet darbarīku un izņemiet akumulatora kasetni; tad ar instrumentiem, piemēram, knaiblēm, izņemiet iekļūrušos zarus vai netīrumus. Kad zari vai netīrumi ir izņemti, ievietojiet akumulatora kasetni un ieslēdziet darbarīku.

Darbarīkam ir darbarīka/akumulatora aizsardzības sistēma. Šī sistēma automātiski izslēdz strāvas padevi motoram, lai pagarinātu darbarīka un akumulatora darbību. Lietošanas laikā darbarīks automātiski pārstās darboties, ja darbarīku vai akumulatoru pakļaus kādam no šādiem apstākļiem.

Aizsardzība pret pārslodzi

Ja darbarīku vai akumulatoru lieto tā, ka tas patērē pārmērīgi lielu strāvas daudzumu, darbarīks automātiski pārtrauc darbību. Šādā gadījumā izslēdziet darbarīku un pārtrauciet darbību, kas izraisa darbarīka pārslodzi. Pēc tam ieslēdziet darbarīku, lai atsāktu darbu.

Aizsardzība pret pārkaršanu

Kad darbarīks vai akumulators ir pārkaris, darbarīks automātiski pārstāj darboties. Šādā gadījumā ļaujiet darbarīkam un akumulatoram atdzist un tikai pēc tam atkal ieslēdziet darbarīku.

Aizsardzība pret akumulatora pārmērīgu izlādi

Ja akumulatora jaudas līmenis ir zems, darbarīks automātiski pārstāj darboties. Šajā gadījumā akumulatoru izņemiet no darbarīka un uzlādējiet.

Aizsardzība pret citiem cēloņiem

Aizsardzības sistēma ir paredzēta arī pret citiem cēloņiem, kas varētu izraisīt darbarīka bojājumus, un nodrošina automātisku darbarīka apturēšanu. Ja darbarīka darbība ir īslaicīgi apstājusies vai tas pārstājis darboties, cēloņu novēršanai veiciet visas tālāk norādītās darbības.

1. Izslēdziet un ieslēdziet darbarīku, lai to no jauna iedarbinātu.
2. Uzlādējiet akumulatoru(-us) vai nomainiet to/tos ar uzlādētu(-iem) akumulatoru(-iem).
3. Ļaujiet iekārtai un akumulatoram(-iem) atdzist.

Ja pēc aizsardzības sistēmas atjaunošanas nav uzlabojumu, sazinieties ar vietējo Makita tehniskās apkopes centru.

IEVĒRĪBAI: Ja darbarīks izslēdzas kāda iepriekš neaprakstīta iemesla dēļ, skatiet sadaļu par problēmu novēršanu.

Slēdža darbība

▲BRĪDINĀJUMS: Jūsu drošības dēļ šim darbarīkam ir slēdža svira, kas novērš darbarīka nejaušu iedarbināšanu. NEKAD nelietojiet darbarīku, ja to var iedarbināt, tikai piespiežot slēdža mēlīti bez slēdža sviras nospiešanas. PIRMS turpmākas lietošanas nododiet darbarīku pilnvarotā apkopes centrā, lai veiktu pienācīgu remontu.

▲BRĪDINĀJUMS: NEKAD nenostipriniet atbloķēšanas sviru nospiežot stāvoklī un nomainiet tās paredzēto nolūku vai funkciju.

▲BRĪDINĀJUMS: Pirms akumulatora kasetnes ievietošanas darbarīkā vienmēr pārbaudiet, vai slēdža mēlīte un slēdža svira darbojas pareizi un pēc atlaišanas atgriežas pozīcijā „OFF” (izslēgts). Lietojot darbarīku, kura slēdzis nedarbojas pareizi, darbarīks var kļūt nevadāms un radīt nopietnas traumas.

▲UZMANĪBU: Kad darbarīku pārnēsājat, nekad nenovietojiet pirkstu uz slēdža. Darbarīks var sākt nejauši darboties un izraisīt traumas.

Lai iedarbinātu darbarīku, satveriet priekšējo rokturi, nospiežot slēdža sviru, un nospiediet slēdža mēlīti. Lai apturētu darbarīku, atļaidiet vai nu slēdža mēlīti, vai slēdža sviru.

- **Att.3:** 1. Priekšējais rokturis 2. Slēdža svira
3. Slēdža mēlīte

Gaismas indikators

- **Att.4:** 1. Gaismas indikators

Indikatora lampiņa mirgo vai iedegas, kad akumulatora uzlādes līmenis kļūst pārāk zems vai kad darbarīks darbojas ar pārslodzi. Lai izprastu indikatora rādījumu un uzzinātu atbilstošo veicamo darbību, skatiet šo tabulu.

Gaismas indikators	Statuss	Veicamā darbība
Lampiņa mirgo sarkanā krāsā.	Atlikusī akumulatora jauda ir maza.	Uzlādējiet akumulatoru vai nomainiet to ar uzlādētu akumulatoru.
Lampiņa deg sarkanā krāsā.	Akumulators ir izlādējies.	Uzlādējiet akumulatoru vai nomainiet to ar uzlādētu akumulatoru.
	Darbarīks ir apstājies pārslodzes dēļ.	Izslēdziet darbarīku un novērsiet pārslodzes cēloni.
	Darbarīks ir apstājies pārkaršanas dēļ.	Izslēdziet darbarīku un atdesējiet to un akumulatoru.

PIEZĪME: Precīzs laiks, kad indikatora lampiņa sāk mirgot vai iedegas, ir atkarīgs no temperatūras darba vietā un akumulatora kasetnes stāvokļa.

Elektroniskā funkcija

Lai atvieglotu lietošanu, darbarīks ir aprīkots ar elektroniskām funkcijām.

- Nemainīga ātruma vadība
Ātruma vadības funkcijas nodrošina nemainīgu griešanās ātrumu neatkarīgi no slodzes.
- Elektrobremze
Darbarīks ir aprīkots ar elektrobremzi. Ja pastāvīgi gadās, ka darbarīka šķēru asmeņiem pēc slēdža mēlītes atlaišanas nenotiek ātra apturēšana, nododiet darbarīku remonta veikšanai Makita pilnvarotā servisa centrā.
- Nejaušas atkārtotas ieslēgšanas nepieļaušanas funkcija
Darbarīks nesāk darboties pat tad, ja, ievietojot akumulatora kasetni, slēdža mēlīte ir nospiesta. Lai iedarbinātu darbarīku, vispirms atļaidiet un tad atkal nospiediet slēdža mēlīti.

MONTĀŽA

▲UZMANĪBU: Pirms darbarīka regulēšanas vai apkopes vienmēr pārliecinieties, ka darbarīks ir izslēgts un akumulatora kasetne ir izņemta.

▲UZMANĪBU: Mainot šķēru asmeņus, vienmēr uzvelciet cimdus, lai rokām nebūtu tiešas saskares ar asmeņiem.

IEVĒRĪBAI: Šķēru asmeņu nomainīšanas gadījumā noslaukiet smērvielu no pārvad mehānisma un palaidies kļoņa.

Šķēru asmeņu uzstādīšana vai noņemšana

⚠UZMANĪBU: Pirms šķēru asmeņu noņemšanas vai uzstādīšanas uzstādiet asmeņu apvalku.

Savam darbarīkam varat uzstādīt 500 mm vai 600 mm šķēru asmeņus.

1. Uzlieciet asmeņu apvalku šķēru asmeņiem.
▶ **Att.5:** 1. Asmeņu apvalks
2. Apvēršiet darbarīku otrādi, tad izskrūvējiet 6 skrūves un pēc tam noņemiet apvalku un plāksni.
▶ **Att.6:** 1. Skrūve 2. Apvalks 3. Plāksne

PIEZĪME: Plāksne var palikt uz pārsega.

3. Ar taisno skrūvgriezi pagrieziet kloķi tā, lai 2 caurumi atrastos perpendikulāri šķēru asmeņiem.
▶ **Att.7:** 1. Palaides kloķis 2. Atvere
4. Izskrūvējiet 2 bultskrūves, noņemiet filca pamatni un uzmavas un pēc tam noņemiet šķēru asmeņus.
▶ **Att.8:** 1. Filca pamatne 2. Skrūve 3. Uzmava 4. Šķēru asmeņi
5. Noņemiet asmeņu apvalku un uzlieciet to jaunajiem šķēru asmeņiem.
▶ **Att.9:** 1. Asmeņu apvalks
6. Savietojiet šķēru asmeņu aizmugures malas, kā parādīts attēlā.
▶ **Att.10:** 1. Aizmugures mala
7. Mazliet pabīdīiet šķēru asmeņus, kā parādīts attēlā, un pēc tam piestipriniet uzmavas šķēru asmeņiem.
▶ **Att.11:** 1. Uzmava
8. Mazliet pabīdīiet asmeņu apvalku šķēru asmeņu gala virzienā un pēc tam piestipriniet šķēru apvalkus darbarīkam.
▶ **Att.12:** 1. Šķēru asmeņi

IEVĒRĪBAI: Šķēru asmeņu atveres iekšpusē visapkārt uzklājiet nelielu smērvielas daudzumu.

IEVĒRĪBAI: Uzmanieties, lai nepazaudētu uzmavas.

9. Pabīdīiet šķēru asmeņus un uzmavas tā, lai caurumi uzmavās savietotos ar caurumiem darbarīkā.
▶ **Att.13:** 1. Caurums darbarīkā 2. Caurums uzmavā
10. Pievelciet skrūves, lai nostiprinātu šķēru asmeņus.
▶ **Att.14:** 1. Skrūve
11. Pievienojiet šķēru asmeņiem filca pamatni.
▶ **Att.15:** 1. Filca pamatne
12. Pievienojiet plāksni.
▶ **Att.16:** 1. Plāksne
13. Piestipriniet pārsegu un ieskrūvējiet 6 skrūves.
▶ **Att.17:** 1. Skrūve 2. Apvalks

IEVĒRĪBAI: Ja šķēru asmeņi nekustas laideni, tie nav pareizi savietoti ar kloķi. Vēlreiz uzstādiet šķēru asmeņus.

IEVĒRĪBAI: Ja ir nolietoto detaļas, kas nav šķēru asmeņi, piemēram, kloķis, vērsieties Makita pilnvarotos apkopes centros, lai iegūtu rezerves daļas vai veiktu remontu.

Atgriezumū savācēja uzstādīšana vai noņemšana

Papildpiederumi

⚠UZMANĪBU: Uzliekot vai noņemot atgriezumū savācēju, vienmēr uzvelciet cimdus, lai rokām nebūtu tiešas saskares ar šķēru asmeņiem.

IEVĒRĪBAI: Asmens apvalku nevar uzstādīt, ja darbarīkam ir uzstādīts atgriezumū savācējs. Pirms darbarīka pārnēsāšanas vai glabāšanas noņemiet atgriezumū savācēju un uzlieciet asmens apvalku, lai nepieļautu saskaršanos ar asmeni.

IEVĒRĪBAI: Pirms atgriezumū savācēja uzstādīšanas noņemiet asmens apvalku.

Atgriezumū savācējā tiek savāktas apgrieztās lapas, un pēc tam ir daudz vieglāk sakopt darba vietu. To var uzstādīt jebkurā darbarīka pusē.

1. Savietojiet atgriezumū savācēja atveres ar šķēru asmeņu skrūvēm.
▶ **Att.18:** 1. Skrūve
2. Piestipriniet atgriezumū savācēja fiksatorus šķēru asmeņu rievā.
▶ **Att.19:** 1. Fiksators 2. Rieva
3. Nospiediet atgriezumū savācēja sviras, tad piestipriniet fiksatorus otrā pusē šķēru asmeņu rievā.
▶ **Att.20:** 1. Svira

Lai atvienotu atgriezumū savācēju, nospiediet sviras, tādējādi atbrīvojot fiksatorus.
▶ **Att.21:** 1. Svira

IEVĒRĪBAI: Nemēģiniet noņemt atgriezumū savācēju ar pārmērīgu spēku, ja tā āķi ir nofiksēti šķēru asmeņos.

EKSPLUATĀCIJA

⚠BRĪDINĀJUMS: Nelieciet rokas šķēru asmeņu tuvumā.

⚠UZMANĪBU: Pēc iespējas nelietojiet darbarīku ļoti karstā laikā. Lietojot darbarīku, ņemiet vērā savu fizisko stāvokli.

⚠UZMANĪBU: Griešanas laikā uzmanieties, lai nejausī nesaskartos ar metāla sētu vai citiem cietiem priekšmetiem. Šķēru asmeņi var salūzt un izraisīt nopietnus savainojumus.

⚠UZMANĪBU: Uzmanieties, lai šķēru asmeņi nesaskartos ar zemi. Darbarīks var atsīties un radīt nopietnus savainojumus.

⚠UZMANĪBU: Stiepšanās pāri kaut kam ar dzīvīgu apgrībēmašīnu, it īpaši no pieslienamajām kāpnēm, ir ļoti bīstama. Neveiciet darbu, stāvot uz nestabiliem un neizturīgiem objektiem.

IEVĒRĪBAI: Ar šo darbarīku nemēģiniet nogriezt zarus, kuru diametrs pārsniedz 10 mm. Pirms darbarīka izmantošanas vispirms ar zaru šķērēm nogrieziet zarus 10 cm zemāk nekā griešanas augstums.

- ▶ **Att.22:** (1) Griešanas augstums (2) 10 cm

IEVĒRĪBAI: Negrieziet nokaltušus kokus vai līdzīgus cietus priekšmetus. Tādējādi varat sabojāt darbarīku.

IEVĒRĪBAI: Ar šķēru asmeņiem negrieziet zāli vai nezāles. Šķēru asmeņi var sapīties zālē vai nezālēs.

Ar abām rokām turiet darbarīku, satveriet priekšējo rokturi, vienlaikus nospiežot slēdža sviru un pavelkot slēdža mēlīti, un pēc tam virziet darbarīku uz priekšu.

► **Att.23**

Pamata darbībai sasveriet šķēru asmeņus griešanas virzienā un lēnām un mierīgi pārvietojiet tos ar ātrumu no 3 līdz 4 sekundēm metrā.

► **Att.24**

Lai līdzeni apgrieztu dzīvzoga augšpusi, vēlamajā augstumā novelciet auklu un grieziet gar to.

► **Att.25**

Ja pie šķēru asmeņiem ir nostiprināts atgriezumam savācējs, tas savāc apgrieztās lapas, un pēc tam ir daudz vieglāk sakopt darba vietu.

► **Att.26**

Lai līdzeni apgrieztu dzīvzoga sānu daļu, grieziet no apakšas uz augšu.

► **Att.27**

Ja griežat, lai izveidotu apaļu formu (apgriežot bukšus, rododendrus u. c.), grieziet no saknēm līdž galotnei, veidojot pabeigtu formu.

► **Att.28**

APKOPE

⚠UZMANĪBU: Pirms darbarīka pārbaudes vai apkopes vienmēr pārliecinieties, ka darbarīks ir izslēgts un akumulatora kasetne ir izņemta.

Lai saglabātu izstrādājuma DROŠU un UZTICAMU darbību, remontdarbus, apkopi un regulēšanu uzticiet veikt tikai Makita pilnvarotam vai rūpnīcas apkopes centram, un vienmēr izmantojiet tikai Makita rezerves daļas.

Darbarīka tīrīšana

Tīriet darbarīku, noslaukot putekļus ar sausu drānu vai drānu, kas samērcēta ziepjūdenī un izgriezta.

IEVĒRĪBAI: Nekad neizmantojiet gāzoliņu, benzīnu, atšķaidītāju, spirtu vai līdzīgus šķīdumus. Tas var radīt izbalēšanu, deformāciju vai plaisas.

Šķēru asmens tehniskā apkope

Pirms ekspluatācijas vai reizi stundā ekspluatācijas laikā uzklājiet uz šķēru asmeņiem zemas viskozitātes eļļu (mašīneļļu vai izsmidzināmu smēreļļu).

► **Att.29**

Pēc darba no abām šķēru asmeņu pusēm notīriet putekļus, izmantojot stieplu suku, noslaukiet ar drānu un pēc tam uzklājiet uz šķēru asmeņiem zemas viskozitātes eļļu (mašīneļļu vai izsmidzināmu smēreļļu).

► **Att.30**

IEVĒRĪBAI: Nemazgājiet šķēru asmeņus ar ūdeni. Šis norādes neievērošana var izraisīt rūsu vai darbarīka bojājumus.

IEVĒRĪBAI: Netīrumi un korozija izraisa pastiprinātu asmeņu berzi un saīsina darbības laiku ar vienu akumulatora uzlādi.

Glabāšana

Āķa atvere darbarīka apakšdaļā ir paredzēta, lai darbarīku pakarinātu pie sienas uz naglas vai skrūves. Uzlieciet asmeņu apvalku uz šķēru asmeņiem tā, lai asmeņi nebūtu redzami. Darbarīku glabājiet bērniem nepieejamā vietā. Darbarīku glabājiet tādā vietā, kas pasargāta no mitruma un lietus.

► **Att.31:** 1. Atvere

Šķēru asmeņu asināšana

IEVĒRĪBAI: Ja asināšanas rezultātā šķēru asmeņi ir būtiski deformējušies, nomainiet šķēru asmeņus.

1. Ievietojiet darbarīkā akumulatora kasetni.
2. Ieslēdziet un iedarbiniet darbarīku, lai augšējais asmens un apakšējais asmens būtu novietoti pamišus.
- **Att.32**
3. Izslēdziet darbarīku un izņemiet no tā akumulatora kasetni.
4. Turiet vīli 35° leņķī un asiniet ar to augšējo asmeni no 2 pusēm.
- **Att.33:** (1) Vīle (2) 35°

⚠UZMANĪBU: Pirms šķēru asmeņu asināšanas pārliecinieties, ka darbarīks ir izslēgts un akumulatora kasetne ir izņemta no darbarīka.

5. Novietojiet darbarīku otrādi un notīriet šķēru asmeņu atskarpes, izmantojot galodu.
- **Att.34:** 1. Galoda
6. Turiet vīli 35° leņķī un asiniet ar to apakšējo asmeni no 2 pusēm.
7. Novietojiet darbarīku normālā pozīcijā un notīriet šķēru asmeņu atskarpes, izmantojot galodu.

Eļļošana ar smērvielu

Eļļošanas intervāls: ik pēc 50 darba stundām

1. Izņemiet skrūvi no atvērums, lai varētu ieeļļot.
- **Att.35:** 1. Skrūve
2. Noņemiet smērvielas trauka vāciņu. Savietojiet smērvielas trauka snīpīti ar caurumu pārsegā un tad pagrieziet smērvielas trauku, lai pievienotu smērvielas trauka snīpīti caurumam.
- **Att.36:** 1. Smērvielas trauks 2. Atvere
3. Iespieties darbarīkā smērvielu (aptuveni 3 g).
4. Noņemiet smērvielas trauku.
5. Ieskrūvējiet skrūvi.

PROBLĒMU NOVĒRŠANA

Pirms nodošanas remontā vispirms veiciet pārbaudi pats. Ja konstatējat kļūmi, kas nav aprakstīta rokasgrāmatā, nemēģiniet darbarīku izjaukt. Dodieties uz Makita pilnvarotu apkopes centru un remontam vienmēr izmantojiet tikai Makita rezerves daļas.

Neatbilstošas darbības stāvoklis	Iespējamais iemesls (kļūme)	Risinājums
Motors nedarbojas.	Nav ievietota akumulatora kasetne.	Ievietojiet akumulatora kasetni.
	Akumulatora kļūme (zems spriegums)	Uzlādējiet akumulatoru. Ja uzlāde neizdodas, nomainiet akumulatoru.
	Piedziņas sistēma nedarbojas pareizi.	Dodieties to remontēt vietējā pilnvarotā apkopes centrā.
Motors izslēdzas pēc neilgas darbināšanas.	Akumulatora uzlādes līmenis ir par zemu.	Uzlādējiet akumulatoru. Ja uzlāde neizdodas, nomainiet akumulatoru.
	Darbarīks pārkarsis.	Apturiet darbarīku, lai tas atdzistu.
Darbarīks nesasniedz maksimālo apgriezīenu skaitu minūtē.	Nepareizi ievietota akumulatora kasetne.	Uzstādiet akumulatora kasetni, kā aprakstīts šajā rokasgrāmatā.
	Samazinās akumulatora jauda.	Uzlādējiet akumulatoru. Ja uzlāde neizdodas, nomainiet akumulatoru.
	Piedziņas sistēma nedarbojas pareizi.	Dodieties to remontēt vietējā pilnvarotā apkopes centrā.
Šķēru asmeņi nekustas: ⇒ nekavējoties apturiet mašīnu!	Šķēru asmeņos ir iekērušies svešķermeņi.	Izslēdziet darbarīku un izņemiet akumulatora kasetni; tad ar instrumentiem, piemēram, knaiblēm, izņemiet iekērušos zarus vai netīrumus.
	Piedziņas sistēma nedarbojas pareizi.	Dodieties to remontēt vietējā pilnvarotā apkopes centrā.
Pārmērīga vibrācija: ⇒ nekavējoties apturiet mašīnu!	Šķēru asmeņi ir salūzuši, salocīti vai nodiluši.	Nomainiet šķēru asmeņus.
	Piedziņas sistēma nedarbojas pareizi.	Dodieties to remontēt vietējā pilnvarotā apkopes centrā.
Nevar apturēt šķēru asmeņus un motoru: ⇒ nekavējoties izņemiet akumulatoru!	Elektriska kļūme.	Izņemiet akumulatoru un sazinieties ar vietējo pilnvaroto apkopes centru, lai vienos par remontu.

PAPILDU PIEDERUMI

⚠ UZMANĪBU: Šādi piederumi un papildierīces tiek ieteiktas lietošanai ar šajā rokasgrāmatā aprakstīto Makita darbarīku. Izmantojot citus piederumus vai papildierīces, var tikt radīta traumu gūšanas bīstamība. Piederumu vai papildierīci izmantojiet tikai paredzētajam mērķim.

Ja jums vajadzīga palīdzība vai precīzāka informācija par šiem piederumiem, vērsieties savā tuvākajā Makita apkopes centrā.

- Šķēru asmens mezgls
- Šķēru asmens apvalks
- Atgriezumam savācējs
- Smērvielas trauks
- Makita oriģinālais akumulators un lādētājs

PIEZĪME: Daži sarakstā norādītie izstrādājumi var būt iekļauti instrumenta komplektācijā kā standarta piederumi. Tie dažādās valstīs var būt atšķirīgi.

SPECIFIKACIJOS

Modelis:	DUH506	DUH606
Ašmenų ilgis	500 mm	600 mm
Smūgių per minutę	4 000 min ⁻¹	
Bendras ilgis (be akumulatoriaus)	846 mm	965 mm
Vardinė įtampa	Nuol. sr. 18 V	
Grynasis svoris	2,5–2,9 kg	2,7–3,0 kg

- Atliekame tęstinius tyrimus ir nuolatos tobuliname savo gaminius, todėl čia pateikiamos specifikacijos gali būti keičiamos be įspėjimo.
- Techninės sąlygos įvairiose šalyse gali skirtis.
- Svoris gali priklausyti nuo priedo (-ų), įskaitant akumulatoriaus kasetę. Lengviausias ir sunkiausias deriniai pagal EPTA 2014 m. sausio mėn. procedūrą yra parodyti lentelėje.

Tinkama akumulatoriaus kasetė ir (arba) įkroviklis

Akumulatoriaus kasetė	BL1815N / BL1820B / BL1830B / BL1840B / BL1850B / BL1860B
Įkroviklis	DC18RC / DC18RD / DC18RE / DC18SD / DC18SE / DC18SF / DC18SH / DC18WC

- Atsižvelgiant į gyvenamosios vietos regioną, kai kurios pirmiau nurodytos akumulatoriaus kasetės ir įkrovikliai gali būti neprieinami.

⚠️ ĮSPĖJIMAS: Naudokite tik akumulatoriaus kasetes ir įkroviklius, kurie nurodyti anksčiau. Naudojant bet kurias kitas akumulatoriaus kasetes ir įkroviklius, gali kilti sužeidimo ir gaisro pavojus.





Rekomenduojamas laidu prijungiamas maitinimo šaltinis

Nešiojamasis maitinimo šaltinis	PDC01
---------------------------------	-------

- Atsižvelgiant į gyvenamosios vietos regioną, pirmiau nurodytas (-i) laidu prijungiamas (-i) maitinimo šaltinis (-iai) gali būti neprieinamas (-i).
- Prieš naudodami laidu prijungiamą maitinimo šaltinį, perskaitykite instrukciją ir ant jų pateiktus perspėjimus.

Simboliai

Toliau yra nurodyti simboliai, kurie gali būti naudojami įrangai. Prieš naudodami įsitikinkite, kad suprantate jų reikšmę.

	Perskaitykite instrukcijų vadovą.
	Naudokite akių apsaugos priemones.
	PAVOJUS. Laikykite rankas atokiau nuo peilio.
	Saugokite nuo drėgmės.



Ni-MH
Li-ion

Taikoma tik ES šalims

Kadangi įrangoje yra pavojingų komponentų, panaudota elektrinė ir elektroninė įranga, akumulatoriai ir baterijos gali turėti neigiamo poveikio aplinkai ir žmonių sveikatai.

Nešalinkite elektros ir elektroninių prietaisų ar baterijų kartu su būtinėmis atliekomis! Pagal Europos direktyvą dėl elektros ir elektroninės įrangos atliekų bei akumulatorių ir baterijų ir panaudotų akumulatorių ir baterijų bei jos pritaikymą nacionaliniams įstatymams, panaudota elektros ir elektroninė įranga, baterijos ir akumulatoriai turi būti surenkami atskirai ir pristatomi į atskirą buitinių atliekų surinkimo punktą, kuris veikia pagal aplinkos apsaugos taisykles. Tai rodo perbrauktas konteinerio ant ratukų simbolis, pateiktas ant įrangos.



Garantuojamas garso galios lygis pagal ES lauko triukšmo direktyvą.



Garso galios lygis pagal Australijos NSW triukšmo kontrolės reglamentą

Numatytoji naudojimo paskirtis

Šis įrankis skirtas gyvatvorėms kirpti.

Triukšmas

Taikomas standartas : EN62841-4-2

Modelis	Garso slėgio lygis		Garso galios lygis	
	L _{PA} (dB(A))	Paklaida K (dB(A))	L _{WA} (dB(A))	Paklaida K (dB(A))
DUH506	77	3	88	3
DUH606	79	3	90	3

PASTABA: Paskelbta (-os) triukšmo reikšmė (-ės) nustatyta (-os) pagal standartinį testavimo metodą ir jį galima naudoti vienam įrankiui palyginti su kitu.

PASTABA: Paskelbta (-os) triukšmo reikšmė (-ės) taip pat gali būti naudojama (-os) norint preliminariai įvertinti triukšmo poveikį.

⚠️ ĮSPĖJIMAS: Dėvėkite ausų apsaugą.

⚠️ ĮSPĖJIMAS: Faktiškai naudojant elektrinį įrankį, keliamo triukšmo dydis gali skirtis nuo paskelbtos (-ų) reikšmės (-ių), priklausomai nuo būdų, kuriais yra naudojamas šis įrankis, ir ypač nuo to, kokio tipo ruošinys apdirbamas.

⚠️ ĮSPĖJIMAS: Siekdami apsaugoti operatorių, būtina įvertinkite saugos priemones, remdamiesi vibracijos poveikio įvertinimu esant faktinėms naudojimo sąlygoms (atsižvelgdami į visas darbo ciklo dalis, pavyzdžiui, ne tik kiek laiko įrankis veikia, bet ir kiek kartų jis yra išjungiamas bei kai jis veikia be apkrovų).

Vibracija

Vibracijos bendroji vertė (triašio vektorius suma) nustatyta pagal EN62841-4-2 standartą:

Modelis	Priekinė rankena		Galinė rankena	
	ah (m/s ²)	Paklaida K (m/s ²)	ah (m/s ²)	Paklaida K (m/s ²)
DUH506	2,5 m/s ² arba mažiau	1,5	2,5 m/s ² arba mažiau	1,5
DUH606	2,5 m/s ² arba mažiau	1,5	2,5 m/s ² arba mažiau	1,5

PASTABA: Paskelbta (-os) vibracijos bendroji (-osios) reikšmė (-ės) nustatyta (-os) pagal standartinį testavimo metodą ir jį galima naudoti vienam įrankiui palyginti su kitu.

PASTABA: Paskelbta (-os) vibracijos bendroji (-osios) reikšmė (-ės) taip pat gali būti naudojama (-os) norint preliminariai įvertinti vibracijos poveikį.

⚠️ ĮSPĖJIMAS: Faktiškai naudojant elektrinį įrankį, keliamos vibracijos dydis gali skirtis nuo paskelbtos (-ų) reikšmės (-ių), priklausomai nuo būdų, kuriais yra naudojamas šis įrankis, ir ypač nuo to, kokio tipo ruošinys apdirbamas.

⚠️ ĮSPĖJIMAS: Siekdami apsaugoti operatorių, būtina įvertinkite saugos priemones, remdamiesi vibracijos poveikio įvertinimu esant faktinėms naudojimo sąlygoms (atsižvelgdami į visas darbo ciklo dalis, pavyzdžiui, ne tik kiek laiko įrankis veikia, bet ir kiek kartų jis yra išjungiamas bei kai jis veikia be apkrovų).

EB atitikties deklaracija

Tik Europos šalims

EB atitikties deklaracija yra pridedama kaip šio instrukcijų vadovo A priedas.

SAUGOS ĮSPĖJIMAI

Bendrieji įspėjimai dirbant elektriniais įrankiais

⚠️ ĮSPĖJIMAS: Perskaitykite visus saugos įspėjimus, instrukcijas, iliustracijas ir techninius duomenis, pateiktus kartu su šiuo elektriniu įrankiu. Nesilaikant visų toliau išvardytų instrukcijų galima patirti elektros smūgį, gali kilti gaisras ir (arba) galima sunkiai susižaloti.

Išsaugokite visus įspėjimus ir instrukcijas, kad galėtumėte jas peržiūrėti ateityje.

Terminas „elektrinis įrankis“ pateiktuose įspėjimuose reiškia į maitinimo tinklą jungiamą (laidinį) elektrinį įrankį arba akumulatoriaus maitinamą (belaidį) elektrinį įrankį.

Saugos įspėjimai dėl akumulatorinių gyvatvorių žirklių naudojimo

1. **Visas kūno dalis laikykite toliau nuo peilio. Nebandykite šalinti nuopjovų ar laikyti pjaujamą dalį peiliams judant.** Išjungus jungiklį, peiliai dar kurį laiką sukasi. Dirbant gyvatvorių žirkliams užtenka vienos neatidumo akimirkos ir galima sunkiai susižeisti.
2. **Gyvatvorės žirkles neškite už rankenos, sustabdę peilius ir atsargiai, kad nepanaudotumėte jokio maitinimo jungiklio.** Tinkamai nešant gyvatvorės žirkles sumažės netyčinio paleidimo ir asmeninio sužalojimo peiliais rizika.
3. **Transportuodami ar sandėliuodami ant gyvatvorės žirklių visada uždėkite peilių gaubtą.** Tinkamai tvarkant gyvatvorės žirkles sumažės asmeninio sužalojimo peiliais rizika.
4. **Kai šalinatė užstrigusią medžiagą arba atliekatė įrenginio priežiūros darbus, įsitikinkite, kad visi maitinimo jungikliai yra išjungti ir akumulatorius yra išimtas arba atjungtas.** Netikėtai įjungus gyvatvorės žirkles valant užstrigusią medžiagą arba atliekant priežiūros darbus galima sunkiai susižeisti.
5. **Laikykite gyvatvorės žirkles tik už izoliuotų, laikyti skirtų vietų, nes peiliai gali užkliudyti nematomus laidus.** Peiliais užkliudžius laidą, kuriuo teka srovė, įtampa gali būti perduota neizoliuotoms metalinėms gyvatvorės žirklių dalims ir operatorius gali gauti elektros smūgį.
6. **Visus elektros laidus ir kabelius laikykite toliau nuo pjovimo srities.** Elektros laidai ar kabeliai gali pasislėpti gyvatvorėse ar krūmuose ir juos galima netyčia nupjauti peiliais.
7. **Nenaudokite gyvatvorės žirklių esant blogam orui ir ypač tada, kai gali žaibuoti.** Taip sumažinsite žaibo trenkimo riziką.
8. **Perduodami gyvatvorių žirkles kitam asmeniui, padėkite jas ant žemės ir atsitraukite.** Jas paimti jis galės tik kai visiškai atitrauksite ranką nuo gyvatvorių žirklių. Jei bandysite perduoti gyvatvorių žirkles iš vieno rankų į kitas, bus vienu metu laikoma ir už priekinės, ir už galinės rankenų: tokiu atveju gyvatvorių žirkles netikėtai bus paleistos. Netikėtai paleidus, kas nors gali rimtai susižeisti.

Papildomi nurodymai dėl saugumo

Pasiruošimas

1. **Prieš naudodami įrankį patikrinkite gyvatvorės ir krūmus, ar nėra pašalinių medžiagų, pvz., vielinių tvorų ar užslėptų vielų.**
2. **Įrankio neleidžiama naudoti vaikams ir asmenims, jaunesniems nei 18 metų.** Jauniems asmenims (bet vyresniems nei 16) gali būti taikoma išimtis, jei jie yra mokomi dirbti žirkliams, prižiūrint specialistui.

3. **Pradedantieji vartotojai turi paprašyti patyrusių įrankio vartotojų parodyti, kaip naudojamas įrankis.**
4. **Naudokite šį įrankį tik būdami geros fizinės būklės.** Jei esate pavargę, jūsų dėmesys bus sumažėjęs. Ypač atsargiai dirbkite darbo dienos pabaigoje. Visus darbus atlikite ramiai ir atidžiai. Vartotojas atsakingas už visą žalą, padarytą trečiajai šaliai.
5. **Niekada nenaudokite įrankio apsvaigę nuo alkoholio, narkotinių medžiagų ar vaistų.**
6. **Darbinės storos odos pirštines yra viena pagrindinių įrankio priemonių dalių ir jas reikia mūvėti viso darbo įrankiu metu.** Taip pat avėkite tvirtus batus neslystančiais padais.
7. **Prieš pradėdami darbą, įsitikinkite, kad įrankis yra geros, saugiam darbui tinkamos būklės. Įsitikinkite, kad apsaugos yra tinkamai pritvirtintos. Įrankį galima naudoti tik visiškai sukomplektuotą.**

Naudojimas

1. **Darbo metu įrankį tvirtai laikykite abiem rankomis.**
2. **Įrankį operatorius turi naudoti nuo žemės. Nenaudokite įrankio stovėdami ant kopėčių arba kitos nestabilios atramos.**
3. **PAVOJUS - Rankas laikykite kuo toliau nuo asmenų.** Pritietę asmenis galite sunkiai susižeisti.
4. **Nenaudokite įrankio lyjant ar šlapiomis arba labai drėgnomis sąlygomis.** Elektros variklis nėra apsaugotas nuo vandens.
5. **Prieš pradėdami darbą, įsitikinkite, kad tvirtai stovite.**
6. **Be reikalo nenaudokite įrankio be apkrovos.**
7. **Žirklių peiliams užkabinus tvorą ar kitą kietą daiktą, nedelsdami išjunkite įrankį ir ištraukite akumulatoriaus kasetę.** Patikrinkite, ar peiliai nepažeisti, ir nedelsdami pakeiskite, jei pastebite pažeidimų.
8. **Prieš tikrindami žirklių peilius, taisydami gedimus ar šalindami žirklių peiliuose įstrigusią medžiagą, visada išjunkite įrankį ir ištraukite akumulatoriaus kasetę.**
9. **Niekada nenukreipkite žirklių peilių į save ar kitus žmones.**
10. **Jei peiliai nustoja judėti dėl tarp jų darbo metu įstrigusių pašalinių medžiagų, išjunkite įrankį ir išimkite akumulatoriaus kasetę, tada įrankiu, pvz., replėmis, pašalinkite pašalines medžiagas. Ranka šalinant pašalines medžiagas galima susižeisti, kadangi peiliai, reagudami į šalinamas pašalines medžiagas, gali pajudėti.**

Elektros ir akumulatoriaus sauga

1. **Venkite pavojingos aplinkos. Nenaudokite šio įrankio drėgnoje arba šlapioje vietoje, saugokite jį nuo lietaus.** Į įrankį patekęs vanduo padidins elektros smūgio pavojų.
2. **Nemeskite akumulatoriaus (-ių) į ugnį.** Akumulatoriaus elementas gali sprogti. Pasitikrinkite, ar vietiniai įstatymai nenurodo specialaus išmetimo būdo.
3. **Neatidarykite ir neardykite akumulatoriaus (-ių).** Ištekėjęs elektrolitas yra esdinančioji medžiaga, kuri gali pažeisti akis ar odą. Nurytas jis gali apnuodyti.

4. Nenaudokite akumulatoriaus lyjant arba drėgnose vietose.
 5. Nekraukite akumulatoriaus lauke.
 6. Neimkite įkroviklio, įskaitant įkroviklio kištuką ir gnybtus, drėgnomis rankomis.
- Techninė priežiūra ir laikymas**
1. Prieš atlikdami bet kokius techninės priežiūros darbus, išjunkite įrankį ir ištraukite akumulatoriaus kasetę.
 2. Pernešdami įrankį į kitą vietą, taip pat ir darbo metu, visada ištraukite akumulatoriaus kasetę ir uždėkite ant žirklių peilių apsauginį gaubtą. Niekada neškite ir netransportuokite įrankio peiliams veikiant. Niekada neimkite peilių rankomis.
 3. Po naudojimo ir padėdami saugoti ilgesniam laikotarpiui išvalykite įrankį, ypač žirklių peilius. Peilius šiek tiek sutepkite alyva ir uždėkite gaubtą.
 4. Įrankį laikykite sausoje patalpoje su uždėtu peilių gaubtu. Saugokite nuo vaikų. Niekada nelaikykite įrankio lauke.
 5. Nemeskite akumulatoriaus (-ių) į ugnį. Akumulatoriaus elementas gali sprogti. Pasitikrinkite, ar vietiniai įstatymai neaprašo specialaus išmetimo būdo.
 6. Neatidarykite ir neardykite akumulatoriaus (-ių). Ištekėjęs elektrolitas yra edančioji medžiaga, kuri gali pažeisti akis ar odą. Nurytas jis gali apnuodyti.
 7. Nenaudokite akumulatoriaus lyjant arba drėgnose vietose.

SAUGOKITE ŠIAS INSTRUKCIJAS.

⚠SPĖJIMAS: NELEISKITE, kad patogumas ir gaminio pažinimas (įgyjamas pakartotinai naudojant) susilpnintų griežtą saugos taisyklių, taikytinų šiam gaminiui, laikymąsi. Dėl **NETINKAMO NAUDOJIMO** arba saugos taisyklių, kurios pateiktos šioje instrukcijoje, nesilaikymo galima rimtai susižeisti.

Svarbios saugos instrukcijos, taikomos akumulatoriaus kasetei

1. Prieš naudodami akumulatoriaus kasetę, perskaitykite visas instrukcijas ir perspėjimus ant (1) akumuliatorių įkroviklio, (2) akumuliatorių ir (3) akumuliatorių naudojančio gaminio.
 2. Neardykite ir negadininkite akumulatoriaus kasetės. Dėl to ji gali užsidegti, per daug įkaisti arba sprogti.
 3. Jei įrankio darbo laikas žymiai sutrumpėjo, nedelsdami nutraukite darbą su įrankiu. Tai gali kelti perkaitimo, nudegimų ar net sprogdimo pavojų.
 4. Jei elektrolitas pateko į akis, plaukite jas tyru vandeniu ir nedelsdami kreipkitės į gydytoją. Gali kilti regėjimo praradimo pavojus.
5. Neužtrumpinkite akumulatoriaus kasetės:
 - (1) Nelieskite kontaktų degiomis medžiagomis.
 - (2) Venkite laikyti akumulatoriaus kasetę kartu su kitais metaliniais daiktais, pavyzdžiui, vinimis, monetomis ir pan.
 - (3) Saugokite akumulatoriaus kasetę nuo vandens ir lietaus.

Trumpasis jungimas akumulatoriuje gali sukelti stiprią srovę, perkaitimą, galimus nudegimus ar net akumulatoriaus gedimą.
 6. Nelaikykite ir nenaudokite įrankio ir akumulatoriaus kasetės vietose, kur temperatūra gali pasiekti ar viršyti 50 °C (122 °F).
 7. Nedeginkite akumulatoriaus kasetės, net jei yra stipriai pažeista ar visiškai susidėvėjusi. Ugnyje akumulatoriaus kasetė gali sprogti.
 8. Akumulatoriaus kasetės nekalkite, nepjaukite ir nemėtykite ir taip pat į ją netrankykite kietu daiktu. Taip elgiantis, ji gali užsidegti, per daug įkaisti arba sprogti.
 9. Nenaudokite pažeisto akumulatoriaus.
 10. Įdėdoms ličio jonų akumulatoriams taikomi Pavojingų prekių teisės akto reikalavimai. Komerčinis transportas, pvz., trečiųjų šalių, prekių vežimo atstovų, turi laikytis specialaus reikalavimo ant pakuotės ir ženklavimo. Norėdami paruošti siųstiną prekę, pasitarkite su pavojingų medžiagų specialistu. Be to, laikykitės galimai išsamesnių nacionalinių reglamentų. Užklijuokite juosta arba padenkite atvirus kontaktus ir supakuokite akumuliatorių taip, kad ji pakuotėje nejudėtų.
 11. Kai išmetate akumulatoriaus kasetę, išimkite ją iš įrankio ir išmeskite saugioje vietoje. Vadovaukitės vietos reglamentais dėl akumuliatorių išmetimo.
 12. Baterijas naudokite tik su „Makita“ nurodytais gaminiais. Baterijas įdėjus į netinkamus gaminius gali kilti gaisras, gaminys pernelyg įkaisti, kilti sprogdimas arba pratekėti elektrolitas.
 13. Jei įrankis bus ilgą laiką nenaudojamas, akumuliatorių būtina išimti iš įrankio.
 14. Darbo metu ir po akumulatoriaus kasetę gali būti įkaitusi ir dėl to nudeginti. Imdami akumulatoriaus kasetes, būkite atsargūs.
 15. Tuojau pat po naudojimo nelieskite įrankio gnybtų, nes jie gali būti įkaitę tiek, kad nudegins.
 16. Neleiskite, kad į akumulatoriaus kasetės gnybtus, angas ir griovelius patektų drožlių, dulkių ar žemių. Jos gali sukelti kaitimą, užsidegti, sprogti ir sukelti įrankio ar akumulatoriaus kasetės gedimą, dėl ko galima nusideginti ar susižaloti.
 17. Jeigu įrankis nėra pritaikytas naudoti šalia aukštos įtampos elektros linijų, akumulatoriaus kasetės nenaudokite šalia aukštos įtampos elektros linijų. Dėl to gali sutrikti įrankio ar akumulatoriaus kasetės veikimas arba jie gali sugesti.
 18. Laikykite akumuliatorių vaikams nepasiekiamoje vietoje.

SAUGOKITE ŠIAS INSTRUKCIJAS.

▲PERSPĖJIMAS: Naudokite tik originalų „Makita“ akumuliatorių. Neoriginalaus „Makita“ arba pakeisto akumuliatoriaus naudojimas gali nulėmti gaisrą, asmens sužalojimą ir pažeidimą. Tai taip pat panaikina „Makita“ suteikiamą „Makita“ įrankio ir įkroviklio garantiją.

Patarimai, ką daryti, kad akumuliatorius veiktų kuo ilgiau

1. Pakraukite akumuliatoriaus kasetę prieš jai visiškai išsikraunant. Visuomet nustokite naudoti įrankį ir pakraukite akumuliatoriaus kasetę, kai pastebite, kad įrankio galia sumažėjo.
2. Niekada nekraukite iki galo įkrautos akumuliatoriaus kasetės. Perkraunant trumpėja akumuliatoriaus eksploatacijos laikas.
3. Akumuliatoriaus kasetę kraukite esant kambario temperatūrai 10 - 40 °C. Prieš pradėdami krauti, leiskite įkautusiai akumuliatoriaus kasetei atvėsti.
4. Kai akumuliatoriaus kasetės nenaudojate, ją išimkite iš įrankio ar įkroviklio.
5. Įkraukite akumuliatoriaus kasetę, jei jos nenaudojate ilgą laiką (ilgiau nei šešis mėnesius).

VEIKIMO APRAŠYMAS

▲PERSPĖJIMAS: Prieš pradėdami reguliuoti arba tikrinti įrankio veikimą, visuomet būtinai išjunkite įrankį ir išimkite akumuliatoriaus kasetę.

Akumuliatoriaus kasetės uždėjimas ir nuėmimas

▲PERSPĖJIMAS: Prieš įdėdami arba išimdami akumuliatoriaus kasetę, visada išjunkite įrankį.

▲PERSPĖJIMAS: Įdėdami arba išimdami akumuliatoriaus kasetę, tvirtai laikykite įrankį ir akumuliatoriaus kasetę. Jeigu įrankį ir akumuliatoriaus kasetę laikysite netvirtai, jie gali išsllysti iš jūsų rankų, todėl įrankis ir akumuliatoriaus kasetė gali būti sugadinti, o naudotojas sužalotas.

- **Pav.1:** 1. Raudonas sandariklis (indikatorius)
2. Mygtukas 3. Akumuliatoriaus kasetė

Jei norite išimti akumuliatoriaus kasetę, ištraukite ją iš įrankio, stumdami mygtuką, esantį kasetės priekyje.

Jei norite įdėti akumuliatoriaus kasetę, ant akumuliatoriaus kasetės esantį liežuvelį sutapdinkite su korpuse esančiu griovėliu ir įstumkite jį į skirtą vietą. Įstatykite iki pat galo, kad spragtelėdama užsikisų. Jeigu matote raudoną sandariklį (indikatorių), kaip parodyta paveikslėlyje, ji nėra visiškai užfiksuota.

▲PERSPĖJIMAS: Akumuliatoriaus kasetę visada įkiškite iki galo, kol nebematysite raudono sandariklio (indikatoriaus) Priešingu atveju ji gali atsitiktinai iškristi iš įrankio ir sužeisti jus arba aplinkinius.

▲PERSPĖJIMAS: Nekiškite akumuliatoriaus kasetės jėga. Jeigu kasetė sunkiai lenda, ją kišate netinkamai.

Likusios akumuliatoriaus galios rodymas

Tik akumuliatoriaus kasetėms su indikatoriumi

- **Pav.2:** 1. Indikatorijų lemputės 2. Tikrinimo mygtukas

Paspauskite akumuliatoriaus kasetės tikrinimo mygtuką, kad būtų rodoma likusi akumuliatoriaus energija. Maždaug trims sekundėms užsidegs indikatorijų lemputės.

Indikatorijų lemputės			Likusi galia
Šviečia	Nešviečia	Blyksi	
			75 - 100 %
			50 - 75 %
			25 - 50 %
			0 - 25 %
			Įkraukite akumuliatorių.
			Galimai įvyko akumuliatoriaus veikimo triktis.

PASTABA: Rodmuo gali šiek tiek skirtis nuo faktinės energijos lygio – tai priklauso nuo naudojimo sąlygų ir aplinkos temperatūros.

PASTABA: Veikiant akumuliatoriaus apsaugos sistemai ims mirksėti pirmoji (toliausiai kairėje) indikatorijų lemputė.

Įrankio / akumuliatoriaus apsaugos sistema

PASTABA: Priklausomai nuo naudojimo sąlygų, įrankis automatiškai išjungiamas be jokios indikacijos, jeigu įrankyje yra įsipaiojusį šakų ar nuolaužų. Šiuo atveju išjunkite įrankį ir išimkite akumuliatoriaus kasetę, tuomet, pavyzdžiui, replėmis, išimkite įsipaiojusias šakas ar nuolaužas. Išmė šakas ar nuolaužas, įdėkite akumuliatoriaus kasetę ir vėl įjunkite įrankį.

Įrankyje įrengta įrankio / akumuliatoriaus apsaugos sistema. Ši sistema automatiškai atjungia variklio maitinimą, kad įrankis ir akumuliatorius ilgiau veiktų. Įrankis automatiškai išsijungs darbo metu esant vienai iš toliau nurodytų įrankio arba akumuliatoriaus darbo sąlygų:

Apsauga nuo perkrovos

Kai įrankis ar akumuliatorius naudojamas taip, kad neįprastai padidėja elektros srovė, įrankis automatiškai išsijungia. Tokiu atveju išjunkite įrankį ir nutraukite darbą, dėl kurio kilo įrankio perkrova. Tada vėl įjunkite įrankį.

Apsauga nuo perkaitimo

Kai įrankis arba akumuliatorius perkaista, įrankis automatiškai išsijungia. Tokiu atveju, prieš vėl jungdami įrankį, leiskite įrankiui ir akumuliatoriui atvėsti.

Apsauga nuo visiško išekvojimo

Kai akumuliatoriaus įkrovos lygis nepakankamas, įrankis automatiškai išsijungia. Tokiu atveju ištraukite akumuliatorių iš įrankio ir įkraukite jį.

Apsauga nuo kitų sutrikimų

Apsaugos sistema taip pat apsaugo nuo kitų sutrikimų, galinčių pažeisti įrankį, todėl automatiškai jį išjungia. Įrankiui laikinai sustojus arba veikimo metu išsijungus, imkitės visų toliau nurodytų veiksmų ir pašalinkite sutrikimo priežastis.

1. Išjunkite įrankį, tada vėl įjunkite, kad paleistumėte iš naujo.
2. Įkraukite akumuliatorių (-ius) arba jį (juos) pakeiskite įkrautu (-ais) akumuliatoriumi (-iais).
3. Palaukite, kol įrenginys ir akumuliatorius (-iai) atvės.

Jei atstačius apsaugos sistemą veikimas nepagerėja, kreipkitės į vietos „Makita“ techninės priežiūros centrą.

PASTABA: Jei įrankis sustoja dėl pirmiau neapibūdintos priežasties, žr. gedimų šalinimo skyrių.

Jungiklio veikimas

▲JSPĖJIMAS: Jūsų saugai užtikrinti šiame įrankyje įrengtas svirtinis jungiklis, kuris neleidžia netyčia įjungti įrankio. **NIEKADA** nenaudokite įrankio, jei jis ima veikti tiesiog nuspaudus gaiduką, nenuspaudus svirtinio jungiklio. **PRIEŠ** pradėdami vėl naudoti įrankį, atiduokite jį suremontuoti į mūsų įgaliotąjį techninės priežiūros centrą.

▲JSPĖJIMAS: **NIEKADA** neužklijuokite lipniaja juosta ir nepanaikinkite svirtinio jungiklio paskirties bei funkcijos.

▲JSPĖJIMAS: Prieš montuodami akumuliatoriaus kasetę įrankyje, visuomet patikrinkite, ar gaidukas ir jungiklio svirtis gerai veikia ir atleisti grįžta į padėtį „OFF“ (išjungta). Naudojant įrankį, kurio gaidukas netinkamai veikia, galima jo nesuvaldyti ir sunkiai susižaloti.

▲PERSPĖJIMAS: Nešdami įrankį, niekada nelaikykite piršto ant jungiklio. Galite atsitiktinai įjungti įrankį ir susižaloti arba sužaloti kitus.

Norėdami paleisti įrankį, laikydami už priekinės rankenos nuspauskite svirtinį jungiklį ir tada paspauskite gaiduką. Norėdami sustabdyti įrankį, atleiskite gaiduką arba svirtinį jungiklį.

- **Pav.3:** 1. Priekinė rankena 2. Svirtinis jungiklis
3. Gaidukas

Indikacinė lemputė

► Pav.4: 1. Indikacinė lemputė

Kai akumuliatorius išsenka arba įrankis perkraunamas, indikacinė lemputė ima mirksėti arba šviesti. Žr. toliau pateiktą lentelę, kurioje nurodyta būseną ir veiksmai, kurių reikia imtis.

Indikacinė lemputė	Būsena	Kokio veiksmo reikia imtis
Lemputė mirksi raudona spalva.	Senka akumuliatorius.	Įkraukite akumuliatorių arba pakeiskite įkrautu akumuliatoriumi.
Lemputė ima šviesti raudona spalva.	Akumuliatorius išseko.	Įkraukite akumuliatorių arba pakeiskite įkrautu akumuliatoriumi.
	Įrankis išsijungė dėl perkrovos.	Išjunkite įrankį ir pašalinkite perkrovos priežastį.
	Įrankis išsijungė dėl perkaitimo.	Išjunkite įrankį ir leiskite jam bei akumuliatoriui atvėsti.

PASTABA: Laikas, kuriam praėjus ima mirksėti arba šviesti indikacinė lemputė, priklauso nuo temperatūros darbo vietoje ir akumuliatoriaus kasetės būklės.

Elektroninė funkcija

Prietaise yra elektroninė funkcija paprastam naudojimui užtikrinti.

- Nuolatinis greičio reguliavimas
Greičio kontrolės funkcija užtikrina pastovų sukimosi greitį, nepriklausomai nuo apkrovos.
- Elektrinis stabdiklis
Šiame įrankyje įrengtas elektrinis stabdiklis. Jei kaskart atleidus gaiduką įrankis ne iškart sustabdo žirklių peilius, pristatykite jį į įgaliotąjį „Makita“ techninės priežiūros centrą, kad atliktų techninę priežiūrą.
- Apsaugos nuo netyčinio įjungimo funkcija
Net jeigu dedant akumuliatoriaus kasetę bus spaudžiamas gaidukas, įrankis nepasileis. Jei norite įjungti įrankį, pirmiausia atleiskite gaiduką, tada jį patraukite.

SURINKIMAS

▲PERSPĖJIMAS: Prieš darydami ką nors įrankiui visada patikrinkite, ar įrenginys išjungtas, o akumuliatorių kasetė – nuimta.

▲PERSPĖJIMAS: Keisdami žirklių peilius, visada mėvėkite pirštines, kad rankos tiesiogiai prie jų neprisilieštų.

PASTABA: Keisdami pjovimo peilius, nenuvalykite tepalo nuo pavaros ir švaistiklio.

Žirklių peilių uždėjimas ir nuėmimas

▲PERSPĖJIMAS: Prieš montuodami arba nuimdami žirklių peilius, uždėkite peilio gaubtą.

Savo įrankiai galite sumontuoti 500 mm arba 600 mm žirklių peilius.

- Uždėkite peilių gaubtą ant žirklių peilių.
► **Pav.5:** 1. Peilių gaubtas
- Apverskite įrankį, atsukite 6 varžtus, tada nuimkite gaubtą ir plokštelę.
► **Pav.6:** 1. Varžtas 2. Dangtelis 3. Plokštelė

PASTABA: Plokštelę galima palikti ant dangtelio.

- Pasukite švaistiklį plokščiuoju atsuktuvu, kad 2 angos būtų štatmenos žirklių peiliams.
► **Pav.7:** 1. Švaistiklis 2. Anga
- Išsukite 2 varžtus, išimkite veltinio padą ir įvores, tada nuimkite žirklių peilius.
► **Pav.8:** 1. Veltinio padas 2. Varžtas 3. Įvorė 4. Žirklių peiliai
- Nuimkite peilių gaubtą ir uždėkite jį ant naujų žirklių peilių.
► **Pav.9:** 1. Peilių gaubtas
- Sulygiuokite galinius žirklių peilių kraštus, kaip parodyta paveikslėlyje.
► **Pav.10:** 1. Galinis kraštas
- Šiek tiek paslinkite žirklių peilius, kaip parodyta paveikslėlyje, tada prijunkite įvores prie žirklių peilių.
► **Pav.11:** 1. Įvorė
- Šiek tiek paslinkite peilių gaubtą link žirklių peilių priekinės dalies, tada prijunkite žirklių peilius prie įrankio.
► **Pav.12:** 1. Žirklių peiliai

PASTABA: Tepalu negausiai sutepkite žirklių peilių angos vidinę dalį.

PASTABA: Būkite atsargūs ir nepameskite įvorių.

- Nuslinkite žirklių peilius ir įvores taip, kad įvorių angos būtų sulygiuotos su įrankio angomis.
► **Pav.13:** 1. Anga įrankyje 2. Anga įvorėje
- Priveržkite varžtus, kad užfiksuotumėte žirklių peilius.
► **Pav.14:** 1. Varžtas
- Prijunkite veltinio padą prie žirklių peilių.
► **Pav.15:** 1. Veltinio padas
- Pritvirtinkite plokštelę.
► **Pav.16:** 1. Plokštelė
- Uždėkite gaubtą ir priveržkite 6 varžtus.
► **Pav.17:** 1. Varžtas 2. Dangtelis

PASTABA: Jei žirklių peiliai juda nesklandžiai, vadinasi, jie nėra tinkamai užsifiksavę ant švaistiklio. Dar kartą sumontuokite žirklių peilius.

PASTABA: Jei nusidėvėjo dalys, pvz., švaistiklis, išskyrus pjovimo peilius, kreipkitės į „Makita“ įgaliotuosius techninės priežiūros centrus, kad pakeistų dalis ar atliktų remonto darbus.

Skiedrų gaudyklės uždėjimas ir nuėmimas

Pasirenkamasis priedas

▲PERSPĖJIMAS: Uždėdami ar nuimdami skiedrų gaudyklę, visada mūvėkite pirštines, kad rankos tiesiogiai neprisilietų prie žirklių peilių.

PASTABA: Peilių gaubto negalima uždėti, jeigu įrankyje sumontuota skiedrų gaudyklė. Prieš nešdami arba padėdami saugoti įrankį, nuimkite skiedrų gaudyklę, o paskui sumontuokite peilio gaubtą, kad peiliai būtų apsaugoti.

PASTABA: Prieš įstatydami skiedrų gaudyklę, būtinai nuimkite peilių gaubtą.

Skiedrų gaudyklę surenka netinkamus lapus, todėl vėliau valyti tampa daug lengviau. Ją galima uždėti bet kurioje įrankio pusėje.

- Sulygiuokite angas ant skiedrų gaudyklės su sraigtais ant žirklių peilių.
► **Pav.18:** 1. Sraigtas
- Pritvirtinkite skiedrų gaudyklės kumštelius prie žirklių peilių griovelio.
► **Pav.19:** 1. Kumštėlis 2. Griovelis
- Paspauskite svirtis ant skiedrų gaudyklės, kitoje pusėje prikabinkite kumštelius prie žirklių peilių griovelio.
► **Pav.20:** 1. Svirtis

Jei norite nuimti skiedrų gaudyklę, paspauskite svirtis, kad atpalaiduotumėte kumštelius.

► **Pav.21:** 1. Svirtis

PASTABA: Niekada nebandykite nuimti skiedrų gaudyklės jėga, jos kabliukams esant užfiksuotiems žirklių peiliuose.

NAUDOJIMAS

▲JSPĖJIMAS: Rankas laikykite kuo toliau nuo žirklių peilių.

▲PERSPĖJIMAS: Jei tik įmanoma, stenkitės nenaudoti šio įrankio labai karštomis oro sąlygomis. Naudodami šį įrankį, atsižvelkite į savo fizinę būklę.

▲PERSPĖJIMAS: Kirpdami saugokitės, kad neužkabintumėte peiliu metalinės tvoros ar kito kieto daikto. Žirklių peiliai gali nulūžti ir sužeisti.

▲PERSPĖJIMAS: Būkite atsargūs ir neleiskite, kad pjovimo peiliai liestų žemę. Įrankis gali nulūžti ir sužeisti.

▲PERSPĖJIMAS: Nepaprastai pavojinga gyvatvorės žirkklėmis užsimoti per toli, ypač nuo kopėčių. Nedirbkite stovėdami ant netviro ar svyruojančio pagrindo.

PASTABA: Nebandykite šiuo įrankiu pjauti šakelių, storesnių kaip 10 mm. Šakų karpymo žirkėmis nukarkykite šakeles iki 10 cm žemiau pjovimo aukščio, tik tuomet naudokite šį įrankį.

► **Pav.22:** (1) Pjovimo aukštis (2) 10 cm

PASTABA: Nepjaukite sudžiūvusių šakų ar panašių kietų daiktų. Taip galite sugadinti įrankį.

PASTABA: Nepjaukite žolės ar piktžolių žirklių peiliais. Žirklių peiliai gali įsipainioti žolėje arba piktžolėse.

Laikydami įrankį abiem rankomis, paimkite už priekinės rankenos, spausdami svirtinį jungiklį, tada nuspauškite gaiduką ir stumkite įrankį pirmyn.

► **Pav.23**

Paprasčiausias veiksmas yra pakreipti žirklių peilius pjovimo kryptimi, ramiai ir lėtai judinti, įveikiant metrą per 3 – 4 sekundes.

► **Pav.24**

Norėdami tiesiai nupjauti gyvatvorės viršų, norimame aukštyje pririškite virvę ir pjaukite pagal ją.

► **Pav.25**

Jei prie žirklių peilių pritvirtinama skiedrų gaudyklė, ji surenka netinkamus lapus, todėl vėliau valyti tampa daug lengviau.

► **Pav.26**

Norėdami tolygiai apipjauti gyvatvorės šonus, pjaukite iš apačios į viršų.

► **Pav.27**

Jei norite išgauti apvalią formą (apkarpančią buksmedžius, rododendrus ir pan.), kirpkite nuo pagrindo į viršų, kad pasiektumėte gerų rezultatų.

► **Pav.28**

TECHINĖ PRIEŽIŪRA

⚠ PERSPĖJIMAS: Visuomet įsitikinkite, ar įrankis yra išjungtas ir akumulatoriaus kasetė yra nuimta prieš atlikdami apžiūrą ir priežiūrą.

Kad gaminys būtų SAUGUS ir PATIKIMAS, jį taisyti, apžiūrėti ar vykdyti bet kokią kitą priežiūrą ar derinimą turi įgaliotasis kompanijos „Makita“ techninės priežiūros centras; reikia naudoti tik kompanijos „Makita“ pagamintas atsargines dalis.

Įrankio valymas

Nuvalykite nuo įrankio dulkes sausu ar muilinu vandeniu sumirkytu ir nugaręžtu skuduru.

PASTABA: Niekada nenaudokite gazolino, benzino, tirpiklio, spirito arba panašių medžiagų. Gali atsirasti išblukimų, deformacijų arba įtrūkimų.

Žirklių peilių priežiūra

Prieš darbą arba kas valandą darbo metu patepkite žirklių peilius mažo klampumo alyva (mašininė alyva ar purškiamą tepimo alyva).

► **Pav.29**

Po darbo vieliniu šepetėliu išvalykite dulkes iš abiejų žirklių peilių pusių, nuvalykite juos skudurėliu, o paskui patepkite mažo klampumo alyva (mašininė alyva ar purškiamą tepimo alyva).

► **Pav.30**

PASTABA: Neplaukite žirklių peilių vandeniu. Tai gali paskatinti rūdijimą arba sugadinti šį įrankį.

PASTABA: Purvas ir korozija sukelia pernelyg didelę trintį ir sutrumpina akumulatoriaus darbo laiką.

Laikymas

Įrankio apačioje esanti skylė kabliui leidžia patogiai pakabinti įrankį ant vinies ar varžto sienoje.

Uždėkite peilio gaubtą ant pjovimo peilių, kad jie būtų uždengti. Saugokite įrankį vaikams nepasiekiamoje vietoje. Laikykite įrankį nuo drėgmės ar lietaus apsaugotoje vietoje.

► **Pav.31:** 1. Skylutė

Žirklių peilių galandimas

PASTABA: Jeigu žirklių peiliai dėl galandimo žymiai deformavosi, pakeiskite juos naujais.

1. Įdėkite akumulatoriaus kasetę į įrankį.
2. Įjunkite ir užveskite įrankį, kad viršutinis peilis ir apatinis peilis būtų išsidėstę pakaitomis.
► **Pav.32**
3. Išjunkite įrankį ir išimkite akumulatoriaus kasetę.
4. Nustatykite dildės 35° kampą ir dilde 2 kryptimis pagaląskite viršutinį peilį.
► **Pav.33:** (1) Dildė (2) 35°

⚠ PERSPĖJIMAS: Prieš galąsdami žirklių peilius, įsitikinkite, kad įrankis yra išjungtas ir iš jo išimta akumulatoriaus kasetė.

5. Apverskite įrankį ir tuomet galandimo akmeniui pašalinkite nuo žirklių peilių šerpetas.
► **Pav.34:** 1. Galandimo akmuo
6. Nustatykite dildės 35° kampą ir dilde 2 kryptimis pagaląskite apatinį peilį.
7. Atverskite įrankį į įprastą padėtį ir tuomet galandimo akmeniui pašalinkite nuo žirklių peilių šerpetas.

Tepimas

Tepimo intervalas: Kas 50 darbo valandų

1. Išsukite varžtą iš skylės, kad galėtumėte sutepti.
► **Pav.35:** 1. Varžtas
2. Nuimkite dangtelį nuo tepalo indo. Sulygiuokite tepalo indo išleidimo angą su gaubto anga ir pasukite tepalo indą, kad prijungtumėte tepalo indo išleidimo angą prie angos.
► **Pav.36:** 1. Tepalo indas 2. Skylė
3. Užtepkite tepalo ant įrankio (rekomenduojama maždaug 3 g).
4. Nuimkite tepalo indą.
5. Priveržkite varžtą.

GEDIMŲ ŠALINIMAS

Prieš kreipdamiesi dėl remonto darbų, pirmiausia patikrinkite gedimus patys. Kilus problemų, apie kurias nepaaiškinta vartotojo vadove, nemėginkite ardyti įrankio. Kreipkitės į įgaliotuosius „Makita“ techninės priežiūros centrus, kuriuose remontui visuomet naudojamos originalios „Makita“ keičiamosios dalys.

Neįprasta būklė	Tikėtina priežastis (triktis)	Ištaisomoji priemonė
Neveikia variklis.	Neįdėta akumuliatoriaus kasetė.	Įdėkite akumuliatoriaus kasetę.
	Akumuliatoriaus problema (per mažą įtampą)	Įkraukite akumuliatorių. Jei įkrauti nepavyksta, akumuliatorių pakeiskite.
	Netinkamai veikia pavaros sistema.	Dėl remonto kreipkitės į vietinį įgaliotąjį techninės priežiūros centrą.
Po trumpo naudojimo laikotarpio variklis nustoja veikęs.	Mažas akumuliatoriaus įkrovos lygis.	Įkraukite akumuliatorių. Jei įkrauti nepavyksta, akumuliatorių pakeiskite.
	Perkaitimas.	Nesinaudokite įrankiu ir leiskite jam atvėsti.
Įrankis nepasiekia didžiausio sukūpi skaičiaus per minutę.	Akumuliatorius netinkamai įdėtas.	Akumuliatoriaus kasetę įdėkite, kaip aprašyta šioje naudojimo instrukcijoje.
	Mažėja akumuliatoriaus galia.	Įkraukite akumuliatorių. Jei įkrauti nepavyksta, akumuliatorių pakeiskite.
	Netinkamai veikia pavaros sistema.	Dėl remonto kreipkitės į vietinį įgaliotąjį techninės priežiūros centrą.
Žirklių peiliai nejudą: ⇒ nedelsdami sustabdykite įrenginį!	Tarp žirklių peilių yra pašalinių daiktų.	Išjunkite įrankį ir išimkite akumuliatoriaus kasetę, tada tam tikrais įrankiais, pvz., replėmis, nuimkite pašalinius objektus.
	Netinkamai veikia pavaros sistema.	Dėl remonto kreipkitės į vietinį įgaliotąjį techninės priežiūros centrą.
Neįprasta vibracija: ⇒ nedelsdami sustabdykite įrenginį!	Žirklių peiliai yra sulūžę, sulenkti arba susidėvėję.	Pakeiskite žirklių peilius.
	Netinkamai veikia pavaros sistema.	Dėl remonto kreipkitės į vietinį įgaliotąjį techninės priežiūros centrą.
Žirklių peiliai ir variklis nesustoja: ⇒ nedelsdami išimkite akumuliatorių!	Elektros triktis.	Išimkite akumuliatorių ir susisiekite su vietiniu įgaliotuoju techninės priežiūros centru dėl remonto.

PASIRENKAMI PRIEDAI

⚠ PERSPĖJIMAS: Šiuos papildomus priedus arba įtaisus rekomenduojama naudoti su šioje instrukcijoje nurodytu „Makita“ bendrovės įrankiu. Naudojant bet kokius kitus papildomus priedus arba įtaisus, gali kilti pavojus sužeisti žmones. Naudokite tik nurodytam tikslui skirtus papildomus priedus arba įtaisus.

Jeigu norite daugiau sužinoti apie tuos priedus, kreipkitės į artimiausią „Makita“ techninės priežiūros centrą.

- Peilio mechanizmas
- Peilio gaubtas
- Skiedrų gaudyklė
- Tepalo indas
- Originalūs „Makita“ akumuliatorius ir įkroviklis

PASTABA: Kai kurie sąraše esantys priedai gali būti pateikti įrankio pakuotėje kaip standartiniai priedai. Jie įvairiose šalyse gali skirtis.

TEHNILISED ANDMED

Mudel:	DUH506	DUH606
Tera pikkus	500 mm	600 mm
Käikude arv minutis	4 000 min ⁻¹	
Üldpikkus (ilma akuta)	846 mm	965 mm
Nimipinge	Alalisvool 18 V	
Netokaal	2,5–2,9 kg	2,7–3,0 kg

- Meie pideva uuringu- ja arendusprogrammi tõttu võidakse tehnilisi andmeid muuta ilma sellest ette teatamata.
- Tehnilised andmed võivad riigiti erineda.
- Kaal võib erineda olenevalt lisaseadistest, kaasa arvatud akukassetist. Kergeim ja raskeim kombinatsioon EPTA-protseduuri 01/2014 kohaselt on toodud tabelis.

Sobiv akukasset ja laadija

Akukasset	BL1815N / BL1820B / BL1830B / BL1840B / BL1850B / BL1860B
Laadija	DC18RC / DC18RD / DC18RE / DC18SD / DC18SE / DC18SF / DC18SH / DC18WC

- Mõned eespool loetletud akukassetid ja -laadijad ei pruugi olla teie riigis saadaval.

⚠ HOIATUS: Kasutage ainult ülalpool loetletud akukasseid ja laadijaid. Muude akukassetide ja laadijate kasutamine võib tekitada vigastusi ja/või tulekahju.





Soovitatud juhtmega ühendatav toiteallikas

Portatiivne akukomplekt	PDC01
-------------------------	-------

- Eespool loetletud juhtmega ühendatavad toiteallikad ei pruugi olla teie riigis saadaval.
- Enne juhtmega ühendatava toiteallika kasutamist lugege neil olevaid juhiseid ja ettevaatusabinõusid.

Sümbolid

Alljärgnevalt kirjeldatakse tingimärke, mida võidakse seadmel kasutada. Enne seadme kasutamist tehke endale selgeks nende tähendus.

	Lugege juhendit.
	Kasutage silmade kaitsevahendeid.
	OHT – Hoidke käed terast eemal.
	Ärge jätke seadet niiskuse kätte.



Ainult EL-i riikide puhul
Seadmes sisalduvate ohtlike osade tõttu võivad elektri- ja elektroonikaseadmete jäätmel, akud ja patareid avaldada negatiivset mõju keskkonnale ja inimeste tervisele.

Elektri- ja elektroonikaseadmeid ega akusid ei tohi kõrvaldada koos olmejäätmetega!
Euroopa elektri- ja elektroonikaseadmete jäätmel, akude ja patareide ning nende jäätmel direktiivi ja riiklikku õigusesse ülevõtmise kohaselt tuleb elektri- ja elektroonikaseadmete, akude ja patareide jäätmel koguda eraldi ning viia eraldiseisvasse olmejäätmete kogumispunkti, mis tegutseb kooskõlas keskkonnakaitse eeskirjadega. Sellele osutab seadmele paigaldatud läbikriipsutatud ratastega prügikasti sümbol.



Garanteeritud helivõimsustase ELi välis-tingimustes kasutatavate seadmete müra direktiivi kohasel.



Helivõimsustase Austraalia NSW müra-kontrolli määruse kohaselt

Kavandatud kasutus

Tööriist on ette nähtud heki pügamiseks.

Müra

Kohaldatav standard : EN62841-4-2

Mudel	Helirõhutase		Helivõimsuse tase	
	L _{PA} (dB(A))	Kõikumine K (dB(A))	L _{WA} (dB(A))	Kõikumine K (dB(A))
DUH506	77	3	88	3
DUH606	79	3	90	3

MÄRKUS: Deklareeritud müra väärtust (väärtuseid) on mõõdetud kooskõlas standardse katsemeetodiga ning seda võib kasutada ühe seadme võrdlemiseks teisega.

MÄRKUS: Deklareeritud müra väärtust (väärtuseid) võib kasutada ka mürataseme esmaseks hindamiseks.

⚠️HOIATUS: Kasutage kõrvakaitsmeid.

⚠️HOIATUS: Müratase võib elektritööriista tegelikkuses kasutamise ajal erineda deklareeritud väärtust(t) est olenevalt tööriista kasutusviisidest ja eriti töödeldavast toorikust.

⚠️HOIATUS: Rakendage operaatori kaitsmiseks kindlasti piisavaid ohutusabinõusid, mis põhinevad hinnangulisel müratasemel tegelikus tööolukorras (võttes arvesse tööperioodi kõiki osasid, näiteks korrad, kui seade lülitatakse välja ja seade töötab tühikäigul, lisaks tööajale).

Vibratsioon

Vibratsiooni koguväärtus (kolmeteljeliste vektorite summa) määratud standardi EN62841-4-2 kohaselt:

Mudel	Eesmine käepide		Tagumine käepide	
	ah (m/s ²)	Määramatus K (m/s ²)	ah (m/s ²)	Määramatus K (m/s ²)
DUH506	2,5 m/s ² või vähem	1,5	2,5 m/s ² või vähem	1,5
DUH606	2,5 m/s ² või vähem	1,5	2,5 m/s ² või vähem	1,5

MÄRKUS: Deklareeritud vibratsiooni koguväärtust (-väärtuseid) on mõõdetud kooskõlas standardse katsemeetodiga ning seda võib kasutada ühe seadme võrdlemiseks teisega.

MÄRKUS: Deklareeritud vibratsiooni koguväärtust (-väärtuseid) võib kasutada ka mürataseme esmaseks hindamiseks.

⚠️HOIATUS: Vibratsioonitase võib elektritööriista tegelikkuses kasutamise ajal erineda deklareeritud väärtust(t)est olenevalt tööriista kasutusviisidest ja eriti töödeldavast toorikust.

⚠️HOIATUS: Rakendage operaatori kaitsmiseks kindlasti piisavaid ohutusabinõusid, mis põhinevad hinnangulisel müratasemel tegelikus tööolukorras (võttes arvesse tööperioodi kõiki osasid, näiteks korrad, kui seade lülitatakse välja ja seade töötab tühikäigul, lisaks tööajale).

EÜ vastavusdeklaratsioon

Ainult Euroopa riikide puhul

EÜ vastavusdeklaratsioon sisaldub käesoleva juhendi Lisas A.

OHUTUSHOIATUSED

Üldised elektritööriistade ohutushoiatused

⚠️HOIATUS: Lugege läbi kõik selle elektritööriistaga kaasas olevad ohutushoiatused, juhised, joonised ja tehnilised andmed. Järgnevate juhiste eiramine võib põhjustada elektrilöögi, süttimise ja/või raske kehavigastuse.

Hoidke edaspidisteks viideteks alles kõik hoiatused ja juhtnõbrid.

Hoiatuses kasutatud termini „elektritööriist“ all peetakse silmas elektriga töötavaid (juhtmega) elektritööriistu või akuga töötavaid (juhtmeta) elektritööriistu.

Juhtmeta hekitrimmeri ohutushoiatused

1. Hoidke kõik kehaosad terast eemal. Ärge eemaldage lõikematerjali ega hoidke sellest kinni, kui lõiketerad liiguvad. Terad jätkavad liikumist ka pärast lülitit väljalülitamist. Üks hetk tähelepanematust hekilõikuriga töötamisel võib põhjustada tõsiseid vigastusi.
2. Kandke hekilõikurit käepidemest, peatatud teraga, ja olge tähelepanelik, et te ei lähöks ühegi toitelüliti vastu. Hekilõikuri õigesti kandmine vähendab tahtmatut käivitumist ja sellest tulenevate, terade põhjustatud vigastuste ohtu.

- Hekilõikuri transportimise või hoialepaneku ajaks peab alati olema paigaldatud terakate.** Hekilõikuri õigesti käsitlemine vähendab enda teradega vigastamise ohtu.
- Ummistunud materjali eemaldamisel või seadme hooldamisel veenduge, et kõik toitelülid oleks välja lülitatud ja aku eemaldatud või lahti ühendatud.** Ummistunud materjali eemaldamisel või hooldamisel võib hekilõikuri ootamatult käivitamine põhjustada tõsiseid kehavigastusi.
- Hoidke hekilõikurit ainult isoleeritud haardepindadest, sest tera võib sattuda varjatud juhtmetega kokkupuutesse.** Terade kokkupuude elektrijuhtmetega võib pingestada hekilõikuri avatud metallosad, mille tulemusel võib käitaja saada elektrilöögi.
- Hoidke kõik toitejuhtmed ja -kaablid lõikealast eemal.** Töötamise ajal võivad juhtmed või kaablid olla varjatult põõsastikus ja lõiketera võib need kogemata läbi lõigata.
- Ärge kasutage hekilõikurit halva ilmaga, eriti kui valitseb äikeseoht.** See vähendab välgulöögiohtu.
- Hekilõikuri üleandmisel teisele isikule pange hekilõikur korraks maha, laske see käest täiesti lahti ja võtke hekilõikur uuesti kätte.** Hekilõikuri üleandmisel käest kätte hoiakse korraga eesmisest ja tagumisest käepidemest, mistõttu hekilõikur käivitub soovimatult. Soovimatult käivitamine põhjustab raskeid vigastusi.

Lisaohutusnõuded

Ettevalmistus

- Enne tööriista kasutamist kontrollige hekke ja põõsaid seoses võõrkehadega, näiteks traataid või varjatud juhtmed.**
- Lastel ja alla 18-aastastel noortel on tööriista kasutamine keelatud.** Üle 16-aastased noored võivad olla nimetatud piirangust vabastatud, kui nad läbivad asjakohase väljaõppe asjatundja juhendamisel.
- Algajale peaks kogenud kasutaja õpetama, kuidas tööriista kasutada.**
- Tööriista kasutavad inimesed peavad olema heas füüsilises vormis.** Teie tähelepanuvõime väheneb, kui olete väsinud. Olge eriti ettevaatlik tööpäeva lõpul. Töötage alati rahulikult ja ettevaatlikult. Kasutaja on vastutav kõigi kolmandatele osalistele põhjustatud kahjude eest.
- Ärge kunagi töötage alkoholi, uimastite ega ravimite mõju all.**
- Tugevast nahast töökindad on osa põhivarustusest ja neid tuleb tööriista kasutamisel alati kanda.** Samuti kandke vastupidavaid libisemisvastase tallaga jalanõusid.
- Enne tööle asumist veenduge, et tööriist oleks heas töökorras ja turvaline.** Veenduge, et kaitsmed oleks korralikult kinnitatud. Tööriista ei tohi kasutada, kui see pole täielikult kokku pandud.

Kasutamine

- Töötades hoidke tööriista kindlalt mõlema käega.**
- Tööriist on ette nähtud maapinnal kasutamiseks.** Ärge kasutage tööriista redelitel ega muudel ebastabiilsetel alustel.

- OHT - Hoidke käed terast eemal.** Teraga kokkupuutumine võib põhjustada raske kehavigastuse.
- Ärge kasutage tööriista vihmaga ega märgades ja väga niisketes tingimustes.** Elektrimootor pole veekindel.
- Enne tööle asumist veenduge, et teil oleks kindel jalgealune.**
- Ärge käituge tööriista tarbetult koormamata olekus.** Kui lõiketerad satuvad kontakti aia või mõne muu kõva objektiga, lülitage tööriist kohe välja ja eemaldage akukassett. Kontrollige, kas lõiketerad on kahjustatud, kui on, siis vahetage need kohe.
- Lülitage tööriist enne lõiketerade kontrollimist, tõrgete eemaldamist või lõiketeradesse kiilunud materjali eemaldamist alati välja ja eemaldage akukassett.**
- Ärge kunagi suunake lõiketerasid enda ega teiste poole.**
- Kui terad ei liigu, kuna nende vahele on töö ajal jäänud võõrkehad, lülitage tööriist välja, eemaldage akukassett ja seejärel eemaldage võõrkehad sobivate tööriistadega (nt näpitsatega).** Võõrkehade käsitsi eemaldamisel võib käsi saada vigastusi, kui terad võõrkehade eemaldamisel liiguvad.

Elektriohutus ja aku ohutu talitlus

- Vältige ohtlikke piirkondi.** Ärge kasutage seadet niisketes või märgades kohtades ega jätke seda vihma kätte. Seadmesse sisse sattunud vesi suurendab elektrilöögiohtu.
- Ärge visake kasutatud akut (akusid) tulle.** Element võib plahvatada. Kasutatud akude käitlemise võimalikud erinõuded leiata kohalikest eeskirjadest.
- Akut (akusid) ei tohi avada ega kahjustada.** Väljavalgunud elektrolüüt on söövitava toimega ning võib kahjustada silmi ja nahka. See võib osutuda allaneelamiseks mürgiseks.
- Ärge laadige akut vihma käes ega märjas keskkonnas.**
- Ärge laadige akut välistingimustes.**
- Ärge käsitsege laadurit, sh laaduri pistikut ja laadimisterminali märgade kätega.**

Hooldus ja hoiundamine

- Lülitage tööriist välja ja eemaldage akukassett enne mis tahes hooldustoimingute tegemist.**
- Tööriista asukoha muutmisel, ka töötamise ajal, eemaldage alati akukassett ja paigaldage lõiketeradele terakate.** Ärge kunagi transportige tööriista, kui lõiketerad liiguvad. Ärge kunagi võtke käega lõiketeradest kinni.
- Enne tööriista pikemaks ajaks hoialepanekut ja pärast iga kasutust puhastage seda, eriti lõiketerasid.** Õlitage kergelt lõiketerasid ja pange neile kate peale.
- Hoidke tööriista paigaldatud terakatega kuivas ruumis.** Hoidke seda lastele kättesaamatus kohas. Ärge kunagi hoidke tööriista õues.
- Ärge visake kasutatud akut (akusid) tulle.** Element võib plahvatada. Kasutatud akude käitlemise võimalikud erinõuded leiata vastavasisulistest kohalikest eeskirjadest.

6. Akut (akusid) ei tohi avada ega vigastada. Väljavalgunud elektrolüüt on söövitava toimega ning võib kahjustada silmi ja nahka. See võib osutada allaneelamisel mürgiseks.
7. Ärge laadige akut vihma käes ega märjas keskkonnas.

HOIDKE JUHEND ALLES.

⚠️HOIATUS: ÄRGE UNUSTAGE järgida toote ohutusnõudeid mugavuse või toote (korduskasutamise saavutatud) hea tundmise tõttu. VALE KASUTUS või kasutusjuhendi ohutuseeskirjade eiramine võib põhjustada tervisekahjustusi.

Akukassetiga seotud olulised ohutusjuhised

1. Enne akukasseti kasutamist lugege (1) akulaadija, (2) akut ja (3) seadmel olevad juhtnõuad ja hoiatused läbi.
2. Ärge võtke akukassetti lahti ega muutke seda. See võib põhjustada tulekahju, liigset kuumust või plahvatusi.
3. Kui tööaeg järsult lüheneb, siis lõpetage kohe kasutamine. Edasise kasutamise tulemuseks võib olla ülekuumenemisoht, võimalikud põletused või isegi plahvatus.
4. Kui elektrolüüti satub silma, siis loputage silma puhta veega ja pöörduge koheselt arsti poole. Selline õnnetus võib põhjustada pimedaksjäämist.
5. Ärge tekitage akukassetis lühist:
 - (1) Ärge puutuge klemme elektrijuhtidega.
 - (2) Ärge hoidke akukassetti tööriistakastis koos metallesemetega, nagu naelad, mündid jne.
 - (3) Ärge tehke akukassetti märjaks ega jätke seda vihma kätte.

Aku lühis võib põhjustada tugevat elektrivoolu, ülekuumenemist, põletusi ning ka seadet tõsiselt kahjustada.

6. Ärge hoidke ega kasutage tööriista ja akukassetti kohtades, kus temperatuur võib tõusta üle 50 °C (122 °F).
7. Ärge põletage akukassetti isegi siis, kui see on saanud tõsiselt vigastada või on täiesti kurnunud. Akukassett võib tules plahvatada.
8. Ärge naelutage, löigake, muljuge, visake akukassetti ega laske sel kukkuda, samuti ärge lööge selle pihta kõva esemega. Selline tegevus võib põhjustada tulekahju, liigset kuumust või plahvatusi.
9. Ärge kasutage kahjustatud akut.
10. Sisalduvatele liitium-ioonakudele võivad kohaldua ohtlike kaupade õigusaktide nõuded. Kaubanduslikul transportimisel, näiteks kolmandate poolte või transpordiettevõtete poolt, tuleb järgida pakendil ja siltidel toodud erinõudeid. Transportimiseks ettevalmistamisel on vajalik pidada nõu ohtliku materjali eksperdiga. Samuti tuleb järgida võimalike riiklike regulatsioonide üksikasjalikumaid nõudeid. Katke teibiga või varjake avatud kontaktid ja pakendage aku selliselt, et see ei saaks pakendis liikuda.

11. Kasutuskõlbmatuks muutunud akukasseti kõrvaldamiseks eemaldage see tööriistast ja viige selleks ette nähtud kohta. Järgige kasutuskõlbmatuks muutunud aku kõrvaldamisel kohalikke eeskirju.
12. Kasutage akusid ainult Makita heaks kiidetud toodetega. Akude paigaldamine selleks mitte ettenähtud toodetele võib põhjustada süttimist, ülemäärast kuumust, plahvatamist või elektrolüüdi lekkimist.
13. Kui tööriista ei kasutata pika ajaperioodi jooksul, tuleb aku tööriistast eemaldada.
14. Kasutamise ajal ja pärast kasutamist võib akukassett kuumeneda, mis võib põhjustada põletusi või madala temperatuuri põletusi. Olge kuuma akukasseti kandmisel ettevaatlik.
15. Ärge puudutage tööriista klemmi kohe pärast kasutamist, sest see võib olla kuum ja põhjustada põletusi.
16. Hoidke akukasseti klemmid, avad ja sooned tükikestest, tolmust ja mullast puhtad. See võib põhjustada tööriista või aku ülekuumenemist, süttimist, purunemist ja talitlushäireid, mis võib lõppeda põletuste või kehavigastustega.
17. Kui tööriist ei kannata kasutamist kõrgepingeliinide lähedal, ärge kasutage akukassetti kõrgepingeliinide lähedal. Muidu võib tööriist või akukassett puruneda või sellel tõrge tekkida.
18. Hoidke akut lastele kättesaamatult.

HOIDKE JUHEND ALLES.

⚠️ETTEVAATUST: Kasutage ainult Makita originaalakusid. Mitte Makita originaalakude või muudetud akude kasutamine võib põhjustada akude süttimise, kehavigastuse ja kahjustuse. Samuti muudab see tehetuks Makita tööriista ja laadija Makita garantii.

Vihjeid aku maksimaalse kasutuse tagamise kohta

1. Laadige akukassetti enne selle täielikku tühjenemist. Kui märkate, et tööriist töötab väiksema võimsusega, peatage töö ja laadige akukassetti.
2. Ärge laadige täielikult laetud akukassetti. Ülelaadimine lühendab akude kasutusiga.
3. Laadige akukassetti toatemperatuuril 10 °C - 40 °C. Enne laadimist laske kuumenenud akukassetti maha jahtuda.
4. Kui te ei kasuta parajasti akukassetti, eemaldage see tööriistast või laadurist.
5. Kui te ei kasuta akukassetti kauem kui kuus kuud, laadige see.

FUNKSIONAALNE KIRJELDUS

⚠ETTEVAATUST: Kandke alati hoolt selle eest, et tööriist oleks enne reguleerimist ja kontrollimist välja lülitatud ja akukassett eemaldatud.

Akukasseti paigaldamine või eemaldamine

⚠ETTEVAATUST: Lülitage tööriist alati enne akukasseti paigaldamist või eemaldamist välja.

⚠ETTEVAATUST: Akukasseti paigaldamisel või eemaldamisel tuleb tööriista ja akukassetti kindlalt paigal hoida. Kui tööriista ja akukassetti ei hoita kindlalt paigal, võivad need käest libiseda ning kahjustada tööriista ja akukassetti või põhjustada kehavigastusi.

► **Joon.1:** 1. Punane näidik 2. Nupp 3. Akukassett

Akukasseti eemaldamiseks libistage see tööriista küljest lahti, vajutades kassetti esiküljel paiknevat nuppu alla.

Akukasseti paigaldamiseks joondage akukasseti keel korpuse soonega ja libistage kassett oma kohale. Sisestage see tervenisti, kuni see lukustub klõpsuga oma kohale. Kui näete joonisel näidatud punast näidikut, pole see täielikult lukustunud.

⚠ETTEVAATUST: Paigaldage akukassett alati täies ulatuses nii, et punast osa ei jääks näha. Muidu võib adapter juhuslikult tööriistast välja kukkuda ning põhjustada teile või läheduses viibivatele isikutele vigastusi.

















⚠ETTEVAATUST: Ärge rakendage akukassetti paigaldamisel jõudu. Kui kassett ei lähe kergesti sisse, pole see õigesti paigaldatud.

Aku jääkmahutavuse näit

Ainult näidikuga akukassettidele

► **Joon.2:** 1. Märkulambid 2. Kontrollimise nupp

Akukasseti järelejäänud mahutavuse kontrollimiseks vajutage kontrollimise nuppu. Märkulambid süttivad mõneks sekundiks.

Märkulambid			Jääkmahutavus
 Pöleb	 Ei põle	 Vilgub	
			75 - 100%
			50 - 75%
			25 - 50%
			0 - 25%
			Laadige akut.
  ↑ ↓  			Akul võib olla tõrge.

MÄRKUS: Näidatud mahutavus võib veidi erineda tegelikust mahutavusest olenevalt kasutustingimustest ja ümbritseva keskkonna temperatuurist.

MÄRKUS: Esimene (taga vasakul asuv) märgutuli vilgub, kui akukaitsesüsteem töötab.

Tööriista/aku kaitsesüsteem

TÄHELEPANU: Olenevalt kasutustingimustest seiskub tööriist automaatselt, ilma tööriista takerdunud okstest või prahist teavitamata. Sellisel juhul lülitage tööriist välja, võtke ära akukassett ning eemaldage nt tangide abil kõik takerdunud oksad või muu praht. Pärast okste või prahi eemaldamist pange akukassett tagasi ja lülitage tööriist uuesti sisse.

Tööriist on varustatud tööriista või aku kaitsesüsteemiga. Süsteem lülitab mootori automaatselt välja, et pikendada tööriista ja aku tööiga. Tööriist seiskub käitamise ajal automaatselt, kui tööriista või aku kohta kehtib üks järgmistest tingimustest.

Ülekoormuskaitse

Kui tööriist või aku hakkab kasutamise käigus tarbima ebaharilikult palju voolu, seiskub tööriist automaatselt. Sel juhul lülitage tööriist välja ja lõpetage tööriista ülekoormuse põhjustanud töö. Pärast seda käivitage tööriist uuesti.

Ülekuumenemiskaitse

Tööriista või aku ülekuumenemisel seiskub tööriist automaatselt. Laske sellisel juhul tööriistal ja akul enne tööriista uuesti sisselülitamist jahtuda.

Ülelaadimiskaitse

Kui aku laetuse tase ei ole piisav, seiskub tööriist automaatselt. Sellisel juhul eemaldage aku seadmest ja laadige täis.

Kaitse muude põhjuste korral

Kaitsesüsteem on mõeldud ka muude põhjuste jaoks, mis võivad tööriista kahjustada, ja võimaldab tööriistal automaatselt seiskuda. Kui tööriist on ajutiselt peatatud või seiskunud, toimige põhjuste kõrvaldamiseks järgnevalt.

1. Lülitage tööriist välja ja seejärel taaskäivitamiseks uuesti sisse.
2. Laadige akut (akusid) või asendage aku (akud).
3. Laske masinal ja akul (akudel) maha jahtuda.

Kui kaitsesüsteemi taastamisega ei õnnestu olukorda parandada, võtke ühendust kohaliku Makita hoolduskeskusega.

TÄHELEPANU: Kui tööriist on seiskunud põhjusel, mida eespool pole kirjeldatud, lugege tõrkeotsingu jaotist.

Lüliti funktsioneerimine

⚠️HOIATUS: Ohutuse huvides on sellel tööriistal hooblüliti, mis takistab tööriista ootamatut käivitumist. **ÄRGE KUNAGI** kasutage tööriista, kui see hakkab tööle lihtsalt lüliti päästiku vajutamisel, ilma hooblüliti vajutamata. **ENNE** edasi kasutamist viige tööriist asjatundlikuks parandamiseks meie volitatud teeninduskeskusesse.

⚠️HOIATUS: ÄRGE teipige hooblüliti kinni ega takistage sellel oma otstarvet täita ja töötada.

⚠️HOIATUS: Kontrollige alati enne akukasseti tööriista külge paigaldamist, kas lüliti päästik ja lüliti hoob funktsioneerivad nõuetekohaselt ning liiguvad lahtilaskmisel tagasi väljalülitatud asendisse. Tööriista juhtimine lüliti abil, mis ei toimi korralikult, võib kaasa tuua kontrolli kaotamise sae üle ja põhjustada tõsiseid vigastusi.

⚠️ETTEVAATUST: Ärge asetage kandmise ajal oma sõrme lülile. Tööriist võib tahtmatult käivituda ja põhjustada vigastuse.

Tööriista käivitamiseks hoidke eesmist käepidet, vajutades samal ajal hooblüliti ja tömmates lüliti päästikut. Tööriista seiskamiseks laske lahti kas lüliti päästik või hooblüliti.

► **Joon.3:** 1. Eesmine käepide 2. Hooblüliti 3. Lüliti päästik

Märgutuli

► **Joon.4:** 1. Märgutuli

Kui aku hakkab tühjenema või tööriist on üle kuumenenud, hakkab märgutuli vilkuma või süttib. Vaadake olekuid ja vajalikke tegevusi järgmisest tabelist.

Märgutuli	Olek	Vajalik tegevus
Tuli vilgub punaselt.	Akumahtu on vähe järel.	Laadige akut või asendage see laetud akuga.
Tuli süttib punaselt.	Aku on tühi.	Laadige akut või asendage see laetud akuga.
	Tööriist on ülekoormuse tõttu seiskunud.	Lülitage tööriist välja ja kõrvaldage ülekoormuse põhjus.
	Tööriist on ülekuumenemise tõttu seiskunud.	Lülitage tööriist välja ning laske tööriistal ja akul jahtuda.

MÄRKUS: Märgutule vilkumise või süttimise algusaeg on leib tööala temperatuurist ja akukasseti seisundist.

Elektroniline funktsioon

Tööriistal on lihtsama kasutamise jaoks elektronilised funktsioonid.

- Püsikiiruse juhtimine
Kiiruse juhtimise funktsioon tagab koormusest olenemata püsiva pöörlemiskiiruse.
- Elektriline pidur
Tööriistal on elektriline pidur. Kui tööriist ei suuda pidevalt pärast lüliti päästiku vabastamist kiiresti lõiketerasid seisata, viige see hooldusse Makita volitatud teeninduskeskusesse.
- Juhusliku taaskäivitamise vältimise funktsioon
Akukasseti paigaldamise ajal ei käivitu tööriist isegi lüliti päästiku tõmbamisel. Tööriista käivitamiseks vabastage esmalt lüliti päästik ja tõmmake siis lüliti päästikut.

KOKKUPANEK

⚠️ETTEVAATUST: Kandke alati hoolt selle eest, et tööriist oleks enne igasuguseid hooldustöid välja lülitatud ja akukassett eemaldatud.

⚠️ETTEVAATUST: Lõiketerade paigaldamisel kandke alati kindaid ja olge ettevaatlik, et käed ei satuks teraga otsesesse kontakti.

TÄHELEPANU: Lõiketerade asendamisel ärge pühkige hammasrattalt ega vändalt mäaret maha.

Lõiketerade paigaldamine või eemaldamine

⚠️ETTEVAATUST: Paigaldage enne lõiketerade eemaldamist või paigaldamist terakate.

Saate oma tööriistale paigaldada 500 mm või 600 mm lõiketerad.

1. Kinnitage lõiketera kate lõiketeradele.

► **Joon.5:** 1. Lõiketera kate

2. Asetage tööriist tagurpidi, seejärel eemaldage 6 polti ning siis kate ja plaat.

► **Joon.6:** 1. Polt 2. Kate 3. Plaat

MÄRKUS: Plaat võib jääda kate külge.

3. Keerake vända kruvikeerajaga, nii et 2 ava oleksid lõiketerade suhtes risti.

► **Joon.7:** 1. Vänd 2. Ava

4. Eemaldage 2 polti, viltald ja hülsid ning eemaldage lõiketerad.

► **Joon.8:** 1. Viltald 2. Polt 3. Hüls 4. Lõiketerad

5. Eemaldage lõiketera kate ja paigaldage see seejärel uutele lõiketeradele.

► **Joon.9:** 1. Lõiketera kate

6. Joondage lõiketerade tagaservad joonisel näidatud viisil.

► **Joon.10:** 1. Tagaserv

7. Lükake lõiketerasid kergelt, nagu joonisel on näidatud, ning seejärel kinnitage lõiketeradele hülsid.

► **Joon.11:** 1. Hüls

8. Lükake lõiketera katet kergelt lõiketerade otsa poole ning seejärel kinnitage lõiketerad tööriistale.

► **Joon.12:** 1. Lõiketerad

TÄHELEPANU: Kandke väike kogus määret lõiketerades oleva ava sisepinnale.

TÄHELEPANU: Jälgige, et muhvid ära ei kaoks.

9. Lükake lõiketerad ja hülsid nii, et hülsides olevad avad oleksid tööriistas olevate avadega kokakuti.

► **Joon.13:** 1. Ava tööriistas 2. Ava hülsis

10. Pingutage poldid lõiketerade fikseerimiseks.

► **Joon.14:** 1. Pold

11. Kinnitage lõiketeradele viiltald.

► **Joon.15:** 1. Viiltald

12. Kinnitage plaat.

► **Joon.16:** 1. Plaat

13. Kinnitage kate ja seejärel pingutage kuus polti.

► **Joon.17:** 1. Pold 2. Kate

TÄHELEPANU: Kui lõiketerad ei liigu sujuvalt, ei ole need korralikult vändale kinnitunud. Paigaldage lõiketerad uuesti.

TÄHELEPANU: Kui muud osad peale lõiketerade, näiteks vänt on kulunud, laske osad Makita volitatud teeninduskeskustes välja vahetada või parandada.

Laastukoguja paigaldamine ja eemaldamine

Lisatarvik

⚠ETTEVAATUST: Laastukoguja paigaldamisel või eemaldamisel kandke alati kindaid ja kandke hoolt selle eest, et käed ei satuks lõiketeradega otsesesse kontakti.

TÄHELEPANU: Terakat ei saa paigaldada, kui laastukoguja on tööriistale paigaldatud. Enne tööriista transporti või hoiustamist eemaldage laastukoguja ja paigaldage terakate, et vältida lõiketera kaitseta jätmist.

TÄHELEPANU: Enne laastukoguja paigaldamist eemaldage kindlasti terakate.

Laastukoguja kogub kõrvaleheidetud lehti ja muudab hilisema puhastamise oluliselt lihtsamaks. Selle saab paigaldada tööriista ükskõik kummale küljele.

1. Joondage laastukogujal olevad avad lõiketeral olevate kruvidega.

► **Joon.18:** 1. Kruvi

2. Haakige laastukoguja haaratsid lõiketeradel asuva soone külge.

► **Joon.19:** 1. Haarats 2. Soon

3. Vajutage laastukogujal olevaid hoobasid ja haakige seejärel haaratsid teisel pool lõiketeradel asuva soone külge.

► **Joon.20:** 1. Hoob

Laastukoguja eemaldamiseks vajutage konksude vabastamise hoobadele.

► **Joon.21:** 1. Hoob

TÄHELEPANU: Ärge kunagi proovige laastukoguja tööriista eemaldada, kui selle konksud on lõiketerade külge lukustatud.

TÖÖRIISTA KASUTAMINE

⚠HOIATUS: Hoidke käed lõiketeradest eemal.

⚠ETTEVAATUST: Vältige nii palju kui võimalik tööriista kasutamist väga kuuma ilmaga. Pidage tööriista kasutamisel silmas oma füüsilist vormi.

⚠ETTEVAATUST: Olge lõigates ettevaatlik, et trimmer ei satuks kontakti metalliaia ega mõne muu kõva esemega. Lõiketerad võivad puruneda ja põhjustada kehavigastusi.

⚠ETTEVAATUST: Olge ettevaatlik, et lõiketerad ei puutuks vastu maad. Tööriist võib tagasi lüüa ja põhjustada kehavigastusi.

⚠ETTEVAATUST: Liigne upitamine hekitrimmeriga, eriti redeliit, on väga ohtlik. Ärge töötage, kui seisate kõikuval ega ebakindlal pinnal.

TÄHELEPANU: Ärge püüdke tööriistaga lõigata jämedamaid oksa kui 10 mm. Lõigake enne tööriista kasutamist oksad oksalõikuriga lõikekõrgusest kuni 10 cm madalamaks.

► **Joon.22:** (1) Lõikekõrgus (2) 10 cm

TÄHELEPANU: Ärge lõigake maha surnud puid ega sarnaseid kõvasid asju. See võib kahjustada tööriista.

TÄHELEPANU: Rohtu ega umbrohtu ei tohi lõiketeradega lõigata. Lõiketerad võivad rohtu või umbrohtu takerduda.

Hoidke tööriista mõlema käega, hoidke eesmist käepidet, vajutades samal ajal hooblülilit ja tõmmates lüliti päästikut, ning seejärel liigutage tööriista ettepoole.

► **Joon.23**

Tavakasutuseks kallutage lõiketerasid lõikesuunas ning liigutage tööriista rahulikult ja aeglaselt kiirusega 3 kuni 4 sekundit meetri kohta.

► **Joon.24**

Heki ülemise osa ühtlaseks pügamiseks siduge pügamiskõrgusele nõör ja lõigake mööda seda.

► **Joon.25**

Kui laastukoguja on lõiketeradele kinnitatud, kogub see kõrvaleheidetud lehti ja muudab hilisema puhastamise oluliselt lihtsamaks.

► **Joon.26**

Heki ühtlaselt lõikamiseks küljelt lõigake seda alt üles.

► **Joon.27**

Kui soovite lõigata ümarat kuju (pukspuu, rododendron), lõigake kauni tulemuse saamiseks alt üles.

► **Joon.28**

HOOLDUS

⚠ETTEVAATUST: Enne kontroll- või hooldustoimingute tegemist kandke alati hoolt selle eest, et tööriist oleks välja lülitatud ja akukassett korpuse küljest eemaldatud.

Toote OHUTUSE ja TÖÖKINDLUSE tagamiseks tuleb vajalikud remonttööd ning muud hooldus- ja reguleerimistööd lasta teha Makita volitatud teeninduskeskustes või tehase teeninduskeskustes. Alati tuleb kasutada Makita varuosi.

Tööriista puhastamine

Tööriista puhastamiseks pühkige sellelt kuiva või seebivette kastetud ja välja väänatud lapiga tolm.

TÄHELEPANU: Ärge kunagi kasutage bensiini, vedeldit, alkoholi ega midagi muud sarnast. Selle tulemuseks võib olla luitumine, deformatsioon või pragunemine.

Lõiketera hooldamine

Enne tööle asumist või töö käigus kord tunnis kandke lõiketeradele väikese viskoossusega õli (masinaõli või pihustatav määrdõli).

► Joon.29

Pärast kasutamist eemaldage lõiketerade mõlemalt küljelt traatharjaga tolm, pühkige see lapiga ära ja seejärel kandke teradele väikese viskoossusega õli (masinaõli või pihustatav määrdõli).

► Joon.30

TÄHELEPANU: Ärge peske lõiketerasid vees. Eiramise korral võib tööriist roostetada või viga saada.

TÄHELEPANU: Mustus ja korrosioon põhjustavad terade ülemäärast hõõrdumist ning lühendavad tööaega aku laadimiskorra kohta.

Hoiustamine

Tööriista all oleva konksuauguga on mugav riputada tööriista seinale naela või kruvi otsa. Kinnitage terakate lõiketeradele nii, et terad ei paistaks välja. Hoidke tööriista lastele kättesaamatus kohas. Hoidke tööriista kohas, kuhu ei pääse niiskust ega vihma.

► Joon.31: 1. Auk

Lõiketerade teritamine

TÄHELEPANU: Kui lõiketerad on kasutamise tulemusena tunduvalt deformeerunud, vahetage lõiketerad uute vastu.

1. Paigaldage akukassett tööriista külge.
2. Lülitage tööriist sisse ja käivitage see nii, et ülemine ja alumine tera paikneksid vaheldumisi.
► Joon.32
3. Lülitage tööriist välja ja eemaldage sellest akukassett.
4. Seadke viili nurgaks 35° ja ihuge ülemist lõiketera viiliga kahest suunast.
► Joon.33: (1) Viil (2) 35°

⚠ETTEVAATUST: Enne lõiketera viilimist kandke alati hoolt selle eest, et tööriist oleks välja lülitatud ja akukassett eemaldatud.

5. Asetage tööriist tagurpidi ja seejärel eemaldage lihvimiskiviga lõiketeradelt ebatasasused.
► Joon.34: 1. Lihvimiskivi
6. Seadke viili nurgaks 35° ja ihuge alumist lõiketera viiliga kahest suunast.
7. Asetage tööriist tavaasendisse ja seejärel eemaldage lihvimiskiviga lõiketeradelt ebatasasused.

Määrimine

Määrimise intervall: Iga 50 töötunni järel

1. Eemaldage määrimiseks polt august.
► Joon.35: 1. Polt
2. Eemaldage määrdeanuma kork. Viige määrdeanuma väljastusava kattes oleva avaga kohakuti ja keerake seejärel määrdeanumat, et selle väljastusava kinnituks avale.
► Joon.36: 1. Aluse määrimine 2. Ava
3. Määrige tööriista (ligikaudu 3 g juhendi järgi).
4. Eemaldage määrimisanum.
5. Pingutage polte.

VEAOTSING

Enne remonditöökotta pöördumist kontrollige niidukit ise. Ärge üritage niidukit lahti võtta, kui leiate probleemi, mida kasutusjuhendis ei kirjeldata. Selle asemel pöörduge Makita volitatud teeninduskeskusesse, kus kasutatakse remontimisel alati Makita tagavaraosi.

Tõrge	Võimalik põhjus (riike)	Lahendus
Mootor ei tööta.	Akukassett ei ole paigaldatud.	Paigaldage akukassett.
	Akuga seotud probleem (alapinge)	Laadige aku. Kui laadimine ei anna tulemust, vahetage aku välja.
	Veosüsteem ei tööta korralikult.	Paluge volitatud teeninduskeskuses teha parandustööd.
Mootor seiskub pärast lühiajalist töötamist.	Aku laetustase on madal.	Laadige aku. Kui laadimine ei anna tulemust, vahetage aku välja.
	Ülekuumenemine.	Lõpetage tööriista kasutamine ja laske sel maha jahtuda.
Tööriist ei saavuta maksimaalset pöörlemiskiirust.	Aku ei ole õigesti paigaldatud.	Paigaldage akukassett juhendis kirjeldatud viisil.
	Aku võimsus langeb.	Laadige aku. Kui laadimine ei anna tulemust, vahetage aku välja.
	Veosüsteem ei tööta korralikult.	Paluge volitatud teeninduskeskuses teha parandustööd.
Lõiketerad ei liigu: ⇒ seisake masin viivitamatult!	Lõiketerade vahele on sattunud võõrkehad.	Lülitage tööriist välja ja eemaldage akukassett, seejärel eemaldage võõrkehad tööriista abil, näiteks tangidega.
	Veosüsteem ei tööta korralikult.	Paluge volitatud teeninduskeskuses teha parandustööd.
Ebatavaline vibratsioon: ⇒ seisake masin viivitamatult!	Lõiketerad on katki, painutatud või kulunud.	Vahetage lõiketerad.
	Veosüsteem ei tööta korralikult.	Paluge volitatud teeninduskeskuses teha parandustööd.
Lõiketerad ja mootor ei seisku: ⇒ eemaldage viivitamatult aku!	elektriline riike.	Eemaldage aku ja paluge kohalikul ametiikul teeninduskeskusel tööriist remontida.

VALIKULISED TARVIKUD

⚠ETTEVAATUST: Neid tarvikuid ja lisaseadiseid on soovitatav kasutada koos Makita tööriistaga, mille kasutamist selles kasutusjuhendis kirjeldatakse. Muude tarvikute ja lisaseadiste kasutamisega kaasneb vigastada saamise oht. Kasutage tarvikuid ja lisaseadiseid ainult otstarbekohaselt.

Saate vajaduse korral kohalikust Makita teeninduskeskusest lisateavet nende tarvikute kohta.

- Lõiketera koost
- Lõiketera kate
- Laastukoguja
- Aluse määrimine
- Makita algupärane aku ja laadija

MÄRKUS: Mõned nimekirjas loetletud tarvikud võivad kuuluda standardvarustusse ning need on lisatud tööriista pakendisse. Need võivad riigiti erineda.

ТЕХНИЧЕСКИЕ ХАРАКТЕРИСТИКИ

Модель:	DUH506	DUH606
Длина ножа	500 мм	600 мм
Рабочая частота	4 000 мин ⁻¹	
Общая длина (без аккумулятора)	846 мм	965 мм
Номинальное напряжение	18 В пост. тока	
Масса нетто	2,5 – 2,9 кг	2,7 – 3,0 кг

- Благодаря нашей постоянно действующей программе исследований и разработок указанные здесь технические характеристики могут быть изменены без предварительного уведомления.
- Технические характеристики могут различаться в зависимости от страны.
- Масса может отличаться в зависимости от дополнительного оборудования. Обратите внимание, что блок аккумулятора также считается дополнительным оборудованием. В таблице представлены комбинации с наибольшим и наименьшим весом в соответствии с процедурой EPTA 01/2014.

Подходящий блок аккумулятора и зарядное устройство

Блок аккумулятора	BL1815N / BL1820B / BL1830B / BL1840B / BL1850B / BL1860B
Зарядное устройство	DC18RC / DC18RD / DC18RE / DC18SD / DC18SE / DC18SF / DC18SH / DC18WC

- В зависимости от региона проживания некоторые блоки аккумуляторов и зарядные устройства, перечисленные выше, могут быть недоступны.

⚠ ОСТОРОЖНО: Используйте только перечисленные выше блоки аккумуляторов и зарядные устройства. Использование других блоков аккумуляторов и зарядных устройств может привести к травме и/или пожару.





Рекомендованный источник электропитания с проводным подключением

Портативный блок питания	PDC01
--------------------------	-------

- В некоторых регионах определенные модели перечисленных выше источников электропитания с проводным подключением могут быть недоступны.
- Перед началом использования источника электропитания с проводным подключением изучите инструкцию и предупреждающие надписи на нем.

Символы

Ниже приведены символы, которые могут использоваться для обозначения оборудования. Перед использованием убедитесь в том, что вы понимаете их значение.

	Прочитайте руководство по эксплуатации.
	Используйте защитные очки.
	ОПАСНО! Держите руки на безопасном расстоянии от режущего диска.
	Бережь от влаги.



Ni-MH
Li-ion

Только для стран ЕС

В связи с наличием в оборудовании опасных компонентов отходы электрического и электронного оборудования, аккумуляторы и батареи могут оказывать негативное влияние на окружающую среду и здоровье человека.

Не выбрасывайте электрические и электронные устройства или батареи вместе с бытовыми отходами!

В соответствии с директивой ЕС по отходам электрического и электронного оборудования, по аккумуляторам, батареям и отходам аккумуляторов и батарей, а также в соответствии с ее адаптацией к национальному законодательству, отходы электрического оборудования, батареи и аккумуляторы следует хранить отдельно и доставлять на пункт раздельного сбора коммунальных отходов, работающий с соблюдением правил охраны окружающей среды. Это обозначено символом в виде перечеркнутого мусорного контейнера на колесах, нанесенным на оборудование.



Гарантированный уровень звуковой мощности в соответствии с Директивой ЕС по шумам вне помещений.



Уровень звуковой мощности в соответствии с Регламентом Австралии (Новый Южный Уэльс) по контролю за шумом

Назначение

Инструмент предназначен для подрезки живой изгороди.

Шум

Применимый стандарт : EN62841-4-2

Модель	Уровень звукового давления		Уровень звуковой мощности	
	L _{ра} (дБ(А))	Погрешность, К (дБ(А))	L _{чвв} (дБ(А))	Погрешность, К (дБ(А))
DUH506	77	3	88	3
DUH606	79	3	90	3

ПРИМЕЧАНИЕ: Заявленное значение распространения шума измерено в соответствии со стандартной методикой испытаний и может быть использовано для сравнения инструментов.

ПРИМЕЧАНИЕ: Заявленное значение распространения шума можно также использовать для предварительных оценок воздействия.

⚠ ОСТОРОЖНО: Используйте средства защиты слуха.

⚠ ОСТОРОЖНО: Распространение шума во время фактического использования электроинструмента может отличаться от заявленного значения в зависимости от способа применения инструмента и в особенности от типа обрабатываемой детали.

⚠ ОСТОРОЖНО: Обязательно определите меры безопасности для защиты оператора, основанные на оценке воздействия в реальных условиях использования (с учетом всех этапов рабочего цикла, таких как выключение инструмента, работа без нагрузки и включение).

Вибрация

Суммарное значение вибрации (сумма векторов по трем осям), определенное в соответствии с EN62841-4-2:

Модель	Передняя рукоятка		Задняя рукоятка	
	a _h (м/с ²)	Погрешность, К (м/с ²)	a _h (м/с ²)	Погрешность, К (м/с ²)
DUH506	2,5 м/с ² или менее	1,5	2,5 м/с ² или менее	1,5
DUH606	2,5 м/с ² или менее	1,5	2,5 м/с ² или менее	1,5

ПРИМЕЧАНИЕ: Заявленное общее значение распространения вибрации измерено в соответствии со стандартной методикой испытаний и может быть использовано для сравнения инструментов.

ПРИМЕЧАНИЕ: Заявленное общее значение распространения вибрации можно также использовать для предварительных оценок воздействия.

⚠ ОСТОРОЖНО: Распространение вибрации во время фактического использования электроинструмента может отличаться от заявленного значения в зависимости от способа применения инструмента и в особенности от типа обрабатываемой детали.

⚠ ОСТОРОЖНО: Обязательно определите меры безопасности для защиты оператора, основанные на оценке воздействия в реальных условиях использования (с учетом всех этапов рабочего цикла, таких как выключение инструмента, работа без нагрузки и включение).

Декларация о соответствии ЕС

Только для европейских стран

Декларация о соответствии ЕС включена в руководство по эксплуатации (Приложение А).

МЕРЫ БЕЗОПАСНОСТИ

Общие рекомендации по технике безопасности для электроинструментов

▲ОСТОРОЖНО: Ознакомьтесь со всеми представленными инструкциями по технике безопасности, указаниями, иллюстрациями и техническими характеристиками, прилагаемыми к данному электроинstrumentу. Несоблюдение каких-либо инструкций, указанных ниже, может привести к поражению электрическим током, пожару и/или серьезной травме.

Сохраните брошюру с инструкциями и рекомендациями для дальнейшего использования.

Термин "электроинструмент" в предупреждениях относится ко всему инструменту, работающему от сети (с проводом) или на аккумуляторах (без провода).

Правила техники безопасности при эксплуатации аккумулятора кустореза

1. **Держитесь на безопасном расстоянии от лезвия. Не удаляйте срезанные ветки и не придерживайте ветки, которые собираетесь срезать, когда диски находятся в движении.** После выключения выключателя лезвия продолжают двигаться. Секундная невнимательность при работе с электрическим кусторезом может привести к тяжелой травме.
2. **Переноска электрический кусторез за ручку после полной остановки лезвия и следите за тем, чтобы не нажать выключатель питания.** Переноска электрического кустореза при соблюдении мер безопасности снизит риск непреднамеренного пуска и получения травм от лезвий.
3. **При транспортировке или хранении электрического кустореза устанавливайте кожух лезвия.** Обращение с электрическим кусторезом при соблюдении мер безопасности снизит риск получения травм от лезвий.
4. **При удалении застрявших обрезков или обслуживании инструмента убедитесь в том, что все выключатели питания выключены, аккумуляторный блок извлечен или отсоединен.** Неожиданное срабатывание электрического кустореза во время удаления застрявших предметов или обслуживания может привести к тяжелым травмам.
5. **Держите электрический кусторез только за специальные изолированные поверхности, поскольку при выполнении работ существует риск контакта режущего диска со скрытой электропроводкой.** Контакт лезвий с находящимся под напряжением проводом приведет к тому, что на металлические детали электрического кустореза также будет подано напряжение, что приведет к поражению оператора электрическим током.

6. **Держите все шнуры питания и кабели на безопасном расстоянии от места среза.** Труднозаметные в живых изгородях или кустах шнуры или кабели питания можно случайно разрезать лезвием.
7. **Не используйте электрический кусторез в неблагоприятных погодных условиях, особенно если существует риск удара молнией.** Это снижает риск удара молнией.
8. **При передаче электрического кустореза другому лицу сначала положите электрический кусторез на землю и забирайте его только после того, как он будет полностью отпущен.** Передавая электрический кусторез из рук в руки, вам придется брать его одновременно за переднюю и заднюю рукоятки, после чего электрический кусторез непреднамеренно запустится. Непреднамеренный запуск может привести к серьезной травме.

Дополнительные инструкции по технике безопасности

Подготовка

1. **Перед началом работ с инструментом проверяйте изгороди и кустарники на наличие посторонних предметов, таких как проволочные ограждения или скрытая электропроводка.**
2. **Инструментом не должны пользоваться дети или лица, не достигшие возраста 18 лет.** Лица старше 16 лет могут не подпадать под действие этого ограничения в случае, если они проходят обучение под надзором специалиста.
3. **В случае использования инструмента впервые необходимо, чтобы опытный специалист показал приемы работы с ним.**
4. **Используйте инструмент только в том случае, если находитесь в хорошем физическом состоянии.** Если вы устали, ваше внимание будет ослаблено. Соблюдайте повышенную осторожность в конце рабочего дня. Выполняйте все работы спокойно и аккуратно. Пользователь несет ответственность за ущерб, причиненный третьим лицам.
5. **Инструмент запрещается использовать после приема алкоголя, наркотиков или лекарственных препаратов.**
6. **Перчатки из толстой кожи являются частью необходимого рабочего набора.** Обязательно надевайте их при эксплуатации инструмента. Кроме того, обязательно надевайте прочные ботинки с противоскользящими подошвами.
7. **Перед началом работы убедитесь в том, что инструмент находится в исправном состоянии.** Проверьте наличие и правильность установки соответствующих защитных кожухов. Инструмент можно использовать только в полностью собранном виде.

Эксплуатация

1. Во время работы крепко удерживайте инструмент двумя руками.
2. Инструмент предназначен для использования оператором на уровне земли. Не используйте инструмент на лестницах или любой другой неустойчивой опоре.
3. **ОПАСНО** - Держите руки на расстоянии от режущего диска. Прикосновение к диску может привести к серьезной травме.
4. Не пользуйтесь инструментом во время дождя и в условиях высокой влажности. Электродвигатель не защищен от влаги.
5. Перед началом работы займите устойчивое положение.
6. Не эксплуатируйте инструмент без нагрузки, если в этом нет необходимости.
7. Немедленно выключите инструмент и извлеките блок аккумулятора, если срезающие лезвия задевают ограду или другой твердый предмет. Убедитесь в отсутствии повреждений на лезвиях. Незамедлительно замените лезвия в случае наличия на них повреждений.
8. Перед проверкой срезающих лезвий, устранив неисправностей или удалением застрявшего в срезающих лезвиях материала обязательно выключите инструмент и извлеките блок аккумулятора.
9. Никогда не направляйте лезвия секатора на себя или окружающих.
10. Если во время работы ножи останавливаются вследствие застревания между ними посторонних предметов, отключите инструмент и извлеките блок аккумулятора, после чего удалите посторонние предметы, например, плоскогубцами. Удаление посторонних предметов руками сопряжено с риском травмирования, поскольку при удалении посторонних предметов ножи могут сместиться.

Электробезопасность

1. Избегайте опасных сред. Не используйте инструмент в местах с повышенной влажностью и под дождем. Попавшая в инструмент вода повышает опасность поражения электрическим током.
2. Не бросайте аккумуляторные блоки в огонь. Они могут взорваться. Уточните местные правила утилизации аккумуляторов.
3. Не вскрывайте и не разбивайте аккумулятор. Содержащийся в них электролит очень едкий, вы можете повредить глаза или кожу. При проглатывании это вещество может вызвать отравление.
4. Не заряжайте аккумулятор под дождем или в местах с повышенной влажностью.
5. Не заряжайте аккумулятор на улице.
6. Не касайтесь зарядного устройства, а также штекера и контактов зарядного устройства влажными руками.

Техническое обслуживание и хранение

1. Перед выполнением технического обслуживания выключите инструмент и извлеките блок аккумулятора.
2. Переносите инструмент в другое место (в том числе во время работы), обязательно извлекайте блок аккумулятора и устанавливайте кожух лезвия на срезающие лезвия. Запрещено переносить или перевозить инструмент с движущимися лезвиями. Запрещено брать руками за лезвия.
3. Очищайте инструмент и особенно срезающие лезвия после использования, а также перед длительным хранением. Нанесите небольшое количество смазки на лезвия и наденьте кожух лезвия.
4. Храните инструмент с установленным кожухом лезвия в чехле в сухом помещении. Берегите от детей. Запрещается хранить инструмент вне помещения.
5. Не бросайте аккумуляторные блоки в огонь. Они могут взорваться. Уточните местные правила утилизации аккумуляторов.
6. Не вскрывайте и не разбивайте аккумулятор. Содержащийся в них электролит очень едкий, вы можете повредить глаза или кожу. При проглатывании может привести к отравлению.
7. Не заряжайте аккумулятор под дождем или в местах с повышенной влажностью.

СОХРАНИТЕ ДАННЫЕ ИНСТРУКЦИИ.

⚠ОСТОРОЖНО: НЕ ДОПУСКАЙТЕ, чтобы удобство или опыт эксплуатации данного устройства (полученный от многократного использования) доминировали над строгим соблюдением правил техники безопасности при обращении с этим устройством. НЕПРАВИЛЬНОЕ ИСПОЛЬЗОВАНИЕ инструмента или несоблюдение правил техники безопасности, указанных в данном руководстве, может привести к тяжелой травме.

Важные правила техники безопасности для работы с аккумуляторным блоком

1. Перед использованием аккумуляторного блока прочитайте все инструкции и предупреждающие надписи на (1) зарядном устройстве, (2) аккумуляторном блоке и (3) инструменте, работающем от аккумуляторного блока.
2. Не разбирайте блок аккумулятора и не меняйте его конструкцию. Это может привести к пожару, перегреву или взрыву.
3. Если время работы аккумуляторного блока значительно сократилось, немедленно прекратите работу. В противном случае, может возникнуть перегрев блока, что приведет к ожогам и даже к взрыву.

4. В случае попадания электролита в глаза промойте их обильным количеством чистой воды и немедленно обратитесь к врачу. Это может привести к потере зрения.
5. Не замыкайте контакты аккумуляторного блока между собой:
 - (1) Не прикасайтесь к контактам какими-либо токопроводящими предметами.
 - (2) Не храните аккумуляторный блок в контейнере вместе с другими металлическими предметами, такими как гвозди, монеты и т. п.
 - (3) Не допускайте попадания на аккумуляторный блок воды или дождя.

Замыкание контактов аккумуляторного блока между собой может привести к возникновению большого тока, перегреву, возможным ожогам и даже поломке блока.
6. Не храните и не используйте инструмент и аккумуляторный блок в местах, где температура может достигать или превышать 50 °C (122 °F).
7. Не бросайте аккумуляторный блок в огонь, даже если он сильно поврежден или полностью вышел из строя. Аккумуляторный блок может взорваться под действием огня.
8. Запрещено вбивать гвозди в блок аккумулятора, резать, ломать, бросать, ронять блок аккумулятора или ударять его твердым предметом. Это может привести к пожару, перегреву или взрыву.
9. Не используйте поврежденный аккумуляторный блок.
10. Входящие в комплект литий-ионные аккумуляторы должны эксплуатироваться в соответствии с требованиями законодательства об опасных товарах.

При коммерческой транспортировке, например, третьей стороной или экспедитором, необходимо нанести на упаковку специальные предупреждения и маркировку.

В процессе подготовки устройства к отправке обязательно проконсультируйтесь со специалистом по опасным материалам. Также соблюдайте местные требования и нормы. Они могут быть строже.

Закройте или закрепите разомкнутые контакты и упакуйте аккумулятор так, чтобы он не перемещался по упаковке.
11. Для утилизации блока аккумулятора извлеките его из инструмента и утилизируйте безопасным способом. Выполняйте требования местного законодательства по утилизации аккумуляторного блока.
12. Используйте аккумуляторы только с продукцией, указанной Makita. Установка аккумуляторов на продукцию, не соответствующую требованиям, может привести к пожару, перегреву, взрыву или утечке электролита.
13. Если инструментом не будут пользоваться в течение длительного периода времени, извлеките аккумулятор из инструмента.
14. Во время и после использования блок аккумулятора может нагреваться, что может стать причиной ожогов или низкотемпературных ожогов. Будьте осторожны при обращении с горячим блоком аккумулятора.
15. Не прикасайтесь к контактам инструмента сразу после использования, поскольку они могут быть достаточно горячими, чтобы вызвать ожоги.
16. Не допускайте налипания на контакты, отверстия и пазы блока аккумулятора опилок, пыли или земли. Это может стать причиной перегрева, возгорания, взрыва или неисправности инструмента или блока аккумулятора, что может привести к ожогам или травмам.
17. Если инструмент не рассчитан на использование вблизи высоковольтных линий электропередач, не используйте блок аккумулятора вблизи высоковольтных линий электропередач. Это может привести к неисправности, поломке инструмента или блока аккумулятора.
18. Храните аккумулятор в недоступном для детей месте.

СОХРАНИТЕ ДАННЫЕ ИНСТРУКЦИИ.

▲ВНИМАНИЕ: Используйте только фирменные аккумуляторные батареи Makita. Использование аккумуляторных батарей, не произведенных Makita, или батарей, которые были подвергнуты модификациям, может привести к взрыву аккумулятора, пожару, травмам и повреждению имущества. Это также автоматически аннулирует гарантию Makita на инструмент и зарядное устройство Makita.

Советы по обеспечению максимального срока службы аккумулятора

1. Заряжайте блок аккумуляторов перед его полной разрядкой. Обязательно прекратите работу с инструментом и зарядите блок аккумуляторов, если вы заметили снижение мощности инструмента.
2. Никогда не подзаряжайте полностью заряженный блок аккумуляторов. Перезарядка сокращает срок службы аккумулятора.
3. Заряжайте блок аккумуляторов при комнатной температуре в 10 - 40 °C (50 - 104 °F). Перед зарядкой горячего блока аккумулятора дайте ему остыть.
4. Если блок аккумулятора не используется, извлеките его из инструмента или зарядного устройства.
5. Зарядите ионно-литиевый аккумуляторный блок, если вы не будете пользоваться инструментом длительное время (более шести месяцев).

ОПИСАНИЕ РАБОТЫ

ВНИМАНИЕ: Перед регулировкой или проверкой функций инструмента обязательно убедитесь, что он выключен и его аккумуляторный блок снят.

Установка или снятие блока аккумулятора

ВНИМАНИЕ: Обязательно выключайте инструмент перед установкой и извлечением аккумуляторного блока.

ВНИМАНИЕ: При установке и извлечении аккумуляторного блока крепко удерживайте инструмент и аккумуляторный блок. Если не соблюдать это требование, они могут выскользнуть из рук, что приведет к повреждению инструмента, аккумуляторного блока и травмированию оператора.

► **Рис.1:** 1. Красный индикатор 2. Кнопка 3. Блок аккумулятора

Для снятия аккумуляторного блока нажмите кнопку на лицевой стороне и извлеките блок.

Для установки блока аккумулятора совместите выступ блока аккумулятора с пазом в корпусе и задвиньте его на место. Устанавливайте блок до упора, чтобы он зафиксировался с небольшим щелчком. Если вы видите красный индикатор, как показано на рисунке, он не зафиксирован полностью.

ВНИМАНИЕ: Обязательно устанавливайте блок аккумулятора до конца, чтобы красный индикатор не был виден. В противном случае блок аккумулятора может выпасть из инструмента и нанести травму вам или другим людям.

ВНИМАНИЕ: Не прилагайте чрезмерных усилий при установке аккумуляторного блока. Если блок не двигается свободно, значит он вставлен неправильно.

Индикация оставшегося заряда аккумулятора

Только для блоков аккумулятора с индикатором

► **Рис.2:** 1. Индикаторы 2. Кнопка проверки

Нажмите кнопку проверки на аккумуляторном блоке для проверки заряда. Индикаторы загорятся на несколько секунд.

Индикаторы			Уровень заряда
Горит	Выкл.	Мигает	
■ ■ ■ ■			от 75 до 100%
■ ■ ■ □			от 50 до 75%
■ ■ □ □			от 25 до 50%
■ □ □ □			от 0 до 25%
▣ □ □ □			Зарядите аккумуляторную батарею.
■ ■ □ □			Возможно, аккумуляторная батарея неисправна.
□ □ ■ ■			

ПРИМЕЧАНИЕ: В зависимости от условий эксплуатации и температуры окружающего воздуха индикация может незначительно отличаться от фактического значения.

ПРИМЕЧАНИЕ: Первая (дальняя левая) индикаторная лампа будет мигать во время работы защитной системы аккумулятора.

Система защиты инструмента/аккумулятора

ПРИМЕЧАНИЕ: В зависимости от условий эксплуатации инструмент может автоматически отключаться без включения каких-либо индикаторов накопившихся в нем веток или мусора. В этом случае следует отключить питание инструмента и извлечь блок аккумулятора, после чего удалить накопившиеся ветки или мусор, например, плоскогубцами. После удаления веток или мусора установите блок аккумулятора на место и включите инструмент.

На инструменте предусмотрена система защиты инструмента/аккумулятора. Она автоматически отключает питание двигателя для продления срока службы инструмента и аккумулятора. Инструмент автоматически остановится во время работы в следующих случаях:

Защита от перегрузки

Если из-за определенного режима эксплуатации инструмента или аккумулятора возникает слишком большой ток, осуществляется автоматическая остановка инструмента. В этом случае выключите инструмент и прекратите работу, из-за которой произошла перегрузка инструмента. Затем включите инструмент для перезапуска.

Защита от перегрева

При перегреве инструмента или аккумулятора инструмент останавливается автоматически. В этом случае дайте инструменту и аккумулятору остыть перед повторным включением.

Защита от переразрядки

При истощении емкости аккумулятора инструмент автоматически останавливается. В этом случае извлеките аккумулятор из инструмента и зарядите его.

Защита от других неполадок

Система защиты также обеспечивает защиту от других неполадок, способных повредить инструмент, и обеспечивает автоматическую остановку инструмента. В случае временной остановки или прекращения работы инструмента выполните все перечисленные ниже действия для устранения причины остановки.

1. Выключите и снова включите инструмент для его перезапуска.
2. Зарядите аккумулятор(-ы) или замените его (их) на заряженный(-е).
3. Дайте устройству и аккумулятору(-ам) остыть.

Если после возврата системы защиты в исходное состояние ситуация не изменится, обратитесь в сервисный центр Makita.

ПРИМЕЧАНИЕ: Если инструмент останавливается по причине, не описанной выше, см. раздел, касающийся поиска и устранения неисправностей.

Действие выключателя

▲ ОСТОРОЖНО: В целях безопасности данный инструмент оснащен рычагом переключателя, который предотвращает случайное включение инструмента. **ЗАПРЕЩЕНО** использовать инструмент после оттягивания триггерного переключателя без нажатия на рычаг переключателя. **ПРЕКРАТИТЕ** использование инструмента и передайте его в авторизованный сервисный центр для надлежащего ремонта.

▲ ОСТОРОЖНО: НИ В КОЕМ СЛУЧАЕ НЕ фиксируйте рычаг переключателя липкой лентой и не вносите в его конструкцию каких-либо изменений, препятствующих реализации его целевого назначения и функции.

▲ ОСТОРОЖНО: Перед установкой блока аккумулятора в инструмент обязательно убедитесь в том, что триггерный переключатель и рычажный выключатель нормально работают и возвращаются в положение “OFF” (ВЫКЛ.) после отпущения. Эксплуатация инструмента с неисправным переключателем может привести к потере контроля над инструментом и получению тяжелой травмы.

▲ ВНИМАНИЕ: Никогда не кладите палец на переключатель во время переноски. Инструмент может включиться непреднамеренно и причинить травму.

Для запуска инструмента возьмите его за переднюю рукоятку, нажимая на рычаг переключателя и оттягивая триггерный переключатель. Для остановки инструмента оттяните триггерный переключатель, держа инструмент за переднюю рукоятку и нажимая на рычаг переключателя.

- **Рис.3:** 1. Передняя рукоятка 2. Рычаг переключателя 3. Триггерный переключатель

Индикаторная лампа

- **Рис.4:** 1. Индикаторная лампа

Индикаторная лампа начинает мигать или гореть непрерывно при низком уровне заряда аккумулятора или перегрузке инструмента. В приведенной ниже таблице содержится информация о возможных состояниях и действиях, которые следует предпринять.

Индикаторная лампа	Состояние	Необходимое действие
Лампа мигает красным цветом.	Низкий уровень заряда аккумулятора.	Подзарядите аккумулятор или замените его на заряженный.
Лампа горит красным цветом.	Аккумулятор полностью разряжен.	Подзарядите аккумулятор или замените его на заряженный.
	Инструмент остановился из-за перегрузки.	Выключите инструмент и устраните причину перегрузки.
	Инструмент остановился из-за перегрева.	Выключите инструмент, затем охладите инструмент и аккумулятор.

ПРИМЕЧАНИЕ: Время начала мигания или непрерывного горения индикаторной лампы зависит от температуры в месте выполнения работ и состояния блока аккумулятора.

Электронная функция

Для простоты эксплуатации инструмент оснащен электронными функциями.

- Постоянный контроль скорости
Функция контроля скорости обеспечивает неизменное число оборотов независимо от нагрузки.
- Электрический тормоз
Этот инструмент оснащен электрическим тормозом. Если инструмент регулярно не обеспечивает быстрого останова срезающих лезвий после отпущения триггерного переключателя, отправьте инструмент в официальный сервисный центр Makita для обслуживания.
- Функция предотвращения случайного запуска
Инструмент не запустится даже во время установки блока аккумулятора при нажатом триггерном переключателе. Для включения инструмента сначала отпустите, а затем снова нажмите триггерный переключатель.

СБОРКА

⚠ВНИМАНИЕ: Перед проведением каких-либо работ с инструментом обязательно убедитесь, что инструмент отключен, а блок аккумулятора снят.

⚠ВНИМАНИЕ: При замене лезвий секатора обязательно надевайте перчатки, чтобы не касаться лезвий руками.

ПРИМЕЧАНИЕ: При замене режущих ножей не удаляйте смазочный материал с редуктора или кривошипа.

Установка или снятие лезвий секатора

⚠ВНИМАНИЕ: Установите чехол лезвия перед тем, как снимать или устанавливать режущие ножи.

На инструмент можно установить срезающие лезвия длиной 500 мм или 600 мм.

1. Установите чехол для лезвий на лезвия секатора.
▶ **Рис.5:** 1. Чехол для лезвий
2. Переверните инструмент, выверните 6 болтов, а затем снимите чехол и пластину.
▶ **Рис.6:** 1. Болт 2. Кожух 3. Пластина

ПРИМЕЧАНИЕ: Пластину можно оставить на крышке.

3. Поверните кривошип с помощью плоской отвертки таким образом, чтобы ось двух отверстий была перпендикулярна лезвиям секатора.
▶ **Рис.7:** 1. Кривошип 2. Отверстие
4. Открутите 2 болта, выньте войлочную подкладку и муфты, после чего снимите срезающие лезвия.
▶ **Рис.8:** 1. Войлочная подкладка 2. Болт 3. Муфта 4. Лезвия секатора
5. Снимите чехол для лезвий и наденьте его на новые лезвия секатора.
▶ **Рис.9:** 1. Чехол для лезвий
6. Совместите задние кромки лезвий секатора, как показано на рисунке.
▶ **Рис.10:** 1. Задняя кромка
7. Слегка сдвиньте лезвия секатора, как показано на рисунке, а затем прикрепите муфты к лезвиям секатора.
▶ **Рис.11:** 1. Муфта
8. Слегка сдвиньте чехол для лезвий в направлении кончика лезвий секатора, а затем прикрепите лезвия секатора к инструменту.
▶ **Рис.12:** 1. Лезвия секатора

ПРИМЕЧАНИЕ: Нанесите небольшое количество смазки на внутреннюю поверхность отверстия лезвий секатора.

ПРИМЕЧАНИЕ: Не потеряйте муфты.

9. Сдвиньте лезвия секатора и муфты таким образом, чтобы отверстия муфт совместились с отверстиями инструмента.

- ▶ **Рис.13:** 1. Отверстие в инструменте
2. Отверстие в муфте

10. Затяните болты для фиксации лезвий секатора.

- ▶ **Рис.14:** 1. Болт

11. Прикрепите войлочную подкладку к лезвиям секатора.

- ▶ **Рис.15:** 1. Войлочная подкладка

12. Прикрепите пластину.

- ▶ **Рис.16:** 1. Пластина

13. Прикрепите кожух и затяните 6 болтов.

- ▶ **Рис.17:** 1. Болт 2. Кожух

ПРИМЕЧАНИЕ: Если лезвия секатора не могут двигаться плавно, это означает, что они не сцеплены с кривошипом надлежащим образом. В этом случае установите лезвия секатора заново.

ПРИМЕЧАНИЕ: В случае износа каких-либо деталей инструмента, кроме лезвий секатора, например кривошипа, обратитесь в авторизованный сервисный центр Makita для их замены или ремонта.

Установка или снятие сборника обрезков

Дополнительные принадлежности

⚠ВНИМАНИЕ: При установке или снятии сборника обрезков всегда надевайте перчатки, чтобы не касаться лезвий руками.

ПРИМЕЧАНИЕ: Кожух лезвия нельзя установить, если на инструмент установлен сборник обрезков. Перед переноской инструмента или его длительным хранением снимите сборник обрезков и установите кожух для защиты лезвия.

ПРИМЕЧАНИЕ: Не забудьте снять кожух лезвия перед установкой сборника отрезков.

Срезанные листья попадают в сборник обрезков, что облегчает уборку после проведения работ. Его можно установить с любой из двух сторон инструмента.

1. Совместите отверстия на сборнике обрезков с винтами на режущих ножах.

- ▶ **Рис.18:** 1. Винт

2. Закрепите захваты сборника обрезков в канавке на режущих ножах.

- ▶ **Рис.19:** 1. Захват 2. Канавка

3. Нажмите на рычаги на сборнике обрезков, а затем закрепите захваты с другой стороны в канавке на режущих ножах.

- ▶ **Рис.20:** 1. Рычаг

Для снятия сборника обрезков нажмите на рычаги, чтобы освободить захваты.

- ▶ **Рис.21:** 1. Рычаг

ПРИМЕЧАНИЕ: Не пытайтесь снять сборник обрезков, прилагая чрезмерное усилие, пока фиксаторы удерживают срезающие лезвия.

ЭКСПЛУАТАЦИЯ

⚠ ОСТОРОЖНО: Держите руки на расстоянии от лезвий секатора.

⚠ ВНИМАНИЕ: По возможности не используйте инструмент в жаркую погоду. При работе с инструментом учитывайте свое физическое состояние.

⚠ ВНИМАНИЕ: Соблюдайте осторожность, чтобы во время работы случайно не задеть металлическую ограду или другие твердые предметы. Лезвия секатора могут сломаться или нанести серьезную травму.

⚠ ВНИМАНИЕ: Соблюдайте осторожность, чтобы не допустить соприкосновения режущих ножей с землей. Инструмент может причинить серьезную травму из-за отдачи.

⚠ ВНИМАНИЕ: Не пытайтесь дотянуться инструментом до отдаленных веток, особенно с лестницы. Это очень опасно. Во время работы не стойте на шатких или неустойчивых предметах.

ПРИМЕЧАНИЕ: Не пытайтесь с помощью этого инструмента резать ветки толще 10 мм в диаметре. Перед использованием данного инструмента с помощью веткорезов обрежьте ветки до высоты на 10 см ниже, чем высота срезания.

► Рис.22: (1) Высота срезания (2) 10 см

ПРИМЕЧАНИЕ: Не срезайте сухие деревья или аналогичные твердые объекты. Невыполнение этого требования может привести к повреждению инструмента.

ПРИМЕЧАНИЕ: Не подрезайте траву или сорняки лезвиями секатора. Лезвия секатора могут запутаться в траве или сорняках.

Держа инструмент двумя руками, возьмитесь за переднюю рукоятку, нажимая на рычаг переключения, и оттяните триггерный переключатель, а затем подайте инструмент вперед.

► Рис.23

Для работы в обычном режиме наклоните лезвия секатора в направлении резания, плавно и медленно перемещайте инструмент в направлении резания со скоростью один метр за 3 – 4 секунды.

► Рис.24

Чтобы ровно обрезать верхнюю часть изгороди, протяните веревку на нужной высоте и выполняйте обрезку по ней.

► Рис.25

Если к лезвиям секатора присоединен сборник обрезков, то срезанные листья будут скапливаться в нем, что, в свою очередь, облегчит уборку после проведения работ.

► Рис.26

Чтобы ровно обрезать боковую часть живой изгороди, рекомендуется резать снизу вверх.

► Рис.27

Если вы хотите при стрижке придать объекту (например, кусту самшита, рододендрону и т. п.) шарообразную форму, выполняйте стрижку снизу вверх, начиная с основания. Так вам будет легче добиться желаемого результата.

► Рис.28

ОБСЛУЖИВАНИЕ

⚠ ВНИМАНИЕ: Перед проведением проверки или работ по техобслуживанию всегда проверяйте, что инструмент выключен, а блок аккумулятора снят.

Для обеспечения БЕЗОПАСНОСТИ и НАДЕЖНОСТИ оборудования ремонт, любое другое техобслуживание или регулировку необходимо производить в уполномоченных сервис-центрах Makita или сервис-центрах предприятия с использованием только сменных частей производства Makita.

Очистка инструмента

При выполнении очистки инструмента требуется вытирать пыль сухой либо смоченной мыльной водой и выжатой тканью.

ПРИМЕЧАНИЕ: Запрещается использовать бензин, растворители, спирт и другие подобные жидкости. Это может привести к обесцвечиванию, деформации и трещинам.

Техническое обслуживание лезвия секатора

Перед началом или после каждого часа эксплуатации наносите смазочный материал низкой вязкости (машинное масло или смазочное масло в виде спрея) на лезвия секатора.

► Рис.29

После завершения работ необходимо проволочной щеткой очистить обе стороны лезвий секатора от пыли, протереть их тканью, а затем нанести смазочный материал низкой вязкости (машинное масло или смазочное масло в виде спрея) на лезвия секатора.

► Рис.30

ПРИМЕЧАНИЕ: Не промывайте лезвия секатора водой. Это может привести к повреждению инструмента или появлению на нем ржавчины.

ПРИМЕЧАНИЕ: Грязь и коррозия приводят к чрезмерному трению лезвия и уменьшают срок работы от одного заряда аккумулятора.

Хранение

Отверстие в нижней части инструмента служит для подвешивания на гвоздь или шуруп в стене. Наденьте чехол для лезвия на режущие ножи, чтобы они не подвергались внешним воздействиям. Храните инструмент в недоступном для детей месте. Не допускайте попадания на инструмент воды или дождя.

► **Рис.31:** 1. Отверстие

Заточка лезвий секатора

ПРИМЕЧАНИЕ: Если лезвия секатора были сильно деформированы при заточке, замените их новыми.

1. Установите блок аккумулятора на инструмент.
2. Включите и запустите инструмент, чтобы верхнее и нижнее лезвия располагались вразбежку.

► **Рис.32**

3. Отключите инструмент и извлеките из него блок аккумулятора.
4. Держа напильник под углом 35° и двигая им в двух направлениях, заточите верхнее лезвие.

► **Рис.33:** (1) Напильник (2) 35°

ВНИМАНИЕ: Перед заточкой лезвий убедитесь в том, что инструмент выключен и блок аккумулятора извлечен из инструмента.

5. Переверните инструмент и удалите заусенцы с лезвий секатора шлифовальным камнем.

► **Рис.34:** 1. Шлифовальный камень

6. Держа напильник под углом 35° и двигая им в двух направлениях, заточите нижнее лезвие.

7. Верните инструмент в нормальное положение и удалите заусенцы с лезвий секатора шлифовальным камнем.

Смазывание консистентной смазкой

Интервал смазывания: каждые 50 часов работы

1. Удалите болт из отверстия для смазывания.

► **Рис.35:** 1. Болт

2. Снимите крышку с тюбика со смазкой. Совместите выходной конец тюбика со смазкой с отверстием в кожухе, а затем поверните тюбик, чтобы ввернуть его выходной конец в отверстие.

► **Рис.36:** 1. Резервуар для смазки 2. Отверстие

3. Нанесите смазку на инструмент (приблизительно 3 г).
4. Отсоедините резервуар для смазки.
5. Затяните болт.

ПОИСК И УСТРАНЕНИЕ НЕИСПРАВНОСТЕЙ

Прежде чем обращаться по поводу ремонта, проведите осмотр самостоятельно. Если обнаружена неисправность, не указанная в руководстве, не пытайтесь разобрать инструмент. Обратитесь в один из авторизованных сервисных центров Makita, в которых для ремонта всегда используются оригинальные детали Makita.

Состояние неисправности	Возможная причина (неисправности)	Способ устранения
Не работает электромотор.	Не вставлен блок аккумулятора.	Установите блок аккумулятора.
	Неисправен аккумулятор (под напряжением)	Зарядите аккумулятор. Если перезарядка не помогает, замените аккумулятор.
	Привод работает неправильно.	Обратитесь в местный авторизованный центр для ремонта.
После непродолжительного использования двигатель останавливается.	Низкий уровень заряда аккумулятора.	Зарядите аккумулятор. Если перезарядка не помогает, замените аккумулятор.
	Перегрев.	Прекратите работу и дайте инструменту остыть.
Инструмент не достигает максимальной частоты вращения.	Неправильно установлен аккумулятор.	Вставьте блок аккумулятора, как описано в этом руководстве.
	Заряд аккумулятора падает.	Зарядите аккумулятор. Если перезарядка не помогает, замените аккумулятор.
	Привод работает неправильно.	Обратитесь в местный авторизованный центр для ремонта.
Срезающие лезвия не двигаются: ⇒ немедленно выключите машину!	Посторонние предметы застряли между срезающими лезвиями.	Выключите инструмент и извлеките блок аккумулятора, а затем удалите посторонние предметы подходящими инструментами, например плоскогубцами.
	Привод работает неправильно.	Обратитесь в местный авторизованный центр для ремонта.
Сильная вибрация: ⇒ немедленно выключите машину!	Срезающие лезвия сломаны, согнуты или изношены.	Замените срезающие лезвия.
	Привод работает неправильно.	Обратитесь в местный авторизованный центр для ремонта.
Срезающие лезвия и двигатель не останавливаются. ⇒ Немедленно извлеките аккумулятор!	Неисправность электрической части.	Извлеките аккумулятор и обратитесь в местный авторизованный сервисный центр для ремонта.

ДОПОЛНИТЕЛЬНЫЕ ПРИНАДЛЕЖНОСТИ

⚠ ВНИМАНИЕ: Данные принадлежности или приспособления рекомендуются для использования с инструментом Makita, указанным в настоящем руководстве. Использование других принадлежностей или приспособлений может привести к получению травмы. Используйте принадлежность или приспособление только по указанному назначению.

Если вам необходимо содействие в получении дополнительной информации по этим принадлежностям, свяжитесь с вашим сервис-центром Makita.

- Лезвие в сборе
- Чехол для лезвия
- Сборник обрезков
- Резервуар для смазки
- Оригинальный аккумулятор и зарядное устройство Makita

ПРИМЕЧАНИЕ: Некоторые элементы списка могут входить в комплект инструмента в качестве стандартных приспособлений. Они могут отличаться в зависимости от страны.

Makita Europe N.V. Jan-Baptist Vinkstraat 2,
3070 Kortenberg, Belgium

Makita Corporation 3-11-8, Sumiyoshi-cho,
Anjo, Aichi 446-8502 Japan

www.makita.com

885987-980
EN, SV, NO, FI, DA,
LV, LT, ET, RU
20220624