
RESERVDLSKATALOG

V1

P-Lindberg



LH300ATV-D EFI T3a & T3b

Side 4-6	Fig 1	Innehållsförteckning	Innehållsförteckning		
Side 8-10	Fig 2	Styret/handlebar	Cylinder/cylinder	Fig 25	Side 66-67
Side 12-14	Fig 3	Bensintank/fuel tank	Vev/crankshaft comp	Fig 26	Side 68-69
Side 16-18	Fig 4	Bakskärm/rear fender	Ventiler/valve	Fig 27	Side 70-71
Side 20-21	Fig 5	Framskärm del/Front body, frame	Kamaxel, kedja/camshaft,chain	Fig 28	Side 72-73
Side 22-23	Fig 6	Bärarm, fjäderben/A arm	Vattenpump/waterpump	Fig 29	Side 74-75
Side 24-25	Fig 7	Bakaxel/swingarm assy	Kylsystem/Radiator	Fig 30	Side 76-78
Side 26-27	Fig 8	Framhjul, nav/Wheel front	Oljepump/oilpump	Fig 31	Side 80-81
Side 28-29	Fig 9	Stötdämpare, bak/shock absorber	Luftfilter/aircleaner	Fig 32	Side 82-83
Side 30-31	Fig 10	Bakhjul/wheel rear	Insugning gasspjäll/fuel injection	Fig 33	Side 84-85
Side 32-35	Fig 11	Differentiale bak/rear diff	Avgasrör/exhaust	Fig 34	Side 86-87
Side 36-37	Fig 12	Växellåda/transmission 2WD	Vevhus/crankcase	Fig 35	Side 88-89
Side 38-41	Fig 13	Speedometer sensor/speedcensor	Sidoskydd H&V/Covet L&R	Fig 36	Side 90-91
Side 42-43	Fig 14	Växellåda/transmission 4WD	Startdrev/starter	Fig 37	Side 92-93
Side 44-45	Fig 15	Upphängning/supportbracket	Koppling/clutch "ny modell"	Fig 38	Side 94-96
Side 46-47	Fig 16	Växel/shiftrod	high-power koppling/High-power cl	Fig 39	Side 98-99
Side 48-49	Fig 17	Stötdämpare fram/shock absorber	Generator, svänghjul/generator	Fig 40	Side 100-101
Side 50-51	Fig 18	Styraxel/steering column	Startmotor/starting motor	Fig 41	Side 102-103
Side 52-54	Fig 19	Elsystem/electrical system	Motor/Engine	Fig 42	Side 104-105
Side 55	Fig 20	Bromssystem/brakesystem	Differential främre/front gearbox 4\	Fig 43	Side 106-108
Side 56-57	Fig 21	Reparationsset/service kit brake	Drivaxel fram/front drive aksel 4WD	Fig 44	Side 110-111
Side 58-59	Fig 22	Handbroms/parking system	Bak diff/FOC body 4WD	Fig 45	Side 112-113
Side 60-62	Fig 23	Bromspedal/brakepedal			
Side 63	Fig 24	Kofångare, bagage/bumper, rack			
		Tillbehör/options			

Fig 1. Styret

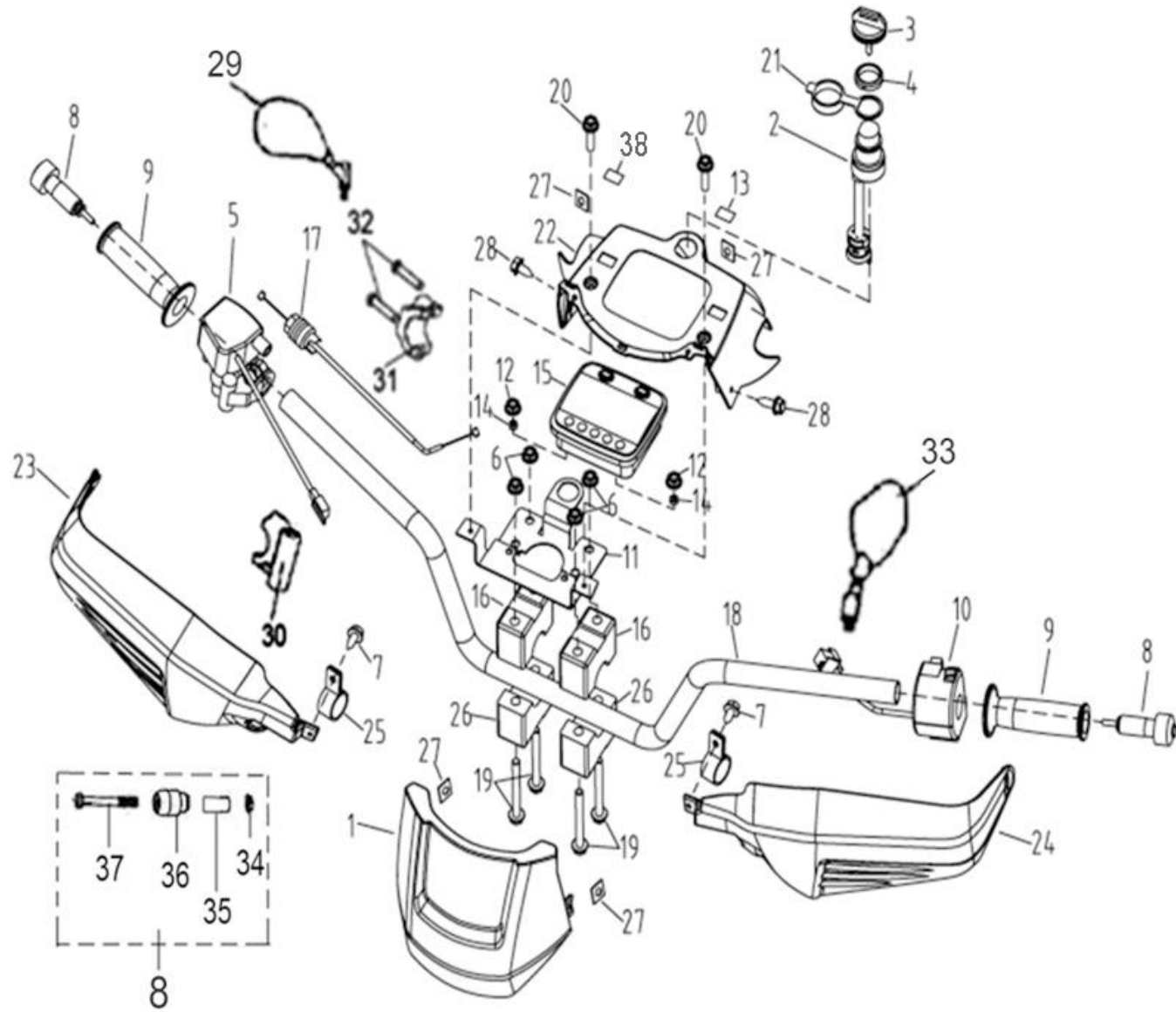
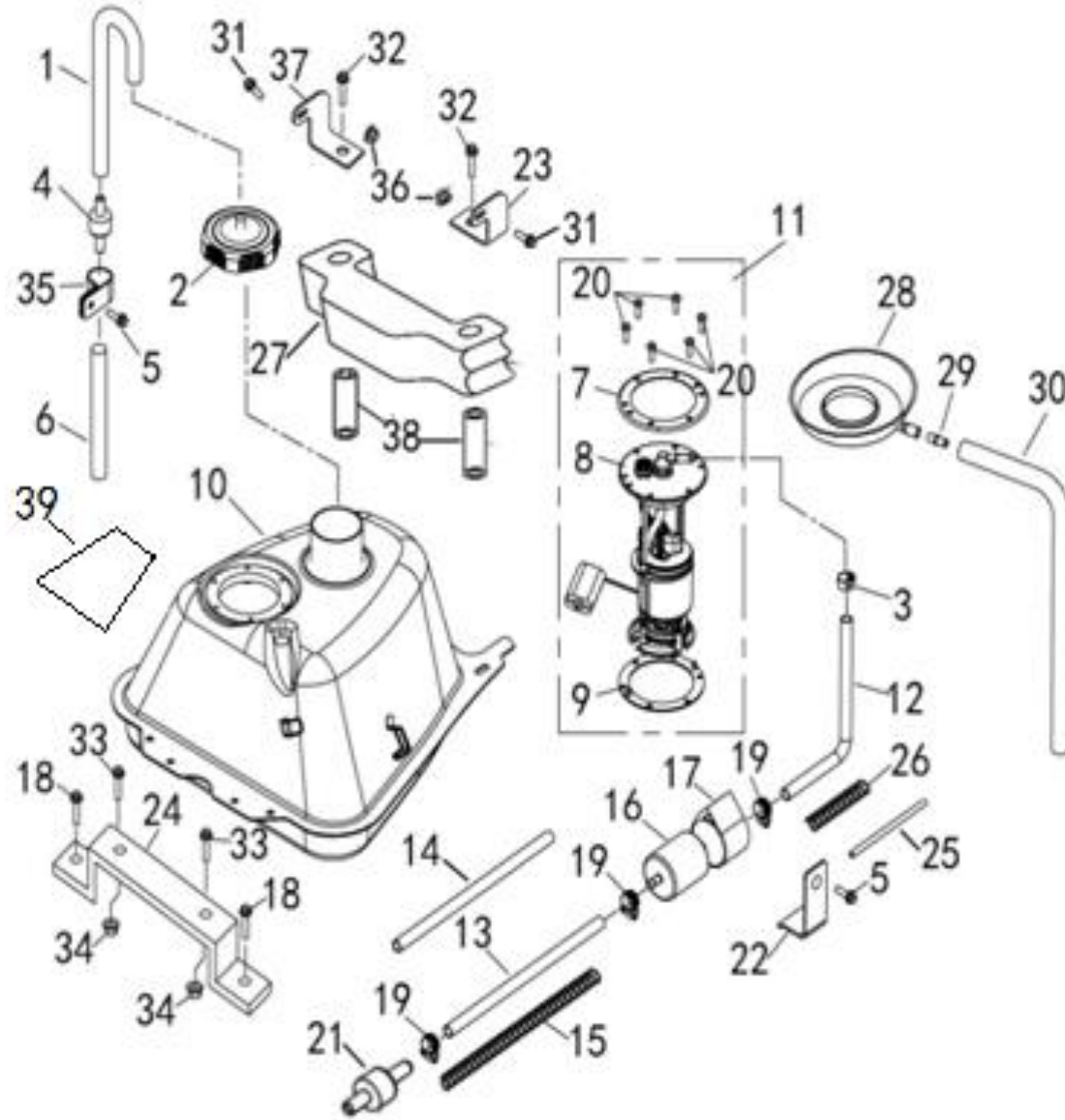


Fig No	PL-nummer	Varunamn	Art name	Oe-ref	Antal/Qty
1	9045059	Speedometerhus	FRONT SPEEDOMETER COVER	27415	1
2	9050381	Tändningskontakt	IGNITION SWITCH WITH KEY (USED FOR WATERPROOF)	27601	1
3	9045060	Tändningslås "vattentät" inkl nyckel	KEY BLANK	27457	1
4	N.A		THREADED NUT	25003	1
5	9030038	Gashandtag	THROTTLE CONTROL (WITH 2WD/4WD SWITCH)(WITHIN DIFF-LOCK)	20109A	1
6	9050207	Mutter M8	NUT M8	10079	4
7	N.A		SCREW ST4.8X12	11053	2
8	9057966	Handskydd styre	NEW GUARD,HANDLEBAR END ASSY. (MATCH WITH NEW HANDLEBAR)	72037	2
9	9029704	Handtag	GRIP	30515	2
10	9050382	Kombikontakt	SWITCH ASSY	27602	1
11	9037382	Speedometer beslag	SPEEDOMETER BRACKET	25008	1
12	9033865	Mutter M6	NUT M6	10004	2
13	9057112	Speedometer skydd	SPEEDOMETER COVER CAP (FOR	25010	1
14	N.A		RUBBER WASHER	70447	2
15	9061408	Speedometer Lcd	LCD SPEEDOMETER	27550	1
16	9057113	Fäste till styre	HANDLEBAR CLAMP	20112a	2
17	9061409	Gaskabel	THROTTLE CABLE	27551	1
18	N.A		HANDLEBAR	27385E	1
19	N.A		BOLT M8X72	10531	4
20	N.A		SCREW M5X16	70843A	2
21	9039406	skydd tändningskontakt	IGNITION SWITCH COVER	27257	1
22	9045061	Speedometerhus bakdel	REAR SPEEDOMETER COVER	27416	1
23	9045062	Handskydd höger	HANDLEBAR COVER RIGHT	27417	1
24	9045063	Handskydd vänster	HANDLEBAR COVER LEFT	27418	1
25	9045064	fäste till handskydd	HANDLE COVER INSTALLATION BELT	27419	2
26	9057113	Fäste för styre	HANDLEBAR DOWN CLAMP	20112a	2
27	9049167	Clips mutter	CLAMP 4.8	22346	4
28	N.A		SCREW ST4.8X12	10520	4
29	9029741	Sidospegel höger	REAR VIEW MIRROR RIGHT	36149	

30	9029737	Hållare sidospegel	UP HOLDER,REAR VIEW MIRROR	25525	1
31	9045066	Spegelbeslag	DOWN HOLDER,REAR VIEW MIRROR	25526	1
32	9050221	Bult M6X20	BOLT M6X20	10008	2
33	9029740	Sidospegel vänster	REAR VIEW MIRROR LEFT	36148	1
34	9050206	Mutter M6	NUT M6	10913	2
35	N.A		TENSIONING BLOCK	72035	2
36	N.A		BALANCE WEIGHT	72036	2
37	N.A		SCREW M6X70	10940	2
38	N.A		EMERGENT SWITCH (FOR T3)	27600	1

Fig 2

Bensintank/Fuel tank iron



THERE ARE TOW FULL FITTINGS ON THE FUEL TANKS AND THE SHORTER ONE IS KEPT IN RESERVE.

Fig No	PL-nummer	Varunamn	Art name	Oe-ref	Antal/Qty
1	9058040	Utluftnings slang	BREATHER PIPE (φ5Xφ9X450)	35501	1
2	9030701	Tanklock	FUEL CAP	70725	1
3	N.A		SINGLE EAR CLAMP (φ4.5)	84428	1
4	9030708	Ventil	VALVE,TANK, FUEL	25037	1
5	N.A		BOLT M6X12	11219	2
6	N.A		TUBE	70734	1
7	N.A		PLATE	72251	1
8	N.A		PUMP BODY	27845	1
9	N.A		RUBBER WASHER	36440	1
10	N.A		FUEL TANK	27832	1
11	9060622	Bensinpump modul	VALVE,TANK, FUEL	27833	1
12	N.A		FUEL HOSE 1	27834	1
13	9049422	Bensinslang 2	FUEL HOSE 2	71418	1
14	N.A		FUEL LINE ADIABATIC PELLICLE	36073	1
15	N.A		FUEL LINE SPRING	36077	1
16	9042723	Bensinfilter	FUEL FILTER	70842	1
17	N.A		FUEL FILTER INSTALLATION	70845	1
18	9050220	Bult M6X16	BOLT M6X16	11097	1
19	9021812	Spännband	HOSE CLAMPS 8/14	71658	3
20	9049181	Skruv M5X16	SCREW M5X16	10201	6
21	N.A		Quick Fitting Assy 7.89	73146	1
22	N.A		PLATE, FUEL FILTER	36142	1
23	N.A		BRACKET,L	27820	1
24	N.A		MOUNTING BRACKET,FUEL TANK	27553	1
25	N.A		FUEL LINE ADIABATIC PELLICLE	27834	1
26	N.A		FUEL LINE SPRING	27836	1
27	9030902	Gummi underlägg bensintank	MOUNTING BRACKET	20209	1
28	9058038	Spillfångare	The OIL SPILL	36078	1
29	9058039	Packning	JOINT	60210	1
30	N.A		TUBE,FUEL CAP BREATHER	28095	1
31	9050220	Bult M6X16	BOLT M6X16	11097	2
32	9050225	Bult M6X60	BOLT M6X60	11362	2

33	9050230	Bult M8X16	BOLT M8X16	10168	2
34	9050207	Mutter M8	NUT M8	10079	2
35	9035034	Spännband	DUMP VALVE FIXING PLATE	880.021	1
36	9050206	Mutter M6	ONUT M6	10004	2
37	N.A		BRACKET,R	27821	1
38	N.A		FUEL TANK BUFFER SLEEVE	20210	2
39	N.A		FUEL TANK ADIABATIC PELLICLE	27837	1

Fig 3 Bakskräm/rear fenders

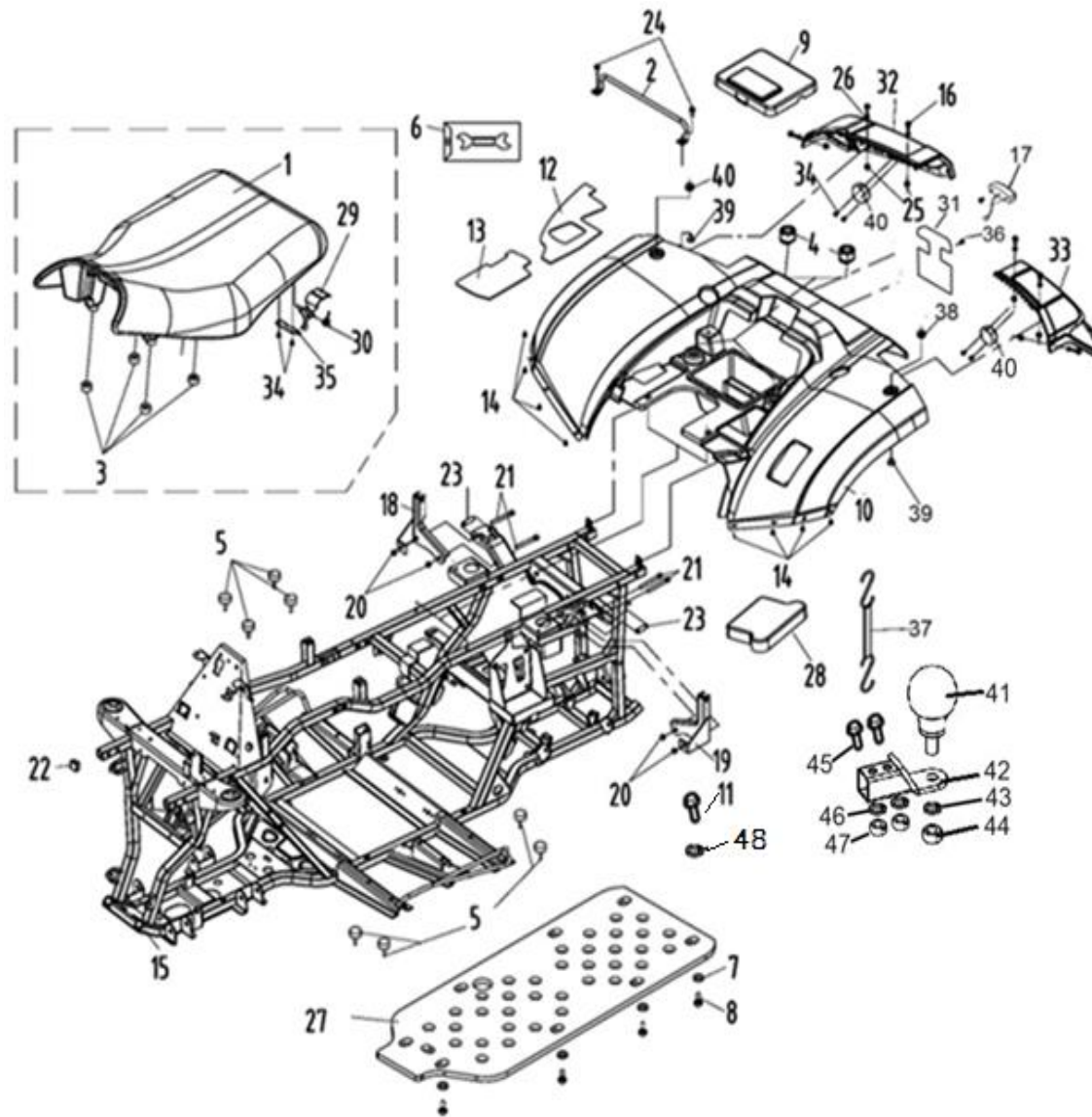


Fig No	PL-nummer	Varunamn	Art name	Oe-ref	Antal/Qty
1	9035035	Säte svart	Seat black only		1
1	9058465	Säte svart med röd linjer	Seat red stripe		1
1	9058466	Säte svart med vita linjer	SEAT White stripe		1
1	N.A		Seat	25326	1
2	N.A		LATCH ASSEMBLY	35836	1
3	9030711	Gummifäste	RUBBER, SEAT SETTING 1	25042	6
4	9039611	Gummifäste	RUBBER , SEAT SETTING 2	70445	2
5	9039611	Gummifäste	RUBBER PAD	70445	8
6	N.A		TOOL	25044	1
7	N.A		WASHER 6	20331	8
8	N.A		BOLT M6X18	10191	8
9	9030713	Lock till verktygslåda	TOOL BOX CAP	25045a	1
10	N.A		REAR FENDER	35756	1
11	9029912	Bult M8X20	BOLT M8X20	10035	2
12	9030925	Skyddsfolie	REAR MUD ADIABATIC PELLICLE 1	25048	1
13	9030927	Skyddsfolie	REAR MUD ADIABATIC PELLICLE 2	25049	1
14	9039399	Skruv 6X16	SCREW M6X16	10420	8
15	N.A		FRAME ASSY.	25327	1
16	N.A		SCREW M6X20	11099	6
17	9058058	Nummerplåtsljus	LENS,LICENSE LIGHT	83459	1
18	9057126	Fotfäste - höger	TRESTLE RIGHT	25054	1
19	9057127	Fotfäste - vänster	TRESTLE LEFT	25055	1
20	9050236	Bult M8X70	BOLT M8X70	25056	2
21	9050207	Mutter M8	NUT 8	10776	4
22	N.A		RUBBER COVER	70287	4
23	N.A		SPACER	35838	4
24	9034420	Bult M6X12	BOLT M6X12	10140	2
25	9050206	Mutter M6	NUT	10006	2
26	9050201	Bricka	WASHER 6	10004	16
27	N.A		PLASTIC PLANT	25336	1
28	9057129	Batterilock	BATTERY COVER	35078	1

29	9049268	Krok	HOOK BRACKET, SEAT LOCK	70788	1
30	9049217	Fjäder för krok	SPRING	70802	1
31	N.A		BRACKET, LENS,LICENSE LIGHT	27606	1
32	9039444	Hölje för lykta - höger	TAILLIGHT COVER, R	27383	1
33	9039443	Hölje för lykta - vänster	TAILLIGHT COVER, L	27382	1
34	N.A		SCREW ST4.2X13	10178	8
35	N.A		BAFFLE.SEAT	70803	1
36	9039399	Skruv 6X16	SCREW M6X16	10420	2
37	9030030	Batteristropp	TIE	22018	1
38	N.A		COVER BUFFER	70449	2
39	N.A		SPACER, COVER BUFFER	70543	2
40	N.A		REAR TURNLIGHT COVER	35840	2
41	N.A		PULL THE BALL (E13 55R-014154)	25294	1
42	9057941	Drag	THE TRACTION BALL WELDING	25295	1
43	N.A		WASHER 22	10816	1
44	N.A		NUT W7/8"-14	11218	1
45	N.A		BOLT 16X95	10947	2
46	N.A		WASHER 16	11060	2
47	9050210	Mutter M16	NUT M16	10874	2
48	9050207	Mutter M8	NUT 8	10099	1

Fig 4

Framskärm/del/ram/front body&frame

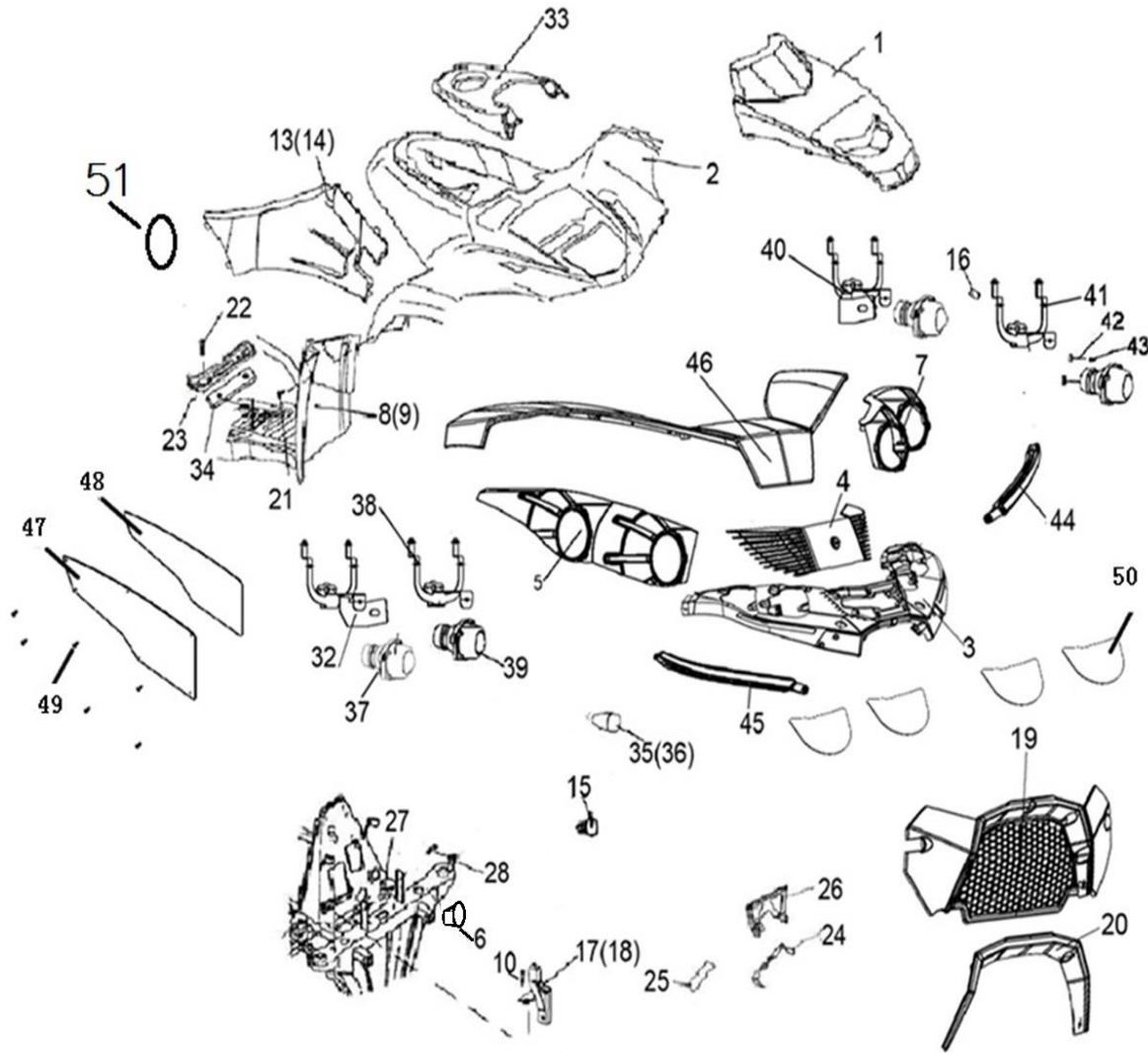


Fig No	PL-nummer	Varunamn	Art name	Oe-ref	Antal/Qty
1	9030719	Framskärm	FRONT COVER	25064	1
2	N.A		FRONT BODY	25281	1
2	9045041	Lyktpanel - grön	Front Body Cover	27420G	1
	9045189	Lyktpanel - röd	Front Body Cover	27420R	1
3	9057132	Lyktpanel - Svart	FRONT BODY COVER	27420	1
4	9045068	Frontgrill övre	FRONT COVER	27421	1
5	9045042	Lygthus Höger frontlykta	PROTECTOR.R.HEADLIGHT	27422	1
6	9030675	Gummipad ram	RUBBER PAD	20316	2
7	9045043	Lygthus Vänster frontlykta	PROTECTOR.L.HEADLIGHT	27423	1
8	9030724	Fotstöd - höger	FOOTREST RIGHT	25071	1
9	9030725	Fotstöd - vänster	FOOTREST LEFT	25072	1
10	9034420	Bult M6X12	BOLT M6X12	10140	2
11	N.A		FRONT BODY BRACKET R	27350	1
12	N.A		FRONT BODY BRACKET L	27390	1
13	9030726	Motorskydd - höger	SIDE COVER R	25076	1
14	9030727	Motorskydd - vänster	SIDE COVER L	25077	1
15	N.A		BULB,HEADLIGHT 35W/35W	103.02102	4
16	9039436	Förbindelse	BALL JOINT, HEADLIGHT	27371	4
17	N.A		TRESTLE R	27424	1
18	N.A		TRESTLE L	27425	1
19	9045046	Frontgrill	PLATE, FRONT RACK	27426	1
20	9057139	Mellandel front	INSERTS, FRONT RACK	27427	1
21	9039399	Skruv M6X16	SCREW M6X16	10420	8
22	9057953	Skruv M6X20	SCREW M6X20	10127	4
23	N.A		STEP	70336	2
24	N.A		DOWN BRACKET RADIATOR	20413	1
25	9030995	Gummiunderlägg bensintank	SPACER RUBBER	20414	1
26	N.A		UP BRACKET RADIATOR	27793	1
27	9050206	Mutter M6	NUT M6	10004	2
28	N.A		BOLT M6X12	10140	2
31	9041089	Lampa 12V 10W orange	10W (ONLY FOR EUROPE)	32045	2
32	9057142	Beslag framlykta - höger	HIGH BEAM BRACKET, R	27428	1

33	N.A		COVER,FUEL TANK TOP	35561	1
34	9057144	Gummiunderlägg	RUBBER WASHER	70300	2
35	9050389	Blinkljus vänster front	TURN INDICATE LIGHT,L,FR	83365	1
36	9050388	Blinkljus höger front	TURN INDICATE LIGHT,R,FR	83364	1
37	9057946	Framlykta	DIPPED HEADLIGHT	83373	2
38	9057148	Beslag körljus - höger	DIPPED HEADLIGHT BRACKET, R	27431	1
39	N.A		HIGH BEAM	27610	2
40	9057150	Beslag framlykta - vänster	HIGH BEAM BRACKET, L	27432	1
41	9057151	Beslag körljus - vänster	DIPPED HEADLIGHT BRACKET, L	27433	1
42	N.A		ADJUSTMENT BOLT, HEADLIGHT	27372	8
43	N.A		SPRING	27373	8
44	9045044	Ledljus vänster fram	LED LIGHT, L	27434	1
45	9045045	Ledljus höger fram	LED LIGHT, R	27435	1
46	9050383	Front skydd över lyktor svart	BOARD, FRONT COVER	27611	1
47	N.A		LEG BAFFLEL	27613	1
48	N.A		ADIABATIC PELLICLE, LEG BAFFLEL	27614	1
49	N.A		SCREW ST4.2X13	10178B	6
50	N.A		REFLECTIVE DECALS, HEADLIGHT	27612	4
51	N.A		LEFT SIDE COVER	35843	1

Fig 5

Bärarm/fjäderben / A-arm

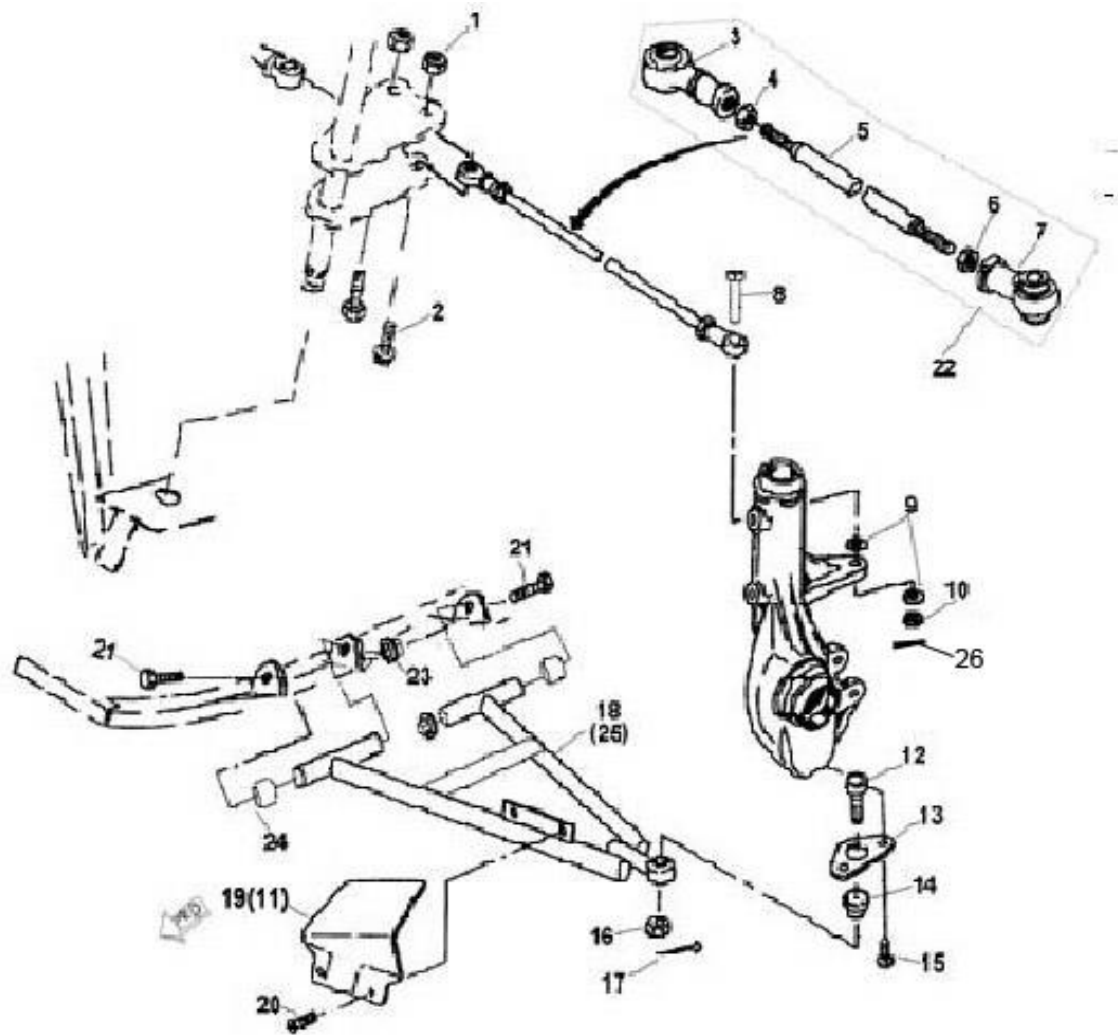


Fig No	PL-nummer	Varunamn	Art name	Oe-ref	Antal/Qty
1	9031005	Mutter M10X1,25	NUT M10X1.25	10015	2
2	N.A		BOLT M10X1.25X57	27794	2
3	9030065	Tie rod B	TIE ROD END B (RIGHT)	20507	2
4	N.A		JAM NUT(RIGHT)	10017	2
5	N.A		TIE ROD	25095	2
6	N.A		JAM NUT(LEFT)	20506	2
7	9030064	Tie rod A	TIE ROD END A (LEFT)	20503	2
8	N.A		BOLT M10X1.25X55	10018	2
9	9033907	Bricka	WASHER	10019	4
10	9024909	Mutter krona M10X1,25	NUT M10X1.25	10020	2
11	9036799	Sprint	COTTER PIN	10021	4
12	9030061	Bäarmstapp	BALL JOINT STUD	20512	2
13	9030062	Hållare bäarmstapp	BALL JOINT MOUNTING BRACKET	20513	2
14	9029797	Gummimanchet	BALL JOINT CUP	20514	2
15	9034773	Bult M6X12	BOLT M6X12	10022	4
16	N.A		NUT M10X1.25	27067	2
17	9036799	Sprint	COTTER PIN 2.5X25	10021	2
18	9030009	Bäarm - vänster	A-ARM LEFT	20518F	1
19	9030010	Skydd för bäarm - vänster	A - ARM SHIELD LEFT	20519	1
20	9033898	Skruv M5X12	SCREW M5X12	10001	4
21	9049609	Axelbult för övre bäarm	A-ARM PIVOT SHAFT	27077	2
22	9030063	Komplett Tie Rod	TIE ROD ASSY	20629B	2
23	9033896	Mutter M12X1,25	NUT M12X1.25	10136	4
24	9029799	Bussning för bäarm	BUSHING	20524f	4
25	9029800	Bäarm - höger	A-ARM RIGHT	20627F	1
26	9036799	Sprint	COTTER PIN	10021	2

Fig 6 Bakaxel/Swingarm assy

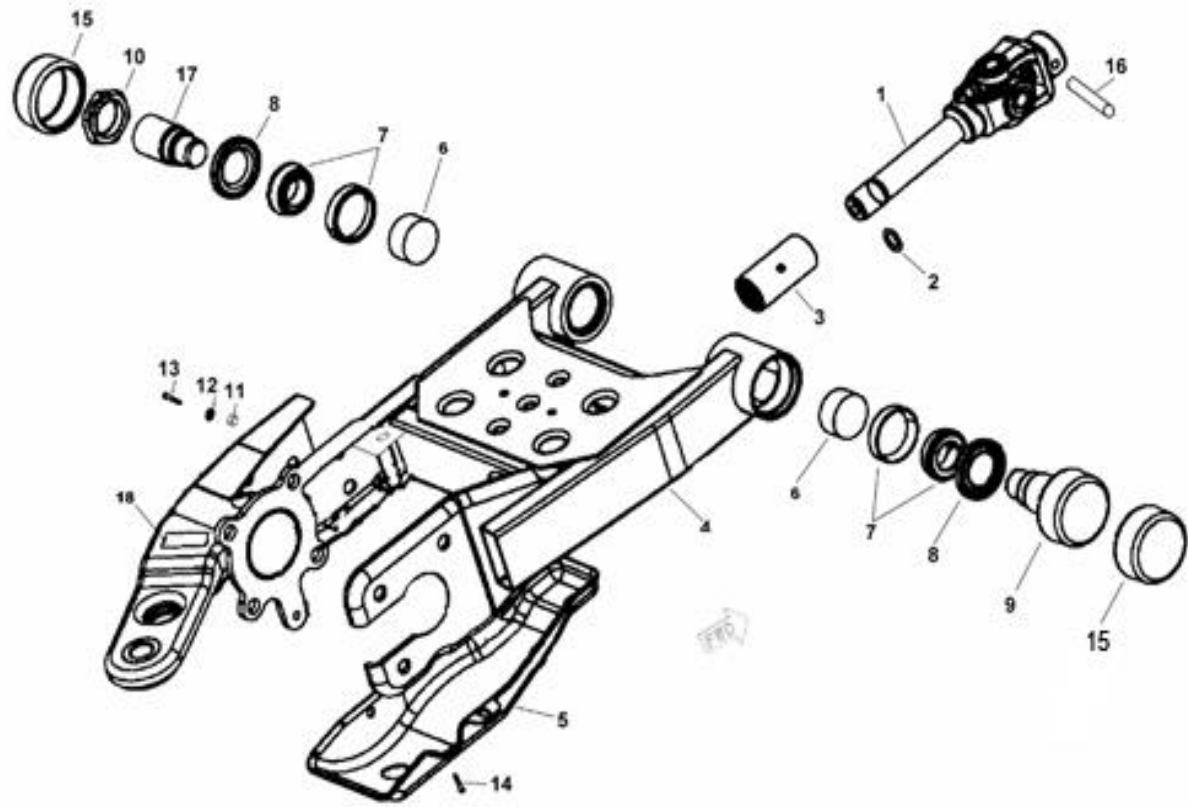


Fig No	PL-nummer	Varunamn	Art name	Oe-ref	Antal/Qty
1	9030733	Bakre kardanaxel	REAR PROPSHAFT ASSY	25098	1
2	N.A		O-RING	11039	1
3	9029597	Kopplingsbussning för kardan	COUPLING-PROP SHAFT GREASED	20703	1
4	9030734	Svängarm komplett	SWINGARM ASSY	25099	1
5	9029639	Skyddsplatta	SKID PLATE REAR	20705	1
6	9029802	Packning för dammskydd	SEAL-SWINGARM PIVOT	20706	2
7	9030068	Rulllager konisk	BEARING	10030	2
8	9030069	Packbox 32X54X6,5	SEAL	20708	2
9	9030070	Axeltapp svängarm - höger	SWING ARM PIVOT RIGHT	20709	1
10	9033839	Gängpropp	THREADED PIVOT	20710	1
11	9050209	Mutter M12	NUT M12	10031	3
12	9050204	Bricka M12	WASHER 12	10032	3
13	N.A		BOLT M12X35	10033	3
14	N.A		BOLT M8X12	10034	3
15	9030066	Propp svängarm	CAP SWINGARM PIVOT	20715	2
16	N.A		ROLL PIN	20716	1
17	9030067	Axeltapp svängarm - vänster	SWINGARM PIVOT LEFT	20717	1
18	N.A		SPONGY GASKET	20718	1

Fig 7

Framhjul/nav/Wheel front

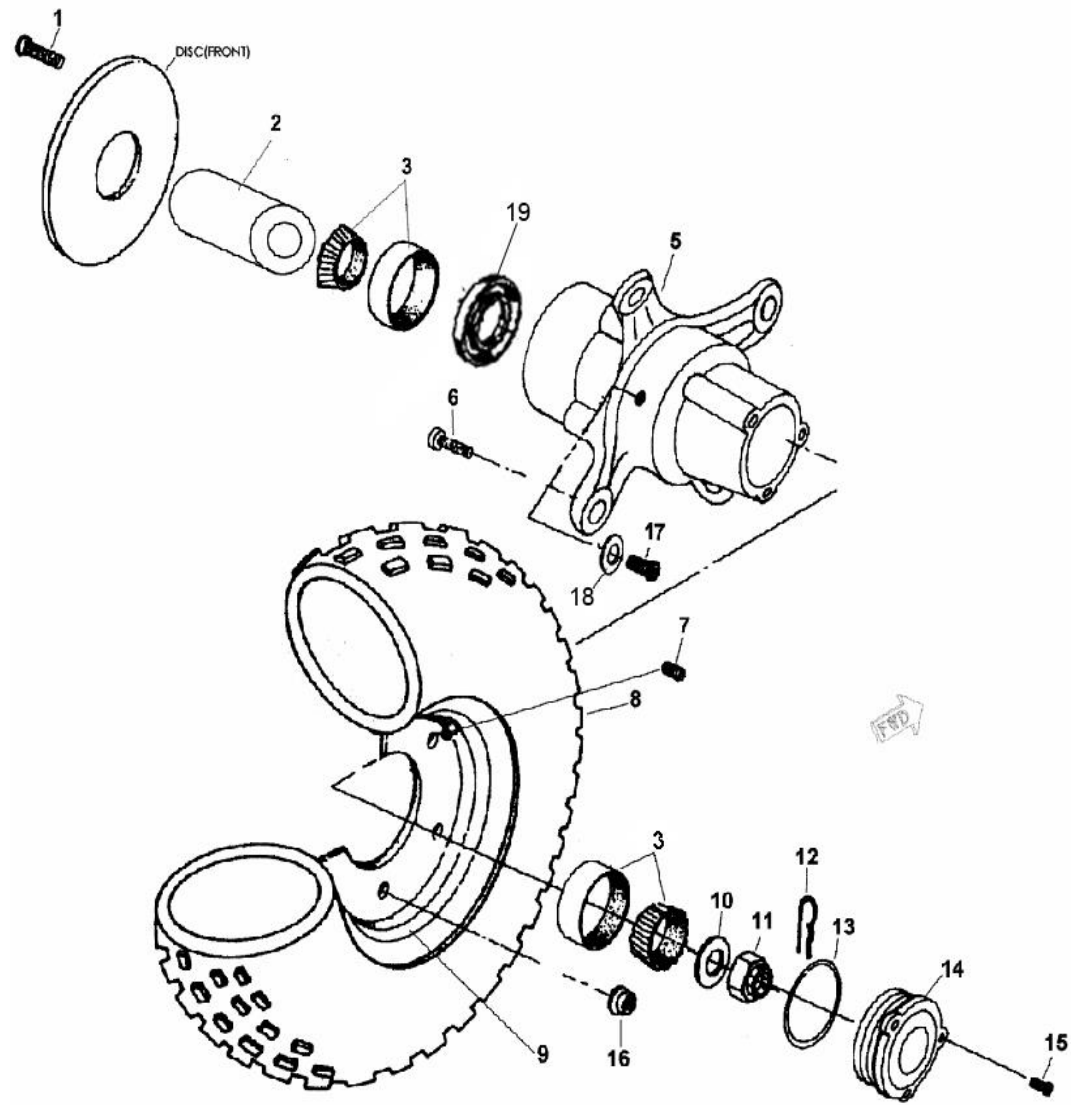


Fig No	PL-nummer	Varunamn	Art name	Oe-ref	Antal/Qty
1	9029912	Bult M8X20	BOLT M8X20	10035	8
2	N.A		SPACER (NOT FOR 4WD)	20802	2
3	9030068	Rullager konisk	BEARING (ONLY FOR 2WD)	10030	4
3	9030068	Rullager konisk	BEARING (ONLY FOR 4WD)	10030	2
5	9031009	Framhjulsnav 2WD	HUB ASSY SHRT	20805	2
	9036441	Framhjulsnav 4WD	HUB ASSY SHRT (FOR 4WD)	20805a	2
6	9029914	Hjulbult framhjul (Alufälg)	WHEEL STUD	20806S	8
6	9031010	Hjulbult framhjul (Stålfälg)	WHEEL STUD	20806	8
7	9029813	Ventil för slanglös	VALVE.RIM (PVR70) FOR IRON WHEEL)	20807	4
8	N.A		TIRE FRONT (MARK IN "DURO")	20808	2
9	9049031	Framhjul komplett 24X8.00-12	WHEELFRONT (IRON AND ARGENTINE)	25100	2
10	9050205	Planbricka M16	WASHER 16	10037	2
	N.A		WASHER (FOR 4WD)	20810	2
11	N.A		SLOTTED NUT M16X1.5	20811	2
	9030071	Kronmutter M16X1,5	SLOTTED NUT (FOR 4WD)	20811A	2
12	9036799	Sprint	COTTER PIN	10051	2
13	9029866	O-Ring 45X2,5	O-RING	10039	2
14	9029803	Navkapsel AWD	HUB CAP 2-LOBE AWD	20814	2
15	N.A		SCREW M5X16	10040	6
16	9031005	Mutter M10X1,25	LUG NUT M10X1.25 (BLACK FOR IRON)	10015	8
17	9031006	Oljepropp	LUG	20817	1
18	9031007	Bricka	WASHER	20818	1
19	9040321	Packbox framhjul 66,6X82,5X12,8	SEAL SLEEVE 66.6x82.5x12.8	20804	2

Fig 8

Stötdämpare/bakdel/Shock absorber rear axle

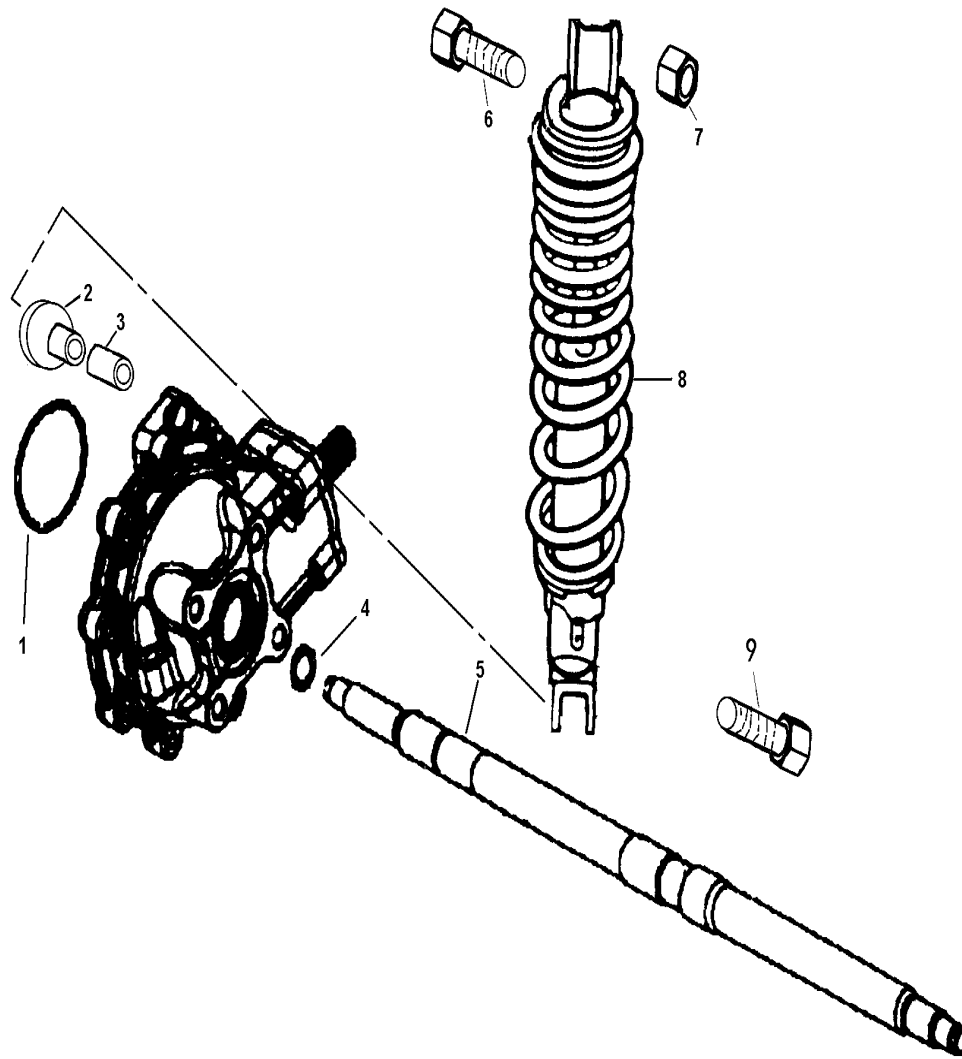


Fig No	PL-nummer	Varunamn	Art name	Oe-ref	Antal/Qty
1	9030025	O-ring	O-RING	20901	1
2	9030016	Gummidämpare	CUSHION PAD	20902	2
3	9030017	Bussning	SPACER-BEARING	20903	1
4	N.A		O-RING	11041	2
5	9030736	Bakaxel "EU Model Bremsesystem"	REAR AXLE (FOR EUROPE AND PARKING SYSTEM I)	25102	1
6	N.A		UP BOLT M10X1.25X57	20906	1
7	9031005	Mutter M10X1,25	NUT M10X1.25	10015	2
8	9030737	Stötdämpare Bak	SHOCK ABSORBER REAR	25104	1
9	9030072	Bult M10X57X1,25	DOWN BOLT M10X1.25X57	20909	1

Fig 9

Bakhjul/Wheel Rear "for Europe"

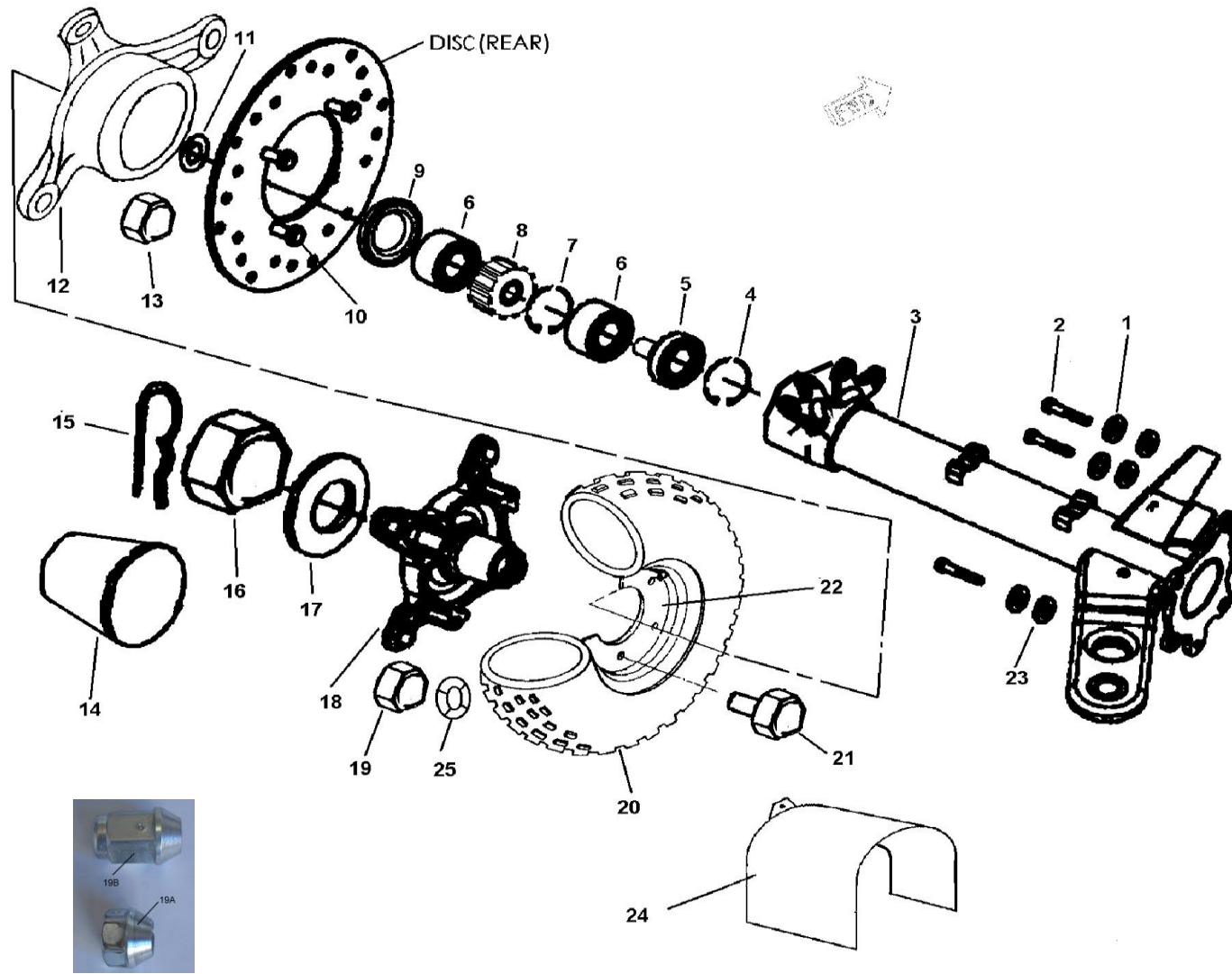


Fig No	PL-nummer	Varunamn	Art name	Oe-ref	Antal/Qty
1	9050204	Planbricka M12	WASHER 12	10032	8
2	9050250	Bult M12X30	BOLT M12X30	10045	8
3	N.A		AXLE TUBE AND HITCH ASSEMBLY	29823	1
4	9029820	Låsring invändig	RING RETAINER INT	21004	1
5	9030091	Avståndsbussning	SPACER	21005	1
6	9030074	Bakhjuls lager	BEARING BALL DBL SEAL	10046	2
7	9029821	Låsring invändig	RING RETAINER INT	10047	1
8	N.A		SPACER-BEARING	31008	1
9	9030076	Packbox bakaxel	SEAL REAR AXLE	21009	2
10	9029817	Bult M10X20X1,25	BOLTS M10X1.25X20	10048	6
11	N.A		O-RING	11040	1
12	9029640	Nav för Bromsskiva	HUB BRAKE DISC MACH	21012	1
13	N.A		NUT M10X1.25	10050	6
14A	9030738	Navkapsel - höger	AXLE CAP, R	25106	2
14B	9030073	Navkapsel - vänster	AXLE CAP, L	21014	2
15	9036799	Sprint	COTTER PIN	10051	2
16	9030020	Kronmutter M20X2	NUT SLOTTED M20X2	11042	2
17	N.A		WASHER	21017	2
18	9030021	Hjulnav	WHEEL HUB	21018	2
19	9039520	Hjulmutter M12X1,25	LUG NUT M12X1.25	21019	8
20	9030022	Bakdäck	TIRE REAR (MARK IN "DURO")	31020	2
20	9031094	Landsvägsdäck bak 285/65-10	Tire Rear Road Use	31020R	2
21	9029868	Hjulbult	WHEEL STUD M12X1.25X45	10053	8
21	9029915	Hjulbult ALU M12X45X1,25	Wheel stud Alu rims	10053S	8
22	9031018	Bakhjul Stål	WHEEL REAR (IRON AND ARGENTINE)	21022a	2
23	9050204	Planbricka M12	WASHER 12	10054	8
24	N.A		BRAKE HOSE COVER	31024	2
25	9053606	Låsring till hjulbult	WHEEL WASHER	21026	8

Fig 10

Bak diffrentiale/ Rear Gear-Box

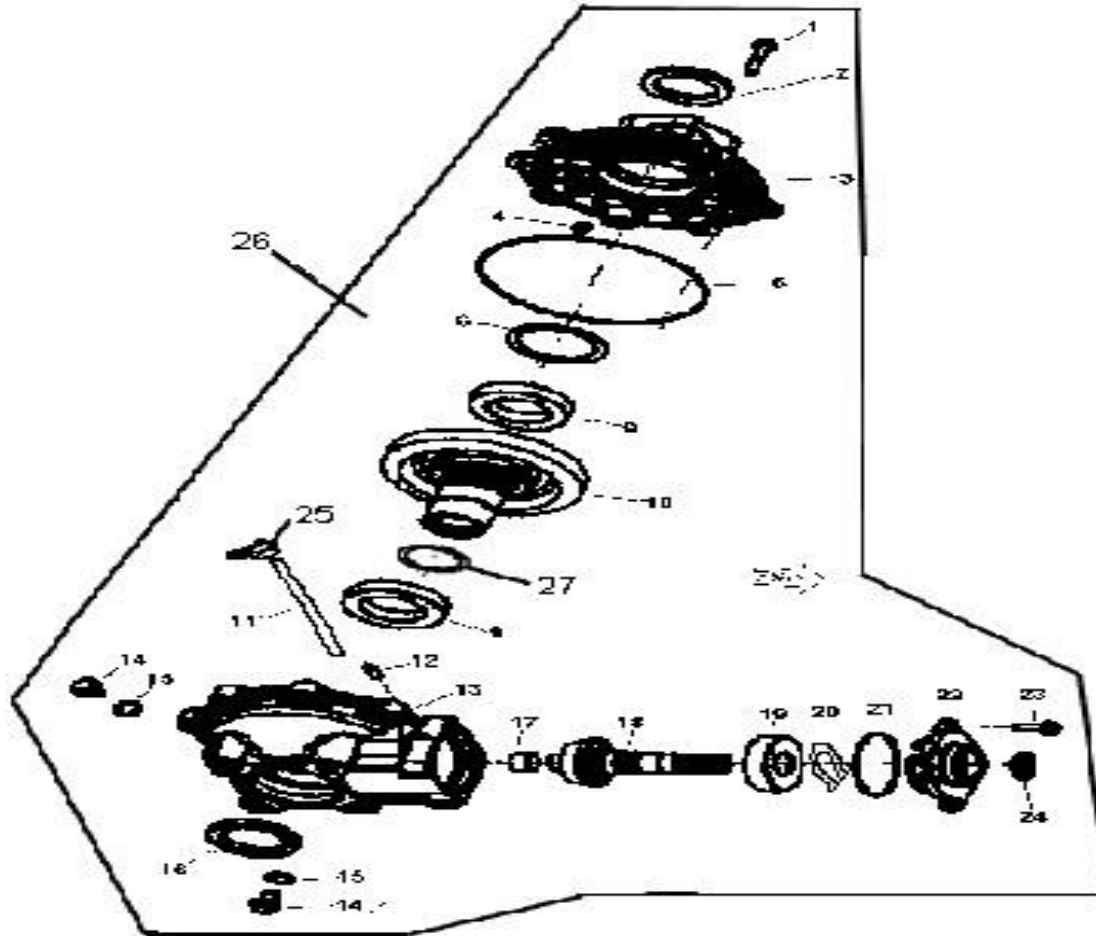


Fig No	PL-nummer	Varunamn	Art name	Oe-ref	Antal/Qty
1	N.A		BOLT M8X45	10055	2
2	9030024	Packbox 50X70X8	SEAL 50X70X8	21102	1
3	N.A		OUTPUT COVER	21103	1
4	N.A		DOWEL PIN	21104	1
5	9030027	O-Ring 176X2,65mm	O-RING 176X2.65	21105	1
6	N.A		SHIM	21106	1
7	N.A		SHIM D	21107	1
8	N.A		THRUST BUTTON	21108	1
9	9033905	Lager	BEARING 110	10056	2
10	9033870	Kronhjul	RING GEAR	21110	1
11	9033871	Utluftning	VENT	21111	1
12	9034516	Ventil utluftning	BEARING	21112	1
13	N.A		DRIVE HOUSING	21113	1
14	9033874	Oljepropp	OIL PLUG	21114	2
15	9033875	Skiva	WASHER	21115	2
16	9030024	Packbox 50X70X8	SEAL 50X70X8	21102	1
17	9030673	Bussning 23X20X15	BUSHING P23X20X15	10057	1
18	9033878	Spridhjul saxel	PINION SHAFT	21118	1
19	9029601	Kullager	BEARING 6306ST	10058	1
20	9029641	Låsring 30	RETAINER 30	21120	1
21	9049596	O-ring 79X2,65	O-RING 79X2.65	20901A	1
22	9033884	Skydd för ingångsaxel	INPUT COVER	21122	1
23	9033887	Bult M8X25	BOLT M8X25	10059	10
24	9030026	Packbox 25X35X5	SEAL 25X35X5	21124	1
25	N.A		CLAMP	25107	1
26	9029570	Komplett bakdel	REAR GEARBOX ASSY	21125	1
27	N.A		O-RING 35.5X3.55	25609	1

Fig 11

Växellåda/Transmission 2WD

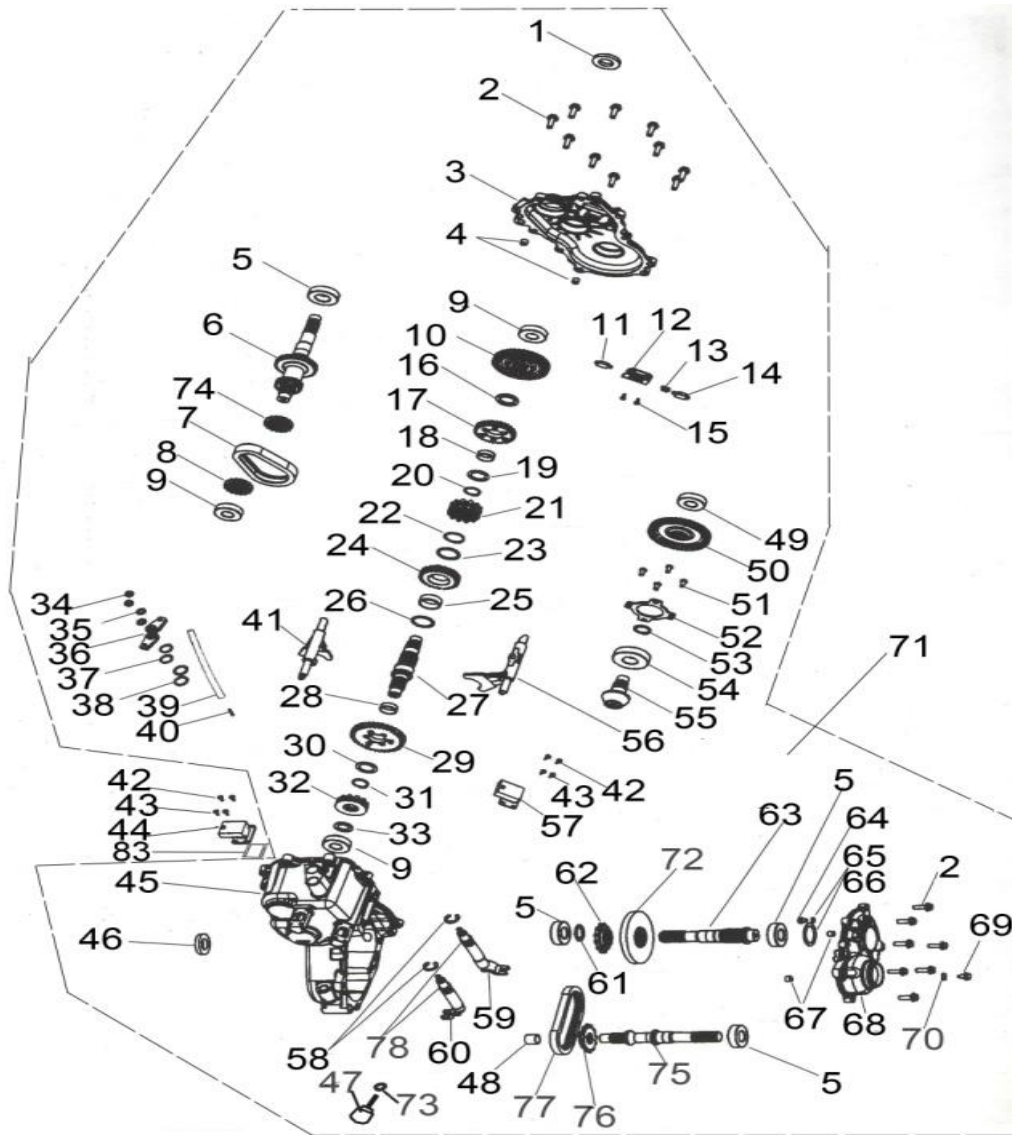


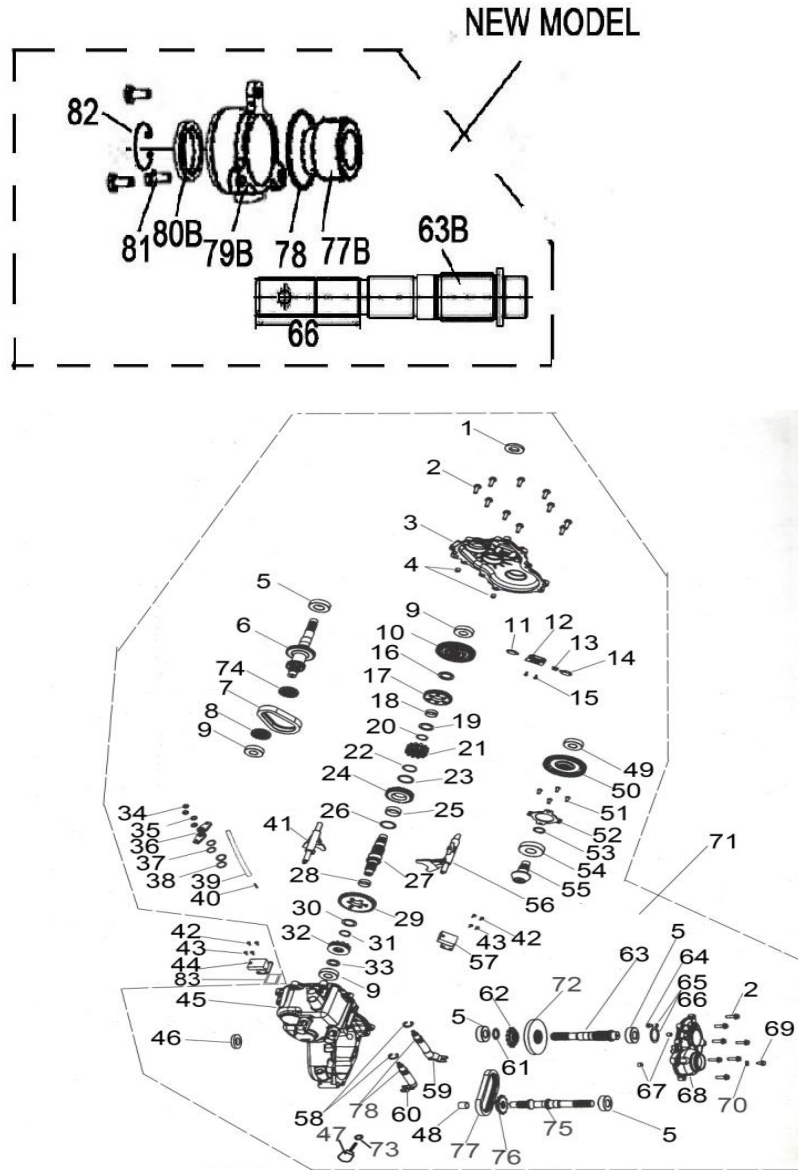
Fig No	PL-nummer	Varunamn	Art name	Oe-ref	Antal/Qty
1	9029642	Packbox 25X47X8	SEAL 25X47X8	21201	1
2	9033941	Bult M8X28	BOLT M8X28	10060	17
3	9033953	Skydd	MAIN COVER	21203b	1
4	9033895	Styrtapp	DOWEL PIN	21104	2
5	9033978	Lager 6205C3	BEARING 6205c3	10061	3
6	9033990	Ingångsaxel	INPUT SHAFT	21206b	1
7	9042315	Kedja	CHAIN	21207	1
8	9034018	Kedjehjul 16T	GEAR 16T	21208	1
9	9038575	Kullager 6204	BEARING 6204	10062	3
10	9042317	Tandhjul 35T "kedja"	GEAR, HELICAL 35T	21210	1
11	9034030	Låssprint	INTERLOCK PIN	21211	1
12	9033932	Låsbeslag	INTERLOCK BRACKET	21212	1
13	9042318	Fjäder	SPRING	21213	1
14	9034030	Låssprint	INTERLOCK PIN	21211	1
15	9033898	Skruv M5X12	SCREW M5X12	10001	2
16	9042319	Avståndsbricka	SPACER	21216	1
17	9042320	Tandhjul 31T	GEAR 31T	21217	1
18	9030970	Nållager 25X29X10	NEEDLE BEARING 25	21218	1
19	9030946	Tryckbricka	THRUST WASHER	21219	1
20	9033942	Låsring	SNAP RING	10064	1
21	9030948	Muff	DOG GEAR	21221	1
22	9033944	Låsring	SNAP RING	10065	1
23	9033945	Tryckbricka	THRUST WASHER	21223	1
24	9033946	Växelhjul 24T	SPROCKET 24T	21224	1

25	9033947	Nållager 25	NEEDLE BEARING 25	21225	1
26	9033945	Tryckbricka	THRUST WASHER	21223	1
27	9033949	Axel	SHAFT	21327	1
28	9030970	Nållager 25	NEEDLE BEARING 25	21218	1
29	9033951	Tandhjul 35T	GEAR 35T	21329	1
30	9033945	Tryckbricka	THRUST WASHER	21223	1
31	9033942	Låsring	SNAP RING	10064	1
32	9033956	Griber klo	ENGAGEMENT	21332	1
33	9033957	Tryckbricka	THRST WASHER	21333	1
34	9050207	Mutter M8	NUT M8	10067	2
35	9050202	Planbricka	WASHER 8	10068	2
36	9030968	Förbindelse led	BELLCRANK	21336	2
37	9033961	Låsring	SNAP RING	10069	2
38	9033962	Bricka	WASHER	21338	2
39	9033963	Utluftnings slang	VENT TUBE	21339	1
40	9033966	Utluftningsventil	VENT TUBE FITTING	21340	1
41	9033967	Skiftgaffel fram/bak	SHIFT FORK HIGH/REVERSE	21341	1
42	9034061	Skruv M4	SCREW M4	10007	8
43	9033969	Bricka M4	WASHER 4	10071	8
44	9029643	Växel indikator kontakt	GEAR INDICATOR SWITCH	21344	1
45	9033972	Växellåds hus	GEARCASE,RH	21345b	1
46	9029642	Packbox 25X47X8	SEAL 25X47X8	21201	1
47	9029644	Oljesticka	DIPSTICK	21475	1
48	N.A		SCREW	10219	1
49	9033976	Lager 6204C3	BEARING 6204C3	10063	1
50	9042331	Tandhjul 46T	GEAR HELICAL 46T	21350	1
51	9033980	Skruv M6X10	SCREW M6X10	10073	4
52	9030964	Låsplatta	BEARING RETAINER PLATE	21351	1

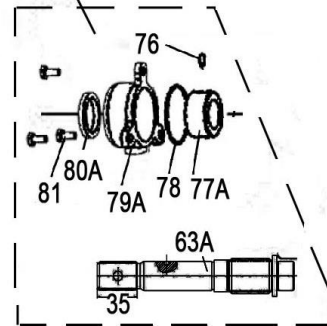
53	9033982	Låsring	SNAP RING	21453	1
54	9033983	Kullager 6305ST	BEARING 6305ST	10074	1
55	9033984	Drivaxel 10T	PINION SHAFT 10T	21455	1
56	9033985	Skiftgaffel låg växel	SHIFT FORK LOW	21456	1
57	9030676	Växelkontakt nedre	GEAR INDICATOR SWITCH	21457	1
58	9033987	Låsring	SNAP RING	10075	2
59	9033988	Skiftarm/axel	SHIFT ROD LOW	21459	1
60	9033991	Skiftarm/axel Hög/bak	SHIFT ROD HIGH/REVERSE	21460	1
61	9033992	Tryckbricka	THRUST WASHER	21461	1
62	9030955	Kronhjul	GEAR	21462	1
63B	9039571	Utgångsaxel	SHAFT REAR OUTPUTA (USE WITH SPEED SENSOR) (NEW MODEL)	70354	1
65	9030957	Shim 1	SHIM 1	21465	1
67	9033895	Styrta	DOWEL PIN	21104	2
68	9034001	Skydd	COVER	21468	1
69	9030959	Bottenpropp	DRAIN SCREW	21469	1
70	9034005	Bricka	WASHER	21470	1
71	N.A		TRANSMISSION ASSY	21471a	1
71	9044858	Växellåda komplett 2WD	Transmission ASSY	21471	1
72	9030953	Oljeplatta	OIL PLATE	21473	1
73	9029773	O-Ring 18X2,65	O RING 18X2.65	10122	1
74	9034009	Tandhjul	SPROCKET	21477	1
75	9029714	O-Ring 14X2,65	O RING 14X2.65	10123	4
77B	9034107	Collar "ny modell"	COLLAR(NEW MODEL)	25511A	1
78	9034014	O-Ring 50X1,5	O RING 50X1.5	25512	1

Fig 12

Växellåda/Transmission/Speedsensor



OLD MODEL



NEW MODEL

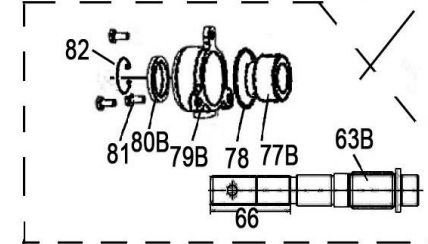


Fig No	PL-nummer	Varunamn	Art name	Oe-ref	Antal/Qty
79B	9034016	Sensor ring "ny modell	SPEED SENSOR COVER(NEW MODEL)	25513A	1
80B	9034020	Packbox 30X40X5	SEAL30X40X5 (NEW MODEL)	27068	1
81	9034021	Bult	BOLT	10010	3
82	9034022	Låsring 24 "ny modell"	CLAMP 24(NEW MODEL)	10164	1
83	N:A		GEAR INDICATOR SWITCH WASHER	25649	1

Fig 13

Växellåda/Transmission 4WD

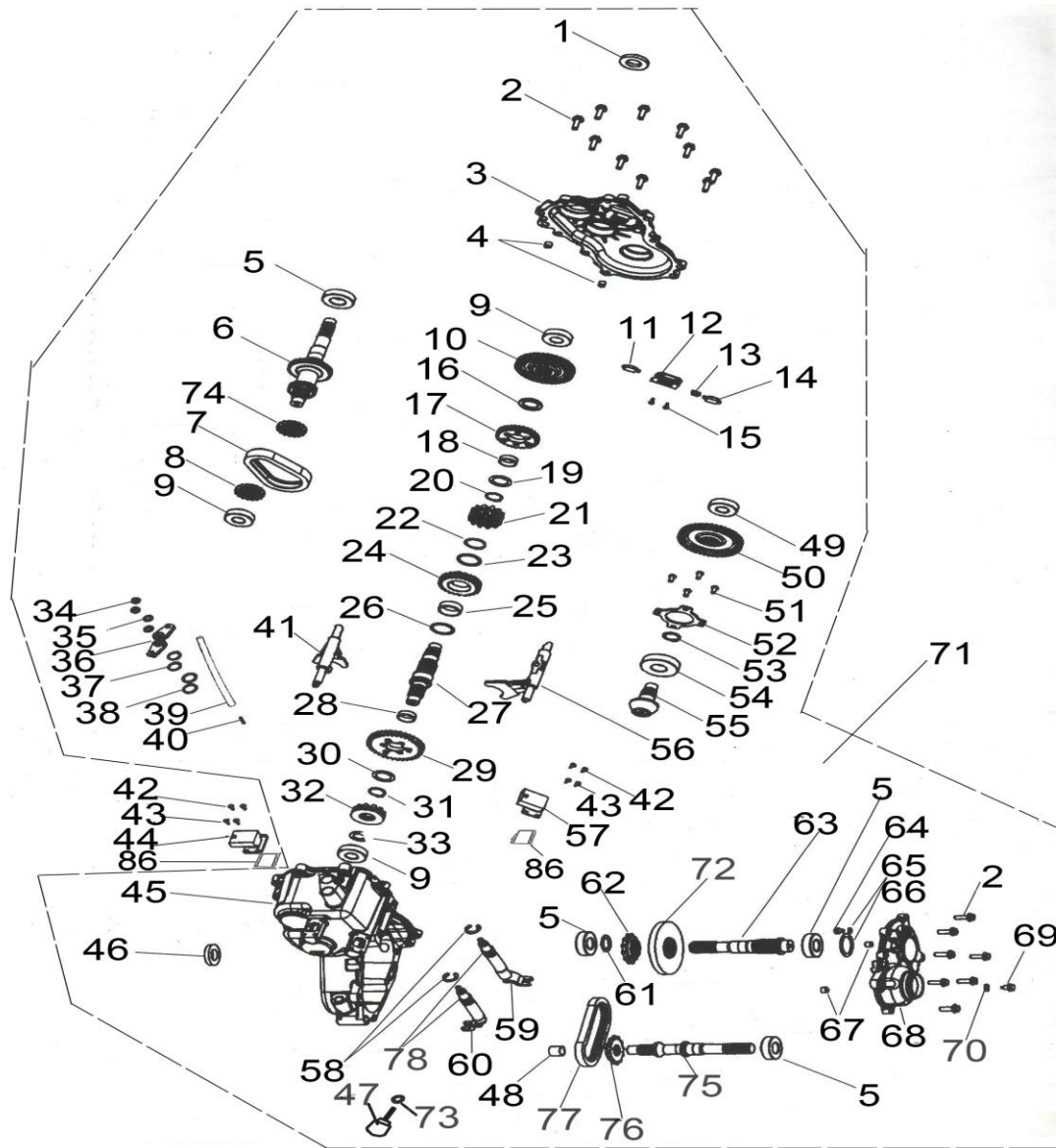


Fig No	PL-nummer	Varenavn	Art name	Oe-ref	Antal/Qty
1	9029642	Packbox 25X47X8	SEAL 25X47X8	21201	1
2	9033941	Bult	BOLT M8X28	10060	17
3	9033893	Skydd	MAIN COVER	21203b	1
4	9033895	Styrtapp	DOWEL PIN	21104	2
5	9033978	Lager 6205	BEARING 6205c3	10061	3
6	9033990	Ingångsaxel 29T	INPUT SHAFT	21206b	1
7	9042315	Kedja	CHAIN	21207	1
8	9034018	Kedjehjul 16T	GEAR 16T	21208	1
9	9038575	Lager 6204	BEARING 6204	10062	3
10	9042317	Tandhjul 35T	GEAR,HELICAL 35T	21210	1
10	9033930	Tandhjul 31T	GEAR, HELICAL 31T	21210A	1
11	9033931	Låssprint	INTERLOCK PIN	21211	1
12	9033932	Låsbeslag	INTERLOCK BRACKET	21212	1
13	9042318	Fjäder	SPRING	21213	1
14	9033931	Låssprint	INTERLOCK PIN	21211	1
15	9033898	Skruv M5X12	SCREW M5X12	10001	2
16	9042319	Avståndsbricka	SPACER	21216	1
17	9042320	Tandhjul 31T	GEAR 31T	21217	1
18	9030970	Nållager 25X29X10	NEEDLE BEARING 25	21218	1
19	9030946	Tryckbricka	THRUST WASHER	21219	1
20	9033942	Låsring	SNAP RING	10064	1
21	9030948	Muff	DOG GEAR	21221	1
22	9033944	Låsring	SNAP RING	10065	1
23	9033945	Tryckbricka	THRUST WASHER	21223	1
24	9033946	Växelhjul 24T	SPROCKET 24T	21224	1
25	9033947	Nållager 25	NEEDLE BEARING 25	21225	1
26	9033945	Tryckbricka	THRUST WASHER	21223	1
27	9033949	Axel	SHAFT	21327	1
28	9030970	Nållager 25	NEEDLE BEARING 25	21218	1
29	9033951	Tandhjul 35T	GEAR 35T	21329	1
30	9033945	Tryckbricka	THRUST WASHER	21223	1

31	9033942	Låsring	SNAP RING	10064	1
32	9033956	Griber klo	ENGAGEMENT	21332	1
33	9033957	Tryckbricka	THRST WASHER	21333	1
34	9050214	Mutter M8	NUT M8	10067	2
35	9050202	Planbricka	WASHER 8	10068	2
36	9030968	Förbindelse led	BELLCRANK	21336	2
37	9033961	Låsring	SNAP RING	10069	2
38	9033962	Bricka	WASHER	21338	2
39	9033963	Utluftningsslang	VENT TUBE	21339	1
40	9033966	Udluftnings fäste	VENT TUBE FITTING	21340	1
41	9033967	Skiftgaffel fram/bak	SHIFT FORK HIGH/REVERSE	21341	1
42	9033968	Skruv M4	SCREW M4	10007	8
43	9033969	Bricka M4	WASHER 4	10071	8
44	9029643	Växel indikator kontakt	GEAR INDICATOR SWITCH	21344	1
45	9033972	Växellåds hus	GEARCASE,RH	21345b	1
46	9029642	Packbox 25X47X8	SEAL 25X47X8	21201	1
47	9029644	Oljesticka	DIPSTICK	21475	1
48	9034068	Bussning	BUSHING	10275	1
49	9033976	Kullager	BEARING 6204C3	10063	1
	9042331	Tandhjul 46T	GEAR HELICAL 46T	21350	1
50	9033979	Tandhjul 51T	GEAR HELICAL 51T	25109	1
51	9033980	Skruv M6X10	SCREW M6X10	10073	4
52	9030964	Låsplatta	BEARING RETAINER PLATE	21351	1
53	9033982	Låsring	SNAP RING	21453	1
54	9033983	Kullager 6305ST	BEARING 6305ST	10074	1
55	9033984	Drivaxel 10T	PINION SHAFT 10T	21455	1
56	9033985	Skiftgaffel låg växel	SHIFT FORK LOW	21456	1
57	9030676	Växelkontakt nedre	GEAR INDICATOR SWITCH	21457	1
58	9033987	Låsring	SNAP RING	10075	2
59	9033988	Skiftarm/axel	SHIFT ROD LOW	21459	1
60	9033991	Skiftarm/axel Hög/bak	SHIFT ROD HIGH/REVERSE	21460	1
61	9033992	Tryckbricka	THRUST WASHER	21461	1
62	9042339	Kronhjul 12T	SPORCKET 12T	21483	1

63B			SENSOR) (NEW MODEL)	70354	1
64	9033997	Propp	THRUST BUTTON	21464	1
65	9030957	Justerskiva 1	SHIM 1	21465	1
66	9033999	Justerskiva 2	SHIM 2	21107	1
67	9033895	Styrtapp	DOWEL PIN	21104	2
68	9034001	Skydd	COVER	21468t	1
69	9030959	Bottenpropp	DRAIN SCREW	21469	1
70	9034005	Bricka	WASHER	21470	1
71	9030788	Växellåda komplett 4WD	TRANSMISSION ASSY	21471t	1
72	9030955	Kronhjul	GEAR	21462	1
73	9029773	O-ring 18X2,65	O RING 18X2.65	10122	1
74	9034009	Tandhjul	SPROCKET	21477	1
75	9034100	Utgångsaxel	SHAFT FRONT OUTPUT	21480	1
76	9034101	Kedjehjul 12T	SPORCKET 12T	21481	1
77	9030677	Kedja	CHAIN	21482	1
78	9029714	O-ring 14X2,65	O RING 14X2.65	10123	4
80B	9034107	Collat "ny modell"	COLLAR(NEW MODEL)	25511A	1
81	9034014	O-ring 50X1,5	O RING 50X1.5	25512	1
82B	9034016	Speedometer givare hus	SPEED SENSOR COVER(NEW MODEL)	25513A	1
83B	Pakdåse	Packbox 30X40X5	SEAL30X40X5 (NEW MODEL)	27068	1
84	9034021	Bult	BOLT	10010	3
85	9034022	Låsring	CLAMP 24(NEW MODEL)	10164	1
86	N.A		GEAR INDICATOR SWITCH WASHER	25649	2

Fig 14

Upphängning/Support bracket

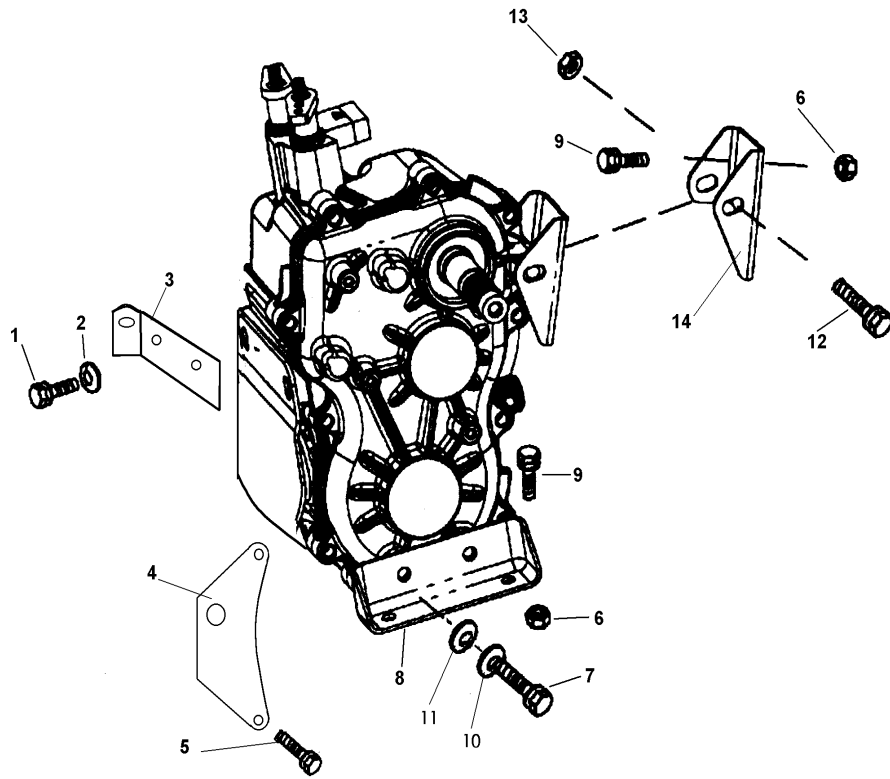


Fig No	PL-nummer	Varunamn	Art name	Oe-ref	Antal/Qty
1	9050249	Bult M12X20	BOLT M12X20	10076	2
2	9050204	Planbricka M12	WASHER 12	10054	2
3	9034130	Monteringsbeslag - höger	RIGHT	21503	1
4	9034132	Monteringsbeslag - vänster	TRANSMISSION MOUNTING BRACKET LEFT	21504	1
5	9050232	Bult M8X30	BOLT M8X30	10078	3
6	9050207	Mutter M8	NUT M8	10079	3
7	9033910	Bult M10X25	BOLT M10X25	10028	2
8	9033904	Beslag för transmssion nedre	TRANSMISSION MOUNTING BRACKET BOTTOM	21508	1
9	9050231	Bult M8X20	BOLT M8X20	10081	3
10	9050203	Planbricka M10	WASHER 10	10027	2
11	9033907	Bricka	WASHER	10019	2
12	9033918	Bult M10X70X1,25	BOLTM10X1.25X70	10084	1
13	9050208	Mutter M10	NUT M10	10015	1
14	9033916	Beslag för transmission bakre	REAR	21514	1

Fig 15

Växelspak/shiftrod

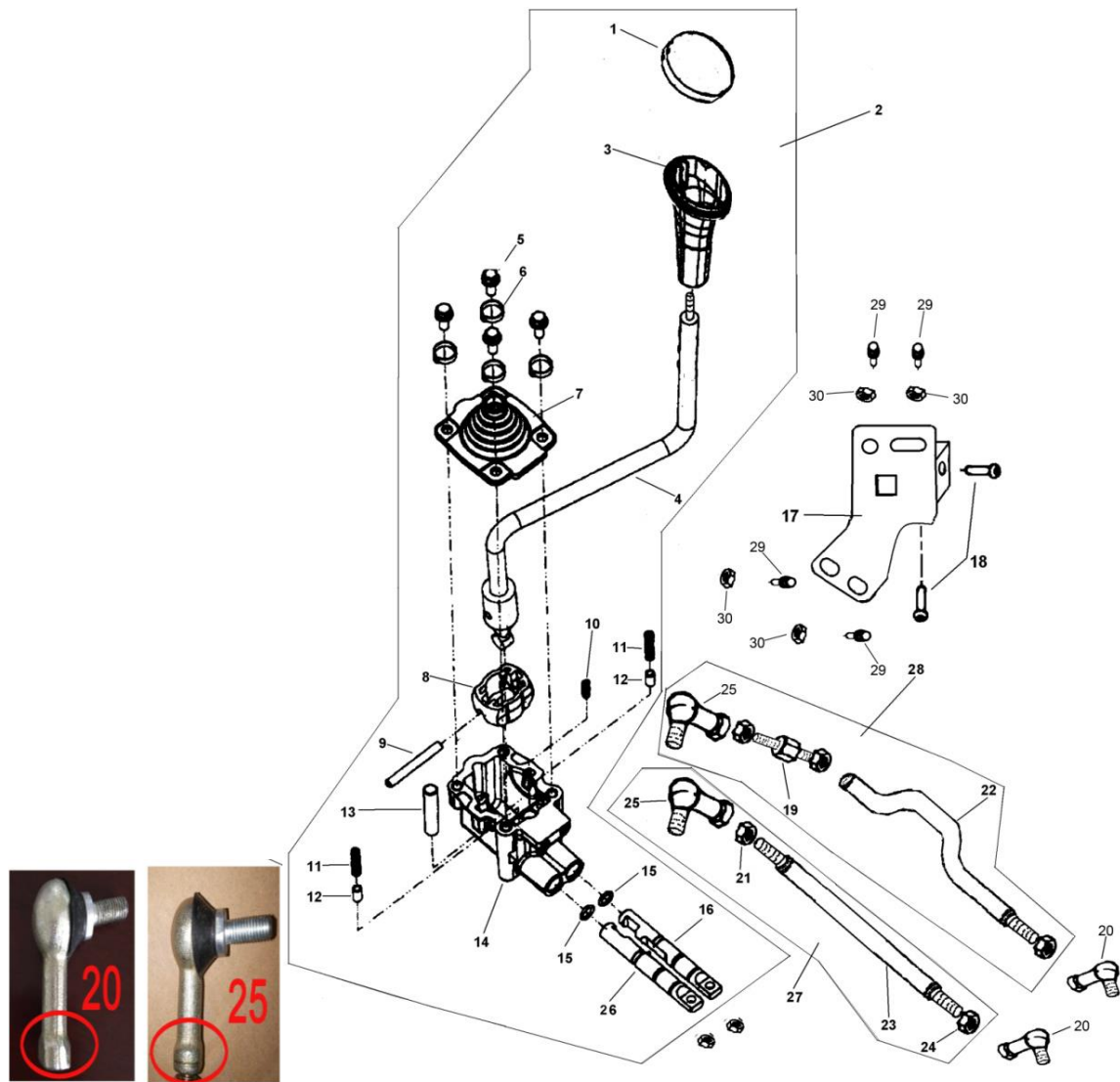


Fig No	PL-nummer	Varunamn	Art name	Oe-ref	Antal/Qty
1	9030028	Växel information	LABLE	21601a	1
2	9029602	Komplett växelspak	SHIFTER ASSY MOUNTING	21729B	1
3	9029648	Knopp	KNOB	21603A	1
4	N.A		SHIFT LEVER	21604a	1
5	9034737	Bult M6X12	BOLT M6X12	10086	4
6	9050201	Planbricka M6	WASHER 6	10006	4
7	9029717	Manchett	BOOT	21607A	1
8	9030029	Plasthölje växel	PLASTIC SPHERE	21608A	1
9	N.A		GROOVE PIN	21609A	1
10	N.A		CENTERING SPRING	21610A	1
11	N.A		DETENT SPRING	21611A	2
12	N.A		DETENT BULLET	21612A	2
13	N.A		DOWEL PIN	21613A	1
14	N.A		SHIFFER HOUSING	21614A	1
15	9049852	O-Ring 9,5X1,8	O-RING	21615	2
16	N.A		SELECTOR SLIDES HIGH/REVERSE	21616A	2
17	N.A		SHIFTER MOUNTING BRACKET	21617a	1
18	9034021	Bolt M6X15	BOLT M6X15	10010	4
19	N.A		SHIFT ROD COUPLER	21619	1
20	9029715	Kulled	SHIFT ROD END CW	21620	2
21	9050206	Mutter M6	JAM NUT M6 CW	10090	3
22	N.A		SHIFT ROD HIGH/REVERSE	25254	1
23	N.A		SHIFT ROD LOW	25254	1
24	N.A		JAM NUT M6 CCW	21624	2
25	9030801	Kulhuvud	SHIFT ROD END CCW	21625	2
26	9029645	Axel låg	SELECTOR SLIDES LOW	21626	1
27	9030783	Komplett A	SHIFTER MOUNTING ROD A	25256	1
28	9030784	Komplett B	SHIFTER MOUNTING ROD B	25257	1

Fig 16

Stötdämpare fram/ Shock absorber front

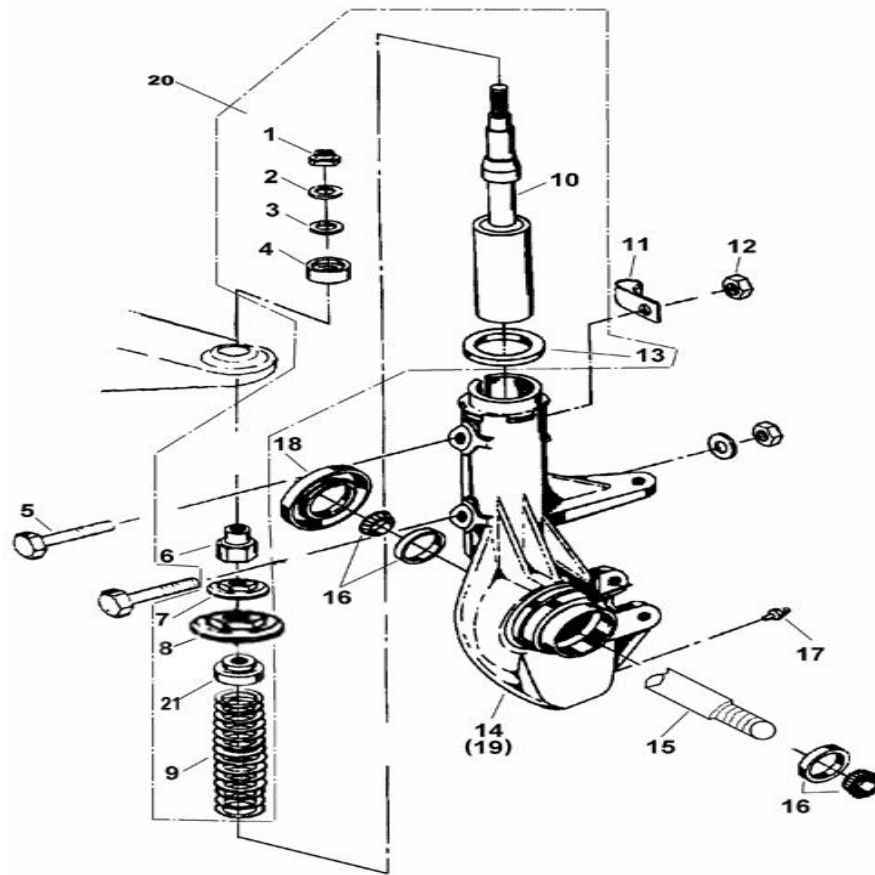


Fig No	PL-nummer	Varunamn	Art name	Oe-ref	Antal/Qty
1	9034762	Mutter M14X1,5	NUT M14X1.5	10091	2
2	N.A		WASHER 14	21802	2
3	9029718	Avståndsgummi	SPACER RUBBER	21803	2
4	9029652	Lager övre	UPPER PIVOT BALL	21804	2
5			BOLT M8X55	10093	4
6	9034852	Mutter M14X1,5	NUT M14X1.5	21806	2
7	9029653	Lager nedre	LOWER PIVOT BALL	21807	2
8	9029654	Fjäderskål	SPRING RETAINER	21808	2
9	9029655	Fjäder	SPRING	21809	2
10	N.A		STRUT BUMPER	25288	2
11	N.A		CLAMP	21811	2
12	9050207	Mutter M8	NUT M8	10079	4
13	9030095	Fjäderskål	SPRING RETAINER	21813	2
14	9029649	Fjäderben - vänster	STRUT BODY LEFT	21814	1
15	9030096	Axeltapp	SPINDLE BOLT(FOR 2WD)	21815	2
16	9030097	Framhjulslager/rulllager	BEARING	10095	4
17	9037437	Fettnippel	GREASE FITTING	27074	2
18	9030098	Packbox 60X73X8	SEAL SLEEVE	21818	2
19	9029650	Fjäderben - höger	STRUT BODY RIGHT	21819	1
20	9029651	Stötdämpare	FRONT SHOCK ABSORBER ASSY	21820	2
21	9038949	Anläggningsbricka	CUSHION	25110	2

Fig 17

Styraxel/Steering column

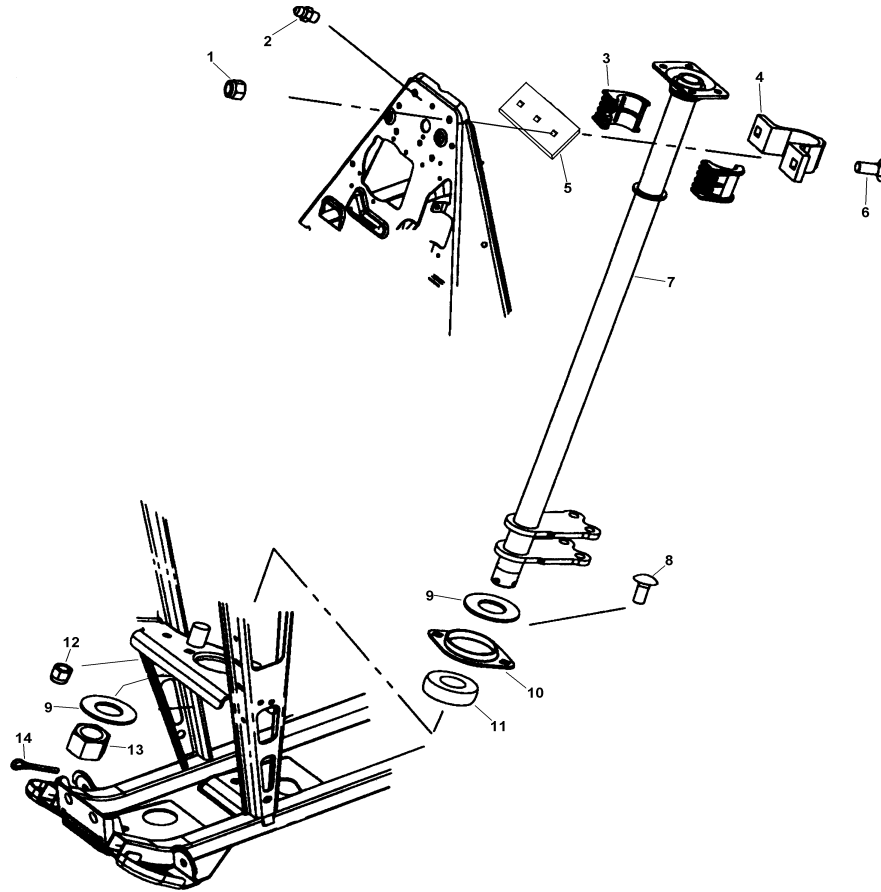


Fig No	PL-nummer	Varunamn	Art name	Oe-ref	Antal/Qty
1	9050207	Mutter M8	NUT M8	10079	2
2	9037437	Fettnippel	GREASE FITTING	10026	1
3	9029719	Bussning	BUSHING	21903	2
4	9036381	U-böj	STEERING CLAMP REAR	21904	1
5	9038948	Hållare	STEERING CLAMP FRONT	21905	1
6	N.A		BOLT	21906	2
7	9040221	Styraxel 608mm	STEERING COLUMN (608 MM LENGTH)	21907f	1
8	N.A		BOLT	21906	2
9	9057189	Bricka	WASHER	21909	2
10	9029656	Hållare för lager	BEARING RETAINER	21910	1
11	9029657	Lager	BEARING	21911	1
12	9050207	Mutter M8	NUT M8	10079	2
13	9029658	Kronmutter M24x2	STEERING COLUMN RETAINER NUT	10100	1
14	9037424	Sprint	COTTER PIN	10101	1

Fig 18

Elsystem/Electrical system

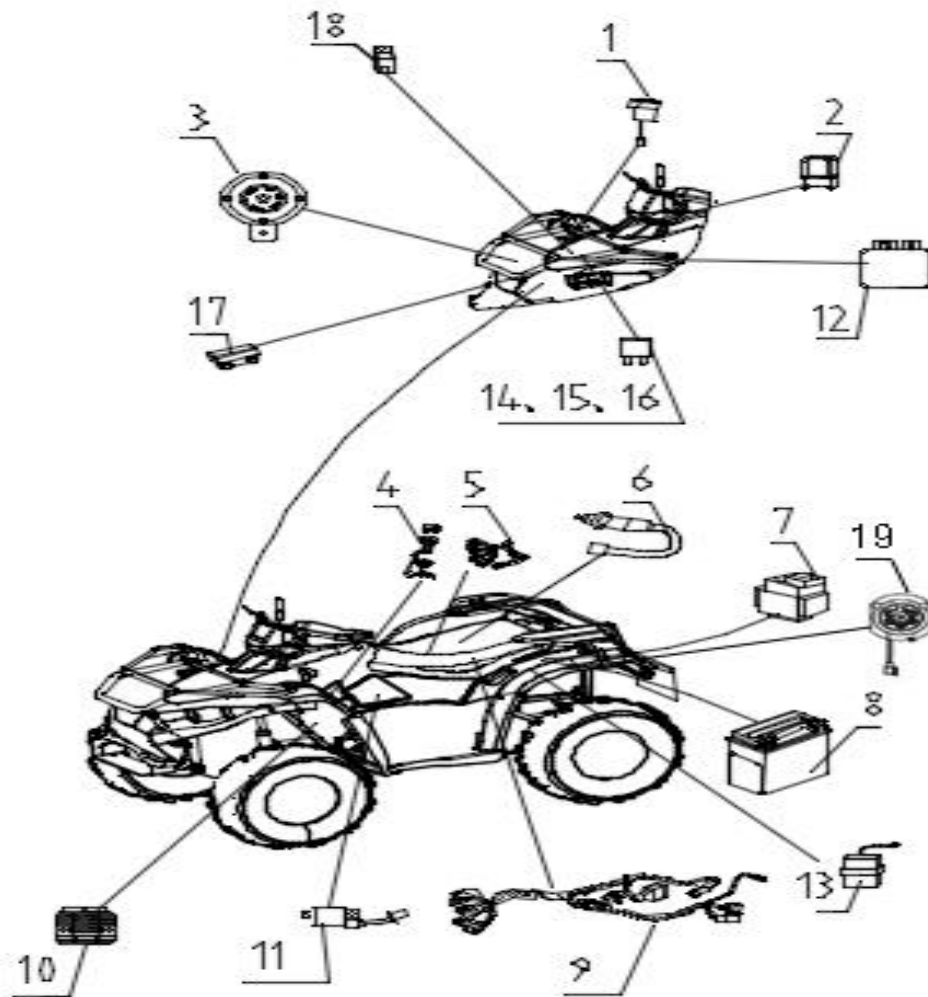


Fig No	PL-nummer	Varunamn	Art name	Oe-ref	Antal/Qty
1	9058077	Blinkersrelä	FLASHER RELAY ASSY	26456	1
2	9049303	Relä EFI	EFI RELAY	71474	1
3	9030782	Signal	HORN	32029	1
4	9049363	12V uttag	ACCESSORY SOCKET ASSY	71973	1
5	9064252	Kabelnät insprutningssystem	EFI WIRE	27682	1
6	9049266	Kontakt bromsljus	BRAKE SWITCH (USED FOR WATERPROOF	70405a	1
7	9049388	Startrelä	STARTER RELAY	71602	1
8	9031775	Batteri	BATTERY	25337	1
9	9064253	Kabelnät komplett	WIRING HARNESS(FOR EFI EUROPE)	25328	1
10	9049505	Laddrelä	REGULATOR RECTIFIER	71603	1
11	9049476	Tändspole	IGNITION COIL	70822D	1
12	9055603	Styrbox - obegränsad	ECU unlimited	35743	1
12	9061671	Styrbox - begränsad till 43 km/h	ECU limited 43 km/t	25329	1
12	9061672	Styrbox - begränsad till 40 km/h	ECU limited 40 km/t	25330	1
13	9029661	Alarm för backning	REVERSE GEAR WARNING	32038	1
14	9037547	Säkring 15Amp	15 AMP FUSE	22020	3
15	9037547	Säkring 5Amp	5 AMP FUSE	22021	1
16	9037547	Säkring 10Amp	10 AMP FUSE	84273	2
17	9039720	Kontakt	ELECTRICAL DUMPAGE SWITCH	70968	1
17	N.A		ELECTRICAL DUMPAGE SWITCH	72278	1
18	9057196	Startrelä	START RELAY (NEW) (CONTROL HIGH BEAM AND DIPPED BEAM)	35656	3
19	9060251	Stickkontakt släp	TRAILER CONNECTOR	84432	1

Fig 19

Bromssystem / Brake system (FOR EUROPE)

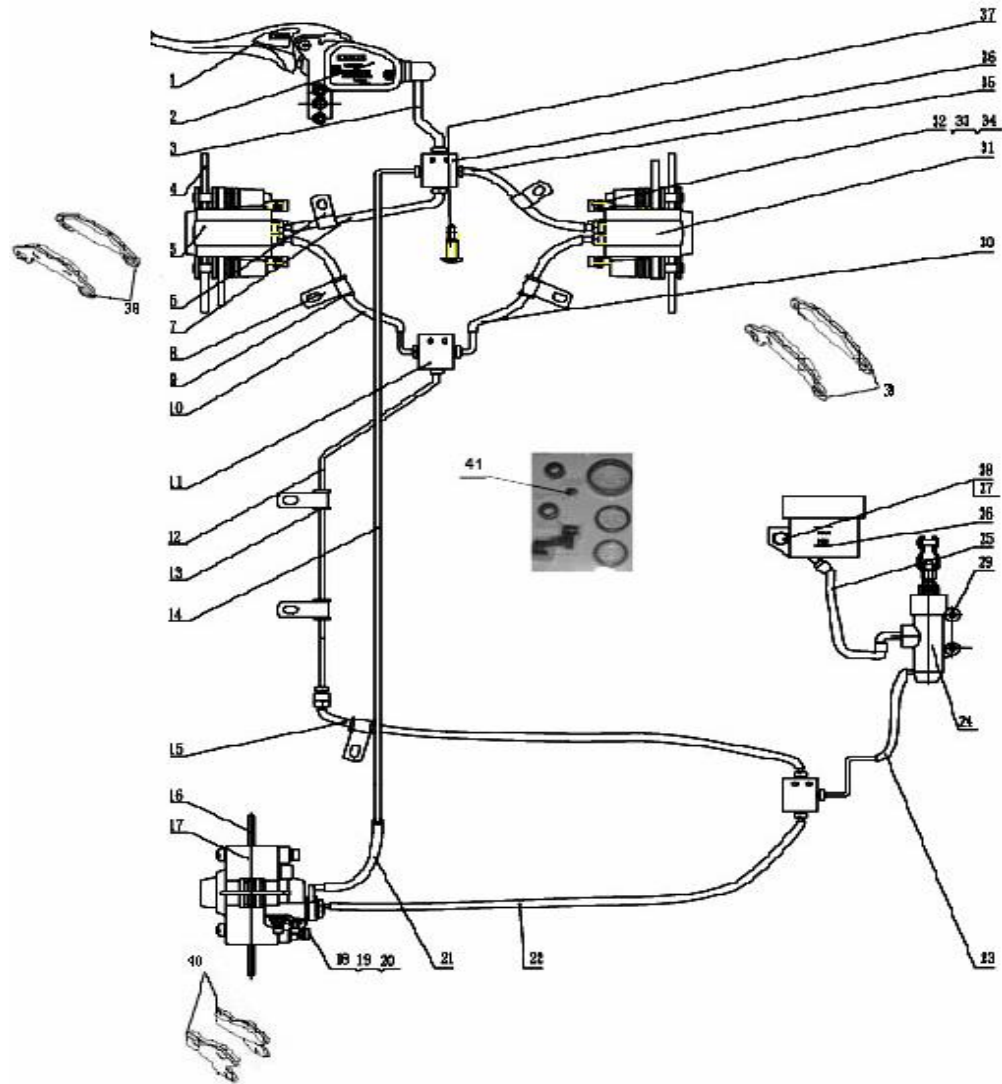
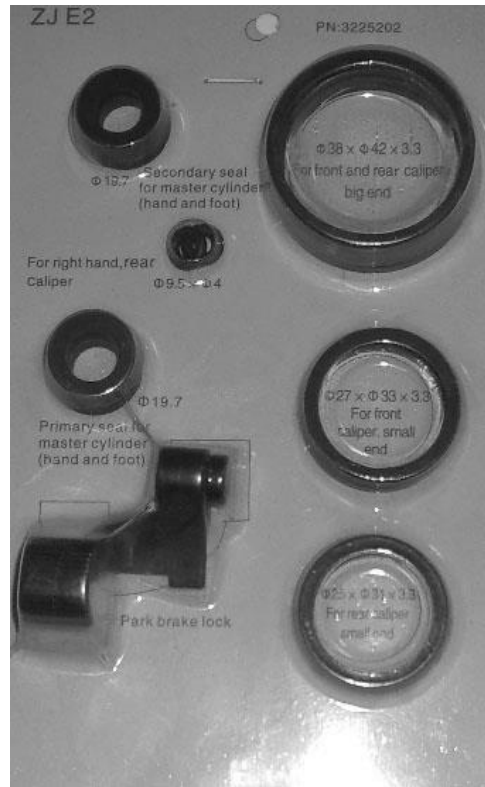


Fig No	PL-nummer	Varunamn	Art name	Oe-ref	Antal/Qty
1	9029827	Bromshandtag v löst "endast handtag"	BRAKE LEVER L	2211120	1
2	9035108	Bromshuvudcylinder	MASTER CYLINDER	22101	1
3	N.A		HAND BRAKE HOSE	27683	1
4	9030084	Bromsskiva - främre	FRONT BRAKE DISC	22226	2
5	9030106	Bromskaliber vänster fram	BRAKE CALIPER LEFT	32205A	1
6	N.A		CLAMP	21811	2
7	9029689	Bromsslang vänster fram	FRONT BRAKE HOSE 2	22229	1
8	N.A		CLAMP	32104	5
9	9034418	Gummidel	RUBBER TUBE1	32105	3
10	N.A		FRONT BRAKE HOSE1	25269	1
11	N.A		BRAKE LINE COUPLER	25270	2
12	9029673	Bromsrör bak till fram	TUB DISKBRAKE FRONT	32108	1
13	9049239	Gummibussning	RUBBER TUBE2	32109	2
14	9030680	Bromsslang - bakre	REAR BRAKE HOSE	22103	1
15	9030744	Bromsslang - främre	FRONT BRAKE HOSE	25121	1
16	9029686	Bromsskiva - bakre	REAR DISC BRAKE	32115	1
17	9030681	Bromskaliber bakre	REAR BRAKE CALIPER	22105	1
18	N.A		BOLT M10X1.25X83	10102	2
19	9031005	Mutter M10X1,25	NUT M10X1.25	10015	2
20	9050203	Planbricka M10	WASHER 10	10019	2
21	9030778	Bromsslang - bakre 2	REAR BRAKE HOSE 2	25240	1
22	9030779	Bromsslang - bakre 3	REAR BRAKE HOSE 3	25242	1
23	9030745	Bromsslang - fotbroms	FOOT BRAKE HOSE	25122	1
24	9029684	Huvudcylinder fotbroms	REAR BRAKE CYLINDER	25265	1
25	N.A		RESERVOIR HOSE	25262	1
26	9030105	Bromsvätskebehållare	RESERVOIR	25299	1
27	N.A		NUT M5	10109	1
28	N.A		BOLT M5X12	10108	1
29	9034625	Bult M6X20	BOLT M6X20	10110	2
30	9029682	Bromsslang - främre höger + vänster	FRONT BRAKE HOSE2	25225	1
31	9030104	Bromskaliber främre höger	BRAKE CALIPER RIGHT	32231A	1
32	N.A		BOLT M8X25	10105	4

33	9050202	Planbricka M8	WASHER 8	10106	4
34	9050202	Planbricka M8	WASHER 8	10068	4
35	9029681	Bromsslang - höger främre	FRONT BRAKEHOSE 1	22228	1
36	9029680	t-del broms M10X1,0	BRAKE LINECOUPLER	22230	1
37	N.A		SCREW M5X15	10111	6
38	9029926	Bromsklossar set främre	CALIPER)	22245	2
40	9029917	Bromsklossar set bakre	CALIPER)	22111	1
41	9030748	Reperationsset för kaliber	ZJ E2 Service Kit (FOR EUROPE)	32252	1

Fig 20

Rep set/ Service kit brakes



Observera: Service Kit

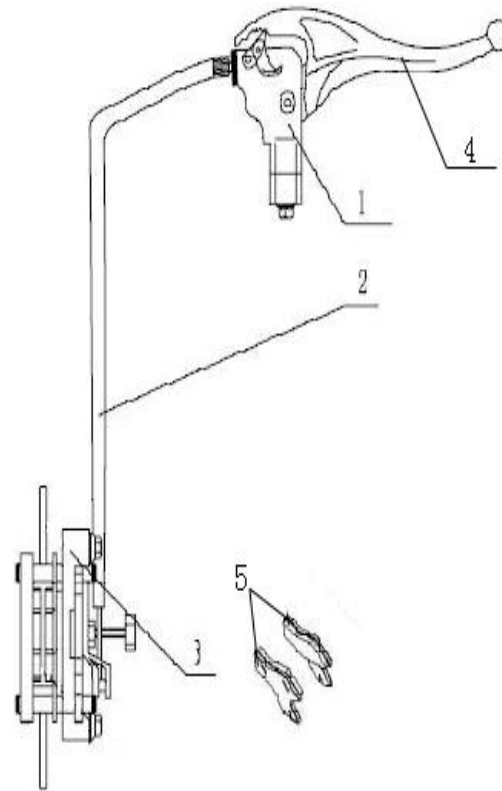
- ▲Använd endast set som är avsedd för din modell
- ▲Felaktigt set kan medföra skador på maskinen
- ▲Service måste göras av auktoriserad verkstad

Service Kit innehåller packningar, O-ringar för kaliber och cylinder och för parkeringsbroms/hydraulisk parkeringsbroms

Fig No	PL-nummer	Varunamn	Art name	Oe-ref	Antal/Qty
1	9039453	Reperationsset bromskaliber	ZJ E2 Service Kit (FOR EUROPE)	32252	1
1			ZJ USA Service Kit (FOR USA)	25135	1

Fig 21

Handbromssystemet/Parking system (FOR EUROPE)



NOTE :

THERE ARE TWO FACTORY CODE ON THE REVERSE SIDE OF THE HANDLE LEVER, WHEN YOU ORDER ANY PART OF THE BREAK SYSTEM, PLEASE MARK THE FACTORY CODE?ZJ OR SD?

Fig No	PL-nummer	Varunamn	Art name	Oe-ref	Antal/Qty
1	9050391	Bromshandtag	MASTER CYLINDER	27625	1
2	9030750	Bromskabel	BRAKE CABLE	25138	1
3	9030751	Bromskaliber	BRAKE CALIPER	25139	1
4	9030752	Bromsgrepp löst	BRAKE LEVER R	25140	1
5	9030753	Bromsklossar set	INSIDE AND OUTSIDE PAD	25141	1

Fig 22

Bromspedal/ Pedal brake

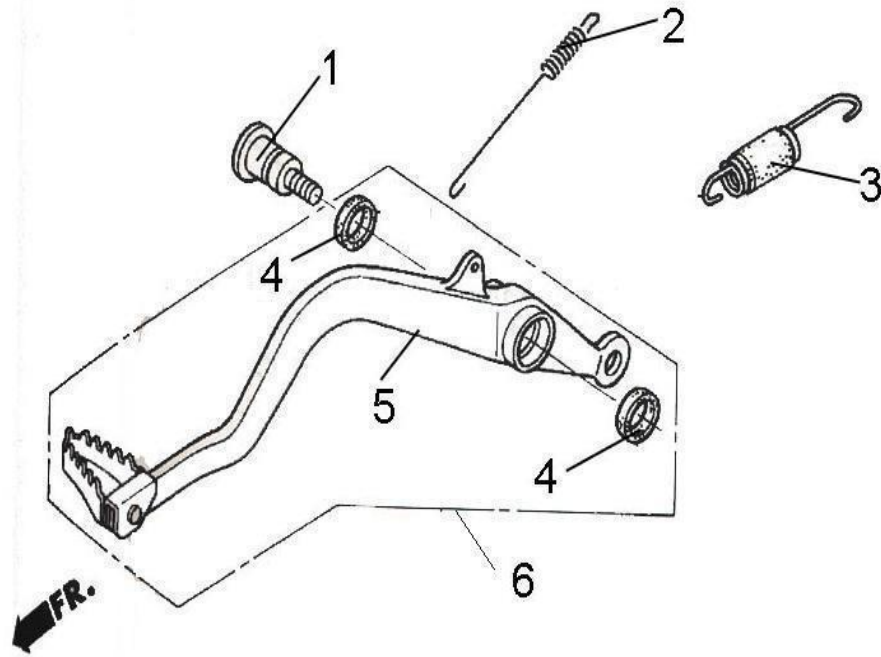


Fig No	PL-nummer	Varunamn	Art name	Oe-ref	Antal/Qty
1	9039640	Bult spec/för bromsarm	SHAFT,BRAKE PIVOT	70542	1
2	9029723	Fjäder för bromsljuskontakt	SPRING,STOP SWITCH	32246	1
3	9029986	Fjäder för pedel	SPRING ASSY	25539	1
4	9039638	Packbox för pedalaxel 15X20	DUST SEAL	70540	2
5	N.A		PEDAL BRAKE	25146	1
6	9030756	Bromspedal set	PEDAL BRAKE ASSY	25147	1

Fig 23

Kofångare&bagagegaller/Bumper & Rack

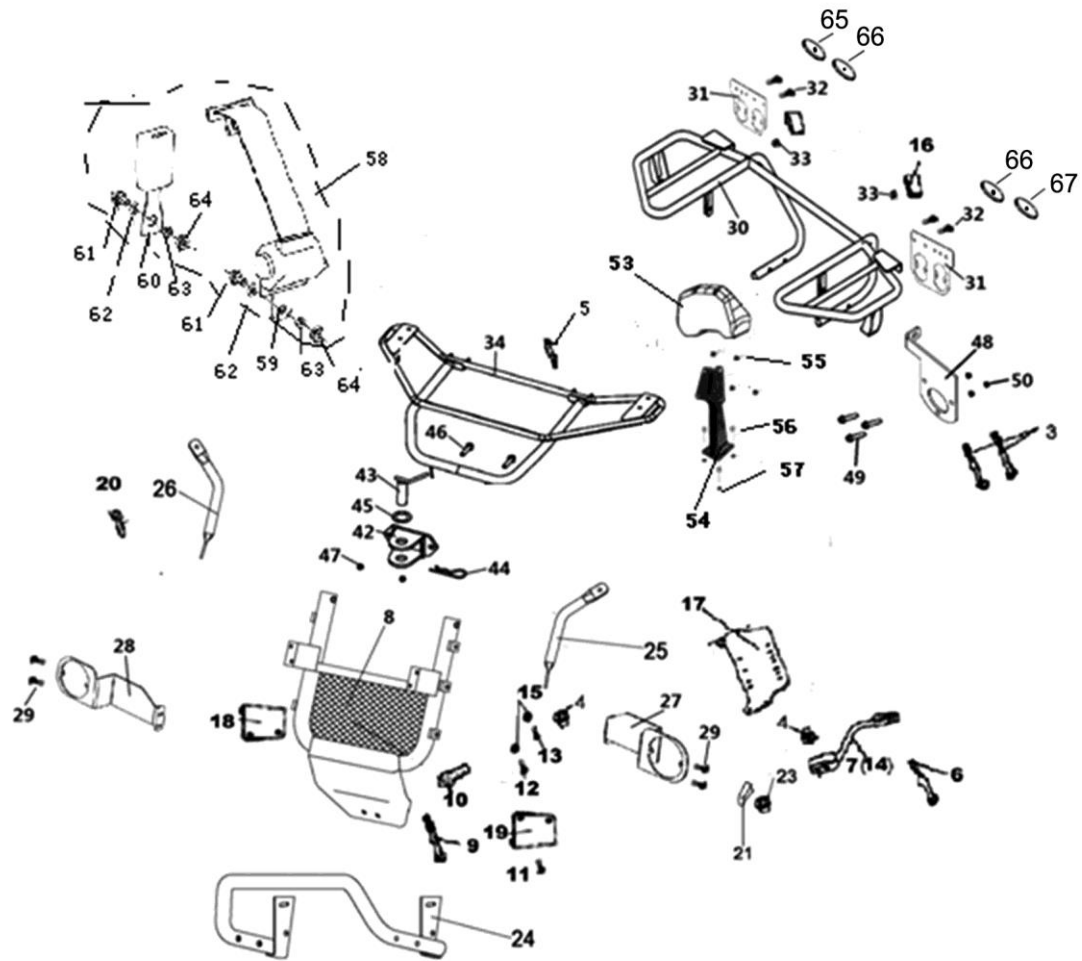


Fig No	PL-nummer	Varunamn	Art name	Oe-ref	Antal/Qty
3	9033869	Bult M8X45	BOLTM8X45	10055	4
4	9050207	Mutter M8	NUT M8	10079	4
5	9033887	Bult M8X25	BOLT M8X25	10059	2
6	N.A		BOLT M8X85	25150	2
7	N.A		TRESTLE 1 LEFT (FOR EUROPE)	27440	1
8	9050392	Front galler	BUMPER BRACKET	27626	1
9	9050236	Bult M8X70	BOLT M8X70	25056	4
10	9033887	Bult M8X25	BOLT M8X25	10059	2
11	N.A		BOLT M8X55	29506	4
12	9050231	Bult M8X20	BOLT M8X20	10081	2
13	9033887	Bult M8X25	BOLT M8X25	10059	2
14	N.A		TRESTLE 1 RIGHT (FOR EUROPE)	27442	1
15	9050202	Planbricka M8	WASHER 8	26009	4
16	N.A		FRONT REFLECTER	35705	2
17	9057213	Beslag bagagegaller	BRACKET,PULLING	70366	1
18	9057214	Hållare för beslag höger	HOLDER,R.PULLIN BRACKET	27387	1
19	9057215	Hållare för beslag vänster	HOLDER,L.PULLIN BRACKET	27386	1
20	9034420	Bult M6X12	BOLT M6X12	10140	4
24	N.A		FRONT BUMPER	25331	1
25	N.A		FRONT SUPPORT TUBE,L	27444	1
26	N.A		FRONT SUPPORT TUBE,R	27445	1
27	9050393	Beslag för blinkljus - vänster	FRONT INDICATOR LIGHT BRACKET,L	27627	1
28	9050394	Beslag för blinkljus - höger	FRONT INDICATOR LIGHT BRACKET,R	27628	1
29	9034190	Bult M6X16	BOLT M6X16	10183B	4
30	9039429	Bagagegaller bak från 2018>	REAR RACK	25300	1
31	9050396	Beslag för baklykta H+V	BRACKET,TAILLIGHT	27631	2
32	9034190	Bult M6X16	BOLT M6X16	10183B	4
33	9050206	Mutter M6	NUT M6	10004	4
34	9050387	Bagagegaller främre T3	FRONT RACK	27632	1
42	N.A		FOTMER DRAG HOOKS	84234	1
43	N.A		EX REACTION PINS	84235	1
44	N.A		R TYPE SPLIT PINS 6X115	10862	1

45	9058067	Gummidämpare	CUSHION RUBBER, FOTMER DRAG HOOKS	84231	1
46	N.A		SCREW M16X42	10934	2
47	9050210	Mutter M6	NUT M16	10874	2
48	N.A		BRACKET,OUTPUT SOCKET	71070	1
49	N.A		SCREW M6X38	10935	3
50	9050206	Mutter M6	NUT M6	10004	3
53	9058055	Ryggstöd	BACKREST	35721	1
54	9057217	Beslag till ryggstöd	REAR BACKREST WELD ASSEMBLY	35384	1
55	9050207	Mutter M8	NUT M8	10919	4
56	9033887	Bult M8X25	BOLT M8X25	10059	4
57	9050207	Mutter M8	NUT M8	10079	4
58	9058057	Bälte	Belt components	84380	1
59	N.A		Belt	84382	1
60	N.A		Lock,Belt	84381	1
61	9034609	Bult	Bolt	26916	4
62	9034610	Fjäderbricka	Spring Washer	26917	8
63	9034611	Bricka	Washer	26918	8
64	9034612	Mutter	Nut	26919	8
65	9049707	Blinklykta bak - Höger	RIGHT REAR INDICATION LIGHT	73319	1
66	9049708	Baklykta - Röd	TAILLIGHT	73320	2
67	9049709	Blinklykta bak - Vänster	LEFT REAR INDICATION LIGHT	73324	1

Fig 24

Tillbehör/Options

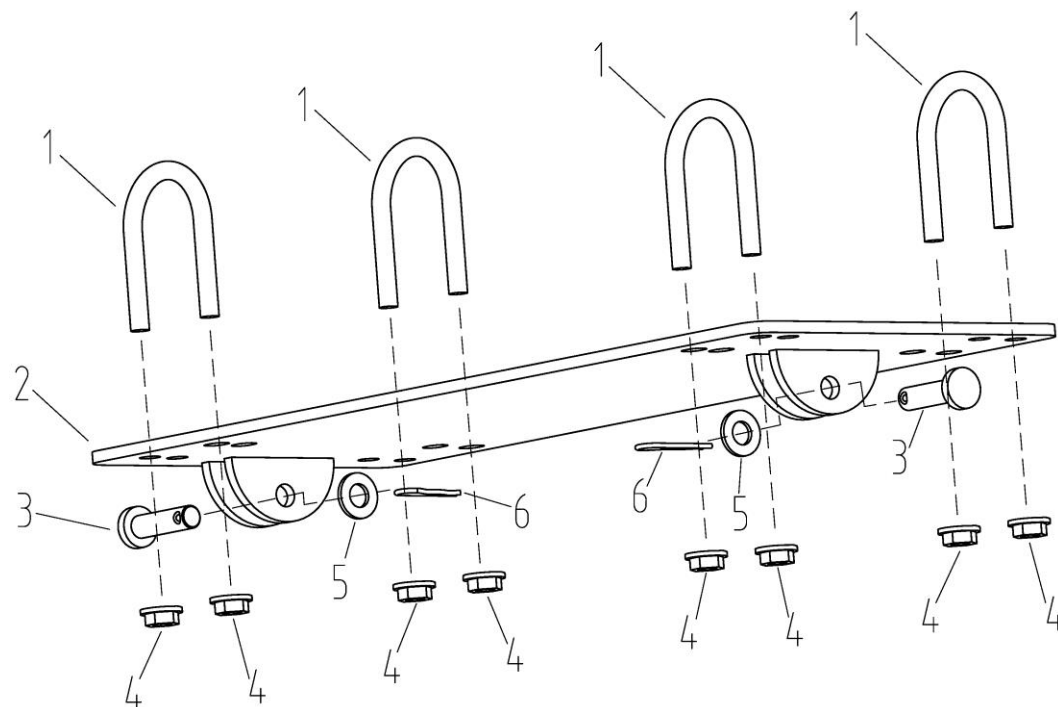


Fig No	PL-nummer	Varunamn	Art name	Oe-ref	Antal/Qty
1	N.A		U-BOLT	25652	4
2	N.A		SNOW SHOVEL MOUNTING PLATE (FOR FINLAND)	25650	1
3	N.A		HINGE PIN	25651	2
4	9050207	Mutter M8	NUT M8	10079	8
5	N.A		GASKET 10	11197	2
6			R COTTER PIN	11400	2

PARTS MANUAL

Motor/engine

LH300ATV-D EFI T3a & T3b



Fig 25

Cylinder/cylinder

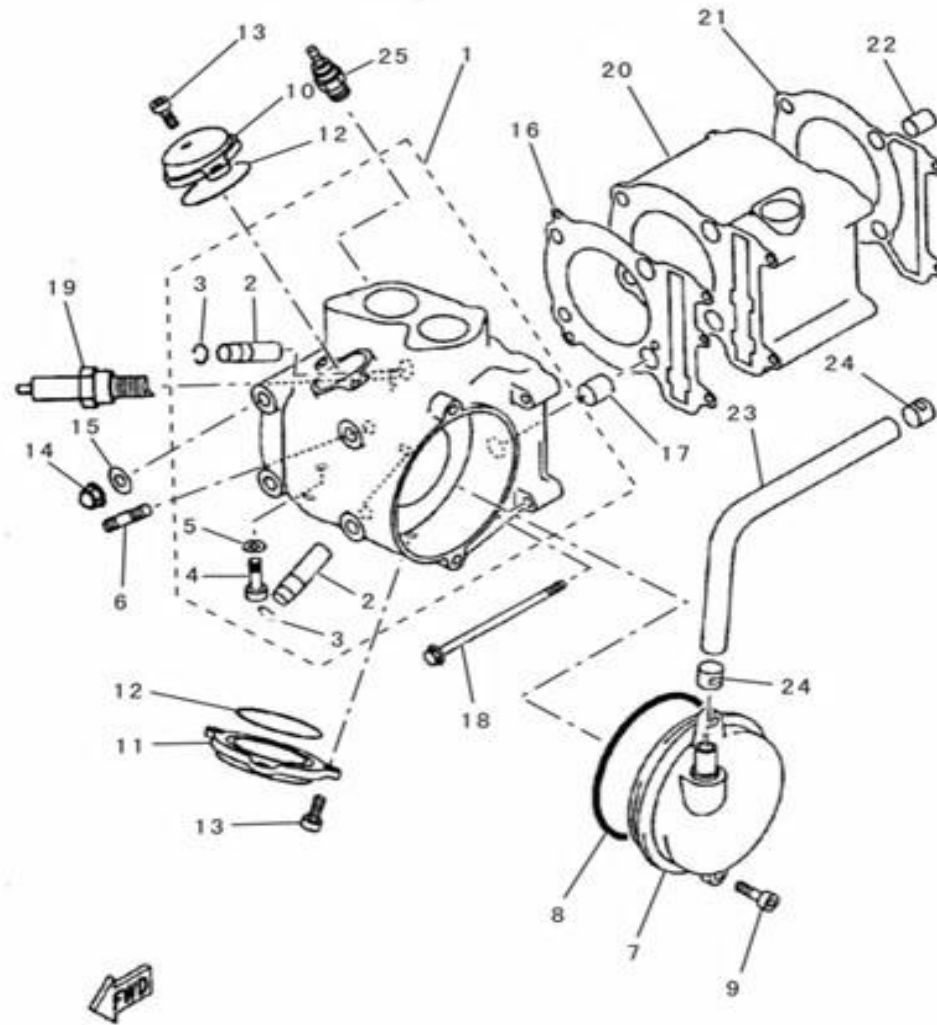


Fig No	PL-nummer	Varunamn	Art name	Oe-ref	Antal/Qty
1	9061407	Cylinderhuvud	CYLINDER HEAD ASSY	25332	1
2	9034729	Ventils	GUIDE INTAKE VALVE	22402	2
3	9034736	Låsring 12	CIRCLIP 12	10112	2
4	9034737	Bult M6X12	BOLT M6X12	10086	1
5	9029736	Packning M6	GASKET 6	22810	1
6	9034739	Stödbult M8X25	BOLT STUD M8X25	10014	2
7	N.A		BREATHER ASSY	25604	1
8	9034741	O-Ring 95X3,3	O-RING 95X3.3	22408	1
9	9034722	Bult M6X20	BOLT SOCKET HEAD M6X20	10008	2
10	9030685	Ventillock insugning	VALVE COVER INTAKE SIDE	22410	1
11	9030686	Ventillock Avgas	VALVE COVER EXHAUST SIDE	22411	1
12	9029733	Ventillock packning - O-ring 57,5X2,3	O-RING 57.5X2.3	22412	2
13	9034722	Bult M6X20	BOLT SOCKET HEAD M6X20	10008	5
14	9034723	Mutter M8 stängd	NUT CROWN M8	22414	4
15	9034724	Tättningsbricka	WASHER PLATE 8	22415	4
16	9029734	Toppackning 300cc	GASKET CYLINDER HEAD2 (FOR ATV300)	22416a	1
17	9034726	Styrtapp 14X16	PIN DOWEL 14X16	22417	2
18	9034727	Bult "flange" M6X120	BOLT FLANGE M6X120	22418	2
19	9030273	Tändstift	PLUG SPARK(NGK DR8EA)	22419	1
20	9029608	Cylinder 300cc	CYLINDER (FOR ATV300)	22420a	1
21	9029735	Cylinderpackning	GASKET CYLINDER	22421	1
22	9034732	Styrtapp 10X14	PIN DOWEL 10X14	22422	2
23	9034733	Slang	PIPE BREATHER1	22423	1
24	9021812	Clips	CLIP 12MM	43514	2
25	9057492	Temperaturmätare vatten	THERMO UNIT	35095e	1

Fig 26

Vevhus/Crankshaft Comp

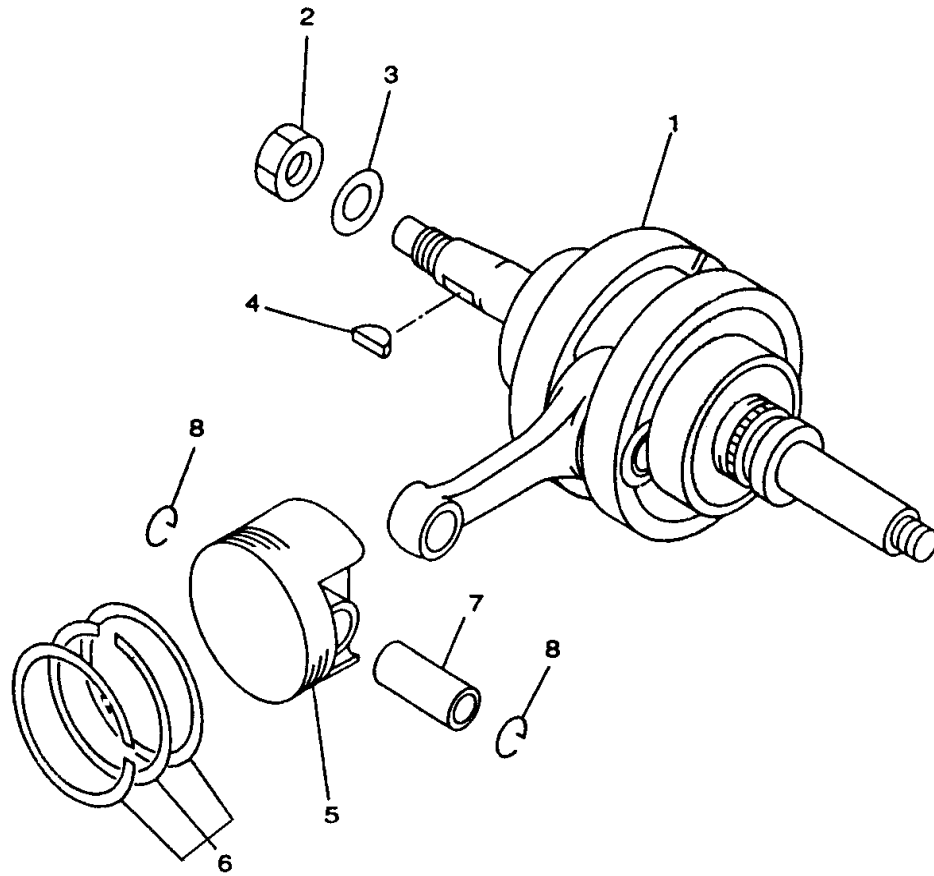


Fig No	PL-nummer	Varunamn	Art name	Oe-ref	Antal/Qty
1	9034746	Vev komplett	CRANKSHAFT ASSY	22501	1
2	9040275	Mutter för vev	NUT M16X1	22502	1
3	9034750	Bricka	WASHER PLATE 16	22503	1
4	9029742	Kil halvmåne	KEY WOODRUFF	22504	1
5	9030093	Kolv 260cc	PISTON	22505	1
	9030108	Kolv 300cc	PISTON (FOR ATV300)	22505A	1
6	9030077	Kolvringar 260cc	PISTON RING SET	22506	1
	9029705	Kolvringar 300cc	PISTON RING SET (FOR ATV300)	22506a	1
7	9029706	Kolvstift	PISTON PIN	22507	1
8	9029838	Låsring	CLIP	22508	2

Fig 27

Ventiler/Valve

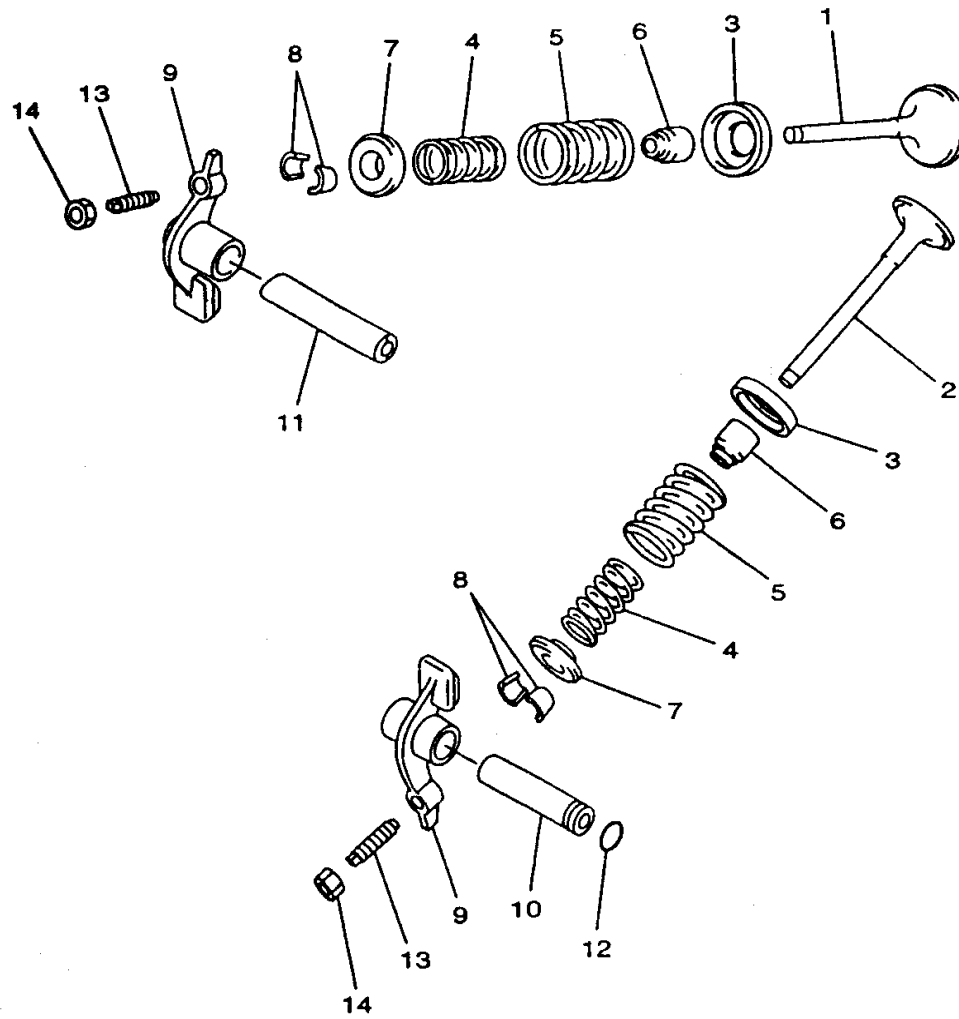


Fig No	PL-nummer	Varunamn	Art name	Oe-ref	Antal/Qty
1	9029707	Insugningsventil	INTAKE VALVE	22601	1
2	9029708	Avgasventil	EXHAUST VALVE	22602	1
3	9034774	Ventilfäste	SEAT SPRING VALVE	22603	2
4	9029709	Ventilfjäder invändig	SPRING VALVE INNER	22604	2
5	9029710	Ventilfjäder utvändig	SPRING VALVE OUTER	22605	2
6	9029840	Ventil packbox	SEAL VALVE STEM	22606	2
7	9029711	Ventillås bricka	RETAINER SPRING VALVE	22607	2
8	9029841	Ventillås 1 st (maskinen kräver 2 st)	COTTER VALVE	22608	4
9	9030041	Vipp arm	ROCKER ARM VALVE	22609	2
10	9034766	Vipparms axel avgående	EXHAUST ROCKER SHAFT	22610	1
11	9034767	Vipparms axel insug	INTAKE ROCKER SHAFT	22611	1
12	9029839	O-ring 9X2	O-RING 9X2	22612	1
13	9029743	Ventil justerskruv	ADJUSTING SCREW VALVE	22613	2
14	9029744	Mutter M6X0,75	NUT M6X0.75	22614	2

Fig 28

Kedja och tillbehör/Camshaft&chain

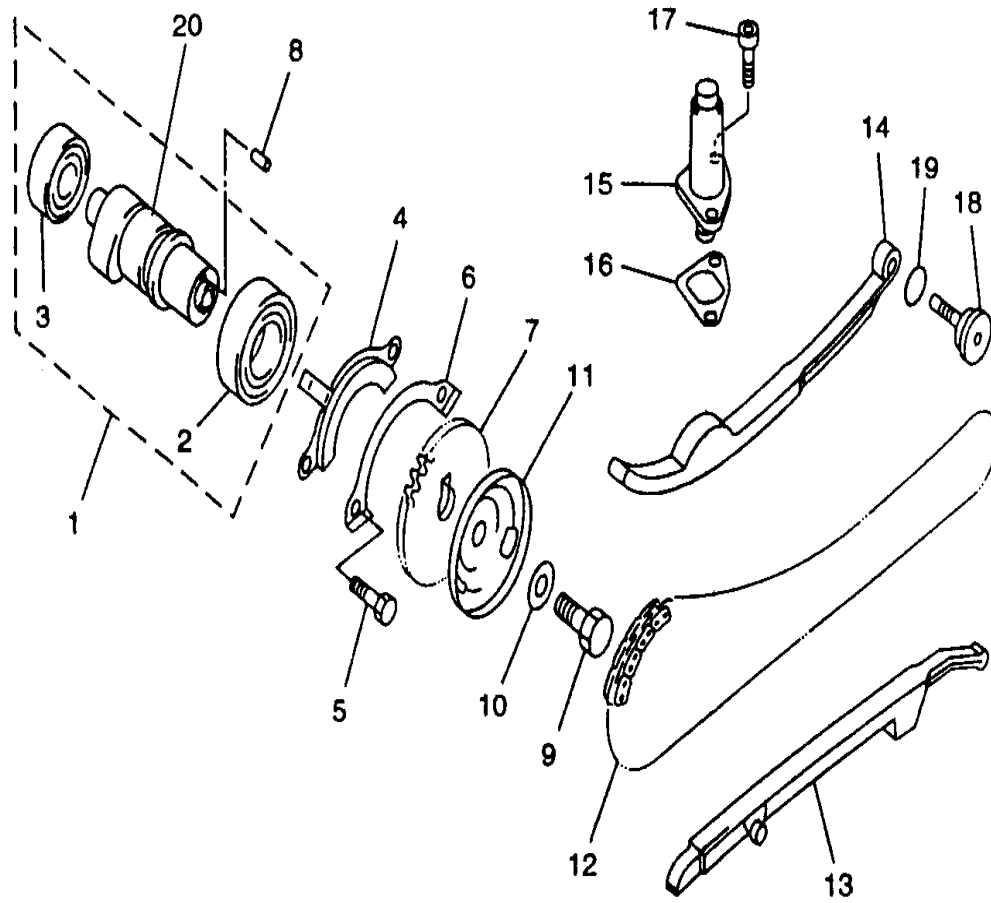


Fig No	PL-nummer	Varunamn	Art name	Oe-ref	Antal/Qty
1	N.A		CAMSHAFT ASSY1	22701	1
2	N.A		BEARING	10012	1
3	N.A		BEARING(B6202Z)	10013	1
4	N.A		PLATE	22704	1
5	N.A		BOLT M6X12	10128	2
6	N.A		LOCK WASHER	22706	1
7	9029582	Tandhjul kedja	CAM CHAIN SPROCKET	22707	1
8	N.A		DOWEL PIN B4X10	10124	1
9	N.A		BOLT M10X1.25X25	10025	1
10	N.A		WASHER PLATE 10	22710	1
11	N.A		BREATHER PLATE2	22711	1
12	9029578	Kedja	CHAIN	22712	1
13	9029579	Kedjestyre fast	GUIDE STOPPER1	22713	1
14	9059580	Kedjestyre rörlig	GUIDE STOPPER2	22714	1
15	9029973	Kedjespännare	CAM CHAIN TENSIONER ASSY	22715	1
16	9029747	Packning kedjespännare	GASKET TENSIONER CASE	22716	1
17	N.A		SOCKET HEAD BOLT M6X14	10036	2
18	9029748	Axelbult	CHAIN TENSIONER PIVOT BOLT	22718	1
19	9029749	O-ring 14,5X1,8	O-RING 14.5X1.8	22719	1
20	9029581	Kamaxel	CAMSHAFT	22720	1

Fig 29

Vattenpump/Waterpump

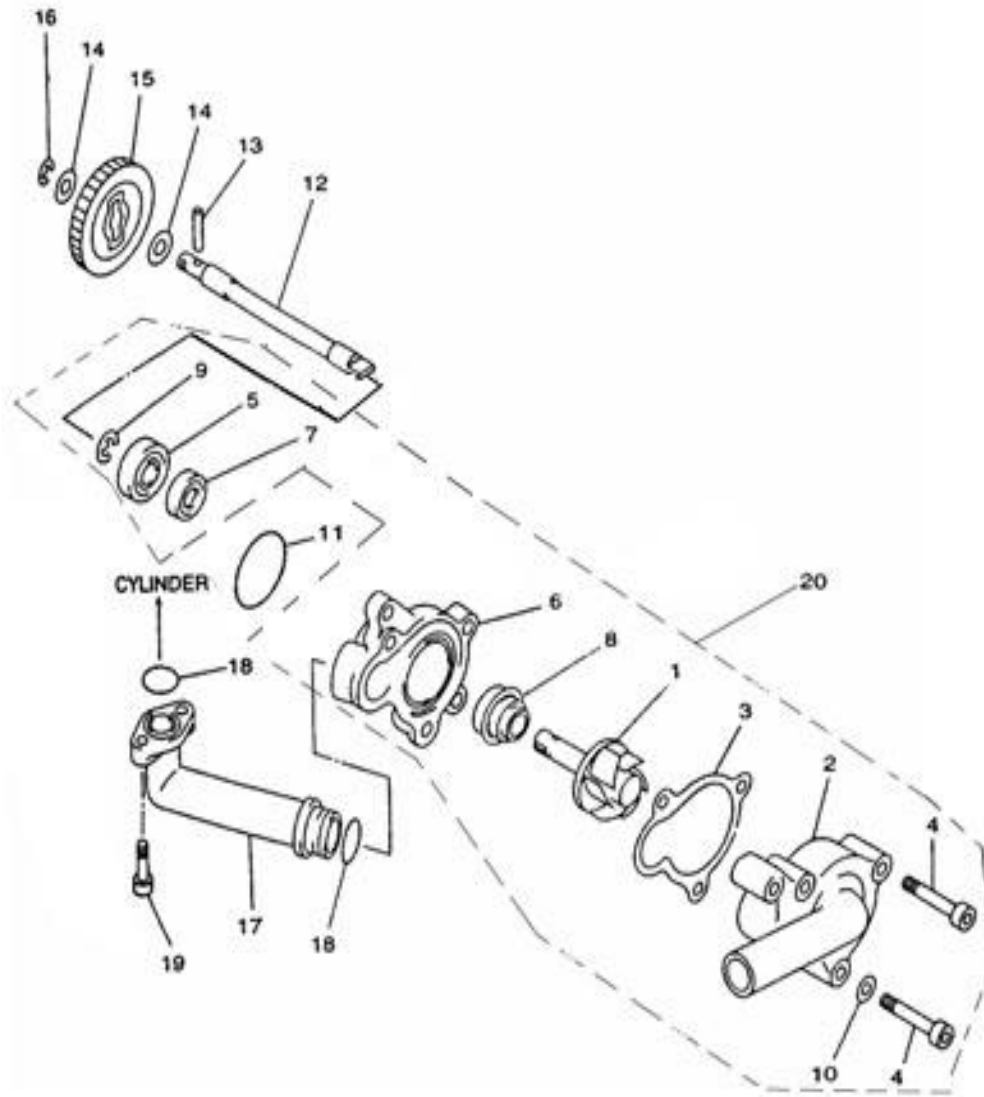


Fig No	PL-nummer	Varunamn	Art name	Oe-ref	Antal/Qty
1	9034806	Rotor till vattenpump	IMPELLER SHAFT ASSY (ADC12)	22801a	1
2	9034817	Hus för vattenpump	HOUSING COVER	22802	1
3	9030688	Packning	GASKET HOUSING COVER2	22803	1
4	N.A		SOCKET HEAD BOLT M6X35	10041	3
5	9034821	Kullager	BEARING	10043	1
6	N.A		WATER PUMP HOUSING	22806	1
7	9030689	Åackbox 10X21X5	OIL SEAL 10X21X5	22807	1
8	9030690	Kreramisk packning	MECHANICAL SEAL	22808	1
9	N.A		CIRCLIP 9	10044	1
10	9029736	Packning M6	GASKET 6	22810	1
11	9034808	O-Ring 33,5X2,65	O-RING 33.5X2.65	10049	1
12	9029974	Axel	SHAFT	22812	1
13	N.A		DOWEL PIN C3X22	10070	1
14	N.A		WASHER PLATE 8	22814	2
15	9029975	Tandhjul vattenpump	IMPELLER SHAFT GEAR	22815	1
16	N.A		CIRCLIP 8	10072	1
17	9029976	Vattenrör	JOINT (ADC12)	22817a	1
18	9029752	O-Ring 15,5X2,5	O-RING 15.5X2.5	10082	2
19	N.A		SOCKET HEAD BOLT M6X15	10083	2
20	9029977	Vattenpump komplett	WATER PUMP ASSY	22820	1

Fig 30

Kylsystem/radiator

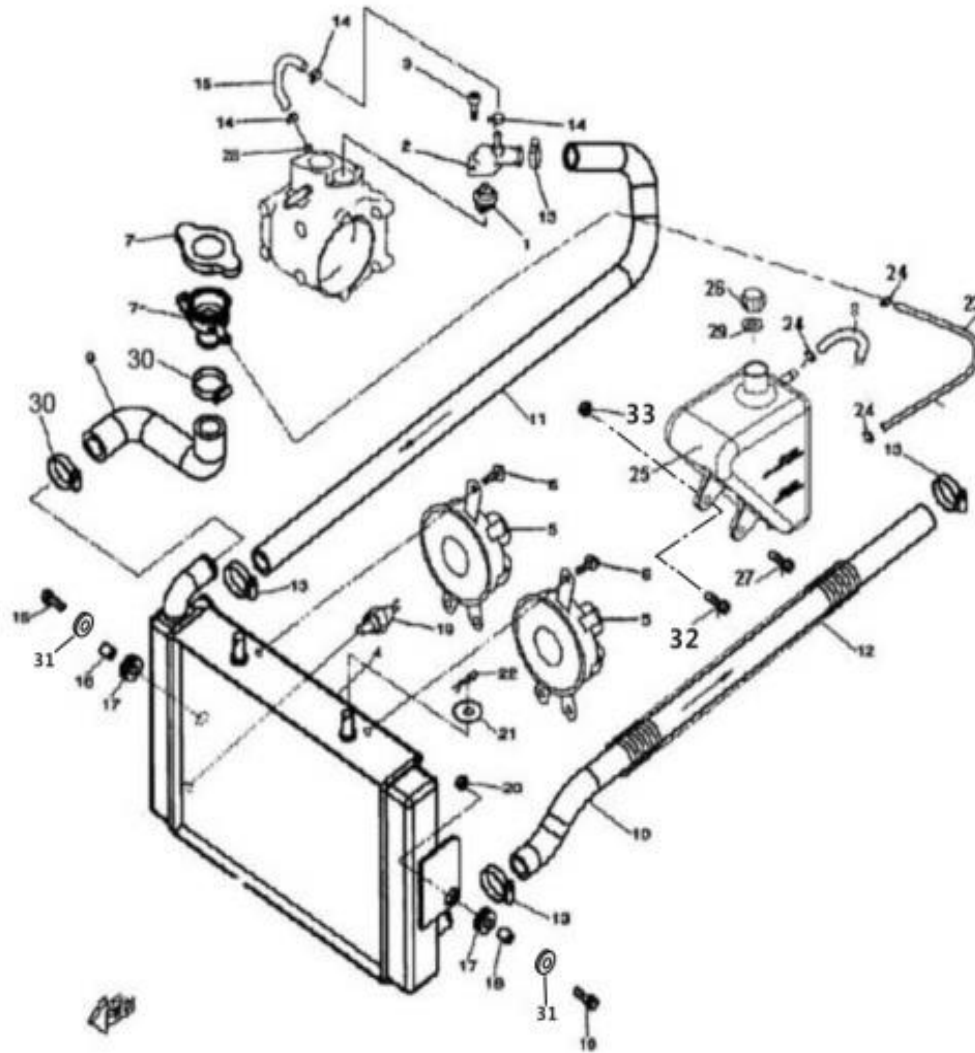


Fig No	PL-nummer	Varunamn	Art name	Oe-ref	Antal/Qty
1	9030110	Termostat	THERMOSTAT	22901	1
2	9029978	Termostathus	THERMOSTAT COVER	22902	1
3	9040315	Bult M6X25	SOCKET HEAD BOLT M6X25	10085	2
4	9029979	Kylare bred modell	RADIATOR ASSY (THICKER)	22904t	1
5	N.A		BLOWER ASSY (USED FOR WATERPROOF P	27451	2
6	N.A		FLANGE BOLT M6X9	10087	6
7	9030044	Skydd	SAFETY VALVE	22907a	1
8	N.A		PIPE 2	70341	1
9	9029845	Kylarslang /påfyllning	RADIATOR FILLER HOSE	22909f	1
10	9030767	Kylarslang /retur	RETURN HOSE	25193	1
11	9029843	Kylarslang/fram	FEED HOSE	22911	1
12	9029754	Skydds fjäder	COMPRESSION SPRING	22912a	2
13	9021800	Spännband 14-27	CLAMP 16/27	70140	4
14	9021813	Spännband 8-22	HOSE CLAMP2	22914	2
15	9029844	Slang	HOSE1	22915	1
16	9034139	Bult M6X30	BOLT M6X30	10182	2
17	9029755	Gummi hållare	RADIATOR SIDE SUPT GROMMET	22917	2
18	N.A		COLLAR	22918	2
19	9049423	Termostat för fläkt "vattentät kontakt"	THERMOSTAT SWITCH ASSYUSED FOR WAT	71932	1
20	9050206	Mutter M6	NUT M6	10004	2
21	9050203	Planbricka M10	WASHER PLATE 10	10019	2
22	9020536	Sprint M2X20	CLIP 2X20	10094	2
23	9030768	Slang	PIPE 1	70342	1
24	N.A		CLIP	22923	2
25	9047193	Expansionsbehållare med gänglås	TANK RECOVERY	70340	1
26	9047195	Lock med gänga	CAP	70338	1
27	N.A		BOLT FLANGE M6X16	10183	1
28	9060548	Anslutning	JOIN	23001	1
29	N.A		WASHER	70339	1
30	9021802	Spännband	CLAMP 20/32	70344	2
31	N.A		WASHER PLATE6	10006	2
32	9050223	Bult M6X40	BOLT M6X40	10177	1

33	9050206	Mutter M6	NUT M6	10103	1

Fig 31

Oljepump/oilpump

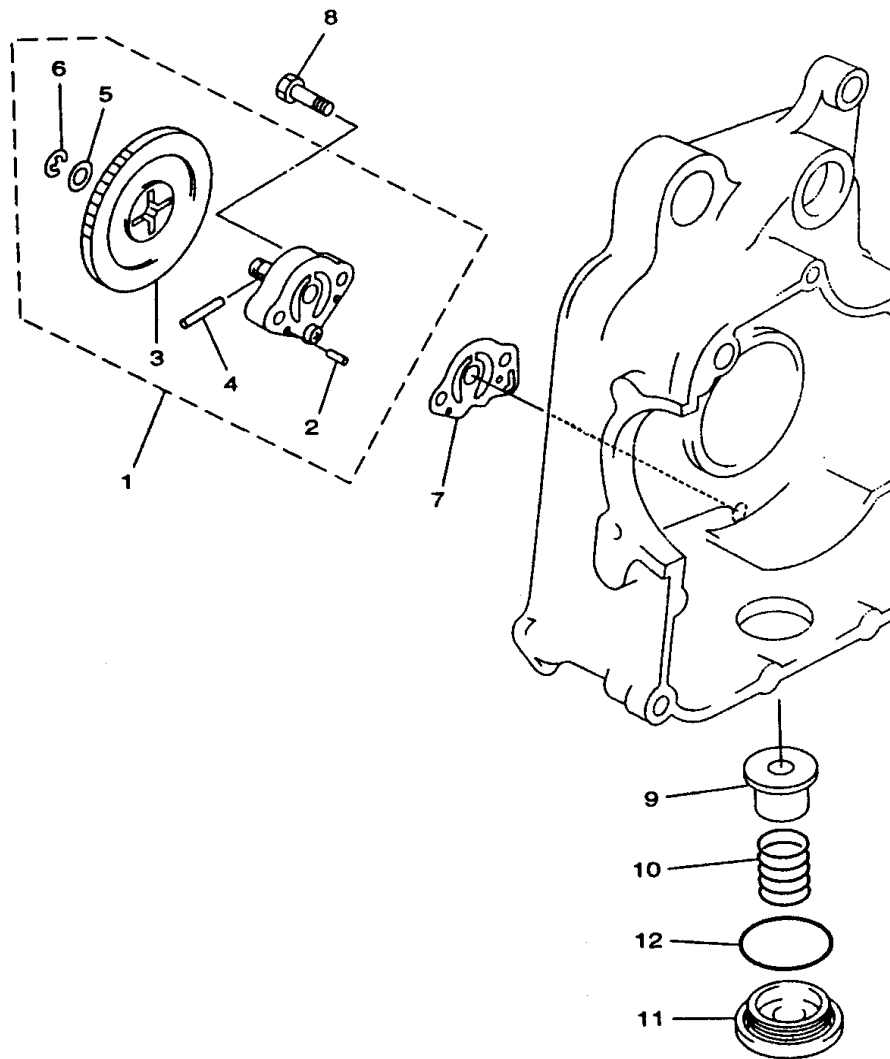


Fig No	PL-nummer	Varunamn	Art name	Oe-ref	Antal/Qty
1	9029583	Oljepump komplett	OIL PUMP ASSY	23101	1
2	9034831	Styrtapp	DOWEL PIN 3X12	10096	2
3	9034832	Tandhjul oljepump	GEAR PUMP DRIVEN	23103	1
4	N.A		DOWEL PIN C3X22		1
5	9034811	Bricka	WASHER PLATE	22814	1
6	9034835	Låsring	CIRCLIP	10130	1
7	9030691	Packning	GASKET	23107	1
8	N.A		SCREW M6X25	10946	2
9	9029769	Oljesil	OIL STRAINER	23109	1
10	9029980	Tryckfjäder	COMPRESSION SPRING	23110	1
11	9029981	Oljepropp	DRAIN PLUG	23111	1
12	9029760	O-ring 36X3,5	O-RING 36X3.5	23112	1

Fig 32

Luftfilter/Aircleaner

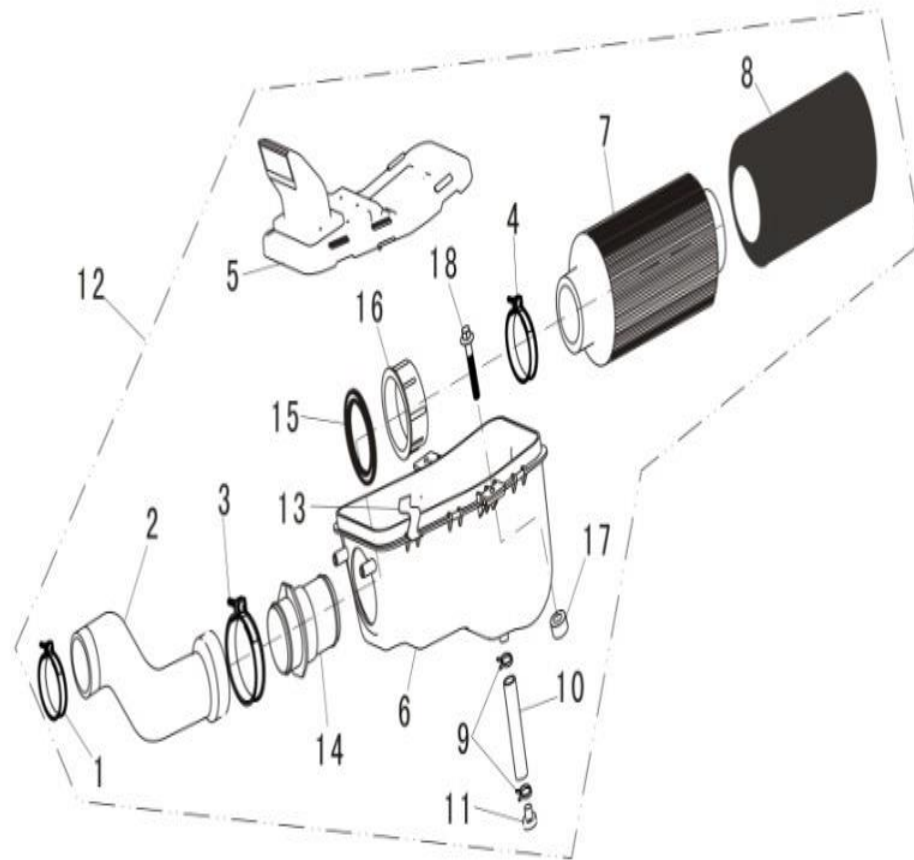


Fig No	PL-nummer	Varunamn	Art name	Oe-ref	Antal/Qty
1	N.A		HOSE CLAMP C	27695	1
2	N.A		AIR CLEANER JOINT	27696	1
3	N.A		HOSE CLAMP B	23208	1
4	9034669	Spännband för luftfilter	HOSE CLAMP A	23209	1
5	N.A		COVER AIR CLEANER	25333	1
6	9030112	Luftfilterhus	AIR CLEANER CASE1	23211	1
7	9029847	Luftfilter element	ELEMENT COMP AIR CLEANER	23212	1
8	9029905	Överdrag grovfilter	FILTER COVER	23213	1
9	9034666	Spännband	CLIP	23214	2
10	N.A		HOSE	27812	1
11	9034667	Propp	PLUG	23216	1
12	N.A		AIR CLEANER ASSY	25334	1
13	9030692	Clips för luftfilterskydd	AIR CLEANER COVER CLIP	23218A	6
14	N.A		JOINT, AIR CLEANER	25587	1
15	N.A		WASHER, AIR CLEANER	25588	1
16	N.A		JOINT FIXED, AIR CLEANER	25589	1
17	N.A		RUBBER WASHER	25600	2
18	9034139	Bult M6X30	BOLT M6X30	10182	2

Fig 33

Insugning& Gasspjäll/Fuel injection assy

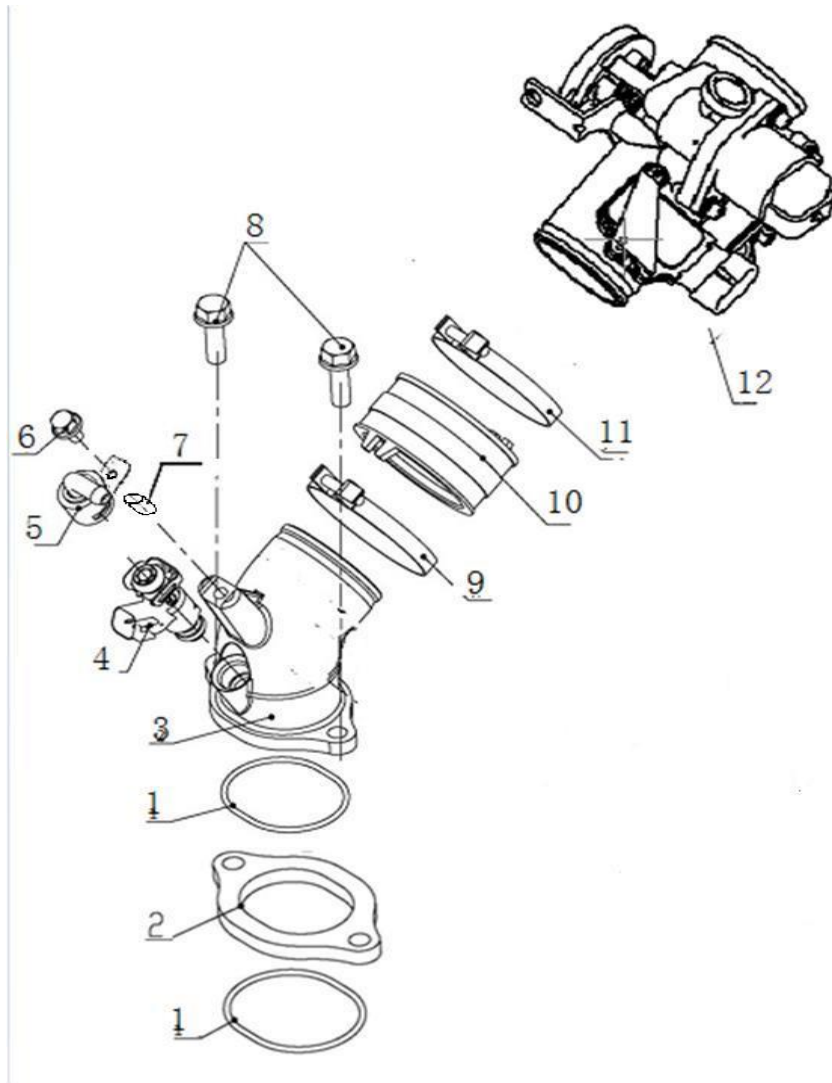


Fig No	PL-nummer	Varunamn	Art name	Oe-ref	Antal/Qty
1	9029848	O-ring	O-RING 35X2	23202	2
2	9040295	Fläns	JOINT	27225	1
3	9061410	Insugningstapp	FEED HOSE	27697	1
4	9062073	Insprutning munstycke	INJECTOR	27698	1
5	9062074	Anslutning till munstycke	INJECTOR CAP	27699	1
6	N.A		SCREW M6X25	11189	1
7	N.A		INJECTOR CAP BRACKET	46106	1
8	N.A		BOLT M6X22	10278	2
9	N.A		CLIP 49	27901	1
10	9061411	Förbindelseslang slang/spjällhus	JOINT,FEED HOSE	27902	1
11	N.A		CLIP 53	27903	1
12	9064384	Gasspjäll hus komplett	THROTTLE BODY ASSEMBLY	27857	1

Fig 34

Avgassystem/Exhaust

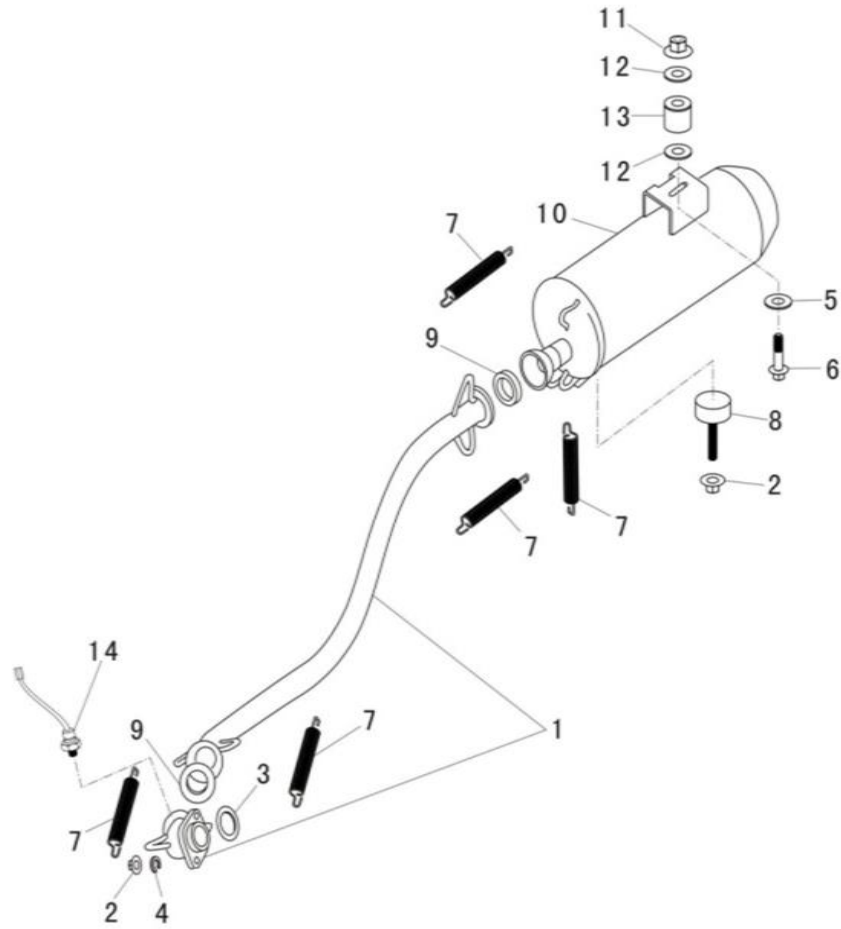


Fig No	PL-nummer	Varunamn	Art name	Oe-ref	Antal/Qty
1	9061398	Tillgångsrör till lambdasond EFI	EXHAUST PIPE 300Efi	25335	1
2	9050207	Mutter M8	NUT M8	10099	4
3	9029856	Avgas manifolds packning	EXHAUST PIPE GASKET	23403	1
4	9050202	Planbricka M8	WASHER 8	10106	2
5	9050203	Planbricka M10	WASHER PLATE 10	10117	1
6	9034641	Bult M10X62X1,25	BOLT FLANGE M10X1.25X62	10120	1
7	9029909	Fjäder	SPRING	23408	5
8	N.A		MUFFLER SUPPORT BOTTOM	25209	1
9	9030776	Packning konisk	JOUNT	25222	2
10	9030772	Ljuddämpare	MUFFLER	25203	1
11	9031005	Mutter M10X1,25	NUT M10X1.25	10015	1
12	9034618	Bricka	WASHER PLATE 16	10117	2
13	9029907	Gummidämpare/fäste	MUFFLER SUPPORT	23415	1
14	9039685	Lambdasond	SENSOR	70826	1

Fig 35

Vevhus/Crankcase

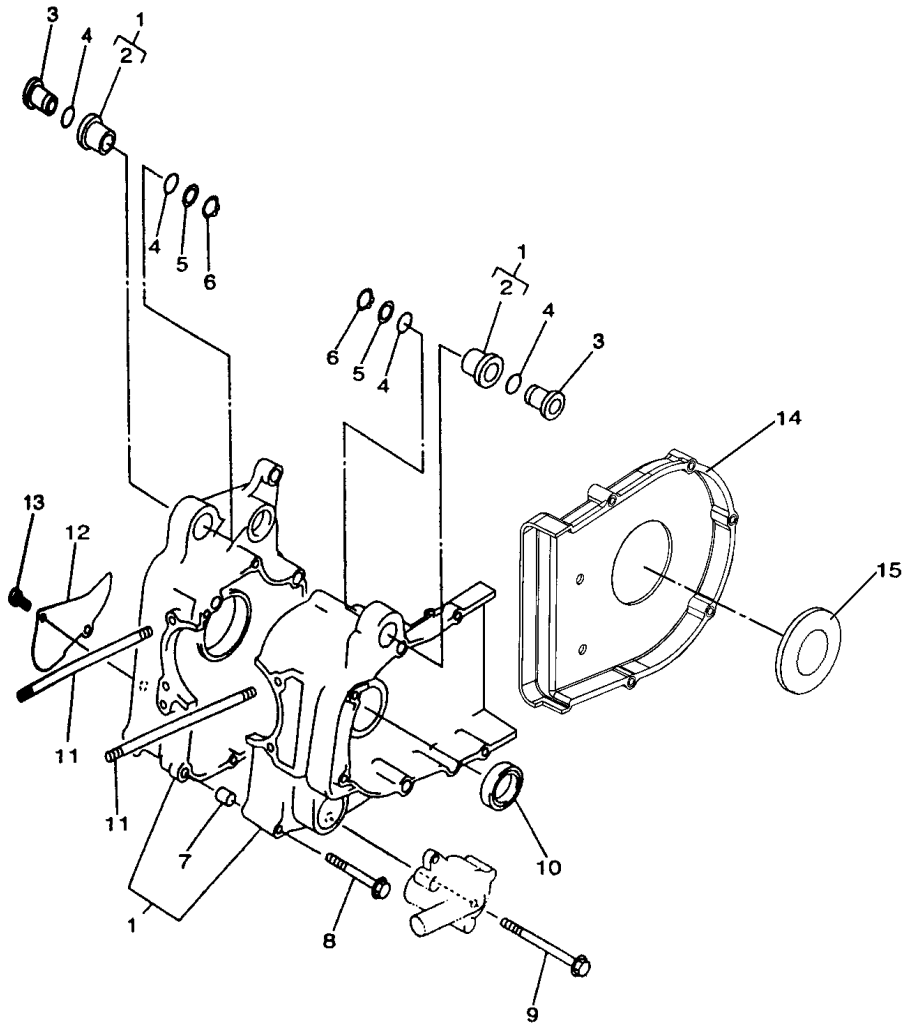


Fig No	PL-nummer	Varunamn	Art name	Oe-ref	Antal/Qty
1	9034853	Vevhus komplett	CRANKCASE ASSY	23501	1
2	9029857	Bussning 28X17X23	HOLDER	23502	2
3	9029858	Bussning17X10X29	COLLAR	23503	2
4	9029859	O-ring 16X2,5	O-RING	23504	4
5	9034863	Bricka	WASHER PLATE 16	23505	2
6	9034864	Låsring	CIRCLIP 16	10121	2
7	9034732	Styrtapp	DOWEL PIN 10X14	22422	2
8	9034866	Bult M6X70	FLANGE BOLT M6X70	23508	4
9	9030873	Bult M6X100	FLANGE BOLT M6X100	23509	5
10	9035871	Packbocx vänster	OIL SEAL 30X45X5	23510	1
11	9034855	Stödbult M8X245	STUD BOLT M8X245	23511	4
12	9034856	Skydd höger sida	COVER CRANKCASE RIGHT	23512	1
13	9034793	Bult M6X14	SOCKET HEAD BOLT M6X14	10036	2
14	9034858	Sidoskydd invändig höger bak	REAR INSIDE COVER	23514F	1
15	9034859	Tättningspropp	SEALING	23515	1

Fig 36

Sidoskydd H & V /Left &Right Cover

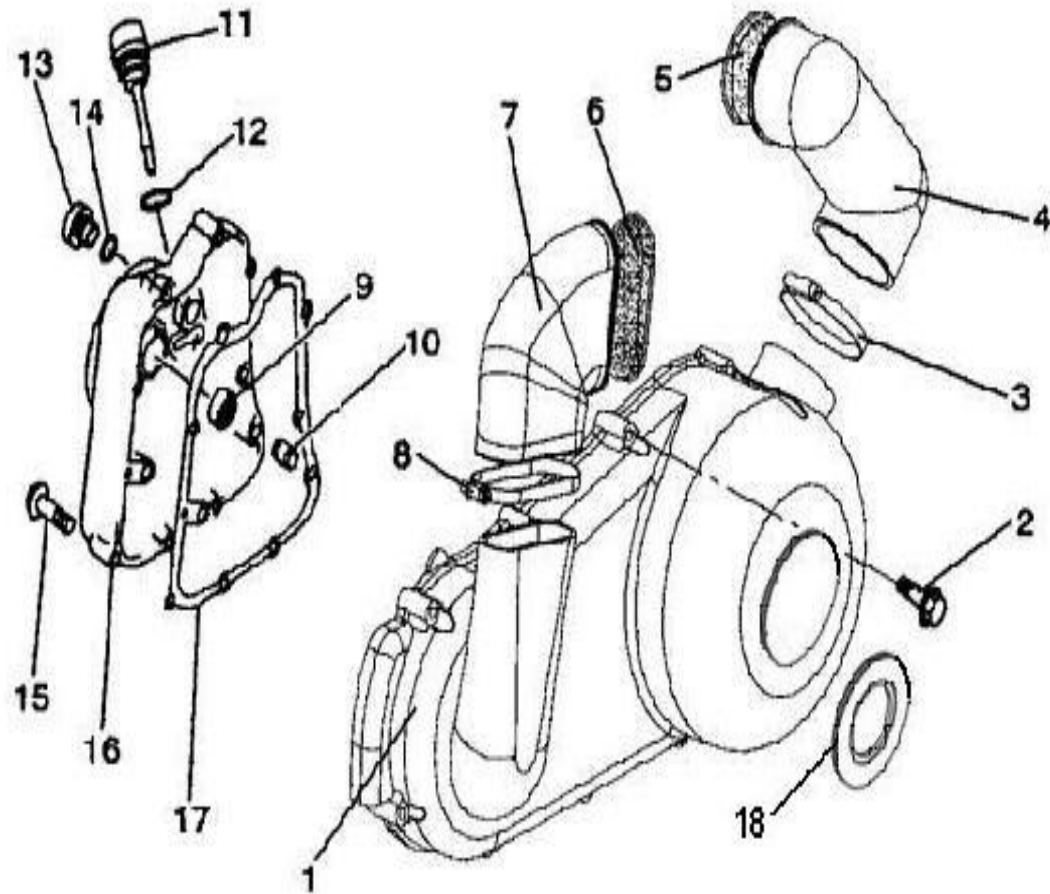


Fig No	PL-nummer	Varunamn	Art name	Oe-ref	Antal/Qty
1	9029611	Sidoskydd	COVER CRANKCASE LEFT	23601a	1
2	9034879	Bult M6X52	FLANGE BOLT M6X52	23602	5
3	9034880	Spännband	HOSE CLAMP B	23603	1
4	9029860	Utluftningsslang	JOINT A	23604	1
5	9029861	Filter B	AIR STRAINER B	23605	1
6	9029862	Filter A	AIR STRAINER A	23606	1
7	9029863	Utluftningsslang B	JOINT B	23607	1
8	9034885	Spännband A	HOSE CLAMP A	23608	1
9	9029775	Packbox 14X27X6	OIL SEAL	23609	1
10	9034732	Styrtapp 10X14	DOWEL PIN 10X14	22422	4
11	9030114	Oljeplugg	OIL PLUG	23611	1
12	9029773	O-ring 18X2,65	O-RING 18X2.65	10122	1
13	9034873	Oljepropp	OIL PLUG	23613	1
14	9029714	O-ring 14X2,65	O-RING 14X2.65	10123	1
15	9034875	Bult M6X40	FLANGE BOLT M6X40	23615	15
16	9030693	Sidoskydd "lilla"	CAP COVER	23616	1
16	9029586	Sidoskydd "stor generator"	CAP COVER (USE WITH HIGH-POWER GEN	23616A	1
17	9029774	Packning Sidoskydd	CRANKCASE COVER GASKET RIGHT	23617	1
18	9030694	Gummipackning	RUBBER GASKET(WITH HIGH-POWER CLUT	23619	1

Fig 37

Startdrev/Starter

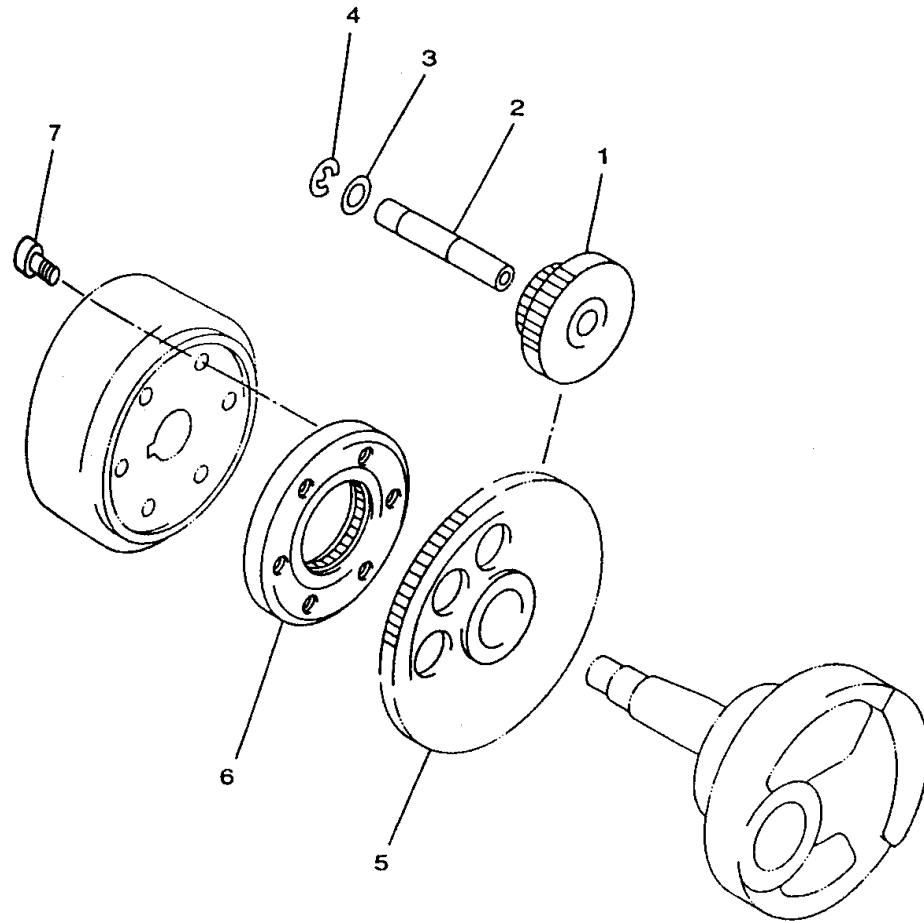


Fig No	PL-nummer	Varunamn	Art name	Oe-ref	Antal/Qty
1	9029613	Tandhjul litet	GEAR IDLER	23701	1
2	9040306	Axel	SHAFT	23702	1
3	9034890	Bricka	WASHER 12	23703	1
4	9034891	Låsring 12	CIRCLIP 12	10129	1
5	9029614	Tandhjul stort	GEAR REDUCTION	23705	1
6	9029615	Startkoppling	STARTER CLUTCH	23706	1
7	9034894	Bult M8X16	SOCKET HEAD BOLT M8X16	10131	3

Fig 38

Koppling/clutch "ny modell"

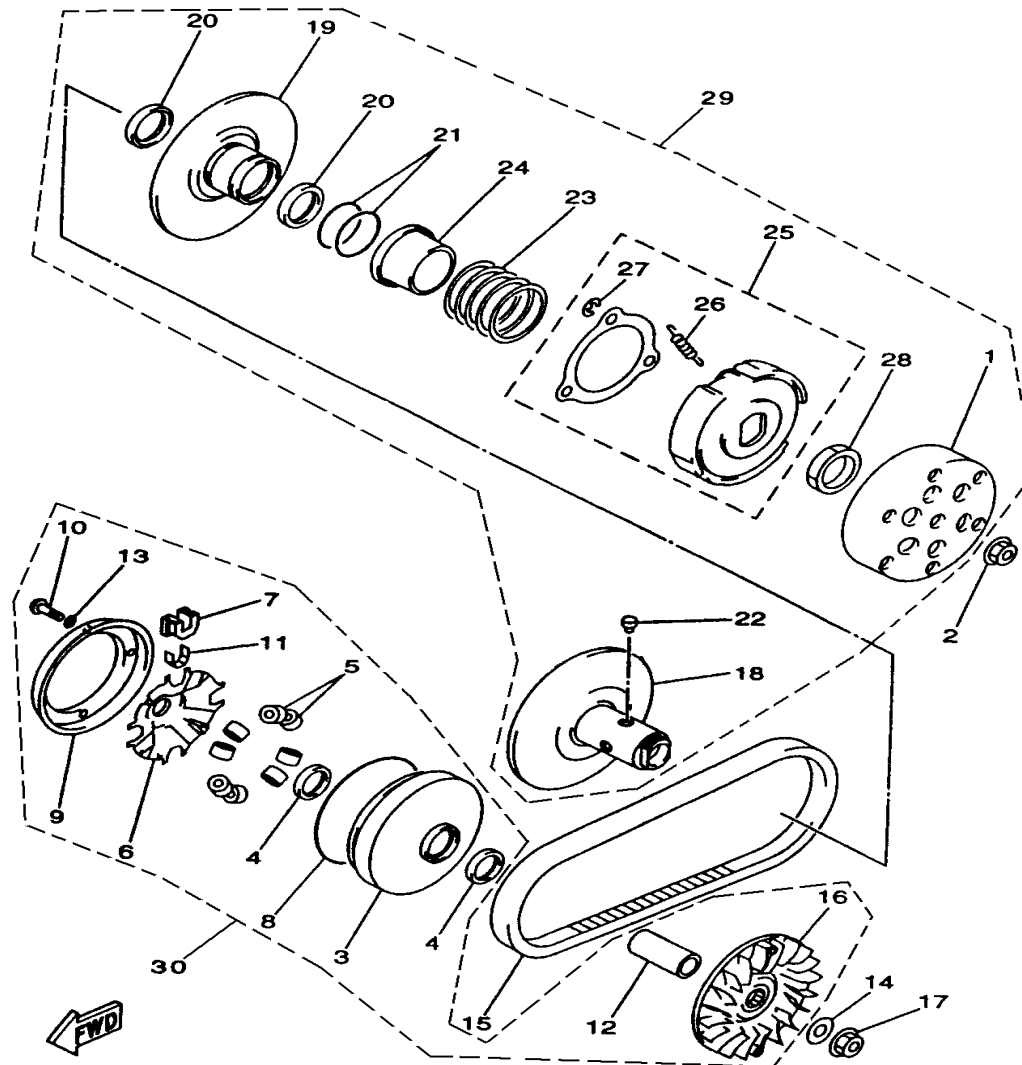


Fig No	PL-nummer	Varunamn	Art name	Oe-ref	Antal/Qty
1	N.A		CLUTCH HOUSING COMP.	25614	1
2	9029777	Mutter M14X1	NUT	23802	1
3	N.A		PRIMARY SLIDING SHEAVE COMP	27460	1
4	9030052	Packbox 28X36X4	OIL SEAL	23804	2
5	N.A		WEIGHT	27461	8
6	N.A		CAM	25615	1
7	N.A		SLIDER	27463	4
8	N.A		O-RING 115X2.5	27464	1
9	N.A		STOPPER	27465	1
10	9034904	Skruv M4X12	PAN HEAD SCREW M4X12	10132	4
11	N.A		SPACER 1	27466	4
12	N.A		COLLAR	25616	1
13	9034907	Bricka	WASHER PLATE 4	23813	4
14	N.A		WASHER PLATE	25617	1
15	9030051	Variator rem	V-BELT (LOGO "MITSUBOSHI")	23815	1
15	N.A		V-BELT (LOGO "GATES") (USED FOR EX)	23817	1
16	9034912	Remskiva "fast"	SHEAVE PRIMARY FIXED	25618	1
17	9029777	Mutter M14X1	NUT	23802	1
18	N.A		SECONDARY FIXED SHEAVE COMP.INCLUDE	27469	1
				/	
	N.A			25213	
				/	
				/	
19	N.A		SECONDARY SLIDING SHEAVE	27470	1
20	9030695	Packbox 47X41X4	OIL SEAL47X41X4	23820	2
21	N.A		O-RING 46.2X2	27471	2
22	N.A		PIN GUIDE	27472	4
23	N.A		COMPRESSION SPRING	27473	1
24	N.A		SEAT SECONDARY SPRING	27474	1
25	N.A		CLUTCH CARRIER ASSY	25619	1
26	N.A		CLUTCH WEIGHT SPRING 1	25643	3

27	9034922	Låsring	CIRCLIP 8	10133	3
28	9034923	Mutter M36X1,5	NUT M36X1.5	23928	1
29	9062314	Slungkoppling	DRIVEN ASSY COMPLETE	25620	1
30	9062315	Variator	DRIVE ASSY COMPLETE	25621	1

Fig 39

Kopling/High-Power clutch stand assy

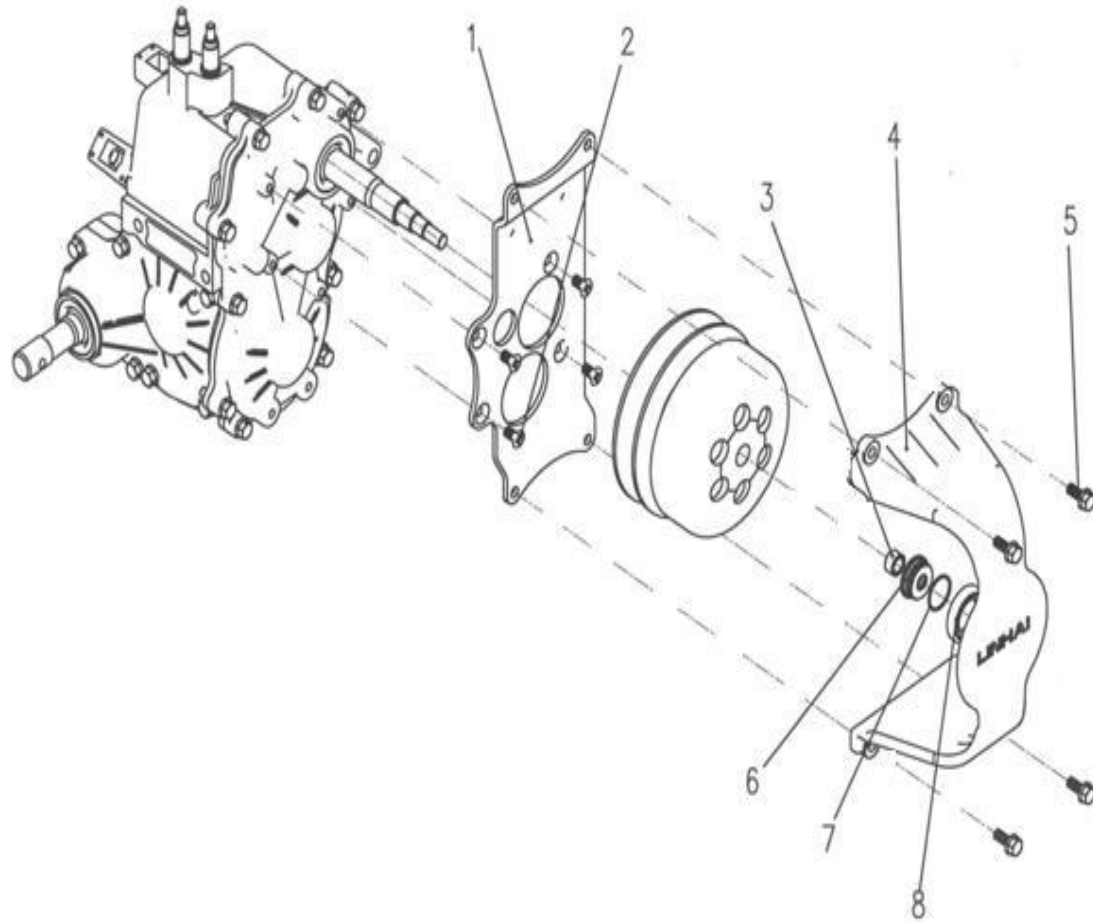


Fig No	PL-nummer	Varunamn	Art name	Oe-ref	Antal/Qty
1	9029587	Beslag 1	BRACKET 1	23941	1
2	9029864	Skruv M8X12	SWCREW M8X12	10424	4
3	9029779	Mellandel "lilla"	SMALL SPACER	23942	1
4	9029588	Beslag 2	BRACKET 2	23943	1
5	9033941	Bult M8X28	BOLT M8X28	10060	4
6	9030054	Mellandel	SPACER	23944	1
7	9029780	O-ring 26,5X1,8	O-RING 26.5X1.8	10321	1
8	9030055	Stödlager för CVT axel	BEARING 6906Z	10426	1

Fig 40

Generator&svänghjul/Generator

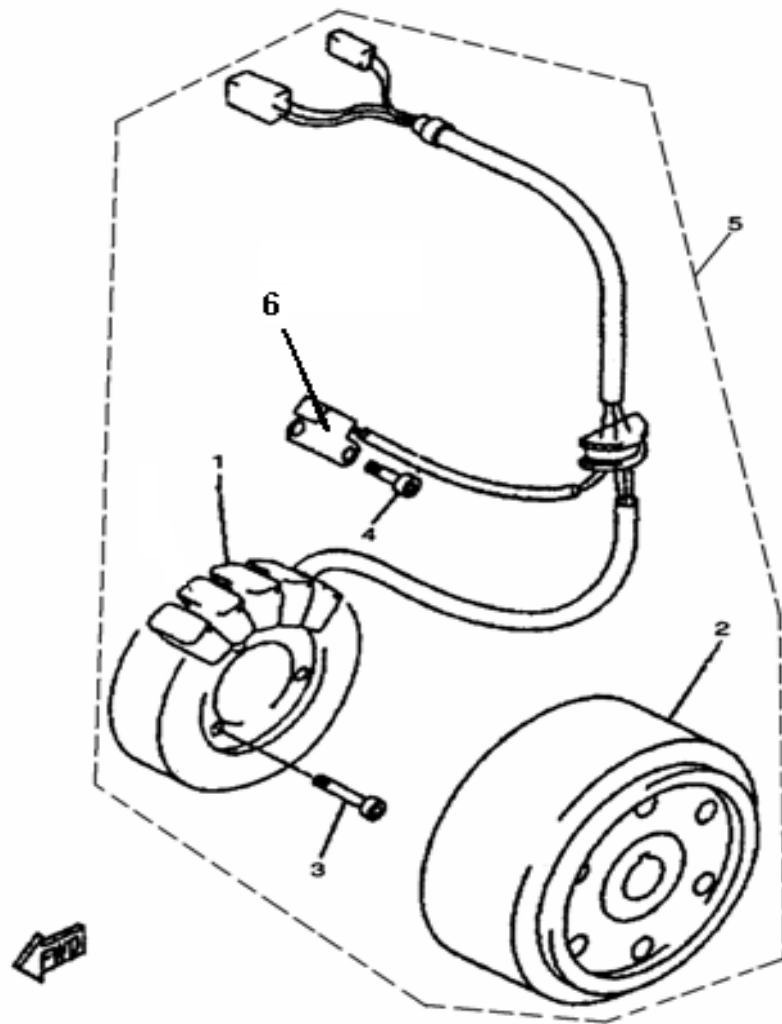


Fig No	PL-nummer	Varunamn	Art name	Oe-ref	Antal/Qty
1	9060953	Stator EFI 102mm	STATOR ASSY	27912	1
1	9064549	Stator EFI 104mm "LJ" Grön	STATOR ASSY (MARKED "L J"	27870	1
2	9061228	Svä nghjul EFI 104mm "LJ"	ROTOR ASSY (GREEN COLOR) "L J"	27871	1
3	9040315	Bult M6X25	SOCKET HEAD BOLT M6X25	10085	3
4	9034937	Bult	SOCKET HEAD BOLT M5X12	10135	2
5	N.A	Generator komplett med svänghjul	GENERATOR ASSY (WATERPROOF PLUG Uf	27243a	1
6	9029781	Taktgivare	PICK UP COIL	24006	1

Fig 41

Startmotor/Starting motor

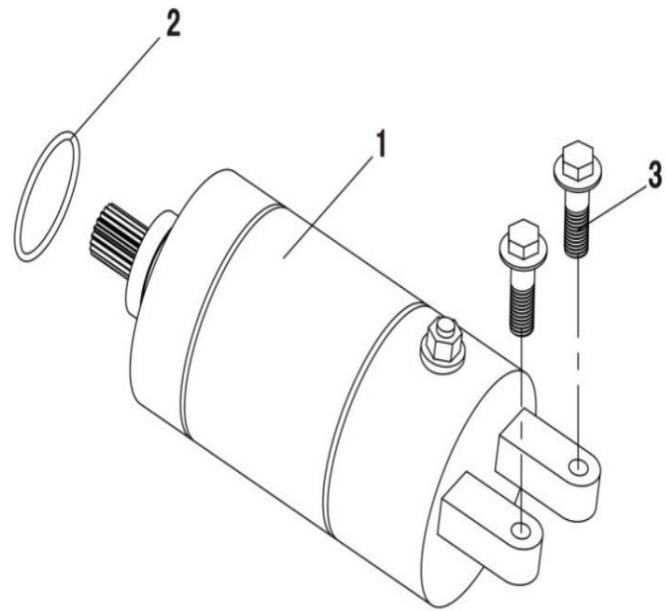


Fig No	PL-nummer	Varunamn	Art name	Oe-ref	Antal/Qty
1	9030086	Startmotor 12V	STARTING MOTOR ASSY	24101	1
2	9034946	O-ring 24,5X3	O-RING 24.5X3	24106	1
3	9034947	Bult	FLANGE BOLT M6X25	24107	2

Fig 42

Motorfäste/Engine

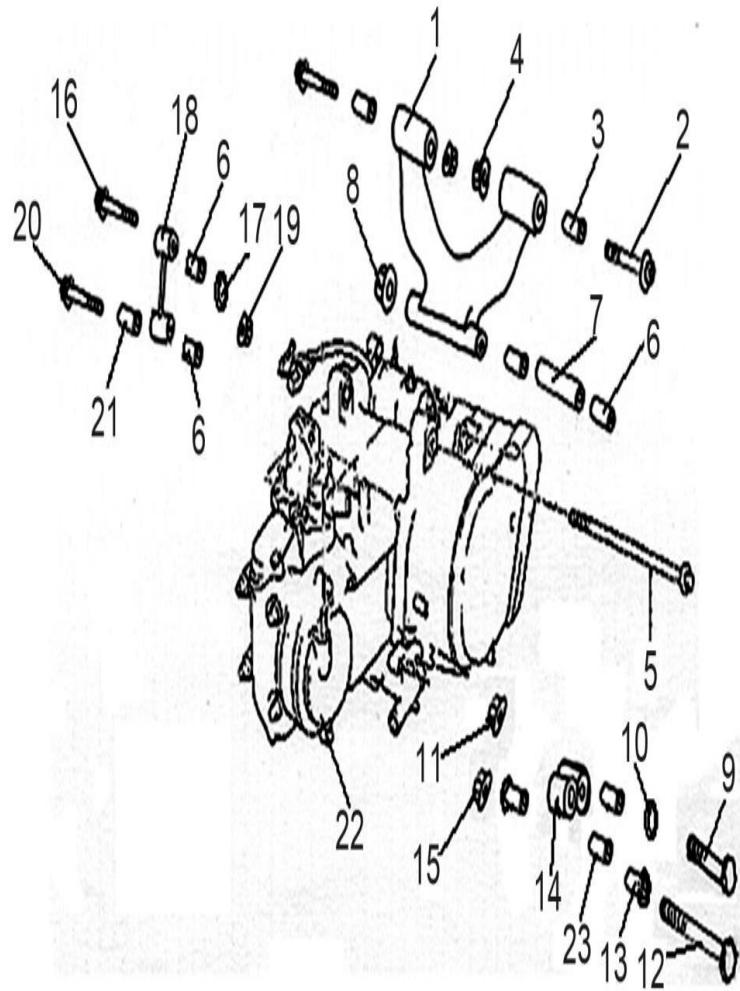


Fig No	PL-nummer	Varunamn	Art name	Oe-ref	Antal/Qty
1	9029997	Motorbeslag främre	FRONT ENGINE MOUNT BRACKET	24201	1
2	9034164	Bult för motorbeslag	ENGINE BRACKET BOLT	24202	2
3	9029786	Bussning för främre motorbeslag	BUSHING ENGING BRACKET1	24203	2
4	9033896	Mutter M12X1,25	NUT M12X1.25	10136	2
5	9034171	Monteringsbult	ENGINE MOUNTING BOLT	24205	1
6	9029865	Bussning främre	BUSHING ENGING BRACKET2	24206	4
7	9029787	Bussning	SPACER ENGINE BRACKET	24207	1
8	9031005	Mutter M10X1,25	NUT M10X1.25	10015	1
9	9034175	Bult M10X55X1,25	BOLT M10X1.25X55	10016	1
10	9034154	Bricka	WASHER	24210	1
11	9031005	Mutter M10X1,25	NUT M10X1.25	10015	1
12	9034156	Bult M8X120	BOLT M8X120	10137	1
13	9029782	Bussning vänster	LEFT SPACER	24213	2
14	9029783	Motorbeslag vänster	STAY ENGINE LEFT	24214	1
15	9050207	Mutter M8	NUT M8	10079	1
16	9034160	Bult M10X68X1,25	BOLT M10X1.25X68	10138	1
17	9034161	Bricka	WASHER	24217	1
18	9029784	Motorbeslag höger	STAY ENGINE RIGHT	24218	1
19	9031005	Mutter M10X1,25	NUT M10X1.25	10015	1
20	9034165	Bult M8X65	BOLT M8X65	10139	1
21	9029785	Bussning höger	RIGHT SPACER	24221	2
22	9029589	Motor 300cc komplett	ENGINE ASSY300	24222A	1
23	9030057	Bussning	BUSHING	24223	2

Fig 43

Diffrentiale främre/Front gear-box (4WD)

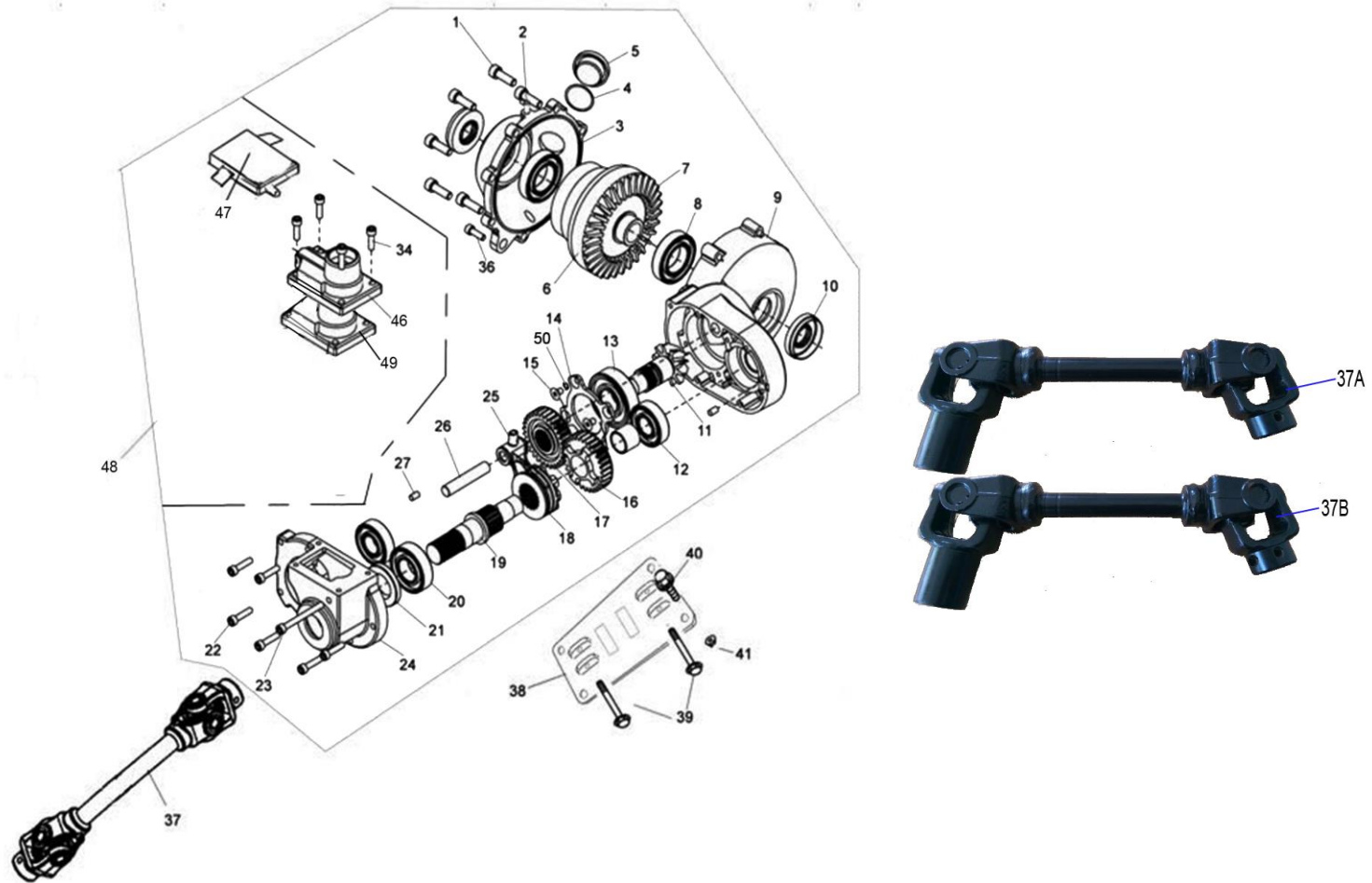


Fig No	PL-nummer	Varunamn	Art name	Oe-ref	Antal/Qty
1	9033887	Bult	BOLT M8X25	10059	7
2	9034516	Utluftningsventil	VENT FITTING	21112	1
3	9034528	Sidoskydd - vänster	LEFT COVER	24303	1
4	9029773	O-ring 18X2,65	O-RING 18X2.65	10122	1
5	9034543	Påfyllningspropp	DIFF FILLERPLUG	24305	1
6	N.A		FOC BODY	24306	1
7	9034547	Kronhjul	BEVEL CROWNWHEEL	24307	1
8	9036029	Lager 6006	BEAR 6006	10202	2
9	9034551	Differentialhus	DIFFCASE RHS	24309	1
10	9030087	Packbox SDD722X48X11	SEAL SDD722X48X11	24310	2
11	9034506	Spetshjul axel	CONICAL WITH HELICAL GEARING	24311	1
12	9038575	Lager 6204	BEAR 6204	10062	2
13	9033983	Lager 6305St	BEAR 6305ST	10074	1
14	9034509	Lagerhållare	CASEBEAR RETAINER	24314	1
15	9034510	Skruv M6X12	SCREW M6X12	10287	4
16	9034511	Tandhjul	DIFF GEAR	24316	1
17	9034512	Tandhjul	DIFF GEAR DRIVEN	24317	1
18	9034513	Dog ring	SPLINED DOG	24318	1
19	9034514	Ingångsaxel	DIFF INPUTSHAFT A	24319	1
20	9033978	Lager 6205	BEAR 6205	10267	1
21	9030088	Packbox TC25X47X7	SEAL TC25X47X7	24321	1
22	9050222	Bult M6X30	BOLE M6X30	10182	6
23	9050226	Bult M6X70	BOLE M6X70	10160	1
24	9034521	Skydd - bak	REAR COVER	24324	1
25	9034522	Skift gaffel	DIFF SELECTOR FORK	24325	1
26	9034523	Axel för skiftgaffel	SELECTOR RAIL	24326	1
27	9034524	Pin	PIN	24327	2
28	9034525	Skiftaxel	SELECTOR SHAFT	24328	1
29	9034526	Skydd för skiftaxel	SELECTOR COVER	24429	1
30	9034529	Kula för växellås	STEEL BALL 8	10203	1
31	9034530	Fjäder för växellås	SPRING	24431	1
32	9034531	Första del för låskula	INDENT BALL INSERT	24433	1

33	N.A		WASHER	83462	1
34	9034190	Bult M6X16	BOLT M6X16	10183	4
35	9030089	Packbox TC12X28X7	SEAL TC12X28X7	24435	1
36	9050230	Bult M8X16	BOLT M8X16	10168	1
37A	N.A		FRONT PROPSHAFT ASSY (ONE HOLE MOD	24437	1
37B	9029998	Kardanaxel mellan	FRONT PROPSHAFT ASSY (TWO HOLE MOD	24437a	1
38	N.A		FRONT GEAR-BOX BACKSTOP	22325f	1
39	N.A		BOLT M10X1.25X43	10208	2
40	N.A		BOLT M10X1.25X20	10163	4
41	9050208	Mutter M8	NUT M10	10209	6
42	9034536	Bult	BOLT M8X1X16	10355	1
43	9034537	Mutter M8X1	NUT M8X1	10356	1
44	9030090	Kontakt	4WD AND 2WD SWITCH	24444	1
45	N.A		FRONT GEAR-BOX(MECHANICAL SHIFT)	24445	1
46	N.A		2WD/4WD SHIFT MOTOR(USED WITH 2WD	24446c	1
46	N.A		2WD/4WD SHIFT MOTOR(USED WITH 2WD	24446	1
47	N.A		2WD/4WD SHIFT ELECTRONIC CONTROLER	24447c	1
47	N.A		2WD/4WD SHIFT ELECTRONIC CONTROLER	24447	1
48	9029590	Främre differential elektrisk 2WD/4WD	FRONT GEAR-BOX (ELECTRIC SHIFT)	24445a	1
49	N.A		GASKET	26005	1
50	9033982	Låsring	CIRCLIP 25	21453	1

Fig 44

Drivaxel främre/Front drive axel (4WD)

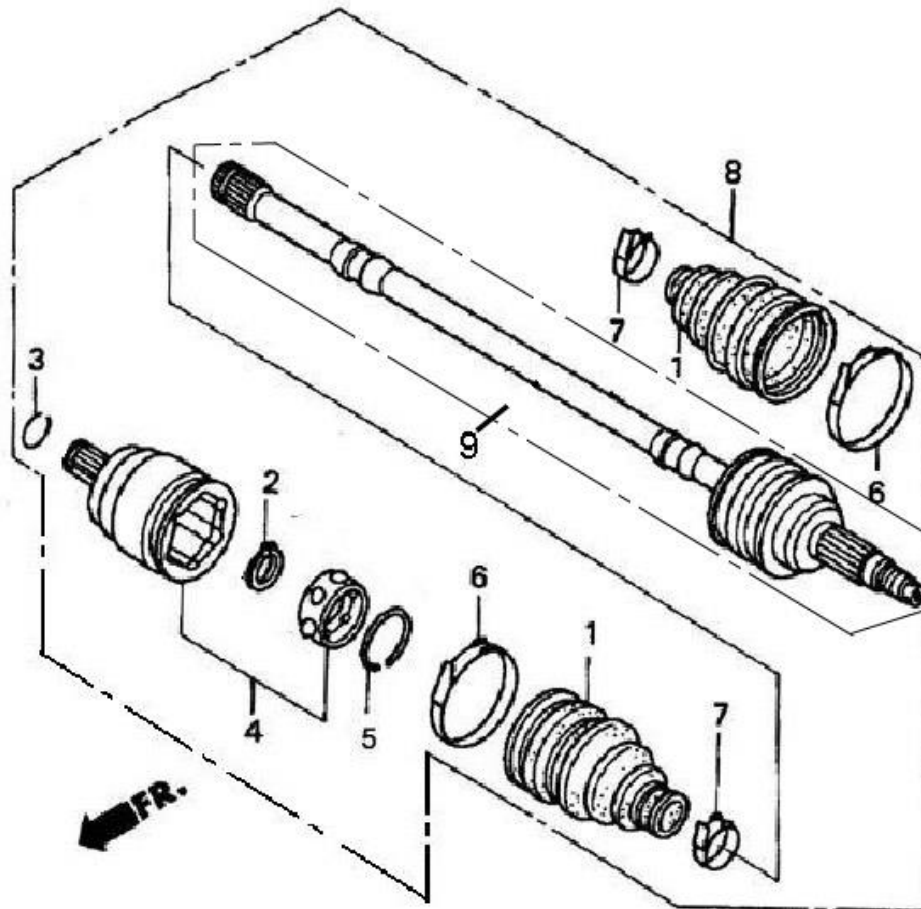


Fig No	PL-nummer	Varunamn	Art name	Oe-ref	Antal/Qty
1	9029788	Manchett yttre Ø70/22 L85	OUTER BOARD BOOT	24403	4
2	9033806	Låsring	CIRCLIP 20	24407	2
3	9039519	Låsring för kardan	ATOPPER RING φ17.2	70084	2
4	9030000	Drivaxel led inre	JOINT,INBOARD(CONTAIN INBOARD AXLE	25244	2
				25535	2
				25534	2
				25533	12
5	9033809	Fjäderlås	STOPPER RING φ65.4	24409	2
6	9030058	Spännband B	BOOT BAND B	24404	4
7	9030059	Spännband A	BOOT BAND A	24402	4
8	N.A		FRONT DRIVE AXLE	25274	2
9	N.A		DRIVE AXLE/OUTER CV JOINT ASSEMBLY	24401	2
				24401B	2
					12
					2
					2
					2

Fig 45

Driving bak/diffrential/FOC body (4WD)

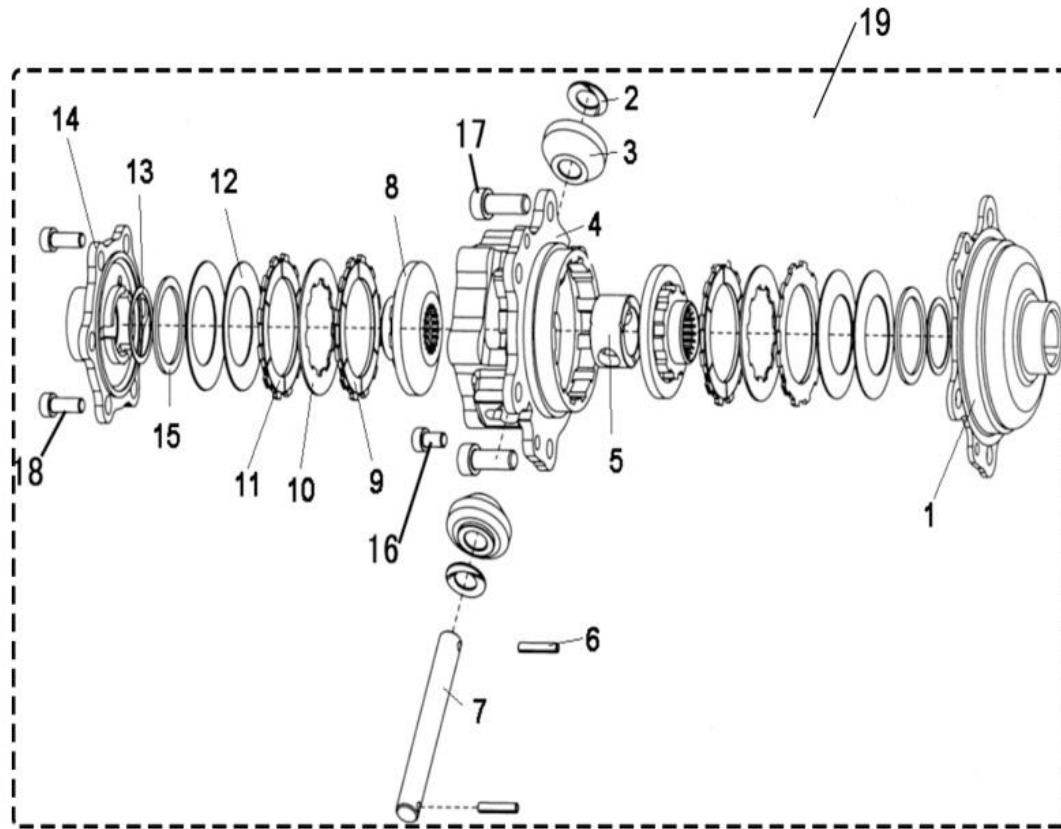


Fig No	PL-nummer	Varunamn	Art name	Oe-ref	Antal/Qty
1	9029591	Differentialhus	LARGER COVER	24701	1
2	9029593	Skiva	WASHER	24702	2
3	9029594	Växelhjul	PINION	24703	2
4	9034496	Differentialhus	HOUSING	24704	1
5	9029595	Center bussning	CENTER SPACER	24705	1
6	9034498	Stift	ROLL PIN	10003	2
7	9034499	Växelhjulsaxel	CENTER PIN	24707	2
8	9029596	Diff platta/solhjul	BEVEL GEAR	24708	2
9	9029796	Kopplingplatta yttre dubbel belagt	CLUTCH PLATE OUTER DOUBLE	24709	2
10	9029791	Kopplingplatta invändig	CLITCH PLATE INNER	24710	2
11	9029792	Kopplingplatta yttre enkel belagt	CLUTCH PLATE OUTER SINGLE	24711	2
12	9029793	Fjäderkoppling bricka	DISHED SPRING	24712	4
13	9029794	Skiva	WASHER	24713	2
14	9029592	Lilla skyddet	SMALL COVER	24714	1
15	9029795	Fjäderskål	SPING SEAT	24715	2
16	9034491	skruv M6X15	SCREW M6X15	10083	2
17	9034492	Bult	SCREW M8X16	10131	6
18	9034493	Bult	BOLT M8X15	24718	6
19	9034545	Diff	FOC BODY (FOR 4WD)	24306	1