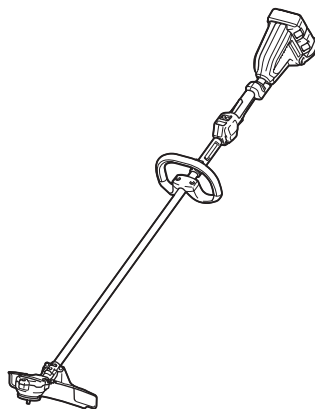




<b>EN</b>	Cordless Grass Trimmer	INSTRUCTION MANUAL	6
<b>SV</b>	Batteridrivnen grästrimmer	BRUKSANVISNING	17
<b>NO</b>	Batteridrevet gresstrimmer	BRUKSANVISNING	27
<b>FI</b>	Akkukäyttöinen viimeistelyleikkuri	KÄYTTÖOHJE	38
<b>LV</b>	Bezvada zāles trimers	LIETOŠANAS INSTRUKCIJA	49
<b>LT</b>	Belaidė žoliapjovė	NAUDOJIMO INSTRUKCIJA	59
<b>ET</b>	Akuga murutrimmer	KASUTUSJUHEND	69
<b>RU</b>	Аккумуляторная Коса	РУКОВОДСТВО ПО ЭКСПЛУАТАЦИИ	80

# DUR364L



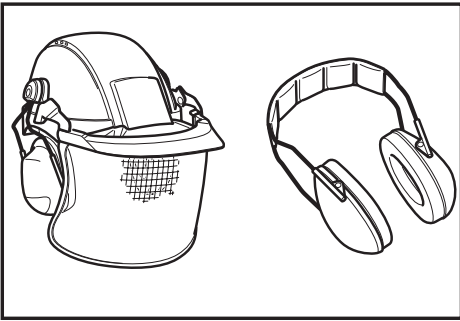


Fig.1

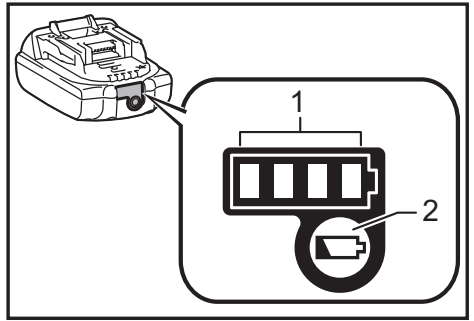


Fig.5

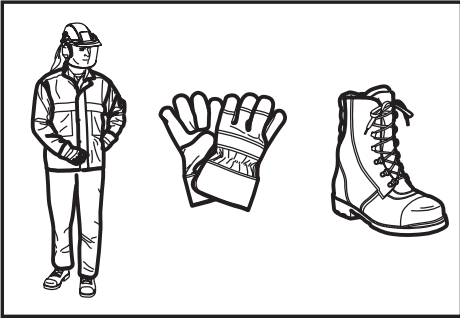


Fig.2

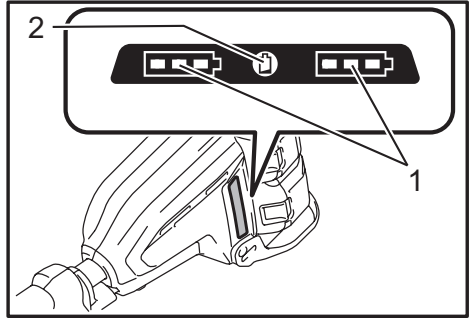


Fig.6

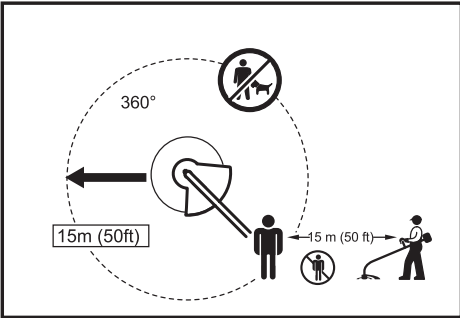


Fig.3

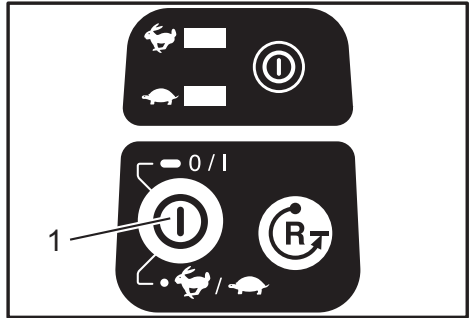


Fig.7

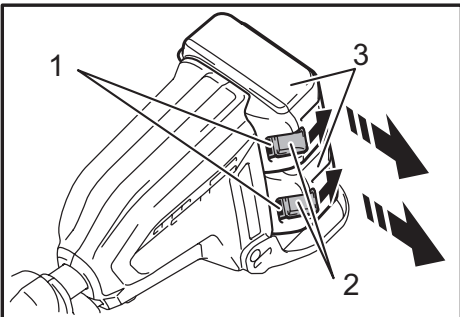


Fig.4

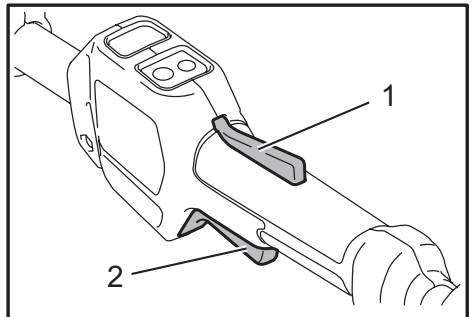


Fig.8

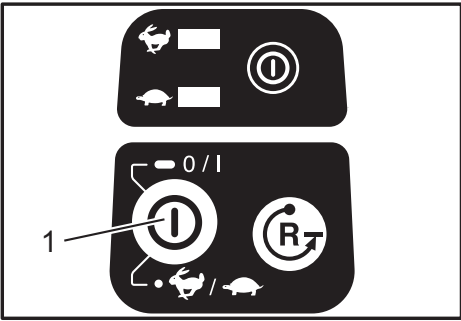


Fig.9

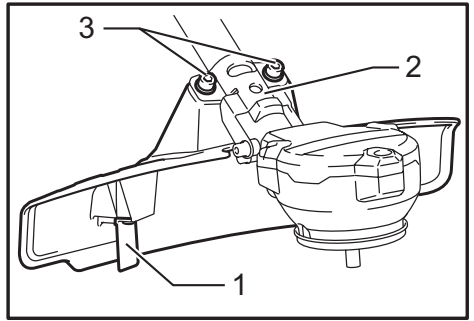


Fig.13

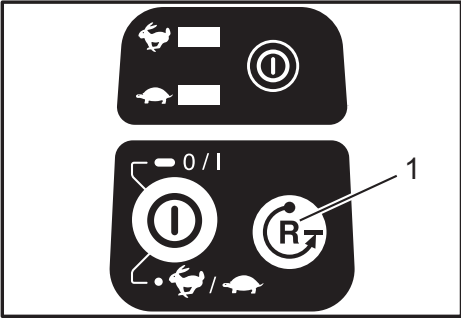


Fig.10

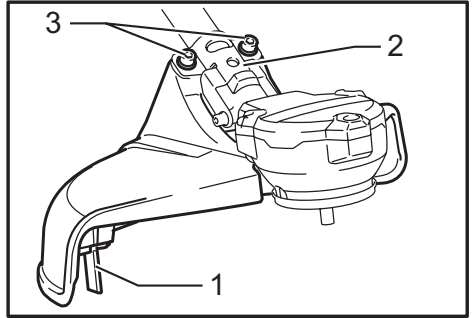


Fig.14

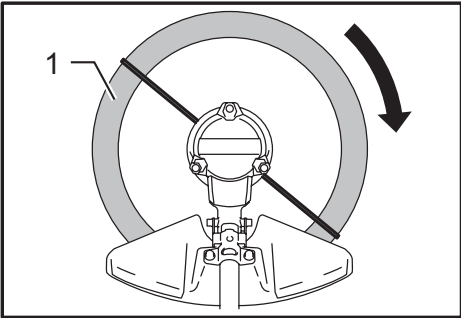


Fig.11

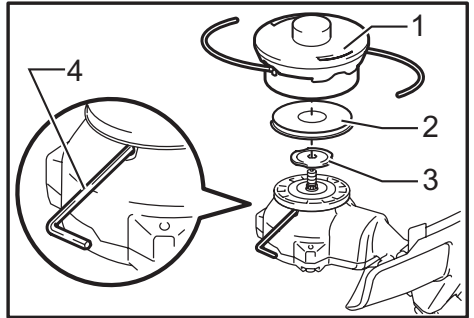


Fig.15

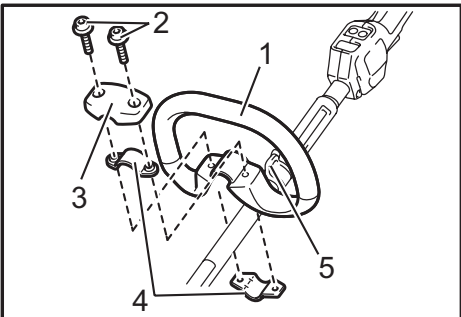


Fig.12

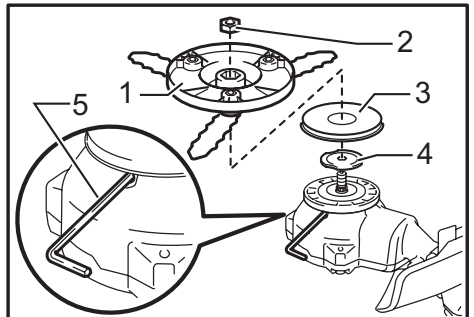


Fig.16

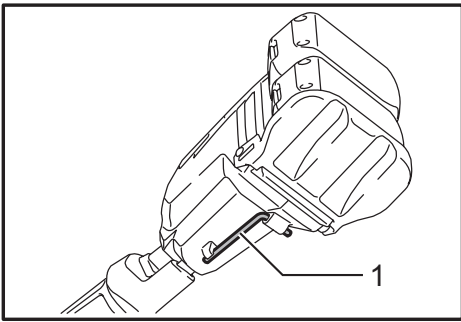


Fig.17

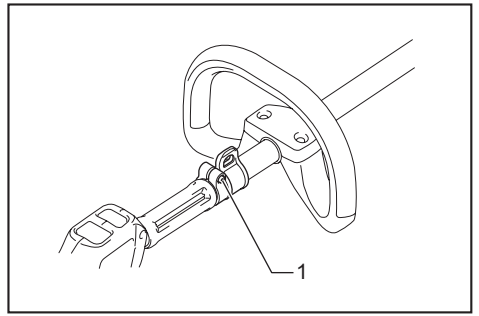


Fig.21



Fig.18

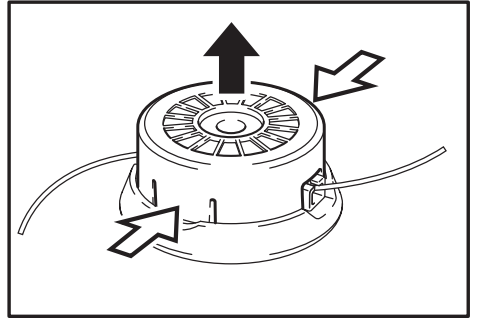


Fig.22

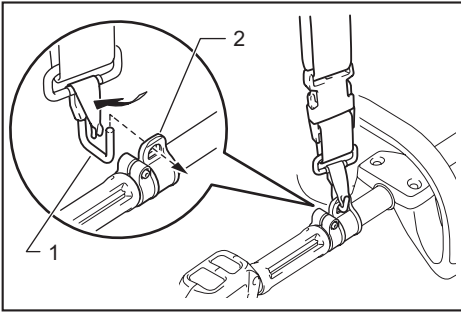


Fig.19

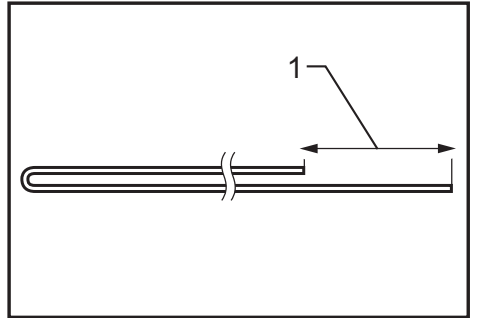


Fig.23

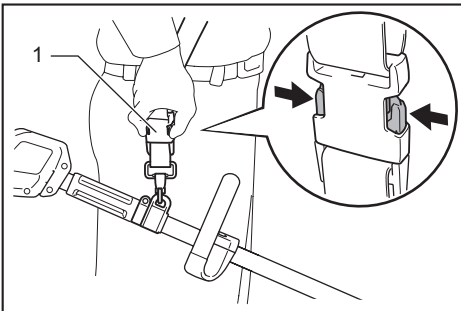


Fig.20

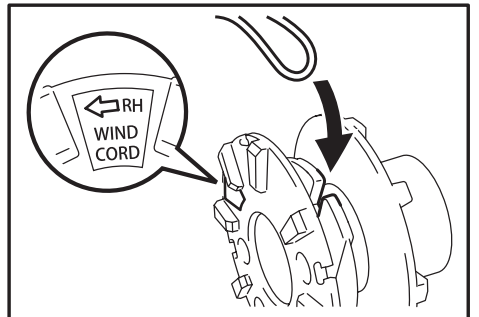


Fig.24



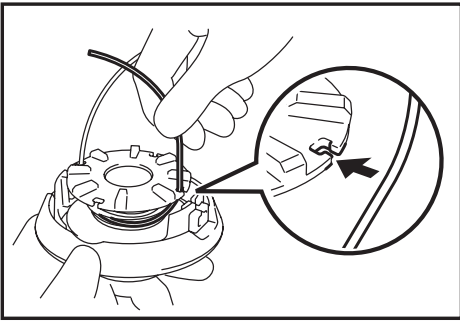


Fig.25

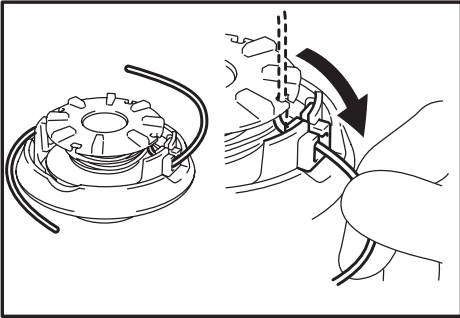


Fig.26

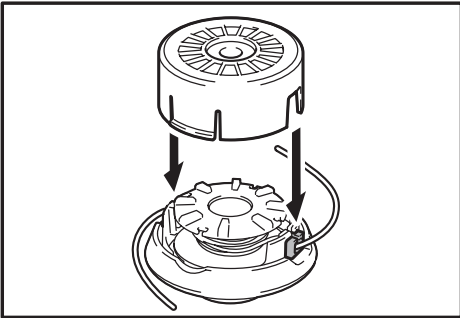


Fig.27

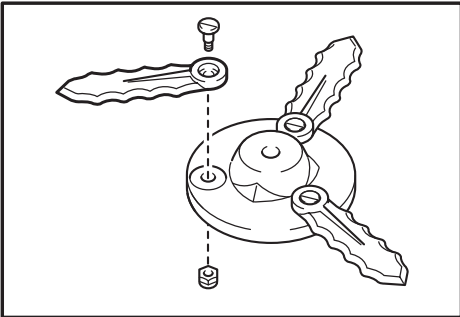


Fig.28

# SPECIFICATIONS

Model	DUR364L			
Type of handle	Loop handle			
No load speed	5,000 / 6,500 min <sup>-1</sup>			
Overall length	1,754 mm			
Nylon cord diameter	2.0 – 2.4 mm			
Applicable cutting tool	Nylon cutting head (P/N 197297-1)	Plastic blade (P/N 197188-6)	Nylon cutting head (P/N 197297-1)	Plastic blade (P/N 197188-6)
Cutting blade diameter	350 mm	255 mm	350 mm	255 mm
Rated voltage	D.C. 36 V			
Net weight	4.0 kg	3.9 kg	4.5 kg	4.4 kg
Standard battery cartridge	BL1815N / BL1820 / BL1820B		BL1830 / BL1830B / BL1840 / BL1840B / BL1850 / BL1850B / BL1860B	

- Due to our continuing program of research and development, the specifications herein are subject to change without notice.
- Specifications and battery cartridge may differ from country to country.
- Weight, with battery cartridge, according to EPTA-Procedure 01/2003

Noise	Sound pressure level average	Sound power level average		Applicable standard
	L <sub>PA</sub> (dB (A))	L <sub>WA</sub> (dB (A))	Uncertainty K (dB (A))	
Nylon cutting head	81	89	0.3	2000/14/EC
Plastic blade	83	92	0.3	

Vibration	Left hand		Right hand		Applicable standard
	a <sub>h,W</sub> (m/s <sup>2</sup> )	Uncertainty K (m/s <sup>2</sup> )	a <sub>h,W</sub> (m/s <sup>2</sup> )	Uncertainty K (m/s <sup>2</sup> )	
Nylon cutting head	≤ 2.5	1.5	≤ 2.5	1.5	EN50636-2-91
Plastic blade	≤ 2.5	1.5	≤ 2.5	1.5	

**NOTE:** The declared vibration emission value has been measured in accordance with the standard test method and may be used for comparing one tool with another.






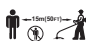




**NOTE:** The declared vibration emission value may also be used in a preliminary assessment of exposure.

**⚠WARNING:** The vibration emission during actual use of the power tool can differ from the declared emission value depending on the ways in which the tool is used.

**⚠WARNING:** Be sure to identify safety measures to protect the operator that are based on an estimation of exposure in the actual conditions of use (taking account of all parts of the operating cycle such as the times when the tool is switched off and when it is running idle in addition to the trigger time).

## Symbols

The following show the symbols used for the equipment. Be sure that you understand their meaning before use.

	Take particular care and attention.
	Read instruction manual.
	Danger; be aware of thrown objects.
	The distance between the tool and bystanders must be at least 15 m.
	Keep bystanders away.
	Keep distance at least 15 m.
	Wear a helmet, goggles and ear protection.
	Wear protective gloves.
	Wear sturdy boots with nonslip soles. Steeltoed safety boots are recommended.
	Do not expose to moisture.



Top permissible tool speed.



Never use metal blade.



Only for EU countries  
Do not dispose of electric equipment or battery pack together with household waste material!  
In observance of the European Directives, on Waste Electric and Electronic Equipment and Batteries and Accumulators and their implementation in accordance with national laws, electric equipment and batteries and battery pack(s) that have reached the end of their life must be collected separately and returned to an environmentally compatible recycling facility.

## For European countries only

### EC Declaration of Conformity

#### Makita declares that the following Machine(s):

Designation of Machine:  
Cordless Grass Trimmer  
Model No./ Type: DUR364L  
Specifications: see "SPECIFICATIONS" table.

#### Conforms to the following European Directives: 2000/14/EC, 2006/42/EC

They are manufactured in accordance with the following standard or standardized documents:

EN60335, EN/ISO11806, EN50636

The technical file in accordance with 2006/42/EC is available from:

Makita, Jan-Baptist Vinkstraat 2, 3070, Belgium

The conformity assessment procedure required by Directive 2000/14/EC was in Accordance with annex V.

#### With plastic blade

Measured sound power level 92dB(A)  
Guaranteed sound power level 92dB(A)

The conformity assessment procedure required by Directive 2000/14/EC was in Accordance with annex VI.  
Notified Body:

TÜV Rheinland LGA Products GmbH  
Tillystraße 2  
90431 Nürnberg, Germany  
Identification number 0197

#### With nylon cutting head

Measured sound power level 89dB(A)  
Guaranteed sound power level 90dB(A)

1.10.2015

Yasushi Fukaya  
Director

Makita, Jan-Baptist Vinkstraat 2, 3070, Belgium

## IMPORTANT SAFETY INSTRUCTIONS

**⚠WARNING! Read all safety warnings and all instructions.** Failure to follow the warnings and instructions may result in electric shock, fire and/or serious injury.

### Save all warnings and instructions for future reference.

1. **Be familiar with the controls and proper use of the equipment.**
2. **Cutting elements continue to rotate after the motor is switched off.**
3. **Never allow children or people unfamiliar with the instructions to use the machine.**
4. **Stop using the machine while people, especially children, or pets are nearby.**
5. **Only use the machine in daylight or good artificial light.**
6. **Before using the machine and after any impact, check for signs of wear or damage and repair as necessary.**
7. **Take care against injury from any device fitted for trimming the filament line length. After extending new cutter line always return the machine to its normal operating position before switching on.**
8. **Never fit metal cutting elements.**
9. **This appliance is not intended for use by persons (including children) with reduced physical, sensory or mental capabilities, or lack of experience and knowledge, unless they have been given supervision or instruction concerning use of the appliance by a person responsible for their safety. Children should be supervised to ensure that they do not play with the appliance.**
10. **Use the tool with the utmost care and attention.**
11. **Operate the tool only if you are in good physical condition. Perform all work calmly and carefully. Use common sense and keep in mind that the operator or user is responsible for accidents or hazards occurring to other people or their property.**
12. **Never operate the tool when tired, feeling ill or under the influence of alcohol or drugs.**
13. **The tool should be switched off immediately if it shows any signs of unusual operation.**

### Intended use of the tool

1. **Use right tool. The cordless grass trimmer is only intended for cutting grass, light weeds. It should not be used for any other purpose such as hedge cutting as this may cause injury.**

### Personal protective equipment

► Fig.1

► Fig.2

1. **Dress Properly. The clothing worn should be functional and appropriate, i.e. it should be tight-fitting but not cause hindrance. Do not wear either jewelry or clothing which could become entangled with high grass. Wear protective hair covering to contain long hair.**

- When using the tool, always wear sturdy shoes with a non-slip sole. This protects against injuries and ensures a good footing.
- Wear protective glasses or goggles.

## Electrical and battery safety

- Avoid dangerous environment. Don't use the tool in damp or wet locations or expose it to rain. Water entering the tool will increase the risk of electric shock.
- Recharge only with the charger specified by the manufacturer. A charger that is suitable for one type of battery pack may create a risk of fire when used with another battery pack.
- Use power tools only with specifically designated battery packs. Use of any other battery packs may create a risk of injury and fire.
- When battery pack is not in use, keep it away from other metal objects, like paper clips, coins, keys, nails, screws or other small metal objects, that can make a connection from one terminal to another. Shorting the battery terminals together may cause burns or a fire.
- Under abusive conditions, liquid may be ejected from the battery; avoid contact. If contact accidentally occurs, flush with water. If liquid contacts eyes, seek medical help. Liquid ejected from the battery may cause irritation or burns.
- Do not dispose of the battery(ies) in a fire. The cell may explode. Check with local codes for possible special disposal instructions.
- Do not open or mutilate the battery(ies). Released electrolyte is corrosive and may cause damage to the eyes or skin. It may be toxic if swallowed.

## Starting up the tool

### ► Fig.3

- Make sure that there are no children or other people within a working range of 15 meters (50 ft), also pay attention to any animals in the working vicinity. Otherwise stop using the tool.
- Before use always check that the tool is safe for operation. Check the security of the cutting tool and the guard and the switch trigger/lever for easy and proper action. Check for clean and dry handles and test the on/off function of the switch.
- Check damaged parts before further use of the tool. A guard or other part that is damaged should be carefully checked to determine that it will operate properly and perform its intended function. Check for alignment of moving parts, binding of moving parts, breakage of parts, mounting, and any other condition that may affect its operation. A guard or other part that is damaged should be properly repaired or replaced by our authorized service center unless indicated elsewhere in this manual.
- Switch on the motor only when hands and feet are away from the cutting tool.
- Before starting make sure that the cutting tool has no contact with hard objects such as branches, stones etc. as the cutting tool will revolve when starting.

## Method of operation

- Never operate the machine with damaged guards or without the guards in place.
- Only use the tool in good light and visibility. During the winter season beware of slippery or wet areas, ice and snow (risk of slipping). Always ensure a safe footing.
- Take care against injury to feet and hands from the cutting tool.
- Keep hands and feet away from the cutting means at all times and especially when switching on the motor.
- Never cut above waist height.
- Never stand on a ladder and run the tool.
- Never work on unstable surfaces.
- Don't overreach. Keep proper footing and balance at all times.
- Remove sand, stones, nails etc. found within the working range. Foreign particles may damage the cutting tool and can cause to be thrown away, resulting in a serious injury.
- Should the cutting tool hit stones or other hard objects, immediately switch off the motor and inspect the cutting tool.
- Before commencing cutting, the cutting tool must have reached full working speed.
- During operation always hold the tool with both hands. Never hold the tool with one hand during use. Always ensure a safe footing.
- All protective equipment such as guards supplied with the tool must be used during operation.
- Except in case of emergency, never drop or cast the tool to the ground or this may severely damage the tool.
- Never drag the tool on the ground when moving from place to place, the tool may become damaged if moved in this manner.
- Always remove the battery cartridge from the tool:
  - whenever leaving the tool unattended;
  - before clearing a blockage;
  - before checking, cleaning or working on the tool;
  - before making any adjustments, changing accessories or storing;
  - whenever the tool starts vibrating unusually;
  - whenever transporting the tool.
- Don't force the tool. It will do the job better and with less likelihood of a risk of injury at the rate for which it was designed.

## Maintenance instructions

- The condition of the cutting tool, protective devices and shoulder strap must be checked before commencing work.
- Turn off the motor and remove the battery cartridge before carrying out maintenance, replacing the cutting tool and cleaning the tool.

3. After use, disconnect the battery cartridge from the tool and check for damage.
4. Check for loose fasteners and damaged parts such as nearly halfway cut-off state in the cutting tool.
5. When not in use store the equipment in a dry location that is locked up or out of children's reach.
6. Use only the manufacturer's recommended replacement parts and accessories.
7. Always ensure that ventilation openings are kept clear of debris.
8. Inspect and maintain the tool regularly, especially before/after use. Have the tool repaired only by our authorized service center.
9. Keep handles dry, clean and free from oil and grease.
10. The contained lithium-ion batteries are subject to the Dangerous Goods Legislation requirements. For commercial transports e.g. by third parties, forwarding agents, special requirement on packaging and labeling must be observed. For preparation of the item being shipped, consulting an expert for hazardous material is required. Please also observe possibly more detailed national regulations. Tape or mask off open contacts and pack up the battery in such a manner that it cannot move around in the packaging.
11. Follow your local regulations relating to disposal of battery.

## SAVE THESE INSTRUCTIONS.

**⚠WARNING: DO NOT let comfort or familiarity with product (gained from repeated use) replace strict adherence to safety rules for the subject product. MISUSE or failure to follow the safety rules stated in this instruction manual may cause serious personal injury.**

### Important safety instructions for battery cartridge

1. Before using battery cartridge, read all instructions and cautionary markings on (1) battery charger, (2) battery, and (3) product using battery.
2. Do not disassemble battery cartridge.
3. If operating time has become excessively shorter, stop operating immediately. It may result in a risk of overheating, possible burns and even an explosion.
4. If electrolyte gets into your eyes, rinse them out with clear water and seek medical attention right away. It may result in loss of your eyesight.
5. Do not short the battery cartridge:
  - (1) Do not touch the terminals with any conductive material.
  - (2) Avoid storing battery cartridge in a container with other metal objects such as nails, coins, etc.
  - (3) Do not expose battery cartridge to water or rain.

A battery short can cause a large current flow, overheating, possible burns and even a breakdown.
6. Do not store the tool and battery cartridge in locations where the temperature may reach or exceed 50 °C (122 °F).
7. Do not incinerate the battery cartridge even if it is severely damaged or is completely worn out. The battery cartridge can explode in a fire.
8. Be careful not to drop or strike battery.
9. Do not use a damaged battery.

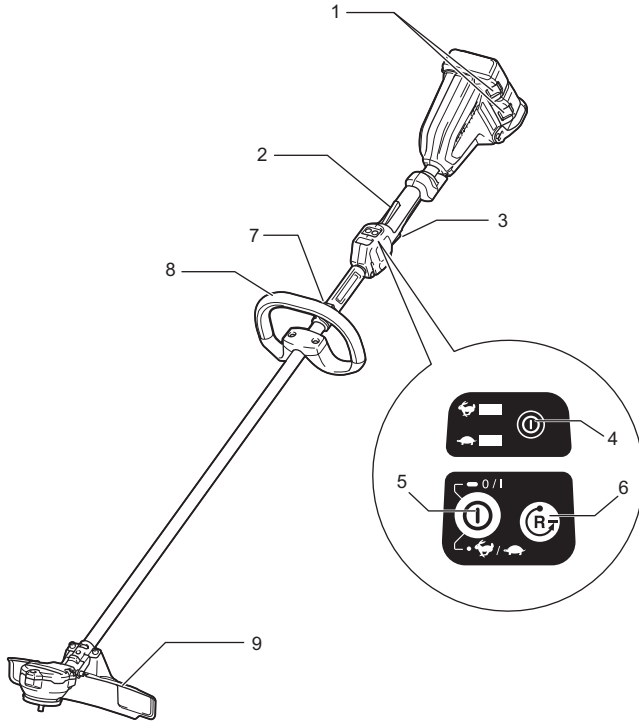
## SAVE THESE INSTRUCTIONS.

**⚠CAUTION: Only use genuine Makita batteries.** Use of non-genuine Makita batteries, or batteries that have been altered, may result in the battery bursting causing fires, personal injury and damage. It will also void the Makita warranty for the Makita tool and charger.

## Tips for maintaining maximum battery life

1. Charge the battery cartridge before completely discharged. Always stop tool operation and charge the battery cartridge when you notice less tool power.
2. Never recharge a fully charged battery cartridge. Overcharging shortens the battery service life.
3. Charge the battery cartridge with room temperature at 10 °C - 40 °C (50 °F - 104 °F). Let a hot battery cartridge cool down before charging it.
4. Charge the battery cartridge if you do not use it for a long period (more than six months).

# PARTS DESCRIPTION



1	Battery cartridge	2	Lock-off lever
3	Switch trigger	4	Power lamp
5	Main power button	6	Reverse button
7	Hanger	8	Grip
9	Protector (cutting tool guard)		

# FUNCTIONAL DESCRIPTION

## ⚠️WARNING:

- Always be sure that the tool is switched off and the battery cartridge is removed before adjusting or checking function on the tool. Failure to switch off and remove the battery cartridge may result in serious personal injury from accidental start-up.

## Installing or removing battery cartridge

► Fig.4: 1. Red indicator 2. Button 3. Battery cartridge

## ⚠️CAUTION:

- Always switch off the tool before installing or removing of the battery cartridge.
- Hold the tool and the battery cartridge firmly when installing or removing battery cartridge. Failure to hold the tool and the battery cartridge firmly may cause them to slip off your hands and result in damage to the tool and battery cartridge and a personal injury.

To remove the battery cartridge, slide it from the tool while sliding the button on the front of the cartridge. To install the battery cartridge, align the tongue on the battery cartridge with the groove in the housing and slip it into place. Insert it all the way until it locks in place with a little click. If you can see the red indicator on the upper side of the button, it is not locked completely.

## ⚠️CAUTION:

- Always install the battery cartridge fully until the red indicator cannot be seen. If not, it may accidentally fall out of the tool, causing injury to you or someone around you.
- Do not install the battery cartridge forcibly. If the cartridge does not slide in easily, it is not being inserted correctly.

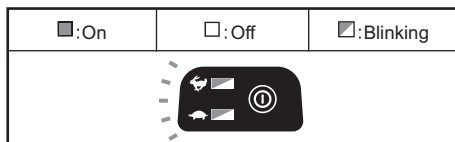
## NOTE:

- The tool does not work with only one battery cartridge.

## Tool / battery protection system

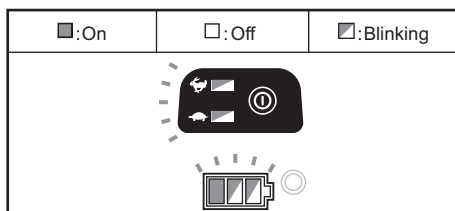
The tool is equipped with a tool/battery protection system. This system automatically cuts off power to the motor to extend tool and battery life. The tool will automatically stop during operation if the tool or battery is placed under one of the following conditions. In some conditions, the indicators light up.

## Overload protection



If the tool is overloaded by entangled weeds or other debris, the tool stops automatically, and the indicator lamps blink. In this situation, turn the tool off and stop the application that caused the tool to become overloaded. Then turn the tool on to restart.

## Overheat protection for tool



When the tool is overheated, the tool stops automatically, and the indicator lamps, and the battery indicator blink about 60 seconds. In this situation, let the tool cool down before turning the tool on again.

## Overdischarge protection

When the battery capacity becomes low, the tool stops automatically. If the product does not operate even when the switches are operated, remove the batteries from the tool and charge the batteries.

## Indicating the remaining battery capacity

(Only for battery cartridges with "B" at the end of the model number.)

► Fig.5: 1. Indicator lamps 2. CHECK button

Press the check button on the battery cartridge to indicate the remaining battery capacity. The indicator lamps light up for few seconds.

Indicator lamps			Remaining capacity
Lighted	Off	Blinking	
			75% to 100%
			50% to 75%
			25% to 50%
			0% to 25%
			Charge the battery.
			The battery may have malfunctioned.

**NOTE:**

- Depending on the conditions of use and the ambient temperature, the indication may differ slightly from the actual capacity.

## Remaining battery capacity indication

(Country specific)

► **Fig.6:** 1. Battery indicator 2. CHECK button

Press the check button to make the battery indicators show the remaining battery capacities. The battery indicators correspond to each battery.

## Remaining battery capacity indication

Battery indicator status	Remaining battery capacity
	50 % - 100 %
	20 % - 50 %
	0 % - 20 %
	Charge the battery

## Power switch action

### ⚠ **WARNING:**

- Before inserting the battery cartridge into the tool, always check to see that the switch trigger actuates properly and returns to the "OFF" position when released. Operating a tool with a switch that does not actuate properly can lead to loss of control and serious personal injury.

► **Fig.7:** 1. Main power button

Press and hold the main power button for some seconds to turn on the tool.

To turn off the tool, press and hold the main power button again.

► **Fig.8:** 1. Lock-off lever 2. Switch trigger

To prevent the switch trigger from being accidentally pulled, a lock-off lever is provided.

To start the tool, grasp the rear handle (the lock-off lever is released by the grasp) and then pull the switch trigger. To stop the tool, release the switch trigger.

### **NOTE:**

- The tool is automatically turned off after the tool is left one minute without any operations.

## Speed adjusting

► **Fig.9:** 1. Main power button

You can adjust the tool speed by tapping the main power button.

Each time you tap the main power button, indicator or indicator lights up. is for high speed and for low speed.

## Reverse button for debris removal

### ⚠ **WARNING:**

- Switch off the tool and remove the battery cartridge before you remove entangled weeds or debris which the reverse rotation function can not remove. Failure to switch off and remove the battery cartridge may result in serious personal injury from accidental start-up.

► **Fig.10:** 1. Reverse button

This tool has a reverse button to change the direction of rotation. It is only for removing weeds and debris entangled in the tool.

To reverse the rotation, tap the reverse button and pull the trigger when the tool's head is stopped. The power lamp starts blinking, and the tool's head rotates in reverse direction when you pull the switch trigger.

To return to regular rotation, release the trigger and wait until the tool's head stops.

### **NOTE:**

- During the reverse rotation, the tool operates only for a short period of time and then automatically stops.
- Once the tool is stopped, the rotation returns to regular direction when you start the tool again.
- If you tap the reverse button while the tool's head is still rotating, the tool comes to stop and to be ready for reverse rotation.

## Nylon cutting head (optional accessory)

### **NOTICE:**

- The bump feed will not operate properly if the head is not rotating.

► **Fig.11:** 1. Most effective cutting area

The nylon cutting head is a dual string trimmer head provided with a bump & feed mechanism.

To cause the nylon cord to feed out, the cutting head should be bumped against the ground while rotating.

**NOTE:** If the nylon cord does not feed out while bumping the head, rewind/replace the nylon cord by following the procedures described under "Maintenance".



## ASSEMBLY

### **⚠ WARNING:**

- **Always be sure that the tool is switched off and battery cartridge is removed before carrying out any work on the tool.** Failure to switch off and remove the battery cartridge may result in serious personal injury from accidental start-up.
- **Never start the tool unless it is completely assembled.** Operation of the tool in a partially assembled state may result in serious personal injury from accidental start-up.

## Installing the grip

- **Fig.12:** 1. Grip 2. Hex bolt 3. Cover 4. Clamp 5. Hanger

Fit the grip onto the pipe and tighten it with two hex bolts. Make sure that the grip is located further than the hanger.

## Installing the guard

### **⚠ WARNING:**

- **Never use the tool without the guard illustrated in place.** Failure to do so can cause serious personal injury.

### **⚠ CAUTION:**

- Take care not to injure yourself on the cutter for cutting the nylon cord.

- **Fig.13:** 1. Cutter 2. Clamp 3. Bolt

- **Fig.14:** 1. Cutter 2. Clamp 3. Bolt

(The shape of the guard may differ from country to country.)

Align the clamp on the pipe with the protector. And tighten them with bolts.

## Installing nylon cutting head or plastic blade (optional accessory)

### **⚠ CAUTION:**

- **If the nylon cutting head / plastic blade accidentally impacts a rock or hard object during operation, stop the tool and inspect for any damage. If the nylon cutting head / plastic blade is damaged, replace it immediately.** Use of a damaged cutting tool could result in serious personal injury.

### **NOTICE:**

- Be sure to use genuine Makita nylon cutting head / plastic blade.

Turn the tool upside down so that you can replace the nylon cutting head easily.

- **Fig.15:** 1. Nylon cutting head 2. Metal guard 3. Receive washer 4. Hex wrench

- **Fig.16:** 1. Plastic blade 2. Nut 3. Metal guard 4. Receive washer 5. Hex wrench

Insert the hex wrench through the hole on the motor housing and rotate the receive washer until it is locked with the hex wrench. Place the nylon cutting head / plastic blade onto the threaded spindle directly and tighten it by turning it clockwise. Remove the hex wrench.

To remove the nylon cutting head / plastic blade, turn it counterclockwise while holding the receive washer with the hex wrench.

## Hex wrench storage

- **Fig.17:** 1. Hex wrench

When not in use, store the hex wrench as shown in the figure to keep it from being lost.

## OPERATION

## Correct handling of tool

### Correct posture

### **⚠ WARNING:**

- **Always position the tool on your right-hand side.** Correct positioning of the tool allows for maximum control and will reduce the risk of serious personal injury caused by kickback.
- **Be extremely careful to maintain control of the tool at all times. Do not allow the tool to be deflected toward you or anyone in the work vicinity.** Failure to keep control of the tool could result in serious injury to the bystander and the operator.

- **Fig.18**

## Shoulder harness

### *Optional accessory*

### Attachment of shoulder harness

- **Fig.19:** 1. Buckle 2. Hook

Put the shoulder harness on. Then connect the buckles on both the hook and the harness. Be sure that the buckles click and lock completely in place.

### Detachment

- **Fig.20:** 1. Buckle

The buckle is provided with a means of quick release. Simply squeeze the sides and the buckle to release the tool.

### Adjustment of the hanger position and shoulder harness

- **Fig.21:** 1. Hex bolt

To change the hanger position, loosen the hex bolt on the hanger with the supplied wrench. Then move the hanger.

After adjusting the hanger position, tighten the hex bolt with the wrench securely.

# MAINTENANCE

## **⚠ WARNING:**

- **Always be sure that the tool is switched off and battery cartridge is removed before attempting to perform inspection or maintenance on the tool.** Failure to switch off and remove the battery cartridge may result in serious personal injury from accidental start-up.

## **NOTICE:**

Never use gasoline, benzine, thinner, alcohol or the like. Discoloration, deformation or cracks may result.

## Replacing the nylon cord

## **⚠ WARNING:**

- **Never use metal wire, rope or the like.** Use recommended nylon cord only, otherwise it may cause damage to the tool and result in serious personal injury.
- **Make sure that the cover of the nylon cutting head is secured to the housing properly as described below.** Failure to properly secure the cover may cause the nylon cutting head to fly apart resulting in serious personal injury.

### ► Fig.22

Take off cover from housing, pressing two latches which are slotted section oppositely on side of housing.

### ► Fig.23: 1. 80-100 mm

Cut a nylon line in 3 m. Fold the cutting line in two halves, leave one of half longer 80-100 mm than another.

### ► Fig.24

Hook the middle of the new nylon cord to the notch located at the center of the spool between the 2 channels provided for the nylon cord.

Wind both ends firmly around the spool in the direction marked on the head for right hand direction indicated by RH.

### ► Fig.25

Wind all but about 100 mm of the cords, leaving the ends temporarily hooked through a notch on the side of the spool.

### ► Fig.26

Mount the spool on the cover so that the grooves and protrusions on the spool match up with those on the cover. Now, unhook the ends of the cord from their temporary position and feed the cords through the eyelets to come out of the cover.

### ► Fig.27

Align the protrusion on the underside of the cover with the slots of the eyelets. Then push the cover firmly onto the housing to secure it. Make sure the latches fully spread in the cover.

## Replacing the blade for plastic blade

### ► Fig.28

Replace the blade when it is worn out or broken.

To maintain product SAFETY and RELIABILITY, repairs, any other maintenance or adjustment should be performed by Makita Authorized Service Centers, always using Makita replacement parts.

# TROUBLE SHOOTING

Before asking for repairs, conduct your own inspection first. If you find a problem that is not explained in the manual, do not attempt to dismantle the tool. Instead, ask Makita Authorized Service Centers, always using Makita replacement parts for repairs.

Malfunction status	Cause	Action
Motor does not run.	Battery cartridge is not installed.	Install the battery cartridge.
	Battery problem (under voltage)	Recharge the battery. If recharging is not effective, replace battery.
	The drive system does not work correctly.	Ask your local authorized service center for repair.
Motor stops running after a little use.	Rotation is in reverse.	Change the direction of rotation with the reversing switch.
	Battery's charge level is low.	Recharge the battery. If recharging is not effective, replace battery.
	Overheating.	Stop using of tool to allow it to cool down.
It does not reach maximum RPM.	Battery is installed improperly.	Install the battery cartridge as described in this manual.
	Battery power is dropping.	Recharge the battery. If recharging is not effective, replace battery.
	The drive system does not work correctly.	Ask your local authorized service center for repair.
Cutting tool does not rotate: stop the machine immediately!	Foreign object such as a branch is jammed between the guard and the nylon cutting head.	Remove the foreign object.
	The drive system does not work correctly.	Ask your local authorized service center for repair.
Abnormal vibration: stop the machine immediately!	One end of the nylon cord has been broken.	Bump the nylon cutting head against the ground while it is rotating to cause the cord to feed.
	The drive system does not work correctly.	Ask your local authorized service center for repair.
Cutting tool and motor cannot stop: Remove the battery immediately!	Electric or electronic malfunction.	Remove the battery and ask your local authorized service center for repair.

# OPTIONAL ACCESSORIES

## **⚠ WARNING:**

- **Do not mount a blade on this tool and only use the recommended accessories or attachments indicated in this manual.** The use of a blade or any other accessory or attachment may result in serious personal injury.

## **⚠ CAUTION:**

- These accessories or attachments are recommended for use with your Makita tool specified in this manual. The use of any other accessories or attachments might present a risk of injury to persons. Only use accessory or attachment for its stated purpose.

If you need any assistance for more details regarding these accessories, ask your local Makita Service Center.

- Nylon cutting head
- Nylon cord (cutting line)
- Plastic blade
- Shoulder harness
- Makita genuine battery and charger

## **NOTE:**

- Some items in the list may be included in the tool package as standard accessories. They may differ from country to country.

# SPECIFIKATIONER

Modell	DUR364L			
Handtagsmodell	Handtagsögla			
Obelastat varvtal	5 000 / 6 500 min <sup>-1</sup>			
Total längd	1 754 mm			
Diameter för nylontråd	2,0 – 2,4 mm			
Tillämpligt skärverktyg	Trimmerhuvud (art.nr. 197297-1)	Plastkniv (art.nr. 197188-6)	Trimmerhuvud (art.nr. 197297-1)	Plastkniv (art.nr. 197188-6)
Skärknivens diameter	350 mm	255 mm	350 mm	255 mm
Märkspänning	36 V likström			
Vikt	4,0 kg	3,9 kg	4,5 kg	4,4 kg
Standard batterikasset	BL1815N / BL1820 / BL1820B		BL1830 / BL1830B / BL1840 / BL1840B / BL1850 / BL1850B / BL1860B	

- På grund av vårt pågående program för forskning och utveckling kan dessa specifikationer ändras utan föregående meddelande.
- Specifikationer och batterikasset kan variera från land till land.
- Vikt med batterikasset i enlighet med EPTA-procedur 01/2003

Buller	Genomsnittlig ljudtrycksnivå	Genomsnittlig ljudeffektnivå		Tillämplig standard
	L <sub>PA</sub> (dB (A))	L <sub>WA</sub> (dB (A))	Måttolerans K (dB (A))	
Trimmerhuvud	81	89	0,3	2000/14/EC
Plastkniv	83	92	0,3	

Vibration	Vänster hand		Höger hand		Tillämplig standard
	a <sub>n,w</sub> (m/s <sup>2</sup> )	Måttolerans K (m/s <sup>2</sup> )	a <sub>n,w</sub> (m/s <sup>2</sup> )	Måttolerans K (m/s <sup>2</sup> )	
Trimmerhuvud	≤ 2,5	1,5	≤ 2,5	1,5	EN50636-2-91
Plastkniv	≤ 2,5	1,5	≤ 2,5	1,5	

**OBS:** Det deklarerade vibrationsemissionsvärdet har uppmätts i enlighet med standardtestmetoden och kan användas för jämförandet av en maskin med en annan.






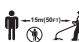




**OBS:** Det deklarerade vibrationsemissionsvärdet kan också användas i preliminär bedömning av exponering för vibration.

**⚠ VARNING:** Vibrationsemissionen under faktisk användning av maskinen kan skilja sig från det deklarerade emissionsvärdet, beroende på hur maskinen används.

**⚠ VARNING:** Se till att hitta säkerhetsåtgärder som kan skydda användaren och som grundar sig på en uppskattning av exponering i verkligheten (ta med i beräkningen alla delar av användandet såsom antal gånger maskinen är avstängd och när den körs på tomgång samt då startomkopplaren används).

## Symboler

Följande visar symbolerna som används för utrustningen. Se till att du förstår innebörden innan du använder bormaskinen.

	Var särskilt försiktig och uppmärksam!
	Läs igenom bruksanvisningen.
	Fara! Se upp för flygande föremål.
	Avståndet mellan maskinen och åskådare måste vara minst 15 m.
	Håll åskådare på avstånd.
	Håll avstånd på minst 15 m.
	Använd hjälm, skyddsglasögon och hörselskydd.
	Bär skyddshandskar.
	Använd kraftiga stövlar med halkfri sula. Skyddsstövlar med stålförstärkt tåhätta rekommenderas.
	Utsett inte maskinen för fukt.



Högsta tillåtna maskinhastighet.



Använd aldrig metallknivar.



Gäller endast EU-länder  
Elektrisk utrustning eller batteripaket får inte kastas i hushållssoporna!  
Enligt EU-direktiven som avser förbrukad elektrisk och elektronisk utrustning, batterier, ackumulatörer, förbrukade batterier och ackumulatörer, samt direktivens tillämpning enligt nationell lagstiftning, ska uttjänt elektrisk utrustning, batterier och batteripaket sorteras separat och lämnas till miljövänlig återvinning.

## Gäller endast Europa

## EU-konformitetsdeklaration

### Makita försäkrar att följande maskiner:

Maskinbeteckning:  
Batteridrivna grästrimmer  
Modellnr./-typ: DUR364L  
Specifikationer: se tabellen "SPECIFIKATIONER".

### Följer följande EU-direktiv:

2000/14/EU, 2006/42/EU

De är tillverkade i enlighet med följande standard eller standardiseringsdokument:

EN60335, EN/ISO11806, EN50636

Den tekniska dokumentationen i enlighet med 2006/42/EG finns tillgänglig från:

Makita, Jan-Baptist Vinkstraat 2, 3070, Belgium

Proceduren för konformitetsbedömning som erfordras enligt direktiv 2000/14/EU var i enlighet med tillägg V.

### Med plastkniv

Uppmätt ljudeffektnivå 92 dB (A)  
Garanterad ljudeffektnivå 92 dB (A)

Bedömningen av överensstämmelse som krävs enligt direktiv 2000/14/EU var i enlighet med bilaga VI.

Anmält organ:

TÜV Rheinland LGA Products GmbH  
Tillystraße 2  
90431 Nürnberg, Tyskland  
Identifikationsnr. 0197

### Med trimmerhuvud

Uppmätt ljudeffektnivå 89 dB (A)  
Garanterad ljudeffektnivå 90 dB (A)

1.10.2015

Yasushi Fukaya  
Direktör

Makita, Jan-Baptist Vinkstraat 2, 3070, Belgium

## VIKTIGA SÄKERHETSANVISNINGAR

**⚠️WARNING! Läs igenom alla säkerhetsvarningar och anvisningar.** Underlåtenhet att följa varningar och anvisningar kan leda till elektrisk stöt, brand och/eller allvarliga personskador.

## Spara alla varningar och instruktioner för framtida referens.

1. Bekanta dig med manöverkontrollerna och den korrekta användningen av utrustningen.
2. Skärande delar fortsätter att rotera efter det att motorn stängts av.
3. Låt aldrig maskinen användas av barn eller personer som inte känner till dessa anvisningar.
4. Använd aldrig maskinen när personer (speciellt barn) eller djur finns i närheten.
5. Använd endast maskinen i dagsljus eller i god belysning.
6. Innan du använder maskinen eller efter att den fått ett slag, ska du kontrollera om det finns tecken på slitage eller skada och reparera vid behov.
7. Var försiktig så att du inte skadar dig på någon del avsedd för trimning av trädens längd. Efter att ny skärtråd har dragits ut, ska maskinen alltid återföras till sitt normala driftsläge innan den startas.
8. Sätt aldrig dit skärande metallföremål.
9. Denna maskin är inte avsedd att användas av personer (inklusive barn) med nedsatt fysisk, sensorisk eller mental förmåga, eller personer utan erfarenhet av och kunskap om maskinen, såvida de inte har övervakats eller fått instruktioner angående användningen av maskinen av en person som är ansvarig för deras säkerhet. Barn ska övervakas så att de inte leker med maskinen.
10. Använd maskinen med största försiktighet och uppmärksamhet.
11. Använd endast maskinen när du är i god fysisk kondition. Utför allt arbete noggrant och i lugnt tempo. Använd sunt förnuft och glöm inte att användaren är ansvarig för olyckor eller eventuellt fara gentemot andra personer och deras egendom.
12. Arbeta aldrig med maskinen när du är trött, känner dig sjuk eller under påverkan av alkohol eller droger.
13. Maskinen ska stängas av omedelbart om den visar tecken på något onormalt.

## Maskinens användningsområde

1. Använd rätt maskin. Den batteridrivna grästrimmern är endast avsedd för klippning av gräs och lätt ogräs. Den ska inte användas för något annat ändamål som t.ex. häckklippning eftersom detta kan orsaka skada.

## Personlig skyddsutrustning

► Fig.1

► Fig.2

1. Klä dig rätt. Tänk på att ha en bekväm och funktionell klädsel med god passform, dvs varken för hårt eller löst sittande plagg. Bär varken smycken eller kläder som kan trassla in sig. Använd skyddsmössa om du har långt hår.
2. Bär alltid kraftiga skor med halkfri sula när du arbetar med maskinen. Detta skyddar mot skador och garanterar en god balans.
3. Bär skyddsglasögon eller korgglasögon.

## EI- och batterisäkerhet

1. Undvik farlig miljö. Använd inte maskinen på fuktiga eller blöta områden, eller utsätt den för regn. Vatten som kommer in i maskinen ökar risken för elektrisk stöt.
2. Ladda endast med den laddare som angivits av tillverkaren. En laddare som passar en typ av batteri kan skapa risk för brand när den används tillsammans med annan typ av batteri.
3. Använd endast maskiner tillsammans med tillhörande batterier. Om andra batterier används kan risken för personskada och brand öka.
4. När batteriet inte används bör det hållas borta från andra metallföremål som till exempel gem, mynt, nycklar, spik, skruvar eller andra små metallföremål som kan skapa anslutning från en terminal till en annan. Kortslutning av batteripolerna kan orsaka brännskador eller brand.
5. Under hårda förhållande kan det komma vätska ur batteriet. Undvik kontakt. Spola med vatten om kontakt ändå råkar uppstå. Om du får vätska i ögonen ska du uppsöka läkare. Vätska från batteriet kan orsaka hudirritation eller ge brännskador.
6. Släng inte batteriet/batterierna i öppen eld. Cellen kan explodera. Kontrollera de lokala reglerna för möjlig speciell avfallshantering.
7. Öppna inte eller förstör batteriet/batterierna. Elektrolyt som kommer ut är frätande och kan ge ögon- eller hudskador. Det kan vara giftigt vid intag.

## Starta maskinen

► Fig.3

1. Kontrollera att barn och andra obehöriga inte befinner sig inom ett arbetsområde av 15 meter (50 ft) från maskinen, och var även uppmärksam på eventuella djur i omgivningen. I annat fall ska du sluta att använda maskinen.
2. Kontrollera alltid före användningen att maskinen är säker att använda. Kontrollera säkerheten för klippverktyget och skyddet samt avtryckaren/startspaken för enkel och korrekt funktion. Kontrollera att handtagen är rena och torra, och testa strömbrytarens on/off-funktion (på/av).

3. Kontrollera skadade delar före fortsatt användning av maskinen. Ett skydd eller annan del som är skadad, ska noggrant kontrolleras för att avgöra om den kommer att fungera korrekt och utför det arbete som den är avsedd för. Kontrollera inriktningen och fästet för rörliga delar, om det finns trasiga delar, monteringen eller andra förhållande som kan påverka användningen av maskinen. Ett skydd eller annan del som är skadad ska repareras ordentligt eller bytas ut av en auktoriserad serviceverkstad om inte något annat anges i denna bruksanvisning.
4. Starta endast motorn när du inte har dina händer och fötter i närheten av skärverktyget.
5. Kontrollera innan du startar att skärverktyget inte är i kontakt med hårda föremål såsom grenar, stenar etc. eftersom skärverktyget roterar vid start.

## Arbetsmetod

1. Kör aldrig maskinen med skadade skydd eller utan skydden på plats.
2. Använd endast maskinen då du har goda ljus- och siktförhållanden. Var uppmärksam på våta och hala fläckar, snö och is under vintersäsongen (halkrisk). Se till att alltid ha bra fotfäste.
3. Var försiktig så att du inte skadar händer och fötter på skärverktyget.
4. Håll alltid händer och fötter borta från skärande delar, särskilt när du startar motorn.
5. Klipp aldrig över midjehöjd.
6. Stå aldrig på en steg när du kör maskinen.
7. Arbeta aldrig på ostadigt underlag.
8. Översträck inte. Stå alltid stabilt och ha god balans.
9. Ta bort sand, stenar, spikar etc. som finns i arbetsområdet. Främmande föremål kan skada skärverktyget och kastas iväg vilket kan orsaka allvarlig skada.
10. Stäng omedelbart av motorn och inspektera skärverktyget om det har slagit i stenar eller andra hårda föremål.
11. Innan klippningen kan börja måste skärverktyget uppnått full arbetshastighet.
12. Håll alltid maskinen med båda händerna under arbetet. Håll aldrig maskinen med en hand under användningen. Se till att alltid ha bra fotfäste.
13. All skyddsutrustning såsom skydd som medföljer maskinen, måste användas när du arbetar med maskinen.
14. Tappa inte eller kasta maskinen på marken förutom i nödsituationer eftersom det allvarligt kan skada den.
15. Dra aldrig maskinen på marken när du flyttar den från plats till plats. I annat fall kan den skadas.
16. Ta alltid bort batterikassetten från maskinen:
  - när maskinen lämnas utan uppsikt.
  - innan du tar bort något som fastnat.
  - innan maskinen kontrolleras, rengörs eller något arbete utförs på den.

- innan justeringar, byte av tillbehör eller förvaring.
  - när maskinen börjar vibrera onormalt.
  - när maskinen transporteras.
17. Tvinga inte maskinen. Den gör sitt arbete bättre och med mindre risk för olycka med den fart som den är konstruerad för.

## Underhållsanvisningar

1. Skärverktygets, skyddsensheternas och axelbandets förhållande måste kontrolleras innan arbetet påbörjas.
2. Stäng av motorn och ta bort batterikassetten innan du utför något underhållsarbete, byter ut skärverktyget eller rengör maskinen.
3. Ta bort batterikassetten från maskinen och kontrollera så att det inte finns några skador efter användningen.
4. Kontrollera om det finns lösa fästankordningar eller skadade delar såsom sprickor nästan halvvägs genom skärverktyget.
5. När utrustningen inte används ska den förvaras på en torr plats som är låst eller utom räckhåll för barn.
6. Använd endast tillverkarens rekommenderade reservdelar och tillbehör.
7. Försäkra dig alltid om att ventilationshålen är fria från skräp.
8. Inspektera och underhåll maskinen regelbundet, speciellt före och efter användning. Låt endast vårt auktoriserade servicecenter reparera maskinen.
9. Håll handtag torra, rena och fria från olja och fett.

## SPARA DESSA ANVISNINGAR.

**⚠VARNING:** GLÖM INTE att noggrant följa säkerhetsanvisningarna för maskinen även efter det att du har blivit van att använda den. **OVARSAM** hantering eller underlåtenhet att följa säkerhetsanvisningarna i denna bruksanvisning kan leda till allvarliga personskador.

### Viktiga säkerhetsanvisningar för batterikassetten

1. Innan batterikassetten används ska alla instruktioner och varningsmärken på (1) batteriladdaren, (2) batteriet och (3) produkten läsas.
2. Montera inte isär batterikassetten.
3. Om drifttiden blivit avsevärt kortare ska användningen avbrytas omedelbart. Det kan uppstå överhettning, brännskador och t o m en explosion.
4. Om du får elektrolyt i ögonen ska de sköljas med rent vatten och läkare uppsöks omedelbart. Det finns risk för att synen förloras.

5. **Kortslut inte batterikassetten.**
  - (1) Rör inte vid polerna med något strömförande material.
  - (2) Undvik att förvara batterikassetten tillsammans med andra metallobjekt som t.ex. spikar, mynt o.s.v.
  - (3) Skydda batteriet mot vatten och regn. En batterikortslutning kan orsaka ett stort strömflöde, överhettning, brand och maskinhaveri.
6. Förvara inte maskinen och batterikassetten på platser där temperaturen kan nå eller överstiga 50 °C.
7. Bränn inte upp batterikassetten även om den är svårt skadad eller helt utsliten. Batterikassetten kan explodera i öppen eld.
8. Var försiktig så att du inte råkar tappa batteriet och utsätt det inte för stötar.
9. Använd inte ett skadat batteri.
10. De medföljande litiumjonbatterierna är föremål för kraven i gällande lagstiftning för farligt gods. För kommersiella transporter (av t.ex. tredje parter som speditorsfirmor) måste de särskilda transportkrav som anges på emballaget och etiketter iakttas. För att förbereda den produkt som ska avsändas krävs att du konsulterar en expert på riskmaterial. Var också uppmärksam på att det i ditt land kan finnas ytterligare föreskrifter att följa. Tejpa över eller maskera blottade kontakter och packa batteriet på sådant sätt att det inte kan röra sig fritt i förpackningen.
11. Följ lokala föreskrifter beträffande avfallshandling av batteriet.

## SPARA DESSA ANVISNINGAR.

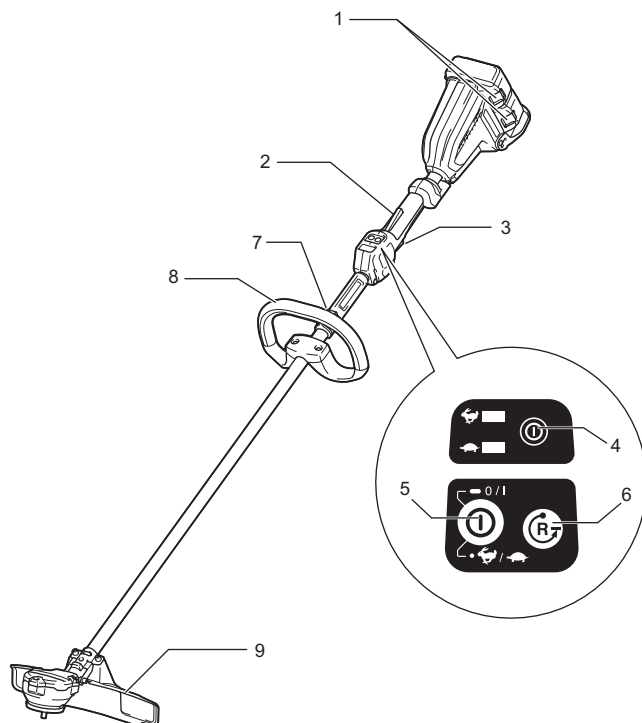
**⚠FÖRSIKTIGT:** Använda endast äkta Makita-batterier. Användning av oäkta Makita-batterier eller batterier som har manipulerats kan leda till person- och utrustningsskador eller till att batteriet fattar eld. Det upphäver också Makitas garanti för verktyget och laddaren.

## Tips för att uppnå batteriets maximala livslängd

1. Ladda batterikassetten innan den är helt urladdad. Stanna alltid maskinen och ladda batterikassetten när du märker att maskinen blir svagare.
2. Ladda aldrig en fulladdad batterikasset. Överladdning förkortar batteriets livslängd.
3. Ladda batterikassetten vid en rumstemperatur på 10 °C - 40 °C. Låt en varm batterikasset svalna innan den laddas.
4. Ladda batterikassetten om du inte har använt den på länge (mer än sex månader).



# BESKRIVNING AV DELAR



1	Batterikassett	2	Startspärr
3	Avtryckare	4	Strömlampa
5	Strömbrytare	6	Backknapp
7	Ögla	8	Handtag
9	Skydd (skydd för skärverktyg)		

# FUNKTIONSBESKRIVNING

## ⚠ VARNING:

- Se alltid till att maskinen är avstängd och att batterikassetten är borttagen innan du justerar verktyget eller kontrollerar dess funktion. I annat fall kan det leda till allvariga personskadorna vid en oavsiktlig start.

## Montera eller demontera batterikassetten

► Fig.4: 1. Röd indikator 2. Knapp 3. Batterikassett

## ⚠ FÖRSIKTIGT:

- Stäng alltid av maskinen innan du monterar eller tar bort batterikassetten.
- Håll stadigt i maskinen och batterikassetten när du installerar eller tar bort batterikassetten. Om du inte håller stadigt i maskinen och batterikassetten kan de halka ur dina händer och skadas samt orsaka personskada.

Ta bort batterikassetten genom att skjuta ner knappen på kassetten framsida samtidigt som du drar ut batterikassetten. Sätt i batterikassetten genom att rikta in tungan på batterikassetten mot spåret i höljets och skjut den på plats. Tryck in batterikassetten ordentligt tills den låser fast med ett klick. Om du kan se den röda indikatorn på knappens ovansida är batterikassetten inte låst ordentligt.

## ⚠ FÖRSIKTIGT:

- Sätt alltid i batterikassetten helt tills den röda indikatorn inte längre syns. I annat fall kan den oöventat falla ur maskinen och skada dig eller någon annan.
- Montera inte batterikassetten med våld. Om kassetten inte lätt glider på plats är den felinsatt.

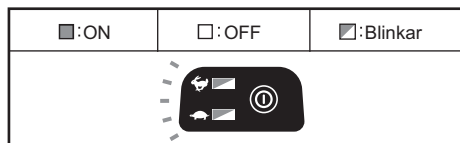
## OBS:

- Maskinen fungerar inte med endast en batterikassett.

## Skyddssystem för maskinen/ batteriet

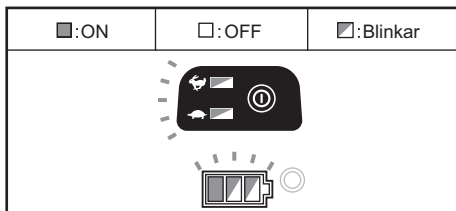
Maskinen är utrustad med ett maskin-/batteriskyddssystem. Detta system bryter automatiskt strömmen till motorn för att förlänga maskinens och batteriets livslängd. Maskinen stannar automatiskt under användningen om den eller batteriet hamnar i en av följande situationer. I vissa situationer tänds indikatorerna.

## Överbelastningsskydd



Om maskinen överbelastas av intrasslade ogräs eller annat skräp stoppar maskinen automatiskt och indikatorn för och blinkar. Om detta sker stänger du av maskinen och upphör med arbetet som gjorde att den överbelastades. Starta därefter upp maskinen igen.

## Överhettningsskydd för maskinen



Om maskinen är överhettad stoppar den automatiskt och indikatorn för och samt batteri blinkar i cirka 60 sekunder. Låt då maskinen svalna innan du startar den igen.

## Överurladdningsskydd

När batteriets kapacitet är låg stoppar maskinen automatiskt. Om produkten inte fungerar trots att knapparna fungerar som de ska tar du bort batterierna från maskinen och laddar dem.

## Indikerar resterande batterikapacitet

(Endast för batterikassetter med "B" i slutet av modellnumret.)

► Fig.5: 1. Indikatorlampor 2. CHECK-knapp

Tryck på kontrollknappen på batterikassetten för att ange återstående batterikapacitet. Indikatorlamporna tänds under några sekunder.

Indikatorlampor			Återstående kapacitet
Tänd	OFF	Blinkar	
			75 % till 100 %
			50 % till 75 %
			25 % till 50 %
			0 % till 25 %
			Ladda batteriet.
			Det kan ha uppstått fel på batteriet.

## OBS:

- Beroende på användningsförhållanden och den omgivande temperaturen kan indikationen skilja sig lätt från den faktiska batterikapaciteten.

## Indikering av återstående batterikapacitet

(Landsspecifik)

► Fig.6: 1. Batteriindikator 2. CHECK-knapp

Tryck på kontrollknappen för att batteriindikeringarna ska visa återstående batterikapacitet. Batteriindikeringarna motsvarar varje batteri.

## Indikering av återstående batterikapacitet

Batteriindikator, status	Återstående batterikapacitet
:ON :OFF :Blinkar	
	50 % - 100 %
	20 % - 50 %
	0 % - 20 %
	Ladda batteriet

## Säkerhetsgreppfunktion

### ⚠ VARNING:

- Innan du sätter i batterikassetten i maskinen ska du alltid kontrollera att avtryckaren fungerar och att den återgår till läget "OFF" när du släpper den. Om du använder en maskin med en avtryckare som inte fungerar korrekt kan det leda till att du tappar kontrollen över maskinen och orsakar allvarlig personskada.

#### ► Fig.7: 1. Strömbrytare

Tryck och håll in strömbrytaren i några sekunder för att starta maskinen.

Om du vill stänga av maskinen, tryck och håll in strömbrytaren igen.

#### ► Fig.8: 1. Startspär 2. Avtryckarknapp

Säkerhetsspärrens funktion är att förhindra att avtryckaren oavsiktligt trycks in.

För att starta maskinen greppar du det bakre handtaget (säkerhetsspärren frigörs med det greppet) och trycker in avtryckaren. För att stoppa maskinen släpper du avtryckaren.

### OBS:

- Maskinen stängs av automatiskt när du har låtit den vila i en minut utan någon åtgärd.

## Hastighetsinställning

#### ► Fig.9: 1. Strömbrytare

Du kan ställa in maskinhastigheten genom att trycka lätt på strömbrytaren.

Varje gång du trycker lätt på strömbrytaren tänds eller -indikatorn. visas för hög hastighet och visas för låg hastighet.

## Reverseringsknapp för borttagning av skräp

### ⚠ VARNING:

- Stäng av maskinen och ta bort batterikassetten innan du tar bort intrasslade ogräs eller skräp som inte kan tas bort med reverseringsknappen. Om du inte stänger av maskinen och tar bort batterikassetten kan maskinen oavsiktligt starta vilken kan resultera i allvarlig personskada.

#### ► Fig.10: 1. Backknapp

Denna maskin har en reverseringsknapp som ändrar rotationsriktningen. Den är endast till för borttagning av ogräs och skräp som fastnat i maskinen.

För att ändra rotationsriktningen trycker du lätt på reverseringsknappen och trycker in avtryckaren när maskinens huvud har stoppat. Strömlampnan blinkar och maskinens huvud ändrar rotationsriktning när du trycker in avtryckaren. För att återgå till normal rotation släpper du avtryckaren och väntar tills maskinens huvud har stoppat.

### OBS:

- I det reverserade läget arbetar maskinen endast en kort stund och stänger sedan av automatiskt.
- När maskinen har stoppats och du startar den igen återgår den till att rotera i normal riktning.
- Om du trycker lätt på reverseringsknappen medan maskinens huvud roterar stoppar den och är sedan klar att rotera i den andra riktningen.

## Trimmerhuvud (extra tillbehör)

### OBS:

- Stöt- och matarfunktionen kommer inte att fungera korrekt om huvudet inte roterar.

#### ► Fig.11: 1. Effektivaste skärområde

Trimmerhuvudet är ett dubbelfunktionellt grästrimmerhuvud med en stöt- och matarmekanism.

För att mata ut nylontråd ska trimmerhuvudet stötas i marken medan det roterar.

**OBS:** Om nylontråden inte matas ut vid stöt, vira upp/ byt ut nylontråden genom att följa procedurerna som beskrivs i avsnittet "Underhåll".

## MONTERING

### ⚠ VARNING:

- Se alltid till att maskinen är avstängd och att batterikassetten är borttagen innan du utför något arbete på maskinen. I annat fall kan det leda till allvarlig personskada vid en oavsiktlig start.
- Starta aldrig maskinen om den inte är komplett monterad. I annat fall kan det resultera i allvarlig personskada på grund av oavsiktlig start.

## Installera handtaget

#### ► Fig.12: 1. Grepp 2. Sexkantskruv 3. Kåpa 4. Klämma 5. Ögla

Passa in handtaget på röret och dra åt det med två sexkantsbultar. Se till att handtaget sitter på avstånd från hängaren.

## Montering av skyddet

### ⚠ VARNING:

- Använd aldrig maskinen utan skyddet på plats, såsom illustreras. I annat fall kan det orsaka allvarlig personskada.

### ⚠ FÖRSIKTIGT:

- Var försiktig så att du inte skadar dig själv på skärbladet som skär av nylontråden.

► **Fig.13:** 1. Kniv 2. Klämman 3. Bult

► **Fig.14:** 1. Kniv 2. Klämman 3. Bult

(Skyddets form kan variera från land till land.)

Rikta in klämman på röret med skyddet. Fäst dem med bultar.

## Sätta fast trimmerhuvud eller plastkniv (extra tillbehör)

### **⚠ FÖRSIKTIGT:**

- **Om trimmerhuvudet/plastkniven oavsiktligt slår emot en sten eller ett hårt föremål under användningen ska maskinen stoppas och inspekteras för eventuella skador. Om trimmerhuvudet/plastkniven skadas ska det omedelbart bytas ut.** Om du använder ett skadat skärverktyg kan det orsaka allvarlig personskada.

### **OBS:**

- Använd endast Makitas originaltrimmerhuvud/ originalplastkniv.

Vänd maskinen upp och ned så att du enkelt kan byta ut trimmerhuvudet.

► **Fig.15:** 1. Trimmerhuvud 2. Metallskydd 3. Mottagarbricka 4. Insexnyckel

► **Fig.16:** 1. Plastkniv 2. Mutter 3. Metallskydd 4. Mottagarbricka 5. Insexnyckel

För in insexnyckeln genom hålet på motorkåpan och vrid mottagarbrickan tills den låses fast med insexnyckeln. Placera trimmerhuvudet/plastkniven direkt på den gängade axeln och dra åt det genom att vrida medurs. Ta bort insexnyckeln.

För att ta bort trimmerhuvudet/plastkniven vrider du det moturs medan du håller i mottagarbrickan med insexnyckeln.

## Förvaring av insexnyckel

► **Fig.17:** 1. Insexnyckel

Förvara insexnyckeln enligt figuren när den inte används så att du alltid har den till hands.

## ANVÄNDNING

### Korrekt hantering av maskinen

### Rätt ställning

#### **⚠ VARNING:**

- **Placera alltid maskinen på din högersida.** Rätt placering av maskinen gör att du får maximal kontroll och minskar risken för allvarlig personskada som orsakas av bakåtkast.
- **Var ytterst försiktig så att du alltid behåller kontrollen över verktyget. Låt aldrig verktyget vridas mot dig eller någon annan i närheten av arbetet.** Om du inte har kontroll över verktyget kan det orsaka allvarlig skada för personer i närheten eller dig själv.

► **Fig.18**

## Axelband

### Valfria tillbehör

### Fastsättning av axelband

► **Fig.19:** 1. Spänne 2. Krok

Ta på axelbandet. Anslut därefter spännena på båda sidor om haken och bandet. Kontrollera att spännena klickar och låses helt på plats.

### Lösgörande

► **Fig.20:** 1. Spänne

Spännet har en snabbkoppling. Tryck bara på sidorna av spännet för att lösgöra maskinen.

### Justering av bygelpositionen och axelbandet

► **Fig.21:** 1. Sexkantsskruv

Om du vill ändra bygelpositionen ska du lossa bygelns sexkantsskruv med den medföljande nyckeln. Flytta därefter bygeln. Fäst sexkantsskruven ordentligt med nyckeln efter justering av bygelpositionen.

## UNDERHÅLL

### **⚠ VARNING:**

- **Se alltid till att maskinen är avstängd och att batterikassetten är borttagen innan du kontrollerar eller utför underhåll på maskinen.** I annat fall kan det leda till allvarlig personskada vid en oavsiktlig start.

### **OBS:**

Använd inte bensin, thinner, alkohol eller liknande. Missfärgning, deformation eller sprickor kan uppstå.

### Utbyte av nylontråden

#### **⚠ VARNING:**

- **Använd aldrig metalltråd, rep eller liknande.** Använd endast rekommenderad nylontråd, i annat fall kan det skada maskinen och orsaka allvarlig personskada.
- **Se till att skyddet på trimmerhuvudet är ordentligt fäst på kåpan, såsom beskrivs nedan.** I annat fall kan det orsaka att trimmerhuvudet flyger isär vilket leder till allvarlig personskada.

► **Fig.22**

Ta av locket från kåpan genom att trycka på de två hakarna, som är slitsade sektioner, på motsatta sidor av kåpan.

► **Fig.23:** 1. 80 - 100 mm

Kapa en nylonlina till 3 m. Vik den kapade linan i två delar, låt den ena vara 80–100 mm längre än den andra.

► **Fig.24**

Haka fast mitten av den nya nylontråden i skåran som finns i mitten av rullen mellan de 2 kanalerna som är avsedda för nylontråden.

Linda upp båda ändarna stadigt runt rullen i den riktning som är markerad på huvudet för höger riktning, indikerat med RH.

► **Fig.25**

Linda upp allt utom 100 mm av trådarna och lämna tillfälligt ändarna fasthakade i en skåra på rullens sida.

► **Fig.26**

Montera rullen på locket så att spåren och de utskjutande delarna på rullen passar in med de i kåpan. Lossa nu trådändarna från dess tillfälliga placering och mata trådarna genom de små hålen så att de kommer ut genom locket.

► **Fig.27**

Rikta in den utskjutande delen på undersidan av locket med skårorna för hålen. Tryck sedan ordentligt på locket på kåpan för att fästa det. Se till att så att hakarna går in helt i skyddet.

## Byta plastkniv

► **Fig.28**

Byt ut kniven när den är sliten eller skadad

För att upprätthålla produktens SÄKERHET och TILLFÖRLITLIGHET bör allt underhålls- och justeringsarbete utföras av ett auktoriserat Makita servicecenter och med reservdelar från Makita.

## FELSÖKNING

Innan du ber om reparation ska du först utföra en egen kontroll. Om du hittar ett problem som inte finns förklarat i bruksanvisningen, ska du inte försöka att ta isär maskinen. Fråga istället ett auktoriserat servicecenter för Makita, och använd alltid reservdelar från Makita för reparationer.

Felfunktion	Orsak	Åtgärd
Motorn startar inte.	Batterikassetten är inte monterad.	Montera batterikassetten.
	Batteriproblem (under spänning)	Ladda batteriet. Byt ut batteriet om laddningen inte har någon effekt.
	Drivsystemet fungerar inte korrekt.	Be ditt lokala auktoriserade servicecenter om reparation.
Motorn stannar efter kort användning.	Rotationsriktningen är fel.	Ändra rotationsriktningen med reverseringsknappen.
	Batteriets laddningsnivå är låg.	Ladda batteriet. Byt ut batteriet om laddningen inte har någon effekt.
	Överhettning.	Sluta använda maskinen för att låta den svalna.
Den når inte maximalt varvtal.	Batteriet är felmonterat.	Montera batterikassetten enligt beskrivning i denna bruksanvisning.
	Batterikapaciteten faller.	Ladda batteriet. Byt ut batteriet om laddningen inte har någon effekt.
	Drivsystemet fungerar inte korrekt.	Be ditt lokala auktoriserade servicecenter om reparation.
Kniven roterar inte: stanna maskinen omedelbart!	Ett främmande föremål såsom en kvist har fastnat mellan skyddet och trimmerhuvudet.	Ta bort det främmande föremålet.
	Drivsystemet fungerar inte korrekt.	Be ditt lokala auktoriserade servicecenter om reparation.
Onormal vibration: stanna maskinen omedelbart!	Ena änden av nylontråden har gått av.	Stöt trimmerhuvudet i marken medan det roterar för att få tråden att matas ut.
	Drivsystemet fungerar inte korrekt.	Be ditt lokala auktoriserade servicecenter om reparation.
Kniven och motorn kan inte stanna: ta omedelbart bort batteriet!	Elektrisk eller elektronisk felfunktion.	Ta bort batteriet och be ditt lokala auktoriserade servicecenter om reparation.

# VALFRIA TILLBEHÖR

## **⚠ VARNING:**

- **Montera inte en kniv på denna maskin och använd endast rekommenderade tillbehör eller tillsatser som anges i denna handbok.** Om du använder en kniv eller annat tillbehör eller tillsats kan det orsaka personskada.

## **⚠ FÖRSIKTIGT:**

- Dessa tillbehör och tillsatser rekommenderas för användning tillsammans med den Makita-maskin som denna bruksanvisning avser. Om andra tillbehör eller tillsatser används kan det uppstå risk för personsador. Använd endast tillbehören eller tillsatserna för de syften de är avsedda för.

Kontakta ditt lokala Makita servicecenter om du behöver ytterligare information om dessa tillbehör.

- Trimmerhuvud
- Nylontråd (kapad lina)
- Plastkniv
- Axelband
- Makitas originalbatteri och -laddare

## **OBS:**

- Några av tillbehören i listan kan vara inkluderade i maskinpaketet som standardtillbehör. De kan variera mellan olika länder.

## TEKNISKE DATA

Modell	DUR364L			
Type håndtak	Bøylehåndtak			
Hastighet uten belastning	5 000 / 6 500 min <sup>-1</sup>			
Total lengde	1 754 mm			
Diameter på nylontråd	2,0 – 2,4 mm			
Egnet skjæreverktøy	Nylon kuttehode (delenr. 197297-1)	Plastblad (delenr. 197188-6)	Nylon kuttehode (delenr. 197297-1)	Plastblad (delenr. 197188-6)
Skjærebladdiameter	350 mm	255 mm	350 mm	255 mm
Merkespenning	DC 36 V			
Nettovekt	4,0 kg	3,9 kg	4,5 kg	4,4 kg
Standard batteri	BL1815N / BL1820 / BL1820B		BL1830 / BL1830B / BL1840 / BL1840B / BL1850 / BL1850B / BL1860B	

- Som følge av vårt kontinuerlige forsknings- og utviklingsprogram kan de tekniske dataene endres uten ytterligere forvarsel.
- Tekniske data og batteri kan variere fra land til land.
- Vekt, med batteri, i henhold til EPTA-prosedyre 01/2003

Støy	Gjennomsnittlig lydtryknivå	Gjennomsnittlig lydeffektnivå		Anvendelig standard
	L <sub>PA</sub> (dB (A))	L <sub>WA</sub> (dB (A))	Usikkerhet K (dB (A))	
Nylontrimmerhode	81	89	0,3	2000/14/EC
Plastblad	83	92	0,3	

Vibrasjoner	Venstre hånd		Høyre hånd		Anvendelig standard
	a <sub>h,w</sub> (m/s <sup>2</sup> )	Usikkerhet K (m/s <sup>2</sup> )	a <sub>h,w</sub> (m/s <sup>2</sup> )	Usikkerhet K (m/s <sup>2</sup> )	
Nylontrimmerhode	≤ 2,5	1,5	≤ 2,5	1,5	EN50636-2-91
Plastblad	≤ 2,5	1,5	≤ 2,5	1,5	

**MERK:** Den angitte verdien for de genererte vibrasjonene er blitt målt i samsvar med standardtestmetoden og kan brukes til å sammenlikne et verktøy med et annet.

**MERK:** Den angitte verdien for de genererte vibrasjonene kan også brukes til en foreløpig vurdering av eksponeringen.

**⚠ ADVARSEL:** De genererte vibrasjonene ved faktisk bruk av elektroverktøyet kan avvike fra den oppgitte vibrasjonsverdien, avhengig av hvordan verktøyet brukes.

**⚠ ADVARSEL:** Vær påpasselig med å finne sikkerhetstiltak som beskytter operatøren, basert på en oppfatning av risiko under faktiske bruksforhold (på bakgrunn av alle sider ved brukssyklusen, som når verktøyet slås av og når det går på tomgang, i tillegg til oppstarten).

## Symboler

Nedenfor ser du symbolene som brukes for dette utstyret. Forviss deg om at du forstår hva de betyr, før du begynner å bruke maskinen.

	Vær særlig påpasselig og forsiktig.
	Les bruksanvisningen.
	Fare. Vær oppmerksom på at objekter kan bli kastet ut.
	Avstanden mellom maskinen og andre personer enn operatøren må være minst 15 m.
	Hold tilskuere på avstand.
	Hold en avstand på minst 15 m.
	Bruk hjelm, vernebriller og hørselsvern.
	Bruk vernehansker.
	Bruk robust fottøy med såler som gir god feste. Vernesko med stålkappe anbefales.
	Skal ikke settes for fuktighet.



Maksimalt tillatt verktøyhastighet.



Bruk aldri metallblad.



Kun for EU-land  
Kast aldri elektriske produkter eller batteripakker i husholdningsavfallet!  
I henhold til EU-direktivene om kasserte elektriske og elektroniske produkter, og om batterier og akkumulatører og brukte batterier og akkumulatører og direktivenes iverksettning i nasjonal rett, må elektriske produkter og batterier og batteripakker som ikke lenger skal brukes, samles separat og returneres til et miljøvennlig gjenvinningsanlegg.

## Gjelder bare land i Europa

## EF-samsvarserklæring

### Makita erklærer at følgende maskin(er):

Maskinbetegnelse:  
Batteridrevet gresstrimmer  
Modellnr./type: DUR364L  
Tekniske data: Se tabellen "TEKNISKE DATA".

### Samsvarer med følgende europeiske direktiver:

2000/14/EF, 2006/42/EF

De er produsert i henhold til følgende standarder eller standardiserte dokumenter:

EN60335, EN/ISO11806, EN50636

Den tekniske filen i samsvar med 2006/42/EF er tilgjengelig fra:

Makita, Jan-Baptist Vinkstraat 2, 3070, Belgia

Konformitetsvurderingsprosedyren som kreves av direktivet 2000/14/EF var i henhold til tilleggsbestemnelsen V.

### Med plastblad

Målt lydeffektnivå 92 dB (A)  
Garantert lydeffektnivå 92 dB (A)

Samsvarsvurderingen som er pårevet i henhold til direktiv 2000/14/EF ble utført i samsvar med vedlegg VI. Rapportinstans:

TÜV Rheinland LGA Products GmbH  
Tillystraße 2  
90431 Nürnberg, Tyskland  
Identifikasjonsnr. 0197

### Med nylontrimmerhode

Målt lydeffektnivå 89 dB (A)  
Garantert lydeffektnivå 90 dB (A)

1.10.2015

Yasushi Fukaya  
Direktør

Makita, Jan-Baptist Vinkstraat 2, 3070, Belgia

## VIKTIGE SIKKERHETSINSTRUKSJONER

**⚠ ADVARSEL! Les alle sikkerhetsadvarslene og alle instruksjonene.** Hvis du ikke følger alle advarslene og instruksjonene, kan det føre til elektriske støt, brann og/eller alvorlige helseskader.

## Oppbevar alle advarsler og instruksjoner for senere bruk.

1. Gjør deg kjent med kontrollene og sett deg inn i hvordan utstyret fungerer.
2. Skjæreelementer fortsetter å rotere etter at motoren er slått av.
3. La aldri barn eller personer som ikke er kjent med denne bruksanvisningen, bruke maskinen.
4. Aldri bruk maskinen mens uvedkommende (særlig barn og kjæledyr) er til stede.
5. Bruk maskinen kun i dagslys eller annen god belysning.
6. Før bruk av maskinen og etter ethvert støt, kontroller om det finnes tegn på slitasje eller skade og reparer etter behov.
7. Se opp for personskade fra enhver enhet montert for trimming av tråldengen. Etter forlenging av ny skjæretråd, sett alltid maskinen tilbake til normal bruksposisjon før den slås på.
8. Bruk aldri skjæreelementer av metall.
9. Dette verktøyet skal ikke brukes av personer (inklusive barn) med reduserte fysiske evner, sanssevner eller mentale evner, eller som mangler erfaring og kunnskap, med mindre de er under oppsyn eller har fått instruksjoner som gjelder bruk av verktøyet av en person som er ansvarlig for deres sikkerhet. Barn må være under oppsyn for å sikre at de ikke leker med apparatet.
10. Utstyret må brukes med største forsiktighet og oppmerksomhet.
11. Bruk utstyret bare hvis du er i god fysisk form. Utfør alt arbeid rolig og forsiktig. Bruk sunn fornuft og husk at operatøren er ansvarlig for ulykker eller farer som berører andre mennesker eller deres eiendom.
12. Bruk aldri utstyret om du er trøtt, føler deg syk eller er påvirket av alkohol eller medikamenter.
13. Utstyret bør slås av umiddelbart dersom det viser noe som helst slags tegn på unormal drift.

## Riktig bruk av maskinen

1. Bruk riktig verktøy. Den batteridrevne gresstrimmeren er kun beregnet til trimming av gress og lett ugress. Den bør ikke brukes noe annet som f.eks. trimming av hekk, da dette kan forårsake skade.



## Personlig verneutstyr

### ► Fig.1

### ► Fig.2

1. Bruk riktig arbeidstøy. Bruk funksjonelle og passende klær. De bør være tettsittende, men ikke gjøre det vanskelig å bevege seg. Bruk ikke smykker eller klær som kan hekte seg fast i høyt gress. Bruk beskyttende hårnnett for å holde på langt hår.
2. Ha alltid på deg robust, sklissikkert føttøy når du bruker verktøyet. Dette beskytter mot helse-skader og sørger for godt fotfeste.
3. Bruk vernebriller.

## Elektrisk sikkerhet og batterisikkerhet

1. Unngå farlige omgivelser. Ikke bruk utstyret i fuktige eller våte omgivelser, og ikke utsett det for regn. Hvis det kommer vann inn i utstyret, vil det øke risikoen for elektriske støt.
2. Batteriet må kun lades opp igjen med en lader angitt av produsenten. En lader som passer til én batteritype, kan være brannfarlig når den brukes med en annen batteritype.
3. Bruk elektroverktøy kun med spesifikt angitte batterier. Hvis det brukes et hvilket som helst annet batteri, kan det utgjøre en fare for helse-skader og brann.
4. Når batteriet ikke er i bruk, må du holde verktøyet unna metallgjenstander som binders, mynter, nøkler, spiker, skruer og andre små metallgjenstander som kan skape forbindelse mellom de to polene. Hvis batteripolene kortsluttes, kan du få brannår, eller det kan begynne å brenne.
5. Hvis batteriet utsettes for hardhendt bruk, kan det lekke ut væske fra batteriet. Unngå kontakt med væsken. Hvis du kommer i kontakt med batteri-væske, må du skylle med vann. Kontakt lege hvis du får væske i øynene. Væske fra batteriet kan forårsake irritasjon eller forbrenninger.
6. Ikke kast batteriet (batteriene) på åpen ild. Cellen kan eksplodere. Batterier skal leveres til en forhandler av elektroutstyr eller til et kommunalt avfallsmottak.
7. Ikke åpne eller ødelegg batteriet (batteriene). Elektrolytt som lekker ut, er korroderende og kan forårsake skader på øyne og hud. Den kan være giftig hvis den svelges.

## Starte opp verktøyet

### ► Fig.3

1. Forviss deg om at ingen barn eller andre personer oppholder seg innenfor en arbeidsradius på 15 meter (50 fot), og ta også hensyn til eventuelle dyr i nærheten. I motsatt fall, stans bruken av utstyret.
2. Før bruk må du kontrollere at det vil være trygt å bruke utstyret. Kontroller at skjæreverktøyet er trygt å bruke, og at vernet og startbryteren/hendelen fungerer lett og på riktig måte. Kontroller at håndtakene er rene og tørre, og test av/på-funksjonen av startbryteren.

3. Kontroller utstyret med tanke på skadde deler, før du fortsetter å bruke det. Du må foreta en grundig sjekk av evt. skadde deler, som vern eller liknende, for å fastslå om de vil fungere som de skal og fylle sin tiltenkte funksjon. Kontroller at bevegelige deler beveger seg riktig i forhold til hverandre, at bevegelige deler kan bevege seg fritt, om noen deler er brukket, om monteringen er som den skal, eller om andre forhold kan påvirke driften av maskinen. Et vern eller en annen del som er skadet, må repareres ordentlig eller skiftes av vårt autoriserte servicesenter, med mindre det står noe annet i denne håndboken.
4. Motoren må kun slås på når hender og føtter er i god avstand fra skjærende verktøy.
5. Før du starter må du forvise deg om at skjæreverktøyet ikke berører faste gjenstander som grener, steiner osv., da det vil rotere når det startes.

## Bruksmåte

1. Bruk aldri maskinen med skadde vern eller uten at vern er på plass.
2. Utstyret må kun brukes i godt lys og med god sikt. Om vinteren må du være oppmerksom på glatte eller våte områder, is og snø (fare for å skli). Pass alltid på at du har godt fotfeste.
3. Ta nødvendige forholdsregler for å unngå at skjærende verktøy skader føtter eller hender.
4. Hold hele tiden hender og føtter på avstand fra skjæremidler og spesielt når motoren slås på.
5. Sag aldri over midjehøyde.
6. Du må aldri bruke utstyret mens du står på en stige.
7. Arbeid aldri på ustabile underlag.
8. Ikke len deg over utstyret. Pass på alltid å være i balanse og ha godt fotfeste.
9. Fjern sand, steiner, spiker osv. du finner innenfor arbeidsområdet. Fremmedlegemer kan ødelegge skjæreverktøyet og kan bli kastet vekk og resultere i alvorlig helseskade.
10. Hvis skjæreverktøyet kommer i kontakt med steiner eller andre harde gjenstander, må du slå av motoren omgående og kontrollere skjæreverktøyet.
11. Før du begynner ryddingen, må skjæreverktøyet ha nådd full driftshastighet.
12. Når du bruker utstyret, må du alltid holde det med begge hender. Utstyret må aldri holdes med én hånd mens det er i bruk. Pass alltid på at du har godt fotfeste.
13. Alt beskyttelsesutstyr, som vern, som følger med verktøyet må benyttes under bruk.
14. Bortsett fra i nødstilfeller må du aldri slippe eller kaste utstyret ned på bakken, da dette kan påføre utstyret store skader.
15. Du må aldri slepe utstyret langs bakken når du flytter det fra sted til sted, da dette kan påføre utstyret skade.
16. Fjern batteriet fra verktøyet:
  - når utstyret ikke blir betjent;
  - før du fjerner ting som har satt seg fast;

- før du kontrollerer, renser eller utfører arbeid på utstyret;
  - før du foretar eventuelle justeringer, skifter tilbehør eller setter utstyret bort til oppbevaring;
  - når utstyret begynner å vibrere unormalt;
  - når utstyret fraktes.
17. Ikke bruk makt på utstyret. Det vil gjøre jobben bedre og med mindre risiko for skader i den hastigheten det er konstruert for.

## Vedlikeholdsinstruksjoner

1. Du må kontrollere tilstanden til skjæreverktøyet, beskyttelsesutstyret og skuldersonen før du tar i bruk verktøyet.
2. Slå av motoren og fjern batteriet før du utfører vedlikehold, skifter ut skjæreverktøyet eller rengjør utstyret.
3. Etter bruk, ta alltid batteriet ut av utstyret og kontroller det for eventuelt skade.
4. Kontroller om det finnes løse fester eller ødelagte deler som for eksempel er nesten avkuttet halvveis i skjæreverktøyet.
5. Utstyret oppbevares på et tørt sted som er låst eller utenfor barns rekkevidde når det ikke er i bruk.
6. Bruk bare reservedeler og tilbehør som er anbefalt av produsenten.
7. Pass på at ventilasjonsåpningene alltid holdes fri for rusk og rask.
8. Inspiser og vedlikehold utstyret med jevne mellomrom, særlig før og etter bruk. Reparasjoner skal utføres kun av vårt autoriserte servicesenter.
9. Hold håndtakene tørre, rene og fri for olje og grease.

## TA VARE PÅ DISSE INSTRUKSENE.

**⚠ADVARSEL:** Selv om du har brukt produktet mye og føler deg fortrolig med det, er det likevel svært viktig at du følger nøye de retningslinjene for sikkerhet som er utarbeidet for dette produktet. **MISBRUK** av verktøyet eller mislighold av sikkerhetsreglene i denne brukerhåndboken kan resultere i alvorlige helseskader.

## Viktige sikkerhetsanvisninger for batteriinnsats

1. Før du begynner å bruke batteriet, må du lese alle anvisninger og forsiktighetsregler på (1) batteriladeren, (2) batteriet og (3) det produktet batteriet skal brukes i.
2. Ikke ta fra hverandre batteriet.
3. Hvis driftstiden er blitt vesentlig kortere, må du omgående slutte å bruke maskinen. Hvis ikke kan resultatet bli overoppheting, mulige forbrenninger eller til og med en eksplosjon.

4. Hvis du får elektrolytt i øynene, må du skylle dem med store mengder rennende vann og oppsøke lege med én gang. Denne typen uhell kan føre til varig blindhet.
5. Ikke kortslett batteriet:
  - (1) De kan være ekstremt varme og du kan brenne deg.
  - (2) Ikke lagre batteriet i samme beholder som andre metallgjenstander, som for eksempel spiker, mynter osv.
  - (3) Ikke la batteriet komme i kontakt med vann eller regn.

En kortslutning av batteriet kan føre til et kraftig strømstøt, overoppheting, mulige forbrenninger og til og med til at batteriet går i stykker.

6. Ikke lagre maskinen og batteriet på steder hvor temperaturen kan komme opp i eller overskride 50 °C.
7. Ikke sett fyr på batteriet, ikke engang om det er sterkt skadet eller helt utslitt. Batteriet kan eksplodere hvis det begynner å brenne.
8. Vær forsiktig så du ikke mister batteriet eller utsetter det for slag.
9. Ikke bruk batterier som er skadet.
10. Lithium-ion-batteriene som medfølger er gjenstand for krav om spesialavfall. For kommersiell transport, f.eks av tredjeparter eller speditører, må spesielle krav om pakking og merking følges. Før varen blir sendt, må du forhøre deg med en ekspert på farlig materiale. Ta også hensyn til muligheten for mer detaljerte nasjonale bestemmelser. Bruk teip eller maskeringsteip for å skjule åpne kontakter og pakk inn batteriet på en slik måte at den ikke kan bevege seg rundt i emballasjen.
11. Følg lokale bestemmelser for avhending av batterier.

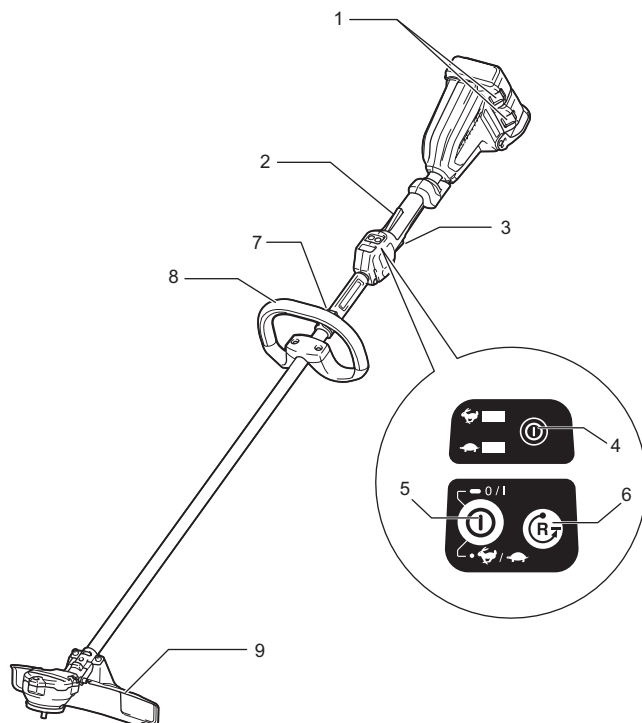
## TA VARE PÅ DISSE INSTRUKSENE.

**⚠FORSIKTIG:** Bruk kun originale Makita-batterier. Bruk av batterier som har endret seg, eller som ikke er originale Makita-batterier, kan føre til at batteriet sprekker og forårsaker brann, personskader og andre skader. Det vil også ugyldiggjøre garantien for Makita-verktøyet og -laderen.

## Tips for å opprettholde maksimal batterilevetid

1. Lad batteriinnsetsen før den er helt utladet. Stopp alltid driften av verktøyet og lad batteriinnsetsen når du merker at effekten reduseres.
2. Lad aldri en batteriinnsets som er fulladet. Overopplading forkorter batteriets levetid.
3. Lad batteriet i romtemperatur ved 10 °C - 40 °C. Et varmt batteri må kjøles ned før lading.
4. Lad batteriet hvis det ikke har vært brukt på en lang stund (over seks måneder).

# DELEBESKRIVELSE



1	Batteri	2	AV-sperrehendel
3	Startbryter	4	Strømlampe
5	Hovedstrømbryter	6	Reversknapp
7	Henger	8	Håndtak
9	Beskyttelse (Vern for skjæreverktøy)		

# FUNKSJONSBEKRIVELSE

## ⚠ ADVARSEL:

- Pass alltid på at verktøyet er slått av og batteriet er tatt ut før du justerer eller sjekker verktøyets funksjoner. Hvis verktøyet ikke er slått av eller batteriet ikke er tatt ut, kan det utilsiktet starte og forårsake alvorlige personskader.

## Sette inn eller ta ut batteri

► Fig.4: 1. Rød indikator 2. Knapp 3. Batteri

## ⚠ FORSIKTIG:

- Slå alltid av verktøyet før du setter inn eller fjerner batteriet.
- Hold godt rundt maskinen og batteriet når du setter inn eller tar ut batteriet. Hvis du mister ned maskinen eller batteriet, kan dette forårsake personskader eller skader på maskinen/batteriet.

For å ta ut batteriet må du skyve på knappen foran på batteriet og trekke det ut.

Når du skal sette inn batteriet, må du plassere tungen på batteriet på linje med sporet i huset og skyve batteriet på plass. Skyv det helt inn til det går i inngrep med et lite klikk. Hvis du kan se den røde anviseren på oversiden av knappen, er det ikke gått skikkelig i lås.

## ⚠ FORSIKTIG:

- Batteriet må alltid settes helt inn, så langt at den røde anviseren ikke lenger er synlig. Hvis du ikke gjør dette, kan batteriet falle ut av maskinen og skade deg eller andre som oppholder seg i nærheten.
- Ikke bruk makt når du setter i batteriet. Hvis batteriet ikke glir lett inn, er det fordi det ikke settes inn på riktig måte.

## MERK:

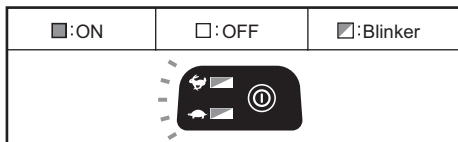
- Verktøyet fungerer ikke med kun ett batteri.

## Batterivernsystem for verktøy/batteri

Verktøyet er utstyrt med et batterivernsystem for verktøy/batteri. Dette systemet slår automatisk av strømmen til motoren for å forlenge verktøyets og batteriets levetid.

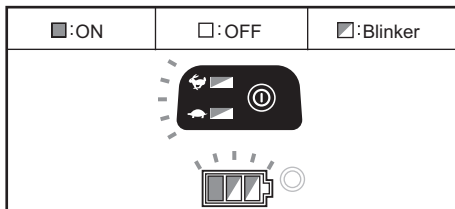
Verktøyet vil automatisk stanses under drift hvis verktøyet eller batteriet settes i en av følgende tilstander. I enkelte tilstander vil det tennes indikatorlys.

## Overlastsikring



Hvis verktøyet overbelastes som følge av ugress eller annet avfall som setter seg fast, stanser verktøyet automatisk, og indikatorene begynner å blinke. Hvis dette skjer, må du slå av verktøyet og stanse bruken som forårsaket at verktøyet ble overbelastet. Start deretter verktøyet på nytt.

## Overopphetingsvern for verktøy



Når verktøyet blir overopphetet, stanser verktøyet automatisk, og -, - og batteriindikatoren blinker i cirka 60 sekunder. Hvis dette skjer, må du la verktøyet kjøle seg ned før du slår på verktøyet igjen.

## Overutladingsvern

Når det blir lite batteri igjen, stopper verktøyet automatisk. Hvis produktet ikke går selv om bryterne aktiveres, må du ta batteriene ut av verktøyet og lade batteriene.

## Indikere gjenværende batterikapasitet

(Bare for batterier der modellnummeret slutter på "B".)

► Fig.5: 1. Indikatorlamper 2. CHECK-knapp

Trykk på kontrollknappen på batteriet for å se gjenværende batterikapasitet. Indikatorlampen lyser i noen sekunder.

Indikatorlamper			Gjenværende kapasitet
Lyser	OFF	Blinker	
			75 % til 100 %
			50 % til 75 %
			25 % til 50 %
			0 % til 25 %
			Lad batteriet.
			Det kan være en feil med batteriet.

## MERK:

- Det angitte nivået kan avvike noe fra den faktiske kapasiteten alt etter bruksforholdene og den omgivende temperaturen.

## Indikator for gjenværende batterikapasitet

(Landsspesifikt)

► **Fig.6:** 1. Batterianviser 2. CHECK-knapp

Trykk på sjekk-knappen for å aktivere at batteri-indikatorene viser gjenværende batterikapasitet. Batteriindikatorene korresponderer til hvert batteri.

## Indikator for gjenværende batterikapasitet

Status for batteriindikatoren	Gjenværende batterikapasitet
:ON :OFF :Blinker	
	50 % - 100 %
	20 % - 50 %
	0 % - 20 %
	Lad batteriet

## Strømbryterens funksjon

### ⚠ ADVARSEL:

- **Før du setter batteriet i verktøyet, må du kontrollere at startbryteren kobles inn på riktig måte og går tilbake til OFF-stillingen (Av) når du slipper den opp.** Hvis du bruker et verktøy med en bryter som ikke kobles inn på riktig måte, kan det hende at du vil miste kontrollen, og det vil kunne oppstå alvorlig personskade.

► **Fig.7:** 1. Hovedstrømbryter

Trykk på hovedstrømbryteren og hold den inne i noen sekunder for å slå på verktøyet.

Du slår av verktøyet ved å trykke på og holde hovedstrømbryteren inne en gang til.

► **Fig.8:** 1. AV-sperrehendel 2. Startbryter

Maskinen er utstyrt med en låsespak som sikrer at startbryteren ikke kan trykkes inn ved en feiltakelse.

Du starter verktøyet ved å ta tak i det bakre håndtaket (låsespaken kobles ut når du tar tak i håndtaket) og trykke inn startbryteren. Du stanser verktøyet ved å slippe opp startbryteren.

### MERK:

- Verktøyet slår seg av automatisk når verktøyet ikke har vært i bruk i ett minut.

## Hastighetsjustering

► **Fig.9:** 1. Hovedstrømbryter

Du kan justere hastigheten til verktøyet ved å trykke på hovedstrømknappen.

Hver gang du trykker på hovedstrømknappen, begynner -indikatoren eller -indikatoren å lyse. angir høy hastighet, og angir lav hastighet.

## Reversknapp for fjerning av avfall

### ⚠ ADVARSEL:

- **Slå av verktøyet og ta ut batteriet før du fjerner ugress eller avfall som har satt seg fast, og som ikke blir fjernet av funksjonen for rotasjon i revers.** Hvis du ikke slår av verktøyet og fjerner batteriet, kan det hende at verktøyet starter ved et uhell, noe som kan føre til alvorlig personskade.

► **Fig.10:** 1. Reversknapp

Dette verktøyet er utstyrt med en reversbryter som lar deg endre rotasjonsretningen. Den skal bare brukes til å fjerne ugress og avfall som sitter fast i verktøyet.

For å reversere roteringen trykker du på returtasten og trekker avtrekkeren når verktøyets hode er stoppet. Strømlampen begynner å blinke, og verktøyets hode roterer i motsatt retning når du trekker i startbryteren. Du går tilbake til vanlig rotasjon ved å slippe opp bryteren og vente til verktøyhodet stanser.

### MERK:

- Når verktøyet roterer i revers, vil det kun gå i en kort tid og deretter stanse automatisk.
- Når verktøyet har stanset, går rotasjonsretningen tilbake til den vanlige retningen når du starter verktøyet igjen.
- Hvis du trykker på reversknappen mens verktøyhodet fortsatt roterer, stanses verktøyet. Det er deretter klart til å rotere i revers.

## Nylontrimmerhode (tilleggsutstyr)

### MERKNAD:

- Dunkematingen vil ikke fungere på en korrekt måte dersom ikke hodet roterer.

► **Fig.11:** 1. Område som ryddes mest effektivt

Nylontrimmerhodet er et gresstrimmerhode med dobbel snor, med støt- og matemekanismer.

Du bør dunke trimmerhodet i bakken mens det roterer for å mate frem nylontråden.

**MERK:** Hvis nylontråden ikke mates frem når trimmerhodet dunkes mot bakken, må du vikle opp/skifte ut nylontråden ved bruk av prosedyrene som er beskrevet under "Vedlikehold".

# MONTERING

## ⚠ ADVARSEL:

- **Pass alltid på at maskinen er slått av og batteriet er tatt ut før det utøres noe arbeid på verktøyet.** Hvis maskinen ikke er slått av og batteriet er tatt ut, kan den utilsiktet bli startet opp og forårsake alvorlige personskader.
- **Start aldri opp verktøyet før det er fullstendig montert.** Bruk av verktøyet i en delvis montert tilstand, kan resultere i alvorlig personskade ved tilfeldig oppstartning.

## Montering av håndtaket

- **Fig.12:** 1. Håndtak 2. Sekskantskrue 3. Deksel  
4. Klemme 5. Henger

Fest håndtaket på skaffet med to sekskantbolter, og stram dem til. Påse at håndtaket er plassert forbi hengerstykket.

## Montering av vernet

### ⚠ ADVARSEL:

- **Aldri bruk verktøyet uten vernet som er vist på bildet.** Hvis du unnlater å gjøre dette, kan det føre til alvorlig personskade.

### ⚠ FORSIKTIG:

- Vær forsiktig så du ikke skader deg på kniven som kutter nylontråden.

- **Fig.13:** 1. Kutter 2. Klemme 3. Bolt

- **Fig.14:** 1. Kutter 2. Klemme 3. Bolt

(Formen på vernet kan variere fra land til land.)  
Innrett klemmen på skaffet med beskyttelsen. Stram dem til med bolter.

## Montere nylontrimmerhoder eller plastblad (tilleggsutstyr)

### ⚠ FORSIKTIG:

- **Hvis nylontrimmerhodet/plastbladet ved et uhell treffer en stein eller et hardt materiale, må verktøyet slås av og kontrolleres for skade.** Hvis nylontrimmerhodet/plastbladet er skadet, må det skiftes ut med en gang. Bruk av et skjæreverktøy som er skadet, kan føre til alvorlig personskade.

### MERKNAD:

- Påse at du bruker et originalt Makita-nylontrimmerhode/-plastblad.
- Snu maskinen opp ned, så kan du lett skifte nylontrimmerhodet.
- **Fig.15:** 1. Nylontrimmerhode 2. Metallvern  
3. Mottakerskive 4. Sekskantnøkkel
- **Fig.16:** 1. Plastblad 2. Mutter 3. Metallvern  
4. Mottakerskive 5. Sekskantnøkkel

Sett sekskantnøkkelen inn gjennom hullet i motorhuset, og drei mottakerskiven med sekskantnøkkelen til den er låst. Plasser nylontrimmerhodet/plastbladet direkte på den gjengede spindelen, og stram det ved å dreie det med urviserne. Fjern sekskantnøkkelen. Du kan fjerne nylontrimmerhodet/plastbladet ved å dreie det mot urviserne mens du holder fast mottakerskiven med sekskantnøkkelen.

## Oppbevare sekskantnøkkel

- **Fig.17:** 1. Sekskantnøkkel

Når sekskantnøkkelen ikke er i bruk, må du oppbevare den som vist i figuren slik at du ikke mister den.

# BRUK

## Korrekt bruk av verktøy

## Riktig arbeidsstilling

### ⚠ ADVARSEL:

- **Plasser alltid verktøyet på din høyre side.** Korrekt plassering av verktøyet gir deg maksimal kontroll og reduserer risikoen for personskade som følge av tilbakeslag.
- **Pass ekstremt godt på at du opprettholder kontrollen over maskinen i denne situasjonen. Ikke la verktøyet kastes mot deg eller noen andre i nærheten av arbeidsstedet.** Hvis du ikke klarer å holde kontroll på verktøyet kan det føre til alvorlige personskader på tilskuere og operatøren.

- **Fig.18**

## Skuldersele

### Valgfritt tilbehør

## Festing av skuldersele

- **Fig.19:** 1. Spenne 2. Bøyle

Ta på deg skulderselen. Fest spennene på begge krokene og selen. Sørg for at spennene klikker og låses skikkelig på plass.

## Frakobling

- **Fig.20:** 1. Spenne

Spennet kan kobles fra på en enkel måte. Trykk på sidene og på spennet for å koble fra verktøyet.

## Justering av hengerstilling og skuldersele

- **Fig.21:** 1. Sekskantskrue

For å endre hengerstilling løser du sekskantbolten på hengerremmen ved bruk av vedlagte skrunøkkel. Flytt hengerremmen.

Etter justering av hengerstillingen, strammes skruen godt ved bruk av skrunøkkelen.

# VEDLIKEHOLD

## **⚠ ADVARSEL:**

- **Pass alltid på at maskinen er slått av og batteriet er tatt ut før du utfører kontroll eller vedlikehold på verktøyet.** Hvis maskinen ikke er slått av og batteriet er tatt ut, kan den utilsikket bli startet opp og forårsake alvorlige personskader.

## **MERKNAD:**

Aldri bruk gasolin, bensin, tynner alkohol eller lignende. Det kan føre til misfarging, deformering eller sprekkdannelse.

## Skifte nylontråden

## **⚠ ADVARSEL:**

- **Bruk aldri metalltråder, tau eller lignende.** Bruk bare anbefalte nylontråder. Hvis du ikke følger dette, kan det oppstå skade på verktøyet og alvorlig personskade.
- **Pass på at dekselet til nylontrimmerhodet er godt festet til huset, som beskrevet nedenfor.** Dersom dekselet ikke er festet skikkelig, kan nylontrimmerhodet gå fra hverandre og forårsake alvorlige helseskader.

### ► Fig.22

Fjern dekselet fra huset, og trykk på de to spennene med spor på motsatt side av side huset.

### ► Fig.23: 1. 80 - 100 mm

Skjær av en nylontråd på 3 m. Brett nylontråden i to halvdelar, der den ene delen skal være 80–100 mm lengre enn den andre.

### ► Fig.24

Fest midten av den nye nylontråden til hakket midt på spolen mellom de to sporene for nylontråden.

Vikle begge endene godt rundt spolen i den retning som er angitt på hodet for høyre retning, som indikert av RH.

### ► Fig.25

Vikle opp all tråden, unntatt de ytterste 100 mm, og fest endene midlertidig i et hakk på siden av spolen.

### ► Fig.26

Monter spolen i dekselet, slik at spolene og fremspringene på spolen passer til dekselet. Løsne trådendene fra deres midlertidige plassering og før dem gjennom åpningene og ut av dekselet.

### ► Fig.27

Juster fremspringet på undersiden av dekselet slik at det passer til sporene til åpningene. Skyv deretter dekselet fast inn på huset for å feste det. Kontroller at klemmene spres i dekselet.

## Bytte ut bladet for plastblad

### ► Fig.28

Bytt ut bladet når det er slitt ut eller ødelagt.

For å opprettholde produktets SIKKERHET og PÅLITELIGHET, må reparasjoner, vedlikehold og justeringer utføres av Makitas autoriserte servicesentre, og det må alltid brukes reservedeler fra Makita.

# FEILSØKING

Før du bestiller reparasjon, bør du inspisere utstyret selv. Hvis du får problemer som ikke er beskrevet i håndboken, må du ikke ta fra hverandre verktøyet. I stedet bør du ta kontakt med et av Makitas autoriserte servicesentre, som alltid bruker reservedeler fra Makita til reparasjoner.

Feilstatus	Årsak	Tiltak
Motoren går ikke.	Det oppladbare batteriet er ikke montert.	Installer batteriet.
	Batteriproblem (for lav spenning)	Lad batteriet. Hvis batteriet ikke kan lades opp, må det skiftes ut.
	Motorsystemet fungerer ikke korrekt.	Be nærmeste autoriserte serviceverksted reparere utstyret.
Motoren stopper etter kort tid.	Rotasjonen er reversert.	Endre rotasjonsretningen ved bruk av reversbryteren.
	Batteriets oppladete nivå er lavt.	Lad batteriet. Hvis batteriet ikke kan lades opp, må det skiftes ut.
	Overoppvarming.	Avslutt bruken av verktøyet for å la det kjøle seg ned.
Det når ikke maksimal omdreiningshastighet.	Batteriet er ikke korrekt montert.	Installer det oppladbare batteriet som beskrevet i denne håndboken.
	Batterieffekten faller.	Lad batteriet. Hvis batteriet ikke kan lades opp, må det skiftes ut.
	Motorsystemet fungerer ikke korrekt.	Be nærmeste autoriserte serviceverksted reparere utstyret.
Klippeverktøyet roterer ikke: Stans maskinen omgående!	Et fremmedelement, f.eks. en grein har satt seg fast mellom vernet og nylontrimmerhodet.	Fjern fremmedlegemet.
	Motorsystemet fungerer ikke korrekt.	Be nærmeste autoriserte serviceverksted reparere utstyret.
Unormal vibrasjon: Stans maskinen omgående!	Den ene enden av nylontråden har røket.	Dunk nylontrimmerhodet mot bakken mens det roterer for å mate tråden.
	Motorsystemet fungerer ikke korrekt.	Be nærmeste autoriserte serviceverksted reparere utstyret.
Klippeverktøyet og motoren kan ikke stoppes: Fjern batteriet omgående!	Elektrisk eller elektronisk feil.	Fjern batteriet og be ditt nærmeste, autoriserte servicesenter om å reparere utstyret.



# VALGFRITT TILBEHØR

## **⚠ADVARSEL:**

- Du må ikke montere et blad på dette verktøyet, og du må bare bruke anbefalt tilbehør eller tilleggsutstyr som er angitt i denne håndboken. Hvis du bruker blad eller andre tilbehør eller tilleggsutstyr, kan det oppstå alvorlig personskade.

## **⚠FORSIKTIG:**

- Det anbefales at du bruker dette tilbehøret eller verktøyet sammen med den Makita-maskinen som er spesifisert i denne håndboken. Bruk av annet tilbehør eller verktøy kan forårsake helseskader. Tilbehør og verktøy må kun brukes til det formålet det er beregnet på.

Ta kontakt med ditt lokale Makita-servicesenter hvis du trenger mer informasjon om dette tilbehøret.

- Nylontrimmerhode
- Nylontråd (kuttet tråd)
- Plastblad
- Skuldersele
- Makita originalbatteri og lader

## **MERK:**

- Enkelte elementer i listen kan være inkludert som standardtilbehør i verktøypakken. Elementene kan variere fra land til land.

## TEKNISET TIEDOT

Malli	DUR364L			
Kahvan tyyppi	Silmuikkakahva			
Nopeus kuormittamattomana	5 000 / 6 500 min <sup>-1</sup>			
Kokonaispituus	1 754 mm			
Nailonsiiman halkaisija	2,0 – 2,4 mm			
Asianmukainen leikkuutyökalu	Nailonsiimapää (P/N 197297-1)	Muoviterä (P/N 197188-6)	Nailonsiimapää (P/N 197297-1)	Muoviterä (P/N 197188-6)
Leikkuuterän halkaisija	350 mm	255 mm	350 mm	255 mm
Nimellisjännite	DC 36 V			
Nettopaino	4,0 kg	3,9 kg	4,5 kg	4,4 kg
Vakioakku	BL1815N / BL1820 / BL1820B		BL1830 / BL1830B / BL1840 / BL1840B / BL1850 / BL1850B / BL1860B	

- Jatkuvan tutkimus- ja kehitysohjelman vuoksi pidätämme oikeuden muuttaa tässä mainittuja teknisiä ominaisuuksia ilman ennakkoilmoitusta.
- Tekniset ominaisuudet ja akku saattavat vaihdella maakohteisesti.
- Paino akku mukaan lukien EPTA-Procedure 01/2003 mukaan

Melutaso	Keskimääräinen äänenpainetaso	Keskimääräinen äänitehotaso		Sovellettava standardi
	L <sub>PA</sub> (dB (A))	L <sub>WA</sub> (dB (A))	Virhemarginaali K (dB (A))	
Nailonsiimapää	81	89	0,3	2000/14/EC
Muoviterä	83	92	0,3	

Tärinä	Vasemmanpuoleinen		Oikea käsi		Sovellettava standardi
	a <sub>n,w</sub> (m/s <sup>2</sup> )	Virhemarginaali K (m/s <sup>2</sup> )	a <sub>n,w</sub> (m/s <sup>2</sup> )	Virhemarginaali K (m/s <sup>2</sup> )	
Nailonsiimapää	≤ 2,5	1,5	≤ 2,5	1,5	EN50636-2-91
Muoviterä	≤ 2,5	1,5	≤ 2,5	1,5	

**HUOMAA:** Ilmoitettu tärinäpäästöarvo on mitattu standarditestausmenetelmän mukaisesti, ja sen avulla voidaan vertailla työkaluja keskenään.

**HUOMAA:** Ilmoitettua tärinäpäästöarvoa voidaan käyttää myös altistumisen alustavaan arviointiin.

**VAROITUS:** Työkalun käytön aikana mitattu todellinen tärinäpäästöarvo voi poiketa ilmoitetusta tärinäpäästöarvosta työkalun käyttötavan mukaan.

**VAROITUS:** Selvitä käyttäjän suojaamiseksi tarvittavat varoimet todellisissa käyttöolosuhteissa tapahtuvan arvioitujen altistumisen mukaisesti (ottaen huomioon käyttöjako kokonaisuudessaan, myös jaksot, joiden aikana työkalu on sammutettuna tai käy tyhjäkäynnillä).



Noudata erityistä varovaisuutta!



Lue käyttöohjeet.



Vaara, varo sinkoutuvia kappaleita.



Sivullisten henkilöiden etäisyyden työkä-  
lusta on oltava vähintään 15 m.



Pidä sivulliset loitolla.



Pysy vähintään 15 m:n etäisyydellä.



Käytä kypärää, suojalaseja ja  
kuulosuojaimia!



Käytä suojakäsineitä.



Käytä tukevia saappaita, joissa on luis-  
tamaton pohja. On suositeltavaa käyttää  
teräskärkisiä turvasaappaita.

## Symbolit

Laitteessa on käytetty seuraavia symboleja. Opettele näiden merkitys, ennen kuin käytät konetta.



Älä altista kosteudelle.



Työkalun suurin sallittu nopeus.



Älä koskaan käytä metalliterää.



Ni-MH  
Li-ion

Koskee vain EU-maita  
Älä hävitä sähkölaitteita tai akkuja tavallisen kotitalousjätteen mukana!  
Sähkö- ja elektroniikkalaiteromua koskevan EU-direktiivin ja paristoja ja akkuja sekä käytettyjä paristoja ja akkuja koskevan direktiivin ja niiden maakohtaisten sovellusten mukaisesti käytetyt sähkölaitteet ja akut on toimitettava ongelmajätteen keräyspisteeseen ja ohjattava ympäristöystävälliseen kierrätykseen.

## Koskee vain Euroopan maita

## VAKUUTUS EC-VASTAAVUUDESTA

### Makita ilmoittaa, että seuraava(t) kone(et)

Koneen tunnistetiedot:

Akkukäyttöinen viimeistelyleikkuri

Mallinro/tyyppi: DUR364L

Tekniset tiedot: ks. TEKNISET TIEDOT -taulukko.

### Täyttävät seuraavien eurooppalaisten direktiivien vaatimukset:

2000/14/EY, 2006/42/EY

On valmistettu seuraavien standardien tai standardoitujen asiakirjojen mukaisesti:

EN60335, EN/ISO11806, EN50636

Direktiivin 2006/42/EY mukaiset tekniset tiedot ovat saatavissa seuraavasta osoitteesta:

Makita, Jan-Baptist Vinkstraat 2, 3070, Belgium

Direktiivin 2000/14/EY edellyttämät vaatimustenmukaisuusarviointi on tehty liitteen V mukaisesti.

### Muoviterällä varustettuna

Mitattu äänitehotaso 92 dB (A)

Taattu äänitehotaso 92 dB (A)

Direktiivissä 2000/14/EY edellytetty vaatimustenmukaisuusarviointi tehtiin liitteen VI mukaisesti.

Ilmoitettu laitos:

TÜV Rheinland LGA Products GmbH

Tillystraße 2

90431 Nürnberg, Germany

Tunnistenumero 0197

### Nailonsiimipäällä varustettuna

Mitattu äänitehotaso 89 dB (A)

Taattu äänitehotaso 90 dB (A)

1.10.2015

Yasushi Fukaya

Johtaja

Makita, Jan-Baptist Vinkstraat 2, 3070, Belgium

## TÄRKEITÄ TURVAOHJEITA

**VAROITUS!** Lue huolellisesti kaikki turvallisuusvaroitukset ja käyttöohjeet. Jos varoitusten ja ohjeiden noudattaminen laiminlyödään, seurauksena voi olla sähköisku, tulipalo ja/tai vakava vammautuminen.

## Säilytä varoitukset ja ohjeet tulevaa käyttöä varten.

1. Perekdy laitteen säätimiin ja asianmukaiseen käyttöön.
2. Leikkuupää jatkaa pyörimistä moottorin sammuttamisen jälkeen.
3. Älä anna lasten tai näihin ohjeisiin perehtymättömien henkilöiden käyttää laitetta.
4. Jos lähistöllä on muita henkilöitä (etenkin lapsia) tai lemmikkieläimiä, lopeta laitteen käyttö heti.
5. Käytä laitetta vain päivänvalossa tai kirkaassa keinovalossa.
6. Tarkista laitteen kunto ja korjaa mahdolliset vauriot aina ennen käyttöä ja laitteen saaman iskun jälkeen.
7. Varo, ettet loukkaa itseäsi leikkaussiiman katkaisun tarkoitettuihin välineisiin. Kun olet vetänyt uuden siiman oikeaan mittaansa, palauta laite aina normaaliin toimintatilaan ennen laitteen käyttämistä.
8. Älä koskaan kiinnitä metallisia leikkuuteriä.
9. Tämä laite ei ole tarkoitettu lasten tai sellaisten henkilöiden käytettäväksi, joiden fyysiset, sensoriset tai henkiset kyvyt tai kokemuksen tai tiedon puute estävät heitä käyttämästä laitetta turvallisesti, ellei heidän turvallisuudestaan vastaava henkilö valvo heitä tai opasta heitä laitteen käytössä. Lapsia tulee pitää silmällä, jotta he eivät pääse leikkimään laitteella.
10. Työkalua käytettäessä tulee olla äärimmäisen huolellinen ja varovainen.
11. Käytä työkalua vain, jos olet hyvässä fyysisessä kunnossa. Työskentele rauhallisesti ja varovaisesti. Käytä tervettä järkeä ja muista, että käyttäjä vastaa itse tapaturmista tai vahingoista, jotka hän aiheuttaa muille ihmisille tai heidän omaisuudelleen.
12. Älä koskaan käytä työkalua väsyneenä, sairaana tai alkoholin tai huumaavien aineiden vaikutuksen alaisena.
13. Työkalu on sammutettava heti, jos työkalu vaikuttaa toimivan epänormaaliilla tavalla.

## Työkalun käyttötarkoitus

1. Käytä tarkoitukseen sopivaa työkalua. Akkukäyttöinen viimeistelyleikkuri on tarkoitettu vain nurmikon ja ohuiden rikkakasvien leikkaamiseen. Sitä ei saa käyttää muihin tarkoituksiin, esimerkiksi pensasaidan leikkaamiseen, sillä tällainen käyttö voi aiheuttaa vammoja.

## Henkilösuojaimet

### ► Kuva1

### ► Kuva2

1. Pukeudu asianmukaisesti. Käytettävän vaate-  
tuksen tulee olla asianmukaista ja käytännöllistä. Niiden tulee olla tyköistuvia, mutta ne eivät kuitenkaan saa haitata liikkumista. Älä käytä koruja tai vaatteita, jotka voivat tarttua korkeaan ruohikkoon. Pitkät hiukset täytyy pitää kiinni.
2. Kun käytät työkalua, käytä aina tukevia kenkiä, joissa on luistamaton pohja. Se suojaa loukkaantumiselta ja varmistaa tukevan jalansijan.
3. Käytä suojalaseja.

## Sähköturvallisuus ja akku

1. Vältä vaarallisia ympäristöjä. Älä käytä työkalua kosteissa tai märissä paikoissa äläkä altista sitä sateelle. Työkalun sisään päässyt vesi lisää sähköiskun vaaraa.
2. Lataa akkua vain valmistajan ilmoittamalla laturilla. Tietyntyyppiselle akulle sopiva laturi voi aiheuttaa tulipalovaaran, jos sitä käytetään toisentyyppisen akun kanssa.
3. Käytä sähkötyökaluja vain määritysten mukaisten akkujen kanssa. Muunlaisten akkujen käyttäminen voi aiheuttaa loukkaantumista tulipalovaaran.
4. Kun akku ei ole käytössä, säilytä se erillään metalliesineistä, kuten paperiliittimistä, kolikoista, avaimista, nauloista, ruuveista ja muista pienistä metallikappaleista, jotka voivat yhdistää akun navat. Akun napojen oikosulkeminen voi aiheuttaa palovammoja tai tulipalon.
5. Akusta voi vuotaa nestettä, jos sitä käsitellään väärin. Vältä kosketusta. Jos nestettä pääsee silmiin, hakeudu lääkärin hoitoon. Akkunesteet voivat ärsyttää ihoa tai aiheuttaa palovammoja.
6. Älä hävitä akkua polttamalla. Akkukenko voi räjähtää. Tarkista, onko paikallisissa määräyksissä erityisiä laitetta koskevia hävitysohjeita.
7. Älä avaa tai riko akkuja. Akusta mahdollisesti vuotava elektrolyytti on syövyttävää ja saattaa vaurioittaa ihoa tai silmiä. Se saattaa olla myrkyllistä nieltynä.

## Työkalun käynnistys

### ► Kuva3

1. Varmista, että työskentelyalueella ei ole lapsia tai muita ihmisiä 15 metrin säteellä. Huomioi myös työskentelyalueen lähetyvillä olevat eläimet. Muussa tapauksessa työkalun käyttäminen on lopetettava.
2. Varmista aina ennen käyttöä, että työkalun käyttö on turvallista. Tarkista terän ja suojuksen kiinnitys sekä vaihtokytkimien toimivuus. Tarkista, että kahvat ovat puhtaat ja kuivat ja että käyttökatkaisin toimii.

3. Tarkista ennen käyttöä, onko jokin työkalun osa vaurioitunut. On syytä varmistaa, että suojus tai muu vaurioitunut osa toimii tarkoituksensa mukaisella tavalla oikein Varmista, että liikkuvat osat ovat oikeissa asennoissa ja että ne voivat liikkua esteettä. Tarkasta myös osien eheys, kiinnitykset sekä muut toimintaan mahdollisesti vaikuttavat seikat. Suojus tai muu vaurioitunut osa tulee viedä valtuutettuun huoltoilikeeseen korjattavaksi tai vaihdettavaksi, jollei tässä käyttöoppaassa muuta mainita.
4. Kun käynnistät moottorin, varmista, että jalaksi ja kätesi ovat kaukana leikkaustyökalusta.
5. Varmista ennen käynnistystä, että leikkaustyökalu ei kosketa kovia esineitä, kuten oksia, kiviä jne., sillä leikkaustyökalu pyörii käynnistettäessä.

## Käyttötavat

1. Älä koskaan käytä laitetta, jos suojukset ovat vaurioituneet tai ne on poistettu.
2. Käytä työkalua vain hyvissä valaistus- ja näkyvyysoloissa. Varo talviaikaan liukkaista tai märkiä alueita, jäätä ja lunta (liukastumisvaara). Varmista tukeva jalansija.
3. Varo, ettei leikkaustyökalu vahingoita jalkojasi tai käsiäsi.
4. Pidä kätesi ja jalaksi kaukana leikkauspäästä erityisesti, kun käynnistät työkalun.
5. Älä koskaan leikkaa korkeammalta kuin vyötärön korkeudelta.
6. Älä koskaan seisoo tikkailla työkalua käyttäessäsi.
7. Älä työskentele epävakailla alustoilla.
8. Älä kurota. Säilytä aina tukeva jalansija ja tasapaino.
9. Poista hiekka, kivet, naulat jne. työskentelyalueelta. Vierasesineet voivat vahingoittaa leikkaustyökalua ja aiheuttaa vaarallisia takapotkua, jotka voivat tuottaa vakavia vammoja.
10. Jos leikkaustyökalu osuu kiviin tai muihin koviin esineisiin, sammuta moottori välittömästi ja tarkasta leikkaustyökalu.
11. Leikkaustyökalun pitää pyöriä täydellä nopeudella ennen leikkaamisen aloittamista.
12. Pidä työkalusta aina molemmin käsin kiinni käytön aikana. Älä koskaan kannatele työkalua yhdellä kädellä käytön aikana. Varmista tukeva jalansija.
13. Käytön aikana on käytettävä kaikkia tarvittavia suojavarusteita, kuten työkalun mukana toimitettuja suojuksia.
14. Älä koskaan pudota tai heitä työkalua mahaan muutoin kuin hätätilanteessa, sillä se voi aiheuttaa työkalulle vakavia vaurioita.
15. Älä koskaan siirrä työkalua vetämällä sitä maata pitkin, sillä se voi vahingoittaa työkalua.
16. Irrota akku työkalusta:
  - kun poistut työkalun luota
  - ennen tukoksen selvittämistä
  - ennen työkalun tarkistamista, puhdistamista tai kunnossapitoa

- ennen säätöjen tekemistä, lisävarusteiden vaihtamista tai varastointia
  - kun työkalu alkaa tärinästä epänormaalisti
  - kun työkalua kuljetetaan.
17. Älä käytä työkalua liian suurella voimalla. Työkalu toimii tarkoituksenmukaisesti ja loukkaantumisaavaa pienenee, kun sitä käytetään sille suunnitellulla teholla.

## Huolto-ohjeet

1. Ennen työn aloittamista on tarkistettava leikkaustyökalun, suojavarusteiden ja olkahihnan kunto.
2. Sammuta moottori ja irrota akku ennen laitteen huoltamista, leikkaustyökalun vaihtamista tai laitteen puhdistamista.
3. Irrota käytön jälkeen akku työkalusta ja tarkista työkalun kunto.
4. Tarkista, ettei laitteessa ole irtonaisia kiinnittimiä tai vaurioituneita osia, kuten lähes katkenneita leikkuusiimoja.
5. Säilytä laitetta kuivassa lukitussa paikassa poissa lasten ulottuvilta.
6. Käytä vain valmistajan suosittelemia varaosia ja tarvikkeita.
7. Varmista, että ilmanvaihtoaukot eivät tukkeudu.
8. Tarkista ja huolla työkalu säännöllisesti, erityisesti ennen käyttöä ja käytön jälkeen. Korjauta työkalu vain valtuutetussa huoltoliikkeessä.
9. Pidä kahvat kuivina, puhtaina ja suojaa ne öljyltä ja rasvalta.

## SÄILYTÄ NÄMÄ OHJEET.

**VAROITUS:** ÄLÄ anna työkalun helppokäyttöisyyden tai toistuvan käytön tuudittaa sinua vääriin turvallisuuden tunteeseen niin, että laiminlyöt työkalun turvaohjeiden noudattamisen. VÄÄRINKÄYTTÖ tai tämän käyttöohjeen turvamääräysten laiminlyönti voi johtaa vakaviin henkilövahinkoihin.

## Akkupakettia koskevia tärkeitä turvaohjeita

1. Ennen akun käyttöönottoa tutustu kaikkiin laturissa (1), akussa (2) ja akkukäyttöisessä tuotteessa (3) oleviin varoitusteksteihin.
2. Älä pura akku.
3. Jos akun toiminta-aika lyhenee merkittävästi, lopeta akun käyttö. Seurauksena voi olla ylikuumeneminen, palovammoja tai jopa räjähdys.
4. Jos akkuneustettä pääsee silmiin, huuhtele puhtaalla vedellä ja hakeudu välittömästi lääkärin hoitoon. Akkuneuste voi aiheuttaa näön menetyksen.
5. Älä oikosulje akku.
  - (1) Älä koske akun napoihin millään sähköä johtavalla materiaalilla.

- (2) Vältä akun oikosulkemista äläkä säilytä akku yhdessä muiden metalliesineiden, kuten naujojen, kolikoiden ja niin edelleen kanssa.
- (3) Älä aseta akku alttiiksi vedelle tai sateelle.

Oikosulku voi aiheuttaa virtapiikin, ylikuumentumista, palovammoja tai laitteen rikkoontumisen.

6. Älä säilytä työkalua ja akku paikassa, jossa lämpötila voi nousta 50 °C:een tai sitäkin korkeammaksi.
7. Älä hävitä akku polttamalla, vaikka se olisi pahoin vaurioitunut tai täysin loppuun kulunut. Avotuli voi aiheuttaa akun räjähtämisen.
8. Varo kolhimasta tai pudottamasta akku.
9. Älä käytä viallista akku.
10. Sisältyviä litium-ioni-akkuja koskevat vaarallisten aineiden lainsäädännön vaatimukset. Esimerkiksi kolmansien osapuolten huolintaliikkeiden tulee kaupallisissa kuljetuksissa noudattaa pakkaamista ja merkintöjä koskevia erityisvaatimuksia. Lähetettävän tuotteen valmistelu edellyttää vaarallisten aineiden asiantuntijan neuvontaa. Huomioi myös mahdollisesti yksityiskohtaisemmat kansalliset määräykset. Akun avoimet liittimet tulee suojata teipillä tai suojuksella ja pakkaaminen tulee tehdä niin, ettei akku voi liikkua pakkauksessa.
11. Hävitä akku paikallisten määräysten mukaisesti.

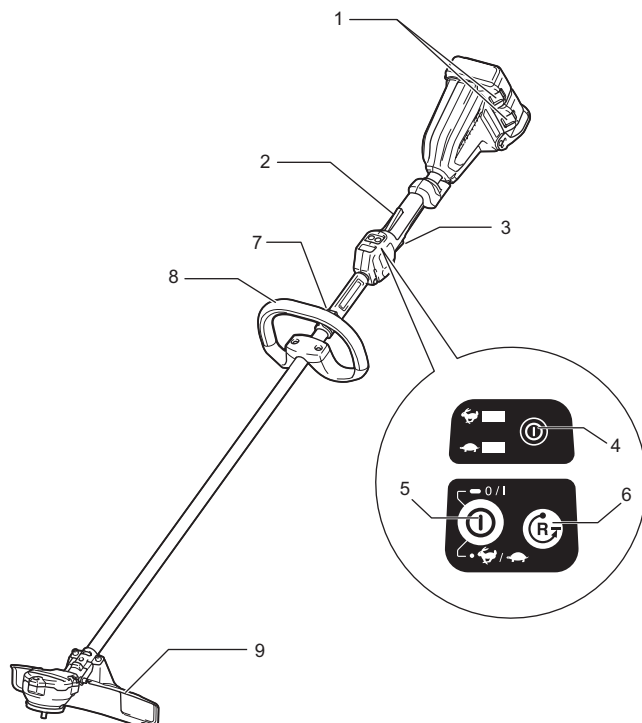
## SÄILYTÄ NÄMÄ OHJEET.

**HUOMIO:** Käytä vain alkuperäisiä Makita-akkuja. Muiden kuin aitojen Makita-akkujen, tai mahdollisesti muutettujen akkujen käyttö voi johtaa akun murtumiseen ja aiheuttaa tulipaloja, henkilö- ja omaisuusvahinkoja. Se mitätöi myös Makita-työkalun ja -laturin Makita-takuun.

## Vihjeitä akun käyttöön pidentämiseksi

1. Lataa akku ennen kuin se purkautuu täysin. Lopeta aina työkalun käyttö ja lataa akku, jos huomaat työkalun tehon vähenevän.
2. Älä koskaan lataa uudestaan täysin ladattua akku. Ylilataaminen lyhentää akun käyttöikää.
3. Lataa akku huoneen lämpötilassa välillä 10 °C - 40 °C. Anna kuuman akun jäähtyä ennen lataamista.
4. Lataa akkupaketti, jos et käytä sitä pitkään aikaan (yli kuusi kuukautta).

# OSIEN KUVAUS



1	Akku	2	Lukituksen vapautusvipu
3	Liipaisinkytkin	4	Virran merkivalo
5	Päävirtapainike	6	Suunnanvaihtonappi
7	Ripustin	8	Kahva
9	Suojus (leikkaustyökalun suoja)		

# TOIMINTOJEN KUVAUS

## VAROITUS:

- Varmista aina ennen säätöjä tai tarkastuksia, että työkalu on sammutettu ja akku on irrotettu. Jos työkalua ei sammuteta ja akkua irroteta, se voi käynnistyä vahingossa ja aiheuttaa vakavia vammoja.

## Akun asentaminen tai irrottaminen

- **Kuva4:** 1. Punainen ilmaisin 2. Painike 3. Akku

## HUOMIO:

- Sammuta työkalu aina ennen akun kiinnittämistä tai irrottamista.
- Pidä työkalusta ja akusta tiukasti kiinni, kun irrotat tai kiinnität akkua.** Jos akku tai työkalu putoaa, ne voivat vaurioitua tai aiheuttaa loukkaantumisen.

Irrota akku painamalla akun etupuolella olevaa painiketta ja vetämällä akku ulos työkalusta. Kiinnitä akku sovitamalla akun kieleke rungon uraan ja työntämällä akku sitten paikoilleen. Työnnä akku pohjaan asti niin, että kuulet sen napsahavan paikoilleen. Jos painikkeen yläpuolella näkyy punainen ilmaisin, akku ei ole lukkiutunut täysin paikoilleen.

## HUOMIO:

- Työnnä akku aina pohjaan asti, niin että punainen ilmaisin ei enää näy. Jos akku ei ole kunnolla paikallaan, se voi pudota työkalusta ja aiheuttaa vammoja joko käyttäjälle tai sivullisille.
- Älä käytä voimaa akun asennuksessa. Jos akku ei mene paikalleen helposti, se on väärässä asennossa.

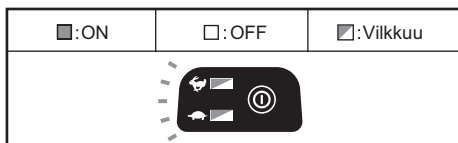
## HUOMAA:

- Työkalu ei toimi yhdellä akulla.

## Työkalun/akun suojausjärjestelmä

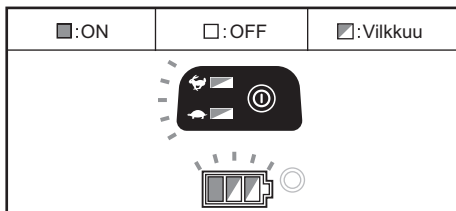
Työkalu on varustettu työkalu/akun suojausjärjestelmällä. Tämä järjestelmä pidentää työkalun ja akun käyttöikä katkaisemalla automaattisesti moottorin virran. Työkalu pysähtyy automaattisesti kesken käytön, jos työkalussa tai akussa ilmenee jokin seuraavista tilanteista: Joissakin tilanteissa merkkivalot syttyvät.

## Ylikuormitussuoja



Jos takertuneet rikkaruohot tai muut roskat aiheuttavat työkalun ylikuormittamisen, työkalu pysähtyy automaattisesti ja merkkivalot vilkkuvat. Katkaise silloin työkalusta virta ja lopeta työkalun ylikuormitustilan aiheuttanut käyttö. Käynnistä sitten työkalu uudelleen kytkemällä siihen virta.

## Työkalun ylikuumenemissuoja



Kun työkalu ylikuumenee, se pysähtyy automaattisesti ja merkkivalot sekä akun merkkivalo vilkkuvat noin 60 sekunnin ajan. Anna silloin työkalun jäähtyä, ennen kuin kytket siihen uudelleen virran.

## Ylipurkautumissuoja

Jos akun varaus käy vähiin, työkalu pysähtyy automaattisesti. Jos työkalu ei toimi, vaikka kytkimiä käytetään, irrota akut työkalusta ja lataa ne.

## Akun jäljellä olevan varaustason ilmaisin

(Vain akuille, joiden mallinumeron lopussa on kirjain "B".)

- **Kuva5:** 1. Merkkivalot 2. CHECK-painike

Saat näkyviin akun jäljellä olevan varaustason painamalla akun tarkistuspainiketta. Merkkivalot syttyvät muutaman sekunnin ajaksi.

Merkkivalot			Jäljellä oleva varaustaso
Palaa	OFF	Vilkkuu	
■ ■ ■ ■			75 - 100 %
■ ■ ■ □			50 - 75 %
■ ■ □ □			25 - 50 %
■ □ □ □			0 - 25 %
▬ □ □ □			Lataa akku.
■ ■ □ □	↑ ↓	■ ■	Akussa voi olla toimintahäiriö.

## HUOMAA:

- Ilmoitettu varaustaso voi erota hieman todellisesta varaustasosta sen mukaan, millaisissa oloissa ja missä lämpötilassa laitetta käytetään.





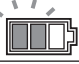
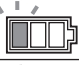

## Akussa jäljellä olevan varauksen näyttö

(Maakohtainen)

► **Kuva6:** 1. Akun ilmaisin 2. CHECK-painike

Saat akun ilmaisimet näyttämään akun jäljellä olevan varauksen määrän painamalla tarkistuspainiketta. Kumpikin akun ilmaisin vastaa yhtä akkua.

## Akussa jäljellä olevan varauksen näyttö

Aku merkivalon tila	Akussa jäljellä oleva varaus
 :ON  :OFF  :Viikkuu	
	50 % - 100 %
	20 % - 50 %
	0 % - 20 %
	Lataa akku

## Virtakytkimen toiminta

### VAROITUS:

- **Varmista aina ennen akun asentamista työkaluun, että liipaisinkytkin toimii moitteettomasti ja palautuu vapautettaessa OFF-asentoon.** Jos työkalua käytetään, vaikka kytkin ei toimi moitteettomasti, seurauksena voi olla työkalun hallinnan menettäminen ja vakava henkilövahinko.

► **Kuva7:** 1. Päävirtapainike

Kytke työkaluun virta pitämällä päävirtapainiketta painettuna muutaman sekunnin ajan.

Katkaise työkalun virta pitämällä päävirtapainiketta uudelleen painettuna.

► **Kuva8:** 1. Lukituksen vapautusvipu  
2. Liipaisinkytkin

Laitteessa on lukitusvipu, joka estää liipaisinkytkimen painamisen vahingossa.

Käynnistä työkalu tarttumalla takakahvaan (ote irrottaa lukitusvipun) ja painamalla sitten liipaisinkytkintä. Pysäytä työkalu vapauttamalla liipaisinkytkin.





### HUOMAA:

- Työkalun virta katkeaa automaattisesti, kun työkalu on ollut minuutin käyttämättömänä.

## Nopeuden säätö

► **Kuva9:** 1. Päävirtapainike

Voit säätää työkalun nopeutta napauttamalla päävirtapainiketta.

Aina, kun kosketat päävirtapainiketta, -merkkivalo tai -merkkivalo syttyy.  tarkoittaa suurta nopeutta ja  pientä nopeutta.

## Suunnanvaihtopainike roskien irrottamiseen

### VAROITUS:

- **Katkaise työkalun virta ja irrota akku ennen sellaisten takertuneiden rikkaruohojen ja roskien irrottamista, jotka eivät irtoa pyörimissuuntaa vaihtamalla.** Jos virtaa ei katkaista ja akkua irroteta, työkalu voi käynnistyä vahingossa ja aiheuttaa vakavia vammoja.

► **Kuva10:** 1. Suunnanvaihtonappi

Tässä työkalussa on suunnanvaihtopainike. Se on tarkoitettu vain työkaluun takertuneiden rikkaruohojen ja roskien irrottamiseen.

Jos haluat vaihtaa pyörimissuunnan, napauta suunnanvaihtopainiketta ja paina liipaisinkytkintä, kun työkalun leikkuupää on pysähtynyt. Kun liipaisinkytkintä painetaan, virran merkivalo alkaa vilkkua ja työkalun leikkuupää alkaa pyöriä vastakkaiseen suuntaan. Kun haluat palauttaa pyörimissuunnan normaalsiksi, vapauta liipaisin ja odota, että työkalun leikkuupää pysähtyy.

### HUOMAA:

- Työkalu pyörii vastakkaiseen suuntaan vain lyhyen ajan kerrallaan, minkä jälkeen se pysähtyy automaattisesti.
- Kun työkalu on pysähtynyt, pyörimissuunta palautuu normaalsiksi, kun käynnistät työkalun uudelleen.
- Jos napautat suunnanvaihtopainiketta työkalun leikkuupään pyöriessä, työkalu pysähtyy ja on valmis pyörimissuunnan vaihtamiseen.

## Nailonsiimapää (lisävaruste)

### HUOMAUTUS:

- Siiman syöttäminen napauttamalla ei toimi oikein, jos siimapää ei pyöri.

► **Kuva11:** 1. Tehokkain leikkuaalue

Nailonsiimapää on kaksisiimainen viimeistelyleikkuripää, jossa on napautusten mukaan ohjautuva syöttömekanismi.

Jos haluat saada lisää nailonsiimaa ulos, napauta siimapäää maata vasten työkalun pyöriessä hitaalla nopeudella.

**HUOMAA:** Jos siimapään napauttaminen maata vasten ei tuota lisää nailonsiimaa, kela nailonsiimaa takaisin tai vaihda se kohdassa "Kunnossapito" kuvatulla tavalla.



# KOKOONPANO

## ⚠VAROITUS:

- Varmista aina ennen työkalulle tehtäviä toimia, että laite on sammutettu ja akku on irrotettu. Jos laitetta ei sammuteta ja akkua irroteta, se voi käynnistyä vahingossa ja aiheuttaa vakavia vammoja.
- **Älä koskaan käynnistä työkalua, jos sen kaikki osat eivät ole paikallaan.** Jos kaikki osat eivät ole paikallaan, työkalu voi käynnistyä tahattomasti ja aiheuttaa vakavia vammoja.

## Kahvan asentaminen

- Kuva12: 1. Kädensija 2. Kuusiopultti 3. Suojus  
4. Puristin 5. Ripustin

Asenna kahva putken päälle ja kiristä se paikalleen kahdella kuusioruuuilla. Varmista, että kahva on edempänä kuin ripustin.

## Suojuksen asentaminen

### ⚠VAROITUS:

- **Älä koskaan käytä työkalua ilman kuvassa näkyvää suojusta.** Muuten seurauksena voi olla vakavia vammoja.

### ⚠HUOMIO:

- Varo, ettet loukkaa itseäsi nailonsiiman katkaisemiseen tarkoitettuun leikkuriin.

- Kuva13: 1. Leikkuri 2. Puristin 3. Pultti

- Kuva14: 1. Leikkuri 2. Puristin 3. Pultti

(Suojuksen muoto voi vaihdella mallittain.)

Kohdistä putkessa oleva kiristin suojukseen. Kiristä ne pulteilla.

## Nailonsiimapään tai muoviterän (lisävaruste) asennus

### ⚠HUOMIO:

- Jos nailonsiimapää/muoviterä osuu käytön aikana kiveen tai kovaan esineeseen, sammuta työkalu tarkista, ettei se ole vaurioitunut. Jos nailonsiimapää/muoviterä on vaurioitunut, vaihda se heti. Vaurioituneen leikkaustyökalun käyttäminen voi aiheuttaa vakavia vammoja.

### HUOMAUTUS:

- Käytä vain aitoja Makita-nailonsiimapäitä/ muoviteriä.

Käännä työkalu ylösalaisin, minkä jälkeen voit helposti vaihtaa nailonsiimapään.

- Kuva15: 1. Nailonsiimapää 2. Metallisuojus  
3. Vasta-aluslevy 4. Kuusioavain

- Kuva16: 1. Muoviterä 2. Mutteri 3. Metallisuojus  
4. Vasta-aluslevy 5. Kuusioavain

Aseta kuusioavain moottorikotelossa olevaan koloon ja kierrä vasta-aluslevyä, kunnes se lukittuu kuusioavaimen. Kiinnitä nailonsiimapää/muoviterä suoraan kierteiseen karaan ja kiristä se kiertämällä myötäpäivään. Irrota kuusioavain. Irrota nailonsiimapää/muoviterä kiertämällä sitä vastapäivään pitäen vasta-aluslevyä paikallaan kuusioavaimella.

# Kuusioavaimen varastointi

- Kuva17: 1. Kuusioavain

Säilytä kuusioavainta kuvan osoittamassa paikassa, ettei se pääse katoamaan.

# TYÖSKENTELY

## Työkalun oikea käsittely

### Oikea asento

#### ⚠VAROITUS:

- **Aseta työkalu aina oikealle puolellesi.** Työkalun oikea sijainti takaa sen mahdollisimman hyvän hallittavuuden ja vähentää takapotkun aiheuttamaa loukkaantumisvaaraa.
- **Huolehdi aina, että työkalu pysyy hallinassasi. Älä päästä työkalua ponnahtamaan itseäsi tai ketään muuta lähistöllä olevaa kohti.** Työkalun hallinnan menettäminen voi aiheuttaa vakavia vammoja sivullisille tai työkalun käyttäjille.

- Kuva18

## Olkahihna

### Lisävaruste

### Olkahihnan kiinnittäminen

- Kuva19: 1. Solki 2. Koukku

Pue olkahihna päällesi. Kiinnitä sitten soljet sekä koukkuun että olkahihnaan. Varmista, että soljet lukittuvat paikalleen.

### Irrotus

- Kuva20: 1. Solki

Solki on tarkoitettu pikairrotusvälineeksi. Voit irrottaa työkalun painamalla soljen reunoja.

### Ripustimen paikan ja olkahihnan säätö

- Kuva21: 1. Kuusiopultti

Jos haluat muuttaa ripustimen paikkaa, kierrä ripustimen kuusioruuvi löysälle mukana toimitetulla ruuviavaimella. Siirrä sitten ripustinta. Kun olet säätänyt ripustimen paikan, kiristä kuusioruuvi tiukasti ruuviavaimella.

# KUNNOSSAPITO

## **VAROITUS:**

- **Varmista aina ennen säätöjä tai tarkastuksia, että laite on sammutettu ja akku on irrotettu.** Jos laitetta ei sammuteta ja akkua irroteta, se voi käynnistyä vahingossa ja aiheuttaa vakavia vammoja.

## **HUOMAUTUS:**

Älä koskaan käytä bensiiniä, ohentimia, alkoholia tai tms. aineita. Muutoin pinta voi halkeilla tai sen värit ja muoto voivat muuttua.

## Nailonsiiman vaihtaminen

## **VAROITUS:**

- **Älä käytä metallilankaa, narua tai vastaavaa.** Käytä vain suositeltua nailonsiimaa, sillä muut materiaalit voivat vaurioittaa työkalua ja aiheuttaa vakavia vammoja.
- **Varmista, että nailonsiimapään kansi on tukevasti kiinni kotelossa alla kuvatulla tavalla.** Jos kansi ei ole tukevasti kiinni, nailonsiimapää voi sinkoutua irti ja aiheuttaa vakavia vammoja.

### ► Kuva22

Ota kansi pois kotelosta painamalla kahta kotelon vastakkaisilla puolilla olevaa salpaa (urallista osaa).

### ► Kuva23: 1. 80 - 100 mm

Leikkaa nailonsiima 3 m:n pituiseksi. Taita leikkuusiima kahteen osaan, jätä toinen puolisko 80–100 mm toista pidemmäksi.

### ► Kuva24

Pujota nailonsiiman lenkki kelan keskellä olevaan loveen, joka on nailonsiimalle tarkoitettujen kahden kanavan välissä. Kierrä molemmat päät tukevasti kelan ympärille merkinällä RH osoitettuun suuntaan.

### ► Kuva25

Jätä noin 100 mm siimoista kelaamatta niin, että niiden päät ovat väliaikaisesti kiinni kelan reunassa olevissa lovilla.

### ► Kuva26

Kiinnitä kela kanteen siten, että kelan urat ja ulkonemat tulevat vasten kannen uria ja ulkonemia. Irrota sitten siiman päät väliaikaisesti kiinnityksestään ja pujota simat silmäkkeiden läpi siten, että ne tulevat ulos kannesta.

### ► Kuva27

Kohdista kannen alapuolen ulkonemat silmäkkeiden loviin. Työnnä kansi sitten tiukasti kiinni koteloon. Varmista, että salvat asettuvat oikein kanteen.

## Muoviterän vaihtaminen

### ► Kuva28

Vaihda terä, jos se on kulunut tai rikkoutunut.

Koneen TURVALLISUUDEN ja LUOTETTAVUUDEN säilyttämiseksi korjaukset sekä muut huoltotoimet ja säädöt on jätettävä Makitan valtuuttaman huollon tehtäväksi käyttäen aina Makitan alkuperäisiä varaosia.

# VIANMÄÄRITYS

Tarkista laite ensin itse, ennen kuin viet sen korjattavaksi. Jos ongelmaan ei löydy ratkaisua käyttöoppaasta, älä kuitenkaan yritä purkaa työkalua osiin. Vie laite sen sijaan Makita-huoltoliikkeeseen. Käytä korjaamiseen aina alkuperäisiä Makita-varaosia.

Vikatoiminto	Syy	Toimenpide
Moottori ei käy.	Akku ei ole paikallaan.	Kiinnitä akku paikalleen.
	Akkuvika (jännitteisenä)	Lataa akku. Jos lataus ei onnistu, vaihda akku.
	Voimansiirto ei toimi oikein.	Kysy korjausohjeita valtuutetulta huoltoliikkeeltä.
Moottori pysähtyy toimittuaan lyhyen ajan.	Pyörimissuunta on vaihdettu.	Vaihda pyörimissuunta suunnanvaihtokytkimellä.
	Akun varaus ei riitä.	Lataa akku. Jos lataus ei onnistu, vaihda akku.
	Laite ylikuumenee.	Lopeta työkalun käyttö ja anna sen jäähtyä.
Laite ei saavuta suurinta kierrosnopeutta.	Akku ei ole oikein paikallaan.	Kiinnitä akku paikalleen tässä käyttöohjeessa kuvatulla tavalla.
	Akun teho heikkenee.	Lataa akku. Jos lataus ei onnistu, vaihda akku.
	Voimansiirto ei toimi oikein.	Kysy korjausohjeita valtuutetulta huoltoliikkeeltä.
Leikkuuterä ei pyöri: pysäytä laite heti!	Suojuksen ja nailonsiimapään väliin on juuttunut jotakin, esimerkiksi oksa.	Irrota juuttunut esine.
	Voimansiirto ei toimi oikein.	Kysy korjausohjeita valtuutetulta huoltoliikkeeltä.
Laite tärisee epänormaalisti: pysäytä laite heti!	Nailonsiiman toinen pää on katkennut.	Syötä lisää siimaa napauttamalla pyörivää nailonsiimapäätä maata vasten.
	Voimansiirto ei toimi oikein.	Kysy korjausohjeita valtuutetulta huoltoliikkeeltä.
Leikkuuterä ja moottori ei pysähdy: irrota akku heti!	Sähkö- tai elektroniikkavika.	Irrota akku ja kysy korjausohjeita valtuutetulta huoltoliikkeeltä.

# LISÄVARUSTEET

## **VAROITUS:**

- **Älä asenna terää tähän työkaluun, ja käytä vain tässä ohjeessa suositeltuja lisävarusteita tai -laitteita.** Terän tai muiden lisävarusteiden tai -laitteiden käyttö voi aiheuttaa vakavia vammoja.

## **HUOMIO:**

- Näitä lisävarusteita ja -laitteita suositellaan käytettäväksi tässä ohjekirjassa mainitun Makitan koneen kanssa. Minkä tahansa muun lisävarusteen tai -laitteen käyttäminen voi aiheuttaa loukkaantumisvaaran. Käytä lisävarusteita ja -laitteita vain niiden käyttötarkoituksen mukaisesti.

Jos tarvitset apua tai yksityiskohtaisempia tietoja seuraavista lisävarusteista, ota yhteys paikalliseen Makitan huoltoon.

- Nailonsiimapää
- Nailonsiima (leikkuusiima)
- Muoviterä
- Olkahihna
- Aito Makitan akku ja laturi

## **HUOMAA:**

- Jotkin luettelossa mainitut varusteet voivat sisältyä työkalun toimitukseen vakiovarusteina. Ne voivat vaihdella maittain.

# SPECIFIKĀCIJAS

Modelis	DUR364L			
Roktura veids	Cilpas rokturis			
Tukšgaitas ātrums	5 000 / 6 500 min <sup>-1</sup>			
Kopējais garums	1 754 mm			
Neilona auklas diametrs	2,0 - 2,4 mm			
Izmantojamais griezējinstrumentis	Neilona griezējgalva (daļas Nr. 197297-1)	Plastmasas asmens (daļas Nr. 197188-6)	Neilona griezējgalva (daļas Nr. 197297-1)	Plastmasas asmens (daļas Nr. 197188-6)
Griezējasmens diametrs	350 mm	255 mm	350 mm	255 mm
Nominālais spriegums	Līdzstrāva 36 V			
Neto svars	4,0 kg	3,9 kg	4,5 kg	4,4 kg
Standarta akumulatora kasetne	BL1815N / BL1820 / BL1820B		BL1830 / BL1830B / BL1840 / BL1840B / BL1850 / BL1850B / BL1860B	

- Dēļ mūsu nepārtrauktās pētniecības un izstrādes programmas, šeit dotās specifikācijas var mainīties bez brīdinājuma.
- Specifikācijas un akumulatora kasetne dažādās valstīs var atšķirties.
- Svārs ar akumulatora kasetni atbilstošs EPTA procedūrai 01/2003

Troksnis	Vidējais skaņas spiediena līmenis		Vidējais skaņas jaudas līmenis		Piemērojamais standarts
	L <sub>PA</sub> (dB (A))	L <sub>WA</sub> (dB (A))	Neskaidrība K (dB (A))	Neskaidrība K (dB (A))	
Neilona griezējgalva	81	89	0,3		2000/14/EC
Plastmasas asmens	83	92	0,3		

Vibrācija	Pa kreisi		Pa labi		Piemērojamais standarts
	a <sub>h,w</sub> (m/s <sup>2</sup> )	Neskaidrība K (m/s <sup>2</sup> )	a <sub>h,w</sub> (m/s <sup>2</sup> )	Neskaidrība K (m/s <sup>2</sup> )	
Neilona griezējgalva	≤ 2,5	1,5	≤ 2,5	1,5	EN50636-2-91
Plastmasas asmens	≤ 2,5	1,5	≤ 2,5	1,5	

**PIEZĪME:** Paziņotā vibrācijas emisijas vērtība noteikta atbilstoši standarta pārbaudes metodei un to var izmantot, lai salīdzinātu vienu darbarīku ar citu.




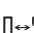






**PIEZĪME:** Paziņoto vibrācijas emisijas vērtību arī var izmantot iedarbības sākotnējā novērtējumā.

**▲BRĪDINĀJUMS:** Reāli lietojot mehānizēto darbarīku, vibrācijas emisija var atšķirties no paziņotās emisijas vērtības atkarībā no darbarīka izmantošanas veida.

**▲BRĪDINĀJUMS:** Lai aizsargātu lietotāju, nēsāiet drošības pasākumus, kas pamatoti ar iedarbību reālos darba apstākļos (ņemot vērā visus ekspluatācijas cikla posmus, piemēram, laiku, kamēr darbarīks ir izslēgts un kad darbojas tukšgaitā, kā arī palaides laiku).

## Simboli

Zemāk ir attēloti simboli, kas attiecas uz iekārtu. Pirms darbarīka izmantošanas pārlicinieties, vai pareizi izprotat to nozīmi.

	Esiet īpaši rūpīgi un uzmanīgi!
	Izlasiet rokasgrāmatu.
	Bīstami! Uzmanieties no izmestiem priekšmetiem.
	Attālumam starp darbarīku un personām jābūt vismaz 15 m.
	Neļaujiet tuvumā atrasties nepiederošām personām.
	Attālumam jābūt vismaz 15 m.
	Izmantojiet ķiveri, aizsargbrilles un ausu aizsargus.
	Izmantojiet aizsargcimdus.
	Valkājiet cietus apavus ar neslidošām zolēm. Ieteicami apavi ar tērauda purngaliem.
	Neatstājiet mitrumā.



Lielākais pieļaujamais darbarīka ātrums.



Nekad neizmantojiet metāla asmeni.



Tikai ES valstīm  
Neizmest elektrisko aprīkojumu vai akumulatoru sadzīves atkritumos!  
Saskaņā ar Eiropas direktīvu par elektrisko un elektronisko iekārtu atkritumiem, kā arī par baterijām un akumulatoriem, un bateriju un akumulatoru atkritumiem un to īstenošanu saskaņā ar valsts likumdošanu lietotais elektriskais aprīkojums, baterijas un akumulatori kalpošanas laika beigās jāsavāc atsevišķi un jānogādā otrreizējai pārstrādei vidi saudzējošā veidā.

## Tikai Eiropas valstīm

### EK Atbilstības deklarācija

#### Makita paziņo, ka šāds instruments(-i):

Darbarīka nosaukums:  
Bezvada zāles trimers  
Modeļa Nr./ tips: DUR364L  
Specifikācijas: skatīt tabulu „SPECIFIKĀCIJAS”.

#### Atbilst sekojošām Eiropas Direktīvām:

2000/14/EK, 2006/42/EK

Ražots saskaņā ar šādu standartu vai normatīvajiem dokumentiem:

EN60335, EN/ISO11806, EN50636

Tehniskā lieta atbilstīgi 2006/42/EK ir pieejama:

Makita, Jan-Baptist Vinkstraat 2, 3070, Beļģija

Atbilstības novērtējuma procedūra, ko nosaka Direktīva 2000/14/EK, veikta atbilstīgi pielikumam V.

#### Ar plastmasas asmeni

Novērtētais skaņas jaudas līmenis 92 dB (A)

Garantētais skaņas jaudas līmenis 92 dB (A)

Atbilstības novērtējuma procedūra, ko nosaka Direktīva 2000/14/EK, veikta atbilstīgi pielikumam V1.

Pieteiktā iestāde:

TÜV Rheinland LGA Products GmbH  
Tillystraße 2  
90431 Nürnberg, Vācija  
Identifikācijas Nr. 0197

#### Ar neilona griezējgalvu

Novērtētais skaņas jaudas līmenis 89 dB (A)

Garantētais skaņas jaudas līmenis 90 dB (A)

1.10.2015

Yasushi Fukaya  
Direktors

Makita, Jan-Baptist Vinkstraat 2, 3070, Beļģija

## SVARĪGI DROŠĪBAS NOTEIKUMI

**⚠ BRĪDINĀJUMS!** Izlasiet visus drošības brīdinājumus un visus norādījumus. Brīdinājumu un norādījumu neievērošanas gadījumā var rasties elektriskās strāvas trieciens, ugunsgrēks un/vai nopietnas traumas.

### Glabāriet visus brīdinājumus un norādījumus, lai varētu tajos ieskatīties turpmāk.

1. Iepazīstieties ar ierīces vadības iekārtām un pareizu izmantošanu.
2. Griezējelementi turpina griezties arī pēc motora izslēgšanas.
3. Nepieļaujiet, lai aparātu izmanto bērni vai cilvēki, kas nepazīna ierīces izmantošanas norādījumus.
4. Pārtrauciet darbu ar ierīci, ja tuvumā ir cilvēki, jo īpaši bērni, vai dzīvnieki.
5. Ierīci izmantojiet tikai dienas gaismā vai labā makslīgā apgaismojumā.
6. Pirms ierīces izmantošanas vai pēc notikuša trieciena, pārbaudiet, vai ierīcei nav nodilumi vai bojājumi, un, ja nepieciešams, salabojiet.
7. Uzmanieties, lai sevi neievainotu ar ierīci, kas paredzēta auklas nogriešanai vajadzīgajā gadījumā. Pēc jaunas griešanas auklas izvirkšanas vienmēr novietojiet ierīci pareizā ekspluatācijas stāvoklī, pirms to ieslēgt.
8. Nekad neuzstādiēt metāla griezējelementus.
9. Šo iekārtu nevar izmantot personas (tai skaitā bērni) ar samazinātām fiziskām, sensoriskām vai psihiskām spējām, vai kam trūkst pieredze un zināšanas, ja tām nav nodrošināta uzraudzība un sniegti norādījumi par iekārtas izmantošanu, ko sniegusi persona, kas atbildīga par to drošību. Bērni ir jāuzrauga, lai nepieļautu bērnu spēlēšanos ar iekārtu.
10. Darbarīku izmantojiet ar vislielāko rūpību un uzmanību.
11. Darbarīku lietojiet tikai tad, ja esat labā fiziskā stāvoklī. Visus darbus veiciet mierīgi un uzmanīgi. Sekojiet savai darbībai un ņemiet vērā, ka operators vai lietotājs ir atbildīgs par negadījumiem vai apdraudējumu, kas radīts citiem cilvēkiem vai to īpašumam.
12. Nelietojiet darbarīku, ja esat noguris, slims vai atrodies alkohola vai medikamentu ietekmē.
13. Darbarīks jāizslēdz nekavējoties, ja pamanāt nepareizas darbības pazīmes.

### Darbarīka paredzētā izmantošana

1. Izmantojiet pareizo darbarīku. Bezvada zāles trimers ir paredzēts tikai zāles un nelielu nezāļu griešanai. To nedrīkst izmantot citiem mērķiem, piemēram, dzīvzogu cirpšanai, jo tas var izraisīt ievainojumus.

## Individuālās aizsardzības līdzekļi

### ► Att.1

### ► Att.2

1. Valkājiet piemērotu apģērbu. Valkātajam apģērbam jābūt funkcionālam un piemērotam, t.i., tam jābūt cieši pieguļošam, taču tas nedrīkst ierobežot kustības. Nenēsāriet tādas rotaslietas vai apģērbu, kas var ieķerties zālē. Ja jums ir gari mati, lietojiet galvassegu.
2. Izmantojot darbarīku, vienmēr valkājiet cietus apavus ar neslīdošām zolēm. Tie pasargā no ievainojumiem un nodrošina stabilu pamatu.
3. Lietojiet aizsargbrilles vai brilles.

## Elektrodrošība un akumulatora drošība

1. Izvairieties no bīstamas vides. Neizmantojiet darbarīku mitrās vai slapjās vietās un nepakļaujiet to lielumam. Ja darbarīkā nokļūš ūdens, palielināsies elektriskās strāvas trieciena risks.
2. Uzlādei izmantojiet tikai ražotāja norādītos lādētājus. Vienam akumulatoru tipam paredzēta lādētāja izmantošana cita tipa akumulatoru uzlādei var radīt ugunsgrēka risku.
3. Izmantojiet mehanizētos darbarīkus tikai ar paredzētajiem akumulatoriem. Jebkura cita tipa akumulatoru izmantošana var radīt ievainojuma un ugunsgrēka risku.
4. Kamēr akumulators netiek izmantots, neturiet to blakus metāla priekšmetiem, piemēram, saspraudēm, monētām, atslēgām, naglām, skrūvēm un citiem nelieliem metāla priekšmetiem, kas var savienot spaiļas. Akumulatora spaiļu īsslēgums var radīt apdegumus vai izraisīt ugunsgrēku.
5. Nepareizas lietošanas gadījumā no akumulatora var iztect šķidrums, nepieskarieties tam. Ja jūs nejausi pieskārāties šķidrumam, noskalojiet saskares vietu ar ūdeni. Ja šķidrums nokļūst acīs, griežieties pie ārsta. No akumulatora iztečujušais šķidrums var izraisīt kairinājumu vai apdegumus.
6. Nelikvidējiet akumulatoru, to sadedzinot. Tas var eksplodēt. Pārbaudiet vietējos noteikumus, lai uzzinātu iespējamās īpašas likvidēšanas norādījumus.
7. Neatveriet un nedeformējiet akumulatoru(-s). Iztečujušais elektrolīts ir kodīgs un var izraisīt acu vai ādas bojājumus. Norijot tas var būt toksisks.

## Darbarīka iedarbināšana

### ► Att.3

1. Pārbaudiet, vai darba zonas apgabalā – 15 metru (50 pēdu) attālumā – neatrodas bērni vai citi cilvēki, kā arī uzmanieties no dzīvniekiem tuvumā. Pretējā gadījumā pārtrauciet darbarīka lietošanu.
2. Pirms lietošanas vienmēr pārbaudiet, vai darbarīks ir ekspluatācijā drošs. Pārbaudiet griezējinstrumenta un aizsarga drošību un pārbaudiet, vai slēdža mēlīte/svira darbojas viegli un pareizi. Pārbaudiet, vai rokturi ir tīri un sausi un pārbaudiet slēdža ieslēgšanas/izslēgšanas funkciju.

3. Pirms darbarīka izmantošanas pārbaudiet, vai tam nav bojātas daļas. Bojātais aizsargs vai cita daļa ir rūpīgi jāpārbauda, lai noteiktu, vai tā darbosies pareizi un izpildīs savas funkcijas. Pārbaudiet, vai kustīgās daļas ir pareizi savienotas, tās var brīvi darboties, daļas nav salūzušas, pārbaudiet uzstādīšanu un citus apstākļus, kas var ietekmēt darbarīka darbību. Bojātais aizsargs vai citas daļas jāmaina vai to remonts pareizi jāveic pilnvarotā servisa centrā, ja vien šajā lietošanas rokasgrāmatā nav norādīts citādi.
4. Motoru ieslēdziet tikai tad, ja rokas un kājas neatrodas griezējinstrumenta tuvumā.
5. Pirms iedarbināšanas pārbaudiet, vai griezējinstrumenta nesaskaras ar cietiem priekšmetiem, piemēram, zariem, akmeņiem u. c., jo pēc iedarbināšanas griezējinstrumenta sāks griezties.

## Ekspluatācijas metode

1. Nekad nelietojiet ierīci ar bojātu aizsargu vai bez tā.
2. Darbarīku izmantojiet tikai labā apgaismojumā un redzamībā. Ziemā esiet uzmanīgi slidenās vai slapjās vietās, uz ledus un sniegā (paslīdēšanas risks). Vienmēr stingri stāviet uz pamatnes.
3. Uzmanieties, lai griezējinstrumenta neievainotu kājas un rokas.
4. Rokas un kājas nekad neturiet griezējinstrumenta tuvumā, jo sevišķi tad, kad ieslēdz motoru.
5. Nekad nepļaujiet augstāk par vidukļa augstumu.
6. Nekad nestāviet uz kāpnēm ar iedarbinātu darbarīku.
7. Nekad nestrādājiet uz nestabilām virsmām.
8. Nesniedzieties pāri. Vienmēr saglabājiet atbilstošu atbalstu kājām un līdzsvaru.
9. Atbrīvojiet darba zonas apgabalu no smiltīm, akmeņiem, naglām u.c. Svešķermeņi var bojāt griezējinstrumentu un var aizlidot, radot nopietnus ievainojumus.
10. Ja griezējinstrumenta saskaras ar akmeņiem vai citiem cietiem priekšmetiem, nekavējoties izslēdziet motoru un pārbaudiet griezējinstrumentu.
11. Pirms griešanas uzsākšanas griezējinstrumentam ir jāsasniedz pilns darba ātrums.
12. Ekspluatācijas laikā vienmēr turiet darbarīku ar abām rokām. Lietošanas laikā nekad neturiet darbarīku ar vienu roku. Vienmēr stingri stāviet uz pamatnes.
13. Ekspluatācijas laikā jāizmanto viss aizsarga-priekojums, piemēram, aizsargs, kas piegādāts kopā ar darbarīku.
14. Izņemot ārkārtas gadījumus, nekad nemetiet vai nesviediet darbarīku pret zemi, jo tas var nopietni bojāt darbarīku.
15. Nekad nevelciet darbarīku pa zemi, kad to pārvietojat. To šādi pārvietojo, iespējams sabojāt.
16. No darbarīka vienmēr izņemiet akumulatora kasetni:

- atstājot darbarīku bez uzraudzības;
  - pirms nosprostošanas tīrīšanas;
  - pirms darbarīka pārbaudīšanas, tīrīšanas vai labošanas;
  - pirms darbarīka regulēšanas, piederumu nomaiņas vai novietošanas glabāšanā;
  - ja darbarīks sāk neparasti vibrēt;
  - darbarīku transportēto;
17. Nepārslodiet darbarīku. Darbs būs paveikts labāk un ar mazāku ievainojumu risku, ja darbarīku izmantosit paredzētajā ātrumā.

## Tehniskās apkopes instrukcijas

1. Pirms darba sākšanas pārbaudiet griezējinstrumenta stāvokli, aizsargierīces un pleca siksnu.
2. Pirms veikt tehnisko apkopi, mainīt griezējinstrumentu vai tīrīt darbarīku, izslēdziet motoru un izņemiet akumulatora kasetni.
3. Pēc lietošanas no darbarīka vienmēr izņemiet akumulatora kasetni un pārbaudiet, vai nav bojājumu.
4. Pārbaudiet, vai sastiprināšanas detaļas nav vaļīgas un vai griezējinstrumentam nav bojātu, piemēram, daļēji vai līdz pusei nogrieztu, daļu.
5. Kad darbarīku neizmanto, tas jāuzglabā sausā vietā, kas ir aizslēgta un nav sasniedzama bērniem.
6. Izmantojiet tikai ražotāja ieteiktās rezerves daļas un papildpiederumus.
7. Vienmēr nodrošiniet, lai ventilācijas atverēs nav neitrumu.
8. Regulāri pārbaudiet un apkopiet darbarīku, jo sevišķi pirms/pēc lietošanas. Darbarīku drīkst labot tikai pilnvarotā servisa centrā.
9. Sekojiet tam, lai darbarīku rokturi vienmēr būtu sausi, tīri un uz tiem nebūtu smērvielu.

## SAGLABĀJIET ŠOS NORĀDĪJUMUS.

**▲BRĪDINĀJUMS: NEZAUDĒJIET** modrību darbarīka lietošanas laikā (tas var gadīties pēc darbarīka daudzkārtējas izmantošanas), rūpīgi ievērojiet urbšanas drošības noteikumus šim izstrādājumam. **NEPAREIZAS LIETOŠANAS** vai šīs rokasgrāmatas drošības noteikumu neievērošanas gadījumā var gūt smagas traumas.

## Svarīgi drošības norādījumi par akumulatora kasetni

1. Pirms akumulatora lietošanas izlasiet visus norādījumus un brīdinājumus, kuri attiecas uz (1) akumulatora lādētāju, (2) akumulatoru un (3) ierīci, kurā tiek izmantots akumulators.
2. Neizjauciet akumulatoru.
3. Ja akumulatora darbības laiks kļuva ievērojami īsāks, nekavējoties pārtrauciet to izmantot. Citādi, tas var izraisīt pārkarsējumu, uzliesmojumu vai pat sprādzienu.

4. Ja elektrolīts nonāk acīs, izskalojiet tās ar tīru ūdens un nekavējoties griezieties pie ārsta. Tas var izraisīt redzes zaudēšanu.
5. Neradiet īssavienojumu akumulatora kasetnē:
  - (1) Nepieskarieties spaiļiem ar elektrību vadošiem materiāliem.
  - (2) Neuzglabājiet akumulatoru kasetni kopā ar citiem metāla priekšmetiem, tādiem kā naglas, monētas u. c.
  - (3) Nepakļaujiet akumulatora kasetni ūdens vai lietus iedarbībai.

Akumulatora īssavienojums var radīt spēcīgu strāvas plūsmu, pārkarsānu, uzliesmojumu un pat sabojāt akumulatoru.

6. Neglabājiet darbarīku un akumulatora kasetni vietās, kur temperatūra var sasniegt vai pārsniegt 50 °C (122 °F).
7. Nededziniet akumulatora kasetni, pat ja tā ir stipri bojāta vai pilnībā nolietota. Akumulatora kasetne ugunī var eksplodēt.
8. Uzmanieties, lai neļautu akumulatoram nokrist un nepakļautu to sitienam.
9. Neizmantojiet bojātu akumulatoru.
10. Uz izmantotajiem litija jonu akumulatoriem attiecas likumdošanas prasības par bīstamiem izstrādājumiem.
 

Komerציālā transportēšanā, ko veic, piemēram, trešās puses, transporta uzņēmumi, jāievēro uz iesaiojuma un marķējuma norādītās īpašās prasības.

Lai izstrādājumu sagatavotu nosūtīšanai, jāsaizina ar bīstamo materiālu speciālistu. Ievērojiet arī citus attiecināmos valsts noteikumus.

Valējus kontaktus nosedziet ar līmteni vai citādi pārklājiet, bet akumulatoru iesaiojiet tā, lai sainti tas nevarētu izkustēties.
11. Ievērojiet vietējos noteikumus par akumulatora likvidēšanu.

## SAGLABĀJIET ŠOS NORĀDĪJUMUS.

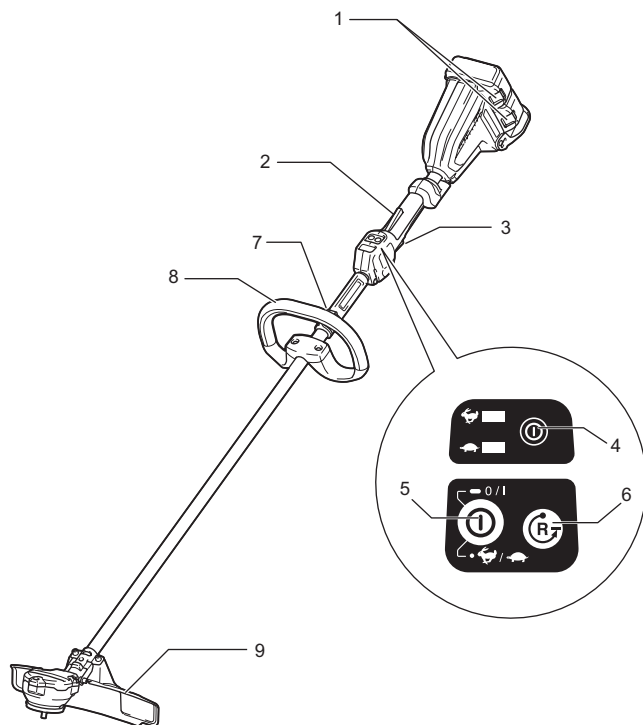
**▲UZMANĪBU:** Lietojiet tikai oriģinālos Makita akumulatorus. Ja lietojat neoriģinālus Makita akumulatorus vai pārveidotus akumulatorus, tie var uzsprāgt un izraisīt aizdegšanos, traumas un materiālos zaudējumus. Tiks anulēta arī Makita darbarīka un lādētāja garantija.

## Ieteikumi akumulatora kalpošanas laika pagarināšanai

1. Uzlādējiet akumulatora kasetni, pirms tā ir pilnībā izlādējusies. Vienmēr, kad ievērojat, ka darbarīka darba jauda zudusi, apturiet darbarīku un uzlādējiet akumulatora kasetni.
2. Nekad neuzlādējiet pilnībā uzlādētu akumulatora kasetni. Pārmērīga uzlāde saīsina akumulatora kalpošanas laiku.
3. Uzlādējiet akumulatora kasetni istabas temperatūrā 10 °C - 40 °C. Karstai akumulatora kasetnei pirms uzlādes ļaujiet atdzist.
4. Uzlādējiet litija jonu akumulatora kasetni, ja to ilgstoši nelietosit (vairāk nekā sešus mēnešus).



# DETAĻU APRAKSTS



1	Akumulatora kasetne	2	Atbloķēšanas svira
3	Slēdža mēlīte	4	Jaudas indikators
5	Galvenā jaudas poga	6	Pretējā virziena poga
7	Cilpa	8	Rokturis
9	Aizsargs (griezējinstrumenta aizsargs)		

# FUNKCIJU APRAKSTS

## ⚠️ BRĪDINĀJUMS:

- Vienmēr pirms darbarīka regulēšanas vai funkciju pārbaudes pārbaudiet, vai darbarīks ir izslēgts un akumulatora kasetne ir izņemta. Ja darbarīku neizslēdz un neizņem akumulatora kasetni, tam nejauši ieslēdzoties, var izraisīt nopietnus ievainojumus.

## Akumulatora kasetnes uzstādīšana un izņemšana

- **Att.4:** 1. Sarkans indikators 2. Poga 3. Akumulatora kasetne

## ⚠️ UZMANĪBU:

- Vienmēr pirms akumulatora kasetnes uzstādīšanas vai noņemšanas izslēdziet darbarīku.
- Uzstādot vai izņemot akumulatora kasetni, darbarīku un akumulatora kasetni turiet cieši. Ja darbarīku un akumulatora kasetni netur cieši, tie var izkrist no rokām un radīt bojājumus darbarīkam un akumulatora kasetnei, kā arī izraisīt ievainojumus.

Lai izņemtu akumulatora kasetni, izvelciet to no darbarīka, pārīdīt kasetnes priekšpusē esošo pogu. Lai uzstādītu akumulatora kasetni, salāgojiet mēlīti uz akumulatora kasetnes ar rievu ietvarā un iebīdīet to vietā. Bīdīet to iekšā līdz klikšķim, kas nozīmē, ka tā ir pareizi uzstādīta. Ja pogas augšējā daļā ir redzams sarkans indikators, tas nozīmē, ka tā nav pilnīgi bloķēta.

## ⚠️ UZMANĪBU:

- Vienmēr ievietojiet akumulatora kasetni tā, lai sarkanais indikators nebūtu redzams. Pretējā gadījumā tā var nejauši izkrist no darbarīka un radīt jums vai apkārtējiem ievainojumu.
- Neievietojiet akumulatora kasetni ar spēku. Ja kasetne neslīd ietvarā viegli, tā nav pareizi ielikta.

## PIEZĪME:

- Darbarīks nedarbojas ar tikai vienu akumulatora kasetni.

## Darbarīka/akumulatora aizsardzības sistēma

Darbarīks ir aprīkots ar darbarīka/akumulatora aizsardzības sistēmu. Šī sistēma automātiski izslēdz jaudas padevi motoram, lai pagarinātu darbarīka un akumulatora kalpošanas laiku. Darbarīks automātiski pārstās darboties ekspluatācijas laikā, ja darbarīku vai akumulatoru pakļaus kādam no šiem apstākļiem. Dažu apstākļu gadījumā izgaismojas indikatori.

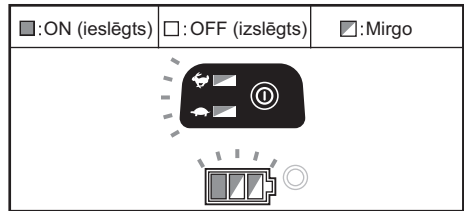
## Aizsardzība pret pārslodzi

: ON (ieslēgts) : OFF (izslēgts) : Mirgo



Ja darbarīks ir pārslogots, jo tajā ir iekļērušās nezāles vai citi netīrumi, darbarīks automātiski pārstāj darboties un mirgo indikatori . Šādā gadījumā izslēdziet darbarīku un pārtrauciet darbību, kas izraisīja darbarīka pārslodzi. Pēc tam ieslēdziet darbarīku un atsāciet darbu.

## Aizsardzība pret darbarīka pārkaršanu



Kad darbarīks ir pārkaršis, tas automātiski pārstāj darboties, un apmēram 60 sekundes mirgo indikatori un akumulatora indikators. Šādā gadījumā ļaujiet darbarīkam atdzist, pirms vēlreiz darbarīku ieslēgt.

## Aizsardzība pret akumulatora pārmērīgu izlādi

Kad akumulatora jauda ir zema, darbarīks automātiski pārstāj darboties. Ja darbarīks nedarbojas, pat ieslēdzot slēdzus, no darbarīka izņemiet akumulatoru un veiciet akumulatoram uzlādi.

## Atlikušās akumulatora jaudas indikators

(Tikai akumulatora kasetnēm ar "B" burtu modeļa numura beigās.)

- **Att.5:** 1. Indikatora lampiņas 2. Poga CHECK

Nospiediet pārbaudes pogu uz akumulatora kasetnes, lai pārbaudītu akumulatora atlikušo jaudu. Indikatora lampas izgaismošies dažas sekundes.

Indikatora lampiņas			Atlikusī jauda
Deg	OFF (izslēgts)	Mirgo	
■ ■ ■ ■ ■	□ □ □ □ □	□ □ □ □ □	75 % - 100 %
■ ■ ■ ■ □	□ □ □ □ □	□ □ □ □ □	50 % - 75 %
■ ■ ■ □ □	□ □ □ □ □	□ □ □ □ □	25 % - 50 %
■ ■ □ □ □	□ □ □ □ □	□ □ □ □ □	0 % - 25 %
■ ■ □ □ □	□ □ □ □ □	□ □ □ □ □	Uzlādējiet akumulatoru.
■ ■ □ □ □	□ □ □ □ □	□ □ □ □ □	Akumulators, iespējams, ir bojāts.

## PIEZĪME:

- Reālā jauda var nedaudz atšķirties no norādītās atkarībā no lietošanas apstākļiem un apkārtējās temperatūras.

## Atlikušās akumulatora jaudas norāde

(Atkarībā no valsts)

- **Att.6:** 1. Akumulatora indikators 2. Poga CHECK

Nospiediet pārbaudes pogu, lai akumulatora indikatori norādītu atlikušos akumulatora jaudu. Akumulatora indikatori atbilst katram akumulatoram.

## Atlikušās akumulatora jaudas norāde

Akumulatora indikatora statuss	Atlikusī akumulatora jauda
	50 % - 100 %
	20 % - 50 %
	0 % - 20 %
	Uzlādējiet akumulatoru

## Strāvas slēdža darbība

### ▲BRĪDINĀJUMS:

- Pirms akumulatora kasetnes ievietošanas darbarīkā, vienmēr pārbaudiet, vai slēdža mēlīte darbojas pareizi un pēc atlaišanas atgriežas stāvoklī „OFF” (izslēgts). Lietojot darbarīku, kura slēdzis nedarbojas pareizi, var zaudēt kontroli un radīt smagus ievainojumus.

#### ► Att.7: 1. Galvenā jaudas poga

Nospiediet un dažas sekundes turiet nospiestu galveno jaudas pogu, lai ieslēgtu darbarīku.

Lai darbarīku izslēgtu, vēlreiz nospiediet un paturiet nospiestu galveno jaudas pogu.

#### ► Att.8: 1. Atbloķēšanas svira 2. Slēdža mēlīte

Lai nepieļautu slēdža mēlītes nejaušu nospiešanu, darbarīks ir aprīkots ar bloķēšanas sviru.

Lai iedarbinātu darbarīku, satveriet aizmugurējo rokturi (šis satvēriens atbrīvo bloķēšanas sviru) un pēc tam nospiediet slēdža mēlīti. Lai apturētu darbarīku, atlaidiet slēdža mēlīti.

### PIEZĪME:

- Darbarīks automātiski izslēdzas, ja to nedarbina vienu minūti.

## Ātruma regulēšana

#### ► Att.9: 1. Galvenā jaudas poga

Darbarīka ātrumu var regulēt, pieskaroties galvenajai jaudas pogai. Katru reizi pieskaroties galvenajai jaudas pogai, izgaismojamo indikatoru vai indikatoru apzīmē lielu ātrumu, bet apzīmē mazu ātrumu.

## Virziena maiņas poga netīrumu izņemšanai

### ▲BRĪDINĀJUMS:

- Pirms tādu iekērušo nezāļu vai netīrumu izņemšanas, ko nevar izņemt ar darbarīka iedarbināšanu pretējā virzienā, vienmēr izslēdziet darbarīku un izņemiet akumulatora kasetni. Ja darbarīku neizslēdz un neizņem akumulatora kasetni, nejauši ieslēdzoties, var izraisīt smagus ievainojumus.

#### ► Att.10: 1. Pretējā virziena poga

Šis darbarīks ir aprīkots ar virziena maiņas pogu, kas ļauj mainīt griešanās virzienu. Tā ir paredzēta tikai darbarīkā iekērušo nezāļu vai netīrumu izņemšanai. Lai mainītu griešanās virzienu, pēc darbarīka galvas apturēšanas pieskarieties virziena maiņas pogai un nospiediet mēlīti. Pēc slēdža mēlītes nospiešanas jaudas indikators sāks mirgot un darbarīka galva griežas pretējā virzienā. Lai ieslēgtu parasto griešanās virzienu, atlaidiet slēdža mēlīti, un gaidiet, līdz darbarīka galva pārstāj griezties.

### PIEZĪME:

- Pretējā virzienā darbarīks darbojas tikai Tsu laika brīdī un pēc tam automātiski pārstāj griezties.
- Pēc darbarīka apstāšanās tas griezīsies parastajā griešanās virzienā, kad to atkal iedarbina.
- Ja virziena maiņas pogai pieskaras, kamēr darbarīka galva joprojām griežas, darbarīks pārstāj darboties un ir gatavs griezties pretējā virzienā.

## Neilona griezējgalva (papildpiederums)

### PIEZĪME:

- Padeve ar uzsišanu nedarbosies pareizi, ja galva negriežas.

#### ► Att.11: 1. Visefektīvākā griešanas zona

Neilona griezējgalva ir dubultas auklas zāles trimera galva ar uzsišanas mehānismu.

Lai pagarinātu neilona auklu, griezējgalva ir jāatsit pret zemi, kamēr tā griežas.

**PIEZĪME:** Ja neilona aukla nepagarinās pēc uzsišanas, atīniet/nomainiet neilona auklu, ievērojot sadaļā „Tehniskā apkope” norādītās procedūras.

## MONTĀŽA

### ▲BRĪDINĀJUMS:

- Vienmēr pirms darbarīka regulēšanas pārbaudiet, vai instruments ir izslēgts un akumulatora kasetne ir izņemta. Ja darbarīku neizslēdz un neizņem akumulatora kasetni, tam nejauši ieslēdzoties, var izraisīt nopietnus ievainojumus.
- Neiedarbiniet darbarīku, ja tas nav pilnībā samontēts. Daļēji samontēta darbarīka nejauša iedarbināšana var izraisīt nopietnus ievainojumus.

## Roktura uzstādīšana

#### ► Att.12: 1. Spals 2. Seššķautņu bultskrūve 3. Aizsargs 4. Skava 5. Cilpa

Pie caurules ar divām sešstūra bultskrūvēm piestipriniet un pieskrūvējiet rokturi. Rokturim jāatrodas tālāk nekā cilpa.

## Aizsarga uzstādīšana

### ▲BRĪDINĀJUMS:

- Neizmantojiet darbarīku, ja savā vietā neatrodas attēlotais aizsargs. To neievērojot, var gūt nopietnus ievainojumus.

### ▲UZMANĪBU:

- Uzmanieties, lai neievainotu sevi ar griezējgalvu, kas paredzēta neilona auklas griešanai.

► **Att.13:** 1. Grieznis 2. Skava 3. Bultskrūvē

► **Att.14:** 1. Grieznis 2. Skava 3. Bultskrūvē

(Aizsarga forma dažādās valstīs var atšķirties.)

Novietojiet aizsargu pret caurules skavu. Pieskrūvējiet ar bultskrūvēm.

## Neilona griezējgalvas vai plastmasas asmens (papildpiederums) uzstādīšana

### ⚠UZMANĪBU:

- Ja ekspluatācijas laikā neilona griezējgalva/ plastmasas asmens nejausi atsitas pret akmeni vai cietu priekšmetu, darbarīks ir jāizslēdz un jāpārbauda, vai tam nav bojājumu. Ja neilona griezējgalva/ plastmasas asmens ir bojāts, tas nekavējoties jānomaina. Bojāta griezējinstrumenta izmantošana var izraisīt smagus ievainojumus.

### PIEZĪME:

- Izmantojiet oriģinālu Makita neilona griezējgalvu/ plastmasas asmeni.

Apgrieziet darbarīku otrādi, lai varētu vieglāk nomainīt neilona griezējgalvu.

► **Att.15:** 1. Neilona griezējgalva 2. Metāla aizsargs 3. Uztverošā starplika 4. Sešstūra atslēga

► **Att.16:** 1. Plastmasas asmens 2. Uzgrieznis 3. Metāla aizsargs 4. Uztverošā starplika 5. Sešstūra atslēga

Sešstūra atslēgu ievietojiet atverē motora korpusā un pagrieziet uztverošo starpliku, līdz sešstūra atslēga to nokļūst. Uzskrūvējiet neilona griezējgalvu/ plastmasas asmeni tieši uz vārpstas ar vītņi un to pieskrūvējiet, griežot pulksteņrādītāja virzienā. Izņemiet sešstūra atslēgu. Lai noņemtu neilona griezējgalvu/ plastmasas asmeni, to grieziet pretēji pulksteņrādītāja virzienam, vienlaicīgi turot uztverošo starpliku ar sešstūra atslēgu.

## Sešstūra atslēgas uzglabāšana

► **Att.17:** 1. Sešstūra atslēga

Kad sešstūra atslēga netiek lietota, glabājiet to, kā parādīts zīmējumā, lai to nepazaudētu.

## EKSPLUATĀCIJA

### Darbarīka pareiza izmantošana

### Pareiza stāja

#### ⚠BRĪDINĀJUMS:

- Vienmēr novietojiet darbarīku labajā pusē. Darbarīka pareizs novietojums nodrošina maksimālu kontroli un samazina smagu ievainojumu risku, ko izraisa atsitieni.
- Šādā situācijā vienmēr esiet īpaši uzmanīgi, lai saglabātu darbarīka kontroli. Neļaujiet darbarīkam mainīt virzienu uz jūsu pusi vai pret citām personām darba vietas tuvumā. Ja nesaglabā darbarīka kontroli, iespējams izraisīt nopietnas traumas tuvumā esošām personām un lietotājam.

► **Att.18**

## Plecu sikсна

### Papildu piederumi

### Plecu siksnu piestiprināšana

► **Att.19:** 1. Sprādze 2. Āķis

Uzvelciet plecu siksnu. Pēc tam savienojiet sprādzi, kas atrodas uz āķa un uz siksnas. Pārļieciniet, vai sprādzi noklikšķ un pilnībā nofiksējas savā vietā.

### Atvienošana

► **Att.20:** 1. Sprādze

Sprādzi var ātri attaisīt, vienkārši saspiežot abas puses un sprādzi, atbrīvojot darbarīku.

### Cilpas stāvokļa un pleca siksnas noregulēšana

► **Att.21:** 1. Seššķautņņu bultskrūvē

Lai mainītu cilpas stāvokli, ar komplektā esošo uzgriežņatslēgu atskrūvējiet seššķautņņu skrūvi, kas atrodas uz cilpas. Pēc tam pavirziet cilpu. Pēc cilpas stāvokļa noregulēšanas ar uzgriežņatslēgu cieši pieskrūvējiet seššķautņņu skrūvi.

## APKOPE

### ⚠BRĪDINĀJUMS:

- Vienmēr pirms darbarīka pārbaudes vai apkopes pārbaudiet, vai instruments ir izslēgts un akumulatora kasetne ir izņemta. Ja darbarīku neizslēdz un neizņem akumulatora kasetni, tam nejausi ieslēdzoties, var izraisīt nopietnus ievainojumus.

### PIEZĪME:

Nekad neizmantojiet gazoliņu, benzīnu, atšķaidītajū, spirtu vai līdzīgus šķidrumus. Tas var radīt izbalēšanu, deformāciju vai plaisas.

### Neilona auklas nomaīņa

#### ⚠BRĪDINĀJUMS:

- Nekad neizmantojiet metāla stiepli, virvi u. c. Izmantojiet tikai ieteikto neilona auklu, citādi var radīt bojājumus darbarīkam vai izraisīt smagus ievainojumus.
- Pārbaudiet, vai neilona griezējgalvas vāks ir pareizi piestiprināts korpusam, kā aprakstīts turpmāk. Ja vāks nav pareizi piestiprināts, neilona griezējgalva var izjukt, radot nopietnus ievainojumus.

► **Att.22**

Noņemiet korpusa vāku, nospiežot divus aizturus, kas atrodas korpusa sānu ieslēgtajā posmā viena otrai pretī.

► **Att.23:** 1. 80 - 100 mm

Sagrieziet neilona auklu 3 m garumā. Salokiet griešanas auklu divās daļās, vienu daļu atstājot par 80-100 mm garāku nekā otru.

► **Att.24**

Aizāķējiet neilona auklas vidu aiz ieroba, kas atrodas spoles centrā starp 2kanāliem, kas paredzēti neilona auklai. Abus galus cieši aptiniet ap spoli virzienā, kas uz galvas atzīmēts kā labās puses virziens ar norādi „RH”.

**► Att.25**

Auklu iztīniet apmēram 100 mm, galus pagaidām aizķēdot aiz ierobežotā spoles sānos.

**► Att.26**

Piestipriniet spoli vākam tā, lai spoles rievās un izciļņi atbilst tādiem pašiem vākam. Pēc tam atāķējiet auklas galus no to pagaidu stāvokļa un auklas caur actiņām izvelciet no vāka.

**► Att.27**

Novietojiet vāka apakšdaļas izciļņus pret actiņu spraugām. Pēc tam cieši piespiediet vāku, lai to nostiprinātu. Pārbaudiet, vai aizturi pilnībā ievirzās aizsargā.

**Asmens nomaīņa pret plastmasas asmeni****► Att.28**

Nomainiet asmeni, ja tas ir nodilis vai salūzis.

Lai saglabātu produkta DROŠU un UZTICAMU darbību, remontdarbus, apkopi un regulēšanu uzticiet veikt tikai Makita pilnvarotam apkopes centram un vienmēr izmantojiet tikai Makita rezerves daļas.

**PROBLĒMU NOVĒRŠANA**

Pirms labošanas vispirms veiciet pārbaudi pats/-i. Ja atklājat problēmu, kas nav izskaidrota rokasgrāmatā, nemēģiniet izjaukt darbarīku. Tā vietā griezieties Makita pilnvarotā servisa centrā un remontam vienmēr izmantojiet tikai Makita rezerves daļas.

Nepareiza darbība	Cēlonis	Rīcība
Motors nedarbojas.	Nav uzstādīta akumulatora kasetne.	Uzstādiet akumulatora kasetni.
	Bojāts akumulators (zem sprieguma)	Veiciet uzlādi akumulatoram. Ja uzlāde nepalīdz, nomainiet akumulatoru.
	Piedziņas sistēma nedarbojas pareizi.	Vietējā pilnvarotā servisa centrā lūdziet salabot.
Motors pārtrauc darboties pēc neilga lietošanas laika.	Rotācija ir pretēja.	Ar griešanās virziena pārslēdzēju mainiet griešanās virzienu.
	Akumulatora uzlādes līmenis ir zems.	Veiciet uzlādi akumulatoram. Ja uzlāde nepalīdz, nomainiet akumulatoru.
	Pārkaršana.	Pārtrauciet darbarīka izmantošanu, lai jautu tam atdzist.
Nesasniedz maksimālo apgriezumu skaitu minūtē.	Akumulators ir uzstādīts nepareizi.	Uzstādiet akumulatora kasetni, kā aprakstīts šajā rokasgrāmatā.
	Akumulatora jauda samazinās.	Veiciet uzlādi akumulatoram. Ja uzlāde nepalīdz, nomainiet akumulatoru.
	Piedziņas sistēma nedarbojas pareizi.	Vietējā pilnvarotā servisa centrā lūdziet salabot.
Griezējinstrumenta negriežas: nekavējoties apturiet ierīci!	Starp aizsargu un neilona griezējgalvu ir iesprūdis kāds priekšmets, piemēram, zars.	Izņemiet priekšmetu.
	Piedziņas sistēma nedarbojas pareizi.	Vietējā pilnvarotā servisa centrā lūdziet salabot.
Neparasta vibrācija: nekavējoties apturiet ierīci!	Saplīsis viens neilona auklas gals.	Uzstādiet neilona griezējgalvu pret zemi, kamēr tā griežas, lai padotu auklu.
	Piedziņas sistēma nedarbojas pareizi.	Vietējā pilnvarotā servisa centrā lūdziet salabot.
Nevar apstādināt griezējinstrumentu un motoru: nekavējoties izņemiet akumulatoru!	Elektrisko vai elektronisko daļu nepareiza darbība.	Izņemiet akumulatoru un vietējā pilnvarotā servisa centrā lūdziet salabot.

# PAPILDU PIEDERUMI

## **▲BRĪDINĀJUMS:**

- **Nepiestipriniet asmeni šim darbarīkam un izmantojiet tikai ieteiktos piederumus vai papildierīces, kas norādīti šajā rokasgrāmatā. Citu piederumu vai papildierīču izmantošana var radīt smagus ievainojumus.**

## **▲UZMANĪBU:**

- Šādi piederumi un rīki tiek ieteikti lietošanai ar šajā pamācībā aprakstīto Makita instrumentu. Jebkādu citu piederumu un rīku izmantošana var radīt traumu briesmas. Piederumu vai rīku izmantojiet tikai tā paredzētajam mērķim.

Ja jums vajadzīga palīdzība vai precīzāka informācija par šiem piederumiem, vērsieties savā tuvākajā Makita apkopes centrā.

- Neilona griezējgalva
- Neilona aukla (griešanas aukla)
- Plastmasas asmens
- Plecu sikсна
- Makita oriģinālais akumulators un lādētājs

## **PIEZĪME:**

- Daži sarakstā norādītie izstrādājumi var būt iekļauti instrumenta komplektācijā kā standarta piederumi. Tie dažādās valstīs var būt atšķirīgi.

## SPECIFIKACIJOS

Modelis	DUR364L			
Rankenos tipas	Kilpinė rankena			
Greitis be apkrovos	5 000 / 6 500 min <sup>-1</sup>			
Bendras ilgis	1 754 mm			
Nailoninės vielos skersmuo	2,0 – 2,4 mm			
Taikytinas pjovimo įrankis	Nailoninė pjovimo galvutė (detalės Nr. 197297-1)	Plastikinis peilis (detalės Nr. 197188-6)	Nailoninė pjovimo galvutė (detalės Nr. 197297-1)	Plastikinis peilis (detalės Nr. 197188-6)
Pjovimo peilio skersmuo	350 mm	255 mm	350 mm	255 mm
Nominali įtampa	Nuol. sr. 36 V			
Neto svoris	4,0 kg	3,9 kg	4,5 kg	4,4 kg
Standartinė akumulatoriaus kasetė	BL1815N / BL1820 / BL1820B		BL1830 / BL1830B / BL1840 / BL1840B / BL1850 / BL1850B / BL1860B	

- Atliekame nepertraukiamus tyrimus ir nuolatos tobuliname savo gaminius, todėl čia pateikiamos specifikacijos gali būti keičiamos be įspėjimo.
- Specifikacijos ir akumuliatorių kasetės įvairiose šalyse gali skirtis.
- Svoris su akumulatoriaus kasete pagal Europos elektrinių įrankių asociacijos metodiką „EPTA-Procedure 01/2003“

Triukšmas	Vidutinis garso slėgio lygis	Vidutinis garso galios lygis		Taikomas standartas
	L <sub>PA</sub> (dB (A))	L <sub>WA</sub> (dB (A))	Paklaida K (dB (A))	
Nailoninė pjovimo galvutė	81	89	0,3	2000/14/EC
Plastikinis peilis	83	92	0,3	

Vibracija	Kairysis		Dešinioji ranka		Taikomas standartas
	a <sub>h,w</sub> (m/s <sup>2</sup> )	Paklaida K (m/s <sup>2</sup> )	a <sub>h,w</sub> (m/s <sup>2</sup> )	Paklaida K (m/s <sup>2</sup> )	
Nailoninė pjovimo galvutė	≤ 2,5	1,5	≤ 2,5	1,5	EN50636-2-91
Plastikinis peilis	≤ 2,5	1,5	≤ 2,5	1,5	

**PASTABA:** Paskelbtasis vibracijos emisijos dydis nustatytas pagal standartinį testavimo metodą ir jį galima naudoti vienam įrankiui palyginti su kitu.





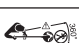
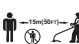




**PASTABA:** Paskelbtasis vibracijos emisijos dydis taip pat gali būti naudojamas preliminariai įvertinti vibracijos poveikį.

**ĮSPĖJIMAS:** Faktiškai naudojant elektrinį įrankį, keliamos vibracijos dydis gali skirtis nuo paskelbtojo dydžio, priklausomai nuo būdų, kuriais yra naudojamas šis įrankis.

**ĮSPĖJIMAS:** Siekiant apsaugoti operatorių, būtina įvertinkite saugos priemones, remdamiesi vibracijos poveikio įvertinimu esant faktinėms naudojimo sąlygoms (atsižvelgdami į visas darbo ciklo dalis, pavyzdžiui, ne tik kiek laiko įrankis veikia, bet ir kiek kartų jis yra išjungiamas bei kai jis veikia be apkrovų).

## Simboliai

Žemiau yra nurodyti įrangai naudojami simboliai. Prieš naudodami įsitinkinkite, kad suprantate jų reikšmę.

	Būkite itin atsargūs ir dėmesingi.
	Perskaitykite naudojimo instrukciją.
	Pavojus: saugokitės svaidomų objektų.
	Tarp įrankio ir šalia esančių žmonių turi būti bent 15 m atstumas.
	Žmonės turėtų būti saugiu atstumu.
	Išlaikykite bent 15 m atstumą.
	Dėvėkite šalimą, apsauginius akinius ir ausų apsaugas.
	Mūvėkite apsaugines pirštines.
	Mūvėkite tvirtus batus neslidžiais padais. Rekomenduojama mėvėti batus su plieno apsaugomis kojų pirštams.
	Saugokite įrankį nuo lietaus.



Maksimalus leistinas įrankio greitis.



Niekada nenaudokite metalinių peilių.



Tiktai ES valstybėms  
Neišmeskite elektros įrangos arba akumuliatoriaus bloko į buitinius šiukšlynus!  
Atsižvelgiant į ES direktyvas dėl elektros ir elektroninės įrangos atliekų ir dėl baterijų ir akumuliatorių bei baterijų ir akumuliatorių atliekų ir šių direktyvų siekių įgyvendinimą pagal nacionalinius įstatymus, elektros įrangos ir baterijų bei akumuliatorių atliekas būtina surinkti atskirai nuo kitų buitinių atliekų ir atiduoti antrinių žaliavų perdirbimo aplinkai nekenksmingu būdu punkta.

## Tik Europos šalims

### ES atitikties deklaracija

**Bendrovė „Makita“ atsakingai pareiškia, kad šis įrenginys (-iai):**

Mechanizmo paskirtis:  
Belaidė žoliapjovė  
Modelio Nr./ tipas: DUR364L  
Techninės sąlygos: žr. Lentelę „SPECIFIKACIJOS“.

**Atitinka šias Europos direktyvas:**

2000/14/EB, 2006/42/EB

Yra pagaminti pagal šį standartą arba normatyvinius dokumentus:

EN60335, EN/ISO11806, EN50636

Techninį dokumentą pagal 2006/42/EB galima gauti iš:

Makita, Jan-Baptist Vinkstraat 2, 3070, Belgium (Belgija)

Atitikties įvertinimo procedūra, būtina pagal Direktyvą 2000/14/EB, atlikta atsižvelgiant į priedą V.

**Su plastikiniais peiliu**

Nustatytas garso galios lygis 92 dB (A)  
Garantuotas garso galios lygis 92 dB (A)

Atitikties įvertinimo procedūra, būtina pagal Tarybos Direktyvą 2000/14/EB, atlikta atsižvelgiant į priedą VI.

Paskelbtoji įstaiga:

TÜV Rheinland LGA Products GmbH  
Tillystraße 2  
90431 Nürnberg, Germany (Vokietija)  
Identifikacijos numeris 0197

**Su nailonine pjovimo galvute**

Nustatytas garso galios lygis 89 dB (A)  
Garantuotas garso galios lygis 90 dB (A)

1.10.2015

Yasushi Fukaya  
Direktorius

Makita, Jan-Baptist Vinkstraat 2, 3070, Belgium  
(Belgija)

## SVARBIOS SAUGOS INSTRUKCIJOS

**ĮSPĖJIMAS!** Perskaitykite visus saugos įspėjimus ir visą instrukciją. Nesilaikant visų toliau pateiktų nurodymų, galima patirti elektros smūgį, sukelti gaisrą ir (arba) sunkiai susižeisti.

### Išsaugokite visus įspėjimus ir instrukcijas, kad galėtumėte jas peržiūrėti ateityje.

1. Nuodugnai susipažinkite su valdikliais ir kaip tinkamai naudoti šį įrenginį.
2. Išjungus variklį, pjovimo dalys dar kurį laiką sukasi.
3. Nekuomet neleiskite šio įrenginio naudoti vaikams arba su šia instrukcija nesuspajūzinusiems žmonėms.
4. Nebenaudokite šio prietaiso, jei netoliese yra žmonių, ypač vaikų ar naminių gyvūnų.
5. Įrenginį naudokite tik dienos šviesoje arba esant geram dirbtinam apšvietimui.
6. Prieš pradėdami naudoti šį įrenginį ir jam atsitrenkus į kokį nors daiktą, patikrinkite, ar nėra jo nusidėvėjimo arba pažeidimo požymių ir, jeigu reikia, pataisykite.
7. Būkite atsargūs, kad nesusižeistumėte jokių įtaisų, skirtu vielos ilgiui sutrumpinti. Pailginę naują pjoviklio vielą, visada sugrąžinkite įrenginį į jo įprastą darbo padėtį, tik tuomet jį įjunkite.
8. Niekada nemontuokite metalinių pjovimo dalių.
9. Vaikams ir asmenims, nesugebantiems saugiai naudotis prietaisu dėl savo psichinio, jutiminio arba protinio neįgalumo arba patirties bei žinių trūkumo, negalima naudotis šiuo prietaisu be už šių asmenų saugumą atsakingų asmenų priežiūros ir nurodymų. Prižiūrėkite vaikus, kad jie nežaistų su prietaisu.
10. Naudodami šį įrankį, būkite labai atsargūs ir atidūs.
11. Naudokite šį įrankį tik būdami geros fizinės būklės. Visus darbus atlikite ramiai ir atidžiai. Vadovaukitės sveika nuovoka ir prisiminkite, kad operatorius arba vartotojas yra atsakingas už nelaimingus atsitikimus ar žalą, padarytą kitiems žmonėms arba jų turtui.
12. Nenaudokite šio įrankio, jei esate pavargę, jaučiatės sergą arba apsvaigę nuo alkoholio ar narkotikų.
13. Jeigu įrankis ima neįprastai veikti, nedelsdami išjunkite jį.

### Numatytoji įrankio paskirtis

1. Naudokite tinkamą įrankį. Ši belaidė žoliapjovė skirta tik žolei ir neperaugusioms piktžolėms pjauti. Ji nėra skirta jokiems kitiems tikslams, pavyzdžiui, gyvatvorėms karpyti, nes galima susižeisti.



## Asmeninės apsaugos priemonės

### ► Pav.1

### ► Pav.2

1. Renkitės tinkamai. Reikia dėvėti tinkamus darbinius drabužius, t. y., jie turi būti priglundę, bet neaptempti. Nedėvėkite papuošalų ar plačių drabužių, kurie galėtų įspainioti aukštoje žolėje. Dėvėkite apsauginius galvos dangalus, po kuriais galima būtų paslėpti ilgus plaukus.
2. Naudodami šį įrankį, visuomet dėvėkite tvirtus batus neslidžiais padais. Jie apsaugo kojas nuo sužeidimų ir užtikrina tinkamą pusiausvyrą.
3. Dėvėkite apsauginius arba darbo akinius.

## Elektros ir akumulatoriaus sauga

1. Venkite pavojingos aplinkos. Nenaudokite šio įrankio drėgnoje arba šlapioje vietoje; saugokite jį nuo lietaus. Į šį įrankį patekęs vanduo padidina elektros smūgio pavojų.
2. Įkraukite naudodami tik gamintojo nurodytą kroviklį. Vieno tipo akumuliatoriui tinkantis kroviklis, naudojamas kitai akumulatoriaus kasetei krauti, gali kelti gaisro pavojų.
3. Elektrinius įrankius naudokite tik su specialiai jiems skirtais akumuliatoriais. Naudojant kitos rūšies akumuliatorių kasetes, galima susižeisti arba sukelti gaisrą.
4. Kai akumulatorius nėra naudojamas, laikykite jį toliau nuo kitų metalinių daiktų, pavyzdžiui, popieriaus sąvaržėlių, monetų, raktų, vinių, varžtų ir kitų mažų metalinių daiktų, dėl kurių gali kilti trumpasis jungimas tarp kontaktų. Akumuliatorių kontaktų trumpasis jungimas gali būti nudegimų arba gaisro priežastis.
5. Netinkamai naudojant, iš akumulatoriaus gali ištekėti skysčio; venkite sąlyčio su juo. Jei sąlytis atsitiktinai įvyko, gausiai nuplaukite vandeniu. Jeigu skysčio patektų į akis, kreipkitės pagalbos į medikus. Iš akumulatoriaus ištekėjęs skystis gali sudirginti arba nudeginti odą.
6. Nemeskite akumulatoriaus(-ių) į ugnį. Akumulatoriaus elementas gali sprogti. Pasitikrinkite, ar vietiniai įstatymai neaprašo specialaus išmetimo būdo.
7. Neatidarykite ir neardykite akumulatoriaus(-ių). Ištekėjęs elektrolitas yra edancioji medžiaga, kuri gali pažeisti akis ar odą. Nuryta, ji gali apnuodyti.

## Įrankio paleidimas

### ► Pav.3

1. Įsitinkinkite, kad vaikai ar kiti žmonės būtų bent per 15 metrų (50 pėdų) nuo darbo vietos, taip pat atkreipkite dėmesį, ar netoliese nėra kokių nors gyvūnų. Kitaip nenaudokite šio įrankio.
2. Prieš pradėdami naudoti šį įrankį, patikrinkite, ar jį saugu naudoti. Patikrinkite pjovimo įrankio saugą ir įsitinkinkite, ar lengvai ir tinkamai veikia apsauginis gaubtas ir svirtinis jungiklis/svirtis. Patikrinkite, ar rankenos yra švarios ir sausos; taip pat patikrinkite, ar tinkamai veikia įjungimo/išjungimo jungiklis.

3. Prieš pradėdami naudoti šį įrankį, patikrinkite, ar nėra sugedusių dalių. Atidžiai apžiūrėkite sugadintą apsauginį gaubtą ar kitą dalį ir nustatykite, ar ji veiks tinkamai ir atliks savo funkciją. Patikrinkite judamųjų dalių sulyginimą, judamųjų dalių suveržimą, ar nėra sulūžusių dalių, ar dalys tinkamai montuotos ir kitas sąlygas, kurios gali paveikti prietaiso veikimą. Sugadintą apsauginį gaubtą ar kitą dalį reikia tinkamai pataisyti arba pakeisti mūsų įgaliotajame techninio aptarnavimo centre, nebent šioje instrukcijoje būtų nurodyta kitaip.
4. Įjunkite variklį tik tuomet, kai rankos ir kojos bus atokiai nuo pjovimo įrankio.
5. Prieš įjungdami šį pjovimo įrankį, įsitinkinkite, kad jis nesiliečia prie jokių kietų objektų, pavyzdžiui, šakų, akmenų ir pan., nes įjungus įrankį gali įvykti atitranka.

## Naudojimo būdas

1. Niekada nenaudokite šio įrenginio, jei apgadinti arba nuimti jo apsauginiai gaubtai.
2. Naudokite šį įrankį tik esant geram apšvietimui ir matomumui. Žiemos metu saugokitės slidžių ar šlapių vietų, ledo ir sniego (pavojus paslysti). Visuomet tvirtai stovėkite ant žemės.
3. Būkite atsargūs, kad nesusižeistumėte pjovimo įrankiu kojų ir rankų.
4. Rankas ir kojas visada laikykite atokiai nuo pjovimo dalių, ypač tada, kai įjungiate variklį.
5. Niekada nepjunkite aukščiau nei jūsų juosmuo.
6. Niekada nenaudokite šio įrankio stovėdami ant kopėčių.
7. Niekada nedirbkite stovėdami ant nestabilių paviršių.
8. Nepersitempkite. Visada stovėkite tvirtai, stenkitės išlaikyti pusiausvyrą.
9. Iš darbo vietos pašalinkite smėlį, akmenis, vėnis ir pan. Pašalinęs dalelės gali sugadinti pjovimo įrankį ir sukelti pavojingą atitranką, dėl kurios galite būti sunkiai sužeisti.
10. Jei pjovimo įrankis atsitrenktų į akmenį ar kokį nors kitą kietą objektą, tuoj pat išjunkite variklį ir apžiūrėkite pjovimo įrankį.
11. Prieš pradėdami pjauti, pjovimo įrankis turi pasiekti maksimalų darbo greitį.
12. Dirbdami, visuomet tvirtai laikykite šį įrankį abejomis rankomis. Naudodami šį įrankį, niekuomet nevaldykite jo viena ranka. Visuomet tvirtai stovėkite ant žemės.
13. Darbo metu privaloma naudoti visus su šiuo įrankiu pateiktus apsauginius įtaisus, pavyzdžiui, apsauginius gaubtus.
14. Niekomet nemeskite šio įrankio ant žemės, išskyrus avarinius atvejus, nes kitaip galite smarkiai jį sugadinti.
15. Niekada netempkite įrankio žeme iš vienos vietos į kitą, nes traukiant įrankį tokiu būdu, jis gali būti sugadintas.
16. Ištraukite iš įrankio akumulatoriaus kasetę:
  - kai paliekate įrankį be priežiūros;
  - prieš pašalindami užstrigusias medžiagas;

- prieš atlikdami šio įrankio patikrą, valymą ir prieš pradėdami darbą;
  - prieš atlikdami bet kokius reguliavimo, priedų keitimo arba paruošimo sandėliavimui darbus;
  - kai įrankis pradeda neįprastai vibruoti;
  - kai įrankį gabenate;
17. Nėra suokite šio įrankio. Naudodami jį numatytu pajėgumu, darbą atlikite geriau ir saugiau – sumažės tikimybė susižeisti.

## Techninės priežiūros instrukcija

1. Prieš pradėdami darbą, būtina patikrinti šio įrankio apsauginių įtaisų ir perpečių diržo būklę.
2. Prieš atlikdami techninės priežiūros darbus, keisdami arba valydami įrankio, išjunkite variklį ir išimkite akumuliatoriaus kasetę.
3. Pabaigę darbą, ištraukite iš įrankio akumuliatoriaus kasetę ir patikrinkite, ar ji nepažeista.
4. Patikrinkite, ar neatsilaisvino tvirtinimo dalys ir ar nepažeistos dalys, pavyzdžiui, ar pjovimo įrankyje nėra didelių įtrūkimų.
5. Nenaudojama prietaisą laikykite sausoje, rakinamoje patalpoje arba aukštai padėta, kad jo nepasiektų vaikai.
6. Naudokite tik gamintojo rekomenduojamas keičiamąsias dalis ir priedus.
7. Ventilacijos angos turi būti švarios: nedulkėtos ir nepurvinos.
8. Reguliariai valykite įrankį, ypač prieš/po naudojimo. Šis įrankis privalo būti remontuojamas tik mūsų įgaliotajame techninio aptarnavimo centre.
9. Rankenas laikykite sausas, švarias, nesuteptas tepalu.

## SAUGOKITE ŠIAS INSTRUKCIJAS.

**⚠️ PERSPĖJIMAS: NELEISKITE, kad patogumas ir gaminio pažinimas (įgyjamas pakartotinai naudojant) susilpnintų griežtą saugos taisyklių, taikytinų šiam gaminiui, laikymąsi. Dėl NETINKAMO NAUDOJIMO arba saugos taisyklių nesilaikymo, kurios pateiktos šioje instrukcijoje galima rimtai susižeisti.**

### Svarbios saugos instrukcijos, taikomos akumuliatoriaus kasetei

1. Prieš naudodami akumuliatoriaus kasetę, perskaitykite visas instrukcijas ir perspėjimus ant (1) akumuliatorių įkroviklio, (2) akumuliatorių ir (3) akumuliatorių naudojančio gaminio.
2. Neardykite akumuliatoriaus kasetės.
3. Jei įrankio darbo laikas žymiai sutrumpėjo, nedelsdami nutraukite darbą su įrankiu. Tai gali kelti perkaitimo, nudegimų ar net sprogdimo pavojų.

4. Jei elektrolitas pateko į akis, plaukite jas tyru vandeniu ir nedelsdami kreipkitės į gydytoją. Gali kilti regėjimo praradimo pavojus.
  5. Neužtrumpinkite akumuliatoriaus kasetės:
    - (1) Nelineskite kontaktų degiomis medžiagomis.
    - (2) Venkite laikyti akumuliatoriaus kasetę kartu su kitais metaliniais daiktais, pavyzdžiui, vinimis, monetomis ir pan.
    - (3) Saugokite akumuliatoriaus kasetę nuo vandens ir lietaus.
- Trumpasis jungimas akumuliatoriuje gali sukelti stiprią srovę, perkaitimą, galimus nudegimus ar net akumuliatoriaus gedimą.
6. Nelaikykite įrankio ir akumuliatoriaus kasetės vietose, kur temperatūra gali pasiekti ar viršyti 50 °C.
  7. Nedeginkite akumuliatoriaus kasetės, net jei yra stipriai pažeista ar visiškai susidėvėjusi. Ugnyje akumuliatoriaus kasetė gali sprogti.
  8. Saugokite akumuliatorių nuo kritimo ir smūgių.
  9. Nenaudokite pažeisto akumuliatoriaus.
  10. Įdėtomis ličio jonų akumuliatoriams taikomi Pavojaingų prekių teisės akto reikalavimai. Komercinis transportas, pvz., trečiųjų šalių, prekių vežimo atstovų, turi laikytis specialaus reikalavimo ant pakuotės ir ženklinių.
- Norėdami paruošti siųstiną prekę, pasitarkite su pavojingų medžiagų specialistu. Be to, laikykitės galimai išsamesnių nacionalinių reglamentų. Užklijuokite juosta arba padenkite atvirus kontaktus ir supakuokite akumuliatorių taip, kad ji pakuotėje nejudėtų.
11. Vadovaukitės vietos įstatymais dėl akumuliatorių išmetimo.

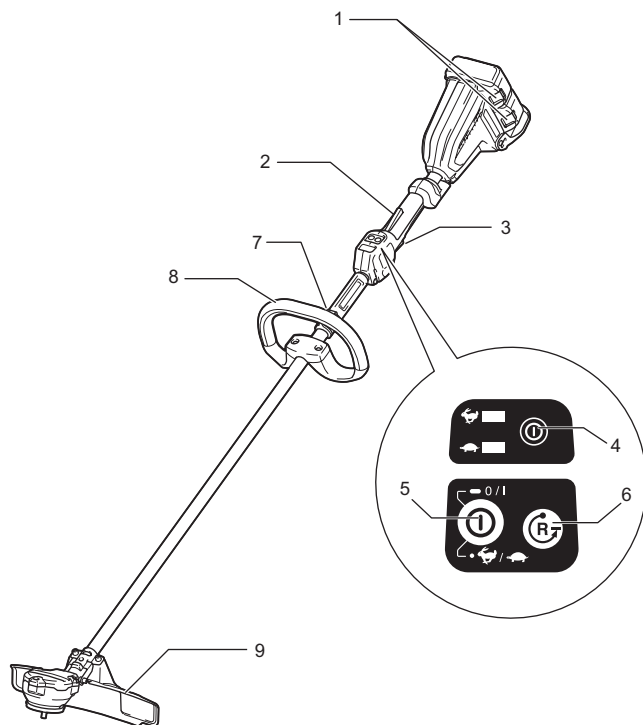
## SAUGOKITE ŠIAS INSTRUKCIJAS.

**⚠️ PERSPĖJIMAS:** Naudokite tik originalų „Makita“ akumuliatorių. Neoriginalaus „Makita“ arba pakeisto akumuliatoriaus naudojimas gali nulemti gaisrą, asmens sužalojimą ir pažeidimą. Tai taip pat panaikina „Makita“ suteikiamą „Makita“ įrankio ir įkroviklio garantiją.

## Patarimai, ką daryti, kad akumuliatorius veiktų kuo ilgiau

1. Pakraukite akumuliatoriaus kasetę prieš ją visiškai išsikraunant. Visuomet nustokite naudoti įrankį ir pakraukite akumuliatoriaus kasetę, kai pastebite, kad įrankio galia sumažėjo.
2. Niekada nekraukite iki galo įkrautas akumuliatoriaus kasetes. Perkraunant trumpėja akumuliatoriaus eksploatacijos laikas.
3. Akumuliatoriaus kasetę kraukite esant kambario temperatūrai 10 - 40 °C. Prieš pradėdami krauti, leiskite įkautusiai akumuliatoriaus kasetei atvėsti.
4. Įkraukite akumuliatoriaus kasetę, jei jos nenaudojate ilgą laiką (ilgiau nei šešis mėnesius).

# DALIŲ APRAŠYMAS



1	Akumulatoriaus kasetė	2	Atlaisvinimo svirtelė
3	Jungiklio spraktukas	4	Maitinimo kontrolinė lemputė
5	Pagrindinis įjungimo mygtukas	6	Atbulinės eigos mygtukas
7	Pakaba	8	Rankena
9	Apsauginis įrenginys (plovimo įrankio apsauginis gaubtas)		

# VEIKIMO APRAŠYMAS

## ⚠️ ĮSPĖJIMAS:

- Prieš pradėdami reguliuoti arba tikrinti įrankio veikimą, visuomet būtinai išjunkite įrankį ir išimkite akumuliatoriaus kasetę. Neišjungus įrankio ir neištraukus akumuliatoriaus kasetės, galima sunkiai susižeisti dėl atsitiktinio įrankio įjungimo.

## Akumuliatoriaus kasetės uždėjimas ir nuėmimas

- **Pav.4:** 1. Raudonas indikatorius 2. Mygtukas 3. Akumuliatoriaus kasetė

## ⚠️ PERSPĖJIMAS:

- Prieš įdėdami arba išimdami akumuliatoriaus kasetę, visada išjunkite įrankį.
- Įdėdami arba išimdami akumuliatoriaus kasetę, tvirtai laikykite įrankį ir akumuliatoriaus kasetę. Jeigu įrankį ir akumuliatoriaus kasetę laikysite netvirtai, jie gali išskysti iš jūsų rankų ir sąlygoti įrankio bei akumuliatoriaus kasetės gedimą ir vartotojo sužalojimą.

Jei norite išimti akumuliatoriaus kasetę, ištraukite ją iš įrankio, stumdami mygtuką, esantį kasetės priekyje. Jeigu norite įdėti akumuliatoriaus kasetę, sutalpindami liežuvelį ant akumuliatoriaus kasetės su grioveliu korpuse ir įstumkite į skirtą vietą. Įdėkite iki galo, kol spragtelėdama užsifiksuos. Jeigu matote raudoną indikatorius viršutinėje mygtuko pusėje, ji nėra visiškai užfiksuota.

## ⚠️ PERSPĖJIMAS:

- Akumuliatoriaus kasetę visada įkiškite iki galo, kol nebeamatysite raudono indikatoriaus. Priešingu atveju ji gali atsitiktinai iškristi iš įrankio, sužeisti jus ar aplinkinius.
- Nekiškite akumuliatoriaus kasetės jėga. Jeigu kasetė sunkiai lenda, ji kišama netinkamai.

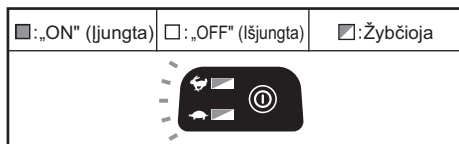
## PASTABA:

- Įrankis neveikia tik su viena akumuliatoriaus kasete.

## Įrankio / akumuliatoriaus apsaugos sistema

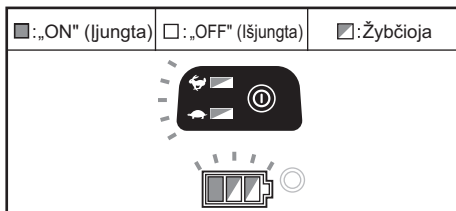
Įrankyje įrengta įrankio / akumuliatoriaus apsaugos sistema. Ši sistema automatiškai atjungia variklio maitinimą, kad įrankis ir akumuliatorius ilgiau tarnautų. Įrankis automatiškai išsijungs darbo metu esant vienai iš toliau nurodytų įrankio arba akumuliatoriaus darbo sąlygų. Esant tam tikroms sąlygoms užsidega indikatoriai.

## Apsauga nuo perkrovos



Jeigu įrankis yra perkrautas dėl apsvijusių piktžolių arba panašiai daiktų, įrankis automatiškai išsijungia ir žybčioja indikatoriai. Tokiu atveju išjunkite įrankį ir nutraukite darbą, dėl kurio kilo įrankio perkrova. Po to įjunkite įrankį ir vėl tęskite darbą.

## Įrankio apsauga nuo perkaitimo



Įrankiui perkaitus, jis automatiškai išsijungia ir maždaug 60 sekundžių žybčioja indikatorius ir akumuliatoriaus indikatorius. Tokiu atveju palaukite, kol įrankis atvės, paskui vėl įjunkite įrankį.

## Apsauga nuo visiško išsikrovimo

Ženkliai sumažėjus akumuliatoriaus galiai, įrankis automatiškai išsijungia. Jeigu gaminys neveikia net ir spaudžiant jungiklius, išimkite akumuliatorių iš įrankio ir įkraukite jį.

## Likusios akumuliatoriaus galios rodymas

(Tik toms akumuliatorių kasetėms, kurių modelio numerio gale yra raidė „B“.)

- **Pav.5:** 1. Kontrolinės lemputės 2. Tikrinimo mygtukas „CHECK“

Paspauskite ant akumuliatoriaus kasetės esantį tikrinimo mygtuką, kad būtų rodoma likusi akumuliatoriaus energija. Kelias sekundes šviečia kontrolinės lemputės.

Kontrolinės lemputės			Likusi energija
Šviečia	„OFF“ (Išjungta)	Žybčioja	
■ ■ ■ ■	□	□	75 - 100 %
■ ■ ■ □	□	□	50 - 75 %
■ ■ □ □	□	□	25 - 50 %
■ □ □ □	□	□	0 - 25 %
■ □ □ □	□	□	Įkraukite akumuliatorių.
■ □ □ □	□	□	
□ □ ■ ■	□	□	Gali būti įvykęs akumuliatoriaus gedimas.

## PASTABA:

- Rodmuo gali šiek tiek skirtis nuo faktinės energijos lygio - tai priklauso nuo naudojimo sąlygų ir aplinkos temperatūros.





## Likusios akumuliatorių galios indikatorius

(Atsižvelgiant į šalį)

- **Pav.6:** 1. Akumuliatoriaus indikatorius 2. Tikrinimo mygtukas „CHECK“

Paspauskite tikrinimo mygtuką, kad akumuliatorių indikatoriai parodytų likusias akumuliatorių galios vertes. Akumuliatorių indikatoriai parodo atitinkamo akumuliatoriaus galią.

## Likusias akumuliatorių galios indikatorius

Akumuliatoriaus indikatorius būseną ON <sup>+</sup> OFF <sup>-</sup> : (jungta) : (išjungta) : Žybočia	Likusias akumuliatoriaus galia
	50 % - 100 %
	20 % - 50 %
	0 % - 20 %
	Maitinimo elemento įkrovimas

## Maitinimo jungiklio veikimas

### ⚠️ ĮSPĖJIMAS:

- **Prieš montuodami akumuliatoriaus kasetę įrankyje, visuomet patikrinkite, ar gaidukas tinkamai veikia ir atleistas grįžta į išjungimo padėtį „OFF“.** Naudojant įrankį, kurio gaidukas netinkamai veikia, galima prarasti kontrolę ir sunkiai susižaloti.

#### ► Pav.7: 1. Pagrindinis įjungimo mygtukas

Norėdami įjungti įrankį, paspauskite pagrindinį įjungimo mygtuką ir palaikykite jį nuspaudę kelias sekundes. Norėdami įrankį išjungti, dar kartą paspauskite pagrindinį įjungimo mygtuką.

#### ► Pav.8: 1. Atlaisvinimo svirtelė 2. Gaidukas

Kad gaidukas nebūtų atsitiktinai nuspaustas, yra įrengta atlaisvinimo svirtis.


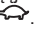

Norėdami įjungti įrankį, suspauskite ranka galinę rankeną (suspaudus atleidžiama atlaisvinimo svirtis), tada patraukite gaiduką. Norėdami įrankį išjungti, atleiskite gaiduką.

### PASTABA:

- Jeigu įrankiu vieną minutę neatliksite jokių veiksmų, įrankis automatiškai išsijungs.

## Greičio reguliavimas

#### ► Pav.9: 1. Pagrindinis įjungimo mygtukas

Įrankio greitį galima reguliuoti spaudant pagrindinį įjungimo mygtuką. Kiekvieną kartą spustelėjus pagrindinį įjungimo mygtuką, užsidega indikatorius  arba  parodo maksimalų greitį, o  – mažą greitį.

## Atbulinės eigos mygtukas šiukšlėms šalinti

### ⚠️ ĮSPĖJIMAS:

- Išjunkite įrankį ir išimkite akumuliatoriaus kasetę, prieš pradėdami šalinti piktžoles arba nuopjovas, kurių naudojant atbulinės eigos funkciją pašalinti nepavyko. Neišjungus ir neišėmus akumuliatoriaus kasetės, netyčia įjungus įrankį, galima sunkiai susižeisti.

#### ► Pav.10: 1. Atbulinės eigos mygtukas

Šis įrankis turi atbulinės eigos mygtuką sukimosi kryptimi keisti. Jis naudojamas tik aplink įrankį apsisukusioms piktžolėms ir šiukšlėms šalinti.

Norėdami pakeisti sukimosi kryptį, spustelėkite atbulinės eigos mygtuką ir, kai įrankio galvutė nebesisuks, patraukite gaiduką. Patraukus gaiduką, maitinimo kontrolinė lemputė pradės žybočioti ir įrankio galvutė suksis atbuline kryptimi. Norėdami, kad galvutė vėl suktųsi įprasta kryptimi, atleiskite gaiduką ir palaukite, kol įrankio galvutė sustos.

### PASTABA:

- Galvutei sukantis atbuline kryptimi, įrankis tik trumpai paveikia ir automatiškai išsijungia.
- Kai įrankis išsijungia, vėl jį įjungus, jo galvutė vėl sukasi įprasta kryptimi.
- Jeigu atbulinės eigos mygtuką paspausite tada, kai įrankio galvutė vis dar suksis, įrankis sustos ir bus pasirengęs atbulinei sukimosi kryptimi.

## Nailoninė pjovimo galvutė (papildomas priedas)

### PASTABA:

- Tiekimo stuktelint funkcija tinkamai neveiks, jeigu galvutė nesisuks.

#### ► Pav.11: 1. Veiksmingiausia pjovimo vieta

Nailoninė pjovimo galvutė yra dviguba vielinės žoliapjovės galvutė su paleidimo ir tiekimo mechanizmu (paleidžiamu stuktelėjus). Norėdami, kad nailoninė viela būtų tiekama, varikliui veikiant, stuktelėkite pjovimo galvutę į žemę.

**PASTABA:** Jeigu stuktelėjus galvutę nailoninė viela netiekama, atsukite/pakeiskite nailoninę vielą, atlikdami veiksmus, aprašytus skyriuje „Techninė priežiūra“.

## SURINKIMAS

### ⚠️ ĮSPĖJIMAS:

- **Prieš pradėdami bet kokius įrankio taisymo, priežiūros, reguliavimo ar valymo darbus, visuomet būtinai išjunkite įrankį ir išimkite akumuliatoriaus kasetę.** Neišjungus įrankio ir neištraukus akumuliatoriaus kasetės, galima sunkiai susižeisti dėl atsitiktinio įrankio įjungimo.
- **Niekada nepaleiskite įrankio, kol jis nebus visiškai sumontuotas.** Naudojant dalinai sumontuotą įrankį, jis gali netyčia pasileisti ir sunkiai sužeisti.

## Rankenos montavimas

#### ► Pav.12: 1. Rankena 2. Šešiakampis varžtas 3. Dangtelis 4. Veržtuvas 5. Pakaba

Dėkite rankeną ant vamzdžio ir pritvirtinkite ją dviem šešiakampiais varžtais. Įsitinkinkite, ar rankena yra nustatyta toliau nei kablys.

## Apsauginio gaubto montavimas

### ⚠️ ĮSPĖJIMAS:

- **Niekada nenaudokite įrankio, tinkamai neuždėję pavaizduoto apsauginio gaubto.** Antraip galite sunkiai susižeisti.

### ⚠️ PERSPĖJIMAS:

- Būkite atsargūs, kad nesusižeistumėte į pjoviklį, skirtą nailoninei vielai nupjauti.

► **Pav.13:** 1. Pjoviklis 2. Veržtuvas 3. Sraigtas

► **Pav.14:** 1. Pjoviklis 2. Veržtuvas 3. Sraigtas

(Apsauginio gaubto forma įvairiose šalyse gali skirtis.)  
Sutapdinkite ant vamzdžio esantį spaustuką su apsauginiu įtaisu. Tada priveržkite juos dviem šešiakampiais varžtais.

## Nailoninės pjovimo galvutės arba plastikinio peilio (papildomo priedo) montavimas

### ▲ PERSPĖJIMAS:

- Jeigu dirbant nailoninė pjovimo galvutė / plastikinis peilis netyčia atsitrenktų į akmenį arba kitą kietą objektą, išjunkite įrankį ir apžiūrėkite, ar ji (jis) neapgadinta (-as). Jeigu nailoninė pjovimo galvutė / plastikinis peilis būtų apgadinta (-as), tuoj pat ją (jį) pakeiskite. Naudojant apgadintą pjovimo įrankį, galima sunkiai susižaloti.

### PASTABA:

- Būtinai naudokite tik originalią „Makita“ nailoninę pjovimo galvutę / plastikinį peilį.

Apverskite įrankį aukštyn kojomis ir galėsite lengvai pakeisti nailoninę pjovimo galvutę.

► **Pav.15:** 1. Nailoninė pjovimo galvutė 2. Metalinis apsauginis gaubtas 3. Imtuvo poveržlė 4. Šešiabriaunis veržliaraktis

► **Pav.16:** 1. Plastikinis peilis 2. Veržlė 3. Metalinis apsauginis gaubtas 4. Imtuvo poveržlė 5. Šešiabriaunis veržliaraktis

Pro variklio korpuse esančią skylę įkiškite šešiakampį veržliaraktį ir sukite imtuvo poveržlę tol, kol ji bus užfiksuota šešiakampi veržliaraktiui. Sumontuokite nailoninę pjovimo galvutę / plastikinį peilį tiesiai ant sriegiuoto veleno ir priveržkite, sukdami ją (jį) pagal laikrodžio rodyklę. Ištraukite šešiakampį veržliaraktį. Norėdami nuimti nailoninę pjovimo galvutę / plastikinį peilį, laikydami imtuvo poveržlę šešiakampi veržliaraktiui, sukite nailoninę pjovimo galvutę prieš laikrodžio rodyklę.

## Šešiabriaunio veržliaraktio laikymas

► **Pav.17:** 1. Šešiabriaunis veržliaraktis

Nenaudojamą šešiabriaunį veržliaraktį laikykite taip, kaip parodyta paveikslėlyje, kad nepamestumėte.

## NAUDOJIMAS

### Tinkamas įrenginio nešimas

### Tinkama poza

### ▲ PERSPĖJIMAS:

- Įrankį visada laikykite dešinėje pusėje. Tinkamai laikant įrankį, jį galima maksimaliai kontroliuoti ir sumažinti susižeidimo pavojų, kurį sukelia atitranka.
- Tuo metu būkite labai atsargūs, kad suvaldytumėte įrankį. Neleiskite, kad įrankis būtų nukreiptas jūsų arba kito, šalia darbo vietos esančio žmogaus, link. Nesuvaldyžius įrankio, galima sunkiai susižeisti arba sužeisti šalia esančius žmones ir operatorių.

► **Pav.18**

## Perpetinis diržas

### Pasirenkamas priedas

### Perpetinio diržo tvirtinimas

► **Pav.19:** 1. Sagtis 2. Kablys

Užsidėkite perpetinį diržą. Tada prisekite sagtis prie kablyuko ir diržo. Užsegant sagtis, būtinai turi pasigirsti spragtelėjimas, kad jos tinkamai užsifiksuotų.

### Atkabimas

► **Pav.20:** 1. Sagtis

Šia sagtį galima greitai atsegti. Tiesiog suspauskite sagties šonus ir įrankis bus atkabintas.

### Pakabos padėties ir perpetinio diržo reguliavimas

► **Pav.21:** 1. Šešiakampis varžtas

Norėdami pakeisti pakabos padėtį, pateiktuoju veržliaraktiui atlaisvinkite pakabos šešiakampį varžtą. Tada patraukite pakabą. Nustatę pakabos padėtį, tvirtai veržliaraktiui užveržkite šešiakampį varžtą.

## TECHNINĖ PRIEŽIŪRA

### ▲ PERSPĖJIMAS:

- Prieš bandydami atlikti įrankio tikrinimo arba techninės priežiūros darbus, visuomet būtinai išjunkite įrankį ir išimkite akumulatoriaus kasetę. Neišjungus įrankio ir neištraukus akumulatoriaus kasetės, galima sunkiai susižeisti dėl atsitiktinio įrankio įjungimo.

### PASTABA:

Niekada nenaudokite gazolino, benzino, tirpiklio, spirito arba panašių medžiagų. Gali atsirasti išblukimų, deformacijų arba įtrūkimų.

### Nailoninės vielos keitimas

### ▲ PERSPĖJIMAS:

- Niekada nenaudokite metalinės vielos, virvės ar panašios medžiagos. Naudokite tik rekomenduojamą nailoninę vielą, antraip galite sugadinti įrankį ir sunkiai susižaloti.
- Nailoninės pjovimo galvutės apsauginį gaubtą būtinai reikia tinkamai pritvirtinti prie korpuso kaip aprašyta toliau. Tinkamai nepritvirtinus apsauginio gaubto, nailoninė pjovimo galvutė gali nuskristi ir sunkiai sužeisti.

► **Pav.22**

Paspauskite dvi gaubtą fiksuojančius skląščius, esančius skirtingose korpuso pusėse padarytose angose, ir nuimkite korpuso gaubtą.

► **Pav.23:** 1. 80 - 100 mm

Atkirkpke 3 m nailoninės vielos. Sulenkite vielą per pusę, kad vienas galas būtų 80–100 mm ilgesnis už kitą.

► **Pav.24**

Sulenkite naują nailoninę vielą, padarydami kilpą ir užkabinkite ją ant ritės centre, tarp 2 griovelių esančios įrantos, skirtos nailoninei vielai užkabinti.

Tvirtai suvyniokite abu galus ant ritės, vyniodami juos kryptimi, pažymėta ant galvutės, kur dešinį kryptį parodo RH.

### ► Pav.25

Suvyniokite beveik visą vielą, palikdami 100 mm galus, laikinai įkišdami juos abejuose ritės kraštelių pusėse esančiose įrantose.

### ► Pav.26

Uždėkite ritę ant apsauginio gaubto taip, kad ritės grioveliai ir išsikišimai atitiktų korpuso griovelius ir išsikišimus. Dabar atkabinkite vielos galus, kurie buvo laikinai prikabinoti, ir įkiškite vielos galus pro ąsules, kad jie išlįstų pro apsauginį gaubtą.

### ► Pav.27

Sulyginkite išsikišimus apatinėje gaubto dalyje su ąselių angomis. Tuomet tvirtai užspauskite gaubtą ant korpuso, kad jis užsifikuotų. Įsitikinkite, ar skląščiai visiškai įkišti į apsauginį gaubtą.

## Plastikinio peilio keitimas

### ► Pav.28

Pakeiskite peilį, jeigu jis nusidėvėjo arba sulūžo.

Kad gaminyje būtų SAUGUS ir PATIKIMAS, jį taisyti, apžiūrėti ar vykdyti bet kokią kitą priežiūrą ar derinimą turi įgaliotasis kompanijos „Makita“ techninės priežiūros centras; reikia naudoti tik kompanijos „Makita“ pagamintas atsargines dalis.

## GEDIMŲ ŠALINIMAS

Prieš kreipdamiesi dėl remonto darbų, pirmiausia patikrinkite gedimus patys. Jeigu susidursite su problemomis, kurios nėra paaiškintos vartotojo vadove, nemėginkite išmontuoti įrankio. Vietoj to kreipkitės į įgaliotuosius „Makita“ techninio aptarnavimo centrus, kuriuose remontui visuomet naudojamos originalios „Makita“ keičiamosios dalys.

Veikimo sutrikimo būseną	Priežastis	Veiksmas
Variklis neveikia.	Neįdėta akumulatoriaus kasetė.	Įdėkite akumulatoriaus kasetę.
	Akumulatoriaus gedimas (nepakankama įtampa)	Įkraukite akumuliatorių. Jeigu pakartotinis įkrovimas būtų neveiksmingas, pakeiskite akumuliatorių.
	Netinkamai veikia pavarų sistema.	Kreipkitės į vietos įgaliotąjį techninio aptarnavimo centrą, kad pataisytų.
Šiek tiek paveikęs, variklis išsijungia.	Veikia atbulinė sukimosi eiga.	Atbulinės eigos jungikliu pakeiskite sukimosi kryptį.
	Išsikrovęs akumulatorius.	Įkraukite akumuliatorių. Jeigu pakartotinis įkrovimas būtų neveiksmingas, pakeiskite akumuliatorių.
	Variklis perkaista.	Išjunkite įrankį ir palaukite, kol jis atvės.
Nepasiekiamas maksimalios apšukos.	Netinkamai įdėtas akumulatorius.	Įdėkite akumulatoriaus kasetę taip, kaip aprašyta šiame vadove.
	Mažėja akumulatoriaus galia.	Įkraukite akumuliatorių. Jeigu pakartotinis įkrovimas būtų neveiksmingas, pakeiskite akumuliatorių.
	Netinkamai veikia pavarų sistema.	Kreipkitės į vietos įgaliotąjį techninio aptarnavimo centrą, kad pataisytų.
Nesisuka pjovimo įrankis: tuoj pat išjunkite prietaisą!	Tarp apsauginio gaubto ir nailoninės pjovimo galvutės įstrigo koks nors pašalinis objektas, pavyzdžiui, šaka.	Pašalinkite pašalinį objektą.
	Netinkamai veikia pavarų sistema.	Kreipkitės į vietos įgaliotąjį techninio aptarnavimo centrą, kad pataisytų.
Neįprasta vibracija: tuoj pat išjunkite prietaisą!	Nutrūko vienas nailoninės vielos galas.	Naudodami prietaisą, stuktelėkite nailoninę pjovimo galvutę į žemę, kai ji sukasi, kad būtų tiekiamas viela.
	Netinkamai veikia pavarų sistema.	Kreipkitės į vietos įgaliotąjį techninio aptarnavimo centrą, kad pataisytų.
Pjovimo įrankis ir variklis neišsijungia: Tuoj pat išimkite akumuliatorių!	Elektros arba elektronikos gedimas.	Išimkite akumuliatorių ir kreipkitės į vietos įgaliotąjį techninio aptarnavimo centrą, kad pataisytų.

# PASIRENKAMI PRIEDAI

## **⚠️ ĮSPĖJIMAS:**

- **Nemontuokite ant šio įrankio peilio ir naudokite tik rekomenduojamus priedus arba šioje naudojimo instrukcijoje nurodytus papildomus įtaisus.** Naudojant diskus arba bet kokius kitus priedus ar papildomus įtaisus, galima sunkiai susižaloti.

## **⚠️ PERSPĖJIMAS:**

- Su šiame vadove aprašytu įrenginiu „Makita“ rekomenduojama naudoti tik nurodytus priedus ir papildomus įtaisus. Jeigu bus naudojami kitojie priedai ar papildomi įtaisai, gali būti sužaloti žmonės. Priedus arba papildomus įtaisus naudokite tik pagal paskirtį.

Jeigu norite daugiau sužinoti apie tuos priedus, kreipkitės į artimiausią „Makita“ techninės priežiūros centrą.

- Nailoninė pjovimo galvutė
- Nailoninė viela (pjovimo viela)
- Plastikinis peilis
- Perpetinis diržas
- Originalus „Makita“ akumulatorius ir kroviklis

## **PASTABA:**

- Kai kurie sąraše esantys priedai gali būti pateikti įrankio pakuotėje kaip standartiniai priedai. Jie įvairiose šalyse gali skirtis.



## TEHNILISED ANDMED

Mudel	DUR364L			
Käepideme tüüp	Aaspide			
Pöörlemissagedus koormuseta	5 000 / 6 500 min <sup>-1</sup>			
Kogupikkus	1 754 mm			
Nailonjõhvi läbimõõt	2,0 – 2,4 mm			
Kasutatav lõikeriist	Nailonist lõikepea (osanumber 197297-1)	Plastist lõiketera (osanumber 197188-6)	Nailonist lõikepea (osanumber 197297-1)	Plastist lõiketera (osanumber 197188-6)
Lõiketera läbimõõt	350 mm	255 mm	350 mm	255 mm
Nimipinge	Alalisvool 36 V			
Netomass	4,0 kg	3,9 kg	4,5 kg	4,4 kg
Standardne akukassett	BL1815N / BL1820 / BL1820B		BL1830 / BL1830B / BL1840 / BL1840B / BL1850 / BL1850B / BL1860B	

- Meie jätkuva teadus- ja arendustegevuse programmi tõttu võidakse siin antud tehnilisi andmeid muuta ilma ette teatamata.
- Spetsifikatsioonid ja aku korpus võivad riigiti erineda.
- Kaal koos aku korpusega vastavalt EPTA-protseduurile 01/2003

Müra	Keskmine helirõhu tase	Keskmine helivõimsuse tase		Kohaldatav standard
	L <sub>PA</sub> (dB (A))	L <sub>WA</sub> (dB (A))	Määramatus K (dB (A))	
Nailonist lõikepea	81	89	0,3	2000/14/EC
Plastist lõiketera	83	92	0,3	

Vibratsioon	Vasak käsi		Parem käsi		Kohaldatav standard
	a <sub>n,w</sub> (m/s <sup>2</sup> )	Määramatus K (m/s <sup>2</sup> )	a <sub>n,w</sub> (m/s <sup>2</sup> )	Määramatus K (m/s <sup>2</sup> )	
Nailonist lõikepea	≤ 2,5	1,5	≤ 2,5	1,5	EN50636-2-91
Plastist lõiketera	≤ 2,5	1,5	≤ 2,5	1,5	

**MÄRKUS:** Deklareeritud vibratsiooniemissiooni väärtus on mõõdetud kooskõlas standardse testimismeetodiga ning seda võib kasutada ühe seadme võrdlemiseks teisega.

**MÄRKUS:** Deklareeritud vibratsiooniemissiooni väärtust võib kasutada ka mürataseme esmaseks hindamiseks.

**⚠ HOIATUS:** Vibratsioonitase võib elektritööriista tegelikkuses kasutamise ajal erineda deklareeritud väärtusest sõltuvalt tööriista kasutamise viisidest.

**⚠ HOIATUS:** Rakendage kindlasti operaatori kaitsmiseks piisavaid ohutusabinõusid, mis põhinevad hinnangulisel müratasemel tegelikus tööolukorras (võttes arvesse tööperioodi kõik osad nagu näiteks korrad, mil seade lülitatakse välja ja mil seade töötab tühikäigul, lisaks tööajale).

## Sümbolid

Järgnevalt kirjeldatakse seadmetel kasutatavaid tingimärke. Veenduge, et olete nende tähendusest aru saanud enne seadme kasutamist.

	Olge äärmiselt ettevaatlik ja tähepanelik!
	Lugege kasutusjuhendit.
	Ohtlik; pidage silmas õhkupaiskuvaid objekte.
	Seadme ja kõrvalseisjate vaheline vahekaugus peab olema vähemalt 15 m.
	Hoidke kõrvalseisjad eemal.
	Hoidke vahemaad vähemalt 15 meetrit.
	Kandke kiivrit, kaitseprille ja kuulmiskaitsmeid.
	Kandke kaitsekindaid.
	Kandke tugevaid libisemiskindla tallaga jalatseid. Soovitatavalt kandke terasest ninakapiga kaitsejalatseid.
	Ärge jätke niiskuse kätte.



Maksimaalne lubatud tööriista kiirus.



Ärge kunagi kasutage metallist lõiketera.



Üksnes ELI liikmesriikidele  
Ärge käidelda kasutuskoõlbmatuks muutunud elektriseadmeid ega akusid koos olmejäätmetega!  
Vastavalt Euroopa Parlamendi ja Nõukogu direktiividele elektri- ja elektroonikaseadmete jäätmete kohta ning patareide ja akude ning patarei- ja akujäätmete kohta ning nende nõuete kohaldamisele liikmesriikides tuleb kasutuskoõlbmatuks muutunud elektriseadmed ja akud koguda eraldi ja keskkonnasäästlikult korduskasutada või ringlusse võtta.

## Ainult Euroopa riigid

## EÜ vastavusdeklaratsioon

### Makita deklareerib, et alljärgnev(ad) masin(ad):

Masina tähistus:  
Akuga murutrimmer  
Mudeli Nr/ Tüüp: DUR364L  
Tehnilised andmed: vt tabel „TEHNILISED ANDMED“.

### Vastavad alljärgnevatele Euroopa Parlamendi ja nõukogu direktiividele:

2000/14/EÜ, 2006/42/EÜ

Need on toodetud vastavalt järgmistele standarditele või standardiseeritud dokumentidele:

EN60335, EN/ISO11806, EN50636

Tehniline fail, mis on kooskõlas direktiiviga 2006/42/EÜ, on saadaval ettevõttes:

Makita, Jan-Baptist Vinkstraat 2, 3070, Belgia

Direktiiviga 2000/14/EÜ nõutud vastavushindamismenetlus oli kooskõlas lisaga V.

### Plastist lõiketeraga

Mõõdetud helivõimsuse tase 92 dB (A)  
Garanteeritud helivõimsuse tase 92 dB (A)

Vastavushindamismenetlus vastavalt direktiivile 2000/14/EÜ oli kooskõlas lisaga VI.

Informeeritud organ:

TÜV Rheinland LGA Products GmbH  
Tillystraße 2  
90431 Nürnberg, Saksamaa  
Teavitatud asutuse number 0197

### Nailonist lõikepeaga

Mõõdetud helivõimsuse tase 89 dB (A)  
Garanteeritud helivõimsuse tase 90 dB (A)

1.10.2015

Yasushi Fukaya  
Direktor

Makita, Jan-Baptist Vinkstraat 2, 3070, Belgia

## TÄHTSAD OHUTUSALASED JUHISED

**⚠️HOIATUS!** Lugege läbi kõik ohutusalsed hoiatused ja juhised. Hoiatuste ja juhiste eiramine võib põhjustada elektrilöögi, tulekahju ja/või tõsiseid vigastusi.

## Hoidke alles kõik hoiatused ja juhised edaspidisteks viideteks.

1. **Õppige põhjalikult tundma seadme juhtimis-seadiseid ja varustuse õiget kasutamist.**
2. **Lõikeseade jätkab pöörlemist ka pärast mootori väljalülitamist.**
3. **Mitte mingil juhul ärge lubage masinat kasutada lastel ega isikutel, kes pole tutvunud kasutusjuhendiga.**
4. **Lõpetage masina kasutamine, kui läheduses viibivad inimesed (eriti lapsed) või lemmikloomad.**
5. **Kasutage masinat ainult päevavalguses või korralikus kunstvalguses.**
6. **Enne masina kasutamist ja pärast iga lööki kontrollige, kas on kulumise või kahjustuste märke ning vajadusel parandage need.**
7. **Hoiduge vigastustest, mis võivad tekkida lõikejõhvi pikkuse reguleerimise seadme. Pärast lõikejõhvi pikendamist pöörake masin alati enne sisselülitamist tavalisse tööasendisse tagasi.**
8. **Ärge kunagi paigaldage metallist lõikeelemente.**
9. **Antud seade ei ole mõeldud kasutamiseks piiratud füüsiliste, aistinguliste või vaimsete võimete isikutele (k.a lapsed) või neile, kel puuduvad piisavad kogemused või teadmised seadme kasutamisest, kui nende ohutuse eest vastutav isik ei ole neid juhendatud seadme kasutamise osas. Jälgige, et lapsed ei kasutaks seadet mängimiseks.**
10. **Tööriista kasutamisel tuleb olla ülimalt ettevaatlik ja tähelepanelik.**
11. **Tööriista kasutavad inimesed peavad olema heas füüsilises vormis. Töötage rahulikult ja ettevaatlikult. Lähutage kainest mõistusest ja pidage meeles, et seadme omanik või kasutaja vastutab teistele isikutele põhjustatud vigastuste või nende varale tekitatud kahjustuste eest.**
12. **Ärge kasutage tööriista, kui olete väsinud, haige või alkoholi või ravimite mõju all.**
13. **Tööriist tuleb välja lülitada kohe, kui käitamisel tekib ebatavalisi ilminguid.**

## Seadme ettenähtud kasutusotstarve

1. **Kasutage õiget tööriista. Akuga murutrimmer on mõeldud ainult rohu ja kerge umbrohu lõikamiseks. Seda ei tohiks kasutada mitte mingil muul eesmärgil (nt heki pügamine), sest see võib põhjustada vigastusi.**

## Isikukaitsevahendid

### ► Joon.1

### ► Joon.2

1. Riietuge sobivalt. Kantav riietus peab vastama töö iseloomule ja olema sobilik, st see peaks järgima kehajooni, kuid ei tohiks takistada töötamist. Ärge kandke ehteid ega riietust, mis võib kõrgesse rohtu takerduda. Kinnitage pikad juuksed ja kandke kaitsvat peakatet.
2. Kandke tööriistaga töötamisel alati tugevaid libisemiskindla tallaga jalatseid. See kaitseb kehavigastuste eest ning tagab kindla jalgealuse.
3. Kandke kaitseprille.

## Elektriohtus ja aku ohutu talitus

1. Vältige ohtlikku töökeskkonda. Ärge kasutage seadet niisketes või märgades kohtades ega jätke seda vihma kätte. Seadmesse sisenenud vesi suurendab elektrilöögi ohtu.
2. Kasutage laadimiseks ainult tootja poolt ettenähtud laadijat. Laadija, mis sobib ühte tüüpi akukassetiga, võib tekitada tulekahjuohtu, kui seda kasutada koos mõnda teist tüüpi akukassetiga.
3. Kasutage elektriseadmeid üksnes spetsiaalselt neile toodetud akukassetidega. Mis tahes muude akukassetide kasutamine võib tekitada kehavigastuse- või tulekahjuohtu.
4. Kui akukassetti ei kasutata, ärge hoidke seda koos muude metalliesemetega, nagu kirjaklambrid, mündid, võtmed, naelad, kruvid jm väiksed metallesemed, mis võivad tekitada ühenduse klemmide vahel. Akuklemmide lühis võib põhjustada põletusi ja tulekahjuohtu.
5. Väärkasutamise tagajärjel võib akust välja valguda vedelikku – ärge seda puudutage. Kui olete selle vedelikuga siiski kogemata kokku puutunud, loputage saastunud kohta veega. Kui vedelik satub silma, pöörduge arsti poole. Akust väljalangunud vedelik võib põhjustada ärritust ja põletusi.
6. Ärge visake kasutatud akut (akusid) tulle. Element võib plahvatada. Kasutatud akude kõrvaldamise võimalikud erinõuded leiate vastavasisulistest kohalikest eeskirjadest.
7. Akut (akusid) ei tohi avada ega vigastada. Väljalangunud elektrolüüt on söövitava toimega ning võib kahjustada silmi ja nahka. See võib osutuda allaneelamisel mürgiseks.

## Tööriista käivitamine

### ► Joon.3

1. Jälgige, et 15-meetrises tööpiirkonnas ei oleks lapsi ega teisi isikuid, jälgige ka tööpiirkonna lähedal olevaid loomi. Vastasel korral lõpetage tööriista kasutamine.
2. Enne kasutamist kontrollige alati, et tööriist oleks töökorras. Kontrollige löikeriista ja kaitsekatte ohutust ning lüliti/hoova sujuvat ja korralikku toimimist. Kontrollige, kas käepidemed on puhtad ja kuivad, ning testige käivitamise/seiskamise funktsioneerimist.

3. Kontrollige enne tööriista kasutamist, et selle osad ei oleks kahjustatud. Kahjustatud kaitsekate või muud osa tuleb hoolikalt kontrollida, et määrata kindlaks, kas see töötab korrektselt ja teostab ettenähtud funktsiooni. Kontrollige liikuvate osade seadistust, liikuvate osade kokkujooksu, purunenud osi, osade paigaldust ja muid tingimusi, mis võivad mõjutada tööriista funktsioneerimist. Kahjustatud kaitsekate või muu seadme osa tuleb nõuetekohaselt parandada või vahetada välja volitatud teeninduskeskuses, kui juhendis muud soovitatud ei ole.
4. Lülitage mootor sisse ainult siis, kui käed ja jalad on löikeriistast eemal.
5. Enne käivitamist veenduge, et löikeriist ei puutu vastu tugevast materjalist esemede (näiteks oksad, kivid jne), sest löikeriist hakkab käivitamisel pöörlema.

## Töömeetod

1. Ärge kasutage kunagi masinat, mille kaitsekate on kahjustatud või millel pole kaitsekate.
2. Kasutage tööriista ainult ega valguse ja nähtavuse korral. Olge eriti tähelepanelik talvel, kui on libe, märg, jääne ja lumine (libisemisoht). Jälgige kogu töötamise vältel, et seisaksite kindlalt.
3. Olge tähelepanelik, et vältida löikeriistaga jalgade või käte vigastamist.
4. Hoidke käed ja jalad alati löikeseadmest eemal, eriti siis, kui mootori sisse lülitate.
5. Ärge lõigake kunagi oma puusakõrgusest kõrgemalt.
6. Ärge kasutage töötavat tööriista redelil seistes.
7. Ärge töötagte ebakindlal pinnasel.
8. Ärge küünitage ette. Seiske kogu aeg kindlas asendis ja säilitage tasakaal.
9. Eemaldage tööpiirkonnast liiv, kivid, naelad jms. Võõrosakesed võivad kahjustada löikeriista ja pörkuda sellelt kasutaja poole, tekitades tõsiselt vigastusi.
10. Kui löikeriist peaks tabama kive või muid kõvasid esemeid, siis lülitage mootor kohe välja ja kontrollige löikeriista.
11. Löikeriist peab enne lõikamise alustamist olema saavutanud täiskiiruse.
12. Kasutamise ajal hoidke tööriista alati kahe käega. Ärge töötagte kunagi tööriistaga, hoides seda vaid ühe käega. Jälgige kogu töötamise vältel, et seisaksite kindlalt.
13. Kõik tööriistaga kaasasolevad kaitseesadised, nt kaitsekatted, peavad töötamise ajal olema paigaldatud.
14. Välja arvatud hädaolukorras, ärge kunagi laske tööriista kukkuda ega visake tööriista maha, sest vastasel juhul võite tööriista tõsiselt kahjustada.
15. Liikumisel ühest kohast teise ärge lohistage tööriist mööda maad, kuna selliselt toimides võite tööriista vigastada.

16. Eemaldage tööriista aku seadmest alati:
  - kui jätate tööriista valveta;
  - enne, kui alustate ummistuse eemaldamist;
  - enne kontrollimist, puhastamist või tööriista parandamist;
  - enne, kui kohandate tööriista, vahetate tarvikuid või viite hoiupaika;
  - kui tööriist hakkab ebatavaliselt vibreerima;
  - tööriista transportimise ajal.
17. Seadmele ei tohi rakendada jõudu. See toimib paremini ning vigastuste põhjustamise tõenäosus on väiksem kiirusel, milleks see on ette nähtud.

## Hooldusjuhised

1. Lõiketera, kaitseseadmete ja rakmete olukorda tuleb kontrollida enne töö alustamist.
2. Lülitage mootor välja ja eemaldage akukassett enne, kui teete hooldustöid, vahetate lõikeriistu või puhastate tööriista.
3. Peale kasutamist, eemaldage tööriista aku seadmest alati.
4. Kontrollige kinnitusvahendite pingust ja seadme osasid (nt lõiketera) kahjustuste suhtes.
5. Kui tööriist pole kasutusel, hoiustage seda kuivas lukustatavas ruumis või lastele kättesaamatus kohas.
6. Kasutage ainult tootja soovitatud varuosi ja tarvikuid.
7. Kandke hoolt, et ventilatsioonivad oleksid alati prahist puhtad.
8. Kontrollige ja hooldage tööriista regulaarselt, eriti enne/peale kasutamist. Laske tööriista parandada ainult volitatud teeninduskeskusel.
9. Hoidke käepidemed kuivad ja puhtad. Need ei tohi olla õlised ja määrased.

## HOIDKE JUHEND ALLES.

**⚠HOIATUS:** ÄRGE laske mugavusel või toote kasutamisharjumustel (mis on saanud korduva kasutuse jooksul) asendada vankumatut toote ohutusekirjade järgimist. VALE KASUTUS või käesoleva kasutusjuhendi ohutusnõuete eiramine võib põhjustada tõsisid vigastusi.

## Akukassetiga seotud olulised ohutusjuhised

1. Enne akukassetti kasutamist lugege (1) akulaadiljal, (2) akul ja (3) seadmel olevad juhtnõidid ja hoiatused läbi.
2. Ärge võtke akukassetti lahti.
3. Kui tööaeg järsult lüheneb, siis lõpetage kohe kasutamine. Edasise kasutamise tulemuseks võib olla ülekuumenemisoht, võimalikud põletused või isegi plahvatus.

4. Kui elektrolüüti satub silma, siis loputage silma puhta veega ja pöörduge koheselt arsti poole. Selline õnnetus võib põhjustada pimedaksjäämist.
5. Ärge tekitage akukassettis lühist:
  - (1) Ärge puutuge klemme elektrijuhtidega.
  - (2) Ärge hoidke akukassetti tööriistakasti koos metallsemetega, nagu naelad, mündid jne.
  - (3) Ärge tehke akukassetti märjaks ega jätke seda vihma kätte.
- Aku lühis võib põhjustada tugevat elektrivoolu, ülekuumenemist, põletusi ning ka seadet tõsiselt kahjustada.
6. Ärge hoidke tööriista ja akukassetti kohtades, kus temperatuur võib tõusta üle 50 °C.
7. Ärge põletage akukassetti isegi siis, kui see on saanud tõsiselt vigastada või on täiesti kuluunud. Akukassett võib tules plahvatada.
8. Olge ettevaatlik, ärge laske akul maha kukkuda ja vältige lööke.
9. Ärge kasutage kahjustatud akut.
10. Sisalduvatele liitium-ioonakudele võivad kohalduda ohtlike kaupade õigusaktide nõuded.
 

Kaubanduslikul transportimisel, näiteks kolmandate poolte või transportiettevõtete poolt, tuleb järgida pakendil ja siltidel toodud erinõudeid. Transportimiseks ettevalmistamisel on vajalik pidada nõu ohtliku materjali ekspordiga. Samuti tuleb järgida võimalike riiklike regulatsioonide üksikasjalikumaid nõudeid.

Katke teibiga või varjake avatud kontaktid ja pakendage aku selliselt, et see ei saaks pakendis liikuda.
11. Järgige kasutuskõlbmatuks muutunud aku käitlemisel kohalikke eeskirju.

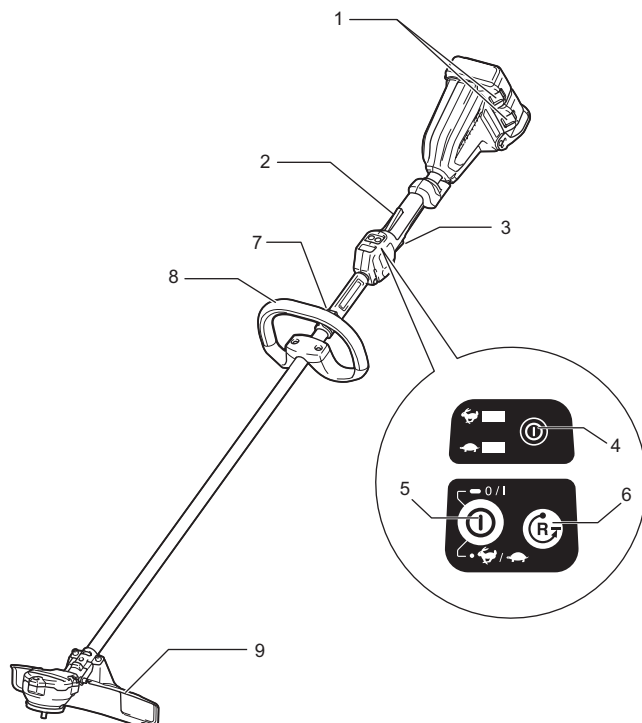
## HOIDKE JUHEND ALLES.

**⚠ETTEVAATUST:** Kasutage ainult Makita originaalakusid. Mitte Makita originaalakude või muudetud akude kasutamine võib põhjustada akude süttimise, kehavigastuse ja kahjustuse. Samuti muudab see kehtetuks Makita tööriista ja laadija Makita garantii.

## Vihjeid aku maksimaalse kasutusaja tagamise kohta

1. Laadige akukassetti enne selle täielikku tühjenemist. Kui märkate, et tööriist töötab väiksema võimsusega, peatage töö ja laadige akukassetti.
2. Ärge laadige täielikult laetud akukassetti. Ülelaadimine lühendab akude kasutusiga.
3. Laadige akukassetti toatemperatuuril 10 °C - 40 °C. Enne laadimist laske kuumenenud akukassetti maha jahtuda.
4. Kui te ei kasuta akukassetti kauem kui kuus kuud, laadige see.

# OSADE KIRJELDUS



1	Akukassett	2	Lahtilukustuse hoob
3	Lüliti päästik	4	Toitelamp
5	Toitenupp	6	Vastassuunanupp
7	Riputi	8	Käepide
9	Kaitsekate (lõikeriista kaitsekate)		

# FUNKSIONAALNE KIRJELDUS

## ⚠️ HOIATUS:

- **Kandke alati hoolt selle eest, et tööriist oleks enne reguleerimist või funktsioonide kontrollimist välja lülitatud ning akukassett eemaldatud.** Kui tööriist ei ole välja lülitatud ja akukassett ei ole eemaldatud, võib tagajärjeks olla ootamatust käitumisest põhjustatud raske vigastus.

## Akukasseti paigaldamine või eemaldamine

▶ **Joon.4:** 1. Punane näidik 2. Nupp 3. Akukassett

## ⚠️ ETTEVAATUST:

- Lülitage tööriist alati enne akukasseti paigaldamist või eemaldamist välja.
- **Hoidke tööriista ja akukassetti kindlalt käes, kui paigaldate või eemaldate akukassetti.** Kui eirata nõuet tööriista ja akukassetti hoidmise kohta, võivad need käest libiseda ja maha kukkudes puruneda ja põhjustada kehavigastusi.

Akukasseti eemaldamiseks libistage see tööriista küljest lahti, vajutades kasseti esiküljel paiknevat nuppu alla.

Akukasseti paigaldamiseks joondage akukasseti keel korpuse soonega ja libistage kassett oma kohale. Paigaldage kassett alati nii kaugele, et see lukustuks klõpsatusega oma kohale. Kui näete nupu ülaosas punast osa, pole kassett täielikult lukustunud.

## ⚠️ ETTEVAATUST:

- Paigaldage akukassett alati täies ulatuses nii, et punast osa ei jääks näha. Vastasel korral võib kassett tööriistast välja kukkuda ning vigastada Teid või läheduses viibivaid isikuid.
- Ärge rakendage jõudu akukasseti paigaldamisel. Kui kassett ei lähe kergesti sisse, pole see õigesti paigaldatud.

## MÄRKUS:

- Tööriist ei tööta ainult ühe akukassetiga.

## Tööriista/aku kaitsesüsteem

Tööriist on varustatud tööriista/aku kaitsesüsteemiga. Süsteem lülitab mootori automaatselt välja, et pikendada tööriista ja aku eluiga.

Tööriist seiskub töötamise ajal automaatselt, kui tööriist või aku jäetakse olukorda, mida mõjutab mõni järgmistest tingimustest. Mõnel juhul hakkavad indikaatorid põlema.

## Ülekoormuskaitse

<input checked="" type="checkbox"/> : Sisse lülitatud	<input type="checkbox"/> : Välja lülitatud	<input checked="" type="checkbox"/> : Vilgub

Kui tööriist on üle koormatud selle külge takerdunud umbrohtude või muu prahi tõttu, seiskub tööriist automaatselt ja indikaatorid hakkavad vilkuma. Sellisel juhul lülitage tööriist välja ja katkestage töö, mis põhjustas tööriista ülekoormuse. Pärast seda käivitage tööriist uuesti.

## Tööriista ülekuumenemiskaitse

<input checked="" type="checkbox"/> : Sisse lülitatud	<input type="checkbox"/> : Välja lülitatud	<input checked="" type="checkbox"/> : Vilgub

Kui tööriist on üle kuumenenud, siis seiskub see automaatselt ning ja aku indikaator vilgub umbes 60 sekundit. Sellises olukorras laske tööriistal maha jahtuda enne, kui selle uuesti sisse lülitate.

## Ülelaadimiskaitse

Kui aku laetuse tase muutub madalaks, siis seiskub tööriist automaatselt. Kui seade ei hakka tööle ka lülitite kasutamisel, eemaldage tööriistast akud ja laadige neid.

## Aku jääkmahtuvuse näit

(Ainult akukassetid, mille mudeli numbril lõpus on „B“.)

▶ **Joon.5:** 1. Indikaatori lambid 2. KONTROLLIMISE nupp

Vajutage akukassetil olevat kontrollnuppu, et näidata aku jääkmahtuvust. Märkulambid süttivad mõneks sekundiks.

Indikaatori lambid			Jääkmahtuvus
Põleb	Välja lülitatud	Vilgub	
			75 % kuni 100 %
			50 % kuni 75 %
			25 % kuni 50 %
			0 % kuni 25 %
			Laadige akut.
			Aku võib olla rikkis.

**MÄRKUS:**

- Näidatud mahtuvus võib veidi erineda tegelikust mahtuvusest olenevalt kasutustingimustest ja ümbritseva keskkonna temperatuurist.

**Allesjäänud akulaengu näit**

(Riigispetsiifiline)

► **Joon.6:** 1. Aku indikaator 2. KONTROLLIMISE nupp

Kui vajutate kontrollinuppu, näitavad akuindikaatorid allesjäänud akulaengut. Kummalgi akul on oma akuindikaator.

**Allesjäänud akulaengu näit**

Aku indikaatori olek	Aku jääkmahtuvus
	50 % - 100 %
	20 % - 50 %
	0 % - 20 %
	Laadige akut

**Toitelüliti talitlus****HOIATUS:**

- Kontrollige alati enne akukasseti paigaldamist tööriista sisse, kas lüliti päästik funktsioneerib nõuetekohaselt ja liigub lahtilaskmisel tagasi väljalülitatud (OFF) asendisse. Tööriista käitamine lülitiga, mis ei toimi nõuetekohaselt, võib kaasa tuua kontrolli kaotuse ja põhjustada raskeid kehavigastusi.

► **Joon.7:** 1. Toitenupp

Tööriista sisselülitamiseks vajutage mõneks sekundiks toitenupule.

Tööriista väljalülitamiseks vajutage uuesti mõneks sekundiks toitenupule.

► **Joon.8:** 1. Lahtilukustuse hoob 2. Lüliti päästik

Selleks, et lüliti päästik poleks võimalik juhuslikult tõmmata, on tööriist varustatud lahtilukustuse hoovaga. Tööriista käivitamiseks haarake tagumisest käepidemest (haaramine vabastab lahtilukustuse hoova) ja seejärel tõmmake lüliti päästikut. Tööriista seiskamiseks vabastage lüliti päästik.

**MÄRKUS:**

- Tööriist lülitub automaatselt välja, kui sellega pole ühe minuti jooksul tehtud ühtegi toimingut.

**Kiiruse reguleerimine**

► **Joon.9:** 1. Toitenupp

Tööriista kiiruse reguleerimiseks tuleb kergelt vajutada toitenupule.

Iga kord, kui vajutate toitenupule, hakkab indikaator või indikaator põlema. tähendab suurt kiirust ja väikest kiirust.

**Suunamuutmisnupp prahi eemaldamiseks****HOIATUS:**

- Lülitage tööriist välja ja eemaldage akukassett enne, kui hakkate eemaldama tööriista külge takerdunud umbrohtusid või muud prahiti, mida tagurpidi pöörlemise funktsioon ei suuda eemaldada. Kui jätta tööriist välja lülitamata ja akukassett eemaldamata, võib selle tagajärjeks olla tööriista juhuslikust käivitumisest tingitud raske kehavigastus.

► **Joon.10:** 1. Vastassuunanupp

Sellel tööriistal on suunamuutmisnupp, millega saab muuta pöörlemise suunda. See on ette nähtud ainult tööriista külge takerdunud umbrohtude ja prahi eemaldamiseks.

Pöörlemise suuna muutmiseks vajutage kergelt suunamuutmisnupule ja tõmmake päästikut sel ajal, kui tööriista lõikepea on seiskunud. Lüliti päästiku tõmbamise ajal hakkab toitelamp vilkuma ja tööriista lõikepea pöörleb vastupidises suunas.

Tavalise pöörlemise taastamiseks vabastage päästik ja oodake, kuni tööriista lõikepea on seiskunud.

**MÄRKUS:**

- Tööriist töötab vastupidises suunas ainult lühikest aega ja lülitub automaatselt välja.
- Kui käivate tööriista pärast seiskumist uuesti, hakkab see pöörlema tavalises suunas.
- Kui vajutate suunamuutmisnuppu sel ajal, kui tööriista lõikepea veel pöörleb, siis tööriist seiskub ja on siis valmis pöörlemiseks vastupidises suunas.

**Nailonist lõikepea (valikuline tarvik)****NBI:**

- Tõuke- ja etteandmismehhanism ei tööta korralikult, kui lõikepea ei pöörle.

► **Joon.11:** 1. Kõige efektiivsem lõikamispiirkond

Nailonist lõikepea on kahe jõhviga trimmeripea, millel on tõuke- ja etteandmismehhanismid.

Nailonjõhvi väljakerimiseks tuleb lõikepead pöörlemise ajal paar korda vastu maad koputada.

**MÄRKUS:** Kui nailonjõhvi ei õnnestu välja kerida koputamise, siis kerige nailonjõhvi tagasi/asendage nailonjõhvi nii, nagu on kirjeldatud peatükis "Hooldus".

# KOKKUPANEK

## ⚠️ HOIATUS:

- **Kandke alati hoolt selle eest, et tööriist oleks enne selle reguleerimist välja lülitatud ning akukassett eemaldatud.** Kui tööriist ei ole välja lülitatud ja akukassett ei ole eemaldatud, võib see lõppeda ootamatust käivitumisest põhjustatud tõsise vigastusega.
- **Ärge käivitage kunagi niidukit, kui see pole täielikult kokku monteeritud.** Osaliselt kokku monteeritud niiduki käivitamine võib põhjustada tõsiseid tervisekahjustusi.

## Käepideme paigaldamine

- **Joon.12:** 1. Haarats 2. Kuuskantpolt 3. Kate 4. Pitskruvi 5. Riputi

Paigaldage käepide toru külge ja keerake see kahe kuuskantpoldiga kinni. Veenduge, et käepide paikneb kaugemal kui riputi.

## Kaitsekatte paigaldamine

### ⚠️ HOIATUS:

- **Ärge kunagi kasutage tööriista siis, kui selle kaitsekate pole joonisel näidatud kohas.** Selle nõude eiramine võib põhjustada raske kehavigastuse.

### ⚠️ ETTEVAATUST:

- Olge ettevaatlik, et vältida enda vigastamist nailonjõhvi lõikamise teraga.

- **Joon.13:** 1. Lõikur 2. Pitskruvi 3. Polt

- **Joon.14:** 1. Lõikur 2. Pitskruvi 3. Polt

(Kaitsekatte kuju võib riikide lõikes erineda.)  
Joondage torul paiknev klamber kaitsekattega.  
Kinnitage need poltidega.

## Nailonist lõikepea või plastist lõiketera (valikuline tarvik) paigaldamine

### ⚠️ ETTEVAATUST:

- **Kui nailonist lõikepea / plastist lõiketera pörkab töötamise ajal vastu kivi või muud kõva eset, siis seisake tööriist ja kontrollige seda võimalike vigastuste suhtes. Kui nailonist lõikepea / plastist lõiketera on kahjustunud, tuleb see kohe välja vahetada.** Kahjustunud lõikerista kasutamine võib põhjustada raskeid kehavigastusi.

### NB!:

- Kasutage kindlasti originaalset Makita nailonist lõikepead / plastist lõiketera.  
Keerake tööriist tagurpidi, et saaksite nailonist lõikepead lihtsalt vahetada.

- **Joon.15:** 1. Nailonist lõikepea 2. Metallpiire 3. Vaheseib 4. Kuuskantvõti

- **Joon.16:** 1. Plastist lõiketera 2. Mutter 3. Metallpiire 4. Vaheseib 5. Kuuskantvõti

Sisestage kuuskantvõti läbi mootori korpuses oleva augu ning keerake vaheseib kuuskantvõtmega tugevasti kinni. Paigaldage nailonist lõikepea / plastist lõiketera otse keeramestatud võlile ja keerake see päripäeva kinni. Eemaldage kuuskantvõti.

Nailonist lõikepea / plastist lõiketera eemaldamiseks keerake seda vastupäeva, hoides vaheseibi samal ajal kuuskantvõtmega kinni.

## Kuuskantvõtme hoialepanek

- **Joon.17:** 1. Kuuskantvõti

Pange ajaks, mil te seda ei kasuta, kuuskantvõti joonisel näidatud viisil hoiale, et see ära ei kaoks.

# TÖÖRIISTA KASUTAMINE

## Tööriista õige käsitlemine

### Õige asend

#### ⚠️ HOIATUS:

- **Hoidke tööriista alati oma parempoolsel küljel.** Tööriista õige asend võimaldab maksimaalset kontrolli ja vähendab tagasilöögist põhjustatud raske kehavigastuse ohtu.
- **Olge äärmiselt ettevaatlik ja säilitage alati kontroll tööriista üle. Ärge laske tööriistal kalduda enda ega kellegi teise läheduses viibiva isiku poole.** Kontrolli kaotamine tööriista üle võib põhjustada pealtvaatajale ja operaatorile tõsise kehavigastuse.

- **Joon.18**

## Kandevöö

### Valikuline tarvik

### Kandevöö kinnitamine

- **Joon.19:** 1. Pannal 2. Konks

Pange kandevöö endale ümber. Seejärel ühendage haagi ja kandevöö pandlad. Veenduge, et pandlad klõpsatavad ja on korralikult kinni.

### Lahtiühendamine

- **Joon.20:** 1. Pannal

Pannal on varustatud kiirvabastusmehhanismiga. Tööriista vabastamiseks vajutage lihtsalt pandla küljed alla.

## Riputi asendi ja kandevöö reguleerimine

- **Joon.21:** 1. Kuuskantpolt

Riputi asendi muutmiseks keerake riputi kuuskantpolt kaasasoleva võtmega lahti. Seejärel nihutage riputi. Pärast riputi asukoha reguleerimist keerake kuuskantpolt võtmega tugevasti kinni.



## HOOLDUS

### ⚠ HOIATUS:

- **Kandke alati hoolt selle eest, et tööriist oleks enne selle kontrollimist või hooldust välja lülitatud ning akukassett eemaldatud.** Kui tööriist ei ole välja lülitatud ja akukassett ei ole eemaldatud, võib see lõppeda ootamatust käivitumisest põhjustatud tõsise vigastusega.

### NB!:

Ärge kunagi kasutage bensini, vedeldit, alkoholi ega midagi muud sarnast. Selle tulemuseks võib olla luitumine, deformatsioon või pragunemine.

## Nailonjõhvi asendamine

### ⚠ HOIATUS:

- **Ärge kunagi kasutage metallist traati, trossi ega midagi muud sarnast.** Kasutage ainult soovitatud nailonjõhvi. Vastasel juhul võib tööriist kahjustuda ning põhjustada raske kehavigastuse.
- **Veenduge, et nailonist lõikepea kate on korpuse külge õigesti kinnitatud niimoodi, nagu allpool on kirjeldatud.** Nõuetekohaselt kinnitamata kate võib põhjustada nailonist lõikepea vallandumise seadme küljest ja eemalpaiskumise, mille tagajärjeks võib olla tõsine kehavigastus.

### ► Joon.22

Võtke maha korpuse kate, vajutades alla kaks korpuse vastaskülgedel piludega osas asuvat riivi.

### ► Joon.23: 1. 80 - 100 mm

Lõigake nailonjõhvist 3 m pikkune tükk. Keerake nailonjõhv kokku selliselt, et üks pool jääks teisest 80–100 mm võrra pikem.

### ► Joon.24

Kinnitage uue nailonjõhvi keskkohi pooli keskel olevale sälgule 2 nailonjõhvi kanali vahel.

Kerige mõlemad otsad tugevasti ümber pooli lõikepeal märgitud suunas, mis viitab paremale märgistusega RH.

### ► Joon.25

Kerige poolile kogu jõhv, välja arvatud 100 mm pikkune jõhviots, mis tuleb kinnitada ajutiselt pooli küljel oleva sälgu taha.

### ► Joon.26

Paigaldage pool kattesse nii, et pooli sooned ja servad sobituksid katte vastavate osadega. Nüüd vabastage jõhvi otsad ajutisest asendist ja suunake läbi avade kattest välja.

### ► Joon.27

Joondage katte alumine esileulatav osa piluavade. Kinnitamiseks suruge kate kindlalt korpusele. Veenduge, et riivid on täielikult kattesse sisenenud.

## Lõiketera väljavahetamine plastist lõiketeral

### ► Joon.28

Vahetage lõiketera välja, kui see on kulunud või purunenud.

Toote OHUTUSE ja TÕÕKINDLUSE tagamiseks tuleb vajalikud remonttööd, muud hooldus- ja reguleerimistööd lasta teha Makita volitatud teeninduskeskustes. Alati tuleb kasutada Makita varuosi.

# VEAOTSING

Enne remonditöökotta pöördumist kontrollige seadet ise. Ärge üritage seadet lahti võtta, kui leiate probleemi, mida kasutusjuhendis ei kirjeldata. Selle asemel pöörduge Makita poolt volitatud teeninduskeskusesse, kus kasutatakse remontimisel alati Makita tagavaraosi.

Rikkestaatus	Põhjus	Toiming
Mootor ei tööta.	Akukassetti ei ole paigaldatud.	Paigaldage akukassett.
	Akurike (pinge madal)	Laadige akut. Kui laadimine pole tulemuslik, vahetage aku.
	Ajamisüsteem ei toimi korralikult.	Pöörduge parandamiseks kohaliku volitatud teeninduskeskuse poole.
Mootor seiskub pärast lühiajalist kasutamist.	Pöörlemissuund on tagurpidine.	Muutke suunamuutmislülitiga pöörlemissuunda.
	Aku laeng on madal.	Laadige akut. Kui laadimine pole tulemuslik, vahetage aku.
	Ülekuumenemine.	Lõpetage tööriista kasutamine ja laske sellel jahtuda.
Lõiketera ei saavuta max pöörlemiskiirust.	Aku on valesti paigaldatud.	Paigaldage akukassett nagu käesolevas kasutusjuhendis kirjeldatud.
	Aku laetuse tase langeb.	Laadige akut. Kui laadimine pole tulemuslik, vahetage aku.
	Ajamisüsteem ei toimi korralikult.	Pöörduge parandamiseks kohaliku volitatud teeninduskeskuse poole.
Lõikeriist ei pöörle: seisake niiduk viivitamatult!	Kaitsekatte ja nailonist lõikepea vahele on sattunud võõrkeha, näiteks oks.	Eemaldage võõrkeha.
	Ajamisüsteem ei toimi korralikult.	Pöörduge parandamiseks kohaliku volitatud teeninduskeskuse poole.
Ebanormaalne vibratsioon: seisake niiduk viivitamatult!	Nailonjõhvi üks ots on katki.	Koputage nailonist lõikepead vastu maad selle pöörlemise ajal, et jõhvi ette anda.
	Ajamisüsteem ei toimi korralikult.	Pöörduge parandamiseks kohaliku volitatud teeninduskeskuse poole.
Lõikeriist ja mootor ei seisku: eemaldage aku viivitamatult!	Elektri- või elektroonikarike.	Eemaldage aku ja pöörduge parandamiseks kohaliku volitatud teeninduskeskuse poole.

# VALIKULISED TARVIKUD

## **⚠ HOIATUS:**

- Ärge monteerige lõiketera sellele tööriistale. Kasutage ainult soovitatud tarvikuid või lisaseadiseid, mida on nimetatud selles kasutusjuhendis. Lõiketera või mõne muu tarviku või lisaseadise kasutamine võib põhjustada raske kehavigastuse.

## **⚠ ETTEVAATUST:**

- Neid tarvikuid ja lisaseadiseid on soovitatav kasutada koos Makita tööriistaga, mille kasutamist selles kasutusjuhendis kirjeldatakse. Muude tarvikute ja lisaseadiste kasutamisega kaasneb vigastada saamise oht. Kasutage tarvikuid ja lisaseadiseid ainult otstarvetel, milleks need on ette nähtud.

Saate vajadusel kohalikust Makita teeninduskeskusest lisateavet nende tarvikute kohta.

- Nailonist lõikepea
- Nailonjõhv (lõikejõhv)
- Plastist lõiketera
- Kandevoõ
- Makita algupärane aku ja laadija

## **MÄRKUS:**

- Mõned nimekirjas loetletud tarvikud võivad kuuluda standardvarustusse ning need on lisatud tööriista pakendisse. Need võivad riikide lõikes erineda.

## ТЕХНИЧЕСКИЕ ХАРАКТЕРИСТИКИ

Модель	DUR364L			
Тип рукоятки	Кольцевая ручка			
Число оборотов без нагрузки	5 000 / 6 500 мин <sup>-1</sup>			
Общая длина	1 754 мм			
Диаметр нейлонового шнура	2,0 – 2,4 мм			
Применимый режущий инструмент	Нейлоновая режущая головка (номер по каталогу 197297-1)	Пластмассовый нож (номер по каталогу 197188-6)	Нейлоновая режущая головка (номер по каталогу 197297-1)	Пластмассовый нож (номер по каталогу 197188-6)
Диаметр режущего диска	350 мм	255 мм	350 мм	255 мм
Номинальное напряжение	36 В пост. Тока			
Вес нетто	4,0 кг	3,9 кг	4,5 кг	4,4 кг
Стандартный аккумуляторный блок	BL1815N / BL1820 / BL1820B		BL1830 / BL1830B / BL1840 / BL1840B / BL1850 / BL1850B / BL1860B	

- Благодаря нашей постоянно действующей программе исследований и разработок, указанные здесь технические характеристики могут быть изменены без предварительного уведомления.
- Технические характеристики и аккумуляторный блок могут отличаться в зависимости от страны.
- Масса (с аккумуляторным блоком) в соответствии с процедурой EPTA 01.2003

Шум	Средний уровень звукового давления	Средний уровень звуковой мощности		Применимый стандарт
	L <sub>РА</sub> (дБ (А))	L <sub>WA</sub> (дБ (А))	Погрешность, К (дБ (А))	
Нейлоновая режущая головка	81	89	0,3	2000/14/EC
Пластмассовый нож	83	92	0,3	

Вибрация	Левосторонний		Правосторонний		Применимый стандарт
	a <sub>h,w</sub> (м/с <sup>2</sup> )	Погрешность, К (м/с <sup>2</sup> )	a <sub>h,w</sub> (м/с <sup>2</sup> )	Погрешность, К (м/с <sup>2</sup> )	
Нейлоновая режущая головка	≤ 2,5	1,5	≤ 2,5	1,5	EN50636-2-91
Пластмассовый нож	≤ 2,5	1,5	≤ 2,5	1,5	

**ПРИМЕЧАНИЕ:** Заявленное значение распространения вибрации измерено в соответствии со стандартной методикой испытаний и может быть использовано для сравнения инструментов.

**ПРИМЕЧАНИЕ:** Заявленное значение распространения вибрации можно также использовать для предварительных оценок воздействия.

**⚠ ОСТОРОЖНО:** Распространение вибрации во время фактического использования электроинструмента может отличаться от заявленного значения в зависимости от способа применения инструмента.

**⚠ ОСТОРОЖНО:** Обязательно определите меры безопасности для защиты оператора, основанные на оценке воздействия в реальных условиях использования (с учетом всех этапов рабочего цикла, таких как выключение инструмента, работа без нагрузки и включение).

### Символы

Ниже приведены символы, используемые для электроинструмента. Перед использованием убедитесь, что вы понимаете их значение.



Обратите особое внимание!



Прочитайте руководство по эксплуатации.



Опасность! Возможен разлет твердых предметов.



Расстояние от инструмента до находящихся поблизости людей должно быть не менее 15 м.



Не допускайте посторонних к месту работ.



Соблюдайте дистанцию не менее 15 м.



Надевайте каску, защитные очки и используйте средства защиты слуха.



Ясуси Фукайа (Yasushi Fukaya)

Директор

Makita, Jan-Baptist Vinkstraat 2, 3070, Belgium



Использовать защитные перчатки.



Обувайте прочные ботинки с нескользящими подошвами. Рекомендуется использовать защитную обувь со стальными подносками.



Бережь от влаги.



Максимально допустимая скорость инструмента.



Запрещается использовать металлический нож.

Ni-MH  
Li-Ion

Только для стран ЕС  
Не выбрасывайте электрооборудование или аккумуляторы вместе с бытовым мусором!  
В соответствии с европейскими директивами об утилизации электрического и электронного оборудования, о батареях и аккумуляторах, а также использованных батареях и аккумуляторах и их применении в соответствии с местными законами электрооборудование, батареи и аккумуляторы, срок эксплуатации которых истек, должны утилизироваться отдельно и передаваться для утилизации на предприятие, соответствующее применяемым правилам охраны окружающей среды.

## Только для европейских стран

## Декларация о соответствии ЕС

Makita заявляет, что следующее устройство (устройства):

Обозначение устройства:

Аккумуляторная Коса

Модель/Тип: DUR364L

Технические характеристики: см. Таблицу "ТЕХНИЧЕСКИЕ ХАРАКТЕРИСТИКИ".

Соответствует (-ют) следующим директивам ЕС:  
2000/14/ЕС, 2006/42/ЕС

Изготовлены в соответствии со следующим стандартом или нормативными документами:

EN60335, EN/ISO11806, EN50636

Технический файл в соответствии с документом  
2006/42/ЕС доступен по адресу:

Makita, Jan-Baptist Vinkstraat 2, 3070, Belgium

Процедура оценки соответствия согласно директиве 2000/14/ЕС была проведена в соответствии с приложением V.

### С пластмассовым ножом

Измеренный уровень звуковой мощности 92 дБ (А)

Гарантированный уровень звуковой мощности 92 дБ (А)

Процедура оценки соответствия согласно директиве 2000/14/ЕС была проведена в соответствии с приложением VI.

Уполномоченный орган:

TÜV Rheinland LGA Products GmbH

Tillystraße 2

90431 Nürnberg, Germany

Идентификационный номер 0197

### С нейлоновой режущей головкой

Измеренный уровень звуковой мощности 89 дБ (А)

Гарантированный уровень звуковой мощности 90 дБ (А)

## ВАЖНЫЕ ИНСТРУКЦИИ ПО ТЕХНИКЕ БЕЗОПАСНОСТИ

**⚠ВНИМАНИЕ!** Ознакомьтесь со всеми инструкциями и рекомендациями по технике безопасности. Невыполнение инструкций и рекомендаций может привести к поражению электротоком, пожару и/или тяжелым травмам.

## Сохраните брошюру с инструкциями и рекомендациями для дальнейшего использования.

1. Ознакомьтесь со всеми органами управления и правилами правильной эксплуатации изделия.
2. После выключения электромотора режущие элементы продолжают вращаться.
3. Не разрешайте детям и лицам, не знакомым с инструкциями, пользоваться устройством.
4. Прекратите эксплуатацию устройства, если поблизости находятся люди (в особенности дети) или животные.
5. Используйте устройство в светлое время суток или при хорошем электрическом освещении.
6. Перед началом эксплуатации или после любого удара проверьте устройство на наличие признаков износа или повреждения. При необходимости отремонтируйте.
7. Соблюдайте осторожность, чтобы не получить травму от любого устройства, предназначенного для обрезки нитей. Вытянув новую нить, перед включением обязательно верните инструмент в обычное рабочее положение.
8. Запрещается установка металлических режущих элементов.
9. Данное устройство не предназначено для использования людьми (включая детей) с ограниченными физическими, сенсорными или умственными возможностями, либо не имеющими соответствующего опыта или знаний, за исключением случаев, когда они действуют под руководством или после надлежащего инструктажа по использованию устройства со стороны лица, ответственного за их безопасность. Следует следить за маленькими детьми, чтобы они не использовали устройство в качестве игрушки.
10. Используйте инструмент с максимальной осторожностью и вниманием.

11. Используйте инструмент только в том случае, если находитесь в хорошей физической форме. Выполняйте все работы спокойно и тщательно. Руководствуйтесь здравым смыслом; помните, что оператор/пользователь несет ответственность за происшествия и опасные ситуации с другими людьми или их собственностью.
12. Запрещается использовать инструмент в состоянии алкогольного/наркотического опьянения, при усталости или болезни.
13. В случае ненадлежащей работы инструмента немедленно выключите его.
4. Когда аккумуляторный блок не используется, храните его отдельно от металлических предметов, таких как скрепки, монеты, ключи, гвозди, шурупы или другие небольшие металлические предметы, которые могут привести к короткому замыканию контактов аккумуляторного блока между собой. Короткое замыкание между контактами аккумуляторного блока может привести к ожогам или пожару.
5. При неправильном обращении из аккумулятора может потечь жидкость. Избегайте контакта с ней. В случае контакта с кожей промойте место контакта обильным количеством воды. В случае попадания жидкости в глаза обратитесь к врачу. Жидкость из аккумулятора может вызвать раздражение или ожоги.

## Назначение инструмента

1. Используйте инструмент, соответствующий выполняемой работе. Аккумуляторная коса предназначена только для выкашивания травы и небольших сорняков. Запрещается использовать устройство для любых других целей, таких как подрезка живой изгороди, так как это может привести к травме.
6. Не бросайте аккумуляторные блоки в огонь. Они могут взорваться. Уточните местные правила утилизации аккумуляторов.
7. Не вскрывайте и не разбирайте аккумуляторы. Содержащийся в них электролит очень едкий, вы можете повредить глаза или кожу. При проглатывании может быть ядовит.

## Индивидуальные средства защиты

► Рис.1

► Рис.2

1. Одевайтесь соответствующим образом. Рабочая одежда должна быть функциональной и соответствующей выполняемым работам, т.е. должна быть в меру облегающей. Не надевайте ювелирные украшения или одежду, которая может запутаться в высокой траве. Если у вас длинные волосы, убирайте их под соответствующий головной убор.
2. При использовании инструмента обязательно носите прочные ботинки на нескользящей подошве. Они защитят от травм и обеспечат хорошую устойчивость при работе.
3. Надевайте защитные очки или защитную маску для лица.

## Электробезопасность

1. Избегайте опасных сред. Не используйте инструмент в местах с повышенной влажностью и под дождем. Попавшая в инструмент вода повышает опасность поражения электрическим током.
2. Заряжайте аккумулятор только зарядным устройством, указанным изготовителем. Зарядное устройство, подходящее для одного типа аккумуляторов, может привести к пожару при его использовании с другим аккумуляторным блоком.
3. Используйте электроинструмент только с указанными аккумуляторными блоками. Использование других аккумуляторных блоков может привести к травме или пожару.
1. Убедитесь, что в радиусе 15 метров (50 футов) от места работы нет детей и других лиц, обратите также внимание на животных, которые находятся поблизости. В противном случае выключите инструмент.
2. Перед началом работы обязательно проверяйте безопасность инструмента. Проверьте безопасность режущего узла и ограждения, легкость нажатия и правильность работы куркового выключателя/рычага. Убедитесь, что рукоятки чистые и сухие, и проверьте функционирование выключателя.
3. Перед дальнейшим использованием инструмента осмотрите его на предмет поврежденных деталей. Ограждение или другие поврежденные детали должны быть тщательно осмотрены, чтобы убедиться, что инструмент будет работать нормально и выполнять функции, для которых он предназначен. Убедитесь в соосности движущихся узлов, свободном ходе движущихся деталей, отсутствии поломок деталей, надежности крепления и отсутствии других дефектов, которые могут повлиять на работу электроинструмента. Поврежденное ограждение или другая деталь должны быть соответствующим образом отремонтированы или заменены авторизованным сервисным центром, если в руководстве по эксплуатации не указано иное.
4. Включайте электродвигатель только если руки и ноги находятся на безопасном расстоянии от режущего узла.
5. Перед пуском двигателя убедитесь, что режущий узел не касается твердых предметов, таких как ветки, камни и т.п., так как при пуске режущий узел начнет вращаться.

## Включение инструмента

► Рис.3

## Способ эксплуатации

1. Запрещается включать инструмент с поврежденным или отсутствующим ограждением.
2. Используйте инструмент только при хорошем освещении и достаточной видимости. В зимнее время помните о скользких или мокрых поверхностях, наличии льда и снега (риск поскользывания). Обязательно проверяйте надежность опоры под ногами.
3. Соблюдайте меры безопасности, чтобы не травмировать ноги и руки режущим узлом.
4. Берегите руки и ноги от режущих деталей (особенно во время запуска электромотора).
5. Никогда не выполняйте резку на высоте выше уровня пояса.
6. Запрещается работать инструментом, стоя на лестнице.
7. Запрещается работать на неустойчивых поверхностях.
8. Не тянитесь слишком далеко. Всегда сохраняйте устойчивое положение и равновесие.
9. Удаляйте из рабочей зоны песок, камни, гвозди и пр. Посторонние предметы могут повредить режущий узел и разлетаться в стороны, что может стать причиной тяжелой травмы.
10. В случае удара режущего инструмента о камень или другой твердый предмет немедленно выключите двигатель и осмотрите режущий узел.
11. Перед тем как приступать к обрезке, необходимо дождаться, пока инструмент наберет полную скорость.
12. Во время работы обязательно держите инструмент двумя руками. Запрещается во время работы удерживать инструмент только одной рукой. Обязательно проверяйте надежность опоры под ногами.
13. Все защитные приспособления (такие, как ограждения), входящие в комплект поставки устройства, должны использоваться при эксплуатации.
14. За исключением экстренных случаев, не бросайте инструмент на землю, так как это может стать причиной серьезного повреждения инструмента.
15. Запрещается тащить инструмент по земле при перемещении с одного места на другое - инструмент можно повредить.
16. Обязательно снимайте аккумуляторный блок с инструмента в следующих случаях:
  - оставляя инструмент без присмотра;
  - перед устранением засора;
  - перед проверкой, очисткой или обслуживанием;
  - перед выполнением регулировок, сменной принадлежностей и приспособлений или хранением;
  - в случае возникновения необычной вибрации инструмента;
  - каждый раз при транспортировке инструмента;
17. Не прилагайте больших усилий к инструменту. Работа будет выполнена лучше и безопаснее с расчетной скоростью инструмента.

## Инструкции по уходу

1. Перед началом работы необходимо проверить состояние режущего инструмента, защитных приспособлений и плечевого ремня.
2. Выключите электродвигатель и извлеките аккумуляторный блок, прежде чем приступать к обслуживанию, замене режущего инструмента или чистке инструмента.
3. После эксплуатации отсоедините аккумуляторный блок от инструмента и проверьте на наличие повреждений.
4. Проверьте затяжку креплений и целостность деталей (например, почти отрезанных элементов) в режущем приспособлении.
5. Если оборудование не используется, оно должно храниться в сухом запечатанном месте, недоступном для детей.
6. Используйте только рекомендованные производителем запасные части и принадлежности.
7. Следите за тем, чтобы вентиляционные отверстия не были засорены.
8. Регулярно осматривайте и обслуживайте инструмент, особенно перед началом и после окончания использования. Ремонт инструмента должен выполняться только в авторизованных сервисных центрах.
9. Ручки инструмента всегда должны быть сухими и чистыми и не должны быть смазаны маслом или смазкой.

## СОХРАНИТЕ ДАННЫЕ ИНСТРУКЦИИ.

**⚠ОСТОРОЖНО: НЕ ДОПУСКАЙТЕ**, чтобы удобство или опыт эксплуатации данного устройства (полученный от многократного использования) доминировали над строгим соблюдением правил техники безопасности при обращении с этим устройством. **НЕПРАВИЛЬНОЕ ИСПОЛЬЗОВАНИЕ** инструмента или несоблюдение правил техники безопасности, указанных в данном руководстве, может привести к тяжелой травме.

### Важные правила техники безопасности для работы с аккумуляторным блоком

1. Перед использованием аккумуляторного блока прочитайте все инструкции и предупреждающие надписи на (1) зарядном устройстве, (2) аккумуляторном блоке и (3) инструменте, работающем от аккумуляторного блока.
2. Не разбирайте аккумуляторный блок.
3. Если время работы аккумуляторного блока значительно сократилось, немедленно прекратите работу. В противном случае, может возникнуть перегрев блока, что приведет к ожогам и даже к взрыву.

4. В случае попадания электролита в глаза промойте их обильным количеством чистой воды и немедленно обратитесь к врачу. Это может привести к потере зрения.
5. Не замыкайте контакты аккумуляторного блока между собой:
  - (1) Не прикасайтесь к контактам какими-либо токопроводящими предметами.
  - (2) Не храните аккумуляторный блок в контейнере вместе с другими металлическими предметами, такими как гвозди, монеты и т. п.
  - (3) Не допускайте попадания на аккумуляторный блок воды или дождя.Замыкание контактов аккумуляторного блока между собой может привести к возникновению большого тока, перегреву, возможным ожогам и даже поломке блока.
6. Не храните инструмент и аккумуляторный блок в местах, где температура может достигать или превышать 50 °C (122 °F).
7. Не бросайте аккумуляторный блок в огонь, даже если он сильно поврежден или полностью вышел из строя. Аккумуляторный блок может взорваться под действием огня.
8. Не роняйте и не ударяйте аккумуляторный блок.
9. Не используйте поврежденный аккумуляторный блок.
10. Входящие в комплект литий-ионные аккумуляторы должны эксплуатироваться в соответствии с требованиями законодательства об опасных товарах.

При коммерческой транспортировке, например, третьей стороной или экспедитором, необходимо нанести на упаковку специальные предупреждения и маркировку.

В процессе подготовки устройства к отправке обязательно проконсультируйтесь со специалистом по опасным материалам. Также соблюдайте местные требования и нормы. Они могут быть строже.

Закройте или закрепите разомкнутые контакты и упакуйте аккумулятор так, чтобы он не перемещался по упаковке.
11. Выполняйте требования местного законодательства относительно утилизации аккумуляторного блока.

## СОХРАНИТЕ ДАННЫЕ ИНСТРУКЦИИ.

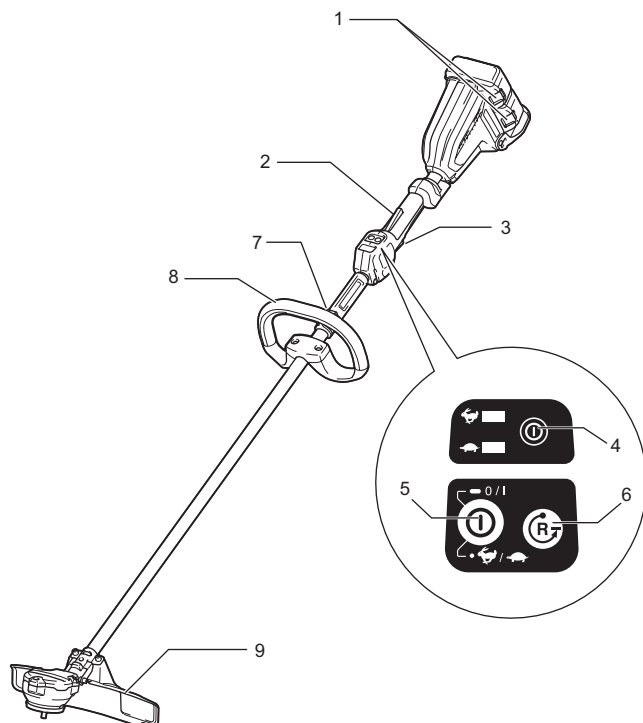
**▲ВНИМАНИЕ:** Используйте только фирменные аккумуляторные батареи Makita. Использование аккумуляторных батарей, не произведенных Makita, или батарей, которые были подвергнуты модификациям, может привести к взрыву аккумулятора, пожару, травмам и повреждению имущества. Это также автоматически аннулирует гарантию Makita на инструмент и зарядное устройство Makita.

## Советы по обеспечению максимального срока службы аккумулятора

1. Заряжайте блок аккумуляторов перед его полной разрядкой. Обязательно прекратите работу с инструментом и зарядите блок аккумуляторов, если вы заметили снижение мощности инструмента.
2. Никогда не подзаряжайте полностью заряженный блок аккумуляторов. Перезарядка сокращает срок службы аккумулятора.
3. Заряжайте блок аккумуляторов при комнатной температуре в 10 - 40 °C (50 - 104 °F). Перед зарядкой горячего блока аккумуляторов дайте ему остыть.
4. Зарядите ионно-литиевый аккумуляторный блок, если вы не будете пользоваться инструментом длительное время (более шести месяцев).



# ОПИСАНИЕ ДЕТАЛЕЙ



1	Блок аккумулятора	2	Рычаг разблокирования
3	Курковый выключатель	4	Индикатор питания
5	Кнопка основного питания	6	Кнопка реверса
7	Крючок для подвески	8	Рукоятка
9	Защитное устройство (ограждение режущего инструмента)		

# ОПИСАНИЕ ФУНКЦИОНИРОВАНИЯ

## ⚠ ОСТОРОЖНО:

- Перед регулировкой или проверкой функций инструмента обязательно убедитесь, что он выключен и его аккумуляторный блок снят. Несоблюдение этого требования может стать причиной тяжелой травмы из-за случайного включения инструмента.

## Установка или снятие блока аккумулятора

► Рис.4: 1. Красный индикатор 2. Кнопка 3. Блок аккумулятора

## ⚠ ВНИМАНИЕ:

- Обязательно выключайте инструмент перед установкой и извлечением аккумуляторного блока.
- При установке или снятии аккумуляторного блока надежно удерживайте инструмент и аккумуляторный блок. Иначе инструмент или аккумуляторный блок могут выскользнуть из рук, что может привести к травмам или повреждению инструмента и аккумуляторного блока.

Для снятия аккумуляторного блока нажмите кнопку на лицевой стороне и извлеките блок.

Для установки аккумуляторного блока совместите выступ блока с пазом в корпусе и задвиньте его на место. Устанавливайте блок до упора так, чтобы он зафиксировался на месте с небольшим щелчком. Если вы можете видеть красный индикатор на верхней части клавиши, аккумуляторный блок не полностью установлен на месте.

## ⚠ ВНИМАНИЕ:

- Обязательно устанавливайте аккумуляторный блок до конца, чтобы красный индикатор не был виден. В противном случае аккумуляторный блок может выпасть из инструмента и нанести травму вам или другим людям.
- Не прилагайте чрезмерных усилий при установке аккумуляторного блока. Если блок не двигается свободно, значит он вставлен неправильно.

## ПРИМЕЧАНИЕ:

- Инструмент не будет работать с одним аккумуляторным блоком.

## Система защиты инструмента/аккумулятора

На инструменте предусмотрена система защиты инструмента/аккумулятора. Она автоматически отключает питание двигателя для продления срока службы инструмента и аккумулятора. Инструмент автоматически остановится во время работы при возникновении указанных ниже ситуаций. В некоторых ситуациях загораются индикаторы.

## Защита от перегрузки

<input checked="" type="checkbox"/> : ВКЛ.	<input type="checkbox"/> : ВЫКЛ.	<input checked="" type="checkbox"/> : Мигает

В случае перегрузки инструмента из-за скопления сорняков или прочего мусора инструмент выключается автоматически, начинают мигать индикаторы и . В этом случае выключите инструмент и прекратите использование, повлекшее перегрузку инструмента. Затем включите инструмент для перезапуска.

## Защита инструмента от перегрева

<input checked="" type="checkbox"/> : ВКЛ.	<input type="checkbox"/> : ВЫКЛ.	<input checked="" type="checkbox"/> : Мигает

В случае перегрева инструмента он автоматически выключается и начинают мигать индикаторы и и индикатор аккумулятора (примерно 60 секунд). В этом случае дайте инструменту остыть перед повторным включением.

## Защита от переразрядки

При истощении заряда аккумулятора инструмент автоматически выключается. Если устройство не работает даже после нажатия переключателей, снимите аккумуляторы с инструмента и зарядите их.

## Индикация оставшегося заряда аккумулятора

(Только для блоков аккумуляторов с буквой "В" в конце номера модели.)

► Рис.5: 1. Лампы индикатора 2. Кнопка «СЧЕК» (Проверка)

Нажмите кнопку проверки на блоке аккумуляторов для проверки заряда. Индикаторы включатся на несколько секунд.

Лампы индикатора			Заряд батареи
Горит	ВЫКЛ.	Мигает	
			от 75 % до 100 %
			от 50 % до 75 %
			от 25 % до 50 %
			от 0 % до 25 %
			Зарядите аккумуляторную батарею.
			Возможно, аккумуляторная батарея неисправна.

#### ПРИМЕЧАНИЕ:

- В зависимости от условий эксплуатации и температуры окружающего воздуха индикация может незначительно отличаться от фактического значения.



## Индикация уровня заряда батареи

(В зависимости от страны)

► **Рис.6:** 1. Индикатор аккумулятора 2. Кнопка «СНЕК» (Проверка)

Нажмите кнопку проверки для просмотра на индикаторах аккумулятора оставшегося уровня заряда аккумулятора. Индикаторы соответствуют каждому аккумулятору.

## Индикация уровня заряда батареи

Состояние индикатора аккумуляторной батареи	Уровень заряда батареи
	
	50 % - 100 %
	20 % - 50 %
	0 % - 20 %
	Зарядите аккумулятор

## Действие выключателя питания

### ⚠ ОСТОРОЖНО:

- Перед установкой аккумуляторного блока в инструмент обязательно убедитесь, что его курковый выключатель нормально работает и возвращается в положение "OFF" (ВЫКЛ) при отпускании. Эксплуатация инструмента с неисправным выключателем может привести к потере контроля над инструментом и получению тяжелой травмы.

► **Рис.7:** 1. Кнопка основного питания

Нажмите и удерживайте кнопку основного питания в течение нескольких секунд для включения инструмента. Для выключения инструмента снова нажмите и удерживайте кнопку основного питания.

► **Рис.8:** 1. Рычаг разблокирования 2. Курковый выключатель

Для предотвращения случайного включения курковый выключатель оборудован стопорным рычагом. Для запуска инструмента возьмитесь за заднюю рукоятку (при этом выключите стопорный рычаг) и потяните курковый выключатель. Для выключения инструмента отпустите курковый выключатель.




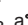
#### ПРИМЕЧАНИЕ:

- Инструмент автоматически выключается в случае бездействия в течение одной минуты.

## Регулировка скорости

► **Рис.9:** 1. Кнопка основного питания

Для регулировки скорости инструмента нажмите кнопку основного питания.

При каждом нажатии кнопки основного питания загорается индикатор  или . Индикатор  обозначает высокую скорость, а  – низкую.

## Кнопка реверса для удаления мусора

### ⚠ ОСТОРОЖНО:

- Выключите инструмент и снимите аккумуляторный блок перед удалением скопившихся сорняков или мусора, с которыми не справилась функция вращения в обратном направлении. Несоблюдение данного требования может привести к серьезным травмам из-за случайного срабатывания инструмента.

► **Рис.10:** 1. Кнопка реверса

Этот инструмент оборудован кнопкой реверса для изменения направления вращения. Данная функция предназначена только для удаления скопившихся в инструменте сорняков и мусора.

Для изменения направления вращения нажмите кнопку реверса и потяните курковый выключатель после остановки головки инструмента. После нажатия куркового выключателя индикатор питания начнет мигать, а головка инструмента будет вращаться в обратном направлении. Для возврата к обычному направлению вращения отпустите курковый выключатель и дождитесь остановки головки инструмента.

#### ПРИМЕЧАНИЕ:

- После изменения направления вращения инструмент работает в течение небольшого периода времени и затем автоматически отключается.
- После выключения инструмента при его последующем включении направление вращения снова будет обычным.
- В случае нажатия кнопки реверса во время вращения головки инструмента, он останавливается для изменения направления вращения.

## Нейлоновая режущая головка (дополнительная принадлежность)

#### УВЕДОМЛЕНИЕ:

- Если головка не вращается, функция ударного самовыпуска не будет работать надлежащим образом.

► **Рис.11:** 1. Наиболее эффективная зона резы

Нейлоновая режущая головка представляет собой газонокосилку с двумя нитями и механизмом ударного самовыпуска. Чтобы выпустить нейлоновый шнур, во время работы инструмента коснитесь земли режущей головкой.

**ПРИМЕЧАНИЕ:** Если нейлоновый шнур не выходит при ударе о землю, намотайте/замените его в соответствии с процедурой в разделе "Техобслуживание".

# МОНТАЖ

## **⚠ ОСТОРОЖНО:**

- **Перед выполнением каких-либо работ с инструментом обязательно убедитесь, что он выключен и его аккумуляторный блок снят.** Несоблюдение этого требования может стать причиной тяжелой травмы из-за случайного включения инструмента.
- **Не запускайте частично разобранный инструмент.** Работа инструмента в частично разобранном виде может стать причиной тяжелой травмы в результате случайного пуска.

## Установка ручки

- **Рис.12:** 1. Ручьятка 2. Болт с шестигранной головкой 3. Крышка 4. Зажим 5. Крючок для подвески

Установите ручку на трубу и зафиксируйте двумя болтами с шестигранной головкой. Убедитесь, что ручка расположена дальше, чем крючок.

## Установка ограждения

### **⚠ ОСТОРОЖНО:**

- **Запрещается использовать инструмент без установленного защитного ограждения, показанного на рисунке.** Несоблюдение данного требования может привести к серьезным травмам.

### **⚠ ВНИМАНИЕ:**

- Соблюдайте осторожность, чтобы не пораниться при отрезании нейлонового шнура.

- **Рис.13:** 1. Пильная цепь 2. Зажим 3. Болт

- **Рис.14:** 1. Пильная цепь 2. Зажим 3. Болт

(Форма ограждения в разных странах может различаться.)

Выверните зажим на трубе с защитным устройством. Зафиксируйте их болтами.

## Установка нейлоновой режущей головки или пластмассового ножа (дополнительная принадлежность)

### **⚠ ВНИМАНИЕ:**

- **Если во время работы нейлоновая режущая головка / пластмассовый нож наталкивается на камень или другой твердый предмет, остановите инструмент и осмотрите его на предмет повреждения. Если нейлоновая режущая головка / пластмассовый нож повреждены, немедленно замените деталь.** Использование поврежденного режущего инструмента может привести к серьезной травме.

## УВЕДОМЛЕНИЕ:

- Обязательно используйте оригинальную нейлоновую режущую головку / пластмассовый нож Makita.

Для замены нейлоновой режущей головки проверните инструмент.

- **Рис.15:** 1. Нейлоновая режущая головка  
2. Металлическое ограждение  
3. Опорная шайба 4. Шестигранный ключ

- **Рис.16:** 1. Пластмассовый нож 2. Гайка  
3. Металлическое ограждение  
4. Опорная шайба 5. Шестигранный ключ

Вставьте шестигранный ключ через отверстие в корпусе электромотора и поверните опорную шайбу до фиксации шестигранным ключом. Установите нейлоновую режущую головку / пластмассовый нож непосредственно на резьбовой шпindel и затяните, повернув по часовой стрелке. Извлеките шестигранный ключ.

Для снятия нейлоновой режущей головки / пластмассового ножа поверните их против часовой стрелки, удерживая опорную шайбу шестигранным ключом.

## Хранение шестигранного ключа

- **Рис.17:** 1. Шестигранный ключ

Когда шестигранный ключ не используется, храните его, как показано на рисунке, чтобы не потерять.

# ЭКСПЛУАТАЦИЯ

## Правильное обращение с инструментом

## Правильная поза

### **⚠ ОСТОРОЖНО:**

- **Инструмент всегда должен располагаться справа от оператора.** Правильное расположение инструмента обеспечивает его оптимальную управляемость и позволяет снизить риск получения серьезных травм из-за отдачи инструмента.
- **Соблюдайте особую осторожность, чтобы сохранять контроль над инструментом во время работы. Не допускайте отклонения инструмента по направлению к вам или к другим людям, находящимся поблизости.** Несоблюдение данного требования может привести к серьезным травмам посторонних лиц или оператора.

- **Рис.18**

## Плечевой ремень

### Дополнительные принадлежности

### Прикрепление плечевого ремня

► Рис.19: 1. Пряжка 2. Крючок

Наденьте плечевой ремень. Затем застегните замки на крючке и на ремне. Убедитесь, что замки защелкнулись и заблокировались.

### Отсоединение

► Рис.20: 1. Пряжка

Конструкция замка обеспечивает его быструю разблокировку. Чтобы отсоединить инструмент, просто нажмите на боковые выступы замка.

### Регулировка положения крючка и плечевого ремня

► Рис.21: 1. Болт с шестигранной головкой

Чтобы изменить положение крючка, ослабьте болт с шестигранной головкой на крючке с помощью прилагаемого ключа. Затем передвиньте крючок.

После регулировки положения крючка надежно затяните болт с шестигранной головкой ключом.

## ТЕХОБСЛУЖИВАНИЕ

### ⚠ ОСТОРОЖНО:

- Перед осмотром или обслуживанием инструмента обязательно убедитесь, что он выключен и его аккумуляторный блок снят. Несоблюдение этого требования может стать причиной тяжелой травмы из-за случайного включения инструмента.

### УВЕДОМЛЕНИЕ:

Запрещается использовать бензин, лигроин, растворитель, спирт и т.п. Это может привести к изменению цвета, деформации и появлению трещин.

## Замена нейлонового шнура

### ⚠ ОСТОРОЖНО:

- Запрещается использовать металлический провод, трос или подобные предметы. Используйте только рекомендованный нейлоновый шнур. Несоблюдение данного требования может привести к повреждению инструмента и серьезным травмам.
- Убедитесь, что крышка нейлоновой режущей головки надежно закреплена на корпусе как описано ниже. Ненадлежащая фиксация крышки может привести к разрушению режущей головки – она может разлететься на осколки и причинить серьезную травму.

### ► Рис.22

Снимите крышку с корпуса, нажав две защелки, которые представляют собой пазы по бокам корпуса.

► Рис.23: 1. 80 - 100 мм

Отрежьте 3 м нейлонового шнура. Сложите режущий шнур вдвое так, чтобы одна половина была длиннее второй на 80-100 мм.

### ► Рис.24

Подцепите новый нейлоновый шнур к прорези в центре бобины между двумя каналами, предназначенными для нейлонового шнура.

Плотно намотайте оба конца на бобину в направлении, отмеченном на головке (вращение катушки вправо обозначено маркировкой RH).

### ► Рис.25

Намотайте шнуры, оставив примерно по 100 мм и временно вставив концы в паз на бобине.

### ► Рис.26

Установите бобину на крышку так, чтобы пазы и выступы на катушке совпали с соответствующими выступами и пазами на крышке. Теперь освободите концы шнура из точек временного закрепления и выдвиньте шнуры через отверстия в крышке.

### ► Рис.27

Совместите выступ на нижней стороне крышки с углублениями отверстий. Затем прижмите крышку к корпусу, чтобы зафиксировать ее. Убедитесь, что защелки полностью вошли в крышку.

## Замена ножа на пластмассовый

### ► Рис.28

Замените нож в случае его износа или поломки.

Для обеспечения БЕЗОПАСНОСТИ и НАДЕЖНОСТИ оборудования, ремонт, любое другое техобслуживание или регулировку необходимо производить в уполномоченных сервис-центрах Makita, с использованием только сменных частей производства Makita.

# ПОИСК И УСТРАНЕНИЕ НЕИСПРАВНОСТЕЙ

Прежде чем обращаться по поводу ремонта, проведите осмотр самостоятельно. Если обнаружена неисправность, не указанная в руководстве, не пытайтесь разобрать инструмент. Обратитесь в один из авторизованных сервисных центров Makita, в которых для ремонта всегда используются оригинальные детали Makita.

Неисправность	Причина	Действие
Не работает электромотор.	Не вставлен аккумуляторный блок.	Установите аккумуляторный блок.
	Неисправен аккумулятор (под напряжением)	Зарядите аккумулятор. Если зарядка не помогает, замените аккумулятор.
	Привод работает неправильно.	Обратитесь в местный авторизованный центр для ремонта.
После непродолжительного использования электромотор останавливается.	Вращение в обратную сторону.	Измените направление вращения соответствующим переключателем.
	Низкий уровень заряда аккумулятора.	Зарядите аккумулятор. Если зарядка не помогает, замените аккумулятор.
	Перегрев.	Прекратите работу и дайте инструменту остыть.
Не достигает максимальных оборотов.	Неправильно установлен аккумулятор.	Вставьте аккумуляторный блок как описано в этом руководстве.
	Заряд аккумулятора падает.	Зарядите аккумулятор. Если зарядка не помогает, замените аккумулятор.
	Привод работает неправильно.	Обратитесь в местный авторизованный центр для ремонта.
Режущий узел не вращается: немедленно остановите устройство!	Посторонний предмет (например, ветка) застрял между ограждением и нейлоновой режущей головкой.	Удалите посторонний предмет.
	Привод работает неправильно.	Обратитесь в местный авторизованный центр для ремонта.
Сильная вибрация: немедленно остановите устройство!	Один из концов нейлонового шнура оборван.	При вращении коснитесь земли выступом на нейлоновой режущей головке, чтобы выпустить нейлоновый шнур.
	Привод работает неправильно.	Обратитесь в местный авторизованный центр для ремонта.
Режущий нож и двигатель не останавливаются: немедленно извлеките аккумулятор!	Электрическая или электронная неисправность.	Извлеките аккумулятор и обратитесь в местный авторизованный сервисный центр для ремонта.

# ДОПОЛНИТЕЛЬНЫЕ ПРИНАДЛЕЖНОСТИ

## **⚠ ОСТОРОЖНО:**

- **Запрещается устанавливать нож на данный инструмент – используйте только оригинальные принадлежности или насадки, указанные в данном руководстве.** Использование ножа или других принадлежностей и насадок может привести к серьезным травмам.

## **⚠ ВНИМАНИЕ:**

- Эти принадлежности или насадки рекомендуется использовать вместе с вашим инструментом Makita, описанным в данном руководстве. Использование каких-либо других принадлежностей или насадок может представлять опасность получения травм. Используйте принадлежность или насадку только по указанному назначению.

Если вам необходимо содействие в получении дополнительной информации по этим принадлежностям, свяжитесь со своим местным сервис-центром Makita.

- Нейлоновая режущая головка
- Нейлоновый шнур (режущая нить)
- Пластмассовый нож
- Плечевой ремень
- Оригинальный аккумулятор и зарядное устройство Makita

## **ПРИМЕЧАНИЕ:**

- Некоторые элементы списка могут входить в комплект инструмента в качестве стандартных приспособлений. Они могут отличаться в зависимости от страны.

**Makita Europe N.V.** Jan-Baptist Vinkstraat 2,  
3070 Kortenberg, Belgium

**Makita Corporation** 3-11-8, Sumiyoshi-cho,  
Anjo, Aichi 446-8502 Japan

[www.makita.com](http://www.makita.com)

885388F982  
EN, SV, NO, FI, LV,  
LT, ET, RU  
20170213