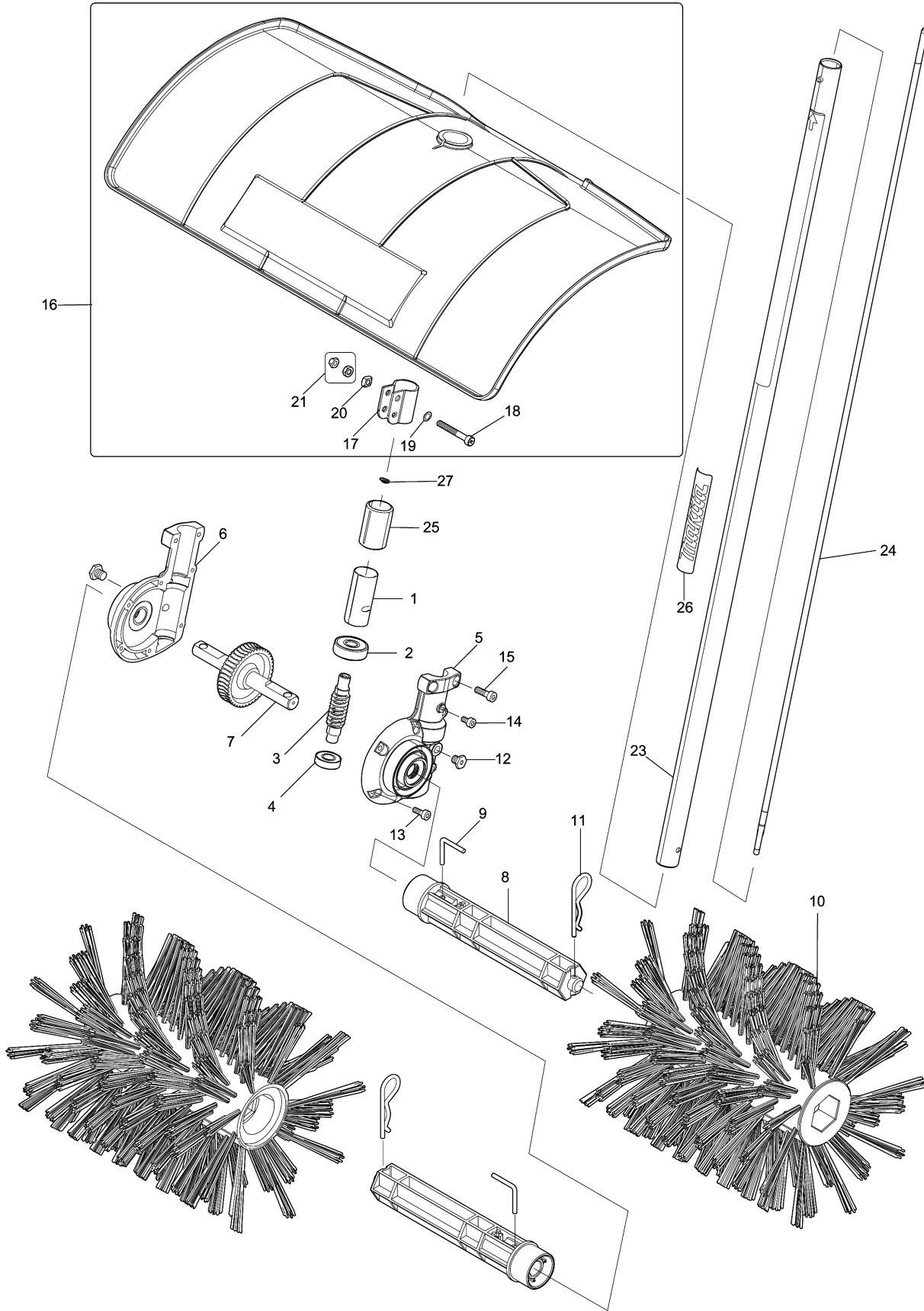


Model No.BR400MP POWER BRUSH ATTACHMENT



Model No.BR400MP POWER BRUSH ATTACHMENT

Item	Parts No.	Description	I/C	Qty	New/Old	Opt. 1	Opt. 2	Note
001	XNR0000519	COLLAR		1				
002	XNR0000520	BALL BEARING 6301LL		1				
003	XNR0000521	WORM COMPLETE		1				
004	XNR0000052	BALL BEARING #6001ZZ		1				
005	XNR0000536	WORM CASE A COMPL		1				
006	XNR0000537	WORM CASE B COMPL		1				
007	XNR0000544	WHEEL COMPLETE		1				
008	XNR0000547	AXLE SHAFT		2				
009	XNR0000546	L PIN		2				
010	XNR0000548	BRUSH COMPLETE		2				
011	XNR0000545	R PIN		2				
012	XNR0000495	BOLT		2				
013	XNR0000529	H.L.SOCKET HEAD BOLT M5X15		6				
014	XNR0000528	H.L.SOCKET HEAD BOLT M5X10		1				
015	XNR0000527	H.L.SOCKET HEAD BOLT M6X20		2				
016	140D65-5	ROTALY COVER COMPLETE A		1				
C10	817T97-0	CAUTION LABEL		1				
D10		INC. 17-21						
017	XNR0000541	COVER SLEEVE		1				
018	XNR0000517	H.L.SOCKET HEAD BOLT M6X45		2				
019	XNR0000543	FLAT WASHER 6		2				
020	XNR0000542	SQUARE NUT		2				
021	XNR0000516	HARD LOCK NUT RIM		2				
023	140D99-8	SHAFT PIPE COMPLETE B		1	*			
C10	817T85-7	CAUTION LABEL		1	*			
023-1	140D99-8	SHAFT PIPE COMPLETE B	<	1				
C10	817T85-7	CAUTION LABEL		1				
024	327189-2	SHAFT A		1				
025	458732-7	SPACER		1				
026	819312-8	MAKITA LOGO LABEL		1				
027	961003-8	RETAINING RING S-7		1				
A01	424434-7	CAP 24		2				
A02	782025-3	TORX WRENCH		1				

Please order the parts with part number.

Print Date 15/8/2022