

P-Lindberg

KITTEN II- 9059505

Reservedelar

Spareparts

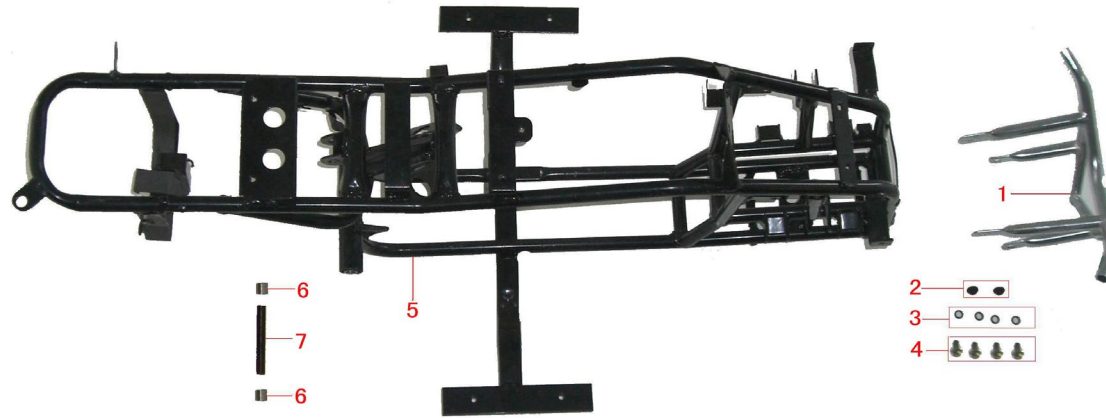
V2



Innehållsförteckning / INDEX

Fig 1	Stel / chassis
Fig 2	Skærme / plastic body
Fig 3	Bagerste svingarm / rear swingarm
Fig 4	Forhjulsophæng / front suspension
Fig 5	Elektriske dele & motor komponenter / electricals & engine parts
Fig 6	Styringsystem / steering system

1: Stel / chassis



1: Stel / chassis

Ref. no.	PL nr / art. no.	Varenavn	Art. name	OE no.	Antal / pcs
1	9056942	Kofångare	Bumper	1.4.06.0020	1
2	N/A		Bumper block	1.4.02.1010	2
3	N/A		Spring washer 8	0.04.00710	4
4	9050230	Bult, M8x16	Bolt M8*16 yellow zinc plated	0.01.05120	4
5	N/A		Frame	1.1.06.0012	1
6	N/A		Spacer washer for rear swingarm	1.3.02.0050	2
7	N/A		Sleeve for rear swingarm	1.3.06.0030	1

Fig 2: Skærme / plastic body



Fig 2: Skærme / plastic body

Ref. no.	PL nr / art. no.	Varenavn	Art. name	OE no.	Antal / pcs
2-1	9056943	Framlykta	Headlight	5.2.06.0010	1
2-1-1	9056944	Lampa, liten	Bulb for small headlight	5.2.02.0110	1
2-1-2	9056945	Lampa, stor	Bulb for big headlight	5.2.06.0020	1
2-2	N/A		Cross recess head screw ST4.8*14	0.02.02650	8
2-3	N/A		Washer 4	0.04.01650	4
2-4	N/A		Cross recess head screw ST4.8*14	0.02.02650	10
2-5	N/A		Bolt M6*16 zinc plated	0.01.00420	1
2-6	9056946	Front panel	Front panel	6.2.06.0050	4
2-7	9050206	Mutter M6	Nut M6	0.03.02920	12
2-8	N/A		Washer 6	0.04.00150	12
2-9	N/A		Rubber washer 307	6.2.02.0130	12
2-10	N/A		Mushroom head bolt M6*18	8.1.02.0030	12
2-11	9056947	Framskydd	Front body cover	6.2.06.0030	1
2-12	9056948	Fotplatta vänster	Footrest left	6.2.06.0020	1
2-13	9056949	Bränsletank, komplett	Fuel tank assy	2.9.06.0010	1
2-13-1	9056950	Skydd bränsletank	Fuel tank cap	2.9.06.0020	1
2-14	9056951	Bensinhane	Switch for fuel tank	2.9.06.0030	1
2-15	N/A		Fuel pipe	2.9.02.0030	1
2-16	9056952	Fotplatta, höger	Footrest right	6.2.06.0010	1
2-17	N/A		Mushroom head bolt M6*16	0.01.00420	2
2-18	9056953	Bakskydd, svart	Rear body cover (black)	6.2.06.004001	1
2-19	N/A		Washer for seat	6.1.04.0020	2
2-20	9056954	Sits	Seat	6.1.06.0010	1
2-21	N/A		Rear reflector (red)	5.2.02.0050	1
2-22	N/A		Bracket for taillight	1.4.02.0040	1
2-23	9056955	Baklykta	Taillight	5.2.02.0011	1

Fig 3: bagerste svingarm / rear swingarm

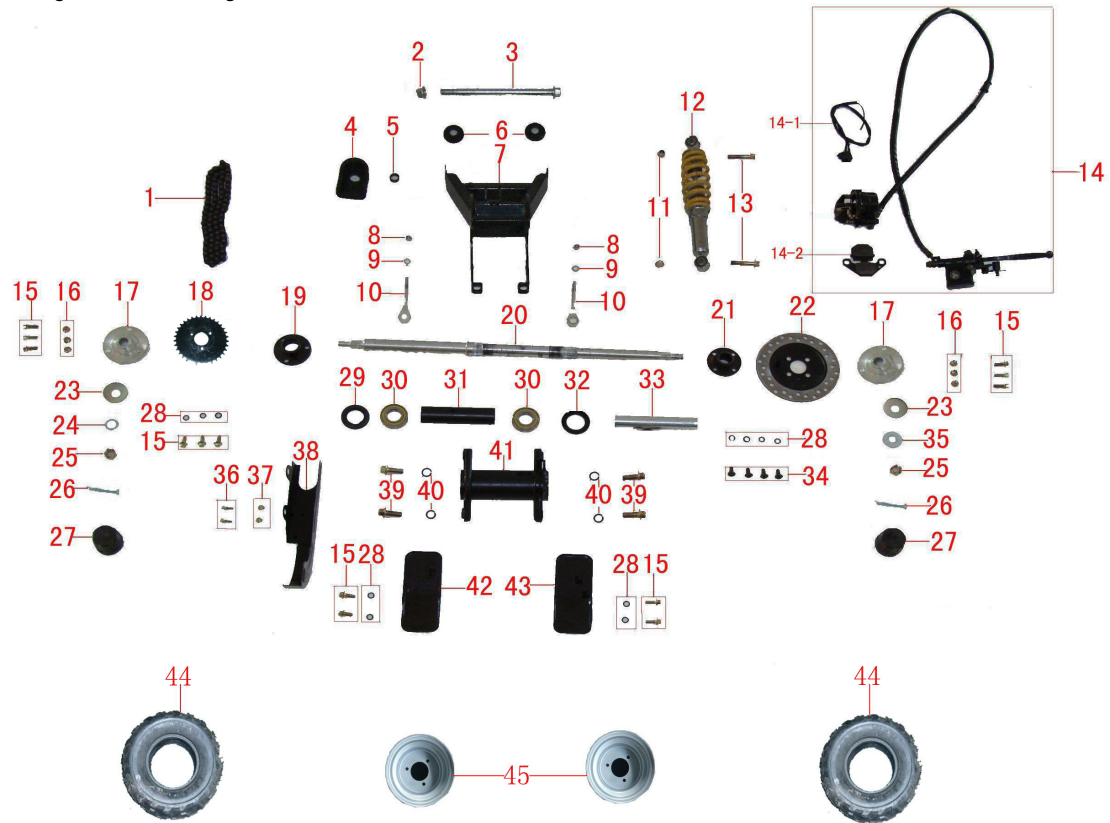


Fig 3: bagerste svingarm / rear swingarm

Ref. no.	PL nr / art. no.	Varenavn	Art. name	OE no.	Antal / pcs
3-1	9056956	Kedja, 420-72	Chain 420-72	2.3.06.0020	1
3-2	N/A		Nut M14*1.4	0.03.00850	1
3-3	N/A		Bolt M14*1.5*230 for rear swingarm	1.3.06.0051	1
3-4	N/A		Abrasion-resistant cover	4.1.06.0140	1
3-5	N/A		Spacer washer abrasion-resistant cover	4.1.06.0150	1
3-6	N/A		Steel sheet washer	1.2.02.0080	2
3-7	9056957	Bakre svängarm	Rear swingarm	1.3.06.0011	1
3-8	9050214	Låsmutter M8	Locknut M8	0.03.02250	2
3-9	N/A		Washer 8	0.04.00350	2
3-10	9056958	Kedjespännare	Rear jack	4.1.03.0120	2
3-11	N/A		Nut M10*1.25	0.03.00520	2
3-12	9056959	Stötdämpare bak	Rear shock absorber	4.2.06.0020	1
3-13	N/A		Bolt M10*1.25*42	0.01.07420	2
3-14	9056960	Skivbroms bakre	Rear hydraulic disc brake	4.3.02.0010	1
3-14-1	9056961	Bromskabel	Cable for brake switch	5.3.02.0250	1
3-14-3	9056962	Bromsklossar	Brake pads	4.3.02.0030	1
3-15	N/A		Bolt M8*20 yellow zinc plated	0.01.00920	11
3-16	N/A		Nut M8 yellow zinc plated	0.03.00120	6
3-17	9056963	Hjulnav, bakre	Rear wheel hub	4.1.02.0251	2
3-18	9056964	Tandhjul, 420-29	Sprocket 420-29	4.1.02.1300	1
3-18	9058735	Tandhjul 37T	Sprocket 37T		1
3-19	9056965	Tandhjulnav	Housing for sprocket	4.1.02.0031	1
3-20	9056966	Bakaxel	Rear axle	4.1.02.0012	1
3-21	9056967	Hållare till skivbroms	Seat for brake disc	4.1.02.0061	1
3-22	9056968	Skivbroms	Brake disc	4.1.02.0073	1
3-23	N/A		Dustproof washer	4.1.02.0130	2
3-24	N/A		Washer 14*28*2	0.04.03050	1
3-25	N/A		Slotted nut M14*1.5	0.03.01620	2
3-26	N/A		Cotter pin 2.5*30	0.08.02100	2
3-27	9056969	Skydd dammsäkert	Dustproof cover	4.1.02.0100	2
3-28	N/A		Spring washer 8	0.04.00710	19
3-29	9056970	Packning 35x55x8	Oil seal 35*55*8	0.07.00100	2
3-30	9038576	Lager	Bearing 6205	0.05.01800	2
3-31	N/A		Sleeve for seat of rear swingarm	4.1.02.0460	1
3-32	N/A		Oil seal 32*52*8	0.07.00200	2
3-33	N/A		Right sleeve for rear axle	4.1.02.0081	1
3-34	N/A		Hexagon cap head screw M8*16	0.02.02340	4
3-35	N/A		Washer 14*39*5	0.04.02850	1
3-36	9050220	Bult, M6x16	Bolt M6*16	0.01.00420	2
3-37	9050206	Mutter, M6	Nut M6	0.03.00220	2
3-38	9056971	Skyddsskärm för tandhjul, övre	Up protecting cover for sprocket	4.1.02.0120	1
3-39	N/A		Bolt M12*1.25*30	0.01.04520	4
3-40	N/A		Spring washer 12	0.04.00910	4
3-41	9056972	Hållare till bakre svängarm	Seat of rear swingarm	4.1.02.0021	1
3-42	9056973	Skyddsskärm för tandhjul, nedre	Down protecting cover for sprocket	4.1.02.0140	1
3-43	9056974	Skyddsskärm till skivbroms, nedre	Down protecting cover for brake disc	4.1.02.0270	1
3-44	9028646	Däck, 14.5/7-6	Tyre 14.5/7-6	4.1.02.0200	2
3-45	9056975	Fälg fram & bak - 6"	Rim 6"	4.1.02.0196	1

Fig 4: Forhjulsophæng / front suspension

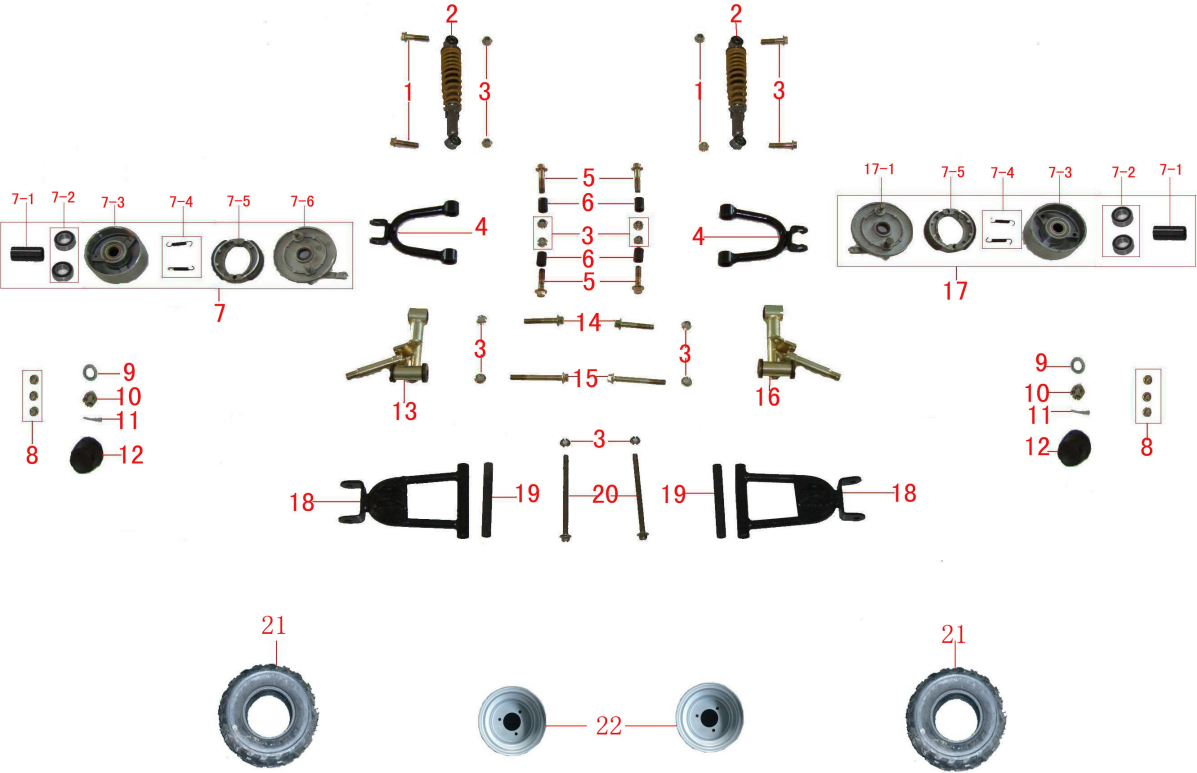


Fig 4: Forhjulsofhæng / front suspension

Ref. no.	PL nr / art. no.	Varenavn	Art. name	OE no.	Antal / pcs
4-1	N/A		Bolt M10*1.25*42	0.01.07420	4
4-2	9056976	Stötdämpare, främre	Front shock absorber	4.2.06.0010	2
4-3	N/A		Nut M10*1.25	0.03.00520	16
4-4	9056977	A-arm, övre	Up A-arm	1.3.02.0010	2
4-5	N/A		Bolt M10*1.25*45	0.01.05620	4
4-6	N/A		Sleeve for top A-arm	1.3.02.0070	4
4-7	9056978	Trumbroms främre - vänster	Front left drum brake assy	4.3.02.0050	1
4-7-1	N/A		Sleeve for front wheel hub	4.1.02.0221	2
4-7-2	9038542	lager	Bearing 6003	0.05.01400	4
4-7-3	9056979	Bromstrumma bakre	Front drum brake body	4.3.02.0130	1
4-7-4	9056980	Bromstrumma främre	Brake shoes for front drum	4.3.02.0070	4
4-7-5	N/A		Spring for front drum brake	4.3.02.0160	4
4-7-6	N/A		Left side cover of drum brake	4.3.02.0140	1
4-8	9050207	Mutter M8	Nut M8	0.03.00120	6
4-9	N/A		Washer 14*28*2	0.04.03050	2
4-10	N/A		Slotted nut M14*1.5	0.03.01620	2
4-11	N/A		Cotter pin	0.08.02100	2
4-12	9056981	Navkapsel, dammtät	Dustproof cover for wheel	4.1.02.0073	2
4-13	9056982	Spindel, vänster	Y-bone left	3.1.02.0013	1
4-14	N/A		Bolt M10*1.25*55	0.01.04620	2
4-15	N/A		Bolt M10*1.25*85	0.01.04320	2
4-16	9056983	Spindel, höger	Y-bone right	3.1.02.0023	1
4-17	9056984	Trumbroms främre - höger	Right drum brake assy	4.3.02.0060	1
4-17-1	N/A		Right cover for drum brake	4.3.02.0150	1
4-18	9056985	A-arm, nedre	Down A-arm	1.3.06.0021	2
4-19	9056986	Manchet till A-arm, nedre	Sleeve for down A-arm	1.3.03.0050	2
4-20	9056987	Bult, M10x1,25x155	Bolt M10*1.25*155	0.01.07220	2
4-21	9028646	Däckk, 14.5/7-6	Tyre 14.5/7-6	4.1.02.0150	2
4-22	9056975	Fälg, fram & bak - 6"	Rim 6"	4.1.02.0196	2

Fig 5: Elektriske dele & motor komponenter / electricals & engine parts

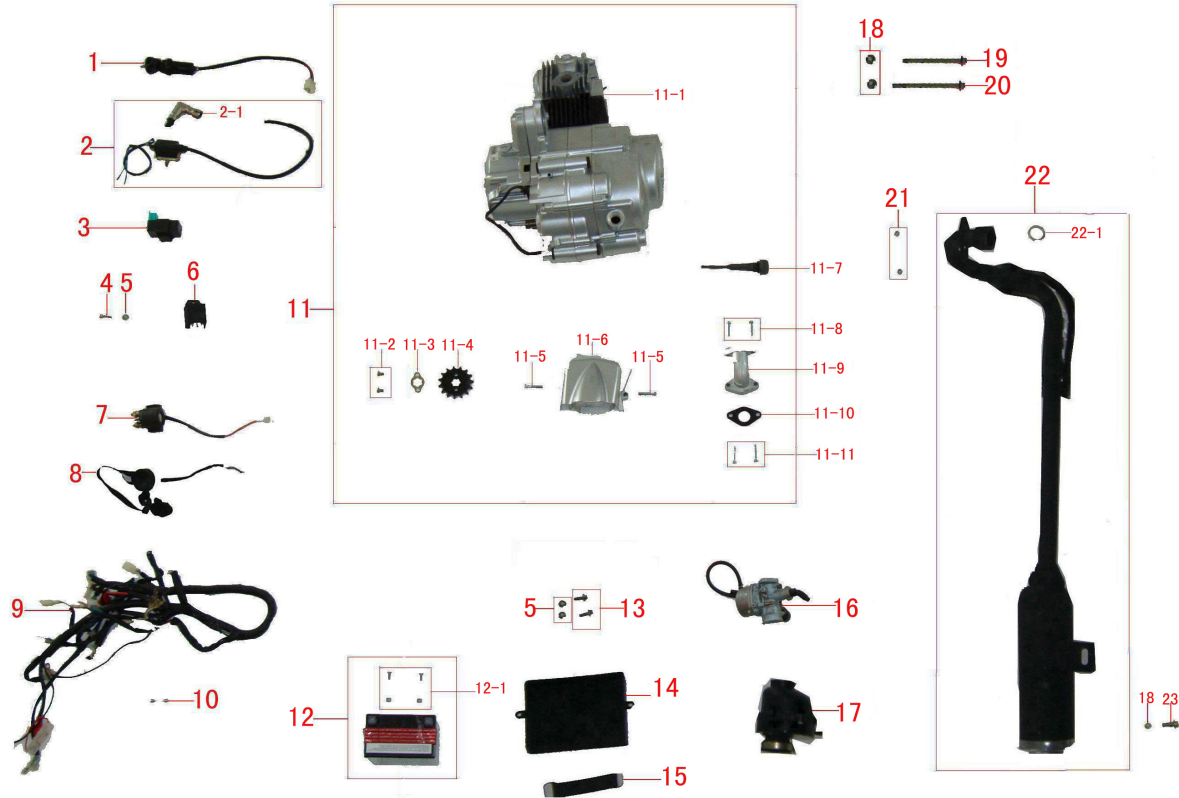


Fig 5: Elektriske dele & motor komponenter / electricals & engine parts

Ref. no.	PL nr / art. no.	Varenavn	Art. name	OE no.	Antal / pcs
5-1	9056988	Tändningsnyckel	Key switch	5.3.04.0020	1
5-2	9056989	Tändspole	Ignition coil	5.3.04.0092	1
5-2-1	9056990	Tändstiftshatt	Cap f/ignition coil	5.3.04.5000	1
5-3	9056991	Tändning	Ignition	5.3.02.0070	1
5-4	N/A		Bolt M6*12	0.01.00320	1
5-5	9050206	Mutter, M6	Nut M6	0.03.00220	1
5-6	9056992	Regulator	Regulator	5.3.02.0081	1
5-7	9056993	Relä	Relay	5.3.02.0050	1
5-8	9056994	Nödstopp kontakt	Emergency switch	5.3.02.0062	1
5-9	9056995	Ledningsnät	Main cable	5.3.06.0015	1
5-10	N/A		Fuse	5.3.02.0290	1
5-11	N/A		90cc engine assy	2.1.02.0024	1
5-11-1	N/A		90cc engine		1
5-11-2	N/A		Bolt M6*8	0.01.00020	2
5-11-3	N/A		Washer for gear	0.04.04930	1
5-11-4	N/A		Sprocket 428-14	2.1.02.1160	1
5-11-4	9056712	Tandhjul 12T	Sprocket 428-12		1
5-11-5	N/A		Bolt M6*32	0.01.00500	2
5-11-6	N/A		Engine side cover	7.6.0033	1
5-11-7	N/A		Oil level gauge	2.1.02.1320	1
5-11-8	9050221	Bult, M6x20	Bolt M6*20	0.01.11350	2
5-11-9	N/A		Intake pipeXS60	2.8.02.0021	1
5-11-10	N/A		Rubber washer for intake pipe	7.6.9004	1
5-11-11	N/A		Bolt M6*25	0.01.01400	2
5-12-1	9058968	Batteri	Battery	5.3.02.0240	1
5-12-1	N/A		Bolt for battery	7.6.9003	1
5-13	9050220	Bult, M6x16	Bolt M6*16	0.01.00420	1
5-14	9056996	batteriskydd	Battery cover	6.2.06.0060	2
5-15	9056997	Rem till batteri	Belt for battery	6.2.07.0060	1
5-16	9060643	Förgasare 70cc	Carburetor	2.8.03.0013	1
5-17	9056998	Luftfilter	Airfilter	2.5.03.1000	1
5-18	N/A		Nut M8 zinc plated	0.03.00120	1
5-19	N/A		Bolt m8*105 zinc plated	0.01.15520	2
5-20	N/A		Bolt m8*110 zinc plated	0.01.05920	1
5-21	N/A		Nut M6 zinc plated	0.03.02350	1
5-22	9056999	Ljuddämpare	Muffler	2.4.12.0011	4
5-22-1	N/A		Seal washer for muffler	0.01.0022	4
5-23	N/A		Bolt M8*16 Zinc plated	0.01.05120	2

Fig 6: Styringssystem / steering system

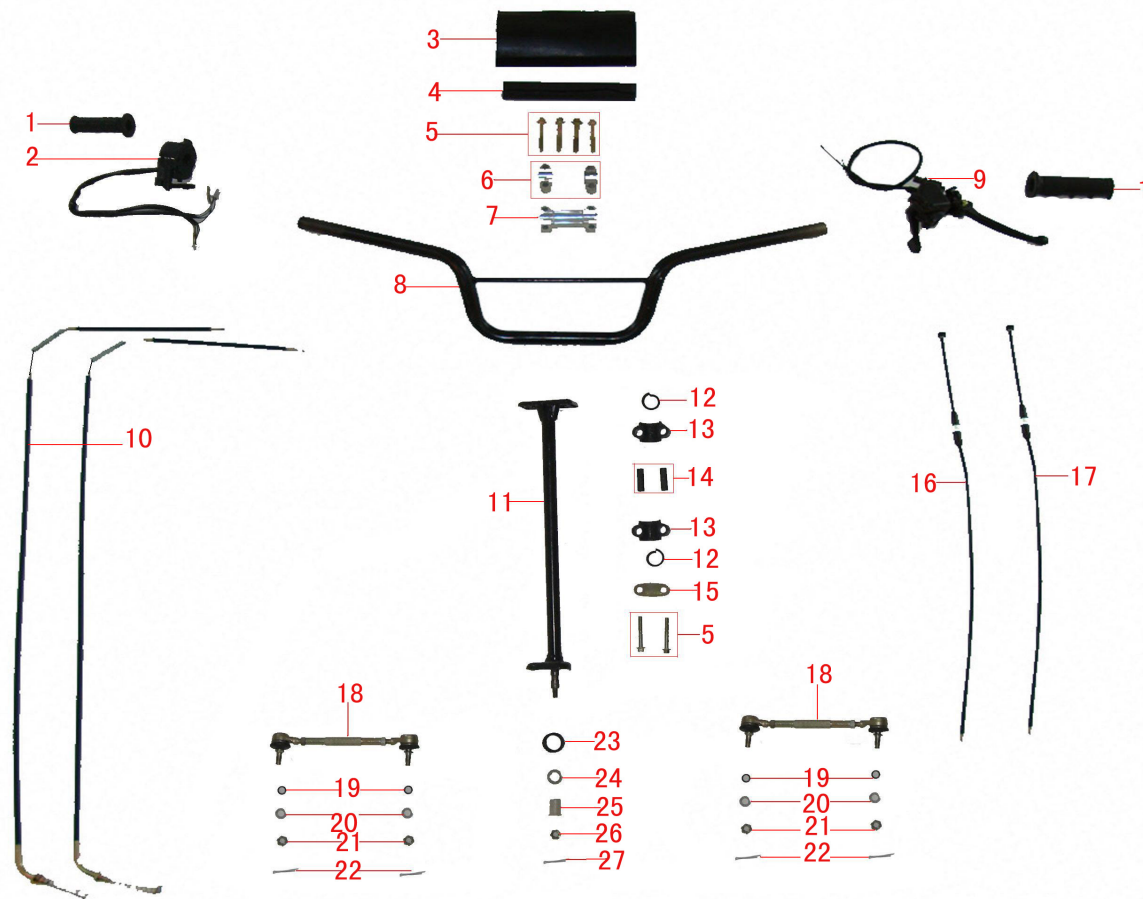


Fig 6: Styringssystem / steering system

Ref. no.	PL nr / art. no.	Varenavn	Art. name	OE no.	Antal / pcs
6-1	N/A		Handle cover(L/R)	4.4.02.0030	2
6-2	9057000	Multifunktionsknapp	Function button	5.3.03.0010	1
6-3	9057001	Skumskydd	Foam cover	7.8.02.0010	1
6-4	9057002	Skum	Foam	7.5.02.1750	1
6-5	N/A		Bolt M8*55	0.01.04720	6
6-6	N/A		Up block for handlebar	4.4.02.0020	2
6-7	N/A		Down block for handlebar	4.4.02.0080	1
6-8	N/A		Handlebar	4.4.06.0011	1
6-9	9057003	Bromshandtag	Brake level	4.3.02.0120	1
6-10	9057004	Bromskabel, främre	Front brake cable	4.5.02.0034	2
6-11	9057005	Styre, komplett	Steering assy	1.2.06.0011	1
6-12	N/A		Dustproof seal	1.2.02.0050	2
6-13	N/A		Dlipper for steering pole	1.2.02.0020	2
6-14	N/A		Sleeve for clipper	1.2.02.0040	2
6-15	N/A		Fixing panel for steering pole	1.2.06.0020	2
6-16	9057006	Choker kabel	Choke cable	4.5.02.0020	1
6-17	9057007	Kabel till gasregulering	Throttle cable	4.5.02.0010	1
6-18	9057008	Styrstag komplet	Tie rod	3.1.03.0030	2
6-19	N/A		Spring washer 10	0.04.00810	4
6-20	N/A		Washer 10	0.04.00450	4
6-21	N/A		Slotted nut M10	0.03.01820	4
6-22	N/A		Cotter pin 2.5*30	0.08.02100	4
6-23	N/A		Dustproof cover for steering pole	1.2.02.0070	1
6-24	N/A		Washer14*28*2	0.04.03050	1
6-25	N/A		PU cover	1.2.02.0060	1
6-26	N/A		Slotted nut M10*1.25	0.03.01820	1
6-27	N/A		Cotter pin 2.5*30	0.08.02100	1