

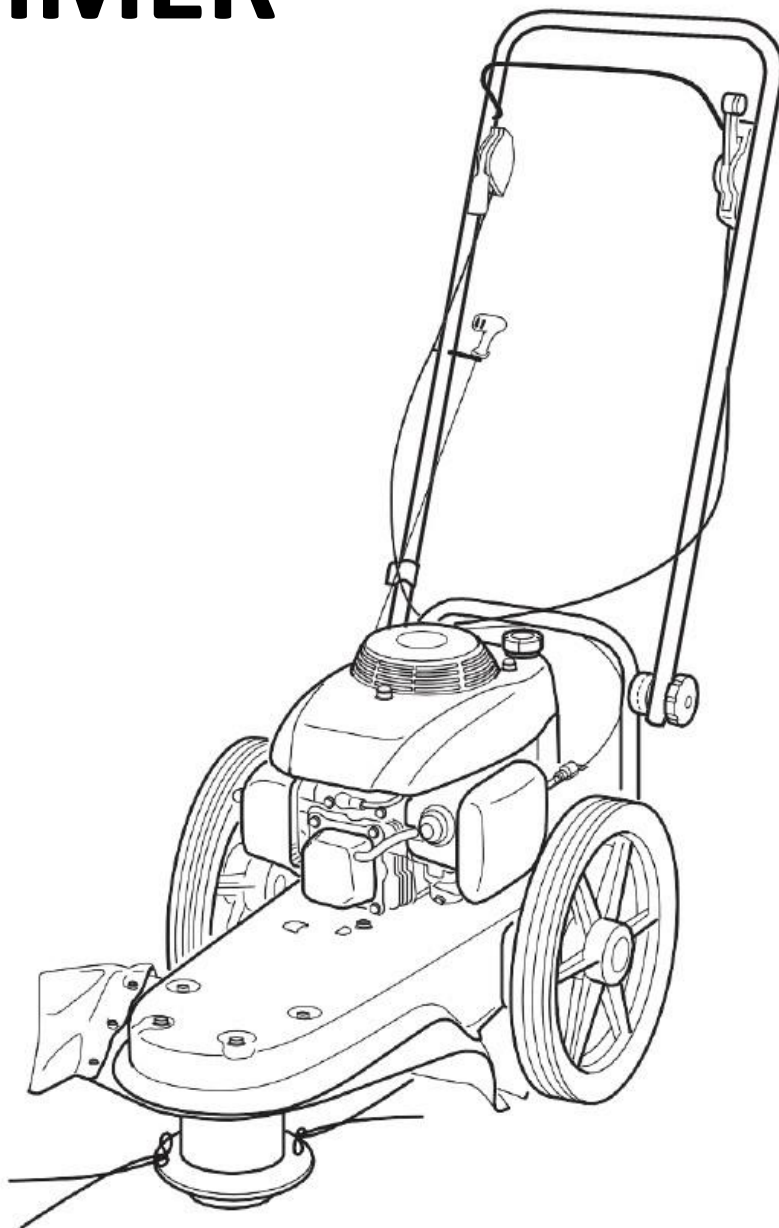
HAVE & PARK



GRÆSTRIMMER MED HJUL

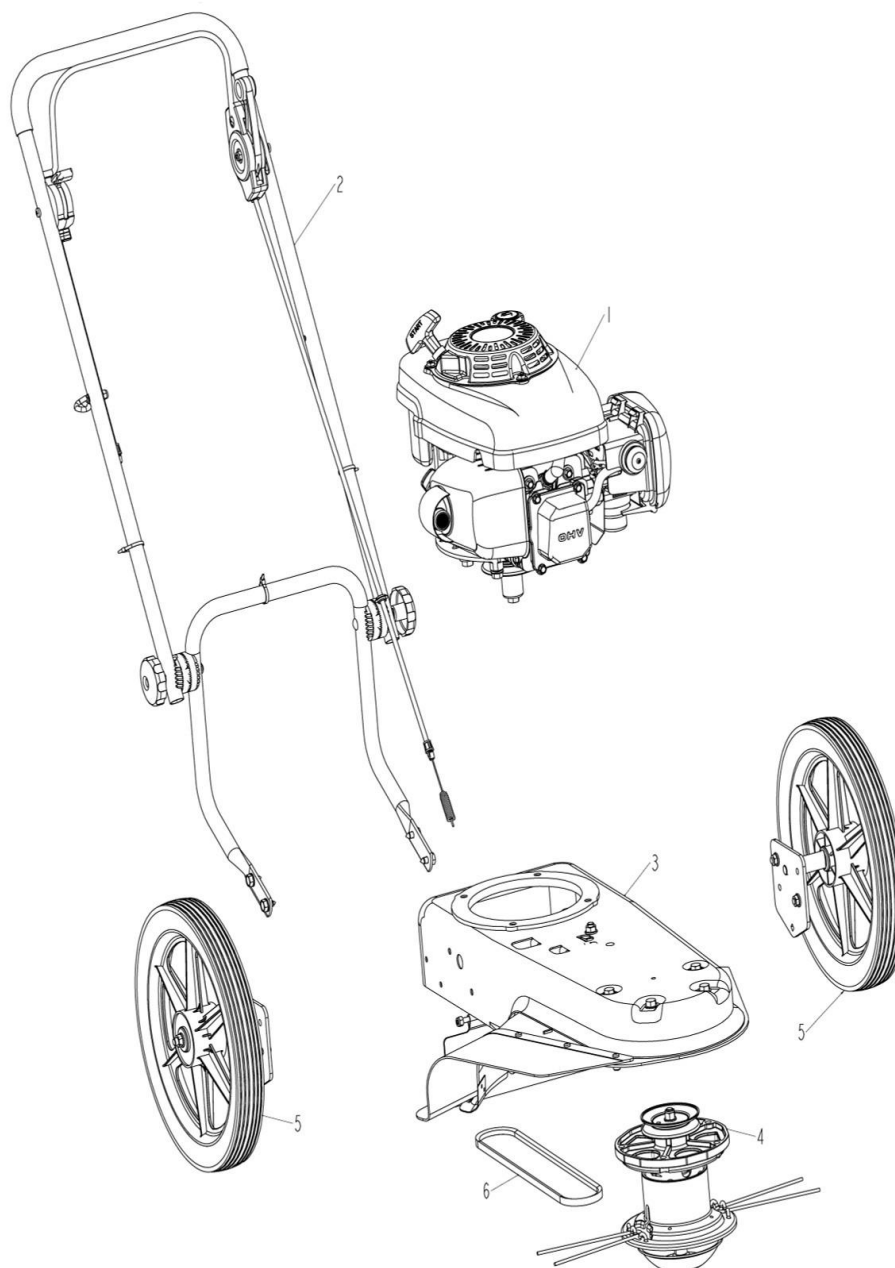
BENZINDREVET, 173CC

Reservedelskatalog til
9066898



01.02.2023 V1
revisionsdato: 15.02.2023

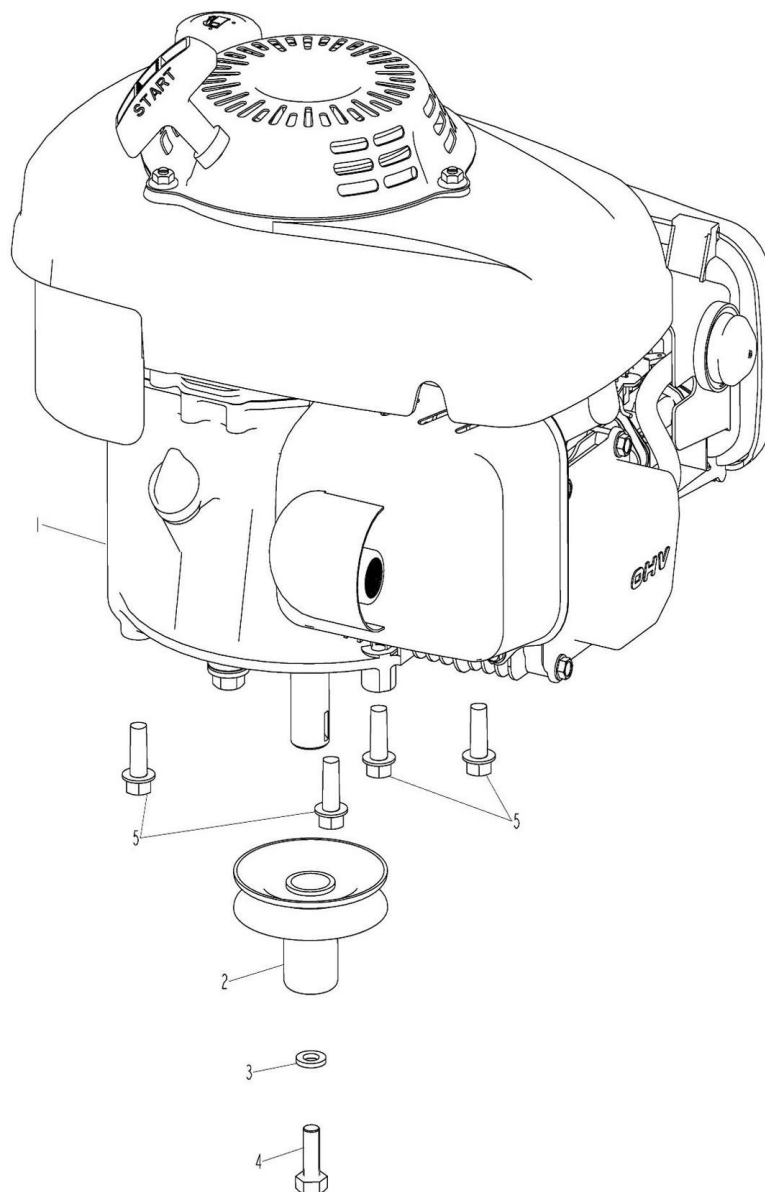
FIG 1 maskine



DELE TIL FIG 1

Pos	Varenr	Varenavn	Item name	OE-ref	Antal/qty
1	N/A	Motor, komplet	Engine top assy	XB51Y.01	1
2	N/A	Styr / håndtag, komplet	Handle assy	XB51Y.02	1
3	N/A	Skjold, komplet	Frame assy	XB51Y.04	1
4	9050555	Trimmerhoved, komplet	Cutting head assy	XB51Y.05	1
5	N/A	Hjul, komplet	Wheel assy	XB51Y.03	2
6	9050556	Kilerem, 9.5x1160	Belt	XB51Y.01-01	1

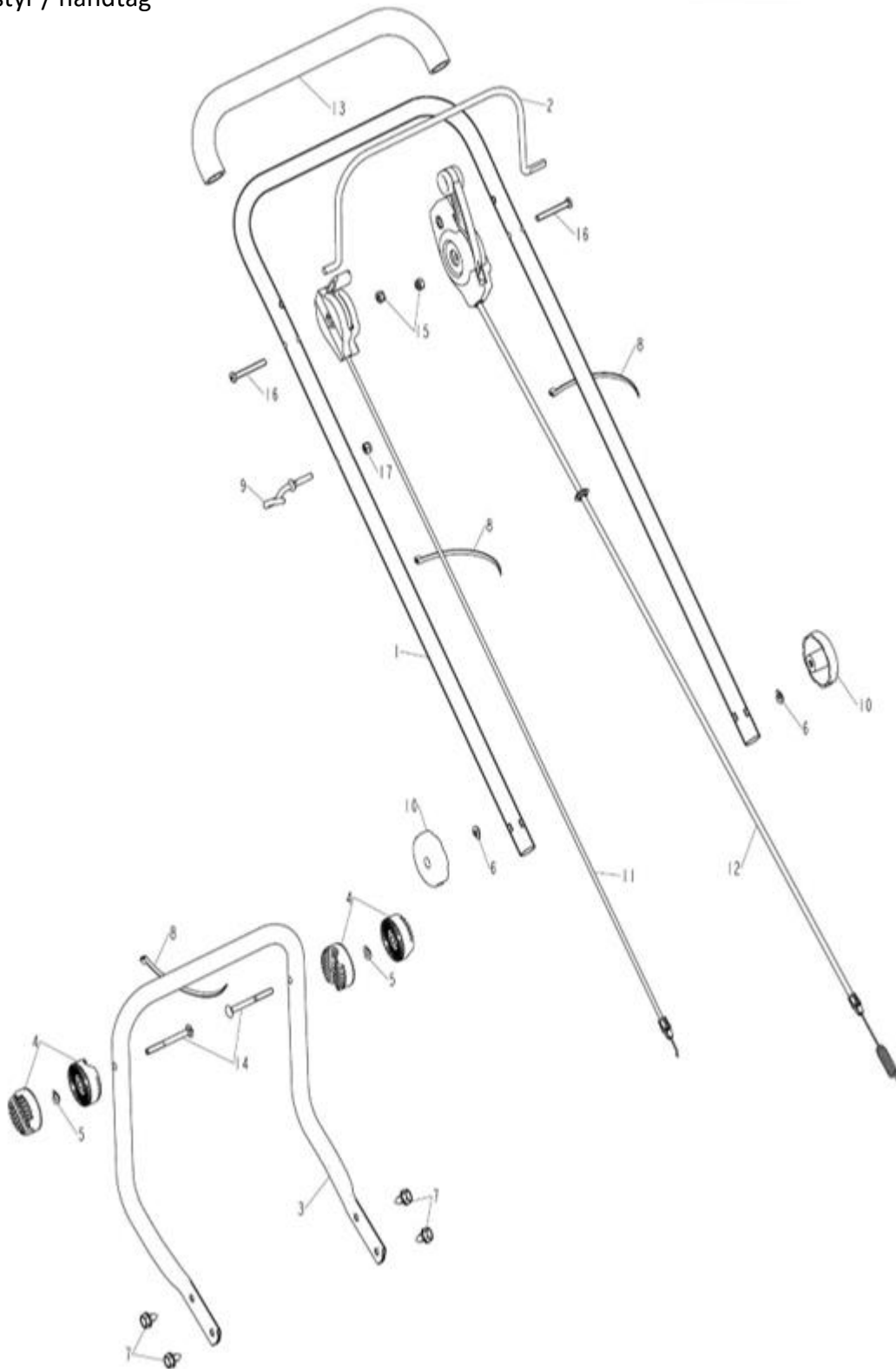
FIG 2 motor



DELE TIL FIG 2

Pos	Varenr	Varenavn	Item name	OE-ref	Antal/qty
1	N/A	Motor, komplet	Engine, assy	XB51Y.01	1
2	N/A	Remskive, motor	Pulley, engine	XB51Y.01.01A	1
3	N/A	Låsering	Lock washer, Ø10	GB93-87 φ10	1
4	N/A	Bolt 3/8-24x1	Bolt, hex head, 3/8-24x1	QJ1P64FJV-3.5-6	1
5	N/A	Bolt 3/8-16x1	Screw, engine, 3/8-16x1	QJ1P64FJV-3.17.5-6B	4
N/A	9067377	Komplet pakningssæt (9 stk)	Gasket set		1

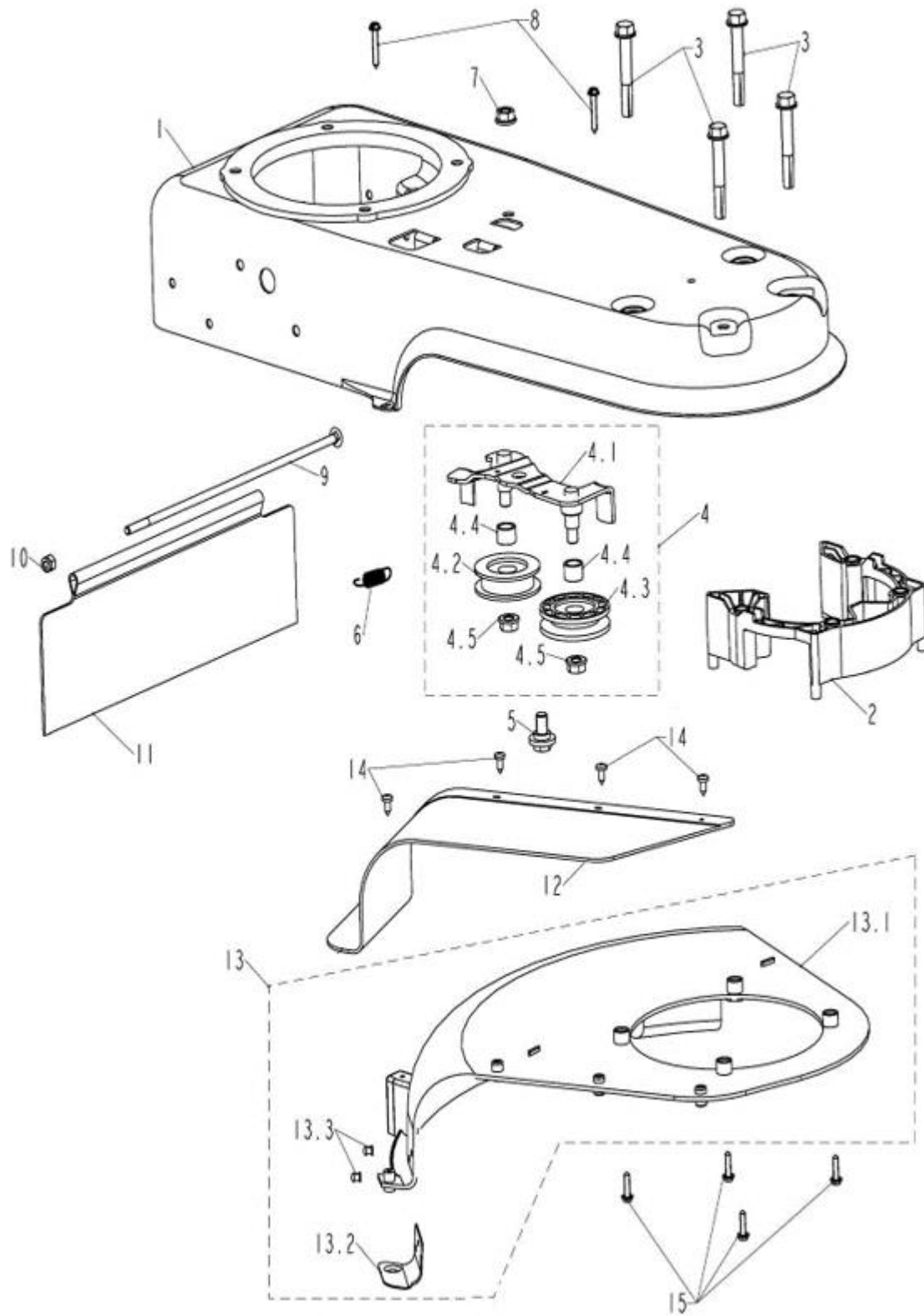
FIG 3 styr / håndtag



DELE TIL FIG 3

Pos	Varenr	Varenavn	Item name	OE-ref	Antal/qty
1	N/A	Håndtag, øverste del	Upper handle	XB51Y.02-01	1
2	N/A	Stop bøjle	Lever, stop	XB51Y.02-02	1
3	N/A	Håndtag, nederste del	Lower handle	XB51Y.02-03	1
4	9050557	Hakskive sæt	Pivot, handle	XB517.02-04	4
5	N/A	Fjederskive	Spring washer	XB51Y.02-05	2
6	N/A	Planskive	Washer	XB51Y.02-06	2
7	N/A	Bolt, 5/16-18x.62 HHWA TAP	Screw, 5/16-18x.62 HHWA TAP	XB51Y.02-07	4
8	9035463	Kabelbinder	Tie, cable	XB51Y.02-08	3
9	N/A	Holder	Guide, rope	XB51Y.02-09	1
10	9050558	Drejegreb, styr	Knob, handle	XB51Y.02.01	2
11	9067380	Gaskabel, komplet	Control, throttle	XB51Y.02.02LX	1
12	9050477	Kabel/håndtag	Cable, control latching	XB51Y.02.03	1
13	9050560	Skumbeskytter	Tubing, foam	XSZ48B.2-8	1
14	N/A	Bræddebolt, M8x85	Carriage bolt, M8x85	GB/T14-13 M8*85	2
15	9050213	Låsemøtrik, M6	Nylon lock nut, M6	GB/T6182-2010 M6	2
16	N/A	Bolt, PHPN M6x50	Screw, PHPN M6x50	GB/T818-2000 M6x50	2
17	N/A	Møtrik	Nut, 1/4-20	XSSL46A-03-28	1

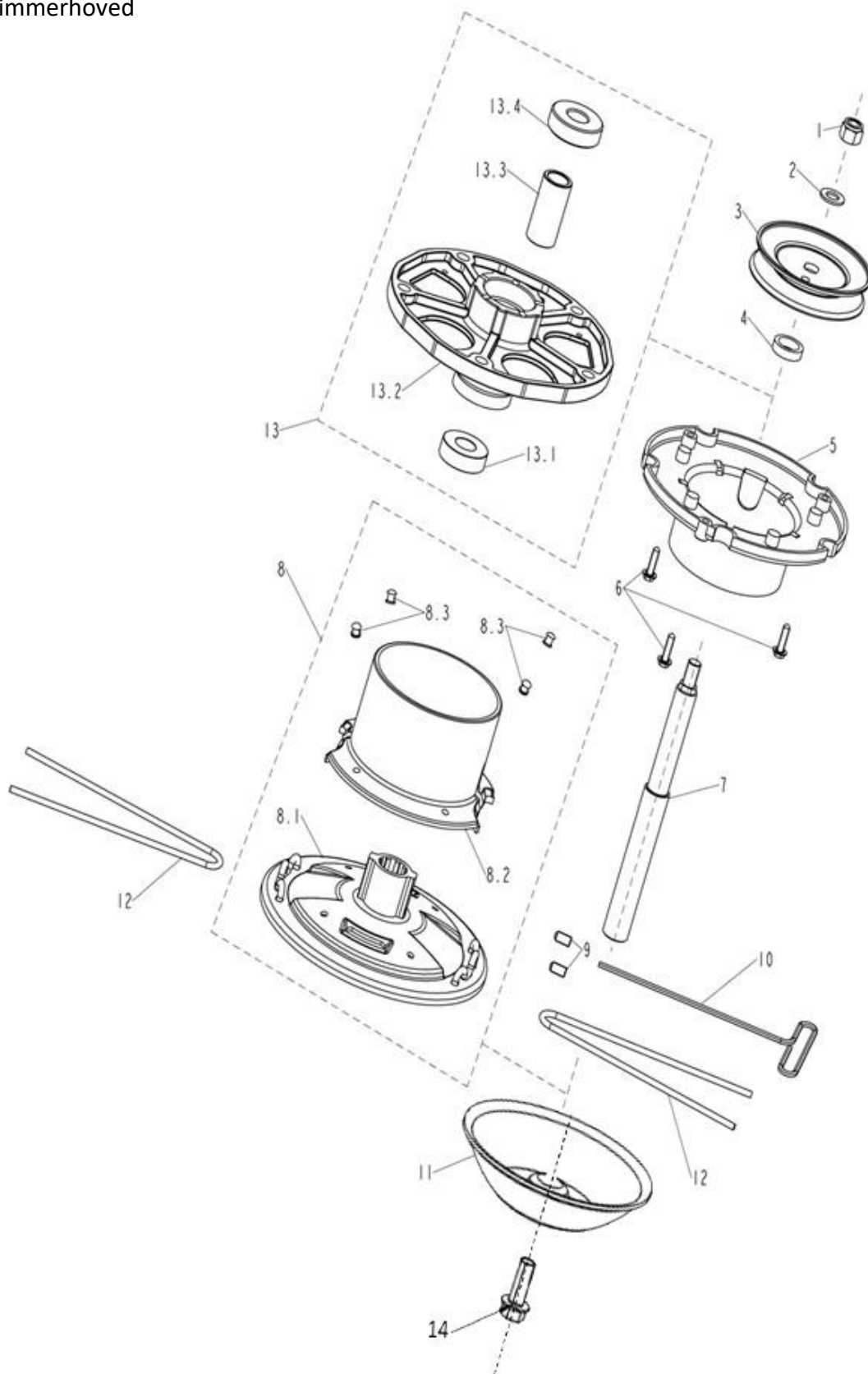
FIG 4 skjold



DELE TIL FIG 4

Pos	Varenr	Varenavn	Item name	OE-ref	Antal/qty
1	N/A	Ramme	Frame, trimmer	XB51Y.04-01	1
2	9050562	Skærm for remskive	Spacer, drive belt	XB51Y.04.01	1
3	N/A	Bolt, 3/8-16x2.5 HXWATAP	Screw, 3/8-16x2.5 HXWATAP	XB51Y.04-02	4
4	9050563	Remstrammersæt	Bracket, idler assy	XB51Y.04.02	1
5	N/A	Bolt, HSHH	Bolt, HSHH	XB51Y.04-03	1
6	9050564	Fjeder	Spring, extension	XB51Y.04-04	1
7	9050215	Låsemøtrik, M10	Lock nut, M10	GB/T6182-2010	1
8	N/A	Bolt, #10-16x1.25	Screw, #10-16x1.25	XB51Y.04-08	2
9	N/A	Brædebolt, M6x283	Carriage bolt, M6x283	GB/T14-13	1
10	9050213	Låsemøtrik, M6	Nylon lock nut, M6	GB/T6182-2010	1
11	N/A	Beskyttelsesplade	Shield, trailing	XB51Y.04-05	1
12	N/A	Forlænger t/skjold	Flap, depris	XB51Y.04-06A	1
13	9050566	Trimmerskærm, komplet	Shield assy	XB51Y.04.03	1
13.1	N/A	Skærm	Shield, trimmer	XB51Y.04.03-01	1
13.2	9050567	Kniv for trimmersnøre	Blade	XB51Y.04.03-02	1
13.3	N/A	Nitte	Sleeve	JF142F.10-3	2
13.4	N/A	Bolt, M5x25	Bolt, M5x25	GB/T818-2000	2
13.5	N/A	Møtrik, M5	Nut, M5	GB/T6182-2010	2
14	N/A	Bolt, ST4.8x12	Screw, ST4.8x12	XB51Y.04-11	4
15	N/A	Bolt, #10-16x.75	Screw, #10-16x.75	XB51Y.04-09	4

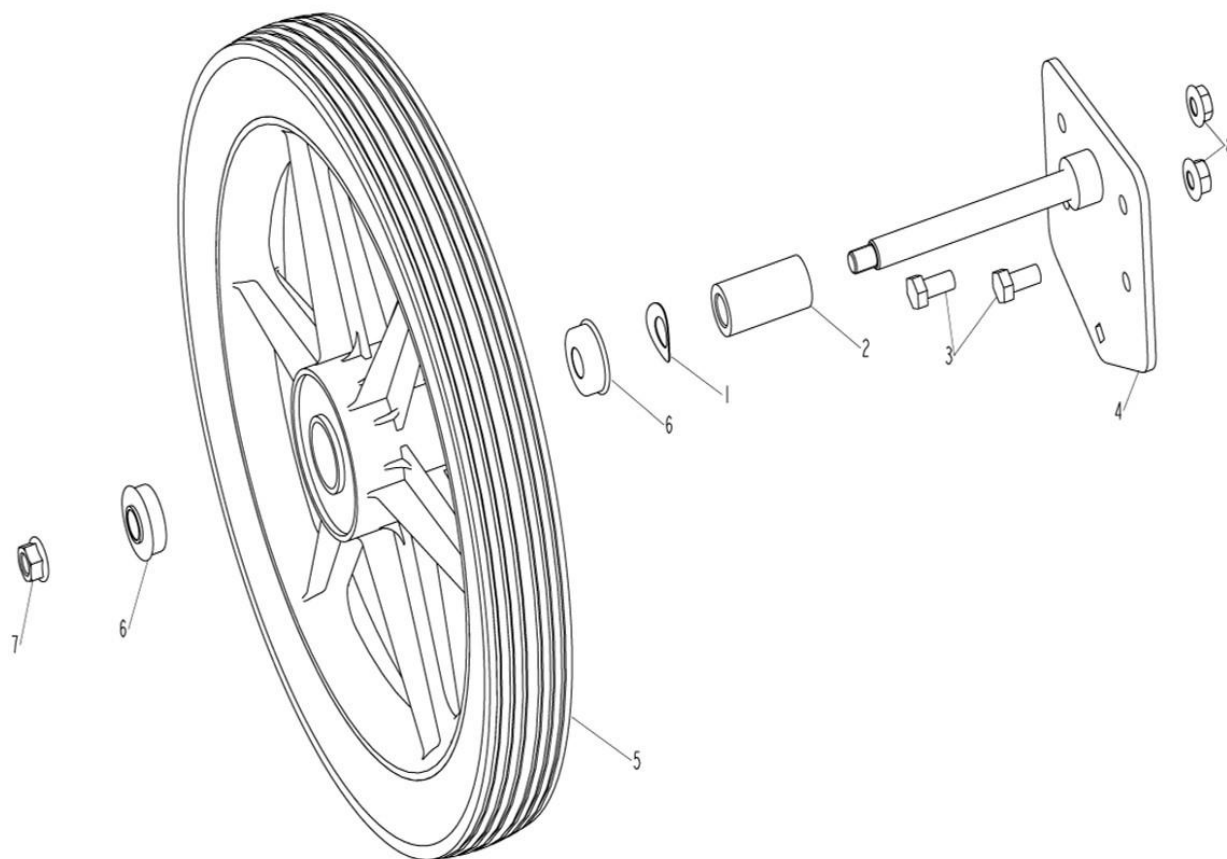
FIG 5 trimmerhoved



DELE TIL FIG 5

Pos	Varenr	Varenavn	Item name	OE-ref	Antal/qty
1	N/A	Møtrik, M10x1.25	Nut, M10x1.25	GB/T6182-2010 M10x1.25	1
2	9050203	Planskive, Ø10	Washer, flat Ø10	GB/T95-02 Ø10	1
3	N/A	Remskive	Pulley, cutting head	XB51Y.05-02	1
4	N/A	Afstandsstykke	Spacer	XB51Y.05-03	1
5	N/A	Øvre hus	Wrap weed, upper BLK	XB51Y.05-04	1
6	N/A	Bolt, #10-16x.75	Screw, #10-16x.75	XB51Y.04-09	3
7	N/A	Aksel	Shaft, cutting head	XB51Y.05-01	1
8	9050568	Trimmerhoved, komplet	Cutter head & wrap assy	XB51Y.05.03A	1
9	N/A	Bolt, M6x12	Screw, M6x12	XB51Y.05-07	2
10	N/A	T-nøgle (til snøre)	Wrench, T-handle	XB51Y.07.01-01	1
11	9067381	Bundskål	Guide, height	XB51Y.05.02-01	1
12	9035778	Trimmersnøre	Line, trimmer	XB21Y.07-10	2
13	N/A	Ophæng, komplet	Jackshaft housing assy	XB51Y.05.01	1
13.1	9050570	Leje, 99502	Bearing, 99502	GB/T276 99502	1
13.2	N/A	Ophæng	Housing, jackshaft	XB51Y.05.01-01	1
13.3	N/A	Afstandsstykke	Spacer	XB51Y.05.01-02	1
13.4	9050571	Leje, 6203-2DLRS-5/8	Bearing, 6203-2DLRS-5/8	GB/T276.6203-2DLRS-5/8	1
14	9050231	Bolt, M8x20	Bolt, M8x20	Q180-2012/M8X20/10.9	1

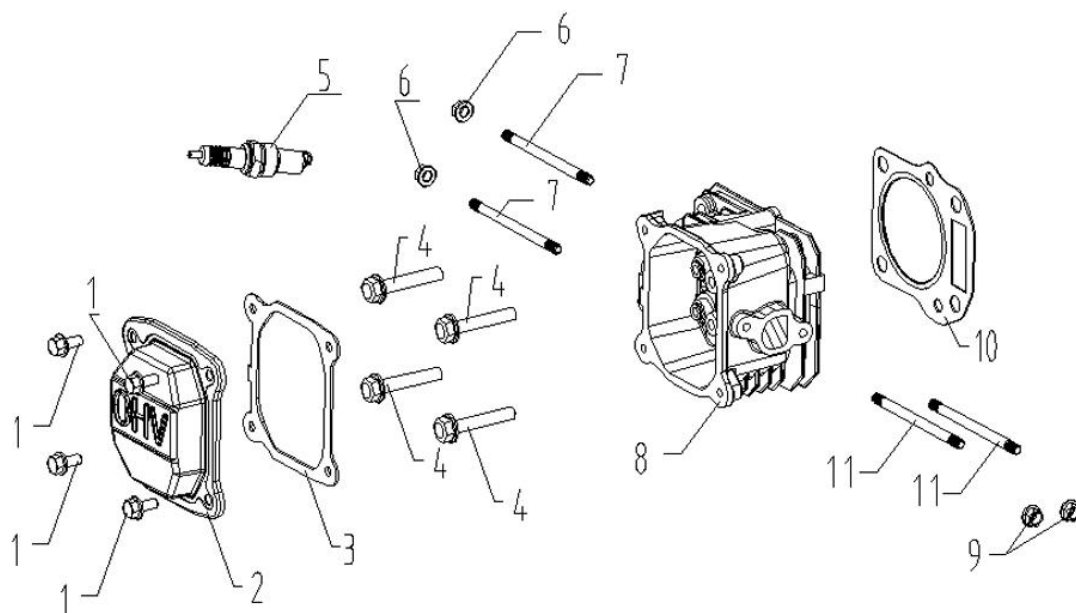
FIG 6 hjul



DELE TIL FIG 6

Pos	Varenr	Varenavn	Item name	OE-ref	Antal/qty
1	N/A	Fjederskive	Washer, spring	XB51Y.03-02	1
2	N/A	Afstandsstykke	Spacer	XB51Y.03-01	1
3	9050230	Bolt, M8x16	Bolt, hex head M8x16	GB/T5783-2000	2
4	9060665	Hjulaksel	Axle & bracket	XB51Y.03.01	1
5	9050572	Hjul	Wheel & tire	XB51Y.03.02.01	1
6	9050573	Hjulleje	Bearing	XB51Y.03.02-01	2
7	9050215	Låsemøtrik, M10	Lock nut, M10	GB6187.1-2000	1
8	9050207	Møtrik, M8	Nut, M8	GB6177.1-2000	2

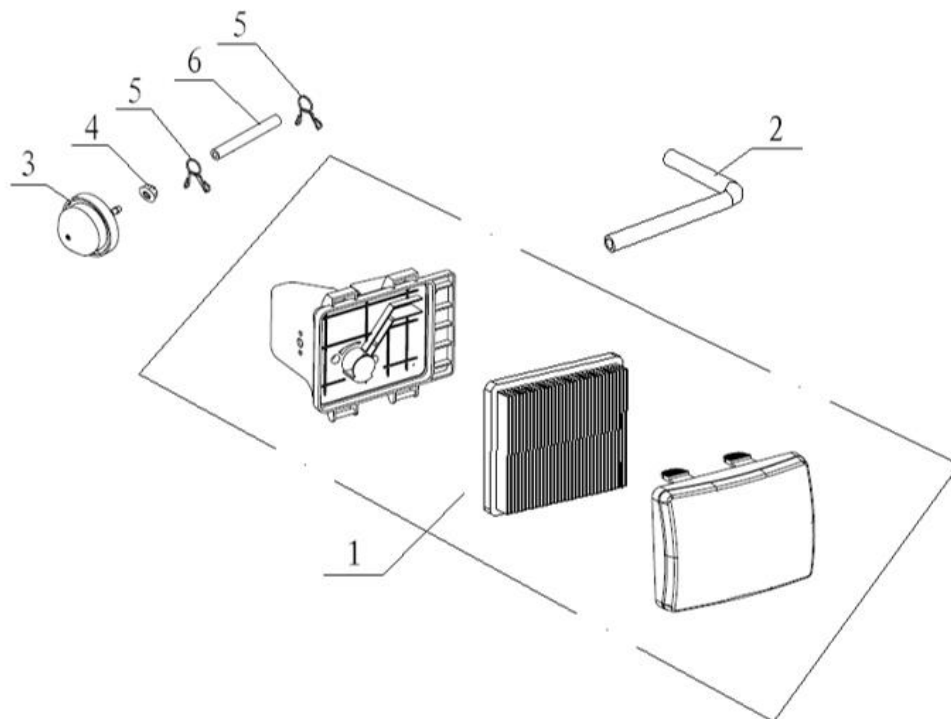
FIG 7 topstykke



DELE TIL FIG 7

Pos	Varenr	Varenavn	Item name	OE-ref	Antal/qty
1	N/A	Bolt, M6x14	Bolt, M6x14	GB/T5789	4
2	N/A	Dæksel	Cylinder head cover	JF1P65FJV-2.1-1	1
3	N/A	Pakning	Seal, cylinder head cover	JF1P65FJV-2.1-2	1
4	9050234	Bolt, M8x50	Bolt, M8x50	GB/T5789	4
5	9043347	Tændrør	Spark plug (F6RTC)	QJ182QDP.02.04	1
6	9050206	Møtrik, M6	Nut, M6	GB/T6187.1	2
7	N/A	Endestuds, udstødning	Double end stud, exhaust	JF1P65FJV-2.1-5(B)	2
8	N/A	Toppakning, komplet	Cylinder head assy	JF1P70FKV.1.1	1
9	9050206	Møtrik, M6	Nut, M6	GB/T6177.1	2
10	N/A	Cylinderpakning	Gasket, cylinder	JF1P70FKV.1-3	1
11	N/A	Endestuds, indtag	Double end stud, intake	JF1P65FJV-2.1-4	2

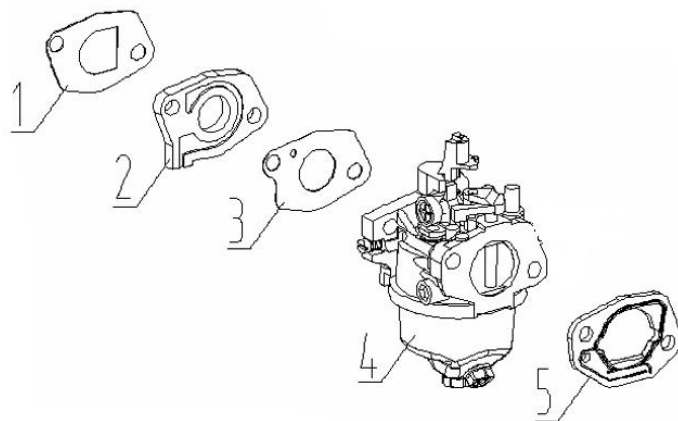
FIG 8 luftfilter



DELE TIL FIG 8

Pos	Varenr	Varenavn	Item name	OE-ref	Antal/qty
1	9067382	Luftfilter, komplet	Air filter, assy	JF1P65FJV-2KC.13.1	1
2	N/A	Rør	Tie-in tube	JF1P70FKV.13-1(B)	1
3	9067383	Primerbold	Fuel feeder, assy	P21-07-10	1
4	9050206	Møtrik, M6	Nut, M6	GB/T6177.1	1
5	N/A	Spændebånd	Clip, tube Ø7	P23-08-14	2
6	N/A	Benzinslange	Fuel line	N/A	1

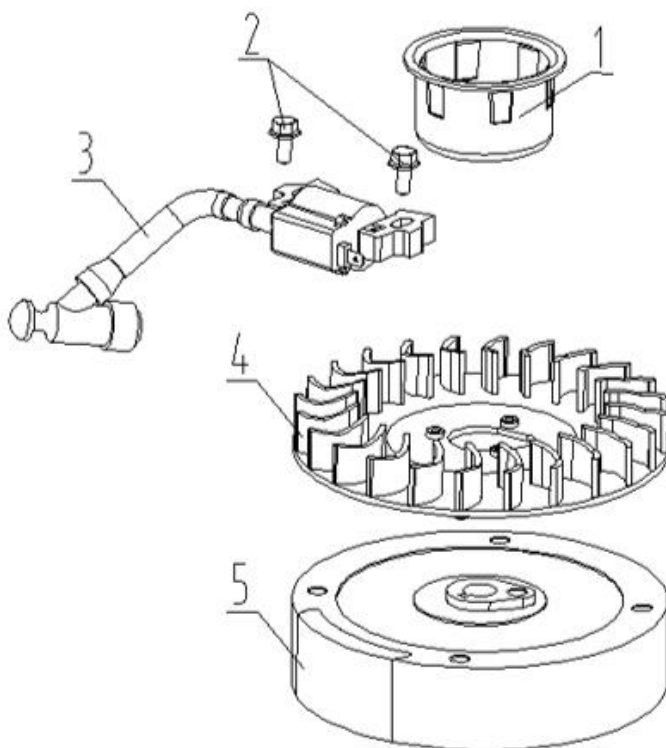
FIG 9 karburator



DELE TIL FIG 9

Pos	Varenr	Varenavn	Item name	OE-ref	Antal/qty
1	N/A	Pakning	Paper gasket, intake	JF1P65FJV-2.11-1	1
2	N/A	Pakning	Carburetor joint	JF1P65FJV-2.11-2	1
3	N/A	Pakning	Gasket, carburetor	JF1P65FJV-2.11-3	1
4	9067384	Karburator	Carburetor assy	JF1P70FKV.9.1(B)	1
5	N/A	Pakning	Air filter joint	JF1P65FJV-2.11-4	1

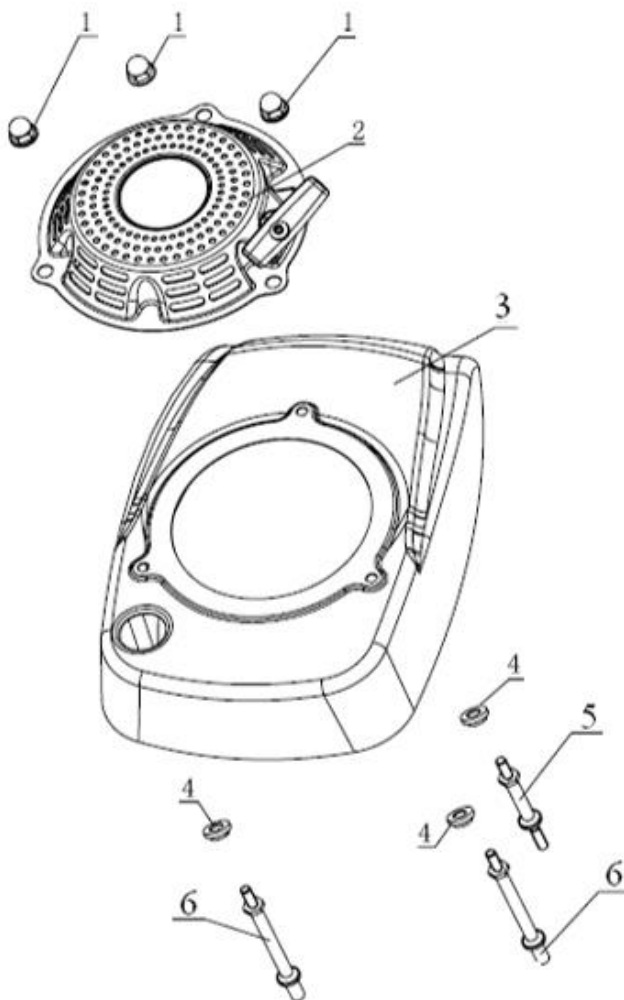
FIG 10 tænding



DELE TIL FIG 10

Pos	Varenr	Varenavn	Item name	OE-ref	Antal/qty
1	N/A	Medbringer	Start-up ratchet gear	JF1P65FJV-2.10-1	1
2	9040315	Bolt, M6x25	Bolt, M6x25	GB/T5789	2
3	9067385	Tændspole	Ignition coil assy	JF1P70FKV.8.2	1
4	N/A	Blæser	Fan	JF1P65FJV-2.10-2	1
5	N/A	Svinghjul	Fly wheel assy	JF1P70FKV.8.1	1

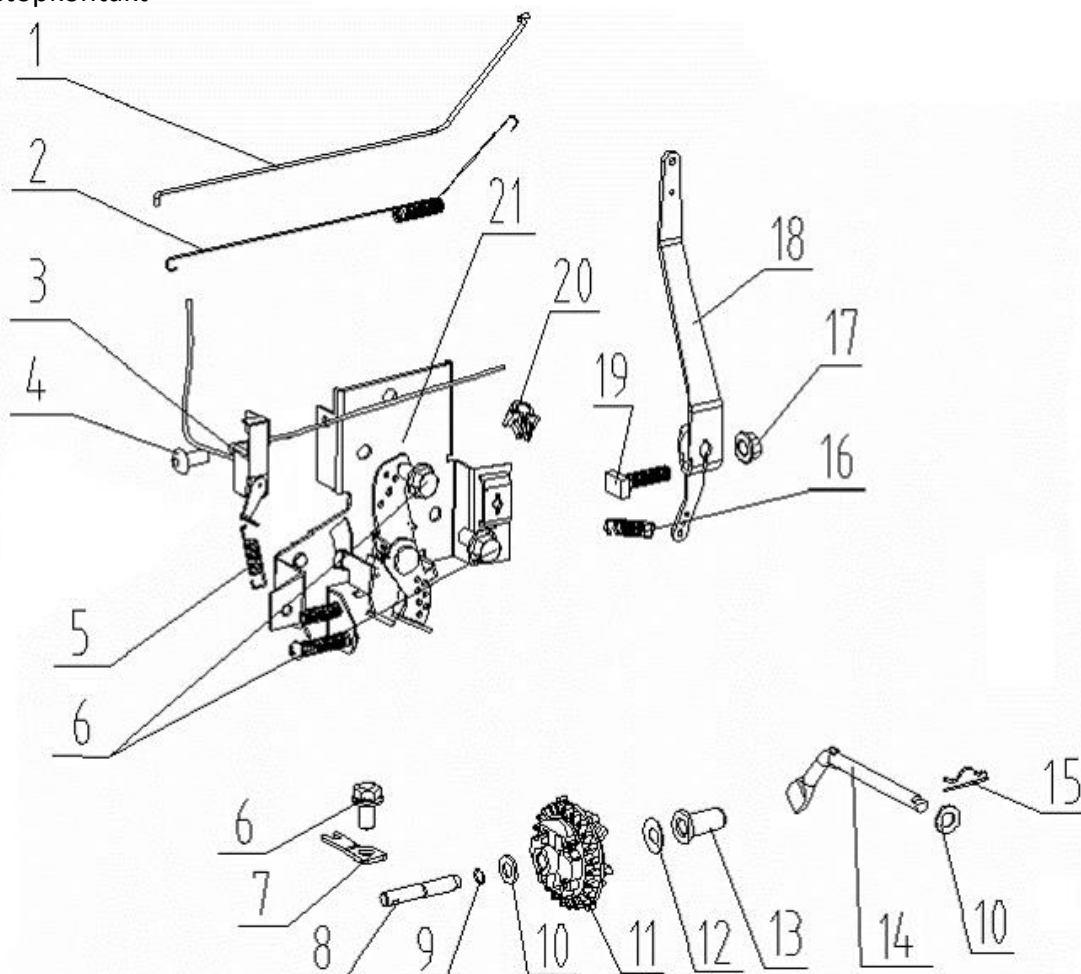
FIG 11 rekylstart



DELE TIL FIG 11

Pos	Varenr	Varenavn	Item name	OE-ref	Antal/qty
1	N/A	Topmøtrik	Acorn nut	1P64FJV-3.8.1-9	3
2	9050581	Rekylstart	Starter assy	ZJ1P64FJV.10.1.1(B)	1
3	N/A	Skjold	Engine shield	JF1P70FKV-C.7.1	1
4	N/A	Skive	Double end stud 1	JF1P70FKV-C.7-1	1
5	N/A	Støttebolt	Double end stud 2	JF1P70FKV-C.7-2	1
6	N/A	Støttebolt	Double end stud 2	JF1P70FKV-C.7-3	1

FIG 12 stopkontakt

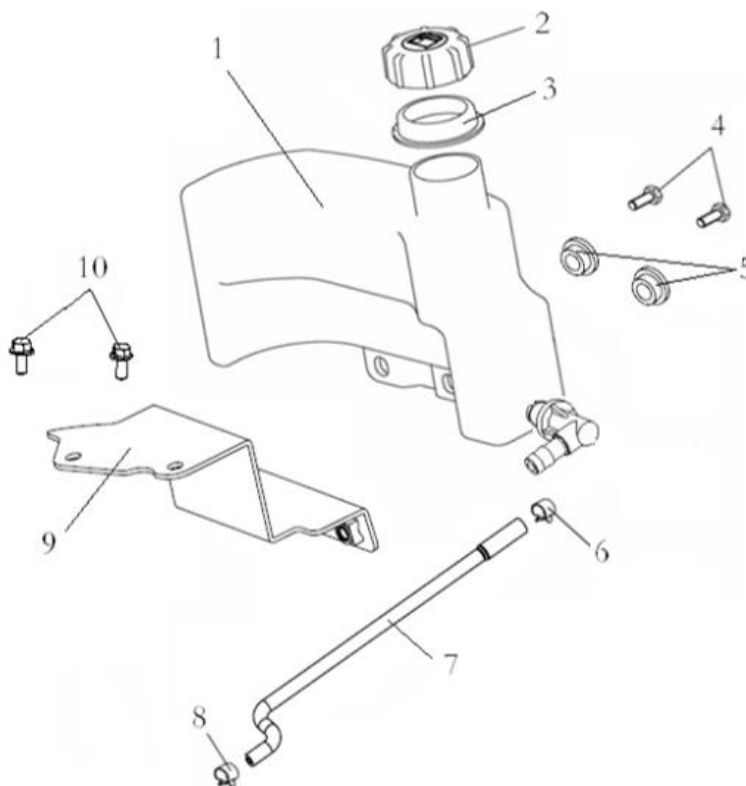


DELE TIL FIG 12

Pos	Varenr	Varenavn	Item name	OE-ref	Antal/qty
1	N/A	Gastræk	Steel wire nutted rod, tension	JF1P65FJV-2.7-1	1
2	N/A	Trækfjeder, gas	Tension spring, throttle	JF1P65FJV-2.7-2	1
3	N/A	Kontakt	Magnetic control switch, assy	JF1P65FJV-2.7.3(B)	1
4	N/A	Skrue, M4x8	Screw, M4x8	GB/T818	1
5	N/A	Trækfjeder, kontakt	Tension spring, switch	JF1P65FJV-2.7-12	1
6	9049325	Bolt, M6x12	Bolt, M6x12	GB/T5789	3
7	N/A	Clamp	Clamp	JF1P65FJV-2.7-9	1
8	N/A	Aksel	Timing gear axle	JF1P70FKV.6.2-4	1
9	N/A	Holdefjeder	Retaining ring	JF1P65FJV-2.7.2-3	1
10	N/A	Skive (Φ6.6×Φ12.8×1)	Washer (Φ6.6×Φ12.8×1)	QJ1P64.13.02-05	2
11	N/A	Stopkontakt	Governor assy	JF1P65FJV-2.7.2.1	1
12	N/A	Skive (Φ6.2×Φ15×0.5)	Washer 3 (Φ6.2×Φ15×0.5)	QJ168QDJ.05-08	1
13	N/A	Bolt	Bolt	JF152FFH.06-08	1

14	N/A	Skiftegaffel	Shifting fork	JF1P70FKV.6-4	1
15	N/A	Clip, rør	Clip, tube	JF1P65FJV-2.7-8	1
16	N/A	Trækfjeder	Tension spring	JF1P65FJV-2.7-4	1
17	9050206	Møtrik, M6	Nut, M6	GB/T6177.1	1
18	N/A	Spindel	Idle rod	JF1P65FJV-2.7-5	1
19	N/A	Bræddebolt	Coach bolt	JF1P65FJV-2.7-6	1
20	N/A	Clips	Deduct button	JF1P65FJV-2.7-11	1
21	N/A	Konsol	Fixing controller assy	JF1P65FJV-2.7.1	1

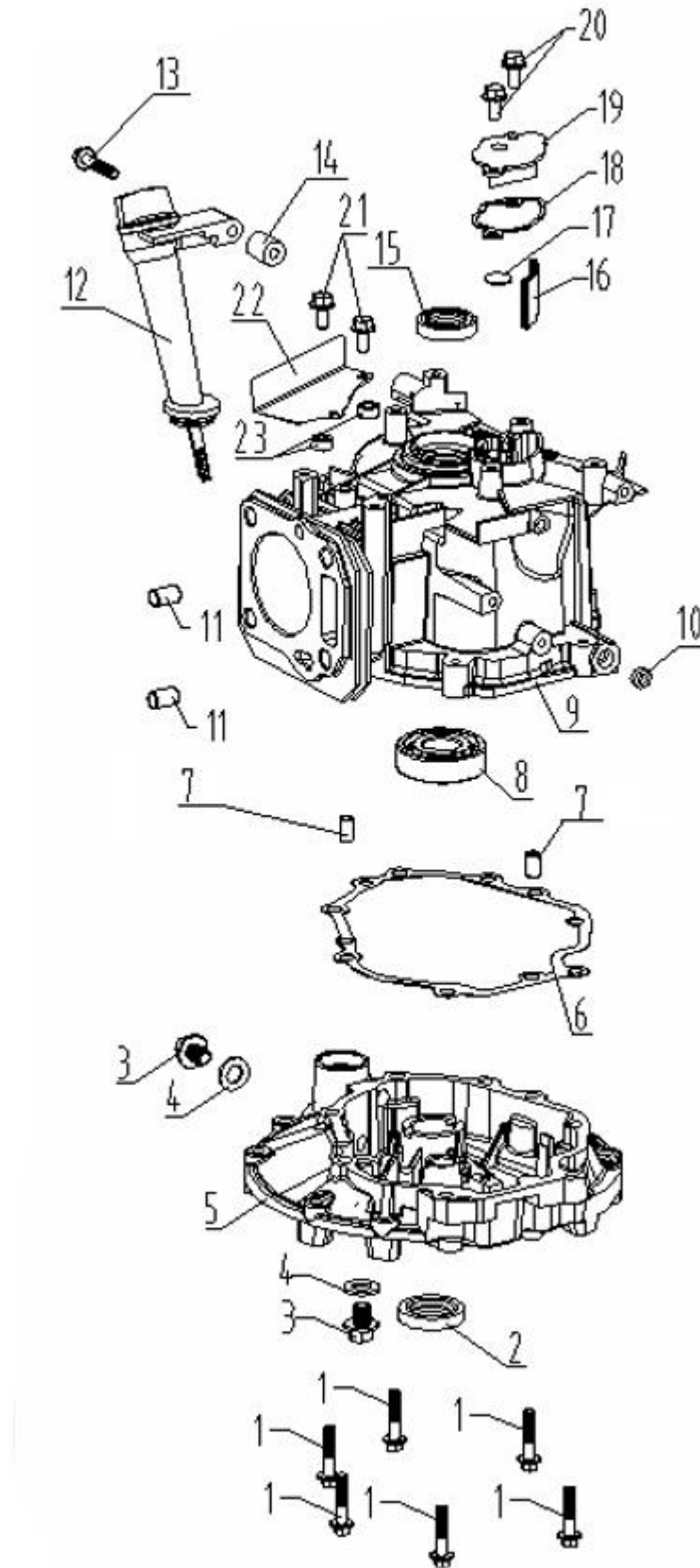
FIG 13 benzintank



DELE TIL FIG 13

Pos	Varenr	Varenavn	Item name	OE-ref	Antal/qty
1	9050584	Brændstoftank	Fuel tank	JF1P64F-B.14.01(B)	1
2	9050583	Tankdæksel	Fuel tank cap	JF1P64F-B.14.02	1
3	N/A	Pakning	Position fix ring	QJ1P64.14-01	1
4	9050220	Bolt, M6x16	Bolt, M6x16	GB/T5789	2
5	N/A	Bøsning	Bolt hole cover	ZJ1P64FJV.10-1	2
6	N/A	Spændebånd Φ 10.5	Anchor ear, fuel pipe, Φ 10.5	JF1P65FJV-2.14-12	1
7	N/A	Brændstofslange	Fuel pipe	JF1P70FKV-C.10-1	1
8	N/A	Spændebånd Φ 8	Anchor ear, fuel pipe, Φ 8	JF168FJH-15.05-08	1
9	N/A	Beslag	Fuel tank bracket	JF1P70FKV-C.10.1	1
10	9049325	Bolt, M6x12	Bolt, M6x12	GB/T5789	2

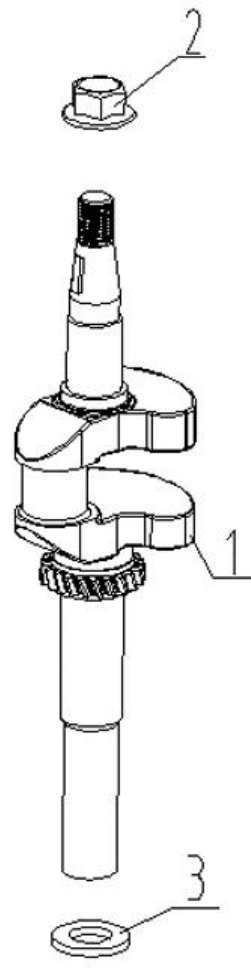
FIG 14 krumtaphus



DELE TIL FIG 14

Pos	Varenr	Varenavn	Item name	OE-ref	Antal/qty
1	9050234	Bolt, 8x50	Bolt, M8x50	GB/T5789	6
2	9025555	Pakdåse Ø25xØ40x7	Oil seal, Ø25xØ40x7	JF1P70FKV.3.4	1
3	N/A	Bundprop	Oil drain plug	JF1P65FJV-2.3-8	2
4	N/A	Skive t/bundprop	Washer, oil drain plug	JF1P65FJV-2.3-9	2
5	N/A	Dæksel	Crankcase cover	JF1P70FKV.3.6	1
6	N/A	<i>Pakning</i>	<i>Gasket, crankcase</i>	<i>JF1P70FKV.3-7</i>	<i>1</i>
7	N/A	Pin, Ø8x14	Aligning pin, Ø8x14	157.3-8	2
8	9038576	Leje, 6205/P53	Bearing, 6205/P53	GB/T276	1
9	N/A	Krumtaphus, komplet	Crankcase, assy	JF1P70FKV.3.1	1
10	N/A	Pakdåse Ø6xØ11x4	Oil seal, Ø6xØ11x4	JF1P65FJV-2.3.3	1
11	N/A	Pin, Ø10x14	Aligning pin, Ø10x14	157FM.4-6	2
12	N/A	Oliepind	Oil dip rod assy	JF1P65FJV-2.3.5	1
13	9050224	Bolt, M6x50	Bolt, M6x50	GB/T5789	1
14	N/A	Bøsning	Partition cover	JF1P65FJV-2.3-11	1
15	N/A	Pakdåse Ø25xØ38x6	Oil seal, Ø25xØ38x6	JF1P65FJV-2.3.4	1
16	N/A	Plade	Clapboard, ventilator	JF1P65FJV-2.3-2	1
17	N/A	Ring	Clapboard, ventilator	JF1P70FKV.3-3	1
18	N/A	<i>Pakning</i>	<i>Seal, ventilator</i>	<i>JF1P70FKV.3-4</i>	<i>1</i>
19	N/A	Dæksel	Cover board, ventilator	JF1P70FKV.3-5	1
20	9049325	Bolt, M6x12	Bolt, M6x12	GB/T5789	2
21	9040315	Bolt, M6x25	Bolt, M6x25	GB/T5789	2
22	N/A	Køleplade	Wind shield	JF1P65FJV-2E.3-12	1
23	N/A	Afstandsøsning	Spacer bush, brake branch	JF1P65FJV-2.6-1	2

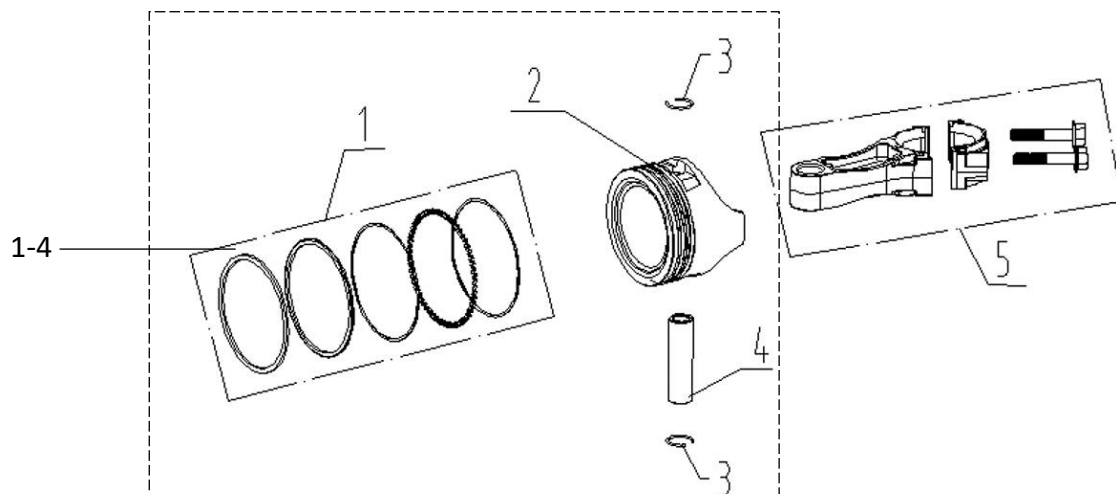
FIG 15 krumtapaksel



DELE TIL FIG 15

Pos	Varenr	Varenavn	Item name	OE-ref	Antal/qty
1	N/A	Krumtapaksel, komplet	Crankshaft assy	JF1P70FKV.4.1(C)	1
2	N/A	Møtrik, M14x1.5	Nut, M14x1.5	GB/T6177.2	1
3	N/A	Skive Ø25.8xØ36x1	Washer, Ø25.8xØ36x1	JF1P70FKV.4-2	1

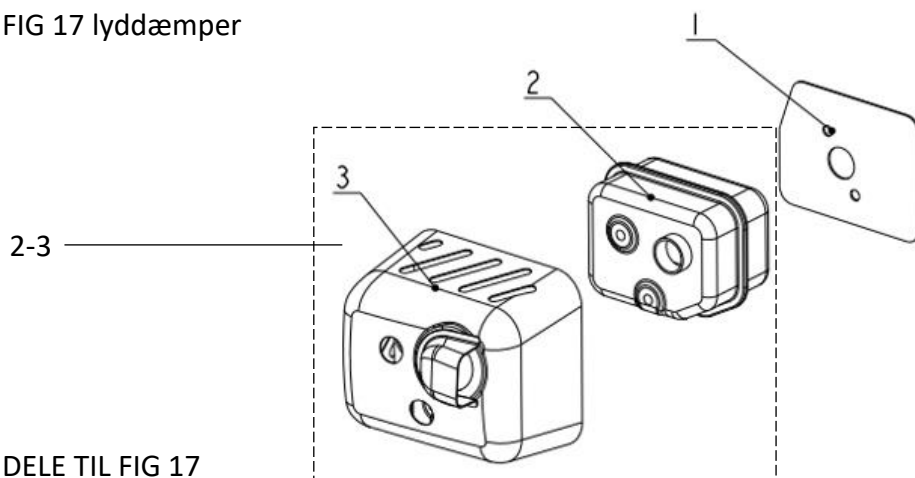
FIG 16 stempel



DELE TIL FIG 16

Pos	Varenr	Varenavn	Item name	OE-ref	Antal/qty
1-4	9067378	Stempel, komplet	Piston set		1
1	N/A	Stempelringe sæt	Piston ring assy	JF1P70FKV.5.1	1
2	N/A	Stempel	Piston	JF1P70FKV.5-1	1
3	N/A	Låsering	Clip, piston pin	QJ168QDJ.04-05	2
4	N/A	Pin	Piston pin	QJ168QDJ.04-04	1
5	N/A	Plejlstang	Connecting rod assy	JF1P70FKV.5.2	1

FIG 17 lyddæmper



DELE TIL FIG 17

Pos	Varenr	Varenavn	Item name	OE-ref	Antal/qty
1	N/A	Pakning	Gasket, muffler	JF1P65FJV-2.12-1	1
2-3	9067379	Lyddæmpersæt	Muffler set		1
2	N/A	Lyddæmper	Muffler, assy	JF1P65FJV-2KC.12.1	1
3	N/A	Skærm	Muffler guard	JF1P70FKV-C.12-1	1

Vi forbeholder os ret til uden foregående varsel at ændre de tekniske parametre og specifikationer for dette produkt