

Reservedelsoversigt

P-Lindberg

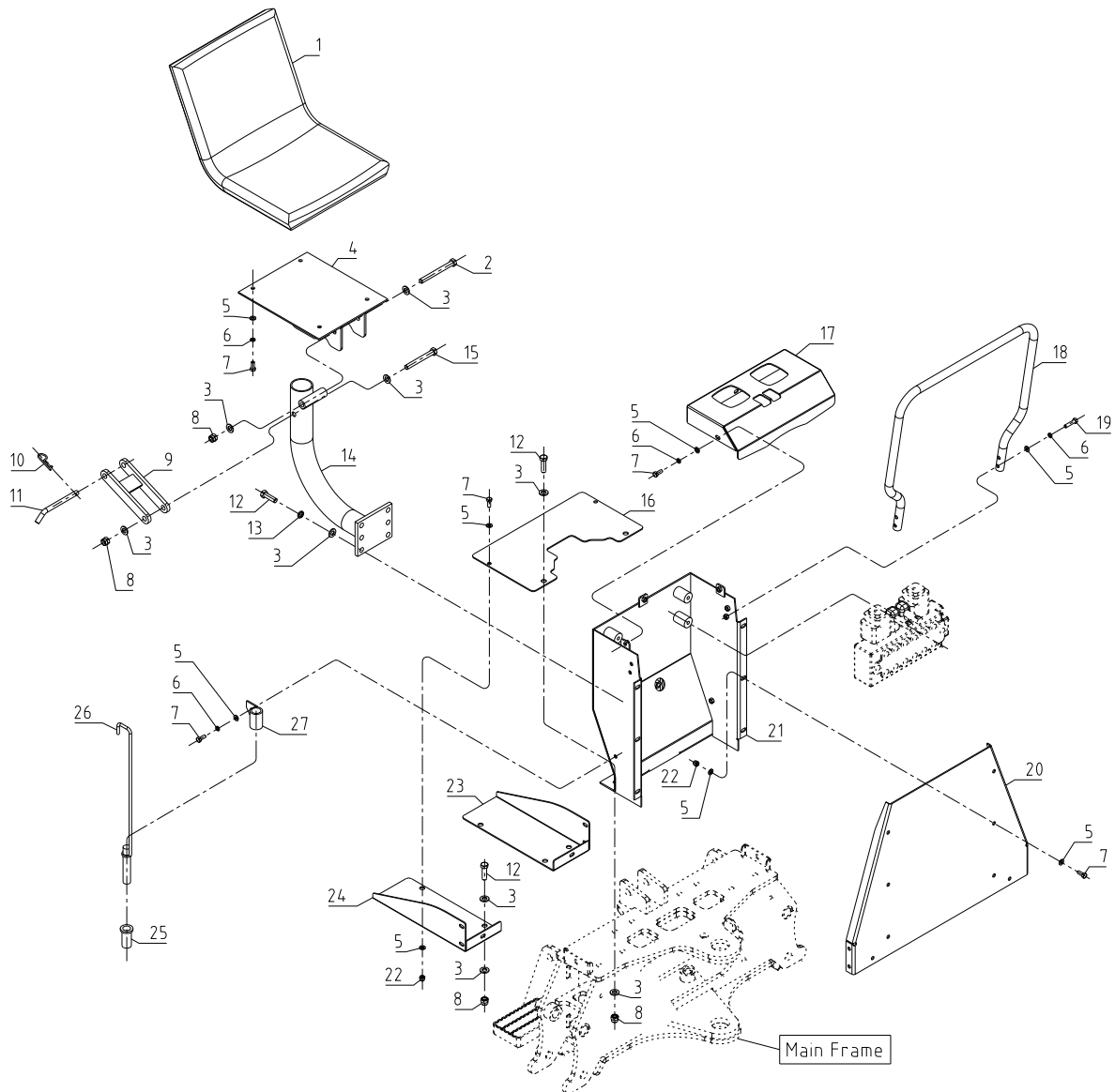
Varenr.: 9059890

Hydraulisk gravearm t/traktor



Sdr. Ringvej 1 - 6600 Vejen - Tlf. 70 21 26 26 - Fax 70 21 26 30
www.p-lindberg.dk

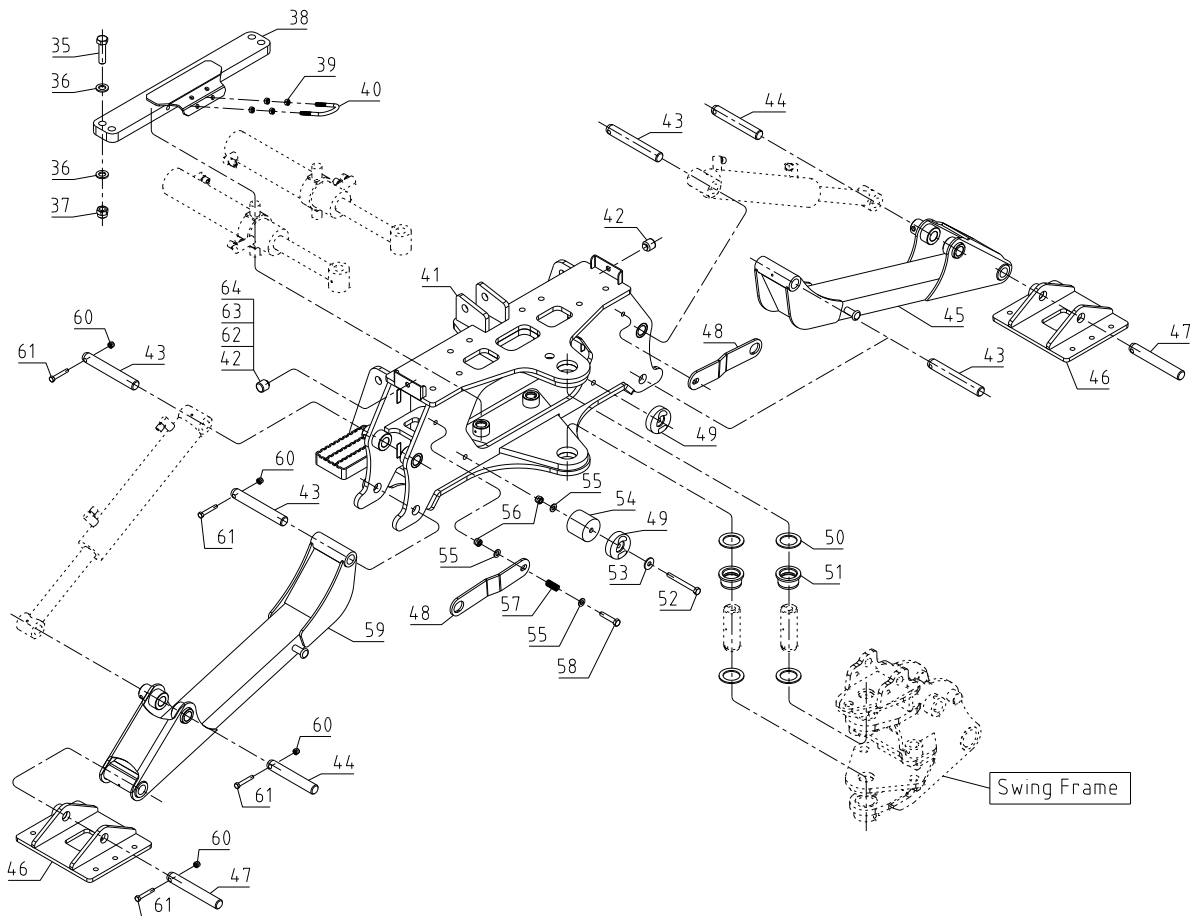
Hydraulisk gravearm t/traktor - Varenr. 9059890
 Splittegning: Fig 1



Komponentoversigt: 1

Pos.	PL varenr	Varenavn	Item name	Antal /qty
1	N/A	Sæde	Seat	1
2	N/A	Bolt, M12x115	Bolt, M12x115	1
3	9050204	Planskive, M12	Washer plain M12	24
4	N/A	Sæde plade	Seat plate	1
5	9050202	Planskive, M8	Washer plain M8	40
6	9042417	Fjederskive, M8	Washer spring M8	12
7	9050221	Bolt, M8x20	Bolt, M8x20	2
8	9050216	Låsemøtrik, M12	Nut lock, M12	10
9	N/A	Arm sædebund	Link assembly	1
10	9037420	Hårnålesplit	R-pin, ϕ 3.2	1
11	N/A	Splitbolt	Pin, ϕ 12	1
12	9050251	Bolt, M12x40	Bolt, M12x40	12
13	9042417	Fjederskive, M12	Washer spring M12	4
14	N/A	Rør	Support seat	1
15	9050257	Bolt, M12x100	Bolt, M12x100	1
16	N/A	Fodplade -center	Foot plate -center	1
17	N/A	Top plade	Top cover	1
18	N/A	Rørøjle	Guide bar	1
19	N/A	Bolt, M8x35	Bolt, M8x35	4
20	N/A	Front plade	Front cover	1
21	N/A	Cover t/styreventil	Valve room assembly	1
22	9050214	Låsemøtrik, M8	Nut lock, M8	14
23	N/A	Fodplade, venstre	Foot plate LH	1
24	N/A	Fodplade, højre	Foot plate RH	1
25	N/A	Gummibøsning	Rubber boss	1
26	N/A	Krøjelås	Swing pin	1
27	N/A	Krøjelås holder	Swing pin hanger	1

Hydraulisk gravearm t/traktor - Varenr. 9059890
Splittegning: Fig 2

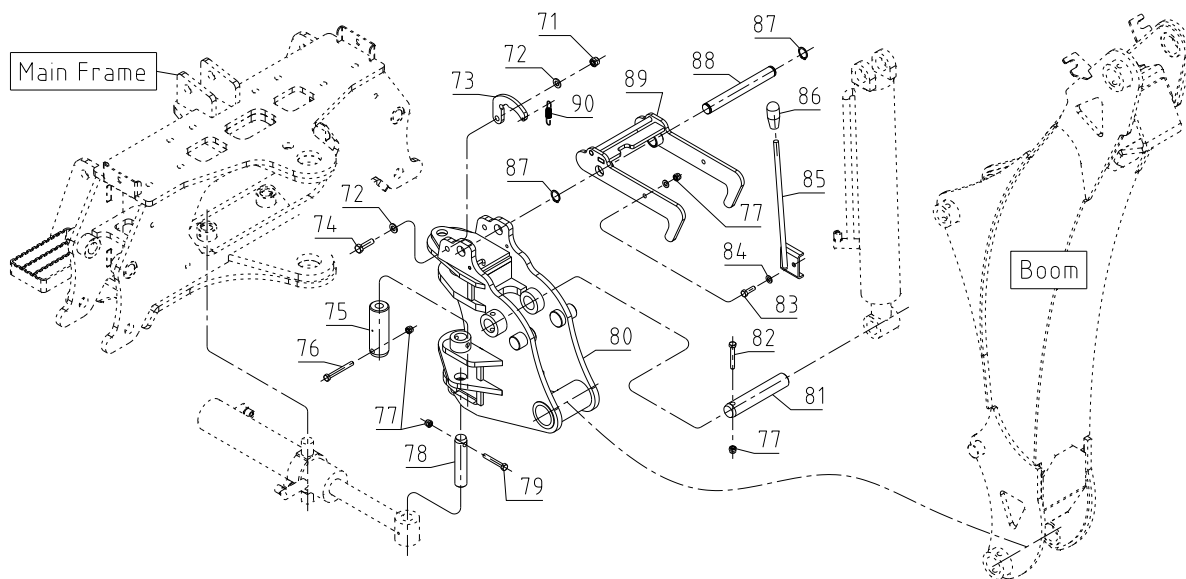


Komponentoversigt:

Pos.	PL varenr	Varenavn	Item name	Antal /qty
35	9050261	Bolt, M16x60	Bolt, M16x60	4
36	9050205	Planskive, M16	Washer plain M16	8
37	9050217	Låsemøtrik, M16	Nut lock, M16	4
38	N/A	Holder	Cross bar	1
39	9050207	Møtrik, M8	Nut, M8	4
40	N/A	U-bøjle	U-bolt	1
41	N/A	Hovedramme	Main frame assembly	1
42	N/A	Gummistop	Rubber stop	2
43	N/A	Aksel, ϕ 24.5x173	Pin, ϕ 24.5x173	4
44	N/A	Aksel, ϕ 24.5x154	Pin, ϕ 24.5x154	2
45	N/A	Støtteben, venstre	Stabilizer assembly-LH	1
46	N/A	Fodplade støtteben	Foot plate	2
47	N/A	Aksel, ϕ 24.5x166	Pin, ϕ 24.5x166	2
48	N/A	Lås støtteben	Stabilizer lock	2
49	N/A	Gummistop, krøje	Rubber cushion	2
50	N/A	Skive	Washer	4
51	N/A	Bøsning	Bushing	2
52	N/A	Bolt, M10x95	Bolt, M10x95	2
53	9050199	Skærmskive, M10	Big washer plain M10	2
54	N/A	Krøjestop	Bracket cushion	2
55	9050203	Planskive, M10	Washer plain M10	6
56	9050215	Låsemøtrik, M10	Nut lock, M10	4
57	N/A	Fjeder	Spring	2
58	9050243	Bolt, M10x50	Bolt, M10x50	2
59	N/A	Støtteben, højre	Stabilizer assembly-RH	1
60	9050214	Låsemøtrik, M8	Nut lock, M8	8
61	9050234	Bolt, M8x50	Bolt, M8x50	8
62	9050201	Planskive, M6	Plain washer M6	2
63	9050213	Låsemøtrik, M6	Nut lock, M6	2
64	9050223	Bolt, M6x40	Bolt, M6x40	2

Hydraulisk gravearm t/traktor - Varenr. 9059890

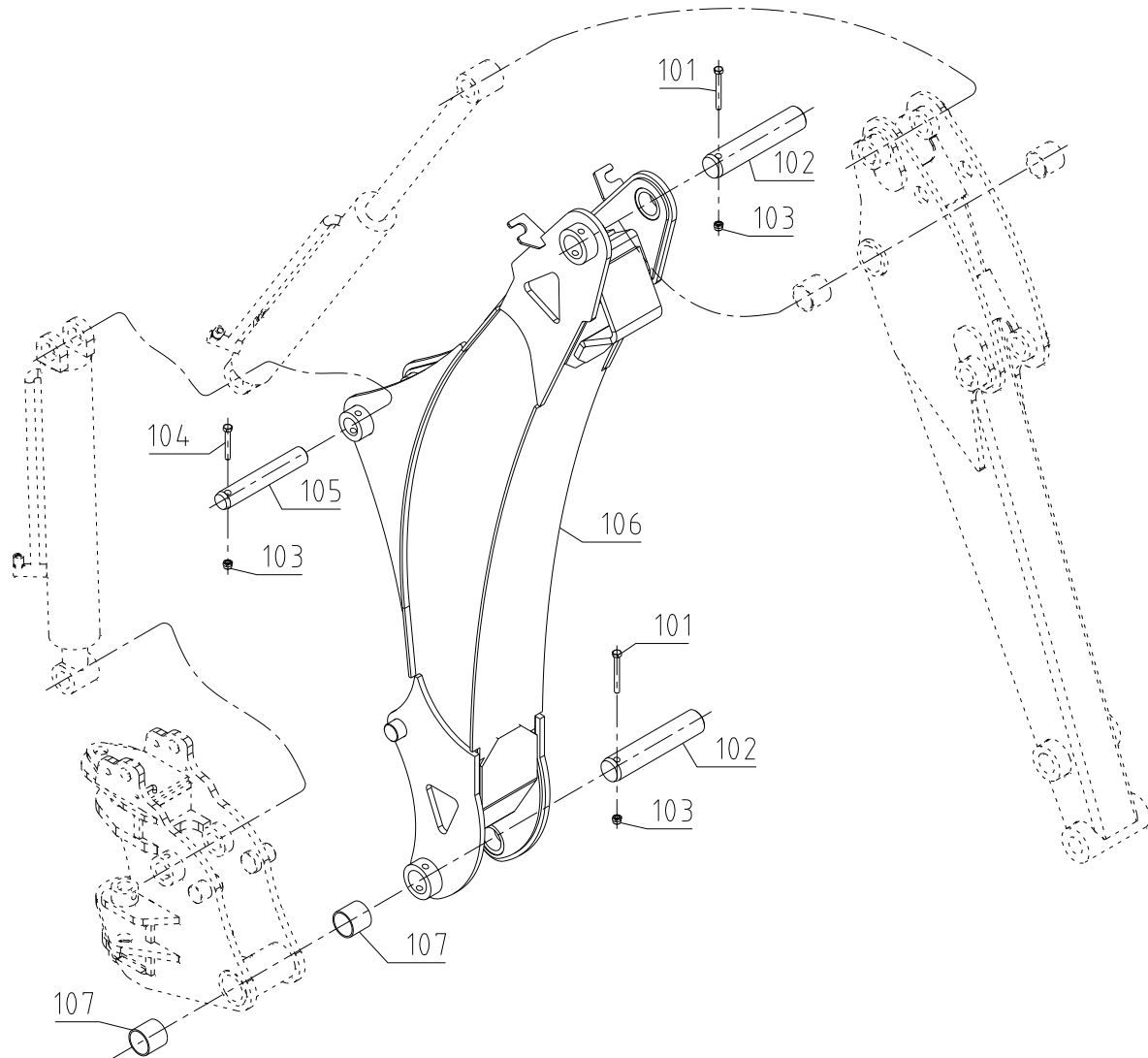
Splittegning: Fig 3



Komponentoversigt: 3

Pos.	PL varenr	Varenavn	Item name	Antal /qty
71	9050215	Låsemøtrik, M10	Nut lock, M10	1
72	9050203	Planskive, M10	Washer plain M10	2
73	N/A	Låseplade	Lock plate	1
74	N/A	Bolt, M10x35	Bolt, M10x35	1
75	N/A	Aksel, ϕ 39.5x115	Pin, ϕ 39.5x115	2
76	9050236	Bolt, M8x70	Bolt, M8x70	2
77	9050214	Låsemøtrik, M8	Nut lock, M8	6
78	N/A	Aksel, ϕ 24.5x117	Pin, ϕ 24.5x117	2
79	N/A	Bolt, M8x55	Bolt, M8x55	2
80	N/A	Svingramme	Swing frame assembly	1
81	N/A	Aksel, ϕ 29.5x161	Pin, ϕ 29.5x161	1
82	9050235	Bolt, M8x60	Bolt, M8x60	1
83	N/A	Bolt, M8x25	Bolt, M8x25	1
84	9050202	Planskive, M8	Washer plain M8	2
85	N/A	Håndtag	Handle set	1
86	N/A	Plasthåndtag / -kugle	Plastic ball	1
87	N/A	Låsering	Snap ring, 22	2
88	N/A	Aksel, ϕ 22x190	Pin, ϕ 22x190	1
89	N/A	Lås til bom	Lock frame assembly	1
90	N/A	Fjeder	Spring	1

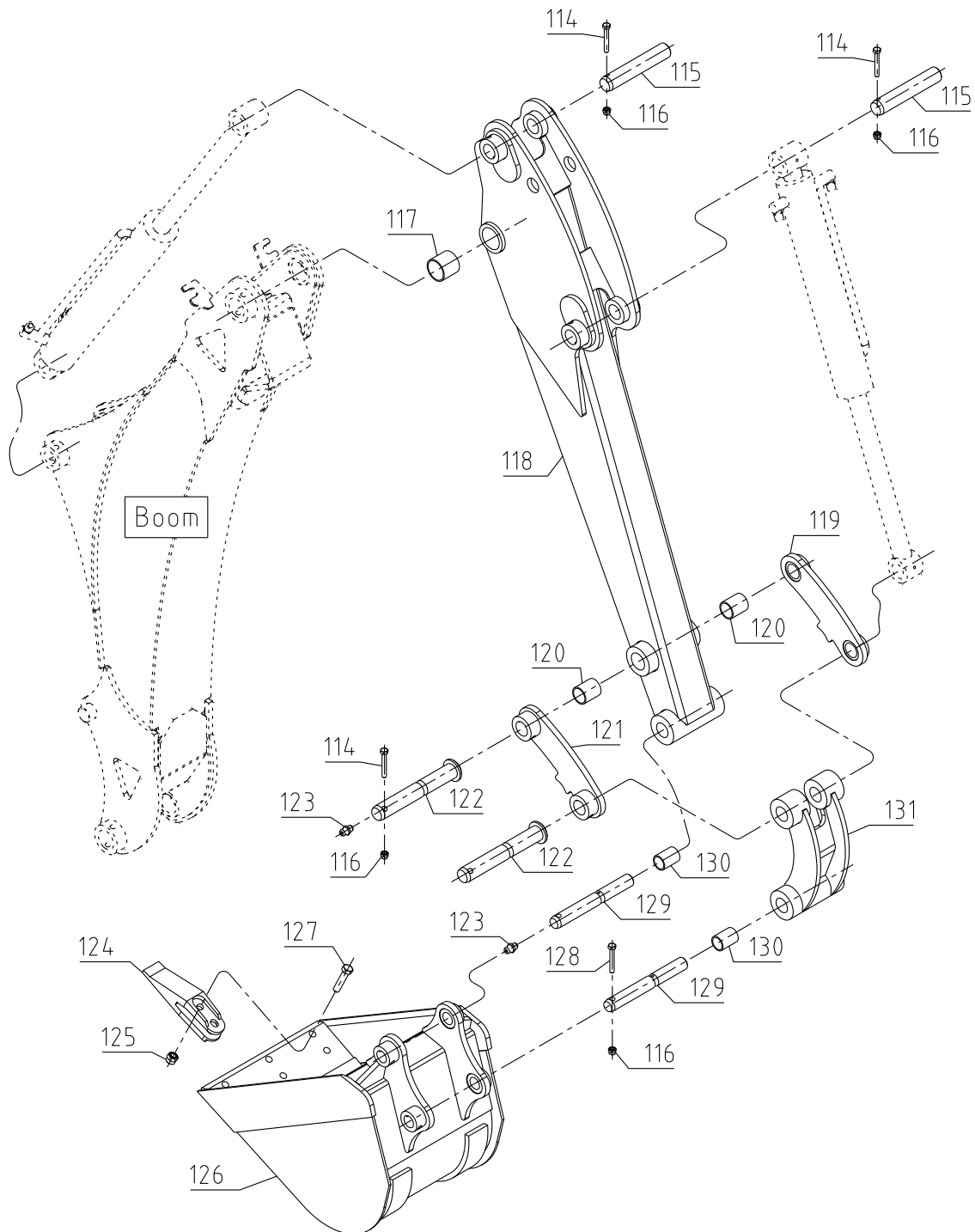
Hydraulisk gravearm t/traktor - Varenr. 9059890
 Splittegning: Fig 4



Komponentoversigt: 4

Pos.	PL varenr	Varenavn	Item name	Antal /qty
101	9050236	Bolt, M8x70	Bol, M8x70	2
102	N/A	Aksel, $\phi 39.5 \times 193$	Pin, $\phi 39.5 \times 193$	2
103	9050214	Låsemøtrik, M8	Nut lock, M8	3
104	9050235	Bolt, M8x60	Bolt, M8x60	1
105	N/A	Aksel, $\phi 29.5 \times 180$	Pin, $\phi 29.5 \times 180$	1
106	N/A	Bom / arm	Boom assembly	1
107	N/A	Bøsning, $\phi 40$	Bushing, $\phi 40$	2

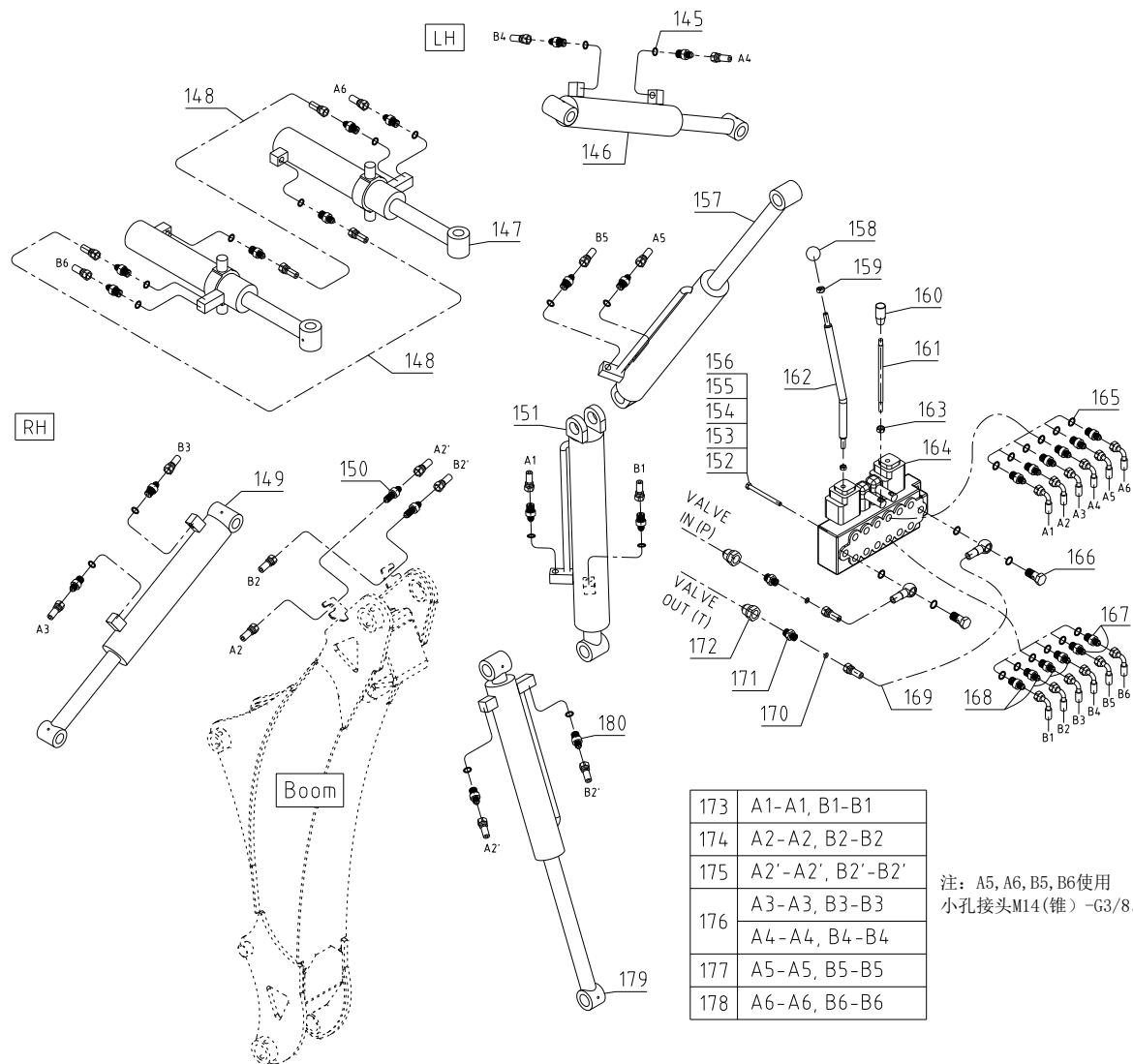
Hydraulisk gravearm t/traktor - Varenr. 9059890
Splittegning: Fig 5



Komponentoversigt: 5

Pos.	PL varenr	Varenavn	Item name	Antal /qty
114	9050236	Bolt, M8x60	Bolt, M8x60	4
115	N/A	Aksel, ϕ 29.5x161	Pin, ϕ 29.5x161	2
116	9050214	Låsemøtrik, M8	Nut lock, M8	6
117	N/A	Bøsning, ϕ 40	Bushing, ϕ 40	2
118	N/A	Stick / arm	Dipperstick assembly	1
119	N/A	Styream, venstre	Link, LH	1
120	9067577	Bøsning, ϕ 30	Bushing, ϕ 30	2
121	N/A	Styream, højre	Link, RH	1
122	N/A	Aksel, ϕ 29.5x198	Pin, ϕ 29.5x198	2
123	9044979	Smørenippel, M6	Grease nipple, M6	26
124	N/A	Tand (skovl)	Bucket tooth	3
125	9050216	Låsemøtrik, M12	Nut lock, M12	6
126	9059918	Skovl 12"	Bucket assembly, 12"	1
126	9059919	Skovl 14"	Bucket assembly, 14"	1
126	9059920	Skovl 16"	Bucket assembly, 16"	1
127	N/A	Bolt, M12x45	Bolt, M12x45	6
128	N/A	Bolt, M8x55	Bolt, M8x55	2
129	N/A	Aksel, ϕ 24.5x200	Pin, ϕ 24.5x200	2
130	9067578	Bøsning, ϕ 25	Bushing, ϕ 25	4
131	N/A	Styream	Link assembly	1

Hydraulisk gravearm t/traktor - Varenr. 9059890
Splittegning: Fig 6

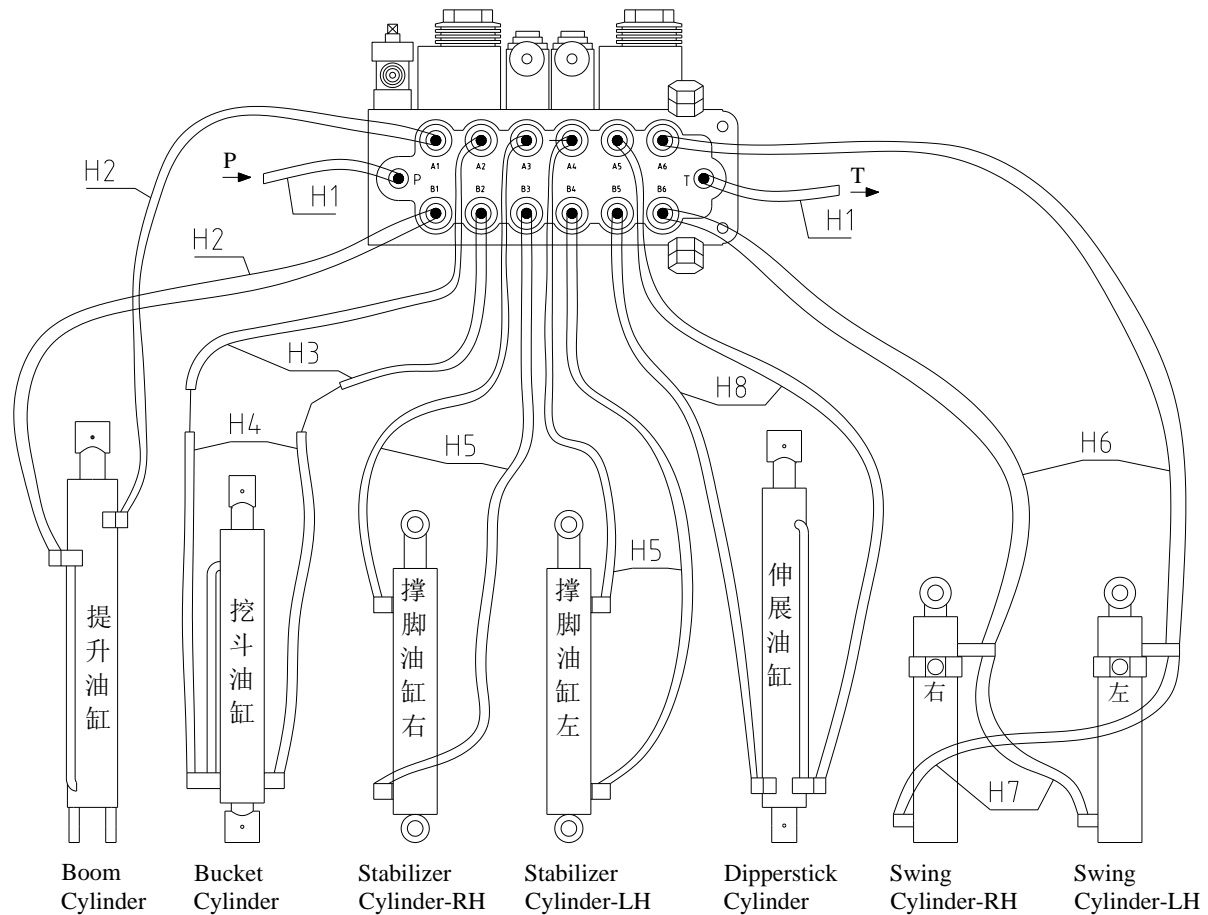


Komponentoversigt: 6

Pos.	PL varenr	Varenavn	Item name	Antal /qty
145	N/A	Skive, M14	Combination washer M14	16
146	N/A	Cylinder støtteben, venstre	Stabilizer cylinder, LH	1
147	N/A	Krøjecylinder	Swing cylinder	2
148	N/A	Slange t/krøje, kort	Hose, swing t/swing	2
149	N/A	Cylinder støtteben, højre	Stabilizer cylinder, RH	1
150	N/A	Brystnippel/holder	Long adapter, M14Z-M14Z	2
151	N/A	Cylinder bom	Boom cylinder	1
152	9050239	Bolt, M8x100	Bolt, M8x100	2
153	9050202	Planskive, M8	Plai washer M8	5
154	9050214	Låsemøtrik, M8	Nut lock, M8	2
155	9050235	Bolt, M8x60	Bolt, M8x60	1
156	9042417	Fjederskive, M8	Spring washer M8	1
157	N/A	Cylinder stick	Dipperstick cylinder	1
158	N/A	Plastkugle	Plastic ball, 10x32	2
159	9050208	Møtrik, M10	Nut, M10	4
160	N/A	Plasthåndtag	Plastic ball, 10x50	2
161	N/A	Stang t/håndtag	Lever stick	2
162	N/A	Stang t/håndtag	Hand lever	2
163	9050207	Møtrik, M8	Nut, M8	2
164	9062536	Ventilblok	Control valve	1
165	9042418	Oliepakning	Combination washer 18	16
166	N/A	Banjobolt	Hollow bolt-G3/8	2
167	N/A	Brystnippel	Adapter-2, M14Z-G3/8	4
168	N/A	Brystnippel	Adapter-1, M14Z-G3/8	8
169		Slange t/traktor	Hose, valve t/in-out	2
170	N/A	O-ring, 13x2,4	O-ring, 13x2.4	2
171	N/A	Brystnippel	Adapter, M18-R1/2	2
172	N/A	Lynkobling	Quick coupler-G1/2-M	2
173		Slange t/bom	Hose, valve t/boom	2
174		Slange t/skovl	Hose, valve t/adapter	2
175		Slange t/skovl	Hose, adapter t/bucket	2
176		Slange t/støtteben	Hose, valve t/stabilizer	4
177		Slange t/arm	Hose, valve t/dipperstick	2
178		Slange t/krøje	Hose, valve t/swing	2
179	N/A	Skovl cylinder	Bucket cylinder	1
180	N/A	Brystnippel	Adapter, M14Z-M14	16

Hydraulisk gravearm t/traktor - Varenr. 9059890

Splittegning: Fig 7



Komponentliste: 7

Pos.	PL varenr	Varenavn	Item name	Antal /qty
H1	9065644	Slange t/traktor – 194 cm, lige/vinkel	Hose, valve t/in-out	2
H2	9065647	Slange t/bom – 133 cm, lige/vinkel	Hose, valve t/boom	2
H3	9065648	Slange t/skovl (1) – 56 cm, lige/lige	Hose, valve t/adapter	2
H4	9065649	Slange t/skovl (2) – 93 cm, lige/lige	Hose, adapter t/bucket	2
H5	9065650	Slange t/støtteben – 98 cm, lige/vinkel	Hose, valve t/stabilizer	4
H6	9065651	Slange t/krøje – 192 cm, lige/vinkel	Hose, valve t/swing	2
H7	N/A	Slange t/krøje (kort)	Hose, swing t/swing	2
H8	9065652	Slange t/arm – 265 cm, lige/vinkel	Hose, valve t/dipperstick	2
H1-H8	9065645	Hydraulikslangekit, komplet		1

Vi forbeholder os ret til uden foregående varsel at ændre de tekniske parametre og specifikationer for dette produkt.