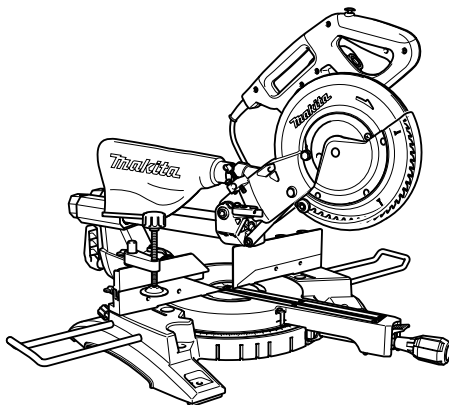
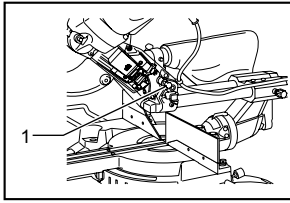




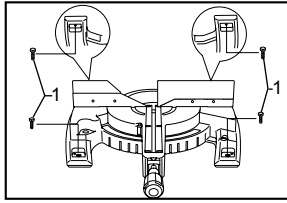
GB	Slide Compound Miter Saw	INSTRUCTION MANUAL
S	Skjutbar kap- och geringskombinationssåg	BRUKSANVISNING
N	Skyvbar gjæringssag for kombinasjonssaging	BRUKSANVISNING
FIN	Ristikelkkasaha	KÄYTTÖOHJE
LV	Slīdrāmja kombinētais leņķzāģis	LIETOŠANAS INSTRUKCIJA
LT	Kombinuotas nuleidžiamas skersavimo ir kampų suleidimo pjūklas	NAUDOJIMO INSTRUKCIJA
EE	Liuglõike eeringisaag	KASUTUSJUHEND
RUS	Торцовочная пила консольного типа	РУКОВОДСТВО ПО ЭКСПЛУАТАЦИИ

LS1018
LS1018L

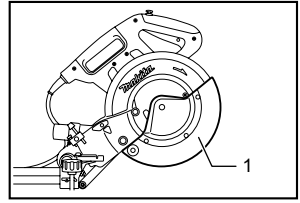




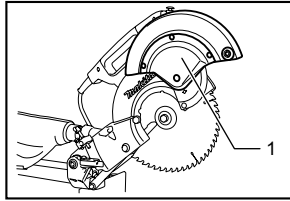
1 011380



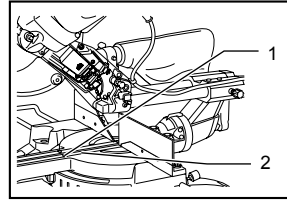
2 011383



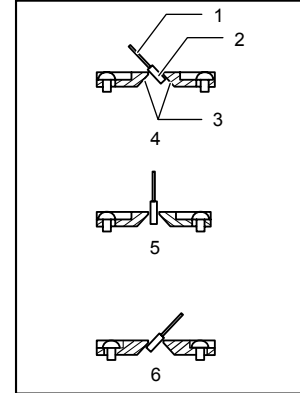
3 010230



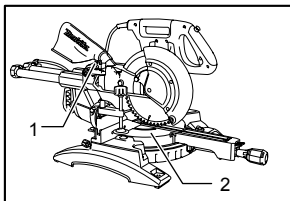
4 010231



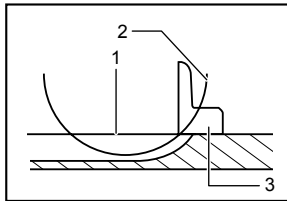
5 010297



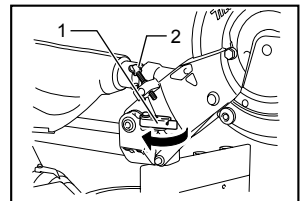
6 001538



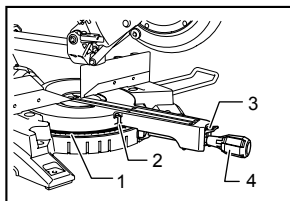
7 010298



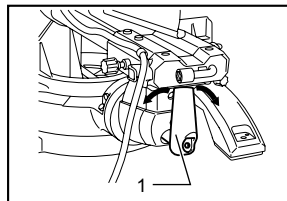
8 001540



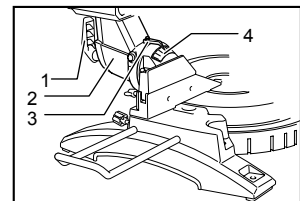
9 010233



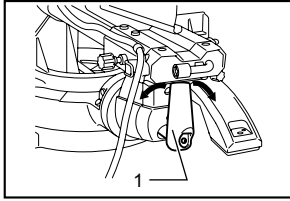
10 010409



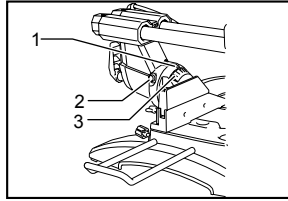
11 011337



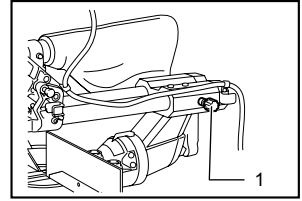
12 011336



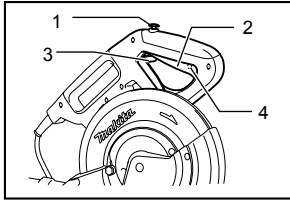
13 011337



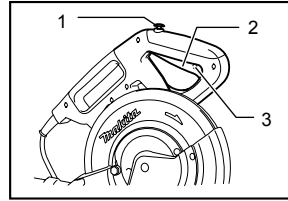
14 011353



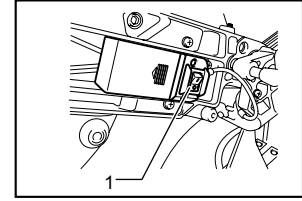
15 010431



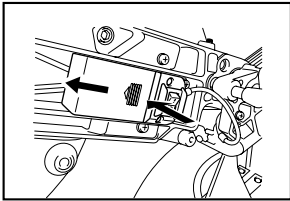
16 010238



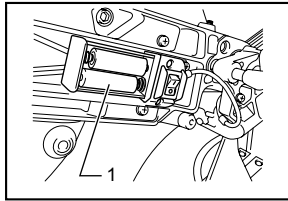
17 010237



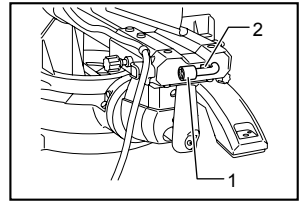
18 010257



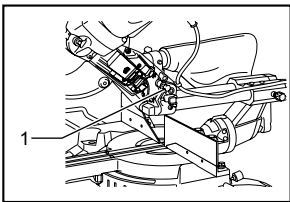
19 010399



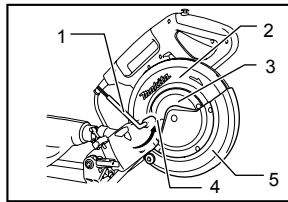
20 010259



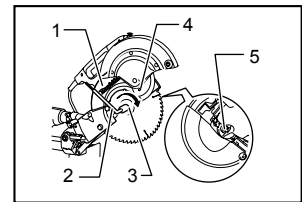
21 011338



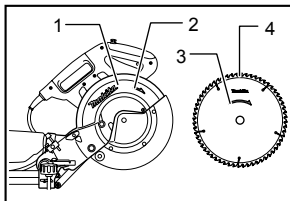
22 010477



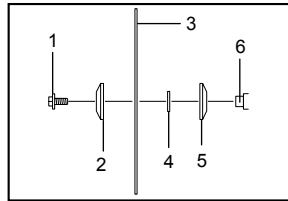
23 010241



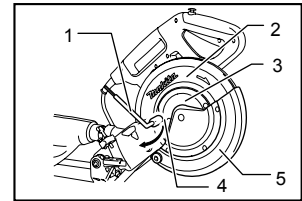
24 010242



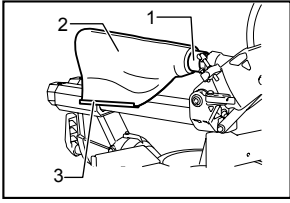
25 010244



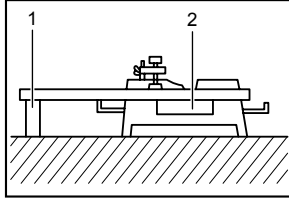
26 010243



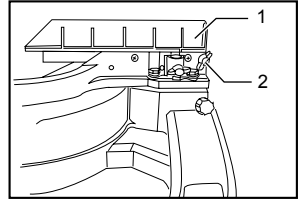
27 010562



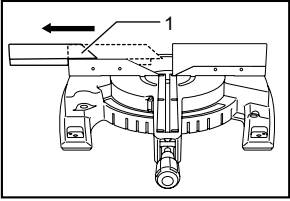
28 011339



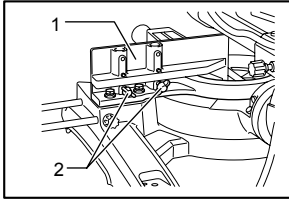
29 001549



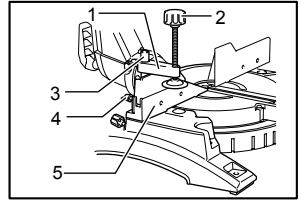
30 015204



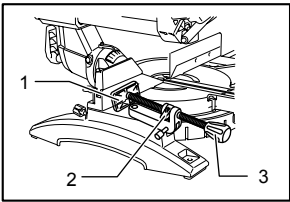
31 015206



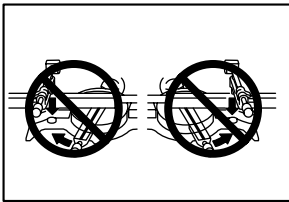
32 010427



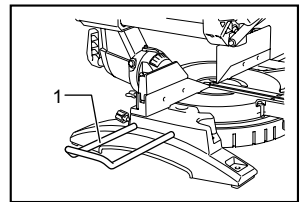
33 011346



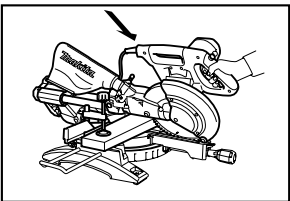
34 011343



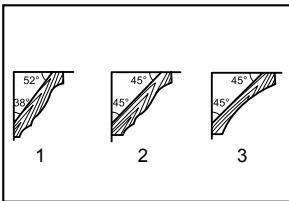
35 005232



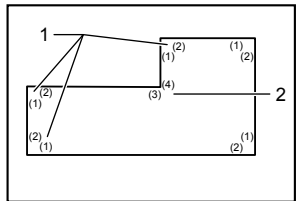
36 011378



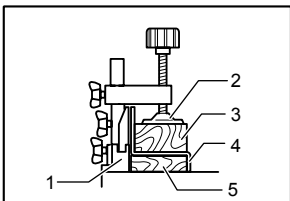
37 010249



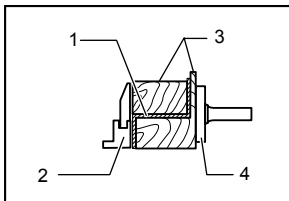
38 001555



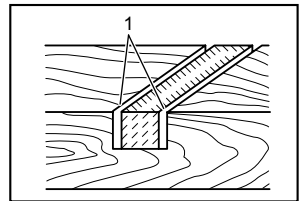
39 001557



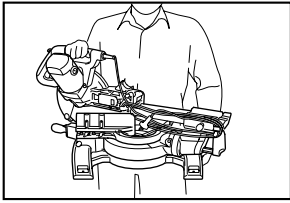
40 010404



41 010469

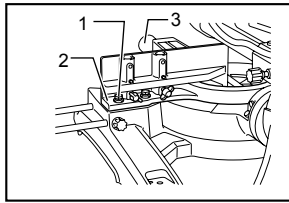


42 001563



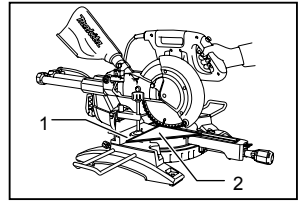
43

011411



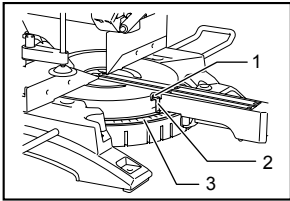
44

010410



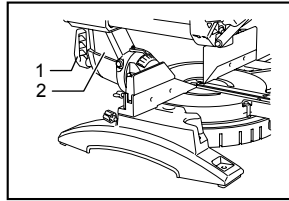
45

011412



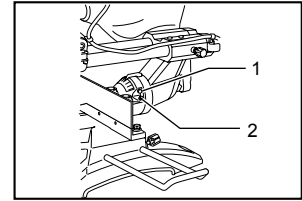
46

010253



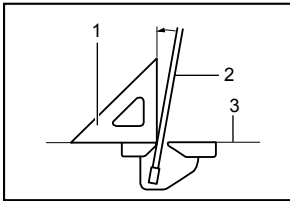
47

011413



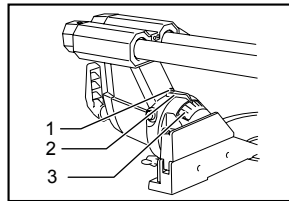
48

011379



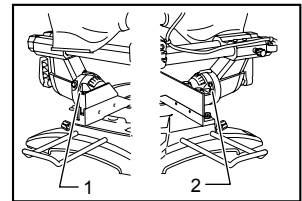
49

001819



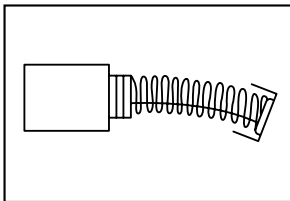
50

011342



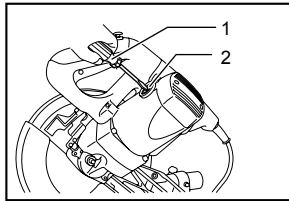
51

011381



52

007834



53

010412

ENGLISH

Contents

SPECIFICATIONS	8
General Power Tool Safety Warnings	9
MITER SAW SAFETY WARNINGS	9
INSTALLATION	10
FUNCTIONAL DESCRIPTION	11
ASSEMBLY	13
OPERATION	15
MAINTENANCE	19
OPTIONAL ACCESSORIES	20

SVENSKA

Innehåll

SPECIFIKATIONER	22
Allmänna säkerhetsvarningar för maskin	23
SÄKERHETSVARNINGAR FÖR GERINGSSÄG	23
INSTALLATION	24
FUNKTIONSBESKRIVNING	25
MONTERING	27
ANVÄNDNING	30
UNDERHÅLL	34
VALFRIA TILLBEHÖR	35

NORSK

Innhold

TEKNISKE DATA	37
Generelle advarsler angående sikkerhet for elektroverktøy	38
SIKKERHETSADVARSLER FOR GJÆRSAG	38
MONTERING	39
FUNKSJONSBEKRIVELSE	40
MONTERING	42
BRUK	45
VEDLIKEHOLD	48
VALGFRITT TILBEHØR	49

SUOMI

Sisällys

TEKNISEN TIEDOT	52
Sähkötyökalujen käyttöä koskevat varoitukset	53
VIISTOSAHAN TURVALLISUUSOHJEET	53
ASENNUS	54
TOIMINTAKUVAUS	55
KOKOONPANO	57
KÄYTTÖ	60
HUOLTO	64
LISÄVARUSTEET	65

LATVIEŠU

Saturs

SPECIFIKĀCIJAS	67
Vispārējie mehānizēto darbarīku drošības brīdinājumi 68	
DROŠĪBAS BRĪDINĀJUMI LEŅĶZĀGA LIETOŠANAI 68	
UZSTĀDĪŠANA	69
FUNKCIJU APRAKSTS	70
MONTĀŽA	72
EKSPLUATĀCIJA	75
APKOPE	79
PAPILDU PIEDERUMI	80

LIETUVIŲ KALBA

Turinys

SPECIFIKACIJOS	82
Bendrieji perspėjimai darbu su elektriniais įrankiais ... 83	
ĮSPĖJIMAI DĖL KAMPUJ SULEIDIMO PŪKLO	
SAUGOS	83
SUMONTAVIMAS	84
VEIKIMO APRAŠYMAS	85
SURINKIMAS	87
NAUDOJIMAS	90
TECHNINĖ PRIEŽIŪRA	94
PASIRENKAMI PRIEDAI	95

EESTI

Sisu

TEHNILISED ANDMED	97
Üldised elektritööriistade ohutusohiatused	98
EERUNGISAE OHUTUSHOIATUS	98
PAIGALDAMINE	100
FUNKTSIONAALNE KIRJELDUS	100
KOKKUPANEK	103
TÖÖRIISTA KASUTAMINE	105
HOOLDUS	109
VALIKULISED TARVIKUD	110

РУССКИЙ ЯЗЫК

Содержание

ТЕХНИЧЕСКИЕ ХАРАКТЕРИСТИКИ	112
Общие рекомендации по технике безопасности для электроинструментов	113
ПРАВИЛА ТЕХНИКИ БЕЗОПАСНОСТИ ПРИ ЭКСПЛУАТАЦИИ ТОРЦОВОЧНОЙ ПИЛЫ	113
УСТАНОВКА	115
ОПИСАНИЕ ФУНКЦИОНИРОВАНИЯ	115
МОНТАЖ	119
ЭКСПЛУАТАЦИЯ	121
ТЕХОБСЛУЖИВАНИЕ	125
ДОПОЛНИТЕЛЬНЫЕ АКСЕССУАРЫ	127

ENGLISH (Original instructions)

Explanation of general view

1-1. Stopper pin	21-2. Wrench holder	34-3. Vise knob
2-1. Bolts	22-1. Stopper pin	36-1. Holder
3-1. Blade guard	23-1. Socket wrench	38-1. 52/38 ° type crown molding
4-1. Blade guard	23-2. Blade case	38-2. 45 ° type crown molding
5-1. Screw	23-3. Center cover	38-3. 45 ° type cove molding
5-2. Kerf board	23-4. Hex bolt	39-1. Inside corner
6-1. Saw blade	23-5. Blade guard	39-2. Outside corner
6-2. Blade teeth	24-1. Blade case	40-1. Guide fence
6-3. Kerf board	24-2. Socket wrench	40-2. Vise
6-4. Left bevel cut	24-3. Hex bolt	40-3. Spacer block
6-5. Straight cut	24-4. Arrow	40-4. Aluminum extrusion
6-6. Right bevel cut	24-5. Shaft lock	40-5. Spacer block
7-1. Adjusting bolt	25-1. Blade case	41-1. Aluminum extrusion
7-2. Turn base	25-2. Arrow	41-2. Guide fence
8-1. Top surface of turn base	25-3. Arrow	41-3. Spacer block
8-2. Periphery of blade	25-4. Saw blade	41-4. Horizontal vise (optional accessory)
8-3. Guide fence	26-1. Hex bolt (left-handed)	42-1. Cut grooves with blade
9-1. Stopper arm	26-2. Outer flange	44-1. Hex bolt
9-2. Adjusting screw	26-3. Saw blade	44-2. Guide fence
10-1. Miter scale	26-4. Ring	44-3. Grip
10-2. Pointer	26-5. Inner flange	45-1. Guide fence
10-3. Lock lever	26-6. Spindle	45-2. Triangular rule
10-4. Grip	27-1. Socket wrench	46-1. Screw
11-1. Lever	27-2. Blade case	46-2. Pointer
12-1. Lever	27-3. Center cover	46-3. Miter scale
12-2. Arm	27-4. Hex bolt	47-1. Lever
12-3. Pointer	27-5. Blade guard	47-2. Arm
12-4. Bevel scale	28-1. Dust nozzle	48-1. 0 ° adjusting bolt
13-1. Lever	28-2. Dust bag	48-2. Left 45 ° bevel angle adjusting bolt
14-1. Pointer	28-3. Fastener	49-1. Triangular rule
14-2. Release button	29-1. Support	49-2. Saw blade
14-3. Bevel scale	29-2. Turn base	49-3. Top surface of turn table
15-1. Locking screw	30-1. Sliding fence	50-1. Screw
16-1. Lock-off button	30-2. Clamping screw	50-2. Pointer
16-2. Switch trigger	31-1. Sliding fence	50-3. Bevel scale
16-3. Lever	32-1. Sub-fence R	51-1. Right 45 ° bevel angle adjusting bolt
16-4. Hole for padlock	32-2. Screws	51-2. Left 45 ° bevel angle adjusting bolt
17-1. Lock-off button	33-1. Vise arm	53-1. Screwdriver
17-2. Switch trigger	33-2. Vise knob	53-2. Brush holder cap
17-3. Hole for padlock	33-3. Vise rod	
18-1. Switch for laser	33-4. Screw	
20-1. Dry cell	33-5. Guide fence	
21-1. Socket wrench with hex wrench on its other end	34-1. Vise plate	
	34-2. Vise nut	

SPECIFICATIONS

Model	LS1018 / LS1018L
Blade diameter	255 mm - 260 mm
Blade body thickness	1.6 mm - 2.4 mm
Hole diameter	
For all countries other than European countries	25.4 mm
For European countries	30 mm
Max. Cutting capacities (H x W) with 260 mm in diameter	

Miter angle	Bevel angle		
	45° (left)	0°	45° (right)
0°	50 mm x 310 mm	91 mm x 310 mm	31 mm x 310 mm
45°	50 mm x 220 mm	91 mm x 220 mm	31 mm x 220 mm
60° (right)	-	91 mm x 153 mm	-

No load speed (min ⁻¹)	4,300
Laser Type (LS1018L only)	Red Laser 650 nm, < 1 mW (Laser Class 2)
Dimensions (L x W x H)	825 mm x 536 mm x 633 mm
Net weight	For all countries other than European countries.....19.8 kg For European countries.....19.9 kg










Safety class

- Due to our continuing program of research and development, the specifications herein are subject to change without notice.
- Specifications may differ from country to country.
- Weight according to EPTA-Procedure 01/2003

END222-4

Symbols

The following show the symbols used for the equipment. Be sure that you understand their meaning before use.

-  • Read instruction manual.
 -  • DOUBLE INSULATION
 -  • To avoid injury from flying debris, keep holding the saw head down, after making cuts, until the blade has come to a complete stop.
 -  • When performing slide cut, first pull carriage fully and press down handle, then push carriage toward the guide fence.
 -  • Do not place hand or fingers close to the blade.
 -  • Adjust sliding fences clear of blade and blade guard properly.
 -  • Always remove SUB-FENCE R when performing right bevel cuts. Failure to do so may cause serious injury to operator.
 -  • LASER RADIATION: Do not stare into beam. Direct laser beam may injure your eyes.
 -  • Only for EU countries
- Do not dispose of electric equipment together with household waste material! In observance of the European Directive, on Waste Electric and

Electronic Equipment and its implementation in accordance with national law, electric equipment that have reached the end of their life must be collected separately and returned to an environmentally compatible recycling facility.

ENE006-1

Intended use

The tool is intended for accurate straight and miter cutting in wood. With appropriate saw blades, aluminum can also be sawed.

ENF002-2

Power supply

The tool should be connected only to a power supply of the same voltage as indicated on the nameplate, and can only be operated on single-phase AC supply. They are double-insulated and can, therefore, also be used from sockets without earth wire.

ENG905-1

Noise

The typical A-weighted noise level determined according to EN61029:

- Sound pressure level (L_{pA}) : 97 dB (A)
- Sound power level (L_{WA}) : 103 dB (A)
- Uncertainty (K) : 3 dB (A)

Wear ear protection

ENG900-1

Vibration

The vibration total value (tri-axial vector sum) determined according to EN61029:

Vibration emission (a_h) : 2.5 m/s² or less
 Uncertainty (K) : 1.5 m/s²

ENG901-1

- The declared vibration emission value has been measured in accordance with the standard test method and may be used for comparing one tool with another.
- The declared vibration emission value may also be used in a preliminary assessment of exposure.

⚠ WARNING:

- The vibration emission during actual use of the power tool can differ from the declared emission value depending on the ways in which the tool is used.
- Be sure to identify safety measures to protect the operator that are based on an estimation of exposure in the actual conditions of use (taking account of all parts of the operating cycle such as the times when the tool is switched off and when it is running idle in addition to the trigger time).

ENH003-15

For European countries only

EC Declaration of Conformity

Makita declares that the following Machine(s):

Designation of Machine:

Slide Compound Miter Saw

Model No./ Type: LS1018, LS1018L

Conforms to the following European Directives:

2006/42/EC

They are manufactured in accordance with the following standard or standardized documents:

EN61029

The technical file in accordance with 2006/42/EC is available from:

Makita, Jan-Baptist Vinkstraat 2, 3070, Belgium

30.5.2014



000331

Yasushi Fukaya

Director

Makita, Jan-Baptist Vinkstraat 2, 3070, Belgium

GEA010-1

General Power Tool Safety Warnings

⚠ WARNING Read all safety warnings and all instructions. Failure to follow the warnings and instructions may result in electric shock, fire and/or serious injury.

Save all warnings and instructions for future reference.

MITER SAW SAFETY WARNINGS

1. **Keep hands out of path of saw blade. Avoid contact with any coasting blade. It can still cause severe injury.**
2. **Check the saw blade carefully for cracks or deformation before operation. Replace damaged blades immediately.**
3. **Replace the kerf board when worn.**
4. **Use only saw blades specified by the manufacturer which conform to EN847-1.**
5. **Do not use saw blades manufactured from high speed steel.**
6. **Wear eye protection.**
7. **Wear hearing protection to reduce the risk of hearing loss.**
8. **Wear gloves for handling saw blade (saw blades shall be carried in a holder wherever practicable) and rough material.**
9. **Connect miter saws to a dust collecting device when sawing.**
10. **Select saw blades in relation to the material to be cut.**
11. **Do not use the saw to cut other than wood, aluminum or similar materials.**
12. **Always secure all moving portions before carrying the tool. When lifting or carrying the tool, do not use the guard as a carrying handle.**
13. **Do not operate saw without guards in place. Check blade guard for proper closing before each use. Do not operate saw if blade guard does not move freely and close instantly. Never clamp or tie the blade guard into the open position.**
14. **Keep the floor area free of loose material e.g. chips and cut-offs.**
15. **Use only saw blades that are marked with a maximum speed equal to or higher than the no load speed marked on the tool.**
16. **When the tool is fitted with a laser or LED, do not replace the laser or LED with a different type. Ask an authorized service center for repair.**
17. **Never remove any cut-offs or other parts of the workpiece from the cutting area whilst the tool is running with an unguarded saw blade.**
18. **Do not perform any operation freehand. The workpiece must be secured firmly against the turn base and guide fence with the vise during all operations. Never use your hand to secure the workpiece.**
19. **Ensure that the tool is stable before each cut.**
20. **Fix the tool to a work bench, if needed.**
21. **Support long workpieces with appropriate additional supports.**
22. **Never cut so small workpiece which cannot be securely held by the vise. Improperly held**

workpiece may cause kickback and serious personal injury.

23. **Never reach around saw blade.**
24. **Turn off tool and wait for saw blade to stop before moving workpiece or changing settings.**
25. **Unplug tool before changing blade or servicing.**
26. **Stopper pin which locks the cutter head down is for carrying and storage purposes only and not for any cutting operations.**
27. **Do not use the tool in the presence of flammable liquids or gases.** The electrical operation of the tool could create an explosion and fire when exposed to flammable liquids or gases.
28. **Use only flanges specified for this tool.**
29. **Be careful not to damage the arbor, flanges (especially the installing surface) or bolt. Damage to these parts could result in blade breakage.**
30. **Make sure that the turn base is properly secured so it will not move during operation.**
31. **For your safety, remove the chips, small pieces, etc. from the table top before operation.**
32. **Avoid cutting nails. Inspect for and remove all nails from the workpiece before operation.**
33. **Make sure the shaft lock is released before the switch is turned on.**
34. **Be sure that the blade does not contact the turn base in the lowest position.**
35. **Hold the handle firmly. Be aware that the saw moves up or down slightly during start-up and stopping.**
36. **Make sure the blade is not contacting the workpiece before the switch is turned on.**
37. **Before using the tool on an actual workpiece, let it run for a while. Watch for vibration or wobbling that could indicate poor installation or a poorly balanced blade.**
38. **Wait until the blade attains full speed before cutting.**
39. **Stop operation immediately if you notice anything abnormal.**
40. **Do not attempt to lock the trigger in the on position.**
41. **Be alert at all times, especially during repetitive, monotonous operations. Do not be lulled into a false sense of security. Blades are extremely unforgiving.**
42. **Always use accessories recommended in this manual. Use of improper accessories such as abrasive wheels may cause an injury.**
43. **Take care when slotting.**
44. **Some dust created from operation contains chemicals known to cause cancer, birth defects or other reproductive harm. Some examples of these chemicals are:**

- **Lead from lead-based-painted material and, arsenic and chromium from chemically-treated lumber.**
 - **Your risk from these exposures varies, depending on how often you do this type of work. To reduce your exposure to these chemicals: work in a well ventilated area and work with approved safety equipment, such as those dust masks that are specially designed to filter out microscopic particles.**
45. **To reduce the emitted noise, always be sure that the blade is sharp and clean.**
 46. **The operator is adequately trained in the use, adjustment and operation of the machine.**

SAVE THESE INSTRUCTIONS.

⚠WARNING:

DO NOT let comfort or familiarity with product (gained from repeated use) replace strict adherence to safety rules for the subject product. **MISUSE** or failure to follow the safety rules stated in this instruction manual may cause serious personal injury.

INSTALLATION

Bench mounting

Fig.1

When the tool is shipped, the handle is locked in the lowered position by the stopper pin. Release the stopper pin by simultaneously applying a slight downward pressure on the handle and pulling the stopper pin.

Fig.2

This tool should be bolted with four bolts to a level and stable surface using the bolt holes provided in the tool's base. This will help prevent tipping and possible injury.

FUNCTIONAL DESCRIPTION

⚠WARNING:

- **Always be sure that the tool is switched off and unplugged before adjusting or checking function on the tool.** Failure to switch off and unplug the tool may result in serious personal injury from accidental start-up.

Blade guard

Fig.3

When lowering the handle, the blade guard rises automatically. The blade guard returns to its original position when the cut is completed and the handle is raised.

⚠WARNING:

- **Never defeat or remove the blade guard or the spring which attaches to the guard.** An exposed blade as a result of defeated guarding may result in serious personal injury during operation.

In the interest of your personal safety, always maintain the blade guard in good condition. Any irregular operation of the blade guard should be corrected immediately. Check to assure spring loaded return action of guard.

⚠WARNING:

- **Never use the tool if the blade guard or spring are damaged, faulty or removed.** Operation of the tool with a damaged, faulty or removed guard may result in serious personal injury.

If the see-through blade guard becomes dirty, or sawdust adheres to it in such a way that the blade and/or workpiece is no longer easily visible, unplug the saw and clean the guard carefully with a damp cloth. Do not use solvents or any petroleum-based cleaners on the plastic guard because this may cause damage to the guard.

If the blade guard becomes dirty and needs to be cleaned for proper operation follow the steps below:

With the tool switched off and unplugged, use the supplied socket wrench to loosen the hex bolt holding the center cover. Loosen the hex bolt by turning it counterclockwise and raise the blade guard and center cover.

Fig.4

With the blade guard so positioned, cleaning can be more completely and efficiently accomplished. When cleaning is complete reverse procedure above and secure bolt. Do not remove spring holding blade guard. If guard becomes damaged through age or UV light exposure, contact a Makita service center for a new guard. **DO NOT DEFEAT OR REMOVE GUARD.**

Positioning kerf board

Fig.5

Fig.6

This tool is provided with the kerf boards in the turn base to minimize tearing on the exit side of a cut. The kerf boards are factory adjusted so that the saw blade does not contact the kerf boards. Before use, adjust the kerf boards as follows:

First, unplug the tool. Loosen all the screws (3 each on left and right) securing the kerf boards. Re-tighten them only to the extent that the kerf boards can still be easily moved by hand. Lower the handle fully and push in the stopper pin to lock the handle in the lowered position. Loosen the screw which secures the slide poles. Pull the carriage toward you fully. Adjust the kerf boards so that the kerf boards just contact the sides of the blade teeth. Tighten the front screws (do not tighten firmly). Push the carriage toward the guide fence fully and adjust the kerf boards so that the kerf boards just contact the sides of blade teeth. Tighten the rear screws (do not tighten firmly).

After adjusting the kerf boards, release the stopper pin and raise the handle. Then tighten all the screws securely.

NOTICE:

- **After setting the bevel angle ensure that the kerf boards are adjusted properly.** Correct adjustment of the kerf boards will help provide proper support of the workpiece minimizing workpiece tear out.

Maintaining maximum cutting capacity

This tool is factory adjusted to provide the maximum cutting capacity for a 255 mm saw blade.

Unplug the tool before any adjustment is attempted. When installing a new blade, always check the lower limit position of the blade and if necessary, adjust it as follows:

Fig.7

Fig.8

First, unplug the tool. Push the carriage toward the guide fence fully and lower the handle completely. Use the hex wrench to turn the adjusting bolt until the periphery of the blade extends slightly below the top surface of the turn base at the point where the front face of the guide fence meets the top surface of the turn base.

With the tool unplugged, rotate the blade by hand while holding the handle all the way down to be sure that the blade does not contact any part of the lower base. Re-adjust slightly, if necessary.

⚠WARNING:

- **After installing a new blade and with the tool unplugged, always be sure that the blade does not contact any part of the lower base when the handle is lowered completely.** If a blade makes contact with the base it may cause kickback and result in serious personal injury.

Stopper arm

Fig.9

The lower limit position of the blade can be easily adjusted with the stopper arm. To adjust it, move the stopper arm in the direction of the arrow as shown in the figure. Adjust the adjusting screw so that the blade stops at the desired position when lowering the handle fully.

Adjusting the miter angle

Fig.10

Loosen the grip by turning counterclockwise. Turn the turn base while pressing down the lock lever. When you have moved the grip to the position where the pointer points to the desired angle on the miter scale, securely tighten the grip clockwise.

⚠CAUTION:

- After changing the miter angle, always secure the turn base by tightening the grip firmly.

NOTICE:

- When turning the turn base, be sure to raise the handle fully.

Adjusting the bevel angle

Fig.11

To adjust the bevel angle, loosen the lever at the rear of the tool counterclockwise. Unlock the arm by pushing the handle somewhat strongly in the direction that you intend to tilt the saw blade.

NOTE:

- Lever can be adjusted to a different lever angle by removing the screw holding the lever and securing the lever at a desired angle.

Fig.12

Tilt the saw blade until the pointer points to the desired angle on the bevel scale. Then tighten the lever clockwise firmly to secure the arm.

Fig.13

When tilting the carriage to the right, tilt the carriage to the left slightly after loosening the lever and press the releasing button. With the releasing button being pressed, tilt the carriage to the right.

Fig.14

Tilt the saw blade until the pointer points to the desired angle on the bevel scale. Then tighten the lever clockwise firmly to secure the arm.

- When changing bevel angles, be sure to position the kerf boards appropriately as explained in the "Positioning kerf boards" section.

⚠CAUTION:

- After changing the bevel angle, always secure the arm by tightening the lever clockwise.

NOTICE:

- When tilting the saw blade be sure the handle is fully raised.

- When changing bevel angles, be sure to position the kerf boards appropriately as explained in the "Positioning kerf boards" section.

Slide lock adjustment

Fig.15

To lock the slide pole, turn the locking screw clockwise.

Switch action

For European countries

Fig.16

To prevent the switch trigger from being accidentally pulled, a lock-off button is provided. To start the tool, push the lever to the left, press in the lock-off button and then pull the switch trigger. Release the switch trigger to stop.

⚠WARNING:

- **Before plugging in the tool, always check to see that the switch trigger actuates properly and returns to the "OFF" position when released. Do not pull the switch trigger hard without pressing in the lock-off button. This can cause switch breakage.** Operating a tool with a switch that does not actuate properly can lead to loss of control and serious personal injury.

A hole is provided in the switch trigger for insertion of padlock to lock the tool off.

For all countries other than European countries

Fig.17

To prevent the switch trigger from being accidentally pulled, a lock-off button is provided. To start the tool, press in the lock-off button and pull the switch trigger. Release the switch trigger to stop.

⚠WARNING:

- **Before plugging in the tool, always check to see that the switch trigger actuates properly and returns to the "OFF" position when released. Do not pull the switch trigger hard without pressing in the lock-off button. This can cause switch breakage.** Operating a tool with a switch that does not actuate properly can lead to loss of control and serious personal injury.

A hole is provided in the switch trigger for insertion of padlock to lock the tool off.

⚠WARNING:

- **Do not use a lock with a shank or cable any smaller than 6.35 mm in diameter.** A smaller shank or cable may not properly lock the tool in the off position and unintentional operation may occur resulting in serious personal injury.
- **NEVER use tool without a fully operative switch trigger.** Any tool with an inoperative switch is HIGHLY DANGEROUS and must be repaired before further usage or serious personal injury may occur.

- For your safety, this tool is equipped with a lock-off button which prevents the tool from unintended starting. NEVER use the tool if it runs when you simply pull the switch trigger without pressing the lock-off button. A switch in need of repair may result in unintentional operation and serious personal injury. Return tool to a Makita service center for proper repairs BEFORE further usage.
- NEVER defeat the lock-off button by taping down or some other means. A switch with a defeated lock-off button may result in unintentional operation and serious personal injury.

Electronic function

Soft start feature

- This function allows the smooth start-up of the tool by limiting the start-up torque.

Laser beam action

For model LS1018L only

NOTE:

- Before the first use, install two AA dry cells in the cell box. Refer to the section titled "Replacing the dry cells for laser unit" for the installment.

⚠CAUTION:

- When not in use, be sure to turn off the laser

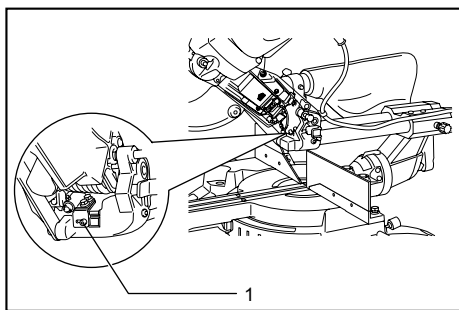
Fig.18

⚠CAUTION:

- Never look into the laser beam. Direct laser beam may injure your eyes.
- LASER RADIATION, DO NOT STARE INTO THE BEAM, CLASS 2 LASER PRODUCT.
- Before shifting the laser line or performing maintenance adjustment, be sure to unplug the tool.

To turn on the laser beam, press the upper position (I) of the switch. To turn off the laser beam, press the lower position (O) of the switch.

Laser line can be shifted to either the left or right side of the saw blade by loosening the screw holding the laser unit box and shifting it in the desired direction. After shifting, be sure to tighten the screw.



1. Screw holding the laser unit box

010473

Laser line is factory adjusted so that it is positioned within 1 mm from the side surface of the blade (cutting position).

NOTE:

- When laser line appears dim and hard to see because of direct sunlight, relocate the work area to a place where there is less direct sunlight.

Replacing the dry cells for laser unit

Fig.19

Fig.20

Remove the lid for the dry cells for laser unit by sliding while pressing it. Take out the old dry cells and put the new ones as shown in the figure. After replacing, return the lid to cover it.

Cleaning of the lens for the laser light

If the lens for the laser light becomes dirty, or sawdust adheres to it in such a way that the laser line is no longer easily visible, unplug the saw and remove and clean the lens for the laser light carefully with a damp, soft cloth. Do not use solvents or any petroleum-based cleaners on the lens.

NOTE:

- When laser line is dim and almost or entirely invisible because of the direct sunlight in the indoor or outdoor window-by work, relocate the work area to a place not exposed to the direct sunlight.

ASSEMBLY

⚠WARNING:

- Always be sure that the tool is switched off and unplugged before working on the tool.** Failure to switch off and unplug the tool may result in serious personal injury.

Storage of socket wrench with hex wrench on its other end

Fig.21

The socket wrench is stored as shown in the figure. When the socket wrench is needed it can be pulled out of the wrench holder. After using the socket wrench it can be stored by returning it to the wrench holder.

Installing or removing saw blade

⚠WARNING:

- Always be sure that the tool is switched off and unplugged before installing or removing the blade.** Accidental start up of the tool may result in serious personal injury.
- Use only the Makita socket wrench provided to install or remove the blade.** Failure to use the wrench may result in overtightening or insufficient tightening of the hex bolt and serious personal injury.

Fig.22

Lock the handle in the raised position by pushing in the stopper pin.

Fig.23

To remove the blade, use the socket wrench to loosen the hex bolt holding the center cover by turning it counterclockwise. Raise the blade guard and center cover.

⚠WARNING:

- **Do not remove any screw other than the hex bolt illustrated.** If you mistakenly remove another screw and the blade guard comes off, make sure to re-assemble the blade guard.

Fig.24

Press the shaft lock to lock the spindle and use the socket wrench to loosen the hex bolt clockwise. Then remove the hex bolt, outer flange and blade.

NOTE:

- If the inner flange is removed be sure to install it on the spindle with its protrusion facing away from the blade. If the flange is installed incorrectly the flange will rub against the machine.

⚠WARNING:

- **Before mounting the blade onto the spindle, always be sure that the correct ring for the blade's arbor hole you intend to use is installed between the inner and the outer flanges.** Use of the incorrect arbor hole ring may result in the improper mounting of the blade causing blade movement and severe vibration resulting in possible loss of control during operation and in serious personal injury.

Fig.25

To install the blade, mount it carefully onto the spindle, making sure that the direction of the arrow on the surface of the blade matches the direction of the arrow on the blade case.

Install the outer flange and hex bolt, and then use the socket wrench to tighten the hex bolt (left-handed) securely counterclockwise while pressing the shaft lock.

Fig.26

⚠CAUTION:

- The ring 25.4 mm or 30 mm in outer diameter is factory-installed onto the spindle. Before mounting the blade onto the spindle, always be sure that the correct ring for the arbor hole of the blade you intend to use is installed onto the spindle.

Install the outer flange and hex bolt, and then use the socket wrench to tighten the hex bolt securely counterclockwise while pressing the shaft lock.

Fig.27

Return the blade guard and center cover to its original position. Then tighten the hex bolt clockwise to secure the center cover. Release the handle from the raised position

by pulling the stopper pin. Lower the handle to make sure that the blade guard moves properly. Make sure the shaft lock has released spindle before making cut.

Dust bag (accessory)

Fig.28

The use of the dust bag makes cutting operations cleaner and dust collection easier. To attach the dust bag, fit it onto the dust nozzle.

When the dust bag is about half full, remove the dust bag from the tool and pull the fastener out. Empty the dust bag of its contents, tapping it lightly so as to remove particles adhering to the insides which might hamper further collection.

NOTE:

If you connect a vacuum cleaner to your saw, cleaner operations can be performed.

Securing workpiece

⚠WARNING:

- **It is extremely important to always secure the workpiece correctly with the proper type of vise or crown molding stoppers.** Failure to do so may result in serious personal injury and cause damage to the tool and/or the workpiece.
- **After a cutting operation do not raise the blade until it has come to a complete stop.** The raising of a coasting blade may result in serious personal injury and damage to the workpiece.
- **When cutting a workpiece that is longer than the support base of the saw, the material should be supported the entire length beyond the support base and at the same height to keep the material level.** Proper workpiece support will help avoid blade pinch and possible kickback which may result in serious personal injury. Do not rely solely on the vertical vise and/or horizontal vise to secure the workpiece. Thin material tends to sag. Support workpiece over its entire length to avoid blade pinch and possible KICKBACK.

Fig.29

Guide fence (SLIDING FENCE) adjustment

Fig.30

⚠WARNING:

- Before operating the tool, make sure that the sliding fence is secured firmly.
- **Before bevel-cutting, make sure that no part of the tool, especially the blade, contacts the fence when fully lowering and raising the handle in any position and while moving the carriage through its full range of travel.** If the tool or blade makes contact with the fence this may result in kickback or unexpected movement of the material and serious personal injury.

Fig.31

⚠CAUTION:

- When performing bevel cuts, slide the sliding fence to the left and secure it as shown in the figure. Otherwise, it will contact the blade or a part of the tool, causing possible serious injury to the operator.

This tool is equipped with the sliding fence which should ordinarily be positioned as shown in the figure.

However, when performing left bevel cuts, set it to the left position as shown in the figure if the tool head contacts it. When bevel-cutting operations are complete, don't forget to return the sliding fence to the original position and secure it by firmly tightening the clamping screw.

Sub-fence R

⚠WARNING:

- Before operating the tool, make sure that the sub-fence R is secured firmly.
- Before performing right bevel cuts, remove the sub-fence R. It will contact the blade or a part of the tool, causing possible serious injury to the operator.

Fig.32

The sub-fence R can be removed from the right side of the guide fence. To remove the sub-fence R, loosen the screw which secures the sub-fence R and pull it out. Follow the removal procedure in reverse to install it.

When bevel-cutting operations are complete, don't forget to return the sub-fence R to the original position and secure it by firmly tightening the clamping screw.

Vertical vise

Fig.33

The vertical vise can be installed on either the left or right side of the guide fence. Insert the vise rod into the hole in the guide fence and tighten the screw on the back of the guide fence to secure the vise rod.

Position the vise arm according to the thickness and shape of the workpiece and secure the vise arm by tightening the screw. If the screw to secure the vise arm contacts the guide fence, install the screw on the opposite side of vise arm. Make sure that no part of the tool contacts the vise when lowering the handle fully and pulling or pushing the carriage all the way. If some part contacts the vise, re-position the vise.

Press the workpiece flat against the guide fence and the turn base. Position the workpiece at the desired cutting position and secure it firmly by tightening the vise knob.

⚠WARNING:

- **The workpiece must be secured firmly against the turn base and guide fence with the vise during all operations.** If the workpiece is not properly secured against the fence the material may move during the cutting operation causing possible damage to the blade, causing the material to be thrown and loss of control resulting in serious personal injury.

Horizontal vise (optional accessory)

Fig.34

The horizontal vise can be installed in two positions on either the left or right side of the base. When performing 10° or greater miter cuts, install the horizontal vise on the side opposite the direction in which the turn base is to be turned.

Fig.35

By flipping the vise nut counterclockwise, the vise is released, and rapidly moves in and out. To grip the workpiece, push the vise knob forward until the vise plate contacts the workpiece and flip the vise nut clockwise. Then turn the vise knob clockwise to secure the workpiece.

The maximum width of workpiece which can be secured by the horizontal vise is 215 mm.

When installing the horizontal vise on the right side of the base, also use the sub-fence R to secure the workpiece more firmly. Refer to the "Sub-fence R" section described on previously for installing the sub-fence R.

⚠WARNING:

- **Always rotate the vise nut clockwise until the workpiece is properly secured.** If the workpiece is not properly secured the material may move during the cutting operation causing possible damage to the blade, causing the material to be thrown and loss of control resulting in serious personal injury.
- When cutting a thin workpiece, such as base boards, against the fence, always use the horizontal vise.

Holders

Fig.36

The holders can be installed on either side as a convenient means of holding workpieces horizontally. Slip fully the holder rods into the holes in the base. Then tighten the holders securely with the screws.

⚠WARNING:

- **Always support a long workpiece so it is level with the top surface of the turn base for an accurate cut and to prevent dangerous loss of tool control.** Proper workpiece support will help avoid blade pinch and possible kickback which may result in serious personal injury.

OPERATION

NOTICE:

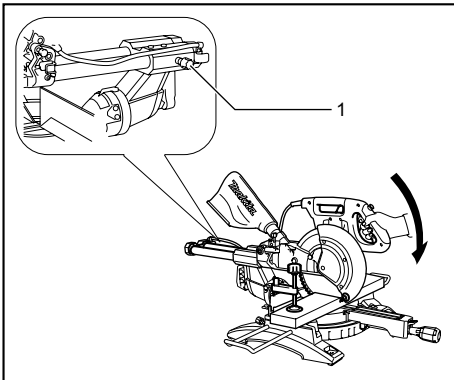
- Before use, be sure to release the handle from the lowered position by pulling the stopper pin.
- Do not apply excessive pressure on the handle when cutting. Too much force may result in overload of the motor and/or decreased cutting efficiency. Push down handle with only as much force as is necessary for smooth cutting and without significant decrease in blade speed.

- Gently press down the handle to perform the cut. If the handle is pressed down with force or if lateral force is applied, the blade will vibrate and leave a mark (saw mark) in the workpiece and the precision of the cut will be impaired.
- During a slide cut, gently push the carriage toward the guide fence without stopping. If the carriage movement is stopped during the cut, a mark will be left in the workpiece and the precision of the cut will be impaired.

⚠WARNING:

- **Make sure the blade is not contacting the workpiece, etc. before the switch is turned on.** Turning the tool on with the blade in contact with the workpiece may result in kickback and serious personal injury.

1. Press cutting (cutting small workpieces)



1. Locking screw

011409

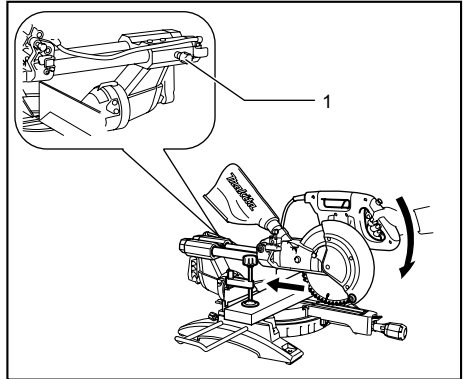
Workpieces up to 91 mm high and 70 mm wide can be cut in the following manner.

Push the carriage toward the guide fence fully and tighten the locking screw clockwise to secure the carriage. Secure the workpiece correctly with the proper type of vise. Switch on the tool without the blade making any contact and wait until the blade attains full speed before lowering. Then gently lower the handle to the fully lowered position to cut the workpiece. When the cut is completed, switch off the tool and **WAIT UNTIL THE BLADE HAS COME TO A COMPLETE STOP** before returning the blade to its fully elevated position.

⚠WARNING:

- **Firmly tighten the knob clockwise so that the carriage will not move during operation.** Insufficient tightening of the knob may cause possible kickback which may result in serious personal injury.

2. Slide (push) cutting (cutting wide workpieces)



1. Locking screw

011410

Loosen the locking screw counterclockwise so that the carriage can slide freely. Secure the workpiece with the proper type of vise. Pull the carriage toward you fully. Switch on the tool without the blade making any contact and wait until the blade attains full speed. Press the handle down and **PUSH THE CARRIAGE TOWARD THE GUIDE FENCE AND THROUGH THE WORKPIECE.** When the cut is completed, switch off the tool and **WAIT UNTIL THE BLADE HAS COME TO A COMPLETE STOP** before returning the blade to its fully elevated position.

⚠WARNING:

- **Whenever performing a slide cut, first pull the carriage full towards you and press the handle all the way down, then push the carriage toward the guide fence. Never start the cut with the carriage not pulled fully toward you.** If you perform the slide cut without the carriage pulled fully toward you unexpected kickback may occur and serious personal injury may result.
- **Never attempt to perform a slide cut by pulling the carriage towards you.** Pulling the carriage towards you while cutting may cause unexpected kickback resulting in possible serious personal injury.
- Never perform the slide cut with the handle locked in the lowered position.
- **Never loosen the locking screw which secures the carriage while the blade is rotating.** A loose carriage while cutting may cause unexpected kickback resulting in possible in serious personal injury.

3. Miter cutting

Refer to the previously covered "Adjusting the miter angle".

4. Bevel cut

Fig.37

Loosen the lever and tilt the saw blade to set the bevel angle (Refer to the previously covered "Adjusting the bevel angle"). Be sure to retighten the lever firmly to secure the selected bevel angle safely. Secure the workpiece with a vise. Make sure the carriage is pulled all the way back toward the operator. Switch on the tool without the blade making any contact and wait until the blade attains full speed. Then gently lower the handle to the fully lowered position while applying pressure in parallel with the blade and PUSH THE CARRIAGE TOWARD THE GUIDE FENCE TO CUT THE WORKPIECE. When the cut is completed, switch off the tool and WAIT UNTIL THE BLADE HAS COME TO A COMPLETE STOP before returning the blade to its fully elevated position.

⚠WARNING:

- **After setting the blade for a bevel cut, before operating the tool ensure that the carriage and blade will have free travel throughout the entire range of the intended cut.** Interruption of the carriage or blade travel during the cutting operation may result in kickback and serious personal injury.
- **While making a bevel cut keep hands out of the path of the blade.** The angle of the blade may confuse the operator as to the actual blade path while cutting and contact with the blade will result in serious personal injury.
- **The blade should not be raised until it has come to a complete stop.** During a bevel cut the piece cut off may come to rest against the blade. If the blade is raised while it is rotating the cut-off piece maybe ejected by the blade causing the material to fragment which may result in serious personal injury.

NOTICE:

- When pressing down the handle, apply pressure in parallel with the blade. If a force is applied perpendicularly to the turn base or if the pressure direction is changed during a cut, the precision of the cut will be impaired.
- Before bevel-cutting, an adjustment of sliding fence maybe required. Refer to the section titled "Guide fence adjustment".

⚠CAUTION:

- Always remove the sub-fence R so that it does not interfere any part of the carriage when performing right bevel cuts.

5. Compound cutting

Compound cutting is the process in which a bevel angle is made at the same time in which a miter angle is being cut on a workpiece. Compound cutting can be performed at the angle shown in the table.

Miter angle	Bevel angle
Left and Right 0° - 45°	Left and Right 0° - 45°

009713

When performing compound cutting, refer to "Press cutting", "Slide cutting", "Miter cutting" and "Bevel cut" explanations.

6. Cutting crown and cove moldings

Crown and cove moldings can be cut on a compound miter saw with the moldings laid flat on the turn base.

There are two common types of crown moldings and one type of cove moldings; 52/38° wall angle crown molding, 45° wall angle crown molding and 45° wall angle cove molding. See illustrations.

Fig.38

There are crown and cove molding joints which are made to fit "Inside" 90° corners ((1) and (2) in Fig. A) and "Outside" 90° corners ((3) and (4) in Fig. A).

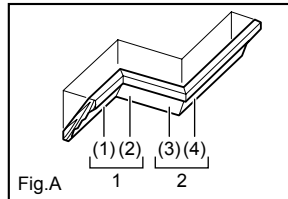


Fig.A

001556

1. Inside corner
2. Outside corner

Fig.39

Measuring

Measure the wall length and adjust workpiece on table to cut wall contact edge to desired length. Always make sure that cut workpiece length **at the back of the workpiece** is the same as wall length. Adjust cut length for angle of cut. Always use several pieces for test cuts to check the saw angles.

When cutting crown and cove moldings, set the bevel angle and miter angle as indicated in the table (A) and position the moldings on the top surface of the saw base as indicated in the table (B).

In the case of left bevel cut

Table (A)

	Molding position in Fig. A	Bevel angle		Miter angle	
		52/38° type	45° type	52/38° type	45° type
For inside corner	(1)	Left 33.9°	Left 30°	Right 31.6°	Right 35.3°
	(2)			Left 31.6°	Left 35.3°
For outside corner	(3)	Left 33.9°	Left 30°	Right 31.6°	Right 35.3°
	(4)			Right 31.6°	Right 35.3°

006361

Table (B)

	Molding position in Fig. A	Molding edge against guide fence	Finished piece
For inside corner	(1)	Ceiling contact edge should be against guide fence.	Finished piece will be on the Left side of blade.
	(2)	Wall contact edge should be against guide fence.	
For outside corner	(3)	Wall contact edge should be against guide fence.	Finished piece will be on the Right side of blade.
	(4)	Ceiling contact edge should be against guide fence.	

006362

Example:

In the case of cutting 52/38° type crown molding for position (1) in Fig. A:

- Tilt and secure bevel angle setting to 33.9° LEFT.
- Adjust and secure miter angle setting to 31.6° RIGHT.
- Lay crown molding with its broad back (hidden) surface down on the turn base with its CEILING CONTACT EDGE against the guide fence on the saw.
- The finished piece to be used will always be on the LEFT side of the blade after the cut has been made.

In the case of right bevel cut

Table (A)

	Molding position in Fig. A	Bevel angle		Miter angle	
		52/38° type	45° type	52/38° type	45° type
For inside corner	(1)	Right 33.9°	Right 30°	Right 31.6°	Right 35.3°
	(2)			Left 31.6°	Left 35.3°
For outside corner	(3)	Right 33.9°	Right 30°	Right 31.6°	Right 35.3°
	(4)			Left 31.6°	Left 35.3°

006363

Table (B)

	Molding position in Fig. A	Molding edge against guide fence	Finished piece
For inside corner	(1)	Wall contact edge should be against guide fence.	Finished piece will be on the Right side of blade.
	(2)	Ceiling contact edge should be against guide fence.	
For outside corner	(3)	Wall contact edge should be against guide fence.	Finished piece will be on the Left side of blade.
	(4)	Ceiling contact edge should be against guide fence.	

006364

Example:

In the case of cutting 52/38° type crown molding for position (1) in Fig. A:

- Tilt and secure bevel angle setting to 33.9° RIGHT.
- Adjust and secure miter angle setting to 31.6° RIGHT.

- Lay crown molding with its broad back (hidden) surface down on the turn base with its WALL CONTACT EDGE against the guide fence on the saw.
- The finished piece to be used will always be on the RIGHT side of the blade after the cut has been made.

7. Cutting aluminum extrusion**Fig.40****Fig.41**

When securing aluminum extrusions, use spacer blocks or pieces of scrap as shown in the figure to prevent deformation of the aluminum. Use a cutting lubricant when cutting the aluminum extrusion to prevent build-up of the aluminum material on the blade.

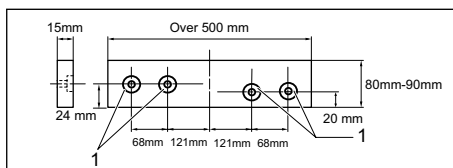
⚠WARNING:

- **Never attempt to cut thick or round aluminum extrusions.** Thick or round aluminum extrusions can be difficult to secure and may work loose during the cutting operation which may result in loss of control and serious personal injury.

8. Wood facing

Use of wood facing helps to assure splinter-free cuts in workpieces. Attach a wood facing to the guide fence using the holes in the guide fence.

See the figure concerning the dimensions for a suggested wood facing.

**1. Holes**

010563

⚠CAUTION:

- Use straight wood of even thickness as the wood facing.

⚠WARNING:

- **Use screws to attach the wood facing to the guide fence. The screws should be installed so that the screw heads are below the surface of the wood facing so that they will not interfere with the positioning of the material being cut.** Misalignment of the material being cut can cause unexpected movement during the cutting operation which may result in a loss of control and serious personal injury.

NOTICE:

- When the wood facing is attached, do not turn the turn base with the handle lowered. The blade and/or the wood facing will be damaged.

9. Groove cutting

Fig.42

A dado type cut can be made by proceeding as follows:

Adjust the lower limit position of the blade using the adjusting screw and the stopper arm to limit the cutting depth of the blade. Refer to "Stopper arm" section described previously.

After adjusting the lower limit position of the blade, cut parallel grooves across the width of the workpiece using a slide (push) cut as shown in the figure. Then remove the workpiece material between the grooves with a chisel.

⚠WARNING:

- **Do not attempt to perform this type of cut by using a wider type blade or dado blade.** Attempting to make a groove cut with a wider blade or dado blade could lead to unexpected cutting results and kickback which may result in serious personal injury
- **Be sure to return the stopper arm to the original position when performing other than groove cutting.** Attempting to make cuts with the stopper arm in the incorrect position could lead to unexpected cutting results and kickback which may result in serious personal injury.

⚠CAUTION:

- Be sure to return the stopper arm to the original position when performing other than groove cutting.

Carrying tool

Fig.43

Make sure that the tool is unplugged. Secure the blade at 0° bevel angle and the turn base at the full right miter angle position. Secure the slide poles so that the lower slide pole is locked in the position of the carriage fully pulled to operator and the upper poles are locked in the position of the carriage fully pushed forward to the guide fence (refer to the section titled "Slide lock adjustment".) Lower the handle fully and lock it in the lowered position by pushing in the stopper pin.

Wind the power supply cord using the cord rests.

⚠WARNING:

- **Stopper pin is only for carrying and storage purposes and should never be used for any cutting operations.** The use of the stopper pin for cutting operations may cause unexpected movement of the saw blade resulting in kickback and serious personal injury.

Carry the tool by holding both sides of the tool base as shown in the figure. If you remove the holders, dust bag, etc., you can carry the tool more easily.

⚠CAUTION:

- Always secure all moving portions before carrying the tool. If portions of the tool move or slide while being carried loss of control or balance may occur resulting in personal injury.

MAINTENANCE

⚠WARNING:

- **Always be sure that the tool is switched off and unplugged before attempting to perform inspection or maintenance.** Failure to unplug and switch off the tool may result in accidental start up of the tool which may result in serious personal injury.
- **Always be sure that the blade is sharp and clean for the best and safest performance.** Attempting a cut with a dull and /or dirty blade may cause kickback and result in a serious personal injury.

NOTICE:

- Never use gasoline, benzine, thinner, alcohol or the like. Discoloration, deformation or cracks may result.

Adjusting the cutting angle

This tool is carefully adjusted and aligned at the factory, but rough handling may have affected the alignment. If your tool is not aligned properly, perform the following:

1. Miter angle

Fig.44

Push the carriage toward the guide fence and tighten the locking screw to secure the carriage. Loosen the grip which secures the turn base. Turn the turn base so that the pointer points to 0° on the miter scale. Then turn the turn base slightly clockwise and counterclockwise to seat the turn base in the 0° miter notch. (Leave as it is if the pointer does not point to 0°.) Loosen the hex sockets bolts securing the guide fence using the socket wrench.

Fig.45

Lower the handle fully and lock it in the lowered position by pushing in the stopper pin. Square the side of the blade with the face of the guide fence using a triangular rule, try-square, etc. Then securely tighten the hex socket bolts on the guide fence in order starting from the right side.

Fig.46

Make sure that the pointer points to 0° on the miter scale. If the pointer does not point to 0°, loosen the screw which secures the pointer and adjust the pointer so that it will point to 0°.

2. Bevel angle

- (1) 0° bevel angle

Fig.47

Push the carriage toward the guide fence and tighten the locking screw to secure the carriage. Lower the handle fully and lock it in the lowered position by pushing in the stopper pin. Loosen the lever at the rear of the tool.

Fig.48

Turn the hex bolt on the right side of the arm two or three revolutions counterclockwise to tilt the blade to the right.

Fig.49

Carefully square the side of the blade with the top surface of the turn base using the triangular rule, try-square, etc. by turning the hex bolt on the right side of the arm clockwise. Then tighten the lever securely.

Fig.50

Make sure that the pointer on the arm point to 0° on the bevel scale on the arm holder. If they do not point to 0°, loosen the screw which secure the pointer and adjust it so that it will point to 0°.

- (2) 45° bevel angle

Fig.51

Adjust the 45° bevel angle only after performing 0° bevel angle adjustment. To adjust left 45° bevel angle, loosen the lever and tilt the blade to the left fully. Make sure that the pointer on the arm points to 45° on the bevel scale on the arm holder. If the pointer does not point to 45°, turn the 45° bevel angle adjusting bolt on the right side of the arm holder until the pointer points to 45°. To adjust the right 45° bevel angle, perform the same procedure as that described above.

Fig.52

Remove and check the carbon brushes regularly. Replace when they wear down to 3 mm in length. Keep the carbon brushes clean and free to slip in the holders. Both carbon brushes should be replaced at the same time. Use only identical carbon brushes.

Fig.53

Use a screwdriver to remove the brush holder caps. Take out the worn carbon brushes, insert the new ones and secure the brush holder caps.

After use

- After use, wipe off chips and dust adhering to the tool with a cloth or the like. Keep the blade guard clean according to the directions in the previously covered section titled "Blade guard". Lubricate the sliding portions with machine oil to prevent rust.

- When storing the tool, pull the carriage toward you fully.

To maintain product SAFETY and RELIABILITY, repairs, any other maintenance or adjustment should be performed by Makita Authorized Service Centers, always using Makita replacement parts.

OPTIONAL ACCESSORIES

WARNING:

- These Makita accessories or attachments are recommended for use with your Makita tool specified in this manual.** The use of any other accessories or attachments may result in serious personal injury.
- Only use the Makita accessory or attachment for its stated purpose.** Misuse of an accessory or attachment may result in serious personal injury.

If you need any assistance for more details regarding these accessories, ask your local Makita Service Center.

- Steel & Carbide-tipped saw blades

Miter saw blades	For smooth and precise cutting in various materials.
Combination	General purpose blade for fast and smooth rip, crosscuts and miters.
Crosscutting	For smoother cross grain cuts. Slices cleanly against the grain.
Fine cross cuts	For sand-free cuts cleanly against the grain.
Non-ferrous metals miter saw blades	For miters in aluminum, copper, brass, tubing, and other non-ferrous metals.

006526

- Sub-fence R
- Vise assembly (Horizontal vise)
- Vertical vise
- Socket wrench with hex wrench on its other end
- Holder
- Dust bag
- Elbow
- Triangular rule

NOTE:

- Some items in the list may be included in the tool package as standard accessories. They may differ from country to country.

SVENSKA (Originalbruksanvisning)

Förklaring till översiktsskilderna

1-1. Låstapp	21-2. Nyckelhållare	34-3. Tvingens ratt
2-1. Skruvar	22-1. Låstapp	36-1. Hållare
3-1. Klingskydd	23-1. Hylsnyckel	38-1. 52/38 ° kronlist
4-1. Klingskydd	23-2. Klingkåpa	38-2. 45 ° kronlist
5-1. Skruv	23-3. Mitthölje	38-3. 45 ° hållist
5-2. Spårbädd	23-4. Sexkantskruv	39-1. Insidan av hörn
6-1. Sågblad	23-5. Klingskydd	39-2. Utsidan av hörn
6-2. Sågtänder	24-1. Klingkåpa	40-1. Anslag
6-3. Spårbädd	24-2. Hylsnyckel	40-2. Tving
6-4. Vinkelsågning åt vänster	24-3. Sexkantskruv	40-3. Distanskloss
6-5. Rak sågning	24-4. Pil	40-4. Aluminiumstycke
6-6. Vinkelsågning åt höger	24-5. Spindellås	40-5. Distanskloss
7-1. Inställningsbult	25-1. Klingkåpa	41-1. Aluminiumstycke
7-2. Geringsskiva	25-2. Pil	41-2. Anslag
8-1. Geringsskivans ovansida	25-3. Pil	41-3. Distanskloss
8-2. Klingans ytterkant	25-4. Sågblad	41-4. Horisontal skruvtving (valfritt tillbehör)
8-3. Anslag	26-1. Sexkantskruv (vänstergångad)	42-1. Såga spår med blad
9-1. Stopparm	26-2. Yttre fläns	44-1. Sexkantskruv
9-2. Inställningsskruv	26-3. Sågblad	44-2. Anslag
10-1. Geringsskala	26-4. Ring	44-3. Handtag
10-2. Pil	26-5. Innerfläns	45-1. Anslag
10-3. Låsknapp	26-6. Spindel	45-2. Vinkelhake
10-4. Handtag	27-1. Hylsnyckel	46-1. Skruv
11-1. Spak	27-2. Klingkåpa	46-2. Pil
12-1. Spak	27-3. Mitthölje	46-3. Geringsskala
12-2. Arm	27-4. Sexkantskruv	47-1. Spak
12-3. Pil	27-5. Klingskydd	47-2. Arm
12-4. Vinkelskala	28-1. Dammunstycke	48-1. Justeringskruv 0 °
13-1. Spak	28-2. Dampåse	48-2. Justeringskruv för vänster 45 ° vinkel
14-1. Pil	28-3. Fästordning	49-1. Vinkelhake
14-2. Frikopplingsknapp	29-1. Stöd	49-2. Sågblad
14-3. Vinkelskala	29-2. Geringsskiva	49-3. Geringsskivans ovansida
15-1. Låsskruv	30-1. Skjutbart anhall	50-1. Skruv
16-1. Säkerhetsknapp	30-2. Låsskruv	50-2. Pil
16-2. Avtryckare	31-1. Skjutbart anhall	50-3. Vinkelskala
16-3. Spak	32-1. Stödanhåll H	51-1. Justeringskruv för höger 45 ° vinkel
16-4. Hål för hänglås	32-2. Skruvar	51-2. Justeringskruv för vänster 45 ° vinkel
17-1. Säkerhetsknapp	33-1. Tvingarm	53-1. Skruvmejsel
17-2. Avtryckare	33-2. Tvingens ratt	53-2. Kolhållarlock
17-3. Hål för hänglås	33-3. Stång till tving	
18-1. Strömbrytare till laser	33-4. Skruv	
20-1. Torrbatteri	33-5. Anslag	
21-1. Hylsnyckel med insexnyckel på dess andra ände	34-1. Tvingens platta	
	34-2. Tvingmutter	

SPECIFIKATIONER

Modell	LS1018 / LS1018L
Bladdiameter	255 mm - 260 mm
Klingtjocklek	1,6 mm - 2,4 mm
Håldiameter	
För alla länder utanför Europa	25,4 mm
För länder i Europa	30 mm
Max. sägkapacitet (H x B) med 260 mm i diameter	

Geringsvinkel	Vinkel för vinkelsågning		
	45° (vänster)	0°	45° (höger)
0°	50 mm x 310 mm	91 mm x 310 mm	31 mm x 310 mm
45°	50 mm x 220 mm	91 mm x 220 mm	31 mm x 220 mm
60° (höger)	-	91 mm x 153 mm	-

Obelastat varvtal (min ⁻¹)	4 300
Endast lasertyp (LS1018L)	Röd laser 650 nm, < 1 mW (laserklass 2)
Mått (L x B x H)	825 mm x 536 mm x 633 mm
Vikt	För alla länder utanför Europa.....19,8 kg För länder i Europa.....19,9 kg
Säkerhetsklass	II

- På grund av vårt pågående program för forskning och utveckling kan dessa specifikationer ändras utan föregående meddelande.
- Specifikationerna kan variera mellan olika länder.
- Vikt i enlighet med EPTA-procedur 01/2003

END222-4

Symboler

Följande visar symbolerna som används för utrustningen. Se till att du förstår innebörden innan du använder bormaskinen.



- Läs bruksanvisningen.



- DUBBEL ISOLERING



- Undvik skador från flygande materialrester genom att fortsatt hålla ned såghuvudet efter sågningen tills klingan har stannat helt.



- Vid bakåtriktad sågning, dra först löpvagnen ut så långt som möjligt, tryck sedan ned handtaget, skjut sedan löpvagnen mot anhållet.



- Håll inte handen eller fingrarna i närheten av sågbladet.



- Justera de skjutbara anhållen bort från klingan och klingskyddet.



- Ta alltid bort HÖGER STÖDANHÅLL vid vinkelsågning åt höger. I annat fall kan användaren skadas allvarligt.



- LASERSTRÅLNING: Titta inte in i strålen. Direkta laserstrålar kan skada ögonen.



- Gäller endast EU-länder
Elektrisk utrustning får inte kastas i hushållssoptorna!

Enligt EU-direktivet som avser äldre elektrisk och elektronisk utrustning och dess tillämpning enligt nationell lagstiftning ska uttjänt elektrisk utrustning sorteras separat och lämnas till miljövänlig återvinning.

ENE006-1

Användningsområde

Verktyget är avsett för exakt rät- och geringssågning i trä. Med lämpliga sågblad kan man även såga i aluminium.

ENF002-2

Strömförsörjning

Maskinen får endast anslutas till elnät med samma spänning som anges på typplåten och med enfasig växelström. De är dubbelisolerade och får därför också anslutas i ojordade vägguttag.

ENG905-1

Buller

Typiska A-vägda bullernivån är mätt enligt EN61029:

Ljudtrycksnivå (L_{PA}): 97 dB (A)
Ljudeffektnivå (L_{WA}): 103 dB (A)
Måttolerans (K) : 3 dB (A)

Använd hörselskydd

ENG900-1

Vibration

Vibrationens totalvärde (tre-axlars vektorsumma) mätt enligt EN61029:

Vibrationsemission (a_h): 2,5 m/s² eller lägre
Måttolerans (K): 1,5 m/s²

- Det deklarerade vibrationsemissionsvärdet har uppmätts i enlighet med standardtestmetoden och kan användas för jämförandet av en maskin med en annan.
- Det deklarerade vibrationsemissionsvärdet kan också användas i preliminär bedömning av exponering för vibration.

⚠ VARNING!

- Vibrationsemissionen under faktisk användning av maskinen kan skilja sig från det deklarerade emissionsvärdet, beroende på hur maskinen används.
- Se till att hitta säkerhetsåtgärder som kan skydda användaren och som grundar sig på en uppskattning av exponering i verkligheten (ta med i beräkningen alla delar av användandet såsom antal gånger maskinen är avstängd och när den körs på tomgång samt då startomkopplaren används).

ENH003-15

Gäller endast Europa

EU-konformitetsdeklaration

Makita försäkrar att följande maskiner:

Maskinbeteckning:

Skjutbar kap- och geringskombinationssåg

Modellnr./-typ: LS1018, LS1018L

Följer följande EU-direktiv:

2006/42/EC

De är tillverkade i enlighet med följande standard eller standardiseringsdokument:

EN61029

Den tekniska dokumentationen i enlighet med 2006/42/EG finns tillgänglig från:

Makita, Jan-Baptist Vinkstraat 2, 3070, Belgium

30.5.2014



000331

Yasushi Fukaya

Direktör

Makita, Jan-Baptist Vinkstraat 2, 3070, Belgium

GEA010-1

Allmänna säkerhetsvarningar för maskin

⚠ VARNING Läs igenom alla säkerhetsvarningar och instruktioner. Underlåtenhet att följa varningar och instruktioner kan leda till elektrisk stöt, brand och/eller allvarliga personskador.

Spara alla varningar och instruktioner för framtida referens.

SÄKERHETSVARNINGAR FÖR GERINGSSÅG

1. Håll händerna borta från bladets såglinje. Undvik kontakt med sågklingan. Den kan fortfarande orsaka allvarliga skador.
2. Kontrollera sågbladet noga avseende sprickor eller deformation före användning. Byt ut skadade blad omedelbart.
3. Byt ut sågskäret när det är slitet.
4. Använd endast sågblad som specificerats av tillverkaren som följer EN847-1.
5. Använd inte sågblad som tillverkats av snabbstål.
6. Använd ögonskydd.
7. Använd hörselskydd för att minska risken för hörselnedsättning.
8. Bär alltid handskar när du hanterar sågblad (sågblad ska alltid bäras i en hållare om det är möjligt) och grova material.
9. Anslut geringssågar till en anordning för dammuppsamling innan sågning.
10. Välj sågblad som passar det material som skall sågas.
11. Använd inte sågen till annat än för sågning av trä, aluminium eller liknande material.
12. Fäst alltid alla rörliga delar innan du bär maskinen. När du lyfter eller bär maskinen får skyddet inte användas som handtag.
13. Använd inte sågen om inte skydden är på plats. Kontrollera att det nedre skyddet är stängt före varje sågning. Använd inte sågen om det nedre skyddet kärvar och inte stängs omedelbart. Kila aldrig fast klingskyddet i öppet läge.
14. Håll golvet rent från löst material, t.ex. spån och avsågade bitar.
15. Använd endast sågblad som är märkta med ett maximalt varvtal som är lika med eller högre än varvtalet för ingen belastning som är märkt på maskinen.
16. Om maskinen har en laser eller LED, får inte laser eller LED ersättas med en annan typ. Fråga ett auktoriserat servicecenter avseende reparation.
17. Ta aldrig bort avsågade delar eller andra delar av arbetsstycket från arbetsområdet medan maskinen körs med ett oskyddat sågblad.
18. Utför aldrig sågning på frihand. Arbetsstycket måste sitta fast ordentligt mot bordet och anslaget med skruvstycket under alla arbetsmoment. Håll aldrig arbetsstycket med handen.
19. Kontrollera att maskinen är stabil före varje sågning.
20. Fäst maskinen på en arbetsbänk om det behövs.

21. Stöd långa arbetsstycken med lämpliga ytterligare stöd.
22. Säg aldrig så små arbetsstycken att de inte kan fästas ordentligt med tvingen. Ett felaktigt fastsatt arbetsstycke kan orsaka bakåtkast och allvarliga personskador.
23. Sträck dig aldrig runt sågbladet.
24. Stäng av verktyget och vänta tills sågbladet stannat innan du flyttar arbetsstycket eller ändrar inställningar.
25. Ta ut nätsladden före byte av sågblad eller service.
26. Läspinnen som läser såghuvudet på plats är endast avsedd att användas vid förvaring eller transport och inte för sågning.
27. Använd inte maskiner i närheten av lättantändliga vätskor eller gaser. När maskinen är igång kan den skapa en explosion och brand när den utsätts för lättantändliga vätskor eller gaser.
28. Använd endast flänsar avsedda för den här maskinen.
29. Var försiktig så att inte axeln, flänsarna (särskilt monteringsytan) eller bulten inte skadas. Skador på någon av dessa delar kan medföra att bladet förstörs.
30. Se till att bordet är ordentligt fast, så att det inte rör sig under arbetet.
31. Avlägsna av säkerhetsskäl spån, småbitar etc. från bordets översida innan arbetet påbörjas.
32. Undvik att säga i spik. Kontrollera arbetsstycket och ta bort alla spikar före arbetet.
33. Se till att spindellåset är öppet innan strömbrytaren slås på.
34. Kontrollera att bladet i sin lägsta position inte vidrör bordet.
35. Håll handtaget stadigt. Var uppmärksam på att sågen rör sig något upp och ned under start och stopp.
36. Se till att sågbladet inte är i kontakt med arbetsstycket innan du trycker på avtryckaren.
37. Låt verktyget vara igång en stund innan det används på arbetsstycket. Kontrollera att sågbladet inte vibrerar eller skakar vilket kan innebära att den är felaktigt monterad eller dåligt balanserad.
38. Vänta tills bladet når full hastighet innan du skär.
39. Stanna maskinen omedelbart om du lägger märke till något onormalt.
40. Försök inte att låsa avtryckaren i påslaget läge.
41. Var alltid uppmärksam, särskilt under upprepade, monotona arbeten. Låt dig inte vaggas in i säkerhet. Sågblad är mycket farliga.
42. Använd alltid de tillbehör som rekommenderas i denna bruksanvisning. Opassande tillbehör som till exempel sliprondeller kan orsaka skada om de används.
43. Var försiktig vid spårsågning.
44. Visst damm som skapas vid användning innehåller kemikalier som kan orsaka cancer, födelsedefekter eller annan skada vid fortplantning. Några exempel på dessa kemikalier är:
 - Bly från material som målats med blybaserad färg samt arsenik och krom från kemiskt behandlat virke.
 - Risker för exponering varierar beroende på hur ofta du utför denna typ av arbete. För att minska risken för exponering av dessa kemikalier: arbeta i ett välventilerat område och arbeta med godkänd säkerhetsutrustning som till exempel dammask vilken skapats speciellt för filtrering av mikroskopiska partiklar.
45. För att minska bullret, se alltid till att sågbladet är vasst och rengjort.
46. Att operatören är tillräckligt utbildad i användning, justering och drift av maskinen.

SPARA DESSA ANVISNINGAR.

⚠ VARNING!

GLÖM INTE att noggrant följa säkerhetsanvisningarna för maskinen även efter det att du har blivit van att använda den. OVARSAM hantering eller underlåtenhet att följa säkerhetsanvisningarna i denna bruksanvisning kan leda till allvarliga personskador.

INSTALLATION

Bänkmontage

Fig.1

När maskinen levereras från fabriken är handtaget låst i nedsänkt läge av låstappen. Ta bort låstappen genom att lätt tryck nedåt på handtaget samtidigt som du drar ut låstappen.

Fig.2

Maskinen skall fästas på en plan och stabil yta med fyra bultar i de bulhål som finns i maskinens sågbord. Detta förhindrar att maskinen välter och orsakar skada.

FUNKTIONSBESKRIVNING

VARNING!

- **Se alltid till att maskinen är avstängd och att nätsladden är urdragen innan du justerar eller funktionskontrollerar maskinen.** I annat fall kan det leda till möjlig allvarig personskada vid en oavsiktlig start.

Klingskydd

Fig.3

När handtaget sänks ned, höjs klingskyddet automatiskt. Klingskyddet återgår till sitt ursprungliga läge när sågningen är avslutad och handtaget är upphöjt.

VARNING!

- **Blockera aldrig eller avlägsna klingskyddet eller den fjäder som är fäst på skyddet.** I annat fall kan det leda till allvarig personskada under användningen.

För din personliga säkerhet bör klingskyddet alltid hållas i gott skick. Om klingskyddet inte fungerar som det ska måste detta åtgärdas direkt. Kontrollera även att fjädern går att klingskyddet går tillbaka.

VARNING!

- Använd aldrig maskinen om klingskyddet eller fjädern är skadad, inte fungerar korrekt eller är borttagen. I annat fall kan det leda till allvarig personskada.

Om det genomskinliga klingskyddet blir smutsigt eller om sågspån fastnar på det så att klingan och/eller arbetsstycket inte syns bra, måste maskinen kopplas bort från elnätet och skyddet rengöras noga med en fuktig trasa. Använd inte lösningsmedel eller petroleumbaserade rengöringsmedel då det skadar plasten i skyddet.

Om klingskyddet blir smutsigt och behöver rengöras, följ stegen nedan:

Med maskinen avstängd och nätsladden urdragen ska medföljande hylsnyckel användas för att lossa insexbulten som fäster mitthöljet. Lossa insexbulten moturs och lyft klingskyddet och mitthöljet.

Fig.4

Med klingskyddet i detta läge är en mer noggrann och effektiv rengöring möjlig. När rengöringen är klar utför du proceduren ovan på motsatt sätt och drar åt bulten. Ta inte bort det fjäderupphängda klingskyddet. Om klingskyddet blir skadat p.g.a. UV-ljus eller genom slitage kontakter du ett Makita servicecenter för att få ett nytt klingskydd. **KLINGSKYDDET FÅR ALDRIG BLOCKERAS ELLER TAS BORT.**

Inställning av spårbädd

Fig.5

Fig.6

Denna maskin är utrustad med spårbädden infälld i geringsskivan, för att göra slitaget vid utgången av sågningen så minimalt som möjligt. Spårbädden är fabriksinställd så att sågklingan inte kommer i kontakt med den. Ställ in spårbädden på följande sätt före användning:

Koppla först bort maskinen från elnätet. Lossa alla skruvar (3 skruvar på vardera vänster och höger sida) som håller fast spårbäddarna. Dra åt dem igen men endast så mycket att spårbäddarna fortfarande lätt kan röras för hand. Sänk ner handtaget helt och tryck in låstappen för att fästa handtaget i det nedsänkta läget. Lossa skruven som fäster skjutstängerna. Dra vagnen mot dig helt och hållet. Justera spårbäddarna så att de precis vidrör sidorna på sågklingans tänder. Dra åt de främre skruvarna (dra inte åt hårt). Skjut vagnen helt mot anhället och justera spårbäddarna så att de precis lätt vidrör sidorna på klingans sågtänder. Dra åt de bakre skruvarna (dra inte åt hårt).

Dra ur låstappen och lyft handtaget efter att spårbäddarna justerats. Dra sedan åt alla skruvar ordentligt.

OBS:

- **Försäkra dig om att spårbäddarna är korrekt justerad efter att du ställt in vinkeln för vinkelsågning.** Korrekt justering av spårbäddarna ger ordentligt stöd för arbetsstycket och minimerar risken för att arbetsstycket nöts sönder.

Upprätthållande av maximal sågkapacitet

Denna maskin är fabriksinställd för att ge maximal sågkapacitet med en 255 mm sågklinga.

Dra ur maskinens nätsladd innan några justeringar utförs. När en ny klinga monteras måste klingans lägsta position alltid kontrolleras och om det är nödvändigt, justera den enligt följande:

Fig.7

Fig.8

Koppla först bort maskinen från elnätet. Tryck vagnen fullt mot anhället och sänk maskinhandtaget helt och hållet. Använd insexnyckeln för att vrida inställningsbulten tills klingans ytterkant sticker ut en aning under geringsskivan, vid den punkt där anhällets framsida kommer i kontakt med geringsskivans ovsida.

Kontrollera att maskinens nätsladd är utdragen och snurra på klingan för hand, medan handtaget hålls ner fullständigt, och kontrollera att klingan inte kommer i kontakt med någon del av undre basplattan. Finjustera inställningen vid behov.

⚠VARNING!

- Efter monteringen av en ny klinga och med nätsladden urdragen måste du alltid kontrollera att klingan inte går emot någon del av den undre basplattan när handtaget sänks ner helt. I annat fall kan det orsaka bakåtkast och resultera i allvarlig personskada.

Stopparm

Fig.9

Den lägsta positionen för klingan kan enkelt justeras med stopparmen. Justera höjden genom att först föra stopparmen i pilens riktning, såsom visas i figuren. Justera inställningsskruven så att klingan stannar på önskat läge när maskinhandtaget sänks maximalt.

Justering av geringsvinkeln

Fig.10

Lossa handtaget genom att vrida det moturs. Vrid geringskivan medan låsspaken hålls nedtryckt. Dra åt handtaget ordentligt genom att vrida det medurs, när handtaget flyttats till det läge där pekaren indikerar önskad vinkel på geringskalan.

⚠FÖRSIKTIGT!

- Fäst alltid geringskivan genom att dra åt handtaget ordentligt efter ändringen av geringsvinkeln.

OBS:

- Lyft handtaget maximalt när geringskivan vrids.

Justering av vinkeln vid vinkelsågning

Fig.11

För att ändra vinkeln för vinkelsågning, lossar du spaken på maskinens baksida genom att dra den moturs. Frigör armen genom att trycka maskinhandtaget ganska kraftigt åt det håll du önskar luta klingan åt.

OBS!

- Spaken kan justeras till en annan vinkel genom att ta bort skruven som fäster spaken och fästa spaken i önskad vinkel.

Fig.12

Luta sågklingan tills pekaren indikerar önskad vinkeln på vinkelskalan. Dra sedan åt spaken medurs ordentligt för att fästa armen.

Fig.13

När du lutar vagnen åt höger, ska du luta vagnen lätt åt vänster efter att ha lossat spaken och sedan tryckt på frikopplingsknappen. Luta vagnen åt höger medan du trycker in frikopplingsknappen.

Fig.14

Luta sågklingan tills pekaren indikerar önskad vinkel på vinkelskalan. Dra sedan åt spaken medurs ordentligt för att fästa armen.

- Vid ändring av vinkeln för vinkelsågning måste spårbädden ställas in ordentligt såsom beskrivits i avsnittet "Inställning av spårbäddar".

⚠FÖRSIKTIGT!

- Fäst alltid armen genom att dra åt spaken medurs efter ändringen av vinkeln för vinkelsågning.

OBS:

- Lyft handtaget maximalt när sågklingan lutas.
- Vid ändring av vinkeln för vinkelsågning måste spårbädden ställas in ordentligt såsom beskrivits i avsnittet "Inställning av spårbäddar".

Inställning av skjutlås

Fig.15

Vrid låsskruven medurs för att låsa skjutstängan.

Avtryckarens funktion

För länder i Europa

Fig.16

En säkerhetsknapp förhindrar oavsiktlig aktivering av avtryckaren. För att starta maskinen för du spaken till vänster, trycker in säkerhetsknappen och sedan avtryckaren. Släpp avtryckaren för att stoppa maskinen.

⚠VARNING!

- **Innan du ansluter maskinen till elnätet ska du alltid kontrollera att avtryckaren fungerar och återgår till läget "OFF" när du släpper den. Tryck inte in avtryckaren hårt utan att ha tryckt in säkerhetsknappen. I annat fall kan avtryckaren gå sönder.** Att använda en maskin med en avtryckare som inte fungerar korrekt kan leda till att du tappar kontrollen över maskinen och orsaka allvarlig personskada.

Avtryckaren är försedd med ett hål för isättning av hänglås för att låsa maskinen.

För alla länder utanför Europa

Fig.17

En säkerhetsknapp förhindrar oavsiktlig aktivering av avtryckaren. Tryck in säkerhetsknappen och tryck sedan in avtryckaren för att starta maskinen. Släpp avtryckaren för att stoppa maskinen.

⚠VARNING!

- **Innan du ansluter maskinen till elnätet ska du alltid kontrollera att avtryckaren fungerar och återgår till läget "OFF" när du släpper den. Tryck inte in avtryckaren hårt utan att ha tryckt in säkerhetsknappen. I annat fall kan avtryckaren gå sönder.** Att använda en maskin med en avtryckare som inte fungerar korrekt kan leda till att du tappar kontrollen över maskinen och orsaka allvarlig personskada.

Avtryckaren är försedd med ett hål för isättning av hänglås för att låsa maskinen.

⚠VARNING!

- **Använd inte ett lås med en "nacke" eller kabel som är smalare än 6,35 mm i diameter.** En smalare "nacke" eller kabel låser eventuellt inte maskinen i off-läget och oavsiktlig aktivering kan uppstå vilket resulterar i allvarlig personskada.

- Använd **ALDRIG** maskinen om inte avtryckaren fungerar riktigt. Att använda maskinen när inte avtryckaren fungerar är **MYCKET FARLIGT**. Reparera den före fortsatt användning eftersom det annars kan orsaka allvarlig personskada.
- Denna maskin är utrustad med en säkerhetsknapp som förhindrar oavsiktlig start. Använd **ALDRIG** maskinen om den startar när du trycker på avtryckaren utan att ha tryckt in säkerhetsknappen. I annat fall kan det orsaka oavsiktligt aktivering och allvarlig personskada. Returnera maskinen till ett **MAKITA** servicecenter för reparation **INNAN** du fortsätter att använda den.
- Blockera **ALDRIG** säkerhetsknappen genom att tejpa fast den m.m. I annat fall kan det orsaka oavsiktligt aktivering och allvarlig personskada.

Elektronisk funktion

Mjukstartfunktion

- Denna funktion ger en mjuk uppstart av maskinen genom att begränsa vridmomentet vid uppstarten.

Laserstrålens funktion

Endast för modell LS1018L

OBS!

- Montera två AA-torr batterier i batterihållaren före första användningen. För montering, se avsnittet med rubriken "Utbyte av torr batterierna i laser enheten".

⚠ FÖRSIKTIGT!

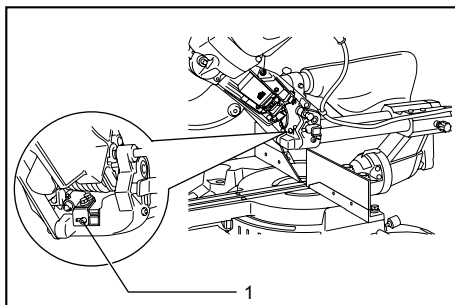
- Var noga med att stänga av lasern när den inte används

Fig.18

⚠ FÖRSIKTIGT!

- Titta aldrig in i laserstrålen. Direkt laserljus kan skada ögonen.
- **LASERSTRÅLNING, TITTA INTE DIREKT I LASERSTRÅLEN, LASERPRODUKT KLASS 2.**
- Se till att koppla bort maskinen från elnätet innan laserlinjen ändras eller när underhåll eller justering utförs.

Sätt på lasern genom att trycka upptill (1) på brytaren. Tryck nertill (0) på brytaren för att stänga av lasern. Laserlinjen kan flyttas antingen till vänster eller höger om sågklingans genom att lossa skruven som fäster laser enhetens låda och placera den i önskad riktning. Se till att dra åt skruven efter omplaceringen.



1. Skruv som fäster laser enhetens låda

010473

Laserlinsen är fabriksinställd så att den ligger inom 1 mm från sågklingans sida (sågposition).

OBS!

- När laserlinjen verkar oklar och är svår att se på grund av direkt solljus ska du byta till en mer skuggig arbetsplats.

Utbyte av torr batterierna i laser enheten

Fig.19

Fig.20

Ta bort locket för torr batterierna i laser enheten genom att skjuta på locket samtidigt som du trycker på det. Ta bort de gamla torr batterierna och sätt i de nya såsom visas i figuren. Sätt tillbaka locket för att täcka dem när det är klart.

Rengöring av laserns lins

Om laserns lins blir smutsig eller om sågspån fastnar på den så att inte laserlinjen syns stänger du av maskinen, tar bort linsen och rengör den försiktigt med en fuktig mjuk trasa. Använd inte lösningsmedel eller petroleum baserade rengöringsmedel på linsen.

OBS!

- När laserlinjen är suddig och nästan helt osynlig på grund av direkt solbelysning, inne eller ute, flyttar du arbetsplatsen till en plats som inte är solbelyst.

MONTERING

⚠ VARNING!

- **Se alltid till att maskinen är avstängd och att nätsladden är urdragen innan du utför arbete på maskinen.** I annat fall kan det leda till allvarlig personskada.

Förvaring av hylsnyckel med insexnyckel på dess andra ände

Fig.21

Hylsnyckeln förvaras på det sätt som framgår av bilden. När hylsnyckeln behöver användas kan den dras ut ur dess hållare. Efter användningen kan du förvara den i dess hållare igen.

Montering eller borttagning av sågblad

⚠ VARNING!

- **Se alltid till att maskinen är avstängd och nätsladden urdragen innan du monterar eller tar bort sågklingan.** Oavsiktlig start av maskinen kan leda till allvarlig personskada.
- **Använd endast medföljande hylsnyckel från Makita för att montera eller ta bort klingan.** I annat fall kan det leda till att insexbultarna dras åt för mycket eller för lite vilket kan resultera i allvarlig personskada.

Fig.22

Lås handtaget i det upphöjda läget genom att trycka in låstappen.

Fig.23

När du ska ta ur klingan använder du hylsnyckeln för att lossa på insexbulten som håller fast mitthöljet, genom att vrida den moturs. Lyft på klingskyddet och mitthöljet.

⚠ VARNING!

- **Ta inte bort någon annan skruv än den illustrerade sexkantsbulten.** Om du av misstag tar bort andra skruvar och klingskyddet lossnar ska du se till att montera klingskyddet igen.

Fig.24

Tryck på spindellåset för att låsa spindeln och använd hylsnyckeln för att lossa på insexbulten genom att vrida den medurs. Ta sedan bort insexbulten, den yttre flänsen och klingan.

OBS!

- Om den inre flänsen är borttagen måste du se till att montera den på spindeln med dess utskjutande del bort från klingan. Om flänsen inte monteras korrekt kommer den att skava mot maskinen.

⚠ VARNING!

- **Innan klingan monteras på spindeln ska du alltid se till att korrekt insatsring för axelhålet på den klinga du ska använda monteras mellan den inre och den yttre flänsen.** Att använda fel insatsring för axelhålet kan leda till felaktig montering av klingan vilket orsakar förflyttning av den och ger allvarliga vibrationer. Detta kan leda till att du förlorar kontrollen under användningen och orsaka allvarlig skada.

Fig.25

För att montera klingan sätter du den försiktigt på spindeln, och ser till att riktningen på den pil som finns på klingans sida stämmer överens med pilens riktning på klinghöljet.

Montera den yttre flänsen och insexbulten, och använd sedan hylsnyckeln för att dra åt insexbulten (vänstergängad, dras moturs) ordentligt medan du håller in spindellåset.

Fig.26

⚠ FÖRSIKTIGT!

- Ringen med en ytterdiameter på 25,4 mm eller 30 mm är fabriksmonterad på spindeln. Innan bladet monteras på spindeln, skall du alltid se till att korrekt insatsring för axelhålet på det blad du skall använda monteras på spindeln.

Montera den yttre flänsen och insexbulten, och använd sedan hylsnyckeln för att dra åt insexbulten (moturs) ordentligt medan du håller in spindellåset.

Fig.27

För tillbaka klingskyddet och mitthöljet till dess ursprungliga läge. Dra sedan åt insexbulten medurs för att fästa mitthöljet. Släpp handtaget från upplyft läge genom att dra ut låstappen. Sänk ner handtaget för att försäkra dig om att klingskyddet fungerar som det ska. Kontrollera att spindellåset inte längre låser fast spindeln innan du börjar såga.

Damppåse (tillbehör)

Fig.28

Användning av damppåsen ger ett renare sågarbete och förenklar uppsamlingen av damm. Anslut damppåsen på munstycket för dammutkastet.

Ta bort damppåsen från maskinen när den är cirka halvfull och dra ut plastlåset. Töm damppåsen på dess innehåll och slå lätt på den för att avlägsna partiklar som fastnat på insidan, vilket annars kan hindra fortsatt uppsamling.

OBS!

Du kan få renare under arbetet om du ansluter en dammsugare till sågen.

Fastsättning av arbetsstycke

⚠ VARNING!

- **Det är ytterst viktigt att alltid fästa arbetsstycket korrekt med rätt typ av tving eller kronliststopp.** I annat fall kan det leda till allvarlig personskada och orsaka skada på maskinen och/eller arbetsstycket.
- **Lyft aldrig klingan förrän den har stannat helt efter sågningen.** I annat fall kan det leda till allvarlig personskada och skada på arbetsstycket.
- **När du sågar ett arbetsstycke som är längre än sågens stödyta ska hela arbetsstycket stödjas, även den del som befinner sig utanför sågens stödyta, samt på samma höjd för att vara i nivå.** Detta för att undvika att klingan nyper fast och ett eventuellt bakåtkast vilket kan leda till allvarlig personskada. Lita inte enbart på den vertikala och/eller horisontala tvingen för att fästa arbetsstycket. Tunt material tenderar att svikta. Stötta hela arbetsstyckets längd för att undvika att klingan nyper fast och eventuellt orsakar BAKÅTKAST.

Fig.29

Justering av anhåll (SKJUTBART ANHÅLL)

Fig.30

⚠️VARNING!

- Kontrollera att det skjutbara anhållet är ordentligt fäst innan du använder maskinen.
- **Före vinkelsågning ska du se till att inga delar av maskinen, särskilt klingan, kommer i kontakt med anslaget när är handtaget sänks helt och förs uppåt i något läge och medan du flyttar vagnen genom hela dess rörelseområde.** Om maskinen eller klingan får kontakt med anhållet kan detta resultera i bakåtkast eller oväntad rörelse av material och allvarlig personskada.

Fig.31

⚠️FÖRSIKTIGT!

- För det skjutbara anhållet till vänster och fäst det såsom visas i figuren vid vinkelsågning. I annat fall kommer det i kontakt med klingan eller en del av maskinen, vilket kan leda till allvarliga skador på användaren.

Maskinen är utrustad med det skjutbara anhållet vilket vanligen ska placeras såsom visas i figuren.

Vid vänsterställd vinkelsågning ska det dock ställas in i det vänstra läget, såsom visas i figuren, om maskinhuvudet kommer i kontakt med det.

Glöm inte att flytta tillbaka det skjutbara anhållet till dess ursprungliga läge och fäst det genom att dra åt låsskruven hårt när vinkelsågningen är klar.

Stödanhåll R

⚠️VARNING!

- Kontrollera att stödanhållet R är ordentligt fäst innan du använder maskinen.
- Ta bort stödanhållet R innan högerställd vinkelsågning utförs. Stödanhållet kommer att komma i kontakt med klingan eller någon del av maskinen, vilket kan leda till allvarliga skador på användaren.

Fig.32

Stödanhållet R kan tas bort från anhållets högra sida. För att ta bort det lossar du skruven som fäster det och dra ut stödanhållet R. Följ denna procedur i omvänt ordning för att montera det.

Glöm inte att sätta tillbaka stödanhållet R i dess ursprungliga läge och fäst det genom att dra åt låsskruven ordentligt när vinkelsågningen är klar.

Vertikal tving

Fig.33

Den vertikala tvingen kan monteras antingen på vänster eller höger sida om anhållet. Sätt i tvingens fäststav i hålet på anhållet och dra åt skruven på anhållets baksida för att fästa tvingens fäststav.

Sätt tvingarmen i läge så att den passar till arbetsstyckets tjocklek och form och fäst den sedan

genom att dra åt skruven. Om skruven som fäster tvingarmen kommer i kontakt med anhållet måste den flyttas till tvingarmens andra sida. Se till att ingen del av maskinen kommer i kontakt med tvingen när maskinhandtaget sänks till sin lägsta position eller när vagnen skjuts framåt eller dras bakåt hela vägen. Om någon del kommer i kontakt med tvingen monterar du om den.

Tryck arbetsstycket plant mot anhållet och geringsskivan. Placera arbetsstycket i önskat sågläge och fäst det stadigt genom att dra åt tvingens ratt.

⚠️VARNING!

- **Arbetsstycket måste fästas säkert mot geringsskivan och anhållet med tvingen under all drift.** Om arbetsstycket inte är korrekt fäst mot anhållet kan arbetsstycket röra sig under sågarbetet och orsaka möjlig skada på klingan och att arbetsstycket kastas iväg samt att du förlorar kontroll över maskinen vilket leder till allvarlig personskada.

Horisontal skrutvting (valfritt tillbehör)

Fig.34

Den horisontala tvingen kan monteras i två lägen, antingen på vänster eller höger sida av sågbordet. Vid geringssågning i 10° eller mer, skall den horisontala tvingen monteras på motsatta sidan till den riktning i vilket geringsskivan skall vridas.

Fig.35

Genom att vrida tvingmuttern moturs frigörs tvingen och kan snabbt flyttas inåt och utåt. För att fästa ett arbetsstycke trycker du tvingens ratt framåt tills tvingens platta kommer i kontakt med arbetsstycket och vrid sedan tvingmuttern medurs. Fästa sedan arbetsstycket genom att vrida tvingens ratt medurs.

Den maximala bredden på arbetsstycke som kan fästas med den horisontala tvingen är 215 mm.

Vid montering av den horisontala tvingen på sågbordets högra sida, skall stödanhållet R också användas för att fästa arbetsstycket mer ordentligt. Se avsnittet "Stödanhåll R" som tidigare beskrivits för montering av stödanhåll R.

⚠️VARNING!

- **Rotera alltid tvingmuttern medurs tills arbetsstycket är ordentligt fäst.** I annat fall kan arbetsstycket röra sig under sågarbetet och orsaka möjlig skada på klingan och att arbetsstycket kastas iväg samt att du tappar kontrollen över maskinen, vilket kan leda till allvarlig personskada.
- Använd alltid den horisontala tvingen när du sågar ett tunt arbetsstycke, såsom golvlister, mot anhållet.

Hållare

Fig.36

Hållarna kan monteras på endera sidan för att på ett praktiskt och bekvämt sätt hålla arbetsstyckena horisontellt. Skjut in hållarens fäststavar helt i hålen i sågbordet. Fäst sedan hållarna ordentligt med skruvarna.

⚠ VARNING!

- **Stöd alltid ett långt arbetsstycke så att det är på samma nivå som geringsskivans ovansida för att få ett exakt sågresultat och för att förhindra att du förlorar kontrollen över maskinen.** Med korrekt stöd av arbetsstycket undviker du att klingan nyper fast och eventuellt orsakar ett BAKÅTKAST vilket kan resultera i allvarlig personskada.

ANVÄNDNING

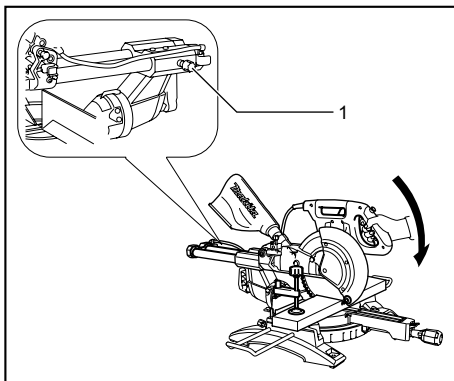
OBS:

- Se till att lösgöra handtaget från dess nedsänkta läge genom att dra ut låstappen.
- Tryck inte för mycket på handtaget vid sågningen. Detta kan leda till att motorn överbelastas och/eller försämrad sågning. Tryck ner handtaget endast så mycket som behövs för att sågningen ska löpa smidigt utan att klingans hastighet minskar påtagligt.
- Tryck försiktigt ner handtaget för att såga. Om handtaget trycks ner hårt eller i sidled kommer klingan att vibrera vilket ger sågmärken i arbetsstycket samtidigt som sågprecisionen försämras.
- Vid skjutsågning skall vagnen försiktigt tryckas mot anhället utan att stoppa. Om vagnens rörelser upphör under sågningen lämnas ett märke på arbetsstycket och precisionen i snittet minskar.

⚠ VARNING!

- **Kontrollera att inte klingan är i kontakt med arbetsstycket eller något annat innan sågen sätts på.**
I annat fall kan det leda till bakåtkast och allvarlig personskada.

1. Sågning genom tryck (sågning av små arbetsstycken)



1. Låsskruv

011409

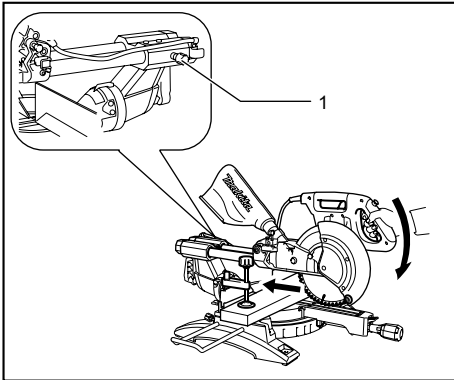
Arbetsstycken som är upp till 91 mm höga och 70 mm breda kan sågas på följande sätt.

Tryck vagnen fullständigt mot anhället och dra åt låsskruven medurs för att fästa vagnen. Fäst arbetsstycket rätt med passande sorts tving. Starta maskinen utan att klingan har kontakt med arbetsstycket och vänta tills klingan har uppnått full hastighet innan du sänker ner den. Sänk sedan handtaget försiktigt tills det har sänkts helt, för att såga arbetsstycket. Stäng av maskinen när sågningen är avslutad och VÄNTA TILLS KLINGAN HAR STANNAT FULLSTÄNDIGT, innan klingan återförs till sitt helt uppfällda läge.

⚠ VARNING!

- **Dra åt ratten ordentligt medurs så att vagnen inte rör sig under användningen.** I annat fall kan det leda till bakåtkast vilket kan orsaka allvarlig personskada som följd.

2. Sågning genom skjutning (sågning av breda arbetsstycken)



1. Låsskruv

011410

Lossa låsskruven moturs så att vagnen kan skjutas fritt. Fäst arbetsstycket med rätt sorts tving. Dra vagnen mot dig helt och hållet. Starta maskinen utan att klingan vidrör arbetsstycket och vänta tills klingan uppnår full hastighet. Tryck ner handtaget och SKJUT VAGNEN MOT ANHÅLLET FÖR ATT SÅGA IGENOM ARBETSSTYCKET. Stäng av maskinen när sågningen är avslutad och VÄNTA TILLS KLINGAN HAR STANNAT FULLSTÄNDIGT innan klingan återförs till sitt helt uppfällda läge.

⚠VARNING!

- Vid skjutsågning ska du först dra vagnen fullständigt mot dig och trycka ner handtaget till dess helt nedsänkta läge. Skjut sedan vagnen mot anhållet. Börja aldrig sågningen om vagnen inte är dragen fullständigt mot dig. Om skjutsågning utförs utan att du dragit vagnen helt mot dig kan ett bakåtkast uppstå med risk för allvarlig personskada.
- Försök aldrig att utföra en skjutsågning genom att dra vagnen mot dig. Att dra vagnen mot dig medan du sågar kan orsaka bakåtkast vilket resulterar i möjlig personskada.
- Utför aldrig skjutsågning med handtaget låst i det nedsänkta läget.
- Lossa aldrig på låsskruven som fäster vagnen medan klingan roterar. Om vagnen är lös medan du sågar kan det orsaka ett bakåtkast vilket kan resultera i allvarlig personskada.

3. Geringssågning

Se avsnittet "Inställning av geringsvinkeln" som förklarats tidigare.

4. Vinkelsågning

Fig.37

Lossa spaken och luta sågklingan till den önskade vinkeln (se avsnittet "Inställning av vinkeln för vinkelsågning" som beskrivits tidigare). Se till att spaken dras åt ordentligt för att fästa sågen säkert i den valda vinkeln. Fäst arbetsstycket med en tving. Kontrollera att vagnen har dragits tillbaka så långt det går mot användaren. Starta maskinen utan att klingan vidrör arbetsstycket och vänta tills klingan uppnår full hastighet. Sänk sedan handtaget försiktigt till dess helt nedsänkta läge medan tryck parallellt med klingan anläggs och SKJUT VAGNEN MOT ANHÅLLET FÖR ATT SÅGA ARBETSSTYCKET. Stäng av maskinen när sågningen är avslutad och VÄNTA TILLS KLINGAN HAR STANNAT FULLSTÄNDIGT innan klingan återförs till sitt helt uppfällda läge.

⚠VARNING!

- Efter inställning av klingan för vinkelsågning och innan du börjar arbeta med maskinen, ska du se till att vagnen och klingan har fri väg genom hela skäret. Vagns- eller klingavbrott under sågningen kan orsaka bakåtkast och allvarlig personskada.
- Håll händerna borta från klingans såglinje när du utför en vinkelsågning. Klingans vinkel och den verkliga såglinjen kan förvirra användaren under sågningen och kontakt med klingan orsakar allvarlig personskada.
- Klingan ska aldrig lyftas förrän den har stannat helt. Under vinkelsågning kan det avsågade stycket ligga kvar mot klingan. Om klingan lyfts upp medan den roterar kan det avsågade stycket kastas ut av klingan och orsaka att material fragmenteras vilket kan resultera i allvarlig personskada.

OBS:

- När du trycker ner handtaget ska du trycka i samma riktning som klingan lutar. Om tryck anläggs vinkelrätt mot geringsskivan eller om tryckets riktning ändras under pågående sågning, minskar sågprecisionen.
- Innan vinkelsågning kan en justering av det skjutbara anhållet erfordras. Se avsnittet "Justering av anhåll".

⚠FÖRSIKTIGT!

- Skjut eller ta alltid bort stödanhållet R så att det inte hindrar någon del av vagnen när vinkelsågning utförs.

5. Kombinationssågning

Kombinationssågning är en process där vinkelsågning utförs i kombination med att en geringsvinkel sågas i ett arbetsstycke. Kombinationssågning kan utföras vid vinkel som visas i tabellen nedan.

Geringsvinkel	Vinkel för vinkelsågning
Vänster och höger 0°- 45°	Vänster och höger 0°- 45°

009713

Se avsnittet "Sågning genom tryck", "Sågning genom skjutning", "Geringssågning" och "Vinkelsågning" när du vill utföra kombinationssågning.

6. Sågning av kron- och hållister

Kron- och hållister kan sägas på en kap- och geringskombinationssåg med listerna placerade plant på geringsskivan.

Det finns två vanliga sorter av kronlister och en sort av hållist; 52/38° väggvinklad kronlist, 45° väggvinklad kronlist och 45° väggvinklad hållist. Se illustrationer.

Fig.38

Det finns kron- och hållistkarvar som är gjorda för att passa på "insidan" av 90° hörn ((1) och (2) i fig. A) och "utsidan" av 90° hörn ((3) och (4) i fig. A).

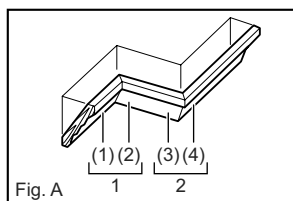


Fig. A

001556

1. Insidan av hörn
2. Utsidan av hörn

Fig.39

Mätning

Mät vägglängden och justera arbetsstycket på bordet för att såga väggkontaktytan till önskad längd. Kontrollera alltid att längden för det sågade arbetsstycket **på arbetsstyckets baksida** är densamma som vägglängden. Justera såglängden för sågvinkeln. Använd alltid flera bitar för testsågning för att kontrollera sågvinkeln.

Vid sågning av kron- och hållister ska vinkeln för vinkelsågning och geringsvinkeln ställas in såsom anges i tabell (A) och listerna placeras på sågbordet såsom visas i tabell (B).

Vid vänsterställd vinkelsågning

Tabell (A)

	Listens läge i fig. A	Vinkel för vinkelsågning		Geringsvinkel	
		52/38° sort	45° sort	52/38° sort	45° sort
För insidan av hörn	(1)	Vänster 33,9°	Vänster 30°	Höger 31,6°	Höger 35,3°
	(2)			Vänster 31,6°	Vänster 35,3°
För utsidan av hörn	(3)			Höger 31,6°	Höger 35,3°
	(4)				

006361

Tabell (B)

	Listens läge i fig. A	Listkanten mot anslaget	Färdigt arbetsstycke
För insidan av hörn	(1)	Takkanten ska ligga an mot anslaget.	Det färdiga arbetsstycket hamnar på klingans vänstra sida.
	(2)	Väggkontaktytan ska ligga an mot anslaget.	
För utsidan av hörn	(3)	Takkanten ska ligga an mot anslaget.	Det färdiga arbetsstycket hamnar på klingans högra sida.
	(4)		

006362

Exempel:

Vid sågning av kronlist med 52/38° för position (1) i fig. A:

- luta och fäst vinkeln vid 33,9° LEFT (VÄNSTER).
- Justera och fäst geringsvinkeln vid 31,6° RIGHT (HÖGER).
- lägg kronlisten med dess breda baksida (dold) ner mot geringsskivan och med TAKKANTEN mot anhållet på sågen.
- Den färdiga biten som ska användas är alltid på VÄNSTER sida om klingan efter det att sågningen är avslutad.

Vid högerställd vinkelsågning

Tabell (A)

	Listens läge i fig. A	Vinkel för vinkelsågning		Geringsvinkel	
		52/38° sort	45° sort	52/38° sort	45° sort
För insidan av hörn	(1)	Höger 33,9°	Höger 30°	Höger 31,6°	Höger 35,3°
	(2)			Vänster 31,6°	Vänster 35,3°
För utsidan av hörn	(3)			Höger 31,6°	Höger 35,3°
	(4)				

006363

Tabell (B)

	Listens läge i fig. A	Listkanten mot anslaget	Färdigt arbetsstycke
För insidan av hörn	(1)	Väggkontaktytan ska ligga an mot anslaget.	Det färdiga arbetsstycket hamnar på klingans högra sida.
	(2)	Takkanten ska ligga an mot anslaget.	
För utsidan av hörn	(3)	Väggkontaktytan ska ligga an mot anslaget.	Det färdiga arbetsstycket hamnar på klingans vänstra sida.
	(4)		

006364

Exempel:

Vid sågning av kronlist med 52/38° för position (1) i fig. A:

- luta och fäst vinkeln vid 33,9° RIGHT (HÖGER).
- Justera och fäst geringsvinkeln vid 31,6° RIGHT (HÖGER).
- lägg kronlisten med dess breda baksida (dold) ner på geringsskivan med VÄGGKONTAKTYTAN mot anslaget på sågen.

- Den färdiga biten som ska användas är alltid på HÖGER sida om klingan efter det att sågningen är avslutad.

7. Sågning av aluminiumstycken

Fig.40

Fig.41

Använd klossar eller träbitar när ett aluminiumstycke skall fästas såsom visas i figuren, för att förhindra att aluminiumstycket deformeras. Använd sågolja vid sågningen i aluminium, för att förhindra att aluminiummaterialet fastnar och lagras på klingan.

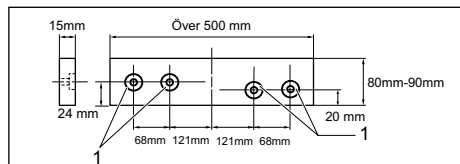
⚠️ VARNING!

- **Försök aldrig såga tjocka eller runda aluminiumstycken.** Tjocka eller runda aluminiumstycken kan vara svåra att fästa och kan lossa under arbetet vilket kan leda till att du tappar kontrollen över maskinen och allvarlig skada uppstår.

8. Träskoning

Skoning med trä hjälper att ge stickfri sågning av arbetsstycken. Sätt fast en skoning på anhållet med hjälp av hålen i anhållet.

I figuren visas dimensionerna på föreslagen träskoning.



1. Hål

010563

⚠️ FÖRSIKTIGT!

- Använd ett rakt trästycke av jämn tjocklek som skoning.

⚠️ VARNING!

- **Använd skruvar för att fästa träskoningen till anhållet. Skruvarna ska fästas så att skruvhuvudena är placerade lägre än träskoningens yta, så att de inte påverkar läget för det material som ska sågas.** Felaktig inriktning av materialet som ska sågas kan orsaka oväntad rörelse under sågarbetet vilket kan leda till att du förlorar kontrollen och orsaka allvarlig personskada.

OBS:

- Vrid inte på geringssskivan när träskoningen sitter på och handtaget är nedsänkt. Detta skadar klingan och/eller träskoningen.

9. Spårsågning

Fig.42

Spårsågning kan utföras genom att göra på följande sätt:

Justera klingans lägsta position genom att vrida på inställningskraven och stopparmen för att ställa in klingans sågdjup. Se avsnittet "Stopparm" som beskrivits tidigare.

Såga parallella spår tvärs över arbetsstyckets hela bredd genom skjutsågning (trycksågning), såsom visas i figuren, efter att klingans nedre gränsläge justerats. Avlägsna sedan materialet mellan spåren på arbetsstycket med ett stämjärn.

⚠️ VARNING!

- **Försök inte utföra denna typ av sågning genom att använda en bredare (tjockare) klinga eller en dadoklinga.** I annat fall kan det leda till oväntade sågresultat och möjligt bakåtkast vilket kan resultera i allvarlig personskada.
- **Se noga till att stopparmen återförs till det ursprungliga läget vid annan sågning än spårsågning.** Att försöka såga med stopparmen i fel läge kan leda till oväntade sågresultat och bakåtkast vilket kan resultera i allvarlig personskada.

⚠️ FÖRSIKTIGT!

- Se noga till att stopparmen återförs till det ursprungliga läget vid annan sågning än spårsågning.

Bära maskinen

Fig.43

Se till att maskinens nätsladd är utdragen. Fäst klingan vid 0° vinkel för vinkelsågning och vrid geringssskivan helt mot höger geringsvinkel. Fäst skjutstängerna så att den nedre skjutstängens är låst i vagnsläget och helt dragen mot användaren, och de övre skjutstängerna är låsta i vagnsläget och helt tryckta framåt mot anslaget (se avsnittet med rubriken "Inställning av skjutlås.") Sänk ner handtaget helt och lås det i nedsänkt läge genom att trycka in låstappen.

Linda upp strömkabeln med kabelhållaren.

⚠️ VARNING!

- **Låstappen används endast när maskinen ska transporteras och förvaras. Aldrig under sågarbeten.** Att använda låstappen vid sågarbeten kan leda till oavsiktlig rörelse av sågklingan vilket orsakar bakåtkast och allvarlig personskada.

Bär maskinen genom att hålla i båda sidorna av sågbordet, såsom visas i figuren. Om hållare, dampåse etc. tas bort går det lättare att bära maskinen.

⚠FÖRSIKTIGT!

- Fäst alltid alla rörliga delar innan du bär maskinen. Om delar av maskinen rör sig eller glider medan du bär den kan du förlora kontrollen eller balansen över maskinen vilket kan leda till personskada.

UNDERHÅLL

⚠VARNING!

- **Se alltid till att maskinen är avstängd och nätsladden urdragen innan du inspekterar eller utför underhåll på den.** I annat fall kan det leda till möjlig allvarlig personskada vid en oavsiktlig start.
- **Se alltid till att klingan är vass och ren för att få ett så bra och säkert resultat som möjligt.** Att försöka såga med en slö och/eller smutsig klinga kan orsaka bakåtkast och resultera i allvarlig personskada.

OBS:

- Använd inte bensin, thinner, alkohol eller liknande. Missfärgning, deformation eller sprickor kan uppstå.

Inställning av sågvinkeln

Maskinen är noga inställd och inriktad på fabriken, men ovarsam hantering kan påverka detta. Om maskinen inte är korrekt riktad gör du på följande sätt:

1. Geringsvinkel

Fig.44

Tryck vagnen mot anhållet och dra åt låsskruven för att fästa vagnen.

Lossa handtaget som fäster geringsskivan. Vrid geringsskivan så att pekaren indikerar 0° på geringsskalan. Vrid sedan geringsskivan en aning medurs och moturs för att sätta geringsskivan i hacket för 0° geringsvinkel. (Lämna det som det är om pekaren inte indikerar 0°.) Lossa insexbultarna som fäster anhållet med hylsnyckeln.

Fig.45

Sänk ner handtaget helt och lås det i nedsänkt läge genom att trycka in låstappen. Justera klingans sida och anhållets framsida i rät vinkel med en vinkelhake, vinkellinjal etc. Dra sedan åt insexbultarna ordentligt som håller anhållet, i ordningen med start från höger sida.

Fig.46

Kontrollera att pekaren indikerar 0° på geringsskalan. Om pekaren inte pekar på 0° lossar du skruven som fäster pekaren och justerar pekaren så att den indikerar 0°.

2. Vinkel för vinkelsågning

(1) 0° vinkel för vinkelsågning

Fig.47

Tryck vagnen mot anhållet och dra åt låsskruven för att fästa vagnen. Sänk ner handtaget helt och lås det i nedsänkt läge genom att trycka in låstappen. Lossa spaken på maskinens baksida.

Fig.48

Vrid insexbulten på armens högra sida två eller tre varv moturs, för att luta klingan åt höger.

Fig.49

Justera noggrant klingans sida och geringsskivans ovasida i rät vinkel med en vinkelhake, vinkellinjal etc. genom att vrida insexbulten på armens högra sida medurs. Dra sedan åt spaken ordentligt.

Fig.50

Kontrollera att pekaren på armen indikerar 0° på armhållarens vinkelskala. Om de inte skulle peka på 0° lossar du skruven som fäster pekaren och justerar den så att den indikerar 0°.

(2) 45° vinkel för vinkelsågning

Fig.51

Justera vinkeln för 45° vinkelsågning först efter att vinkeln för 0° vinkelsågning har ställts in. Lossa spaken och luta klingan så långt som det går till vänster, för att justera vänster vinkel för 45° vinkelsågning. Kontrollera att pekaren på armen indikerar 45° på armhållarens vinkelskala. Om pekaren inte indikerar 45° vrids du den 45° inställningsbulten för vinkel för vinkelsågning på armhållarens högra sida tills pekaren indikerar 45°.

För att justera den högra 45° vinkelsågningen, utför samma procedur som beskrivits ovan.

Fig.52

Ta bort och kontrollera kolborstarna regelbundet. Byt dem när de är nedslitna till 3 mm längd. Håll kolborstarna rena så att de lätt kan glida in i hållarna. Båda kolborstarna ska bytas ut samtidigt. Använd endast identiska kolborstar.

Fig.53

Använd en skruvmejsel för att ta bort locken till kolborstarna. Ta ur de utslitna kolborstarna, montera nya och montera locken.

Efter användning

- Ta bort de spån och det damm som har fastnat på maskinen med en tygduk eller liknande efter att arbetet är avslutat. Se till att du håller klingskyddet rent, i enlighet med de anvisningar som tidigare beskrivits i avsnittet med titeln "Klingskydd". Smörj in de rörliga delarna med maskinolja för att förhindra rostbildning.

- Dra vagnen fullständigt mot dig när maskinen skall ställas undan för förvaring.

För att upprätthålla produktens SÄKERHET och TILLFÖRLITLIGHET bör allt underhålls- och justeringsarbete utföras av ett auktoriserat Makita servicecenter och med reservdelar från Makita.

VALFRIA TILLBEHÖR

VARNING!

- **Dessa tillbehör eller tillsatser från Makita rekommenderas för användning med den Makita-maskin som denna bruksanvisning avser.** Om andra tillbehör eller tillsatser används kan det resultera i allvarlig personskada.
- **Använd endast tillbehören eller tillsatserna från Makita för de syfte de är avsedda för.** I annat fall kan det leda till allvarlig personskada.

Kontakta ditt lokala Makita servicecenter om du behöver ytterligare information om dessa tillbehör.

- HM-pläterat sågblad av stål

Geringssågklingor	För smidig och exakt sågning i olika material.
Kombination	Klinga för allmänt bruk, för snabb och smidig klyvning, kapning och geringssågning.
Tvårsnitt	För smidigare tvårsnitt mot träets fibreriktning. Skär rent mot träets fibreriktning.
Fina tvårsnitt	Sandfria, rena kapsnitt tvärs med fiberna/strukturen.
Geringssågklingor för andra metaller än järn	För gering i aluminium, koppar, mässing, rör och andra metaller än järn.

006526

- Stödanhåll R
- Tvingsats (Horisontal tving)
- Vertikal tving
- Hylsnyckel med insexnyckel på dess andra ände
- Hållare
- Dampåse
- Vinkelrör
- Vinkelhake

OBS!

- Några av tillbehören i listan kan vara inkluderade i maskinpaketet som standardtillbehör. De kan variera mellan olika länder.

NORSK (originalinstruksjoner)

Oversiktsforklaring

1-1. Anslagsstift	21-2. Nøkkelholder	34-3. Skrustikkeknott
2-1. Skruer	22-1. Anslagsstift	36-1. Holder
3-1. Bladvern	23-1. Pipenøkkel	38-1. 52/38 ° type profilist
4-1. Bladvern	23-2. Bladkasse	38-2. 45 ° type profilist
5-1. Skrue	23-3. Midtdeksel	38-3. 45 ° type hulkilist
5-2. Snittplate	23-4. Sekskantskrue	39-1. Innvendig hjørne
6-1. Sagblad	23-5. Bladvern	39-2. Utvendig hjørne
6-2. Bladtenner	24-1. Bladkasse	40-1. Føringsflate
6-3. Snittplate	24-2. Pipenøkkel	40-2. Skrustikke
6-4. Venstre skråkutt	24-3. Sekskantskrue	40-3. Avstandskloss
6-5. Rett kutt	24-4. Pil	40-4. Aluminiumsekstrudering
6-6. Høyre skråkutt	24-5. Spindellås	40-5. Avstandskloss
7-1. Justeringskrue	25-1. Bladkasse	41-1. Aluminiumsekstrudering
7-2. Dreiefot	25-2. Pil	41-2. Føringsflate
8-1. Toppoverflate på dreiefot	25-3. Pil	41-3. Avstandskloss
8-2. Utkanten av bladet	25-4. Sagblad	41-4. Horizontal skrustikke (valgfritt tilbehør)
8-3. Føringsflate	26-1. Sekskantskrue (venstrehånds)	42-1. Skjær spor med bladet
9-1. Stopperarm	26-2. Ytre flens	44-1. Sekskantskrue
9-2. Justeringskrue	26-3. Sagblad	44-2. Føringsflate
10-1. Gjæringsskala	26-4. Ring	44-3. Håndtak
10-2. Pil	26-5. Indre flens	45-1. Føringsflate
10-3. Låsehendel	26-6. Spindel	45-2. Trekantlinjal
10-4. Håndtak	27-1. Pipenøkkel	46-1. Skrue
11-1. Spak	27-2. Bladkasse	46-2. Pil
12-1. Spak	27-3. Midtdeksel	46-3. Gjæringsskala
12-2. Arm	27-4. Sekskantskrue	47-1. Spak
12-3. Pil	27-5. Bladvern	47-2. Arm
12-4. Skråskala	28-1. Støvmunnstykke	48-1. 0 ° justeringskrue
13-1. Spak	28-2. Støvpose	48-2. Justeringskrue for venstre 45 ° skråvinkel
14-1. Pil	28-3. Festemekanisme	49-1. Trekantlinjal
14-2. Utløserknapp	29-1. Støtte	49-2. Sagblad
14-3. Skråskala	29-2. Dreiefot	49-3. Toppoverflate på dreiebord
15-1. Låseskrue	30-1. Skyvevern	50-1. Skrue
16-1. AV-sperreknapp	30-2. Klemkrue	50-2. Pil
16-2. Startbryter	31-1. Skyvevern	50-3. Skråskala
16-3. Spak	32-1. Tilleggsanlegg R	51-1. Justeringskrue for høyre 45 ° skråvinkel
16-4. Hull for hengelås	32-2. Skruer	51-2. Justeringskrue for venstre 45 ° skråvinkel
17-1. AV-sperreknapp	33-1. Skrustikkearm	53-1. Skrutrekker
17-2. Startbryter	33-2. Skrustikkeknott	53-2. Børsteholderhette
17-3. Hull for hengelås	33-3. Skrustikkegang	
18-1. Bryter for laser	33-4. Skrue	
20-1. Tørrelement	33-5. Føringsflate	
21-1. Pipenøkkel med sekskantnøkkel i andre enden	34-1. Skrustikkeplate	
	34-2. Skrustikkemutter	

TEKNISKE DATA

Modell	LS1018 / LS1018L
Bladdiameter	255 mm - 260 mm
Knivbladykkelse	1,6 mm - 2,4 mm
Hulldiameter	
For alle land utenfor Europa	25,4 mm
For land i Europa	30 mm
Maks. skjærekapasitet (H x B) med 260 mm i diameter	

Gjæringsvinkel	Skjæringsvinkel		
	45° (venstre)	0°	45° (høyre)
0°	50 mm x 310 mm	91 mm x 310 mm	31 mm x 310 mm
45°	50 mm x 220 mm	91 mm x 220 mm	31 mm x 220 mm
60° (høyre)	-	91 mm x 153 mm	-

Hastighet uten belastning (min ⁻¹)	4 300
Lasertype (kun LS1018FL)	Rød laser 650 nm, < 1 mW (laserklasse 2)
Mål (L x B x H)	825 mm x 536 mm x 633 mm
Nettovekt	For alle land utenfor Europa.....19,8 kg For land i Europa.....19,9 kg
Sikkerhetsklasse	II

- Som følge av vårt kontinuerlige forsknings- og utviklingsprogram kan de tekniske dataene endres uten ytterligere forvarsel.
- Tekniske data kan variere fra land til land.
- Vekt i henhold til EPTA-prosedyre 01/2003

END222-4



Symboler

Nedenfor ser du symbolene som brukes for dette utstyret. Forviss deg om at du forstår hva de betyr, før du begynner å bruke maskinen.



- Les bruksanvisningen.



- DOBBEL ISOLERING



- For å unngå skader som følge av flygende flis, må du holde saghodet nede etter at sagingen er avsluttet, helt til bladet har stoppet helt.



- Når du gjør et glidekutt, dra først føreanlegget helt og trykk ned håndtaket, og trykk så føreanlegget mot veiledningsanlegget.



- Ikke legg hender eller fingre nær sagbladet.



- Juster skyvevernene godt unna sagbladet og sagbladvernet.



- Still alltid UNDERGJÆRDE mot høyre når du skjærer skrått mot høyre. Hvis du ikke følger denne anbefalingen, kan det resultere i alvorlige helseskader for brukeren.



- LASERSTRÅLING: Du må ikke se rett på strålen. Direkte laserstråler kan skade øynene dine.

Kun for EU-land
Kast aldri elektroutstyr i husholdningsavfallet!

I henhold til EU-direktivet om kasserte elektriske og elektroniske produkter og direktivets iverksetting i nasjonal rett, må elektriske produkter som ikke lenger skal brukes, samles separat og returneres til et miljøvennlig gjenvinningsanlegg.

ENE006-1

Beregnet bruk

Denne maskinen er laget for nøyaktig, rett- og gjærings skjæring i tre. Med riktig sagblad kan også aluminium sages.

ENF002-2

Strømforsyning

Maskinen må bare kobles til en strømkilde med samme spenning som vist på typeskiltet, og kan bare brukes med enfase-vekselstrømforsyning. Den er dobbelt verneisoleret og kan derfor også brukes fra kontakter uten jording.

ENG905-1

Støy

Typisk A-vektet lydtryknivå er bestemt i henhold til EN61029:

Lydtryknivå (L_{PA}) : 97 dB (A)
Lydeffektnivå (L_{WA}) : 103 dB (A)
Usikkerhet (K): 3 dB (A)

Bruk hørselvern

Vibrasjon

Den totale vibrasjonsverdien (triaksial vektorsum) bestemt i henhold til EN61029:

Genererte vibrasjoner (a_h): 2,5 m/s² eller mindre
Usikkerhet (K): 1,5 m/s²

ENG901-1

- Den angitte verdien for de genererte vibrasjonene er blitt målt i samsvar med standardtestmetoden og kan brukes til å sammenlikne et verktøy med et annet.
- Den angitte verdien for de genererte vibrasjonene kan også brukes til en foreløpig vurdering av eksponeringen.

⚠ADVARSEL:

- De genererte vibrasjonene ved faktisk bruk av elektroverktøyet kan avvike fra den oppgitte vibrasjonsverdien, avhengig av hvordan verktøyet brukes.
- Vær påpasselig med å finne sikkerhetstiltak som beskytter operatøren, basert på en oppfatning av risiko under faktiske bruksforhold (på bakgrunn av alle sider ved brukssyklusen, som når verktøyet slås av og når det går på tomgang, i tillegg til oppstarten).

ENH003-15

Gjelder bare land i Europa

EF-samsvarserklæring

Makita erklærer at følgende maskin(er):

Maskinbetegnelse:

Skyvbar gjæringssag for kombinasjonssaging

Modellnr./type: LS1018, LS1018L

Samsvarer med følgende europeiske direktiver:

2006/42/EC

De er produsert i henhold til følgende standarder eller standardiserte dokumenter:

EN61029

Den tekniske filen i samsvar med 2006/42/EF er tilgjengelig fra:

Makita, Jan-Baptist Vinkstraat 2, 3070, Belgia

30.5.2014



000331

Yasushi Fukaya
Direktør

Makita, Jan-Baptist Vinkstraat 2, 3070, Belgia

Generelle advarsler angående sikkerhet for elektroverktøy

⚠ **ADVARSEL** Les alle sikkerhetsadvarslene og alle instruksjonene. Hvis du ikke følger alle advarslene og instruksjonene som er oppført nedenfor, kan det føre til elektriske støt, brann og/eller alvorlige helseskader.

Oppbevar alle advarsler og instruksjoner for senere bruk.

ENB034-9

SIKKERHETSADVARSLER FOR GJÆRSAG

1. Hold hendene unna banen til sagbladet. Unngå kontakt med coasting blader. Det kan føre til alvorlig personskade.
2. Undersøk sagbladet grundig med tanke på sprekker eller deformasjon før du bruker det. Hvis et blad er skadet, må du bytte det ut umiddelbart.
3. Bytt ut snittbrettet når det er slitt.
4. Bruk bare sagblader som er angitt av produsenten, og som overholder EN847-1.
5. Ikke bruk sagblader som er laget av høyhastighetsstål.
6. Bruk hørselsvern.
7. Bruk hørselsvern for å redusere risikoen for hørselstap.
8. Bruk hansker når du håndterer sagbladet (sagbladene må bæres i en holder såfremt dette er praktisk) og skarpe materialer.
9. Koble gjæringssagene til et støvoppsamlingsapparat når du sager.
10. Velg sagblad i forhold til materialet som skal skjæres.
11. Ikke bruk sagen til å skjære annet enn tre, aluminium eller lignende materialer.
12. Sikre alltid alle bevegelige deler før du bærer verktøyet. Når du løfter eller bærer verktøyet, må du ikke bruke vernet som et bærehåndtak.
13. Ikke bruk maskinen uten at vernet er på plass. Kontroller at det nedre vernet er ordentlig lukket før bruk. Ikke begynn å bruke sagen hvis det nedre vernet ikke beveger seg fritt og lukker seg momentant. Bladvernet må aldri klemmes fast eller bindes opp i åpen stilling.
14. Du må unngå løse materialer som spon og avkapp på gulvet.
15. Bruk bare sagblader som er merket med en maksimumshastighet som er lik eller høyere enn hastigheten uten belastning som er merket på verktøyet.
16. Hvis det er montert en laser eller et LED-lys på verktøyet, må du ikke bytte ut laseren eller LED-lyset med en annen type. Kontakt et autorisert servicesenter hvis det oppstår behov for reparasjon.

17. Fjern aldri eventuelt avkapp eller andre deler av arbeidsstykket fra skjæreområdet mens verktøyet kjører med et sagblad uten vern.
18. Utfør aldri en jobb på frihånd. Arbeidsstykket må festes skikkelig mot dreiefoten og veiledningsgjerdet med skrustikken ved all bruk. Bruk aldri hånden til å sikre arbeidsstykket.
19. Kontroller at verktøyet er stabilt før hvert kapp.
20. Fest om nødvendig verktøyet til en arbeidsbenk.
21. Støtt opp lange arbeidsstykker med egnede ekstrastøtter.
22. Du må aldri skjære i arbeidsemner som er så små at de ikke kan holdes sikkert av skrustikken. Arbeidsemner som ikke er festet skikkelig, kan føre til tilbakeslag og alvorlig personskade.
23. Strekk deg aldri rundt sagbladet.
24. Slå av maskinen og vent til sagbladet stopper før du flytter arbeidsstykket eller endrer innstillinger.
25. Trekk ut kontakten til maskinen før du skifter blad eller reparerer den.
26. Stopperrålen som låser skjærehodet ned er kun til for løfting eller oppbevaring og ikke for å skjære.
27. Ikke bruk verktøyet i nærheten av brennbare væsker eller gasser. Den elektriske driften av verktøyet kan forårsake brann og eksplosjon når den utsettes for brennbare væsker eller gasser.
28. Bruk bare flenser som er spesifisert for denne maskinen.
29. Pass på å ikke skade akselen, flensene (spesielt installeringsoverflaten) eller bolten. Skade på disse delene kan resultere i at bladet bryter.
30. Forsikre deg om at dreiefoten er sikret skikkelig slik at den ikke kan forskyve seg under bruk.
31. For din sikkerhet, fjern biter, små stykker, osv. fra bordet før bruk.
32. Unngå å skjære i spiker. Se etter og fjern all spiker fra arbeidsstykket før arbeidet påbegynnes.
33. Forsikre deg om at skaftlåsen er av før du slår på knappen.
34. Forsikre deg om at bladet ikke er i kontakt med dreiefoten i den laveste stillingen.
35. Hold håndtaket godt fast. Vær oppmerksom på at sagen går litt opp og ned når den startes og stoppes.
36. Forviss deg om at bladet ikke er i kontakt med arbeidsstykket før du slår på startbryteren.
37. Før du begynner å bruke maskinen på et arbeidsstykke, bør du la den gå en liten stund. Se etter vibrasjoner eller vingling som kan tyde på at bladet er dårlig balansert.
38. Vent til bladet har full hastighet før du skjærer.
39. Hvis du merker at noe er uvanlig, må du omgående stoppe arbeidet.
40. Ikke forsøk å låse avløseren i på-stillingen.
41. Vær alltid oppmerksom, spesielt under arbeid som er rutinemessig og monotont. Ikke la deg lure av en falsk sikkerhetsfølelse. Blader er ekstremt uforsonlige.
42. Bruk alltid blader anbefalt i denne håndboken. Bruk av upassende utstyr som rue hjul kan føre til personskade.
43. Vær forsiktig med kløyving.
44. Noen typer støv som produseres ved bruk inneholder kjemikalier som er kjent for å forårsake kreft, fosterskader eller annen reproduktiv skade. Noen eksempler på disse kjemikalierne er:
 - Bly fra materialer malt med blybasert maling og arsenikk og krom fra kjemisk behandlet tømmer.
 - Din risiko fra denne utsettelsen varierer, etter som hvor ofte du gjør denne typen arbeid. For å redusere utsettelsen for disse kjemikalierne: arbeid i et godt ventilert område og arbeid med godkjent sikkerhetsutstyr, som de støvmaskene som er utarbeidet spesielt for å filtrere ut mikroskopiske partikler.
45. Pass alltid på at bladet er skarpt og rent for å redusere lydutslipp.
46. Den som skal bruke redskapet har fått god nok opplæring i bruk, justering og drift av maskinen.

TA VARE PÅ DISSE INSTRUKSENE.

⚠ADVARSEL:

Selv om du har brukt produktet mye og føler deg fortrolig med det, er det likevel svært viktig at du følger nøye de retningslinjene for sikkerhet som er utarbeidet for dette produktet. MISBRUK av verktøyet eller mislighold av sikkerhetsreglene i denne brukerhåndboken kan resultere i alvorlige helseskader.

MONTERING

Montere benk

Fig.1

Når maskinen sendes fra fabrikk, er håndtaket låst i senket stilling av stopperstiften. Slipp opp stopperstiften ved å presse håndtaket forsiktig nedover mens du trekker i stopperstiften.

Fig.2

Denne sagen bør boltes med fire skruer til en jevn og stabil overflate ved hjelp av skruerhullene i sagfoten. Dette vil hjelpe deg å unngå velt og personskader.

FUNKSJONSBEKRIVELSE

⚠ADVARSEL:

- **Pass alltid på at maskinen er slått av og koblet fra strømmettet (støpselet skal være ute av stikkkontakten) før du justerer eller sjekker maskinens funksjon.** Hvis maskinen ikke er avslått og koblet fra strømmettet, kan den utilsiktet bli startet opp og forårsake alvorlige personskader.

Bladvern

Fig.3

Når du trekker ned håndtaket, vil bladvernet automatisk bli hevet. Bladvernet går tilbake til opprinnelig stilling når kuttingen er fullført og håndtaket heves.

⚠ADVARSEL:

- **Bladvernet eller fjæren som er festet til vernet skal aldri fjernes eller settes ute av funksjon.** Hvis vernet er satt ute av funksjon slik at et blad er utildekt, kan det oppstå alvorlige personskader når sagen er i bruk.

Av hensyn til din egen sikkerhet, må du alltid sørge for at bladvernet er i god stand. Enhver uregelmessighet i bladvernet må rettes opp omgående. Kontroller at vernet er fjærbelastet, slik at det returnerer til opprinnelig stilling når sagingen er ferdig.

⚠ADVARSEL:

- **Aldri bruk maskinen hvis bladvernet eller fjæren er skadet, fungerer dårlig eller er fjernet.** Hvis maskinen brukes når vernet er skadet, fungerer dårlig eller er fjernet, kan det oppstå alvorlige personskader.

Hvis det gjennomskitte bladvernet blir skittent, eller det setter seg så mye sagflis på det at bladet og/eller arbeidsstykket ikke lenger er godt synlig, må du koble sagen fra strømmettet (støpselet skal være ute av stikkkontakten) og forsiktig tørke av vernet med en fuktig klut. Ikke bruk løsemidler eller bensinbaserte rengjøringsmidler på plastvernet, da dette kan skade vernet.

Hvis bladvernet blir skittent og må rengjøres for å sikre korrekt drift, følger du trinnene nedenfor:

Start med å slå av maskinen og koble den fra strømmettet (støpselet skal være ute av stikkkontakten). Bruk den medfølgende pipenøkkelen for å løsne sekskantskruen som holder på plass midtdekslet. Løsne sekskantskruen ved å skru den mot urviseren. Hev bladvernet og midtdekslet.

Fig.4

Med bladvernet plassert slik, blir rengjøringen mer grundig og effektiv. Når du er ferdig med rengjøringen, følger du fremgangsmåten ovenfor i omvendt rekkefølge og trekker til skruen. Ikke ta av fjæren som holder bladvernet. Hvis vernet blir skadet etter som tiden går eller på grunn av UV-lys, kan du få et nytt på et Makita servicesenter. **VERNET SKAL ALDRI FJERNES ELLER SETTES UTE AV FUNKSJON.**

Plassere snittplate

Fig.5

Fig.6

Verktøyet leveres med snittplatene i dreiefoten for å redusere slitasje på utgangssiden av et kutt til et minimum. Snittplatene er fabrikkjustert slik at sagbladet ikke er i berøring med platene. Før bruk må du justere snittplatene på følgende måte:

Plugg først fra maskinen. Løsne alle skruene (3 hver på høyre og venstre side) som holder skjæreplatene. Stram dem igjen akkurat så mye at skjæreplatene fortsatt kan bevegese lett for hånd. Senk håndtaket helt og skyv inn stopperstiften for å låse håndtaket i nedre stilling. Løsne skruen som holder glidestengene. Trekk vognen helt mot deg. Juster skjæreplatene slik at de akkurat berører siden av sagbladetennene. Stram de fremre skruene (ikke hardt). Skyv vognen helt mot føringsvernet og juster skjæreplatene slik at de akkurat berører siden av sagbladetennene. Stram de bakre skruene (ikke hardt). Etter at skjæreplatene er justert, må du løsne stopperstiften og heve håndtaket. Deretter må alle skruene strammes godt.

MERKNAD:

- **Når du har stilt inn gjæringsvinkelen i vertikalplanet, må du sikre at skjæreplatene er korrekt justert.** Når skjæreplatene er korrekt justert, vil dette bidra til å gi arbeidsstykket riktig støtte og holde det bedre på plass.

Vedlikeholde maksimum skærekapasitet

Denne maskinen er fabrikkjustert til å gi maksimal sageskapasitet for et sagblad med 255 mm diameter. Koble maskinen fra strømmettet før du foretar justeringer. Når du setter inn et nytt blad, må du alltid sjekke bladets nedre greensepsisjon. Hvis bladet må justeres, går du frem som følger:

Fig.7

Fig.8

Plugg først fra maskinen. Skyv vognen helt mot føringsvernet og senk håndtaket fullstendig. Bruk sekskantnøkkelen til å skru justeringsskruen til periferien av sagbladet stikker litt lavere enn oversiden av dreiefoten der hvor forsiden av føringsvernet møter oversiden av dreiefoten.

Roter bladet for hånd mens du holder håndtaket helt ned for å forsikre deg om at det ikke berører noen deler av den nedre foten (sagen må være koblet fra). Etterjuster noe ved behov.

⚠ADVARSEL:

- **Når du har satt inn et nytt blad og maskinen er koblet fra strømmettet (støpselet skal være ute av stikkkontakten), må du passe på at bladet ikke berører noen del av den nedre foten når håndtaket er trukket helt ned.** Hvis bladet berører foten, kan det oppstå tilbakeslag (kickback). Dette kan medføre alvorlige personskader.

Stopperarm

Fig.9

Nedre grensestilling for bladet kan justeres på en enkel måte med stopperarmen. Stopperarmen justeres ved at du beveger den i pilretningen som vist i figuren. Juster skruen slik at bladet stopper i ønsket posisjon når du senker håndtaket helt.

Justere gjæringsvinkelen

Fig.10

Løsne grepet ved å dreie det mot klokken. Drei dreiefoten mens du trykker låsespaken ned. Når du har beveget håndtaket til den stillingen hvor pekeren viser mot ønsket vinkel på gjæringssskalane, må du stramme grepet godt med klokken.

⚠FORSIKTIG:

- Når du har endret gjæringsvinkelen, må du alltid sikre dreiefoten ved å stramme grepet godt.

MERKNAD:

- Når du dreier dreiefoten, må du heve håndtaket helt.

Justere skråvinkelen

Fig.11

Juster skråvinkelen ved å løsne spaken bak på sagen mot klokken. Frigjør armen ved å skyve håndtaket ganske kraftig i den retningen du vil vippe sagbladet.

MERK:

- Hendelen kan justeres til en annen vinkel ved å fjerne skruen som holder hendelen, og feste hendelen ved ønsket vinkel.

Fig.12

Vipp sagbladet til pekeren viser mot ønsket vinkel på skråskalaen. Stram spaken godt med klokken for å sikre armen.

Fig.13

Når du vipper vognen mot høyre, må du først vippe den litt mot venstre etter at du har løsnet hendelen, og deretter trykke på utløserknappen. Mens du holder utløserknappen inne, kan du vippe vognen mot høyre.

Fig.14

Vipp sagbladet til pekeren viser mot ønsket vinkel på skråskalaen. Stram spaken godt med klokken for å sikre armen.

- Når du endrer skråvinklene, må du forvise deg om at snittplatene plasseres riktig (forklart i "Plassere snittplater"-avsnittet).

⚠FORSIKTIG:

- Når du har endret skråvinkelen, må du alltid sikre armen ved å stramme spaken med klokken.

MERKNAD:

- Pass på at håndtaket er helt oppe når du skråstiller sagbladet.

- Når du endrer skråvinklene, må du forvise deg om at snittplatene plasseres riktig (forklart i "Plassere snittplater"-avsnittet).

Skyvelåsjustering

Fig.15

For å låse glidestangen må du dreie låseskruen med klokken.

Bryterfunksjon

For land i Europa

Fig.16

For å unngå at startbryteren trykkes inn ved en feiltakelse, er sagen utstyrt med en AV-sperreknapp. Start verktøyet ved å skyve spaken mot venstre, trykke inn AV-sperreknappen og dra i startbryteren. Slipp startbryteren for å stoppe sagen.

⚠ADVARSEL:

- **Før du kobler maskinen til strømmettet, må du alltid kontrollere at startbryteren aktiverer maskinen på riktig måte og går tilbake til "AV"-stilling når den slippes. Ikke press hardt på startbryteren uten å trykke inn AV-sperreknappen. Dette kan ødelegge bryteren.** Ikke bruk maskinen hvis bryteren ikke fungerer korrekt. Du risikerer ellers å miste kontroll over maskinen og få alvorlige skader.

Startbryteren har et hull for feste av hengelås til å låse av verktøyet.

For alle land utenfor Europa

Fig.17

For å unngå at startbryteren trykkes inn ved en feiltakelse, er sagen utstyrt med en AV-sperreknapp. For å starte maskinen må du trykke på AV-sperreknappen og trykke på startbryteren. Slipp startbryteren for å stoppe sagen.

⚠ADVARSEL:

- **Før du kobler maskinen til strømmettet, må du alltid kontrollere at startbryteren aktiverer maskinen på riktig måte og går tilbake til "AV"-stilling når den slippes. Ikke press hardt på startbryteren uten å trykke inn AV-sperreknappen. Dette kan ødelegge bryteren.** Ikke bruk maskinen hvis bryteren ikke fungerer korrekt. Du risikerer ellers å miste kontroll over maskinen og få alvorlige skader.

Startbryteren har et hull for feste av hengelås til å låse av verktøyet.

⚠ADVARSEL:

- **Ikke bruk en lås hvor hengslet/kabelen er mindre enn 6,35 mm i diameter.** Et hengsel eller en kabel som er mindre enn dette vil kanskje ikke låse maskinen fullstendig i AV-stilling. Dette kan føre til at maskinen utilsiktet blir aktivert, og alvorlige personskafer kan oppstå.

- **Startbryteren MÅ alltid være fullt operativ når maskinen skal brukes.** Det er SVÆRT FARLIG å bruke maskinen når bryteren er defekt. Reparer bryteren før du bruker maskinen. Hvis dette ikke gjøres, er det fare for alvorlige personskader.
- Av hensyn til din egen sikkerhet er denne maskinen utstyrt med en AV-sperreknapp som forhindrer utilsiktet start av maskinen. Maskinen må ALDRI brukes hvis den begynner å gå bare du trykker på startbryteren, uten at du må trykke på AV-sperreknappen også. En skadet/defekt bryter kan føre til at maskinen aktiveres utilsiktet og alvorlige personskader kan oppstå. Returner maskinen til et Makita-servicesenter for å få den reparert FØR videre bruk.
- ALDRI sett AV-sperreknappen ute av funksjon ved å for eksempel teipe over den. En skadet/defekt AV-sperreknapp kan føre til at maskinen aktiveres utilsiktet og alvorlige personskader kan oppstå.

Elektronisk funksjon

Mykstartfunksjon

- Denne funksjonen begrenser oppstartsdreiemomentet slik at maskinoppstarten går smidig.

Laserstrålefunksjon

Kun for modell LS1018L

MERK:

- Før førstegangsbruk, sett to AA-tørrelementer i elementboksen. Vi henviser til delen "Skifte tørrelementene for laserenheten" for hvordan du monterer elementene.

⚠ FORSIKTIG:

- Pass på å slå av laseren når den ikke er i bruk

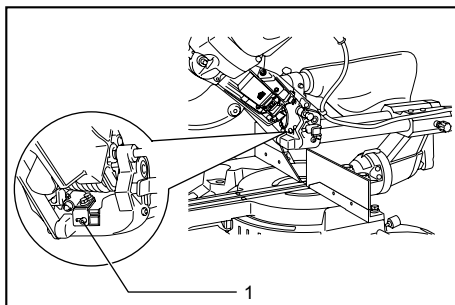
Fig.18

⚠ FORSIKTIG:

- Se aldri inn i laserstrålen. Direkte laserstråler kan skade øynene dine.
- LASERSTRÅLING, IKKE STIRR PÅ STRÅLEN, LASERPRODUKT KLASSE 2.
- Pass på å plugge fra maskinen før du flytter laserlinjen eller foretar vedlikeholdsjusteringer.

Trykk på bryterens øvre stilling (I) for å slå på laserstrålen. Trykk på bryterens nedre stilling (O) for å slå av laserstrålen.

Laserlinjen kan flyttes enten til venstre eller høyre side av sagbladet ved å løsne skruen som holder laserenhetsboksen og flytte den i ønsket retning. Pass på å stramme skruen etter flyttingen.



1. Skru som holder laserenhetsboksen

010473

Laserlinjen er fabrikkinnstilt slik at den er posisjonert innenfor 1 mm fra siden på bladet (skjæreposisjon).

MERK:

- Hvis laserlinjen er uklar og vanskelig å se på grunn av direkte sollys, bør du flytte arbeidsområdet til et sted hvor der er mindre direkte sollys.

Skifte tørrelementene for laserenheten

Fig.19

Fig.20

Fjern lokket på tørrelementene for laserenheten ved å skyve mens du trykker på den. Ta ut de gamle tørrelementene og sett inn de nye som vist på figuren. Etter at elementene er skiftet ut, setter du på lokket igjen for å dekke dem.

Rengjøre laserlampelinsen

Hvis laserlampelinsen blir skitten eller det legger seg sagmugg på den slik at laserlinjen ikke lenger er lett synlig, må du koble fra sagen og ta av og rengjøre laserlampelinsen forsiktig med en fuktig, myk klut. Ikke bruk løsemidler eller petroleumbaserte rengjøringsmidler på lisen.

MERK:

- Når laserlinjen er svak og nesten usynlig på grunn av direkte sollys (når du jobber inne ved et vindu eller utendørs), må du flytte arbeidsområdet til et sted hvor du ikke står i direkte sollys.

MONTERING

⚠ ADVARSEL:

- **Pass alltid på at maskinen er slått av og koblet fra strømmettet (støpselet skal være ute av stikkkontakten) før du begynner å arbeide med maskinen.** Hvis maskinen ikke er avslått og koblet fra strømmettet, kan det oppstå alvorlige personskader.

Oppbevaring av pipenøkkel med sekskantnøkkel i andre enden

Fig.21

Pipenøkkel er oppbevart som vist i figuren. Dra pipenøkkel ut av holderen når du ønsker å bruke den. Sett pipenøkkel tilbake i holderen når du er ferdig med den.

Montere eller demontere sagblad

⚠ADVARSEL:

- **Pass alltid på at maskinen er slått av og koblet fra strømmettet (støpselet ute av stikkontakten) før du setter inn eller tar ut bladet.** Hvis maskinen utilsiktet startes opp, er det fare for alvorlige personskader.
- **Bruk kun den medfølgende Makita-pipenøkkel for å sette inn eller ta ut bladet.**Hvis du ikke bruker denne pipenøkkel, kan sekskantbolten bli strammet til for mye eller for lite. Dette kan medføre alvorlige personskader.

Fig.22

Lås håndtaket i hevet posisjon ved å skyve inn anslagsstiften.

Fig.23

For å ta av bladet, må du bruke pipenøkkel til å løsne sekskantskruen som holder midtdekslet ved å dreie den mot klokken. Løft bladvernet og midtdekslet.

⚠ADVARSEL:

- **Du må ikke fjerne andre skruer enn sekskantskruen som er vist i illustrasjonen.** Hvis du ved et uhell skulle komme til å fjerne en annen skrue og bladvernet faller av, må du sørge for at du monterer bladvernet igjen.

Fig.24

Trykk på spindellåsen for å låse spindelen, og bruk pipenøkkel til å løsne sekskantbolten ved å dreie den med klokken. Fjern så sekskantskruen, den ytre flensen og bladet.

MERK:

- Hvis den indre flensen er fjernet, må passe på å sette den på spindelen med fremspringet vendt bort fra bladet. Hvis flensen er satt i feil, vil den gnisse mot maskinen.

⚠ADVARSEL:

- **Før du monterer bladet på spindelen, må du forsikre deg om at korrekt akselhulling er satt inn mellom de indre og ytre flensene.** Hvis du bruker feil akselhulling, kan bladet bli feilmontert. Resultatet vil da være at bladet beveger seg og vibrerer kraftig. Dette kan føre til at du mister kontroll over maskinen og det er fare for personskader.

Fig.25

Monter bladet ved å sette det forsiktig på spindelen, og forsikre deg om at pilretningen på bladoverflaten stemmer overens med pilretningen på bladkassen.

Monter den ytre flensen og sekskantskruen, og bruk pipenøkkel til å stramme sekskantskruen (venstrehånds) godt mot klokken mens du trykker på spindellåsen.

Fig.26

⚠FORSIKTIG:

- Ringen på 25,4 mm eller 30 mm i ytre diameter er fabrikkmontert på spindelen. Før du setter bladet på spindelen, må du forsikre deg om at det er riktig ring for akselhullet på bladet du skal bruke, som er montert på spindelen.

Monter den ytre flensen og sekskantskruen, og bruk pipenøkkel til å stramme sekskantskruen godt mot klokken mens du trykker på spindellåsen.

Fig.27

Returner bladvernet og midtdekslet til opprinnelig stilling. Stram sekskantbolten i urviseretning for å feste midtdekslet. Slipp opp håndtaket fra den hevede stillingen ved å trekke i stopperstiften. Senk håndtaket for å forsikre deg om at bladvernet beveger seg korrekt. Forviss deg om at spindellåsen har sluppet spindelen før du sager.

Støvpose (tilbehør)

Fig.28

Støvposen forenkler støvoppsamlingen og gjør bruken av sagen renere. Fest støvposen ved å trøe den over støvutløpet.

Når støvposten er omtrent halvfull, må du ta den av maskinen og trekke ut festemekanismen. Tøm støvposen for innhold, og bank lett på den for å fjerne partikler som fester seg til innsiden og kan hemme ytterligere oppsamling.

MERK:

Hvis du kobler en støvsuger til sagen, kan driften av sagen bli enda renere.

Sikre arbeidsemne

⚠ADVARSEL:

- **Det er uhyre viktig at du alltid sikrer arbeidsstykket korrekt med en passende type skrustikke eller kronestopper.** Hvis dette ikke gjøres, kan resultatet bli personskader eller skader på maskinen og/eller arbeidsstykket.
- **Når du er ferdig å sage, er det svært viktig at du ikke løfter bladet før det har stanset helt.** Hvis du løfter et blad som ruller, risikerer du alvorlige skader både på deg selv og arbeidsstykket.
- **Når du kutter et arbeidsstykke som er lengre enn sagens støttefot, må hele lengden av materialet støttes opp forbi støttefoten og på samme høyde for å holde materialet plant.** Når

arbeidsstykket er godt støttet, er det mindre risiko for farlige tilbakeslag (kickback) og at bladet kommer i klem. Det er ikke tilstrekkelig å sikre arbeidsstykket kun med en vertikal og/eller horisontal skrustikke. Tynne materialer har en tendens til å bøye seg. Støtt opp arbeidsstykket over hele dets lengde for å unngå at bladet kommer i klem eller at det oppstår TILBAKESLAG (KICKBACK).

Fig.29

Justering av føringsvern (SKYVEVERN)

Fig.30

⚠ADVARSEL:

- Forsikre deg om at skyvevernet er ordentlig festet før du betjener maskinen.
- **Før du skråskjærer, må du forvise deg om at ingen del av maskinen, spesielt bladet, kommer i kontakt med vernet når du senker eller hever hendelen i en hvilken som helst posisjon, eller når du beveger vognen gjennom hele dens bevegelsesområde.** Hvis maskinen eller bladet kommer i kontakt med vernet, kan det føre til tilbakeslag (kickback) eller uventet bevegelse av materialet og alvorlig personskade.

Fig.31

⚠FORSIKTIG:

- Skyv skyvevernet mot venstre og fest det som vist på figuren, ved skråskjæring. Ellers vil det komme i berøring med sagbladet eller en del av maskinen og utsette brukeren for mulig alvorlig skade.

Denne maskinen er utstyrt med skyvevern, som vanligvis skal plasseres som vist på figuren.

Ved skråskjæring til venstre, må den plasseres i venstre posisjon som vist på figuren, hvis maskinhodet berører den. Når skråskjæringen er fullført, må du ikke glemme å føre skyvevernet tilbake i opprinnelig posisjon og feste det ved å stramme klemskruen godt.

Tilleggsanlegg R

⚠ADVARSEL:

- Forsikre deg om at tilleggsanlegg R er ordentlig festet før du betjener maskinen.
- Fjern tilleggsanlegg R før du utfører høyreskråskjæringer. Det vil berøre sagbladet eller en del av maskinen og utsette brukeren for mulig alvorlig skade.

Fig.32

Tilleggsanlegg R kan fjernes fra høyre side av føringsvernet. Hvis du skal fjerne tilleggsanlegg R, løsner du skruen som holder tilleggsanlegg R og trekker det ut. Følg denne prosedyren i omvendt rekkefølge for å montere det igjen.

Når skråskjæringen er fullført, må du ikke glemme å føre tilleggsanlegg R tilbake i opprinnelig posisjon og feste det ved å stramme klemskruen godt.

Vertikal skrustikke

Fig.33

Den loddrette skrustikken kan monteres enten på venstre eller høyre side av føringsvernet. Sett skrustikkestangen i hullet i føringsflaten og trekk til skruen på baksiden av føringsvernet for å feste stangen. Plasser skrustikkearmen i henhold til arbeidsemnets tykkelse og form og sikre armen ved å stramme skruen. Hvis skruen for sikring av skrustikkearmen berører føringsflaten, må du montere skruen på motsatt side av armen. Pass på at ingen deler av saken er i berøring med skrustikken når du senker hendelen helt ned drar eller skyver sleden hele veien. Hvis noen deler berører skrustikken, må du flytte den.

Trykk arbeidsemnet mot føringsflaten og dreiefoten. Plasser arbeidsemnet i ønsket skjæreposisjon og sikre det godt ved å stramme skrustikkeknotten.

⚠ADVARSEL:

- **Arbeidsstykket skal alltid være godt festet mot dreiefoten og føringsvernet ved hjelp av skrustikken.** Hvis arbeidsstykket ikke er godt festet mot vernet, kan materialet bevege seg under sagingen. Dette kan gi skader på bladet, samt medføre at materialet kastes og du mister kontroll over arbeidsstykket/sagen. Resultatet kan bli alvorlige personskader.

Horisontal skrustikke (valgfritt tilbehør)

Fig.34

Den horisontale skrustikken kan installeres i to posisjoner på enten venstre eller høyre side av foten. Når det utføres gjæringsaging på 10° eller mer, må den horisontale skrustikken installeres på motsatt side i forhold til retningen dreiefoten dreies.

Fig.35

Når du flipper mutteren på skrustikken mot klokken, blir skrustikken sluppet opp og beveger seg raskt inn og ut. For å gripe arbeidsstykket skyver du først skrustikkeknotten fremover inntil skrustikkeplaten berører arbeidsstykket. Deretter flipper du mutteren på skrustikken i retning med klokken, og vrir håndtaket på skrustikken i retningen med klokken for å sikre arbeidsstykket.

Maksimal bredde av et arbeidsstykke som skal festes med den horisontale skrustikken, er 215 mm.

Når du monterer den horisontale skrustikken på høyre side av foten, må du bruke tilleggsanlegg R for å sikre arbeidsemnet bedre. Se "Tilleggsanlegg R" for informasjon om montering av tilleggsanlegg R.

⚠ADVARSEL:

- **Skrustikkemutteren skal alltid skrues i urviserretningen inntil arbeidsstykket sitter godt fast.** Hvis arbeidsstykket ikke sitter helt fast, kan materialet bevege seg under kuttarbeidet. Dette kan gi skader på bladet, samt medføre at

materialet kastes og du mister kontroll over arbeidsstykket/maskinen. Resultatet kan bli alvorlige personskader.

- Når du sager et tynt arbeidsstykke, for eksempel basisbord, mot vernet, må du alltid bruke den horisontale skrustikken.

Holdere

Fig.36

Holderne kan monteres på en av sidene som en praktisk måte å holde arbeidsstykker horisontalt på. Sett holderstengene helt inn i hullene i foten. Stram deretter holderne godt med skruene.

⚠ADVARSEL:

- **Et langt arbeidsstykke må alltid støttes opp slik at det blir plant med den øvre overflaten av dreiefoten. Dette for å få presise kutt og unngå at du mister kontroll over maskinen.** Når arbeidsstykket er godt støttet, er det mindre risiko for farlige tilbakeslag (kickback) og at bladet kommer i klem.

BRUK

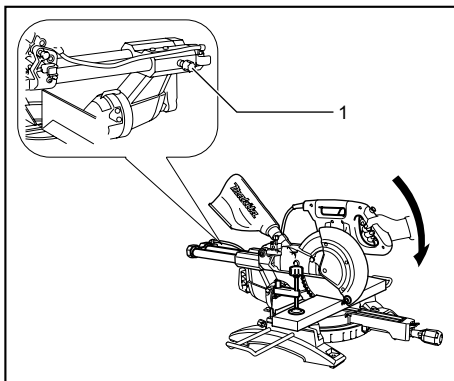
MERKNAD:

- Før bruk må du frigjøre hendelen fra senket posisjon ved å dra i anslagsstiften.
- Ikke legg stort trykk på hendelen når du sager. For mye kraft kan føre til at motoren overbelastes og/eller at sageeffekten reduseres. Skyv ned hendelen med den kraften som trengs for jevn saging og uten merkbar reduksjon i bladets hastighet.
- Trykk hendelen forsiktig ned for å gjennomføre kuttet. Hvis håndtaket trykkes ned med makt eller det brukes sidekraft, vil bladet vibrere og lage et merke (sagmerke) i arbeidsemnet. Dette ødelegger presisjonen i kuttet.
- Under et skyvekutt må du skyve sleden forsiktig mot føringsflaten uten å stoppe. Hvis sledebevegelsen stopper under kuttet, etterlates det et merke i arbeidsstykket og presisjonen i kuttet ødelegges.

⚠ADVARSEL:

- **Pass på at bladet ikke berører arbeidsstykket osv. før bryteren er slått på.** Hvis du slår på maskinen mens bladet berører arbeidsstykket, kan det oppstå farlige tilbakeslag (kickback).

1. Pressaging (sage små arbeidsemner)



1. Låseskrue

011409

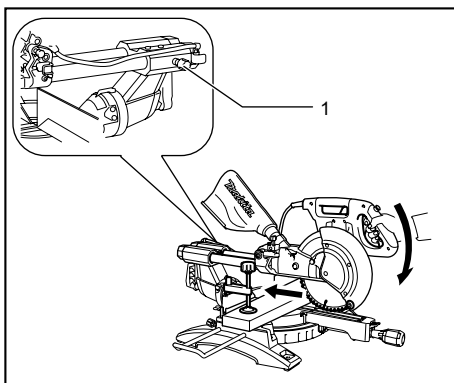
Arbeidsstykker som er opptil 91 mm høye og 70 mm brede kan kappes på følgende måte.

Dytt vognen helt mot føringsvernet og stram låseskruen medurs for å feste vognen. Fest arbeidsstykket godt ved hjelp av den angitte skrustikken. Slå på maskinen uten at bladet berører arbeidsstykket, og vent til bladet går med full hastighet før du senker det. Senk så forsiktig håndtaket til dets nederste stilling for å kappe arbeidsstykket. Når du er ferdig å sage, slår du av maskinen og VENTER TIL BLADET HAR STOPPET HELT før du setter bladet tilbake i helt oppreist stilling.

⚠ADVARSEL:

- **Stram godt knotten med klokken, slik at vognen ikke beveger seg under bruk.** Hvis du ikke fester knotten godt nok kan det forårsake mulig tilbakeslag, som kan resultere i alvorlig personskade.

2. Skyvesaging (sage brede arbeidsemner)



1. Låseskrue

011410

Løsne låseskruen mot klokken slik at vognen kan gli fritt. Fest arbeidsstykket godt ved hjelp av den angitte skrustikken. Trekk vognen helt mot deg. Slå på maskinen uten at bladet berører arbeidsstykket, og vent til bladet går med full hastighet. Trykk ned håndtaket og SKYV VOGNEN MOT FØRINGSVERNEN OG GJENNOM ARBEIDSSTYKKET. Når du er ferdig å sage, slår du av maskinen og VENTER TIL BLADET HAR STOPPET HELT før du setter bladet tilbake i helt oppreist stilling.

⚠ADVARSEL:

- **Når du bruker uttrekksfunksjonen for å kappe et arbeidsstykke, må du først trekke vognen helt til deg og trykke håndtaket helt ned. Deretter skyver du vognen mot føringsvernet. Vognen skal alltid være trukket helt mot deg før du begynner å sage.** Hvis du bruker uttrekksfunksjonen for å kappe et arbeidsstykke og vognen ikke er trukket helt mot deg, kan det oppstå farlige tilbakeslag (kickback).
- **Aldri forsøk å dra vognen mot deg for å bruke uttrekksfunksjonen for å kappe et arbeidsstykke.** Hvis du trekker vognen mot deg mens du sager, kan det oppstå uventede tilbakeslag (kickback) som kan gi alvorlige personskader.
- Aldri bruk uttrekksfunksjonen for å kappe et arbeidsstykke når håndtaket er låst i senket stilling.
- **Låseskruen som sikrer vognen skal aldri løsnes mens bladet roterer.** Hvis vognen er løs når du sager kan det forårsake mulig tilbakeslag, som kan resultere i alvorlig personskade.

3. Gjærsaging

Se avsnittet "Justere gjæringsvinkelen".

4. Skråskjæring

Fig.37

Løsne spaken og vipp sagbladet for å stille inn skråvinkelen (se avsnittet "Justere skråvinkelen"). Stram spaken godt igjen for å sikre skråvinkelen du har valgt. Fest arbeidsstykket med en skrustikke. Sørg for at sleden er trukket helt tilbake til brukeren. Skru på verktøyet uten at bladet er i kontakt med noe, og vent til bladet når full hastighet. Senk så hendelen forsiktig til helt senket posisjon mens du utøver trykk parallelt med bladet, og SKYV SLEDEN MOT FØRINGSFLATEN FOR Å SAGE ARBEIDSEMNET. Når kuttet er ferdig, må du slå av sagen og VENTE TIL BLADET HAR STOPPET HELT før du hever det helt igjen.

⚠ADVARSEL:

- **Når bladet er stilt inn for gjæringsaging i vertikalplanet, må du forsikre deg om at vognen og bladet kan bevege seg fritt under**

hele kutteprosessen. Ikke start opp maskinen før dette er kontrollert. Hvis vognen eller bladet blir hindret under sagingen, kan det oppstå tilbakeslag (kickback) som kan gi alvorlige personskader.

- **Når du utfører gjæringsaging i vertikalplanet må du passe på å holde hendene borte fra sagbladets bane.** Vær oppmerksom på at bladvinkelen kan gi et feilaktig inntrykk av sagbladets faktiske bane. Kontakt med sagbladet vil gi alvorlige personskader.
- **Ikke hev bladet før det har stoppet helt.** Ved gjæringsaging i vertikalplanet kan det skje at det avkappede arbeidsstykket hviler mot bladet. Hvis bladet da heves mens det fremdeles roterer, kan det kaste ut den avkappede biten. Dette vil føre til at materialet fliser seg opp, og alvorlige personskader kan oppstå.

MERKNAD:

- Når du trykker ned håndtaket, må du trykke parallelt med bladet. Hvis du trykker i vertikal retning for dreiefoten, eller endrer trykkretningen mens du sager, vil snittet bli mindre presist.
- Før du skråskjærer, kan det være nødvendig å justere skyvevernet. Se avsnittet med tittelen "Justering av føringsvern".

⚠FORSIKTIG:

- Du må alltid fjerne tilleggsanlegg R, slik at det ikke kommer i veien for noen del av vognen ved skråskjæring mot høyre.

5. Lamellsaging

Kombinasjonssaging innebærer at gjæringsaging i vertikalplanet utføres samtidig som det sages en gjæringsvinkel i horisontalplanet. Kombinasjonssaging kan utføres i vinkelen som er angitt i tabellen.

Gjæringsvinkel	Skjæringsvinkel
Venstre og høyre 0° - 45°	Venstre og høyre 0° - 45°

009713

Når du utfører kombisaging, finner du forklaringer i "Pressaging", "Skyvesaging", "Gjærsaging" og "Skråskjæring".

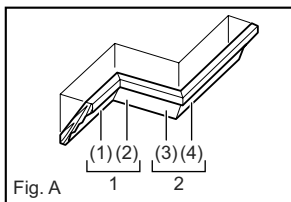
6. Sage proffillister og hulkillister

Proffillister og hulkillister kan sages på en gjæringsag for kombinasjonssaging, med listene lagt flatt på dreiefoten.

Det finnes to vanlige typer proffillist og en vanlig type hulkillist; proffillist med 52/38° veggvinkel, proffillist med 45° veggvinkel og hulkillist med 45° veggvinkel. Se figurene.

Fig.38

Listene kan kappes til å passe til "innvendige" 90° hjørner ((1) og (2) på fig. A) og "utvendige" 90° hjørner ((3) og (4) på fig. A).



1. Innvendig hjørne
2. Utvendig hjørne

Fig. A

001556

Fig.39

Måling

Mål vegg lengden og juster arbeidsemnet på bordet, så du kan kappe til kontaktflaten mot veggen til ønsket lengde. Pass alltid på at den kappede arbeidsemnelengden **på baksiden av arbeidsemnet** er like lang som den aktuelle vegg lengden. Juster kappelengden for vinkelen av snittet. Bruk alltid flere biter til testkapping for å kontrollere snittvinklene.

Når du sager proffillister og hulkillister må du stille inn gjæringsvinklene i vertikalplanet og horisontalplanet som vist i tabell (A), og plassere listene på overflaten av sagfoten, som vist i tabell (B).

Venstre gjæringsnitt i vertikalplanet

Bord (A)

	Listposisjon på fig. A	Skjæringsvinkel		Gjæringsvinkel	
		52/38° type	45° type	52/38° type	45° type
For innvendig hjørne	(1)	Venstre 33,9°	Venstre 30°	Høyre 31,6°	Høyre 35,3°
	(2)			Venstre 31,6°	Venstre 35,3°
For utvendig hjørne	(3)			Høyre 31,6°	Høyre 35,3°
	(4)				

006361

Bord (B)

	Listposisjon på fig. A	Kanten av listen mot føringsvernet	Ferdig list
For innvendig hjørne	(1)	Kontaktflaten mot taket skal ligge an mot føringsvernet.	Den ferdige listen vil være på venstre side av bladet.
	(2)	Kontaktflaten mot veggen skal ligge an mot føringsvernet.	
For utvendig hjørne	(3)	Kontaktflaten mot veggen skal ligge an mot føringsvernet.	Den ferdige listen vil være på høyre side av bladet.
	(4)	Kontaktflaten mot taket skal ligge an mot føringsvernet.	

006362

Eksempel:

Ved saging av proffillist med 52/38° vinkel for posisjon (1) på fig. A:

- Vipp og fest innstillingen for gjæring i vertikalplanet på 33,9° VENSTRE.
- Juster og fest innstillingen for gjæring i horisontalplanet på 31,6° HØYRE.

- Legg proffillisten med dens brede baksideoverflate (skjult) ned på dreiefoten, med KONTAKTFLATEN MOT TAKET mot føringsvernet til sagen.
- Det ferdige stykket som skal brukes, vil alltid befinne seg til VENSTRE for bladet etter at snittet er utført.

Høyre gjæringsnitt i vertikalplanet

Bord (A)

	Listposisjon på fig. A	Skjæringsvinkel		Gjæringsvinkel	
		52/38° type	45° type	52/38° type	45° type
For innvendig hjørne	(1)	Høyre 33,9°	Høyre 30°	Høyre 31,6°	Høyre 35,3°
	(2)			Venstre 31,6°	Venstre 35,3°
For utvendig hjørne	(3)			Høyre 31,6°	Høyre 35,3°
	(4)				

006363

Bord (B)

	Listposisjon på fig. A	Kanten av listen mot føringsvernet	Ferdig list
For innvendig hjørne	(1)	Kontaktflaten mot veggen skal ligge an mot føringsvernet.	Den ferdige listen vil være på høyre side av bladet.
	(2)	Kontaktflaten mot taket skal ligge an mot føringsvernet.	
For utvendig hjørne	(3)	Kontaktflaten mot veggen skal ligge an mot føringsvernet.	Den ferdige listen vil være på venstre side av bladet.
	(4)	Kontaktflaten mot veggen skal ligge an mot føringsvernet.	

006364

Eksempel:

Ved saging av proffillist med 52/38° vinkel for posisjon (1) på fig. A:

- Vipp og fest innstillingen for gjæring i vertikalplanet på 33,9° HØYRE.
- Juster og fest innstillingen for gjæring i horisontalplanet på 31,6° HØYRE.
- Legg proffillisten med dens brede baksideoverflate (skjult) ned på dreiefoten, med KONTAKTFLATEN MOT VEGGEN mot føringsvernet til sagen.
- Det ferdige stykket som skal brukes, vil alltid befinne seg til HØYRE for bladet etter at snittet er utført.

7. Sage aluminiumsekstrudering

Fig.40

Fig.41

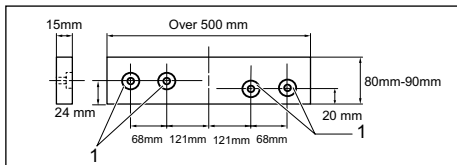
Når du sikrer aluminiumsekstruderinger, må du bruke avstandsklosser eller biter av kapp som vist i figuren for å forhindre at aluminiumen deformeres. Bruk en skjærevæske når du sager aluminiumsekstruderinger for å forhindre at det legger seg aluminiumsstøv på bladet.

⚠ADVARSEL:

- **Du må aldri forsøke å kutte tykke eller runde aluminiumsprofiler.** Tykke eller runde aluminiumsprofiler kan være vanskelige å feste tilstrekkelig og kan løsne når du sager. Dette kan føre til at du mister kontroll over arbeidsstykket/maskinen og påføres alvorlige skader.

8. Gjæringskloss

Bruk av gjæringsklosser hjelper til med å sikre flisfrie kutt i arbeidsemnene. Fest en gjæringskloss til føringsflaten ved hjelp av hullene i flaten. Mål for anbefalt gjæringskloss finner du i figuren.



1. Hull

010563

⚠FORSIKTIG:

- Bruk rett tre med jevn tykkelse som trekledning.

⚠ADVARSEL:

- **Fest gjæringsklossen til føringsvernet ved hjelp av skruer. Skruene settes inn slik at skruhodene befinner seg nedenfor overflaten av gjæringsklossen. På denne måten unngår du at skruene kommer i veien for posisjonerings til materialet du sager.** Hvis materialet er skjevt plassert, kan det bevege seg uventet under sagingen. Dette kan føre til at du mister kontroll over arbeidsstykket/maskinen og påføres alvorlige skader.

MERKNAD:

- Når trekledningen er festet, må du ikke dreie på dreiefoten med senket hendel. Bladet og/eller trekledningen vil bli skadet.

9. Sporsaging

Fig.42

Et datokutt kan gjøres på følgende måte:

Juster nedre grenseposisjon for bladet med justeringsskruen og stopperarmen for å begrense bladets skjæredybde. Se avsnittet "Stopperarm".

Når du har justert bladets nedre grenseposisjon, kutter du parallelle riller på tvers av arbeidsstykkets bredde. Bruk uttrekksfunksjonen som vist i figuren. Bruk deretter et huggjern for å fjerne arbeidsstykkematerialet mellom rillene.

⚠ADVARSEL:

- **Ikke forsøk å utføre denne typen kutt ved hjelp av en bredere bladtype eller et falseblad.** Hvis du forsøker å skjære riller ved hjelp av et bredere blad eller falseblad, kan sageresultatene bli dårlige og det kan oppstå farlige tilbakeslag (kickback).

- **Når du er ferdig med å skjære riller og ønsker å utføre andre typer saging, må du huske å returnere stoppearmen til opprinnelig stilling.** Hvis du forsøker å sage når stoppearmen står i feil posisjon, kan sageresultatene bli dårlige og det kan oppstå farlige tilbakeslag (kickback).

⚠FORSIKTIG:

- Sett stoppearmen tilbake til utgangsposisjon når du utfører noe annet enn sporsaging.

Bærbart verktøy

Fig.43

Pass på at maskinen er koblet fra strømmettet (støpselet skal være ute av stikkkontakten). Fest bladet i en vertikal gjæringsvinkel på 0°, og drei dreiefoten til største mulige høyre gjæringsvinkel i horisontalplanet. Fest glidehengene, så den nedre glidehengen er låst i den posisjonen vognen har når den er trukket helt mot operatøren, og de øvre hengene er låst i den posisjonen vognen har når den er skjøvet helt mot føringsvernet (se avsnittet med tittelen "Skyvelåsjustering".) Senk håndtaket helt, og lås det i nedre stilling ved å skyve inn stopperstiften.

Kveil opp strømledningen ved hjelp av ledningsholderne.

⚠ADVARSEL:

- **Stopperstiften er kun beregnet for bæring og lagring og skal aldri brukes for sagingarbeid.** Hvis du bruker stopperstiften når du sager, kan sagbladet gjøre uventede bevegelser. Dette kan forårsake tilbakeslag (kickback) som kan gi alvorlige personskader.

Bær sagen ved å holde begge sidene på sagfoten som vist i figuren. Hvis du tar av holderne, støvposen osv., er det lettere å bære sagen.

⚠FORSIKTIG:

- Fest alle bevegelige deler før maskinen skal flyttes. Hvis deler av maskinen kommer i bevegelse eller begynner å gli under flyttestarbeidet, kan balansen skoples og det er fare for personskader.

VEDLIKEHOLD

⚠ADVARSEL:

- **Pass alltid på at maskinen er slått av og koblet fra strømmettet (støpselet skal være ute av stikkkontakten) før du utfører inspeksjoner eller vedlikehold.** Hvis du ikke slår av maskinen og kobler den fra strømmettet, kan den utilsiktet bli startet opp og forårsake alvorlige personskader.
- **For å sikre trygg bruk og optimale resultater må du passe på at bladet alltid er skarpt og rent.** Hvis du forsøker å kutte med et sløvt og/eller skittent blad, kan det oppstå tilbakeslag (kickback) som kan gi alvorlige personskader.

MERKNAD:

- Aldri bruk gasolin, bensin, tynner alkohol eller lignende. Det kan føre til misfarging, deformering eller sprekke dannelse.

Justere skjærvinkelen

Denne sagen er nøye justert og tilpasset ved fabrikken, men tøff bruk kan ha påvirket tilpasningen. Hvis sagen din ikke er godt nok tilpasset, må du gjennomføre følgende:

1. Gjæringsvinkel

Fig.44

Dytt vognen helt mot føringsvernet og stram låseskruen for å feste vognen.

Løsne grepet som holder dreiefoten. Drei dreiefoten slik at viseren peker på 0° på den horisontale gjæringskalaen. Drei så dreiefoten så vidt med klokken og deretter mot klokken, så dreiefoten glir inn i hakket på 0° horisontal gjæringsvinkel. (Ikke gjør noen endringer om viseren ikke peker på 0°.) Løsne sekskantskruene som holder føringsvernet, ved hjelp av pipenøkkelen.

Fig.45

Senk håndtaket helt, og lås det i nedre stilling ved å skyve inn stopperstiften. Bruk en trekantlinjal, en ansatsvinkel e.l. til å stille inn en rett vinkel mellom sagbladet og føringsvernet. Trekk deretter sekskanthullskruene på føringsvernet godt til, fra høyre mot venstre.

Fig.46

Sørg for at pekeren viser til 0° på gjæringskalaen. Hvis pekeren ikke viser til 0°, må du løsne skruen som fester pekeren og justere pekeren slik at den viser til 0°.

2. Skjæringsvinkel

- (1) 0° skjæringsvinkel

Fig.47

Dytt vognen helt mot føringsvernet og stram låseskruen for å feste vognen. Senk håndtaket helt, og lås det i nedre stilling ved å skyve inn stopperstiften. Løsne hendelen på baksiden av maskinen.

Fig.48

Drei sekskantskruen på høyre side av armen to eller tre omdreininger mot klokken for å vippe bladet mot høyre.

Fig.49

Bruk en trekantlinjal, en ansatsvinkel e.l. til forsiktig å stille inn en rett vinkel mellom sagbladet og oversiden av dreiefoten ved å skru sekskantskruen på høyre side av armen med klokken. Deretter må hendelen strammes godt.

Fig.50

Forsikre deg om at pekeren på armen peker på 0° på skråvinkelskalaen på armholderen. Hvis de ikke peker på 0°, må du løsne skruene som holder viseren, og justere den så den peker på 0°.

- (2) 45° skjæringsvinkel

Fig.51

45° vertikal skråvinkel må bare justeres etter justering av 0° vertikal skråvinkel. Juster venstre 45° skråvinkel ved å løsne hendelen og vippe bladet så langt som mulig mot venstre. Forsikre deg om at pekeren på armen peker på 45° på skråvinkelskalaen på armholderen. Hvis pekeren ikke peker på 45°, dreier du justeringsskruen for 45° skråvinkel på høyre side av armholderen til pekeren peker på 45°.

Juster høyre 45° skråvinkel ved å følge samme prosedyre som beskrevet over.

Fig.52

Ta ut og kontroller kullbørstene med jevne mellomrom. Skift dem når de er slitt ned til en lengde på 3 mm. Hold kullbørstene rene og sørg for at de kan bevege seg fritt i holderne. Begge kullbørstene må skiftes samtidig. Bruk bare identiske kullbørster.

Fig.53

Bruk en skrutrekker til å fjerne børsteholderhettene. Ta ut de slitte kullbørstene, sett i nye, og fest børsteholderhettene.

Etter bruk

- Etter bruk, må du tørke av fliser og støv som kleber til sagen med en klut eller lignende. Hold bladvernet rene i henhold til instruksjonene i avsnittet "Bladvern". Smør glidedelene med maskinolje for å hindre at maskinen ruster.
- Når du skal lagre verktøyet, må du trekke vognen helt mot deg.

For å opprettholde produktets SIKKERHET og PÅLITELIGHET, må reparasjoner, vedlikehold og justeringer utføres av Makitas autoriserte servicesentre, og det må alltid brukes reservedeler fra Makita.

VALGFRITT TILBEHØR

⚠ ADVARSEL:

- **Det anbefales at du bruker dette Makita-tilbehøret sammen med den Makita-maskinen som er spesifisert i denne håndboken.** Bruk av annet tilbehør kan resultere i alvorlige personskader.
- **Makita-tilleggsutstyret og -tilbehøret skal kun brukes for det formål det er beregnet for.** Hvis tilleggsutstyret eller tilbehøret brukes på en annen måte eller for andre formål enn det som er angitt, kan det oppstå alvorlige personskader.

Ta kontakt med ditt lokale Makita-servicesenter hvis du trenger mer informasjon om dette tilbehøret.

- Sagblad med stål- og karbidspisser

Gjæringsagblader	For jevne og presise snitt i forskjellige materialer.
Kombinasjon	Universalblad for rask og jevn kløving, kapping og gjæring.
Kapping	For jevnere snitt på tvers av fiberretningen. Skjærer rene snitt mot fiberretningen.
Fine tverrkutt	For glatte kutt mot fiberretningen.
Gjæringsagblader for ikke-jernholdige materialer	For gjæringsnitt i aluminium, kobber, messing, rør og andre ikke-jernholdige materialer.

006526

- Tilleggsanlegg R
- Skrustikkeenhet (horisontal skrustikke)
- Vertikal skrustikke
- Pipenøkkel med sekskantnøkkel i andre enden
- Holder
- Støvpose
- Albu
- Trekantlinjal

MERK:

- Enkelte elementer i listen kan være inkludert som standardtilbehør i verktøypakken. Elementene kan variere fra land til land.

SUOMI (alkuperäiset ohjeet)

Yleisen näkymän selitys

1-1. Pysäytintappi	21-2. Kiintoavaimen pidin	34-3. Puristinnuppi
2-1. Pulttit	22-1. Pysäytintappi	36-1. Kannatin
3-1. Teränsuojus	23-1. Istukka-avain	38-1. 52/38 ° kruunumallinen reunalista
4-1. Teränsuojus	23-2. Teräkotelo	38-2. 45 ° kruunumallinen reunalista
5-1. Ruuvi	23-3. Keskikansi	38-3. 45 ° kovero reunalista
5-2. Lovilauta	23-4. Kuusiopultti	39-1. Sisänurkka
6-1. Sahanterä	23-5. Teränsuojus	39-2. Ulkonurkka
6-2. Terän hammas	24-1. Teräkotelo	40-1. Ohjausaita
6-3. Lovilauta	24-2. Istukka-avain	40-2. Ruuvipuristin
6-4. Vasen viisteitysleikkaus	24-3. Kuusiopultti	40-3. Välikappale lohko
6-5. Suora leikkaus	24-4. Nuoli	40-4. Alumiiniektruusio
6-6. Oikea viisteitysleikkaus	24-5. Karalukitus	40-5. Välikappale lohko
7-1. Säätopultti	25-1. Teräkotelo	41-1. Alumiiniektruusio
7-2. Kiertopohja	25-2. Nuoli	41-2. Ohjausaita
8-1. Kiertopohjan yläpinta	25-3. Nuoli	41-3. Välikappale lohko
8-2. Terän ympäryys	25-4. Sahanterä	41-4. Vaakasuora ruuvipuristin (vaihtoehtoinen lisävaruste)
8-3. Ohjausaita	26-1. Kuusiomutteri (vasenkätinen)	42-1. Leikata uria terällä
9-1. Pysäytinvarsi	26-2. Ulkolaippa	44-1. Kuusiopultti
9-2. Säättöruuvi	26-3. Sahanterä	44-2. Ohjausaita
10-1. Jiiristeikko	26-4. Rengas	44-3. Kahva
10-2. Osoitin	26-5. Sisälaiippa	45-1. Ohjausaita
10-3. Lukitusvipu	26-6. Kara	45-2. Kolmikulma
10-4. Kahva	27-1. Istukka-avain	46-1. Ruuvi
11-1. Vipu	27-2. Teräkotelo	46-2. Osoitin
12-1. Vipu	27-3. Keskikansi	46-3. Jiiristeikko
12-2. Varsi	27-4. Kuusiopultti	47-1. Vipu
12-3. Osoitin	27-5. Teränsuojus	47-2. Varsi
12-4. Viisteitysasteikko	28-1. Pölysuutin	48-1. 0 ° säätopultti
13-1. Vipu	28-2. Pölypussi	48-2. Vasemman 45 ° viisteyskulman säätopultti
14-1. Osoitin	28-3. Kiinnitin	49-1. Kolmikulma
14-2. Vapautusnappi	29-1. Tuki	49-2. Sahanterä
14-3. Viisteitysasteikko	29-2. Kiertopohja	49-3. Kiertopöydän yläpinta
15-1. Lukitusruuvi	30-1. Liukuohjain	50-1. Ruuvi
16-1. Lukituksen vapautusnappi	30-2. Kiristysruuvi	50-2. Osoitin
16-2. Liipaisinkytkin	31-1. Liukuohjain	50-3. Viisteitysasteikko
16-3. Vipu	32-1. Vara-aita R	51-1. Oikean 45 ° viisteyskulman säätopultti
16-4. Reikä riippulukkoa varten	32-2. Ruuvit	51-2. Vasemman 45 ° viisteyskulman säätopultti
17-1. Lukituksen vapautusnappi	33-1. Puristinvarsi	53-1. Ruuvitaltta
17-2. Liipaisinkytkin	33-2. Puristinnuppi	53-2. Hiiliharjan pidikkeen kupu
17-3. Reikä riippulukkoa varten	33-3. Puristintanko	
18-1. Laaserin kytkin	33-4. Ruuvi	
20-1. Kuivaparisto	33-5. Ohjausaita	
21-1. Hylsyavain, jonka toisessa päässä on kuusioavain	34-1. Puristinlevy	
	34-2. Puristinmutteri	

TEKNISET TIEDOT

Malli	LS1018 / LS1018L
Terän halkaisija	255 mm - 260 mm
Terän paksuus	1,6 mm - 2,4 mm
Aukon halkaisija	
Kaikille Euroopan ulkopuolella oleville maille.	25,4 mm
Eurooppalaisille maille	30 mm
Maks. Leikkauskaasiteetit (K x L) 260 mm halkaisijalla	

Jiirikulma	Viisteyskulma		
	45° (vasen)	0°	45° (oikea)
0°	50 mm x 310 mm	91 mm x 310 mm	31 mm x 310 mm
45°	50 mm x 220 mm	91 mm x 220 mm	31 mm x 220 mm
60° (oikea)	-	91 mm x 153 mm	-

Nopeus kuormittamattomana (min⁻¹) 4 300
 Laasertyyppi (ainoastaan LS1018FL) Punainen laser 650 nm, < 1 mW (laserluokka 2)
 Mitat (P x L x K) 825 mm x 536 mm x 633 mm
 Nettopaino Kaikille Euroopan ulkopuolella oleville maille.....19,8 kg
 Eurooppalaisille maille.....19,9 kg

Turvallisuusluokka

- Jatkuvan tutkimus- ja kehitysohjelman vuoksi pidätämme oikeuden muuttaa tässä mainittuja teknisiä ominaisuuksia ilman ennakkoilmoitusta.
- Tekniset ominaisuudet saattavat vaihdella eri maissa.
- Paino EPTA-menetelmän 01/2003 mukaan

END222-4



Symbolit

Laitteessa on käytetty seuraavia symboleja. Opettele näiden merkitys, ennen kuin käytät konetta.



- Katso käyttöohjeita.



- KAKSINKERTAINEN ERISTYS



- Pidä sahauspäättä alhaalla sahaamisen jälkeen, kunnes terä on kokonaan pysähtynyt. Näin vältät pirstaleiden aiheuttamat onnettomuudet.



- Kun suoritetaan liukuleikkaus, vedä ensin kelkka täysin ulos ja paina kahva alas, työnnä sitten kelkkaa ohjaimen suuntaan.



- Älä sijoita käsiä äläkä sormia terän lähelle.



- Säädä liukuohjaimet asianmukaisesti irti terästä ja terän suojuksesta.



- Poista aina oikea sivuohjain, kun suoritat oikean puolen viisteleikkauksia. Muuten seurauksena voi olla vakava vamma käyttäjälle.



- LASERSÄTEILYÄ: Älä katso säteeseen. Suora lasersäde voi vahingoittaa silmiäsi.

- Koskee vain EU-maita
 Älä hävitä sähkötarvikkeita tavallisen kotitalousjätteen mukana!
 Vanhoja sähkö- ja elektroniikkalaitteita koskevan EU-direktiivin ja sen maakohtaisten sovellusten mukaisesti käytetyt sähkötarvikkeet on toimitettava ongelmajätteen keräyspisteeseen ja ohjattava ympäristöystävälliseen kierrätykseen.

ENE006-1

Käyttötarkoitus

Työkalu on tarkoitettu puun tarkkaan suoraan sahaukseen ja jiirisahaukseen. Voidaan sahata myös alumiinia sopivalla sahanterällä.

ENF002-2

Virtalähde

Laitteen saa kytkeä vain sellaiseen virtalähteeseen, jonka jännite on sama kuin arvokilvessä ilmoitettu, ja sitä saa käyttää ainoastaan yksivaiheisella vaihtovirralla. Laitte on kaksinkertaisesti suojaeristetty, ja se voidaan siten kytkeä myös maadoittamattomaan pistorasiaan.

ENG905-1

Melutaso

Tyypillinen A-painotettu melutaso määräytyy EN61029-standardin mukaan:

Äänenpainetaso (L_{PA}): 97 dB (A)
 Äänitehotaso (L_{WA}): 103 dB (A)
 Virhemarginaali (K): 3 dB (A)

Käytä kuulosuojaimia

Värähtely

Värähtelyn kokonaisarvo (kolmiakselivektorin summa) on määriteltä EN61029mukaan:

Tärinäpäästö (a_n): 2,5 m/s² tai vähemmän
Virhemarginaali (K): 1,5 m/s²

ENG901-1

- Ilmoitettu tärinäpäästöarvo on mitattu standarditestausmenetelmän mukaisesti, ja sen avulla voidaan vertailla työkaluja keskenään.
- Ilmoitettua tärinäpäästöarvoa voidaan käyttää myös altistumisen alustavaan arviointiin.

⚠VAROITUS:

- Sähkötyökalun käytön aikana mitattu todellinen tärinäpäästöarvo voi poiketa ilmoitetusta tärinäpäästöarvosta työkalun käyttötavan mukaan.
- Selvitä käyttäjän suojaamiseksi tarvittavat varoitimet todellisissa käyttöolosuhteissa tapahtuvan arvioidun altistumisen mukaisesti (ottaen huomioon käyttöjakso kokonaisuudessaan, myös jaksot, joiden aikana työkalu on sammutettuna tai käy tyhjäkäynnillä).

ENH003-15

Koskee vain Euroopan maita**VAKUUTUS EC-VASTAAVUUDESTA**

Makita ilmoittaa, että seuraava(t) kone(et)

Koneen tunnistetiedot:

Ristikelkkasaha

Mallinro/tyyppi: LS1018, LS1018L

Täyttävät seuraavien eurooppalaisten direktiivien vaatimukset:

2006/42/EC

On valmistettu seuraavien standardien tai standardoitujen asiakirjojen mukaisesti:

EN61029

Direktiivin 2006/42/EY mukaiset tekniset tiedot ovat saatavissa seuraavasta osoitteesta:

Makita, Jan-Baptist Vinkstraat 2, 3070, Belgium

30.5.2014



000331

Yasushi Fukaya
Johtaja

Makita, Jan-Baptist Vinkstraat 2, 3070, Belgium

Sähkötyökalujen käyttöä koskevat varoitukset

⚠ VAROITUS Lue kaikki turvallisuutta koskevat varoitukset ja ohjeet. Varoitusten ja ohjeiden noudattamatta jättäminen voi johtaa sähköiskuun, tulipaloon ja/tai vakavaan vammautumiseen.

Säilytä varoitukset ja ohjeet tulevaa käyttöä varten.

ENB034-9

VIISTOSAHAN TURVALLISUUSOHJEET

- Pidä kädet pois sahanterän liikeradalta. Vältä koskettamasta rullaavaa terää. Se voi aiheuttaa vakavan onnettomuuden.**
- Tarkista ennen käyttöä huolellisesti, ettei sahanterässä ole halkeamia tai vääntymiä. Vaihda vaurioituneet terät heti.**
- Vaihda kitapala, kun se on kulunut.**
- Käytä vain valmistajan ilmoittamia sahanteriä, jotka ovat standardin EN847-1 mukaisia.**
- Älä käytä pikateräksestä valmistettuja sahanteriä.**
- Pidä silmäsuojuksia.**
- Käytä kuulosuojaimia kuulovaurioriskin pienentämiseksi.**
- Pidä hansikkaita, kun käsittelet sahanteriä (sahanterät tulee kuljettaa kotelossa aina, kun mahdollista) ja karkeapintaisia materiaaleja.**
- Kytke jiirisahat pölynkeräyslaitteeseen sahausken aikana.**
- Valitse sahanterät leikattavan materiaalin mukaan.**
- Älä sahaa muuta kuin puuta, alumiinia tai vastaavia materiaaleja.**
- Kiinnitä kaikki liikkuvat osat aina ennen työkalun kuljetusta. Älä käytä suojusta kahvana, kun nostat tai kannat työkalua.**
- Älä käytä sahaa ilman suojuksia. Varmista terän suojuksen sulkeutuminen ennen jokaista käyttökertaa. Älä käytä sahaa, jos terän suojusta ei liiku vapaasti ja sulkeudu heti. Älä koskaan kiristä tai sido terän suojusta auki-asentoon.**
- Pidä lattia puhtaana irtomateriaalista, kuten lastuista ja leikatuista kappaleista.**
- Käytä vain sahanteriä, joihin merkitty enimmäisnopeus on vähintään yhtä suuri kuin työkaluun merkitty nopeus kuormittamattomana.**
- Jos työkalu on varustettu laserilla tai LED-valolla, älä vaihda laseria tai LED-valoa toisentyyppiseen. Pyydä valtuutettua huoltoliikettä korjaamaan laite.**
- Älä koskaan irrota leikattuja kappaleita tai muita osia työkappaleesta työkalun ollessa**

- käynnissä siten, että sahanterä pyöri suojaamattomana.
18. Älä suorita mitään toimenpiteitä vapaalla kädellä. Työkappale tulee kiinnittää kunnolla kääntöalustaan ja ohjaimen kappalepuristimella kaikkien toimintojen aikana. Älä koskaan varmenna työkappaleen kiinnitystä käsin.
 19. Varmista aina ennen sahaamista, että työkalu on vakaa.
 20. Kiinnitä työkalu tarvittaessa työpenkkiin.
 21. Tue pitkät työkappaleet asianmukaisilla lisätuilla.
 22. Älä koskaan leikkaa niin pientä työkappaletta, ettei sitä voi kiinnittää tukevasti puristimeen. Väärin kiinnitetty työkappale voi aiheuttaa takapotkun ja vakavia vammoja.
 23. Älä koskaan kosketa sahanterää.
 24. Sammuta kone ja odota, kunnes terä on pysähtynyt ennen kuin siirrä työkappaletta tai muutat asetuksia.
 25. Kytke työkalu pois päältä ennen sahanterän vaihtoa tai huoltoa.
 26. Lukitustappi, joka lukitsee leikkausterän, on tarkoitettu vain kantamiseen ja säilytykseen eikä sitä ole tarkoitettu leikkauskäyttöön.
 27. Älä käytä työkalua palavien nesteiden tai kaasujen läheisyydessä. Työkalun sähköinen toiminta voi aiheuttaa räjähdyksen ja tulipalon, jos sen läheisyydessä on palavia nesteitä tai kaasuja.
 28. Käytä ainoastaan tälle työkalulle tarkoitettuja laippoja.
 29. Ole varovainen, ettet vahingoita karaa, laippoja (erityisesti asennuspintaa) tai pulttia. Näiden osien vioittuminen voi aiheuttaa terän rikkoutumisen.
 30. Varmista, että kääntöalusta on kiinnitetty kunnolla, ettei se liiku käytön aikana.
 31. Poista lastut, pienet osat jne. pöydältä ennen käyttöä oman turvallisuutesi takaamiseksi.
 32. Vältä naulojen sahaamista. Tarkasta työkappale ja poista kaikki naulat ennen työstöä.
 33. Varmista, että karalukko on avattu, ennen kuin virta kytketään päälle.
 34. Varmista, ettei terä kosketa kääntöalustaa alimmassa kohdassa.
 35. Tartu kahvaan tiukasti. Muista, että saha liikkuu hieman ylös ja alas käynnistyksen ja pysähtymisen aikana.
 36. Varmista, että terä ei kosketa työkappaletta, ennen kuin painat kytkintä.
 37. Anna koneen käydä hetki ennen sen käyttämistä työkappaleeseen. Tarkkaile konetta värinän ja huojunnan varalta, mikä voisi olla merkki huonosti asennetusta tai tasapainotetusta terästä.
 38. Sahaa vasta, kun terä on saavuttanut täyden nopeuden.

39. Lopeta työskentely välittömästi, jos havaitset jotain tavallisesta poikkeavaa.
40. Älä yritä lukita liipaisinta päälläoloasentoon.
41. Ole valppaana jatkuvasti etenkin toistuvien, yksitoikkoisten tehtävien aikana. Älä tuudittaudu väärään turvallisuuden tunteeseen. Terät eivät anna toista mahdollisuutta.
42. Käytä vain tässä ohjeessa suositeltuja lisävarusteita. Sopimattomien lisävarusteiden kuten hiomaterien käyttö voi aiheuttaa onnettomuuden.
43. Ole varovainen kiinnittäessäsi terää.
44. Työskentelyssä syntyvä pöly voi sisältää syöpää, syntymävaurioita ja muita lisääntymishäiriöitä aiheuttavia kemikaaleja. Esimerkkejä tällaisista kemikaaleista ovat:
 - lyijypohjaisilla maaleilla maalattujen materiaalien sisältämä lyijy ja kemiallisesti kyllästetyn puutavaran sisältämä arsenikki ja kromi.
 - Altistumisen aiheuttama riski riippuu tällaisen työn toistuvuudesta. Vähennä altistumista näille kemikaaleille seuraavasti: työskentele hyvin tuuletetussa tilassa ja käytä hyväksytyjä suojarusteita, kuten erityisesti mikroskooppisten hiukkasten suodattamiseen suunniteltuja hengityssuojaimia.
45. Pidä terä aina terävänä ja puhtaana rajoittaaksesi melutasoa.
46. Koneen käyttäjä on asianmukaisesti koulutettu koneen toiminnoissa, säädoissa ja käytössä.

SÄILYTÄ NÄMÄ OHJEET.

⚠VAROITUS:

ÄLÄ anna työkalun helppokäyttöisyyden tai toistuvan käytön tuudittaa sinua väärään turvallisuuden tunteeseen niin, että laiminlyöt työkalun turvaohjeiden noudattamisen. VÄÄRINKÄYTTÖ tai tämän käyttöohjeen turvamääräysten laiminlyönti voi johtaa vakaviin henkilövahinkoihin.

ASENNUS

Työpöydän asennus

Kuva1

Laitteen kahva on lukittu kuljetuksen ajaksi ala-asentoon rajoitintapin avulla. Vapauta rajoitintappi painamalla kahvaa kevyesti alaspäin samalla kun vedät tapin ulos.

Kuva2

Työkalu tulee ruuvata neljällä ruuvilla tasaiselle pinnalle laitteen pohjassa olevia ruuvireikiä käyttäen. Tämä estää kärjityksen ja mahdollisen vammautumisen.

TOIMINTAKUVAUS

⚠VAROITUS:

- **Varmista aina ennen säätöjä tai tarkastuksia, että laite on sammutettu ja irrotettu virtalähteestä.** Jos laitetta ei sammuteta ja irroteta virtalähteestä, se voi käynnistyä vahingossa ja aiheuttaa vakavan henkilövahingon.

Teränsuojus

Kuva3

Kun lasket kahvaa alaspäin, teränsuojus nousee automaattisesti. Teränsuojus palautuu alkuperäiseen asentoonsa, kun sahaaminen lopetetaan ja kahva nostetaan ylös.

⚠VAROITUS:

- **Älä koskaan ohita tai poista teränsuojusta tai siihen kiinnittyvää joustia.** Jos laitetta käytetään terän jäädessä ilman suojusta, seurauksena voi olla vakava henkilövahinko.

Pidä teränsuojus oman turvallisuutesi vuoksi aina hyvässä kunnossa. Teränsuojuksen epänormaali toiminta tulee aina korjata välittömästi. Tarkista, että jousi palauttaa suojuksen paikalleen.

⚠VAROITUS:

- **Älä koskaan käytä työkalua, jos teränsuojus tai jousi on vahingoittunut, viallinen tai irronnut.** Jos työkalua käytetään, vaikka suojus on vahingoittunut, viallinen tai irronnut, seurauksena voi olla vakava henkilövahinko.

Jos läpinäkyvä teränsuojus likaantuu tai siihen kertyy sahanpurua siten, että terää ja/tai työkalua ei enää näy, irrota saha pistorasiasta ja puhdista suojus huolellisesti kostealla liinalla. Älä käytä liuottimia äläkä öljypohjaisia puhdistusaineita, sillä ne voivat vahingoittaa muovista suojusta.

Jos teränsuojus likaantuu ja on tarpeen puhdistaa, jotta laite toimisi moitteettomasti, menettele seuraavasti:

Kun työkalu on sammutettu ja irrotettu virtalähteestä, irrota keskiösuojusta paikallaan pitävä kuusioruuvi varusteisiin kuuluvalla hylsyavaimella. Irrota kuusioruuvi kiertämällä sitä vastapäivään ja nosta sitten teränsuojusta ja keskiösuojusta.

Kuva4

Kun teränsuojus on tässä asennossa, puhdistus voidaan suorittaa perusteellisesti ja tehokkaasti. Kun puhdistus on suoritettu, tee yllä mainitut toimet päinvastaisessa järjestyksessä ja kiinnitä ruuvi. Älä irrota joustia, joka pitää teränsuojusta paikallaan. Jos suojus värjäytyy iän tai ultravioletivalolle altistumisen myötä, ota yhteys Makitan huoltopisteeseen saadaksesi uuden suojuksen. **ÄLÄ OHITA TAI POISTA SUOJUSTA.**

Lovilaudan sijoittaminen

Kuva5

Kuva6

Työkalu annetaan kiertopohjassa olevien lovilautojen kanssa minimoimaan leikkauksen poistumispuolen repimistä. Lovilaudat ovat tehtaan säätämiä, jotta sahanterä ei koskettavisi lovilautoja. Ennen käyttöä säädä lovilaudat seuraavasti:

Irrota kone ensin pistorasiasta. Löysää kaikki uurrostoja paikallaan pitävät ruuvit (kolme ruuvia vasemmalla ja oikealla). Kiristä niitä vain sen verran, että uurrostoja voi edelleen helposti siirtää käsin. Laske kahva kokonaan alas ja lukitse se sitten ala-asentoon työntämällä rajoitintappi sisään. Löysää liukuvarsia paikallaan pitävää ruuvia. Vedä kelkka kokonaan itseesi päin. Säädä uurrostoja siten, että uurrostoasot juuri ja juuri koskettavat terän hampaiden syrjiä. Kiristä eturuuvit (älä kiristä liikaa). Työnnä kelkka kokonaan ohjaimen suuntaan ja säädä uurrostoasot siten, että uurrostoasot juuri ja juuri koskettavat terän hampaiden syrjiä. Kiristä takaruuvit (älä kiristä liikaa). Kun uurrostoasojen säätö on tehty, vapauta rajoitintappi ja nosta kahva. Kiristä sitten kaikki ruuvit tiukasti.

HUOMAUTUS:

- **Varmista viistekulman asettamisen jälkeen, että uurrostoasot on säädetty oikein.** Kun uurrostoasot on säädetty oikein, työkalulle pysyy tukevasti paikallaan eikä repeydy helposti.

Maksimi leikkukapasiteetin ylläpitäminen

Tämä työkalu on säädetty tehtaalla siten, että se tarjoaa suurimman mahdollisen sahauskyvyn 255 mm:n sahanterälle.

Irrota työkalu pistorasiasta, ennen kuin teet minkäänlaisia säätötoimenpiteitä. Kun kiinnität uuden terän, tarkista aina terän alin asema ja säädä sitä tarvittaessa seuraavasti:

Kuva7

Kuva8

Irrota kone ensin pistorasiasta. Työnnä kelkka kokonaan ohjaimen suuntaan ja laske kahva kokonaan alas. Käännä säätöruuvia kuusioavaimella, kunnes terän reuna ulottuu hieman kääntöalustan yläpinnan alapuolelle kohdassa, jossa ohjaimen etupuoli kohtaa kääntöalustan yläpinnan.

Työkalun ollessa irtikytkettynä, pyöritä terää käsin kahvaa samalla alas pitäen varmistaaksesi, ettei terä kosketa alemman pohjan osia. Säädä hieman uudestaan tarpeen mukaan.

⚠VAROITUS:

- **Kun olet kiinnittänyt uuden terän, varmista aina, että terä ei kosketa mihinkään alustan kohtaan, kun kahva on kokonaan alhaalla.** Jos terä koskettaa alustaa, seurauksena voi olla takapotku ja vakava henkilövahinko.

Lukitusvarsi

Kuva9

Terän alemmaa raja-asentoa voi helposti säätää lukitusvarren avulla. Siirrä lukitusvartta kuvan osoittamalla tavalla nuolen osoittamaan suuntaan sen säätämiseksi. Säädä säätöruuvia siten, että terä pysähtyy haluttuun asentoon, kuin alennat kahvaa täysin.

Viistokulman asetus

Kuva10

Löysää kädensijaa kääntämällä sitä vastapäivään. Kierrä kiertopohjaa samalla lukkovipua alas painaen. Kun olet siirtänyt kädensijan sellaiseen asentoon, jossa osoitin osoittaa viistoasteikossa haluttuun kulmaan, kiristä hyvin kädensijaa myötäpäivään.

⚠HUOMAUTUS:

- Viistokulman vaihtamisen jälkeen varmista aina kiertopohja kiristämällä kädensijaa tiukasti.

HUOMAUTUS:

- Kiertopohjaa kääntäessä, varmista, että nostat kahvan täysin.

Viisteityskulman asetus

Kuva11

Viisteityskulman säätöön, löysennä työkalun takapuolella olevaa vipua vastapäivään. Vapautta varren lukitus työntämällä kahvaa jokseenkin lujasti siihen suuntaan, johon sahanterän aiot kallistaa.

HUOMAUTUS:

- Vivun voi säätää eri kulmaan irrottamalla vipua paikallaan pitävä ruuvi ja kiinnittämällä vipu uudelleen haluttuun kulmaan.

Kuva12

Kallista sahanterää, kunnes osoitin osoittaa viisteitysasteikossa haluttuun kulmaan. Kiristä sitten vipua myötäpäivään hyvin varren varmistukseksi.

Kuva13

Kun kallistat kelkkaa oikealle, kallista kelkkaa hieman vasemmalle vivun löysäämisen jälkeen ja paina vapautuspainiketta. Pidä vapautuspainike painettuna ja kallista kuljetinta oikealle.

Kuva14

Kallista sahanterää, kunnes osoitin osoittaa viisteitysasteikossa haluttuun kulmaan. Kiristä sitten vipua myötäpäivään hyvin varren varmistukseksi.

- Viisteityskulmaa vaihtaessasi, sijoita lovilaudat varmasti asianmukaisesti, kuten "Lovi lautojen sijoittaminen" osassa on selitetty.

⚠HUOMAUTUS:

- Viisteityskulman muuttamisen jälkeen varmista aina varsi kiristämällä vipua myötäpäivään.

HUOMAUTUS:

- Varmista sahanterää kallistaessasi, että kahva on kokonaan ylhäällä.
- Viisteityskulmaa vaihtaessasi, sijoita lovilaudat varmasti asianmukaisesti, kuten "Lovi lautojen sijoittaminen" osassa on selitetty.

Liukulukituksen säätö

Kuva15

Lukitse liukuvarsi kääntämällä lukitusruuvia myötäpäivään.

Kytkimen toiminta

Eurooppalaisille maille

Kuva16

Laitteessa on lukituksen vapautuspainike, joka estää liipaisinkytkimen painamisen vahingossa. Laitteen käynnistämiseen paina lukituksen vapautuspainiketta ja vedä sitten liipaisinkytkimestä. Laitte pysäytetään vapauttamalla liipaisinkytkin.

⚠VAROITUS:

- **Varmista aina ennen koneen kytkemistä virtalähteeseen, että liipaisinkytkin toimii moitteettomasti ja palautuu vapautettaessa OFF-asentoon. Älä vedä liipaisinkytkimestä voimakkaasti, ellet samalla paina lukituksen vapautuspainiketta. Kytkin voi rikkoutua.** Jos työkalua käytetään, vaikka kytkin ei toimi moitteettomasti, seurauksena voi olla vakava henkilövahinko.

Liipaisinkytkimessä on reikä, johon voi asettaa riippulukon työkalun lukitsemista varten.

Kaikille Euroopan ulkopuolella oleville maille.

Kuva17

Laitteessa on lukituksen vapautuspainike, joka estää liipaisinkytkimen painamisen vahingossa. Käynnistä saha painamalla lukituksen vapautuspainiketta sisään ja vetämällä liipaisinkytkimestä. Laitte pysäytetään vapauttamalla liipaisinkytkin.

⚠VAROITUS:

- **Varmista aina ennen koneen kytkemistä virtalähteeseen, että liipaisinkytkin toimii moitteettomasti ja palautuu vapautettaessa OFF-asentoon. Älä vedä liipaisinkytkimestä voimakkaasti, ellet samalla paina lukituksen vapautuspainiketta. Kytkin voi rikkoutua.** Jos työkalua käytetään, vaikka kytkin ei toimi moitteettomasti, seurauksena voi olla vakava henkilövahinko.

Liipaisinkytkimessä on reikä, johon voi asettaa riippulukon työkalun lukitsemista varten.

⚠VAROITUS:

- **Älä käytä lukkoa, jonka sangan tai vaijerin läpimitta on alle 6,35 mm.** Jos sanka tai vaijeri on tätä ohuempi, työkalu ei lukkiudu asianmukaisesti

off-asentoon ja saattaa käynnistyä vahingossa, mistä voi seurata vakava henkilövahinko.

- **ÄLÄ KOSKAAN** käytä konetta, jonka liipaisinkytkin ei toimii moitteettomasti. Epäkuntoisella kytkimellä varustettu kone on ERITTÄIN VAARALLINEN. Se tulee korjata välittömästi ennen käytön jatkamista vakavien henkilövahinkojen välttämiseksi.
- Käyttäjän turvallisuuden vuoksi sahasa on lukituksen vapautuspainike, joka estää sahan käynnistämisen vahingossa. ÄLÄ KOSKAAN käytä sahaa, jos se käynnistyy pelkästään liipaisinkytkintä painamalla ilman, että samalla painetaan lukituksen vapautuspainiketta. Jos kytkin on viallinen, laite saattaa käynnistyä vahingossa, mistä voi seurata vakava henkilövahinko. Toimita saha MAKITA-huoltoon korjattavaksi ENNEN käytön jatkamista.
- ÄLÄ KOSKAAN ohita lukituksen vapautuspainiketta teippaamalla sitä kiinni tai muulla tavoin. Jos kytkimen lukituksen vapautuspainike ohitetaan, laite saattaa käynnistyä vahingossa, mistä voi seurata vakava henkilövahinko.

Sähköinen toiminta

Pehmeä käynnisty

- Tämä toiminto mahdollistaa työkalun pehmeän käynnistytksen rajoittamalla käynnistytksen vääntömomenttia.

Lasersäde-toiminta

Ainoastaan mallille LS1018L

HUOMAUTUS:

- Asenna ennen ensimmäistä käyttöä kaksi AA-kuivapariota paristokoteloon. Lisätietoja asentamisesta on "Laseryksikön kuivapariotjen vaihtaminen" osassa.

⚠HUOMAUTUS:

- Sammuta laser aina, kun sitä ei käytetä

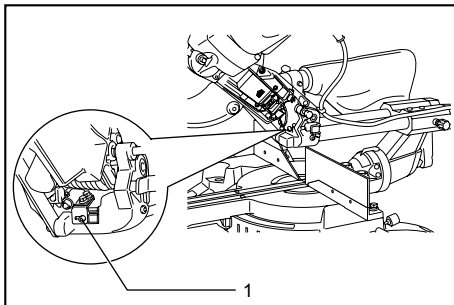
Kuva18

⚠HUOMAUTUS:

- Älä koskaan katso lasersäteeseen. Välitön lasersäde voi vahingoittaa silmiäsi.
- LASERSÄTEILYÄ, ÄLÄ KATSO SÄTEESEEN. LUOKAN 2 LASERLAITE.
- Irrota laite aina pistorasiasta ennen laserlinjan siirtämistä tai huoltotöiden ja säätöjen tekemistä.

Kytke lasersäde päälle painamalla kytkin ylempään asentoon (1). Kytke lasersäde pois päältä painamalla kytkin alempaan asentoon (0).

Laserlinja voidaan siirtää sahanterän vasemmalle tai oikealle puolelle löysäämällä laseryksikön kotelon ruuvia ja siirtämällä sitä haluttuun suuntaan. Muista kiristää ruuvi siirtämisen jälkeen.



1. Laseryksikön kotelon ruuvi

010473

Laseryhteys tehtaassa säädetty, joten sen voi asentaa 11 mm:n rajoissa terän sivupinnoista (leikkausasema).

HUOMAUTUS:

- Jos lasersäde näkyy himmeänä eikä erotu kunnolla auringonvalon vuoksi, siirry työskentelemään paikkaan, johon aurinko ei pääse paistamaan suoraan.

Laseryksikön kuivapariotjen vaihtaminen

Kuva19

Kuva20

Irrota laseryksikön kuivapariotjen kansi liu'uttamalla sitä samalla, kun painat sitä alaspäin. Poista vanhat kuivapariot ja pane uudet tilalle kuvassa esitetyllä tavalla. Pane kansi vaihdon jälkeen takaisin paikalleen.

Laserlampun linssien puhdistus

Jos laserlampun linssi likaantuu, tai sahanpurua liimautuu siihen siten, ettei laserlinja ole enää hyvin näkyvissä, kytke saha irti ja poista ja puhdistaa laserlampun linssi varovasti kostealla, pehmeällä rätillä. Älä käytä liuottimia tai öljypohjaisia puhdistusaineita linssiin.

HUOMAUTUS:

- Laseryhteyden ollessa himmeä ja melkein tai täysin näkymätön työpaikalla olevan sisäisen tai ulkoisen välittömän auringonvalon vuoksi, siirrä työalue muualle, missä se ei ole välittömässä auringonvalossa.

KOKOONPANO

⚠VAROITUS:

- **Varmista aina, että laite on sammutettu ja irrotettu virtalähteestä, ennen kuin teet sille mitään kunnossapitotoimia.** Jos laitetta ei sammuteta ja irroteta virtalähteestä, seurauksena voi olla vakava henkilövahinko.

Säilytyspaikka hylsyavaimelle, jonka toisessa päässä on kuusioavain

Kuva21

Hylsyavainta säilytetään kuvan osoittamalla tavalla. Kun tarvitset hylsyavainta, vedä se irti avaimen pitimestä. Palauta hylsyavain käytön jälkeen avaimen pitimeen.

Sahanterän kiinnitys ja irrotus

⚠VAROITUS:

- **Varmista aina ennen terän kiinnittämistä ja irrottamista, että laite on sammutettu ja irrotettu virtalähteestä.** Jos laite käynnistyy vahingossa, seurauksena voi olla vakava henkilövahinko.
- **Kiinnitä ja irrota terä aina Makitan hylsyavaimella.** Jos käytät jotakin muuta avainta, kuusioruuvi voi tulla liian kireälle tai jäädä liian löysälle, mistä voi seurata vakava henkilövahinko.

Kuva22

Lukitse kahva nostettuun asemaan työntämällä lukkotappia sisään.

Kuva23

Terän poistamiseksi käytä istukka-avainta löysentääksesi keskimmäistä kantta pitävää kuusiomutteria siten, että käännät sitä vastapäivään. Nosta teränsuojus ja keskimmäinen kansi.

⚠VAROITUS:

- **Älä irrota muita ruuveja kuin kuvassa esitetty kuusioruuvi.** Jos erehdyksessä irrotat jonkin muun ruuvin ja teränsuojus irtoaa, muista asentaa teränsuojus takaisin paikalleen.

Kuva24

Paina akselin lukkoa akselin lukitukseen ja käytä istukka-avainta kuusioruuvien löysäämiseen myötäpäivään. Poista sitten kuusioruuvi, ulkolaippa ja terä.

HUOMAUTUS:

- Jos sisälaippa irrotetaan, varmista, että asennat sen karaa vasten siten, että sen uloke osoittaa terästä poispäin. Jos laippa asennetaan väärin, se hankautuu konetta vasten.

⚠VAROITUS:

- **Varmista aina ennen terän sovittamista karalle, että sisä- ja ulkolaippojen väliin on asennettu oikea akselin reiän rengas käytettävän terän mukaisesti.** Vääränlaisen akselin reiän renkaan käyttäminen voi aiheuttaa terän virheellisen kiinnityksen, jolloin terä pääsee liikkumaan ja tarvitsee voimakkaasti, minkä seurauksena voi olla työkalun hallinnan menetys ja vakava henkilövahinko.

Kuva25

Terän asentamiseen istuta se varovasti pystyakselin päälle varmistaen, että terän pinnassa olevan nuolen suunta on sama, kuin terän kotelossa olevan nuolen suunta.

Asenna ulkolaippa ja kuusioruuvi, ja käytä sitten istukka-avainta kiristääksesi kuusioruuvi (vasenkätinen) lujasti vastapäivään samalla, kuin painat akselilukkoa.

Kuva26

⚠HUOMIO:

- Rengas, joka on 25,4 tai 30 mm ulkohalkaisijaltaan, on tehtaan asettama pystyakselin päälle. Ennen terän istuttamista pystyakselin päälle varmista aina, että terän akselinreiän oikea rengas, jota aiota käyttää on asennettu pystyakselin päälle.

Asenna ulkolaippa ja kuusioruuvi, ja kiristä sitten lujasti kuusioruuvia istukka-avainta käyttäen vastapäivään samalla akselilukkoa painaen.

Kuva27

Palauta teränsuojus ja keskiösuojus alkuperäiseen asentoonsa. Kiristä sitten kuusioruuvia myötäpäivään varmistaaksesi keskiösuojuksen kiinnityksen. Vapauta kahva yläasennosta vetämällä rajoitintappia. Laske kahvaa varmistaaksesi, että teränsuojus liikkuu oikein. Varmista ennen sahaamista, että karalukitus vapauttaa karan.

Pölypussi (lisävaruste)

Kuva28

Pölypussin käytön ansiosta sahaaminen on siististä ja pölyn kerääminen helppoa. Kiinnitä pölypussi sovitamalla se pölysuuttimen päälle.

Kun pölypussi on noin puoliksi täynnä, poista pölypussi laitteesta ja vedä kiinnitin ulos. Tyhjenä pölypussin sisältö napauttaa sen kevyesti siten, että sen sisäpuolelle kiinnittyneet osaset poistuvat, sillä ne saattavat vaikeuttaa lisäkeräystä.

HUOMAUTUS:

Sahaaminen on siistimpää, kun liität sahaan pölynimurin.

Työkappaleen kiinnittäminen

⚠VAROITUS:

- **Työkappale pitää aina tukea asianmukaisesti käyttämällä oikeanlaista ruuvipuristinta tai kruunumallisen reunalistan rajoittimia.** Muutoin seurauksena voi olla vakava henkilövahinko ja laiteen ja/tai työkappaleen vahingoittuminen.
- **Kun olet lopettanut sahaamisen, älä nosta terää ylös, ennen kuin se on kokonaan pysähtynyt.** Jos terä nostetaan sen vielä pyöriessä, seurauksena voi olla vakava henkilövahinko ja työkappaleen vahingoittuminen.
- **Tukijalustaa pidempää työkappaletta sahattaessa materiaali pitää tukea koko tukijalustan ylittävältä pituudeltaan ja yhtä**

korkealta kuin jalusta siten, että se pysyy suorassa. Kun tuet työkappaleen asianmukaisesti, vältät terän jumiutumisen ja mahdollisen takapotkun, joka voi aiheuttaa vajavan henkilövahingon. Älä luota yksinomaan pystypenkkiin ja/tai vaakapenkkiin työkappaleen kiinnityksessä. Ohuilla materiaaleilla on taipumus painua. Tue työkappale koko pituudeltaan välttääksesi terän jumiutumisen ja mahdollisen TAKAPOTKUN.

Kuva29

Sahausvasteen (LIUKUOHJAIMEN) säätö

Kuva30

⚠VAROITUS:

- Varmista ennen työkalun käyttöä, että liukuohjain on kiinnitetty tukevasta paikalleen.
- **Varmista ennen viistesahausta, ettei laitteen mikään osa (varsinkaan terä) kosketa ohjainta, kun lasket kahvan kokonaan alas tai nostat sen kokonaan ylös missä tahansa asennossa tai kun siirät kelkan ääriasentoonsa saakka.** Jos laite tai terä osuu ohjaimen, seurauksena voi olla takapotku tai materiaalin odottamaton liikkuminen, mikä voi aiheuttaa vakavan henkilövahingon.

Kuva31

⚠HUOMAUTUS:

- Liu'uta liukusäädin vasemmalla viistesahausta tehtäessä ja tue se paikalleen kuvassa näkyvällä tavalla. Muutoin se koskettaa terää tai muuta laitteen osaa, mistä voi aiheutua käyttäjälle vakavia vammoja.

Tämä laite on varustettu liukuohjaimella, joka on tavallisesti syytä sijoittaa kuvan osoittamalla tavalla.

Kun teet vasemmanpuoleisia viistesahauksia, aseta ohjain vasemmanpuoleiseen asentoon kuvassa esitetyllä tavalla.

Kun viistesahausta suoritetaan, muista palauttaa ohjain alkuperäiseen asentoonsa ja tue se paikalleen kiristämällä kiristysruuvi huolellisesti.

Vara-aita R

⚠VAROITUS:

- Varmista ennen työkalun käyttöä, että lisäohjain R on kiinnitetty tukevasta paikalleen.
- Irrota lisäohjain R, ennen kuin teet oikeanpuoleisia viistesahauksia. Muutoin se koskettaa terää tai laitteen muuta osaa, mistä voi aiheutua käyttäjälle vakavia vammoja.

Kuva32

Lisäohjain R voidaan irrottaa ohjaimen oikealta puolelta. Irrota lisäohjain R löysäämällä ruuvi, joka pitää lisäohjainta R paikallaan, ja vedä lisäohjain sitten ulos. Asenna lisäohjain tekemällä irrotustoimenpiteet käänteisessä järjestyksessä.

Kun viistesahausta suoritetaan, muista palauttaa lisäohjain R alkuperäiseen asentoonsa ja tue se paikalleen kiristämällä kiristysruuvi huolellisesti.

Pystysuora ruuvinpuristin

Kuva33

Pystypenkin voi asentaa ohjaimen vasemmalle tai oikealle puolelle. Työnnä ruuvinpuristimen tanko ohjaimessa olevaan reikään ja tue ruuvinpuristimen tanko paikalleen kiristämällä ohjaimen takapuolella olevaa ruuvia.

Sijoita ruuvinpuristimen varsi työkappaleen paksuuden ja muodon mukaan ja varmista ruuvinpuristimen varsi kiristämällä ruuvia. Jos ruuvinpuristimen varren varmistava ruuvi koskettaa ohjausaitaa, pistä ruuvi ruuvinpuristimen varren päinvastaiselle puolelle. Varmista, ettei laitteen mikään osa kosketa ruuvinpuristinta silloin, kuin alennat täysin kahvan ja vedät tai työnnät kuljetinta loppuun asti. Jos jokin osa koskettaa ruuvinpuristinta, sijoita ruuvinpuristin uudestaan.

Purista työkappaleen litteäksi ohjausaitaa ja kierroslohjaa vasten. Sijoita työkappale haluttuun leikkausasentoon ja varmista se lujasti kiristämällä ruuvinpuristimen nuppia.

⚠VAROITUS:

- **Työkappale on kiinnitettävä kaikkien töiden ajaksi ruuvinpuristimella tiukasti kääntöjalustaa ja ohjainta vasten.** Jos työkappaletta ei tueta asianmukaisesti ohjainta vasten, materiaali voi päästä liikkumaan sahauskäytön aikana, jolloin terä voi vahingoittua. Materiaali saattaa myös sinkoutua irti aiheuttaen hallinnan menettämisen, mistä voi seurata vakava henkilövahinko.

Vaakasuoja ruuvinpuristin (vaihtoehtoinen lisävaruste)

Kuva34

Vaakapenkin voi asentaa kahteen asentoon jalustan vasemmalle tai oikealle puolelle. Kun teet 10-asteisia tai suurempia jirisausahauksia, asenna vaakapenkki kääntöjalustan kääntämissuuntaan nähden vastakkaiselle puolelle.

Kuva35

Ruuvinpuristin vapautuu käännettäessä puristimen mutteria vasemmalle, jolloin se liikkuu nopeasti sisään ja ulos. Kiinnitä työkappale työntämällä puristimen nuppia eteenpäin, kunnes puristimen levy koskettaa työkappaletta, ja kääntämällä puristimen mutteria myötäpäivään. Varmista sitten työkappaleen kiinnitys kiertämällä puristimen nuppia myötäpäivään.

Vaakapenkin avulla voi tukea paikalleen enintään 215 mm leveän työkappaleen.

Vaakasuoja ruuvinpuristinta asennettaessa pohjan oikealle sivulle, käytä myös vara-aitaa R työkappaleen lujemman kiinnityksen saavuttamiseksi. Ks. aikaisemmin kuvattua "Vara-aita R" jaksoa vara-aita R:n asennuksesta.

⚠VAROITUS:

- **Käännä puristimen mutteria aina myötöpäivään, kunnes työkappale on tuettu tukevasti paikalleen.** Jos työkappaletta ei tueta asianmukaisesti, materiaali voi päästä liikkumaan sahausken aikana, jolloin terä voi vahingoittua. Materiaali saattaa myös sinkoutua irti aiheuttaen hallinnan menettämisen, mistä voi seurata vakava henkilövahinko.
- Tue ohut työkappale (esim. jalkalista) ohjainta vasten aina vaakapenkin avulla.

Kannattimet

Kuva36

Kannattimet voi asentaa kummallekin puolelle tukemaan työkappaleita vaakasuunnassa. Liu'uta kannatintangot pohjassa oleviin reikiin. Tue kannattimet sitten paikalleen kiristämällä ruuvi.

⚠VAROITUS:

- **Tue pitkä työkappale aina siten, että se on kääntöjalustan yläpinnan kanssa samassa tasossa.** Tällä varmistetaan tarkka sahaus ja estetään vaarallinen työkalun hallinnan menettäminen. Kun tuet työkappaleen asianmukaisesti, vältät terän jumiuutumisen ja mahdollisen takapotkun, joka voi aiheuttaa vajavan henkilövahingon.

KÄYTTÖ

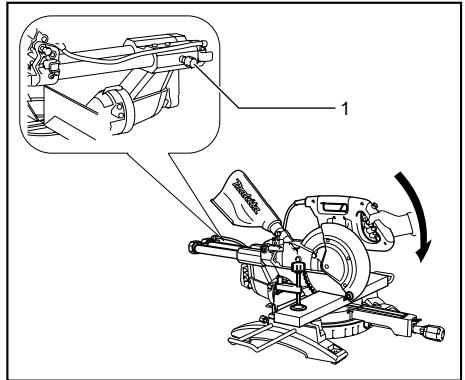
HUOMAUTUS:

- Ennen käyttöä, vapauta varmasti kahva alennetusta asemasta vetämällä pysäytintappia.
- Älä sovelle liikaa painetta kahvaan leikatessa. Liian kova pakotus saattaa ylikuormittaa moottoria ja /tai heikentää leikkaustehoa. Paina kahvaa alas vain sen verran, kuin tarpeellista kitkattoman leikkauksen saavuttamiseksi sekä ilman merkittävää terännopeuden vähentämistä.
- Paina hellävaroen kahvaa leikkauksen tekemiseen. Jos kahvaa painetaan väkisin alas tai jos sovelletaan sivullisen voimaa, terä tärisee ja jättää jäljen (sahanjäljen) työkappaleeseen ja leikkauksen tarkkuus huononee.
- Liu'uleikkauksen aikana, paina hellävaroen kuljetinta ohjausaitaa päin ilman pysähtymistä. Jos kuljettimen liike pysäytetään leikkauksen aikana, työkappaleeseen jää jälki ja leikkauksen tarkkuus huononee.

⚠VAROITUS:

- **Varmista ennen virran kytkemistä, että terä ei kosketa työkappaletta tms.** Jos työkaluun kytketään virta terän koskettaessa työkappaletta, seurauksena voi olla takapotku ja vakava henkilövahinko.

1. Puristinleikkaus (pienien työkappaleiden leikkaus)



1. Lukitusruuvi

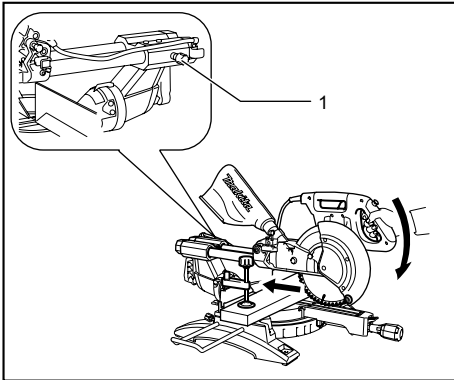
011409

Enintään 91 mm korkeita ja 70 mm leveitä työkappaleita voidaan sahata seuraavalla tavalla. Työnnä kelkka ohjaimen suuntaan ääriasentoon saakka ja tue kelkka sitten paikalleen kiristämällä lukitusruuvia myötöpäivään. Tue työkappale paikalleen oikeanlaisella ruuvipuristimella. Käynnistä työkalu siten, että terä ei koske mihinkään, ja odota, kunnes terä on saavuttanut täyden nopeuden, ennen kuin painat terää alas. Sahaa sitten työkappale painamalla kahva kevyesti kokonaan alas. Kun sahaus on suoritettu, sammuta työkalu ja ODOTA, KUNNES TERÄ ON TÄYSIN PYSÄHTYNYT, ennen kuin palautat sen takaisin yläasentoonsa.

⚠VAROITUS:

- **Kiristä nuppi tiukasti kiertämällä myötöpäivään, jotta kelkka ei pääse liikkumaan käytön aikana.** Jos nuppia ei kiristetä tarpeeksi, seurauksena saattaa olla takapotku, joka voi aiheuttaa vakavan henkilövahingon.

2. Liuku (työntö) leikkaus (leveiden työkappaleiden leikkaus)



1. Lukitusruuvi

011410

Löysää lukitusruuvia vastapäivään siten, että kelkka pääsee liukumaan vapaasti. Tue työkappale paikalleen oikeanlaisella ruuvipuristimella. Vedä kelkka kokonaan itseesi päin. Käynnistä työkalu ilman, että terä osuu mihinkään, ja odota, että terä on saavuttanut täyden nopeuden. Paina kahva alas ja TYÖNNÄ KELKKAA KOHTI OHJAINTA TYÖKAPPALEEN LÄPI. Kun sahaus on suoritettu, sammuta työkalu ja ODOTA, KUNNES TERÄ ON TÄYSIN PYSÄHTYNYT, ennen kuin palautat sen takaisin yläasentoonsa.

VAROITUS:

- **Vedä työntösahausta tehdessäsi kelkka aina ensin kokonaan itseesi päin ja paina kahva kokonaan alas. Työnnä kelkka sitten kohti ohjainta. ÄLÄ KOSKAAN ALOITA SAHAUSTA, ELLEI KELKKA OLE KOKONAAN VEDETTYÄ ITSEESI PÄIN.** Jos työntösahaat ilman, että kelkka on vedetty kokonaan itseesi päin, seurauksena voi olla odottamaton takapotku, mikä voi aiheuttaa vakavan henkilövahingon.
- **Älä koskaan työntösahaava vetämällä kelkkaa itseesi päin.** Jos vedät kelkkaa sahattaessa itseesi päin, seurauksena voi olla odottamaton takapotku, mikä voi aiheuttaa vakavan henkilövahingon.
- Älä koskaan työntösahaava, kun kahva on lukittu ala-asentoon.
- **Älä koskaan löysää lukitusruuvia terän pyöriessä.** Jos kelkka on sahattaessa löysällä, seurauksena voi olla odottamaton takapotku, mikä voi aiheuttaa vakavan henkilövahingon.

3. Viistoleikkaus

Ks. aikaisemmin selostettua " Viistokulman asetus" osaa.

4. Viisteitsleikkuu

Kuva37

Löysää vipua ja kallista sahanterää asettaaksesi viisteitskulma (Ks. aikaisemmin selostettua "Viisteitskulman asetus" osaa.) Kiristä lujasti vipu uudestaan varmistaaksesi valittu viisteitskulma turvallisesti. Varmista työkappale ruuvipuristimessa. Varmista, että kuljetin on vedetty täysin takaisin käyttäjään päin. Kytke laite päälle ilman terän kosketusta ja odota, kunnes terä saavuttaa täyden nopeuden. Alenna sitten kahvaa täysin alennettuun asentoonsa samalla painetta soveltaen terän kanssa rinnakkain ja TYÖNNÄ KULJETINTA OHJAINAITAA KOHTI TYÖKAPPALEEN LEIKKAAMISEEN. Kun leikkaus on valmis, kytke laite pois päältä ja ODOTA, KUNNES TERÄ ON TÄYSIN PYSÄHTYNYT ennenkuin nostat terän sen täysin kohotettuun asentoonsa.

VAROITUS:

- **Kun olet asettanut terän viistesahausta varten, varmista ennen työkalun käyttämistä, että kelkka ja terä liikkuvat vapaasti koko sahauspituudella.** Jos kelkan tai terän liike pysähtyy sahaamisen aikana, seurauksena voi olla takapotku ja vakava henkilövahinko.
- **Pidä kätesi poissa terän tieltä viistesahauksen aikana.** Terän kulma voi aiheuttaa virhearvioinnin terän liikeradan suhteen, mistä seuraa vakava henkilövahinko.
- **Terän saa nostaa vasta, kun se on täysin pysähtynyt.** Irti sahattu kappale saattaa painua terää vasten viistesahauksen aikana. Jos terää nostetaan sen pyöriessä, sahattu kappale saattaa sinkoutua irti terästä ja aiheuttaa vakavan henkilövahingon.

HUOMAUTUS:

- Paina kahvaa alaspäin terän suuntaisesti. Sahausjälki huononee, jos terää painetaan kääntöjalustaan nähden kohtisuoraan tai jos painamissuuntaa muutetaan sahausajan aikana.
- Ennen viistesahausta on ehkä säädettävä liukuohjainta. Katso lisätietoja kohdasta "Sahausvasteen säätäminen".

VAROITUS:

- Irrota lisäohjain siten, että se ei kosketa kelkan mitään osaa oikeanpuoleisen viistesahauksen aikana.

5. Yhdistetty leikkaus

Yhdistetyssä sahausessa työkappaleeseen tehdään samanaikaisesti viiste- ja jirisahausta. Yhdistetty sahaus voidaan tehdä oheisen taulukon osoittamissa kulmissa.

Jiirikulma	Viisteityskulma
Vasen ja Oikea 0° - 45°	Vasen ja Oikea 0° - 45°

009713

Kun teet yhdistetyn leikkauksen, se koskee "Puristinleikkaus", "Liukuleikkaus", "Viistoleikkaus" ja "Viisteityisleikkaus" osien selityksiä.

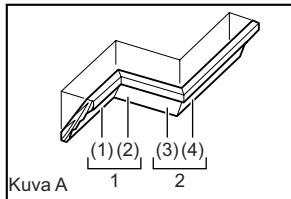
6. Kruunumallisten ja koverojen reunalistojen sahaus

Kruunumalliset ja koverat reunalistat voidaan sahata yhdistelmäjiirisahalla asettamalla listat vaakatasoon kääntölevylle.

Kruunumallisten reunalistojen yleisesti käytettyjä tyyppisiä on kaksi ja koverojen reunalistojen tyyppisiä yksi: 52/38° seinäkulman kruununlista, 45° seinäkulman kruununlista ja 45° seinäkulman kovero lista. Ks. oheiset kuvat.

Kuva38

Kruunumalliset ja koverat liitokset voidaan tehdä 90° sisäkulmaan (kohdat (1) ja (2) kuvassa A) sopiviksi tai 90° ulkokulmaan (kohdat (3) ja (4) kuvassa A) sopiviksi.



Kuva A

001556

1. Sisänurkka
2. Ulkonurkka

Kuva39

Mittaus

Mittaa seinän pituus ja säädä työkappale pöydällä siten, että voit leikata seinää koskettavan reunan haluttuun mittaan. Varmista aina, että sahattavan työkappaleen pituus on **työkappaleen takaa mitattuna** sama kuin seinän pituus. Säädä sahauspituus sahattavan kulman mukaiseksi. Käytä aina useita testikappaleita sahauskulmien tarkistamiseen.

Aseta kruunumallisia ja koveria reunalistoja sahattaessa viistekulma ja jiirisahauskulma taulukon (A) mukaisesti ja aseta listat sahausalustalle taulukon (B) mukaisesti.

Kun kyseessä on vasemmanpuoleinen viistesahaus

	Reunalistan paikka kuvassa A	Viisteityskulma		Jiirikulma	
		52/38° kulma	45° kulma	52/38° kulma	45° kulma
Sisänurkkaa varten	(1)	Vasen 33,9°	Vasen 30°	Oikea 31,6°	Oikea 35,3°
	(2)				
Ulkonurkkaa varten	(3)			Vasen 31,6°	Vasen 35,3°
	(4)			Oikea 31,6°	Oikea 35,3°

006361

Taulukko (B)

	Reunalistan paikka kuvassa A	Reunalistan reuna ohjainta vasten	Valmis kappale
Sisänurkkaa varten	(1)	Sisäkattoa koskettavan reunan tulee olla ohjainta vasten.	Valmis kappale on terän vasemmalla puolella.
	(2)	Seinää koskettavan reunan tulee olla ohjainta vasten.	
Ulkonurkkaa varten	(3)	Sisäkattoa koskettavan reunan tulee olla ohjainta vasten.	Valmis kappale on terän oikealla puolella.
	(4)	Seinää koskettavan reunan tulee olla ohjainta vasten.	

006362

Esimerkki:

Kun kyseessä on 52/38° kruunumallisen reunalistan sahaus kuvan A kohtaan (1):

- Kallista ja lukitse viistekulma-asetukseksi 33,9° VASEN.
- Säädä ja lukitse jiirisahauskulma-asetukseksi 31,6° OIKEA.
- Aseta kruununlista leveä selkäpuoli (piilossa) alaspäin kääntölevylle siten, että SISÄKATTOA KOSKETTAVA REUNA tulee sahan ohjainta vasten.
- Valmis kappale tulee sahausken jälkeen aina terän VASEMMALLE puolelle.

Kun kyseessä on oikeanpuoleinen viistesahaus

Taulukko (A)

	Reunalistan paikka kuvassa A	Viisteityskulma		Jiirikulma	
		52/38° kulma	45° kulma	52/38° kulma	45° kulma
Sisänurkkaa varten	(1)	Oikea 33,9°	Oikea 30°	Oikea 31,6°	Oikea 35,3°
	(2)				
Ulkonurkkaa varten	(3)			Vasen 31,6°	Vasen 35,3°
	(4)			Oikea 31,6°	Oikea 35,3°

006363

Taulukko (B)

	Reunalistan paikka kuvassa A	Reunalistan reuna ohjainta vasten	Valmis kappale
Sisänurkkaa varten	(1)	Seinää koskettavan reunan tulee olla ohjainta vasten.	Valmis kappale on terän oikealla puolella.
	(2)	Sisäkattoa koskettavan reunan tulee olla ohjainta vasten.	
Ulkonurkkaa varten	(3)	Sisäkattoa koskettavan reunan tulee olla ohjainta vasten.	Valmis kappale on terän vasemmalla puolella.
	(4)	Seinää koskettavan reunan tulee olla ohjainta vasten.	

006364

Esimerkki:

Kun kyseessä on 52/38° kruunumallisen reunalistan sahaus kuvan A kohtaan (1):

- Kallista ja lukitse viistekulma-asetukseksi 33,9° OIKEA.
- Säädä ja lukitse jiirisahauskulma-asetukseksi 31,6° OIKEA.

- Aseta kruunulista leveä selkäpuoli (piilossa) alapäin kääntölevylle siten, että SEINÄÄ KOSKETTAVA REUNA tulee sahan ohjainta vasten.
- Valmis kappale tulee sahausken jälkeen aina terän OIKEALLE puolelle.

7. Alumiiniektruusion leikkaus

Kuva40

Kuva41

Kun varmistat alumiiniektruusioita, käytä välikappaleloikkoja tai jättepaloja kuvan osoittamalla tavalla alumiinin epämuodostumisen ehkäisemiseksi. Käytä leikkausvoiteluainetta, kun leikkaat alumiiniektruusiota alumiinimateriaalin terälle kerääntymisen ehkäisemiseksi.

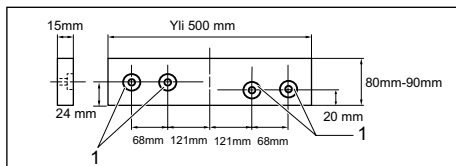
⚠VAROITUS:

- **Älä koskaan sahaa paksua tai pyöreää alumiinitankoa.** Paksua tai pyöreää alumiinitankoa voi olla vaikea kiinnittää tukevasti, ja se saattaa irrota kesken sahausken, mikä voi aiheuttaa vakavan henkilövahingon.

8. Puun päällyste

Puunpäällysteen käyttö auttaa varmistamaan työkappaleiden sirpale-vapaan leikkuun. Kiinnitä puunpäällyste ohjausaitaan ohjausaidassa olevia reikiä käyttäen.

Katso kuvaa suositeltua puunpäällysteen mittasuhdetta koskien.



1. Aukot

010563

⚠HUOMAUTUS:

- Käytä suoraa, tasapaksua puuta puunpäällysteenä.

⚠VAROITUS:

- **Kiinnitä puukehys ruuveilla ohjaimen. Ruuvit tulee kiinnittää siten, että ruuvien kannat jäävät puukehyyksen pinnan sisään, jotta ne eivät häiritse sahattavan materiaalin paikalleenasettelua.** Jos sahattava materiaali ei ole suorassa, se voi liikahtaa odottamattomasti sahaamisen aikana, mistä voi seurata hallinnan menettäminen ja vakava henkilövahinko.

HUOMAUTUS:

- Kun puunpäällyste on kiinnitetty, älä käännä kierros pohjaa alennetulla kahvalla. Terä ja/tai puunpäällyste vahingoittuvat.

9. Uran leikkaus

Kuva42

Dado-tyyppinen leikkaus voidaan tehdä seuraavalla tavalla:

Säädä terän alempi raja-asema säätöruuvia käyttäen ja käytä pysäytinvartta terän leikkaussyvyyden rajoittamiseksi. Katso aikaisemmin kuvattua "Pysäytinvarsi" osaa.

Kun terän alarajoitinkohta on säädetty, sahaa samansuuntaisia uria työkappaleen poikki työntösahaamalla kuvan osoittamalla tavalla. Poista sitten urien välissä oleva materiaali taltalla.

⚠VAROITUS:

- **Älä tee tällaista sahausta leveällä terällä tai uransahausterällä.** Urasahausten tekeminen leveällä terällä tai uransahausterällä saattaa huonontaa sahausjälkeä ja aiheuttaa takapotkun, josta voi seurata vakava henkilövahinko.
- **Muista palauttaa rajoitinvarsi alkuperäiseen asentoonsa tehdessäsi muita töitä kuin urasahausta.** Sahaamisen aloittaminen rajoitinvarren ollessa väärässä asennossa voi huonontaa sahausjälkeä ja aiheuttaa takapotkun, joka voi seurata vakava henkilövahinko.

⚠HUOMAUTUS:

- Palauta varmasti pysäytinvarsi alkuperäiseen asentoonsa, kun teet muuta, kuin uran leikkaamisen.

Työkalan kuljetus

Kuva43

Varmista, että kone on irrotettu pistorasiasta. Kiinnitä terä 0° viistekulmaan ja kääntöjalusta kokonaan oikeanpuoleiseen jirisauskuulmaan. Kiinnitä liukuvarret siten, että alempi liukuvarsi lukkiutuu asemaan, jossa kelkka on vedetty ääriasentoon saakka käyttäjään päin, ja ylemmät varret asemaan, jossa kelkka on työnnetty ääriasentoon saakka ohjainta kohti (katso lisätietoja kohdasta "Liukulukituksen säätö"). Laske kahva kokonaan alas ja lukitse se ala-asentoon työntämällä rajoitintappi sisään.

Kuljeta virtajohto johdon tukien avulla.

⚠VAROITUS:

- **Rajoitintappi on tarkoitettu ainoastaan kantamista ja säilytystä varten. Niitä ei saa käyttää sahattaessa.** Rajoitintappin käyttäminen sahattaessa saattaa liikuttaa sahanterää odottamattomalla tavalla, mikä voi aiheuttaa takapotkun ja vakavan henkilövahingon.

Kuljeta työkalua siten, että pidät työkalun pohjan molempaa puolta kuvan osoittamalla tavalla. Jos poistat kannattimet, pölypussin, jne., voit kuljettaa työkalua helpommin.

⚠HUOMAUTUS:

- Kiinnitä kaikki liikkuvat osat aina ennen työkalun kuljetusta. Jos työkalun osat pääsevät liikkumaan siirtämisen aikana, seurauksena saattaa olla loukkaantuminen horjattamisen ja tasapainon menettämisen seurauksena.

HUOLTO

⚠VAROITUS:

- **Varmista aina ennen tarkastuksia ja kunnossapitoa, että laite on sammutettu ja irrotettu virtalähteestä.** Jos laitetta ei sammuteta ja irroteta virtalähteestä, se voi käynnistyä vahingossa ja aiheuttaa vakavan henkilövahingon.
- **Varmista aina, että terä on terävä ja puhdas, jotta työkalu toimii moitteettomasti ja turvallisesti.** Sahaaminen tylsällä ja/tai liikaisella terällä saattaa aiheuttaa takapotkun ja vakavan henkilövahingon.

HUOMAUTUS:

- Älä koskaan käytä bensiiniä, ohentimia, alkoholia tai tms. aineita. Muutoin pinta voi halkeilla tai sen värit ja muoto voivat muuttua.

Leikkaukskulman asetus

Työkalu on huolellisesti asennettu ja kohdistettu tehtaassa, mutta kova käsittely on saattanut vaikuttaa kohdistukseen. Jos työkaluasi ei ole asianmukaisesti kohdistettu, tee seuraavat toimenpiteet:

1. Viistokulma

Kuva44

Työnnä kelkka ohjaimen suuntaan ja tue kelkka sitten paikalleen kiristämällä lukitusruuvia. Löysää kääntöjalustan lukitseva kahva. Käännä kääntöjalustaa siten, että osoitin osoittaa 0° jiirisahaussasteikolla. Käännä sitten kääntöjalustaa hieman myötäpäivään ja vastapäivään sovittaaksesi kääntöjalustan 0° jiirin loveen. (Jätä se paikalleen, jos osoitin ei osoita 0°.) Löysennä ohjaimen kiinnittävät kuusiomutterit hylsyavaimella.

Kuva45

Laske kahva kokonaan alas ja lukitse se ala-asentoon työntämällä rajoitintappi sisään. Tasaa terän syrjä ohjaimen tason kanssa kolmikulmalla, vastekulmakolla tms. Kiristä sitten ohjaimen kuusiomutterit oikealta alkaen.

Kuva46

Varmista, että osoitin osoittaa viistoasteikossa 0°. Jos osoitin ei osoita 0°, löysennä ruuvi, joka varmistaa osoittimen ja säädä osoitin siten, että se osoittaa 0°.

2. Viisteityskulma

(1) 0° viisteityskulma

Kuva47

Työnnä kelkka ohjaimen suuntaan ja tue kelkka sitten paikalleen kiristämällä lukitusruuvia. Laske kahva kokonaan alas ja lukitse se ala-asentoon työntämällä rajoitintappi sisään. Löysää työkalun takana oleva vipu.

Kuva48

Kallista terää oikealle kiertämällä varren oikealla puolella olevaa kuusiomutteria kaksi tai kolme kierrosta vastapäivään.

Kuva49

Tasaa terän reuna huolellisesti kääntöjalustan yläpinnan kanssa kolmikulmalla, vastekulmakolla tms. kääntämällä varren oikealla puolella olevaa kuusiomutteria myötäpäivään. Kiristä vipu sitten tukevasti paikalleen.

Kuva50

Varmista, että varressa oleva osoitin osoittaa 0° varren pitimen viisteasteikolla. Jos ne eivät osoita 0°, löysää osoittimia paikallaan pitävää ruuvia ja säädä osoitin siten, että se osoittaa 0°.

(2) 45° viisteityskulma

Kuva51

Säädä 45° viistekulma vasta tehtyäsi 0° viistekulmasäädön. Kun haluat säätää vasemmanpuoleisen 45° viistekulman, löysennä vipua ja käännä terä kokonaan vasemmalle. Varmista, että varressa oleva osoitin osoittaa 45° varren pitimen viisteasteikolla. Jos osoitin ei osoita 45°, kierrä varren pitimen oikealla puolella olevaa 45° viistekulman säätömutteria, kunnes osoitin osoittaa 45°. Säädä oikeanpuoleinen 45° viistekulma toistamalla yllä kuvattu toimenpide.

Kuva52

Irrota ja tarkasta hiiliharjat säännöllisesti. Vaihda, kun ne ovat kuluneet 3 mm:n pituuteen asti. Pidä hiiliharjat puhtaina ja varmista, että ne pääsevät liukumaan vapaasti pidikkeissään. Molemmat hiiliharjat on vaihdettava yhtä aikaa. Käytä vain identtisiä hiiliharjoja.

Kuva53

Irrota harjanpidikkeiden kuvut ruuvitaltalla. Irrota kuluneet hiiliharjat, asenna uudet, ja kiinnitä pidikkeiden kuvut.

Käytön jälkeen

- Käytön jälkeen pyyhi työkaluun liimautuneet lastut ja pöly pois kankaalla tai vastaavalla. Pidä teränsuojus puhtaana aikaisemmin käsitellyssä "Teränsuojus" osassa mainittujen ohjeiden mukaan. Voitele liukuosat koneöljyllä ruostumisen ehkäisemiseksi.

- Kun viet työkalun varastoon, vedä kelkka kokonaan itseesi päin.

Tuotteen TURVALLISUUDEN ja LUOTETTAVUUDEN takaamiseksi korjaukset, muut huoltotyöt ja säädöt on teetettävä Makitan valtuutetussa huoltopisteessä Makitan varaosia käyttäen.

LISÄVARUSTEET

⚠VAROITUS:

- **Nämä Makita-lisävarusteet tai -laitteet on tarkoitettu käytettäväksi tässä ohjekirjassa mainitun Makita-työkalun kanssa.** Muiden lisävarusteiden tai laitteiden käyttäminen voi aiheuttaa vakavan henkilövahingon.
- **Käytä Makita-lisävarustetta tai -laitetta vain sen ilmoitettuun käyttötarkoitukseen.** Lisävarusteen tai laitteen vääränlainen käyttö voi aiheuttaa vakavan henkilövahingon.

Jos tarvitset lisätietoja näistä lisävarusteista, ota yhteys paikalliseen Makita-huoltopisteeseen.

- Teräs & Karbidi-kärkiset sahanterät

Jiirisahanterät	Erialaisten kappaleiden pehmeään ja tarkkaan sahaukseen.
Yhdistelmä	Yleiskäyttöinen terä nopeaa ja tasaista halkaisua, katkaisua ja viistosahausta varten.
Poikittaissahaus	Pehmeämpään poikkisyyn suuntaiseen sahaukseen. Siisti poikkisyinen katkaisujälki.
Hieno läpileikkaus	Puhtaalle, puruttomalle leikkaukselle rosoisuutta vastaan.
Jiirisahanterät muiden kuin rautametallien sahaamiseen	Alumiinin, kuparin, messingin, putkien ja muiden kuin rautametallien jiirisahaukseen.

006526

- Vara-aita R
- Ruuvipuristinyhdistelmä (Vaakasuora ruuvipuristin)
- Pystysuora ruuvipuristin
- Hylsyavain, jonka toisessa päässä on kuusioavain
- Kannatin
- Pölypussi
- Mutkapala
- Kolmikulma

HUOMAUTUS:

- Jotkin luettelossa mainitut varusteet voivat sisältyä työkalun toimitukseen vakiovarusteina. Ne voivat vaihdella maittain.

LATVIEŠU (oriģinālās instrukcijas)

Kopskata skaidrojums

- 1-1. Aiztura tapa
2-1. Bultskrūves
3-1. Asmens aizsargs
4-1. Asmens aizsargs
5-1. Skrūve
5-2. Iezāģēšanas plātne
6-1. Zāģa asmens
6-2. Asmens zobi
6-3. Iezāģēšanas plātne
6-4. Zāģēšana slīpā leņķī uz kreiso pusi
6-5. Taisna zāģēšana
6-6. Zāģēšana slīpā leņķī uz labo pusi
7-1. Regulēšanas bultskrūve
7-2. Pagriežamā pamatne
8-1. Pagriežamās pamatnes augšējā virsma
8-2. Asmens perifērija
8-3. Vadotnes ierobežotājs
9-1. Aiztura kļokis
9-2. Regulēšanas skrūve
10-1. Zāģēšanas leņķa skala
10-2. Rādītājs
10-3. Bloķēšanas svira
10-4. Rokturis
11-1. Svira
12-1. Svira
12-2. Kļokis
12-3. Rādītājs
12-4. Slīpleņķa skala
13-1. Svira
14-1. Rādītājs
14-2. Atlaišanas poga
14-3. Slīpleņķa skala
15-1. Atdures skrūve
16-1. Atbloķēšanas poga
16-2. Slēdža mēlīte
16-3. Svira
16-4. Atvērums piekaramai slēdzenei
17-1. Atbloķēšanas poga
17-2. Slēdža mēlīte
17-3. Atvērums piekaramai slēdzenei
18-1. Lāzera slēdzis
20-1. Sausais elements
21-1. Gala uzgriežņu atslēga ar seššķautņu uzgriežņatslēgu otrā galā
21-2. Uzgriežņu atslēgas tureklis
22-1. Aiztura tapa
23-1. Gala uzgriežņu atslēga
23-2. Asmens korpus
23-3. Centrālais aizsargs
23-4. Seššķautņu bultskrūve
23-5. Asmens aizsargs
24-1. Asmens korpus
24-2. Gala uzgriežņu atslēga
24-3. Seššķautņu bultskrūve
24-4. Bultiņa
24-5. Vārpstas bloķētājs
25-1. Asmens korpus
25-2. Bultiņa
25-3. Bultiņa
25-4. Zāģa asmens
26-1. Seššķautņu skrūve (ar kreiso vītņi)
26-2. Ārējais atloks
26-3. Zāģa asmens
26-4. Gredzens
26-5. Iekšējais atloks
26-6. Vārpsta
27-1. Gala uzgriežņu atslēga
27-2. Asmens korpus
27-3. Centrālais aizsargs
27-4. Seššķautņu bultskrūve
27-5. Asmens aizsargs
28-1. Putekļsūcēja uzgalis
28-2. Putekļu maiss
28-3. Stiprinājums
29-1. Atbalsts
29-2. Pagriežamā pamatne
30-1. Slīdošas ierobežotājs
30-2. Spīlējuma skrūve
31-1. Slīdošas ierobežotājs
32-1. Apakšējais ierobežotājs R (labajā pusē)
32-2. Skrūves
33-1. Skrūvspīļu kļokis
33-2. Skrūvspīļu rokturis
33-3. Skrūvspīļu stienis
33-4. Skrūve
33-5. Vadotnes ierobežotājs
34-1. Skrūvspīļu plāksne
34-2. Skrūvspīļu uzgrieznis
34-3. Skrūvspīļu rokturis
36-1. Tureklis
38-1. 52/38° leņķa jostīņa virs dzegas
38-2. 45° leņķa jostīņa virs dzegas
38-3. 45° leņķa stūrīste
39-1. Iekšējais stūris
39-2. Ārējais stūris
40-1. Vadotnes ierobežotājs
40-2. Skrūvspīles
40-3. Starplikas bloks
40-4. Alumīnija profils
40-5. Starplikas bloks
41-1. Alumīnija profils
41-2. Vadotnes ierobežotājs
41-3. Starplikas bloks
41-4. Horizontālās skrūvspīles (papildpiederums)
42-1. Ar asmeni iezāģētas rievas
44-1. Seššķautņu bultskrūve
44-2. Vadotnes ierobežotājs
44-3. Rokturis
45-1. Vadotnes ierobežotājs
45-2. Leņķmērs
46-1. Skrūve
46-2. Rādītājs
46-3. Zāģēšanas leņķa skala
47-1. Svira
47-2. Kļokis
48-1. 0° leņķa regulēšanas bultskrūve
48-2. 45° slīpā leņķa uz kreiso pusi regulēšanas bultskrūve
49-1. Leņķmērs
49-2. Zāģa asmens
49-3. Pagriežamā galda augšējā virsma
50-1. Skrūve
50-2. Rādītājs
50-3. Slīpleņķa skala
51-1. 45° slīpā leņķa uz labo pusi regulēšanas bultskrūve
51-2. 45° slīpā leņķa uz kreiso pusi regulēšanas bultskrūve
53-1. Skrūvgriezis
53-2. Sukas turekļa vāks

SPECIFIKĀCIJAS

Modelis	LS1018 / LS1018L
Asmens diametrs	255 mm - 260 mm
Asmens korpusa biezums	1,6 mm - 2,4 mm
Cauruma diametrs	
Visām citām valstīm, izņemot Eiropas valstis	25,4 mm
Eiropas valstīm	30 mm
Maks. zāģēšanas ietilpība (A x P) ar asmeni 260 mm diametrā	

Zāģēšanas leņķis	Slīpais leņķis		
	45° (pa kreisi)	0°	45° (pa labi)
0°	50 mm x 310 mm	91 mm x 310 mm	31 mm x 310 mm
45°	50 mm x 220 mm	91 mm x 220 mm	31 mm x 220 mm
60° (pa labi)	-	91 mm x 153 mm	-

Tukšgaitas ātrums (min ⁻¹)	4 300
Lāzera veids (tikai modelim LS1018FL)	Sarkanais lāzers 650 nm, < 1 mW (Lāzera klase 2)
Gabarīti (G x P x A)	825 mm x 536 mm x 633 mm
Neto svars	Visām citām valstīm, izņemot Eiropas valstis.....19,8 kg Eiropas valstīm.....19,9 kg
Drošības klase	▣/II

- Dēļ mūsu nepārtrauktās pētniecības un izstrādes programmas, šeit dotās specifikācijas var mainīties bez brīdinājuma.
- Atkarība no valsts specifikācijas var atšķirties.
- Svārs atbilstoši EPTA-Procedure 01/2003

END222-4



Simboli

Zemāk ir attēloti simboli, kas attiecas uz iekārtu. Pirms darbarīka izmantošanas pārlicinieties, vai pareizi izprotat to nozīmi.



- Izlasiet rokasgrāmatu.



- DUBULTA IZOLĀCIJA



- Lai izvairītos no atlecošiem gruziem, turpiniet turēt zāģa augšdaļu uz leju līdz asmenis ir pilnībā apstājies.



- Veicot slīdes zāģēšanu, vispirms pavelciet rāmi līdz galam un nospiediet rokturi, pēc tam pastumiet rāmi virzošās barjeras virzienā.



- Neturiet roku vai pirkstus asmens tuvumā.



- Pareizi noregulējiet slīdošos ierobežotājus, lai tie nepieskartos asmenim un asmens aizsargam.



- Veicot noslīpināšanu labajā pusē, vienmēr ņemiet labās puses APAKŠBARJERU. To nedarot, iespējams izraisīt smagu operatora ievainojumu.



- LĀZERA RADIĀCIJA: neskatieties uz lāzera staru. Tiešs lāzera stars var radīt acu bojājumus.

- Tikai ES valstīm
Neizmest elektrisko aprīkojumu sadzīves atkritumos!
Saskaņā ar Eiropas direktīvu par lietotajām elektroiekārtām un elektronikas iekārtām un tās iekļaušanu valsts likumdošanā lietotais elektriskais aprīkojums jāsavāc atsevišķi un jānogādā atsevišķā veidā.

ENE006-1

Paredzētā lietošana

Šis darbarīks ir paredzēts precīziem taisniem un slīpiem iegriezumiem kokā. Ar piemērotiem zāģa asmeņiem iespējams zāģēt arī alumīniju.

ENF002-2

Strāvas padeve

Darbarīks jāpievieno tikai tādai strāvas padevei, kuras spriegums ir tāds pats, kā norādīts uz plāksnītes ar nosaukumu, un to var ekspluatēt tikai ar vienfāzes maiņstrāvas padevi. Darbarīks aprīkots ar divkāršo izolāciju, tādēļ to var izmantot arī, pievienojot kontaktligzdai bez iezemējuma vada.

ENG905-1

Troksnis

Tipiskais A-svērtais trokšņa līmenis ir noteikts saskaņā ar EN61029:

- Skaņas spiediena līmenis (L_{pA}): 97 dB (A)
- Skaņas jaudas līmenis (L_{WA}): 103 dB (A)
- Neskaidrība (K) : 3 dB (A)

Lietojiet ausu aizsargus

Vibrācija

Vibrācijas kopējā vērtība (trīs asu vektora summa) noteikta saskaņā ar EN61029:

Vibrācijas emisija (a_h): 2,5 m/s² vai mazāk
Neskaidrība (K): 1,5 m/s²

ENG901-1

- Paziņotā vibrācijas emisijas vērtība noteikta atbilstoši standarta pārbaudes metodei un to var izmantot, lai salīdzinātu vienu darbarīku ar citu.
- Paziņoto vibrācijas emisijas vērtību arī var izmantot iedarbības sākotnējā novērtējumā.

▲BRĪDINĀJUMS:

- Reāli lietojot mehanizēto darbarīku, vibrācijas emisija var atšķirties no paziņotās emisijas vērtības atkarībā no darbarīka izmantošanas veida.
- Lai aizsargātu lietotāju, nosakiet drošības pasākumus, kas pamatoti ar iedarbību reālos darba apstākļos (ņemot vērā visus ekspluatācijas cikla posmus, piemēram, laiku, kamēr darbarīks ir izslēgts un kad darbojas tukšgaitā, kā arī palaišanas laiku).

ENH003-15

Tikai Eiropas valstīm**EK Atbilstības deklarācija****Makita paziņo, ka šāds instruments(-i):**

Darbarīka nosaukums:

Slīdrāmja kombinētais leņķzāģis

Modeļa Nr./ tips: LS1018, LS1018L

Atbilst sekojošām Eiropas Direktīvām:

2006/42/EC

Ražots saskaņā ar šādu standartu vai normatīvajiem dokumentiem:

EN61029

Tehniskā lieta atbilstīgi 2006/42/EK ir pieejama:

Makita, Jan-Baptist Vinkstraat 2, 3070, Beļģija

30.5.2014



000331

Yasushi Fukaya

Direktors

Makita, Jan-Baptist Vinkstraat 2, 3070, Beļģija

GEA010-1

Vispārējie mehanizēto darbarīku drošības brīdinājumi

▲ **BRĪDINĀJUMS** Izlasiet visus drošības brīdinājumus un visus norādījumus. Brīdinājumu un norādījumu neievērošanas gadījumā var rasties elektriskās strāvas trieciens, ugunsgrēks un/vai nopietnas traumas.

Glabājiet visus brīdinājumus un norādījumus, lai varētu tajos ieskatīties turpmāk.

ENB034-9

**DROŠĪBAS BRĪDINĀJUMI
LEŅĶZĀGA LIETOŠANAI**

1. Netuviniet rokas zāga asmens trajektorijai. Neskarieties pie asmens, kas kustas pēc inerces. Tas vēl joprojām var izraisīt smagu ievainojumu.
2. Pirms darba veikšanas uzmanīgi pārbaudiet, vai zāga asmenim nav plaisu vai deformāciju. Nekavējoties nomainiet asmeņus.
3. Ja iezāģējuma plate ir nolietojusies, to nomainiet.
4. Lietojiet tikai tādus zāga asmeņus, ko ir ieteicis ražotājs un kas atbilst EN847 1.
5. Neizmantojiet asmeņus, kas ražoti no ātrgriezīga tērauda.
6. Lietojiet acu aizsargus.
7. Lai mazinātu dzirdes zuduma risku, lietojiet dzirdes aizsarglīdzekļus.
8. Darbam ar zāga asmeni (kad iespējams, zāga asmeņi jānes turētājā) un nelīdzenu materiālu izmantojiet cimdus.
9. Zāģējot ar leņķzāģi, pievienojiet putekļu savācēju.
10. Zāga asmeni izvēlieties atkarībā no zāģējamā materiāla.
11. Neizmantojiet zāģi, lai grieztu citus materiālus, kas nav līdzīgi kokam vai alumīnijam.
12. Pirms darbarīka nešanas vienmēr nostipriniet visas kustīgās daļas. Ceļot vai nesot darbarīku, neizmantojiet aizsargu kā pārnēsāšanas rokturi.
13. Nelietojiet zāģi, ja aizsargi nav savā vietā. Pirms katras lietošanas reizes pārbaudiet, vai asmens aizsargs aizveras pareizi. Nelietojiet zāģi, ja asmens aizsargs nevirzās brīvi un nekavējoties neaizveras. Nekad nepiestipriniet un nepiesieniet asmens aizsargu atvērtā stāvoklī.
14. No zemes novāciet birstošus materiālus, piemēram, skaidas un atgriezumus.
15. Izmantojiet tikai tādus zāga asmeņus, kas ir marķēti ar maksimālo ātrumu, kas ir tāds pats vai lielāks kā uz darbarīka norādītais ātrums bez slodzes.
16. Ja darbarīkam ir lāzers vai gaismas diode, nenomainiet ar cita veida lāzeru vai gaismas diodi. Vērsieties pilnvarotā apkopes centrā, lai veiktu remontu.
17. Nekad neaizvāciet atgriezumus vai citu apstrādājamā materiāla daļu no zāģēšanas zonas, kamēr darbarīks darbojas ar neaizsargātu zāga asmeni.

18. **Nekad neveiciet nevienu darbu, turot apstrādājamo materiālu rokā.** Apstrādājamais materiāls vienmēr visu darbu laikā ar skrūvspīlēm cieši jāpiestiprina pie pagriežamā pamata un virzošās barjeras. Nekad neturiet apstrādājamo materiālu ar roku.
19. **Pirms katras zāģēšanas reizes pārbaudiet, vai darbarīks ir stabils.**
20. **Ja nepieciešams, piestipriniet darbarīku pie darbgalda.**
21. **Atbalstiet garu apstrādājamo materiālu ar atbilstošiem papildu atbalstiem.**
22. **Nekad nezāģējiet tik mazu apstrādājamo materiālu, ka to nevar cieši nostiprināt skrūvspīlēs.** Nepareizi nostiprināts apstrādājamais materiāls var izraisīt atsitieni un nopietnus ievainojumus.
23. **Nekad nesniedzieties pāri zāģa asmenim.**
24. **Pirms pārvietot apstrādājamo materiālu vai mainīt iestatījumus izslēdziet darbarīku un pagaidiet, kamēr asmens apstājas.**
25. **Pirms asmens nomainās vai apkopes atvienojiet darbarīku no elektrotīkla.**
26. **Sprūdtapa, kas griezējgalvu fiksē uz leju, ir paredzēta tikai pārnēsāšanai un uzglabāšanai, nevis griešanai.**
27. **Nelietojiet darbarīku viegli uzliesmojošu šķidrums vai gāzu klātbūtnē.** Darbarīka elektropievads var izraisīt eksploziju un ugunsgrēku, ja tas saskaras ar viegli uzliesmojošiem šķidrums vai gāzēm.
28. **Izmantojiet tikai šim darbarīkam paredzētus atlokus.**
29. **Uzmanieties, lai nesabojātu asi, atlokus (it īpaši uzstādīšanas virsmu) vai skrūvi.** Šo daļu bojājums var izraisīt asmens salūšanu.
30. **Pārliecinieties, vai pagriežamais pamats ir pareizi nostiprināts un darba laikā nekustēsies.**
31. **Personīgai drošībai pirms sākt darbu no galda virsmas noņemiet šķembas, sīkus pārpalikumus u.c.**
32. **Negrieziet naglas.** Pirms sākt darbu pārbaudiet, vai apstrādājamā materiālā nav naglas, un tās izņemiet.
33. **Pirms slēdža ieslēgšanas pārliecinieties, vai vārpstas bloķētājs ir atlaists.**
34. **Pārliecinieties, vai zemākajā stāvoklī asmens nesaskaras ar pagriežamo pamatu.**
35. **Rokturi turiet cieši.** Ievērojiet, ka zāģis, uzsākot darbu un apstājoties, nedaudz pavirzās uz augšu vai uz leju.
36. **Pirms slēdža ieslēgšanas pārliecinieties, vai asmens nepieskaras apstrādājamam materiālam.**
37. **Pirms sākt darbarīku lietot ar apstrādājamo materiālu, neilgi darbiniet to bez slodzes.** Pievērsiet uzmanību vibrācijai vai svārstībām, jo tas var liecināt par nepareizu uzstādīšanu vai slikti līdzsvarotu asmeni.
38. **Pirms griešanas pagaidiet, kamēr asmens uzņem pilnu ātrumu.**
39. **Nekavējoties pārtrauciet darbu, ja ievērojat novirzes.**
40. **Nenobloķējiet mēlīti ieslēgtā stāvoklī (on).**
41. **Vienmēr esiet uzmanīgi, it īpaši vienmuļa, monotona darba laikā.** Nepaļaujieties uz maldīgu drošības sajūtu. Asmens var nodarīt smagu kaitējumu.
42. **Vienmēr izmantojiet piederumus, kas norādīti šajā rokasgrāmatā.** Nepiemērotu piederumu, piemēram, abrazīvo rīpu, izmantošana var izraisīt ievainojumu.
43. **Esiet uzmanīgi, zāģējot rievās.**
44. **Darba gaitā dažu veidu radušos putekļu sastāvā ir ķīmiskās vielas, kas var izraisīt vēzi, iedzimtas slimības vai cita veida reproduktīvu kaitējumu.** Šādas ķīmiskās vielas var būt:
 - Svins, kas atrodams krāsošanas materiālā ar svina saturu, un arsēns un hroms, kas atrodams ķīmiski apstrādātā koksnē.
 - Risks jūsu veselībai palielinās atkarībā no tā, cik bieži jūs veicat šāda veida darbu. Lai samazinātu šo ķīmisko vielu iedarbību: strādājiet labi vēdinātā darba vietā un ar apstiprinātiem drošības piederumiem, piemēram, putekļu maskām, kas ir speciāli paredzētas, lai izfiltrētu mikroskopiskas daļiņas.
45. **Lai mazinātu radušos troksni, vienmēr pārliecinieties, vai asmens ir ass un tīrs.**
46. **Operatoram jābūt atbilstoši apmācītam lietot, regulēt un strādāt ar darbarīku.**

SAGLABĀJIET ŠOS NORĀDĪJUMUS.

▲BRĪDINĀJUMS:

NEZAUDĒJIET modrību darbarīka lietošanas laikā (tas var gadīties pēc darbarīka daudzkārtējas izmantošanas), rūpīgi ievērojiet urbšanas drošības noteikumus šim izstrādājumam. **NEPAREIZAS LIETOŠANAS** vai šīs rokasgrāmatas drošības noteikumu neievērošanas gadījumā var gūt smagas traumas.

UZSTĀDĪŠANA

Galda uzstādīšana

Att.1

Darbarīku piegādājot, rokturis ar aiztura tapas palīdzību ir nobloķēts zemākā stāvoklī. Atlaidiet aiztura tapu, vienlaicīgi nedaudz nospiežot rokturi uz leju un pavelkot aiztura tapu.

Att.2

Šis darbarīks jāpieskrūvē ar četrām bultskrūvēm, izmantojot tām paredzētos caurumus darbarīka pamatnē, uz līdzenas un stabilas virsmas. Tādējādi tas neapkrītīs un jūs nesavainosities.

FUNKCIJU APRAKSTS

▲BRĪDINĀJUMS:

- Vienmēr pirms darbarīka regulēšanas vai funkciju pārbaudes pārbaudiet, vai instruments ir izslēgts un atvienots no barošanas avota. Ja darbarīku neizslēdz un neatvieno no barošanas avota, tam nejauši ieslēdzoties, var izraisīt nopietnus ievainojumus.

Asmens aizsargs

Att.3

Nolaižot zemāk rokturi, asmens aizsargs pacelsies automātiski. Asmens aizsargs atgriežas sākotnējā stāvoklī, kad zāģēšana ir pabeigta un rokturis ir pacelts.

▲BRĪDINĀJUMS:

- **Nekad neizjauciet un nenonemiet asmens aizsargu vai atspēri, kas piestiprināta aizsargam.** Nenosegts asmens pēc aizsarga noņemšanas var izraisīt nopietnus ievainojumus ekspluatācijas laikā.

Savas drošības nolūkā vienmēr rūpējieties, lai asmens aizsargs būtu labā stāvoklī. Nekavējoties jāizlabo jebkura asmens aizsarga nepareiza darbība. Pārbaudiet, vai aizsarga atspēres nospriegojuma darbība ir pareiza.

▲BRĪDINĀJUMS:

- **Nekad neizmantojiet darbarīku, ja asmens aizsargs vai atspere ir bojāta, darbojas nepareizi vai ir noņemta.** Izmantojot darbarīku ar bojātu, nepareizi darbojošos vai noņemtu atspēri, var izraisīt nopietnus ievainojumus.

Ja caurspīdīgais asmens aizsargs kļūst netīrs vai tam ir pielipušas tik daudz zāģu skaidas, ka asmens un/vai apstrādājamais materiāls ir ar grūtībām saskatāms, atvienojiet zāģi no barošanas avota un ar mitru lupatīņu rūpīgi notīriet aizsargu. Uz plastmasas aizsarga neizmantojiet šķīdinātājus vai kādus tīrītājus uz naftas produktu bāzes, jo tas var radīt aizsarga bojājumus.

Ja asmens aizsargs kļūst netīrs un, lai tas pareizi darbotos, to nepieciešams notīrīt, rīkojieties turpmāk norādītajā veidā:

Kad darbarīks ir izslēgts un atvienots no barošanas avota, izmantojiet komplektā iekļauto šarnīrzugriežņatslēgu, lai atlaistu vajīgāk seššķautņu bultskrūvi, kas nostiprina centrālo aizsargu. Atskrūvējiet seššķautņu bultskrūvi, griežot to pretēji pulksteņrādītāja virzienam, un paceliet asmens aizsargu un centrālo aizsargu.

Att.4

Kad asmens aizsargs ir šādi novietots, iespējams veikt tīrīšanu daudz labāk un efektīvāk. Kad tīrīšana ir pabeigta, rīkojieties pretēji iepriekš minētajai procedūrai un pieskrūvējiet bultskrūvi. Nenonemiet atspēri, ar ko piestiprināts asmens aizsargs. Ja aizsargs laika gaitā vai ultravioletā starojuma iedarbībā ir bojāts, iegādājieties Makita apkopes centrā jaunu aizsargu. **NEIZJAUCIET UN NENOŅEMIET AIZSARGU.**

Iezāģēšanas plātnes novietošana

Att.5

Att.6

Šī darbarīka pagriežamajā pamatnē atrodas iezāģēšanas plātnes, lai zāģējuma beigās nesabojātu materiālu. Iezāģēšanas plātnes ir noregulētas rūpnīcā tā, lai zāģa asmens nesaskartos ar tām. Pirms ekspluatācijas noregulējiet iezāģēšanas plātnes šādi: Vispirms atvienojiet darbarīku no elektrotīkla. Atskrūvējiet visas skrūves (kopā 3 - labajā un kreisajā pusē), ar ko piestiprinātas iezāģēšanas plātnes. Pieskrūvējiet tās atpakaļ tā, lai iezāģēšanas plātnes varētu viegli pārvietot ar roku. Nolaidiet rokturi uz leju līdz galam, iespiediet auztura tapu, lai to nobloķētu zemākajā stāvoklī. Atskrūvējiet skrūvi, ar ko piestiprināti sfīdbalsti. Paveiciet atbalstu virzienā pret sevi līdz galam. Noregulējiet iezāģēšanas plātnes tā, lai tās saskartos tikai ar asmens zobu malām. Pieskrūvējiet priekšējās skrūves (neskrūvējiet tās cieši). Bīdīet atbalstu vadotnes ierobežotāja virzienā līdz galam un noregulējiet iezāģēšanas plātnes tā, lai tās saskartos tikai ar asmens zobu malām. Pieskrūvējiet aizmugures skrūves (neskrūvējiet tās cieši).

Pēc iezāģēšanas plātņu noregulēšanas atlaidiet auztura tapu un paceliet rokturi. Tad cieši pieskrūvējiet visas skrūves.

PIEZĪME:

- **Pēc slīpuma leņķa iestatīšanas, pārbaudiet, vai iezāģēšanas plātnes ir pareizi noregulētas.** Iezāģēšanas plātņu pareiza noregulēšana palīdz nodrošināt pareizu apstrādājamā materiāla atbalstu, samazinot apstrādājamā materiāla norāvumu.

Maksimālās zāģēšanas jaudas saglabāšana

Šis darbarīks ir rūpnīcā noregulēts tā, lai nodrošinātu maksimālo zāģēšanas jaudu 255 mm zāģa asmenim. Pirms regulēšanas atvienojiet darbarīku no barošanas avota. Uzstādot jaunu asmeni, vienmēr pārbaudiet tā zemāko robežatzīmes stāvokli un, ja vajadzīgs, noregulējiet to šādi:

Att.7

Att.8

Vispirms atvienojiet darbarīku no elektrotīkla. Bīdīet atbalstu vadotnes ierobežotāja virzienā līdz galam un pilnībā nolaidiet rokturi uz leju. Ar seššķautņu uzgriežņu atslēgu pagrieziet regulēšanas bultskrūvi, līdz asmens perifērija nedaudz ir izvirzīta zem pagriežamās pamatnes augšējās virsmas vietā, kur vadotnes ierobežotāja priekšējā daļa saskaras ar pagriežamās pamatnes augšējo virsmu.

Kad darbarīks ir atvienots no elektrotīkla, ar roku pagrieziet asmeni līdz galam lejup, turot rokturi, lai pārliecinātos par to, vai asmens nesaskaras ar apakšējo pamatni. Ja nepieciešams, nedaudz pārregulējiet.

△BRĪDINĀJUMS:

- **Pēc jauna asmens uzstādīšanas vienmēr pārbaudiet, vai asmens nesaskaras ne ar vienu apakšējās pamatnes daļu, kad rokturis ir pilnībā nolaists.** Ja asmens saskaras ar pamatni, tas var izraisīt atsitienu un nopietnus ievainojumus.

Aiztura kloķis

Att.9

Asmens apakšējās robežas stāvoklī iespējams viegli regulēt ar aiztura kloķi. Lai to regulētu, pārvietojiet aiztura kloķi bultiņas virzienā, kā attēlots zīmējumā. Neregulējiet regulēšanas skrūvi tā, lai asmens apstātos vēlamajā stāvoklī, rokturi nolaizot uz leju līdz galam.

Zāģēšanas leņķa noregulēšana

Att.10

Atskrūvējiet rokturi, griežot to pretēji pulksteņrādītāja virzienam. Grieziet pagriežamo pamatni, turot nospiestu bloķēšanas sviru. Kad rokturis ir pārvietots tādā stāvoklī, kur rādītājs ir vērsts pret vēlamu leņķi uz leņķa skalas, pulksteņrādītāja virzienā cieši pieskrūvējiet rokturi.

△UZMANĪBU:

- Kad zāģēšanas leņķis ir nomainīts, vienmēr nostipriniet pagriežamo pamatni, cieši pievelkot rokturi.

PIEZĪME:

- Griežot pagriežamo pamatni, obligāti paceliet rokturi līdz galam.

Slīpā leņķa noregulēšana

Att.11

Lai noregulētu slīpo leņķi, pretēji pulksteņrādītāja virzienam atskrūvējiet sviru, kas atrodas darbarīka aizmušurē. Atbloķējiet kloķi, spiežot rokturi diezgan stingri tajā virzienā, kurā vēlaties sasvērt zāģa asmeni.

PIEZĪME:

- Sviru var noregulēt savādākā sviras leņķī, izskrūvējot skrūvi, kas fiksē sviru, un nostiprinot sviru vajadzīgajā leņķī.

Att.12

Sasveriet zāģa asmeni, līdz rādītājs ir vērsts pret vēlamu leņķi uz leņķa skalas. Tad pulksteņrādītāja virzienā cieši nostipriniet sviru, lai nofiksētu kloķi.

Att.13

Kad gribat noliekt atbalstu pa labi, pēc sviras atlaišanas nolieciet atbalstu nedaudz pa kreisi un nospiediet atlaišanas pogu. Turot atlaišanas pogu nospiestu, nolieciet atbalstu pa labi.

Att.14

Sasveriet zāģa asmeni, līdz rādītājs ir vērsts pret vēlamu leņķi uz leņķa skalas. Tad pulksteņrādītāja virzienā cieši nostipriniet sviru, lai nofiksētu kloķi.

- Mainot zāģēšanas leņķus, pārbaudiet, vai iezāģēšanas plātnes ir novietotas pareizi, kā paskaidrots sadaļā „Iezāģēšanas plātņu novietošana”.

△UZMANĪBU:

- Kad zāģēšanas leņķis ir nomainīts, vienmēr nostipriniet kloķi, pievelkot sviru pulksteņrādītāja virzienā.

PIEZĪME:

- Noliecot zāģa asmeni, nodrošiniet, lai rokturis ir pilnībā pacelts.
- Mainot zāģēšanas leņķus, pārbaudiet, vai iezāģēšanas plātnes ir novietotas pareizi, kā paskaidrots sadaļā „Iezāģēšanas plātņu novietošana”.

Slīdslēdža regulēšana

Att.15

Lai nobloķētu augšējo slīdbalstu, pagrieziet atdures skrūvi pulksteņrādītāja virzienā.

Slēdža darbība

Eiropas valstīm

Att.16

Lai nepieļautu slēdža mēlītes nejaušu pavilkšanu, darbarīks ir aprīkots ar atbloķēšanas pogu. Lai iedarbinātu darbarīku, nospiediet sviru uz kreiso pusi, iespiediet atbloķēšanas pogu uz iekšu un pēc tam pavelciet slēdža mēlīti. Lai apturētu darbarīku, atlaidiet slēdža mēlīti.

△BRĪDINĀJUMS:

- **Pirms darbarīka pievienošanas barošanas avotam, vienmēr pārbaudiet, vai slēdža mēlīte darbojas pareizi un pēc atlaišanas atgriežas stāvoklī „OFF” (izslēgts). Nevelciet slēdža mēlīti ar spēku, neiespiežot atbloķēšanas pogu uz iekšu. Tādejādi var sabojāt slēdzi.** Lietojot darbarīku, kura slēdzis nedarbojas pareizi, var zaudēt kontroli un radīt nopietnus ievainojumus.

Slēdža mēlītē ir atvērums, kas paredzēts darbarīka nobloķēšanai, ievietojot piekaramo slēdzeni.

Visām citām valstīm, izņemot Eiropas valstis

Att.17

Lai nepieļautu slēdža mēlītes nejaušu pavilkšanu, darbarīks ir aprīkots ar atbloķēšanas pogu. Lai darbarīku iedarbinātu, iespiediet atbloķēšanas pogu uz iekšu un pavelciet slēdža mēlīti. Lai apturētu darbarīku, atlaidiet slēdža mēlīti.

△BRĪDINĀJUMS:

- **Pirms darbarīka pievienošanas barošanas avotam, vienmēr pārbaudiet, vai slēdža mēlīte darbojas pareizi un pēc atlaišanas atgriežas stāvoklī „OFF” (izslēgts). Nevelciet slēdža mēlīti ar spēku, neiespiežot atbloķēšanas pogu uz iekšu. Tādejādi var sabojāt slēdzi.** Lietojot darbarīku, kura slēdzis nedarbojas pareizi, var zaudēt kontroli un radīt nopietnus ievainojumus.

Slēdža mēlītē ir atvērums, kas paredzēts darbarīka nobloķēšanai, ievietojot piekaramo slēdzeni.

⚠BRĪDINĀJUMS:

- **Neizmantojiet slēdzeni, kuras kājiņas vai troses diametrs ir mazāks par 6,35 mm.** Mazāka kājiņa vai trosē var nepareizi bloķēt darbarīku izslēgtā stāvoklī, un neparedzēta darbība var izraisīt nopietnus ievainojumus.
- **NEKAD neizmantojiet darbarīku, kam mēlīte pilnībā nedarbojas.** Darbarīks ar bojātu mēlītes funkciju ir ĻOTI BĪSTAMS un pirms turpmākas izmantošanas ir jāsalabo, pretējā gadījumā var izraisīt nopietnus ievainojumus.
- Jūsu drošības nolūkos šis darbarīks ir aprīkots ar atbloķēšanas pogu, kas nepieļauj darbarīka iedarbināšanu bez uzraudzības. NEKAD neekspluatējiet darbarīku, ja tas darbojas, kad vienkārši pavelciet slēdža mēlīti, nenospiežot atbloķēšanas pogu. Slēdzis, ko nepieciešams labot, var izraisīt neparedzētu darbību un radīt nopietnus ievainojumus. PIRMS turpmākas ekspluatācijas nododiet darbarīku MAKITA apkopes centrā, lai to atbilstoši salabotu.
- NEKAD neizjauciet atbloķēšanas pogu, to neaplīmējiet un citādāk nepārveidojiet. Slēdzis ar izjauktu atbloķēšanas pogu var izraisīt neparedzētu darbību un radīt nopietnus ievainojumus.

Elektroniskā vadība

Maigās palaišanas funkcija

- Šī funkcija nodrošina darbarīka vienmērīgu iedarbināšanu, ierobežojot iedarbināšanas griezes momentu.

Lāzestara darbība

Tikai modelim LS1018L

PIEZĪME:

- Pirms pirmās lietošanas bateriju nodalījumā ievietojiet divas AA sausā elementa baterijas. Pareizai ievietošanai skatiet sadaļu „Lāzera iekārtas sausā elementa bateriju nomainīšana”.

⚠UZMANĪBU:

- Kad lāzeru neizmantojat, izslēdziet to

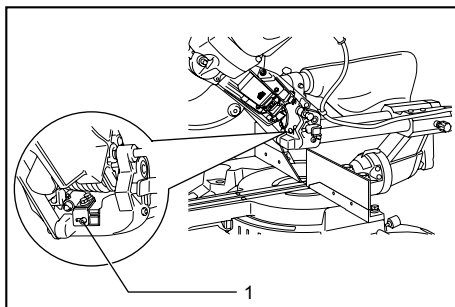
Att.18

⚠UZMANĪBU:

- Nekad neskatieties lāzestarā. Tiešs lāzestars var bojāt jūsu acis.
- LĀZERA RADIĀCIJA, NESKATĪTIES UZ LĀZERA STARU, 2. KLASES LĀZERA IZSTRĀDĀJUMS.
- Pirms lāzera stara pārvietošanas vai apkopes regulēšanas atvienojiet darbarīku no elektrotīkla.

Lai ieslēgtu lāzestaru, nospiediet slēdža augšējo daļu (I). Lai izslēgtu lāzestaru, nospiediet slēdža apakšējo daļu (O).

Lāzera staru iespējams pārvietot uz kreiso vai labo zāģa asmens pusi, atskrūvējot skrūvi, kas nostiprina lāzera iekārtas korpusu un pārvietojot to vajadzīgajā virzienā. Pēc pārvietošanas skrūvi pieskrūvējiet atpakaļ.



1. Skrūve, kas nostiprina lāzera iekārtas korpusu

010473

Lāzera līnija ir noregulēta rūpnīcā tā, ka atrodas 1 mm robežās no asmens malas virsmas (zāģēšanas stāvoklī).

PIEZĪME:

- Ja lāzera līnija ir blāva un slikti redzama tiešas saules gaismas dēļ, pārvietojiet darba zonu uz vietu, kurā ir mazāk tiešas saules gaismas.

Lāzera iekārtas sausā elementa bateriju nomainīšana

Att.19

Att.20

Lāzera iekārtas sausā elementa bateriju vāku var noņemt, to nospiežot un virzot. Izņemiet vecās sausā elementa baterijas un ievietojiet jaunās, kā parādīts zīmējumā. Pēc nomainīšanas atlieciet vāku vietā.

Lāzera gaismas lēcas tīrīšana

Ja lāzera gaismas lēca kļūst netīra vai ja pie tās pielīpušas zāģa skaidas, kā rezultātā lāzertīnija ir ar grūtībām saskatāma, atvienojiet zāģi no elektrotīkla, noņemiet lāzera gaismas lēcu un ar mitru un mīkstu lupatiņu to rūpīgi notīriet. Tīrot lēcu, nelietojiet šķīdinātājus vai tīrītājus uz naftas produktu bāzes.

PIEZĪME:

- Ja lāzera līnija ir blāva vai gandrīz nav redzama no darba iekšējai vai ārpusē logu plūstošas tiešas saules gaismas dēļ, pārvietojiet darba zonu vietā, kurā nav tiešas saules gaismas.

MONTĀŽA

⚠BRĪDINĀJUMS:

- **Vienmēr pirms darbarīka izmantošanas pārbaudiet, vai instruments ir izslēgts un atvienots no barošanas avota.** Ja darbarīku neizslēdz un neatvieno no barošanas avota, var izraisīt nopietnus ievainojumus.

Gala uzgriežņu atslēgas ar seššķautņu uzgriežņatslēgu otrā galā glabāšana

Att.21

Šarnīruzgriežņatslēgu uzglabā tā, kā attēlots zīmējumā. Kad gala šarnīruzgriežņatslēga ir nepieciešama, to var izvilkt no uzgriežņatslēgas turētāja. Pēc šarnīruzgriežņatslēgas izmantošanas to var nolikt atpakaļ glabāšanā uzgriežņatslēgas turētājā.

Zāģa asmens uzstādīšana un noņemšana.

△BRĪDINĀJUMS:

- **Vienmēr pirms asmens uzstādīšanas vai noņemšanas pārbaudiet, vai instruments ir izslēgts un atvienots no barošanas avota.** Darbarīka nejausa iedarbināšana var izraisīt nopietnus ievainojumus.
- **Izmantojiet tikai Makita šarnīruzgriežņatslēgu, kas paredzēta asmens uzstādīšanai vai noņemšanai.** Ja neizmanto uzgriežņatslēgu, seššķautņu bultskrūvi var pieskrūvēt pārāk cieši vai nepietiekami un var radīt nopietnus ievainojumus.

Att.22

Nospiežot aiztura tapu, nobloķējiet rokturi paceltā stāvoklī.

Att.23

Lai noņemtu asmeni, ar gala uzgriežņu atslēgu atskrūvējiet seššķautņu bultskrūvi, ar ko piestiprināts centrālais apvalks, griežot to pretēji pulksteņrādītāja virzienam. Paceliet asmens aizsargu un centrālo apvalku.

△BRĪDINĀJUMS:

- **Neizskrūvējiet nevienu citu skrūvi, bet tikai attēloto seššķautņu bultskrūvi.** Ja nejausi noskrūvēsit citu skrūvi un nokritīs asmens aizsargs, noteikti atlieciet vietā asmens aizsargu.

Att.24

Nospiediet vārpstas bloķētāju, lai nobloķētu vārpstu, un ar gala uzgriežņu atslēgu pulksteņrādītāja virzienā atskrūvējiet seššķautņu bultskrūvi. Pēc tam izņemiet seššķautņu bultskrūvi, ārējo atloku un asmeni.

PIEZĪME:

- Ja noņem iekšējo atloku, noteikti uzstādiat to atpakaļ uz vārpstas ar izvīrījumu prom no asmens. Ja atloks ir uzstādīts nepareizi, atloks berzēsies pret instrumentu.

△BRĪDINĀJUMS:

- **Pirms asmens uzstādīšanas uz vārpstas vienmēr pārbaudiet, vai starp iekšējo un ārējo atloku ir uzstādīts pareizais gredzens izmantojamā asmens ass caurumam.** Nepareiza ass cauruma izmantošanas dēļ asmens tiek piestiprināts nepareizi, un asmens var kustēties, radot spēcīgu vibrāciju, kas var izraisīt kontroles zudumu darbības laikā un nopietnus ievainojumus.

Att.25

Lai uzstādītu asmeni, uzmanīgi to uzlieciet uz vārpstas, pārbaudot, vai bultiņa uz asmens virsmas ir vērsta tajā pašā virzienā, kādā asmens korpusa bultiņa.

Uzstādiat ārējo atloku un seššķautņu bultskrūvi, un tad ar gala uzgriežņu atslēgu pretēji pulksteņrādītāja virzienam cieši pieskrūvējiet seššķautņu bultskrūvi (kreisās puses), turot nospiestu vārpstas bloķētāju.

Att.26

△UZMANĪBU:

- Gredzens ar ārējo diametru 25,4 mm vai 30 mm ir rūpnīcā uzstādīts uz vārpstas. Pirms asmens uzstādīšanas uz vārpstas vienmēr pārbaudiet, vai uz tās ir uzstādīts pareizais gredzens izmantojamā asmens ass caurumam.

Uzstādiat ārējo atloku un seššķautņu bultskrūvi, un tad ar gala uzgriežņu atslēgu pretēji pulksteņrādītāja virzienam cieši pieskrūvējiet seššķautņu bultskrūvi, turot nospiestu vārpstas bloķētāju.

Att.27

Atgrieziet asmens aizsargu un centrālo apvalku to sākotnējā stāvoklī. Tad, lai nostiprinātu centrālo apvalku, pulksteņrādītāja virzienā pieskrūvējiet seššķautņu bultskrūvi. Pavelkot aiztura tapu, atbrīvojiet rokturi no paceltā stāvokļa. Nolaidiet rokturi, lai pārliecinātos, vai asmens aizsargs virzās pareizi. Pirms zāģēšanas pārbaudiet vai vārpstas bloķētājs ir vārpstu atbloķējis.

Putekļu maiss (piederums)

Att.28

Lietojot putekļu maisu, zāģēšanas laikā neizceļas putekļi, jo pavisam vienkāršā veidā tie tiek savākti. Lai uzstādītu putekļu maisu, uzlieciet to uz putekļu sprauslas.

Kad putekļu maiss ir aptuveni līdz pusei piepildīts, noņemiet to nost no darbarīka un stiprinājumu izspiediet ārā. Iztukšojiet maisa saturu, viegli pa to pasitot, lai atdalītu iekšpusē pielipušās daļiņas, kas turpmāk varētu traucēt putekļu savākšanai.

PIEZĪME:

Ja zāģim pievienosiet putekļsūcēju, darbs ar to būs tīrāks.

Apstrādājamā materiāla nostiprināšana

△BRĪDINĀJUMS:

- **Ļoti svarīgi ir vienmēr pareizi nostiprināt apstrādājamo materiālu ar pareizo skrūvspīļu veidu vai jostīņu virs dzegas aizzutiem.** Ja to neizdara, iespējams izraisīt nopietnus ievainojumus un radīt bojājumus darbarīkam un/vai apstrādājamam materiālam.
- **Pēc zāģēšanas nepaceliet asmeni, kamēr tas nav pilnībā apstājies.** Asmens, kas kustas pēc inerces, pacelšana var radīt nopietnus ievainojumus un bojāt apstrādājamo materiālu.

- **Zāgējot apstrādājamo materiālu, kas ir garāks nekā zāga atbalsta pamatne, materiāls jāatbalsta visā garumā aiz atbalsta pamatnes un tajā pašā augstumā, lai materiāls būtu līdzens.** Pareizs apstrādājamā materiāla atbalsts ļaus izvairīties no asmens iestrēgšanas un iespējama atsitiena, kas var izraisīt nopietnu personas ievainojumu. Neizmantojiet tikai vertikālās un/vai horizontālās skrūvspīles, lai nostiprinātu materiālu. Plāni materiāli mēdz ieliekties. Nostipriniet apstrādājamo materiālu visā tā garumā, lai asmens neiestrēgtu un lai nerastos ATSITIENS.

Att.29

Vadotnes ierobežotāja (SLIDOŠĀ IEROBEŽOTĀJA) regulēšana

Att.30

▲BRĪDINĀJUMS:

- Pirms darbarīka ekspluatācijas pārlicinieties, vai slīdošais ierobežotājs ir cieši piestiprināts.
- **Pirms uzsākt zāgēšanu slīpā leņķī, pārlicinieties, vai neviena darbarīka daļa, jo īpaši asmens, pilnībā nolaižot un paceļot rokturi jebkurā stāvoklī vai virzot atbalstu tā pilnā gājiena diapazonā, nesaskaras ar ierobežotāju.** Ja darbarīks vai asmens saskaras ar ierobežotāju, tas var izraisīt atsitenu vai materiāla negaidītu izkustēšanos, un nopietnus ievainojumus.

Att.31

▲UZMANĪBU:

- Zāgējot slīpā leņķī, pavierziet slīdošo ierobežotāju uz kreiso pusi un to nostipriniet, kā attēlots zīmējumā. Pretējā gadījumā tas saskarsies ar asmeni vai darbarīku, kā rezultātā operators var gūt nopietnus ievainojumus.

Šis darbarīks ir aprīkots ar slīdošo ierobežotāju, kas parasti jānovieto tā, kā attēlots zīmējumā.

Taču, zāgējot slīpā leņķī uz kreiso pusi, uzstādiat to stāvoklī uz kreiso pusi, kā attēlots zīmējumā, ja ar to saskaras darbarīka augšdaļa.

Kad zāgēšana slīpā leņķī ir pabeigta, neaizmirstiet atlikt slīdošo ierobežotāju sākotnējā stāvoklī un to nostiprināt, cieši pieskrūvējot spīļējuma skrūvi.

Apakšējais ierobežotājs R (labajā pusē)

▲BRĪDINĀJUMS:

- Pirms darbarīka ekspluatācijas pārlicinieties, vai apakšējais ierobežotājs R ir cieši piestiprināts.
- Pirms zāgēšanas slīpā leņķī uz labo pusi, noņemiet apakšējo ierobežotāju R. Tas saskarsies ar asmeni vai darbarīku, kā rezultātā operators var gūt nopietnus ievainojumus.

Att.32

Apakšējo ierobežotāju R iespējams noņemt no vadotnes ierobežotāja labās puses. Lai noņemtu apakšējo ierobežotāju R, atskrūvējiet skrūvi, ar ko piestiprināts apakšējais ierobežotājs R, un to izvelciet ārā. Veiciet darbības pretējā kārtībā, lai to uzstādītu.

Kad zāgēšana slīpā leņķī ir pabeigta, neaizmirstiet atlikt apakšējo ierobežotāju R sākotnējā stāvoklī un to nostiprināt, cieši pieskrūvējot spīļējuma skrūvi.

Vertikālās skrūvspīles

Att.33

Vertikālās skrūvspīles var uzstādīt vai nu vadotnes ierobežotāja kreisajā vai labajā pusē. Ievietojiet skrūvspīļu stieni vadotnes ierobežotāja caurumā un pieskrūvējiet vadotnes ierobežotāja aizmugurē esošo skrūvi, lai nostiprinātu šo stieni.

Novietojiet skrūvspīļu kloķi atbilstoši apstrādājamā materiāla biežumam un formai un nostipriniet skrūvspīļu kloķi, pieskrūvējot skrūvi. Ja skrūve, ar ko piestiprināts skrūvspīļu kloķis, saskaras ar vadotnes ierobežotāju, uzstādiat to šī kloķa pretējā pusē. Pārlicinieties, vai, nolaižot rokturi uz leju līdz galam un pilnībā pavelkot vai pastumjot atbalstu, darbarīks nesaskaras ar skrūvspīlēm. Ja darbarīks ar tām saskaras, mainiet skrūvspīļu stāvokli.

Spiediet apstrādājamo materiālu līdzeni uz vadotnes ierobežotāja un pagriežamās pamatnes. Novietojiet apstrādājamo materiālu vēlamajā zāgēšanas stāvoklī un cieši to piestipriniet, pievelkot skrūvspīļu rokturi.

▲BRĪDINĀJUMS:

- **Apstrādājamam materiālam visu darbību laikā ar skrūvspīlēm jābūt cieši nostiprinātam pret pagriežamo pamatni un vadotni.** Ja apstrādājamais materiāls nav pareizi nostiprināts pret ierobežotāju, materiāls zāgēšanas laikā var izkustēties, izraisot iespējamu asmens bojājumu un materiāla izmešanu, kā arī kontroles zudumu, kas izraisa nopietnus ievainojumus.

Horizontālās skrūvspīles (papildpiederums)

Att.34

Horizontālās skrūvspīles var uzstādīt divos veidos - pamatnes kreisajā vai labajā pusē. Zāgējot 10° vai lielākā leņķī, uzstādiat horizontālās skrūvspīles tajā pusē, kas atrodas pretēji virzienam, kurā griezīsies pagriežamā pamatne.

Att.35

Uzsitot skrūvspīļu uzgriezni pretēji pulksteņrādītāja virzienam, skrūvspīles tiek atbrīvotas, un tad strauji pārvietojas iekšā un ārā. Lai satvertu apstrādājamo materiālu, spiediet skrūvspīļu rokturi uz priekšu, līdz skrūvspīļu plāksne saskaras ar materiālu, un tad uzsitiet skrūvspīļu uzgriezni pulksteņrādītāja virzienā. Tad, lai nostiprinātu apstrādājamo materiālu, grieziet skrūvspīļu rokturi pulksteņrādītāja virzienā.

Maksimālais apstrādājamā materiāla, ko var nostiprināt ar horizontālajām skrūvspīlēm, platums ir 215 mm.

Uzstādot horizontālās skrūvspīles labajā pamatnes pusē, izmantojiet arī apakšējo ierobežotāju R, lai vēl ciešāk nostiprinātu apstrādājamo materiālu. Skatiet sadaļu "Apakšējais ierobežotājs R (labajā pusē)", kas ir aprakstīta iepriekš, lai uzzinātu, kā uzstādīt apakšējo ierobežotāju R.

⚠BRĪDINĀJUMS:

- Vienmēr grieziet skrūvspīļu uzgriezni pulksteņrādītāja virzienā, līdz apstrādājama materiāls ir pareizi nostiprināts. Ja apstrādājama materiāls nav pareizi nostiprināts, materiāls zāģēšanas laikā var izkustēties, izraisot iespējamu asmens bojājumu un materiāla izmešanu, kā arī kontroles zudumu, kas izraisa nopietnus ievainojumus.
- Pret ierobežotāju zāģējot plānu apstrādājamo materiālu, piemēram, grīdlīstes, vienmēr izmantojiet horizontālās skrūvspīles.

Turekļi

Att.36

Turekļus iespējams uzstādīt jebkurā pusē, izmantojot tos par ērtiem apstrādājamā materiāla horizontālā stāvokļa atbalstiem. Pilnībā ievietojiet turekļu stieņus pamatnes caurumos. Tad ar skrūvēm turekļus cieši pieskrūvējiet.

⚠BRĪDINĀJUMS:

- Vienmēr atbalstiet garu apstrādājamo materiālu tā, lai tas ir vienā līmenī ar pagriežamā pamata augšējo virsmu, nodrošinot precīzu griezumu un nepieļaujot bīstamu darbarīka kontroles zudumu. Pareizs apstrādājamā materiāla atbalsts ļaus izvairīties no asmens iestrēgšanas un iespējamā atsitiena, kas var izraisīt nopietnus ievainojumus.

EKSPLUATĀCIJA

PIEZĪME:

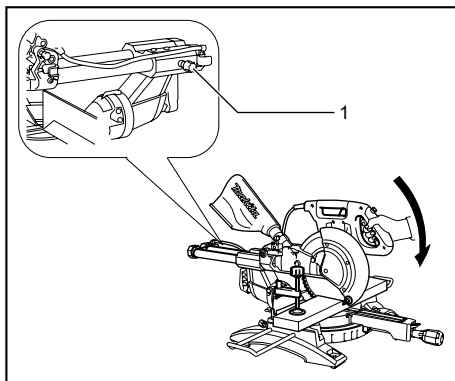
- Pirms ekspluatācijas obligāti atbrīvojiet rokturi no zemākā stāvokļa, pavelkot aiztura tapu
- Zāģējot nespiediet pārāk daudz uz roktura. Spiežot pārāk stipri, dzinējam var rasties pārslodze un/vai zāģēšanas efektivitāte var mazināties. Spiediet rokturi uz leju tikai tik spēcīgi, cik vajadzīgs, lai sazāģētu vienmērīgi, ievērojami nemazinot asmens ātrumu.
- Lai zāģētu, uzmanīgi spiediet uz leju rokturi. Ja rokturi spiedīsiet uz leju spēcīgi vai ja spiedīsiet to no sāniem, asmens vibrēs un vairs nevirzīsiet pa atzīmēto līniju uz apstrādājamā materiāla (zāģa atzīmi), un zāģis vairs nesazāģēs precīzi.
- Virzot zāģi zāģējot, uzmanīgi bīdīet atbalstu vadotnes ierobežotāja virzienā, nepārtraucot šo darbību. Ja zāģēšanas laikā pārtrauksiet bīdīt atbalstu, apstrādājamā materiālā būs redzamas šīs vietas pēdas, kā arī zāģis vairs nesazāģēs precīzi.

⚠BRĪDINĀJUMS:

- **Nodrošiniet, lai asmens nesaskartos ar materiālu pirms ir ieslēgts slēdzis.**

Ja darbarīku ieslēdz, kad asmens saskaras ar apstrādājamo materiālu, var izraisīt atsitieni un nopietnus ievainojumus.

1. **Zāģēšana ar spiedienu (zāģējot mazus materiālus)**



1. Atdures skrūve

011409

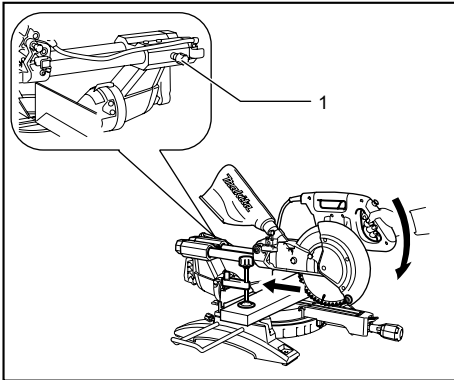
Apstrādājamos materiālus 91 mm augstumā un 70 mm platumā iespējams sazāģēt šādi.

Bīdīet atbalstu vadotnes ierobežotāja virzienā līdz galam un, lai nostiprinātu atbalstu, pagrieziet atdures skrūvi pulksteņrādītāja virzienā. Ar pareizo skrūvspīļu veidu pareizi nostipriniet apstrādājamo materiālu. Ieslēdziet darbarīku, asmenim nesaskaroties ar virsmu, un pirms tā nolaišanas lejup nogaidiet, kamēr asmens darbojas ar pilnu jaudu. Tad, lai zāģētu materiālu, uzmanīgi nolaidiet rokturi līdz viszemākajam stāvoklim. Kad zāģēšana ir pabeigta, izslēdziet darbarīku un **NOGAIDIET, LĪDZ ASMENS IR PILNĪBĀ PĀRSTĀJIS DARBOTIES** pirms atgriezt atpakaļ pilnībā paceltajā stāvoklī.

⚠BRĪDINĀJUMS:

- **Lai atbalsts ekspluatācijas laikā neizkustētos, pulksteņrādītāja virzienā cieši pieskrūvējiet rokturi.** Ja rokturi cieši nepieskrūvē, iespējams izraisīt atsitieni, kas var radīt nopietnus ievainojumus.

2. Zāģēšana ar virzišanu (spiešanu) (zāģējot platus materiālus)



1. Atdures skrūve

011410

Pretēji pulksteņrādītāja virzienam atskrūvējiet atdures skrūvi, lai atbalstu varētu brīvi virzīt. Ar pareizo skrūvspīļu veidu nostipriniet apstrādājamo materiālu. Paveiciet atbalstu virzienā pret sevi līdz galam. Ieslēdziet darbarīku, asmenim nesaskaroties ar virsmu, un nogaidiet, kamēr asmens darbojas ar pilnu jaudu. Nospiediet uz leju rokturi un BĪDIET ATBALSTU VADOTNES IEROBEŽOTĀJĀ VIRZIENĀ UN CAURI APSTRĀDĀJAMĀJAM MATERIĀLAM. Kad zāģēšana ir pabeigta, izslēdziet darbarīku, un NOGAIDIET, LĪDZ ASMENS IR PILNĪBĀ PĀRSTĀJIS DARBOTIES pirms atgriezt atpakaj pilnībā paceltajā stāvoklī.

⚠BRĪDINĀJUMS:

- Vienmēr, kad tiek veikta slīdes zāģēšana, vispirms paveiciet atbalstu pilnībā pret sevi un pilnībā nospiediet rokturi, tad virziet atbalstu pret vadotni. Nesāciet zāģēšanu, ja atbalsts pilnībā nav paviļkts pret sevi. Ja veicat slīdes zāģēšanu, nepaveļkot atbalstu pilnībā pret sevi, var rasties neparedzēts atsitieni un izraisīt nopietnus ievainojumus.
- Nekad neveiciet slīdes zāģēšanu, veļkot atbalstu pret sevi. Ja zāģēšana laikā atbalstu veļkot pret sevi, var izraisīt neparedzētu atsitieni, kas var radīt nopietnus ievainojumus.
- Nekad neveiciet slīdes zāģēšanu, ja rokturis ir bloķēts zemākajā stāvoklī.
- Asmenim griežoties, nekad neatskrūvējiet atdures skrūvi, ar ko piestiprināts atbalsts. Valjīgs atbalsts zāģēšanas laikā var izraisīt neparedzētu atsitieni, kas var radīt nopietnus ievainojumus.

3. Zāģēšana leņķī

Skatiet iepriekš sadaļu „Zāģēšanas leņķa noregulēšana”.

4. Slīpenķa zāģēšana

Att.37

Atbrīvojiet sviru un, lai uzstādītu slīpo leņķi, sasveriet zāģa asmeni (skatiet iepriekš sadaļu „Slīpā leņķa noregulēšana”). Obligāti vēlreiz no jauna cieši pievelciet sviru, lai droši nostiprinātu izvēlēto slīpo leņķi. Ar skrūvspīlēm nostipriniet apstrādājamo materiālu. Pārbaudiet, vai atbalsts ir paviļkts atpakaj operatora virzienā līdz galam. Ieslēdziet darbarīku, asmenim nesaskaroties ar virsmu, un nogaidiet, kamēr asmens darbojas ar pilnu jaudu. Tad uzmanīgi nolaidiet rokturi līdz viszemākajam stāvoklim, spiežot paralēli asmenim, un, LAI ZĀĢĒTU APSTRĀDĀJAMO MATERIĀLU, BĪDIET ATBALSTU VADOTNES IEROBEŽOTĀJĀ VIRZIENĀ. Kad zāģēšana ir pabeigta, izslēdziet darbarīku un NOGAIDIET, LĪDZ ASMENS IR PILNĪBĀ PĀRSTĀJIS DARBOTIES pirms atgriezt to atpakaj pilnībā paceltajā stāvoklī.

⚠BRĪDINĀJUMS:

- Pēc asmens iestāšanās slīpai zāģēšanai un pirms darbarīka izmantošanas nodrošiniet, lai atbalsts un asmens brīvi virzās visā paredzētā zāģējuma diapazonā. Atbalsta vai asmens gājiena kavēšana zāģēšanas laikā var izraisīt atsitieni un nopietnus ievainojumus.
- Veicot slīpo zāģēšanu, neturiet rokas asmens ceļā. Asmens leņķis var lietotajam sniegt citu priekšstatu par asmens īsto ceļu zāģēšanas laikā, un saskarsme ar asmeni izraisa nopietnus ievainojumus.
- Asmeni nedrīkst pacelt, pirms tas ir pilnībā apstājies. Slīpās zāģēšanas laikā nozāģētais gabals var atrasties pie asmens. Ja paceļ rotējošu asmeni, nozāģēto gabalu asmens var izmest gaisā, sadrumstalojot materiālu, kas var izraisīt nopietnus ievainojumus.

PIEZĪME:

- Spiežot rokturi uz leju, spiediet paralēli asmenim. Ja spiedīsiet perpendikulāri pagriežamajai pamatnei vai ja zāģējot mainīsiet spiešanas virzienu, zāģis vairs nesazāģēs precīzi.
- Pirms uzsākt zāģēšanu slīpā leņķī var būt nepieciešams noregulēt slīdošo ierobežotāju. Skatiet sadaļu „Vadotnes ierobežotāja regulēšana”.

⚠UZMANĪBU:

- Apakšējo ierobežotāju R vienmēr virziet vai noņemiet tādā veidā, lai, veicot slīpo zāģēšanu pa labi, tas netraucētu nevienai atbalsta daļai.

5. Kombinētā zāģēšana

Kombinētā zāģēšana ir process, kurā slīpais leņķis uz apstrādājamā materiāla tiek veidots vienlaicīgi ar zāģēšanas leņķi. Kombinēto zāģēšanu iespējams veikt tabulā redzamajā leņķī.

Zāģēšanas leņķis	Slīpais leņķis
Pa kreisi un pa labi 0° - 45°	Pa kreisi un pa labi 0° - 45°

009713

Zāģējot kombinēti, skatiet skaidrojumus sadaļā „Zāģēšana ar spiedienu”, „Zāģēšana, virzot zāģi”, „Zāģēšana leņķī” un „Slīpenļa zāģēšana”.

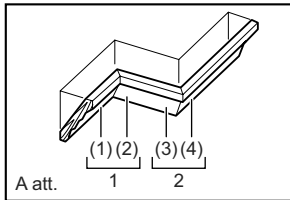
6. Jostiņu virs dzegas un stūrlīstu zāģēšana

Jostiņas virs dzegas un stūrlīstes var izzāģēt ar kombinēto leņķzāģi, profilus novietojot plakaniski uz pagriežamās pamatnes.

Ir divi standarta jostiņu virs dzegas veidi un viens stūrlīstes veids; 52/38° sienas leņķa jostiņa virs dzegas, 45° sienas leņķa jostiņa virs dzegas un 45° sienas leņķa stūrlīste. Skatiet attēlus.

Att.38

Ir jostiņu virs dzegas un stūrlīstu saduras, kas izgatavotas „iekšējiem” 90° stūriem ((1) un (2) A attēlā) un „ārējiem” 90° stūriem ((3) un (4) A attēlā).



001556

1. Iekšējais stūris
2. Ārējais stūris

Att.39

Mērīšana

Nomēriet sienas garumu un piemērojiet apstrādājamo materiālu uz darbagalda, lai iegūtu vēlamo garumu sienas malai. Vienmēr pārbaudiet, vai apstrādājamā materiāla zāģēšana garums **apstrādājamā materiāla aizmugurē** ir tāds pats kā sienas garums. Piemērojiet zāģēšanas garumu zāģēšanas leņķim. Vienmēr vairākus gabalus izmantojiet pārbaudei, lai pārbaudītu zāģēšanas leņķus.

Zāģējot jostiņas virs dzegas un stūrlīstes, iestatiet slīpo leņķi un zāģēšanas leņķi, kā norādīts (A) tabulā, un novietojiet profilus uz zāģa pamatnes augšējās virsmas, kā norādīts (B) tabulā.

Veicot kreisās puses slīpo zāģēšanu

(A) tabula

Profilā stāvoklis A.att.	Slīpais leņķis		Zāģēšanas leņķis		
	52/38° leņķis	45° leņķis	52/38° leņķis	45° leņķis	
Iekšējam leņķim	(1)	Kreisis 33,9°	Kreisis 30°	Labais 31,6°	Labais 35,3°
	(2)			Kreisis 31,6°	Kreisis 35,3°
Ārējam leņķim	(3)			Labais 31,6°	Labais 35,3°
	(4)				

006361

(B) tabula

Profilā stāvoklis A.att.	Profilā mala pret vadotnes ierobežotāju	Pabeigtais materiāls
Iekšējam leņķim	(1)	Griestu malai jāatrodas pret vadotnes ierobežotāju.
	(2)	Sienas malai jāatrodas pret vadotnes ierobežotāju.
Ārējam leņķim	(3)	Griestu malai jāatrodas pret vadotnes ierobežotāju.
	(4)	Sienas malai jāatrodas pret vadotnes ierobežotāju.

006362

Piemērs:

Zāģējot 52/38° leņķa jostiņu virs dzegas (1) stāvoklim A attēlā:

- Nolieciet un nostipriniet slīpā leņķa iestatījumu uz 33,9° PA KREISI.
- Noregulējiet un nostipriniet zāģēšanas leņķa iestatījumu uz 31,6° PA LABI.
- Novietojiet jostiņu virs dzegas ar tās plato aizmugures (slēpto) virsmu uz pagriežamās pamatnes un ar GRIESTU MALU pret zāģa vadotnes ierobežotāju.
- Izmantotais sazāģētais materiāls pēc zāģēšanas pabeigšanas vienmēr atrodas KREISAJĀ pusē no zāģa asmens.

Veicot labās puses slīpo zāģēšanu

(A) tabula

Profilā stāvoklis A.att.	Slīpais leņķis		Zāģēšanas leņķis		
	52/38° leņķis	45° leņķis	52/38° leņķis	45° leņķis	
Iekšējam leņķim	(1)	Labais 33,9°	Labais 30°	Labais 31,6°	Labais 35,3°
	(2)			Kreisis 31,6°	Kreisis 35,3°
Ārējam leņķim	(3)			Labais 31,6°	Labais 35,3°
	(4)				

006363

(B) tabula

Profilā stāvoklis A.att.	Profilā mala pret vadotnes ierobežotāju	Pabeigtais materiāls
Iekšējam leņķim	(1)	Sienas malai jāatrodas pret vadotnes ierobežotāju.
	(2)	Griestu malai jāatrodas pret vadotnes ierobežotāju.
Ārējam leņķim	(3)	Griestu malai jāatrodas pret vadotnes ierobežotāju.
	(4)	Sienas malai jāatrodas pret vadotnes ierobežotāju.

006364

Piemērs:

Zāģējot 52/38° leņķa jostīņu virs dzegas (1) stāvoklim A attēlā:

- Nolieciet un nostipriniet slīpā leņķa iestatījumu uz 33,9° PA LABI.
- Noregulējiet un nostipriniet zāģēšanas leņķa iestatījumu uz 31,6° PA LABI.
- Novietojiet jostīņu virs dzegas ar tās plato aizmugures (slēpto) virsmu uz pagriežamās pamatnes un ar SIENAS MALU pret zāģa vadotnes ierobežotāju.
- Izmantotais sazāģētais materiāls pēc zāģēšanas pabeigšanas vienmēr atradīsies LABAJĀ pusē no zāģa asmens.

7. Alumīnija profilu zāģēšana

Att.40

Att.41

Alumīnija profilu nostiprināšanai izmantojiet starplikas blokus vai atgriezumus gabalus, kā attēlots zīmējumā, lai alumīnijs nedeformētos. Zāģējot alumīnija profilu, izmantojiet zāģēšanas smērvielu, lai uz asmens nenogulsnētos alumīnija materiāls.

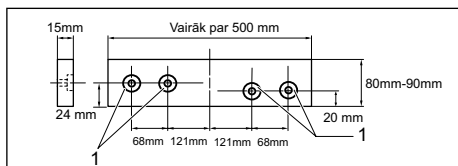
⚠BRĪDINĀJUMS:

- **Nekad nemēģiniet zāģēt biezus vai apaļus alumīnija štancējumus.** Biezus vai apaļus alumīnija štancējumus var būt grūti nostiprināt, un zāģēšanas laikā tie var kļūt vaļīgi, kas var izraisīt kontroles zudumu un nopietnus ievainojumus.

8. Koka finierējums

Izmantojot koka finierējumu, apstrādājamo materiālu iespējams sazāģēt, neveidojot skabargas. Piestipriniet koka finierējumu pie vadotnes ierobežotāja, šim nolūkam izmantojot caurumus ierobežotājā.

Skat. zīmējumu attiecībā uz paredzētā koka finierējuma izmēriem.



1. Caurumi

010563

⚠UZMANĪBU:

- Kā koka finierējumu izmantojiet taisnu un vienmērīga platumā koka gabalu.

⚠BRĪDINĀJUMS:

- **Koka finierējumu pie vadotnes ierobežotāja pieskrūvējiet ar skrūvēm. Skrūves jāieskrūvē**

tā, lai skrūvju galviņas atrastos zemāk par koka finierējuma virsmu un netraucētu zāģējamā materiāla novietošanai. Zāģējamā materiāla nepareizs novietojums var izraisīt neparedzētu izkustēšanos zāģēšanas laikā, kas var izraisīt kontroles zudumu un nopietnus ievainojumus.

PIEZĪME:

- Kad koka finierējums ir piestiprināts, negrieziet pagriežamo galdu, ja rokturis ir nolaiests lejā. Tādējādi sabojāsiēt asmeni un/vai koka finierējumu.

9. Rievu zāģēšana

Att.42

Cokolveida zāģēšanu iespējams veikt, rīkojoties šādi:

Lai ierobežotu asmens zāģēšanas dziļumu, ar regulēšanas skrūvi un aiztura kloķi noregulējiet asmens apakšējās robežas stāvokli. Skatiet sadaļu „Aiztura kloķis”, kas ir aprakstīta iepriekš.

Kad asmens apakšējās robežas stāvoklis ir noregulēts, zāģējiet paralēlas rievas visa apstrādājamā materiāla platumā, izmantojot zāģēšanas ar virzišanu (spiešanu) režīmu, kā attēlots zīmējumā. Tad ar kalnu izņemiet starp gropēm esošos materiāla atgriezumus.

⚠BRĪDINĀJUMS:

- **Nemēģiniet veikt šāda veida zāģēšanu, izmantojot platāku asmeni vai cokolasmēni.** Ja gropes zāģēšanu mēģina veikt ar platāku asmeni vai cokolasmēni, tas var radīt neparedzētus zāģēšanas rezultātus un atsitenu, kas var izraisīt nopietnus ievainojumus.
- **Ja vairs neveic gropes zāģēšanu, bet izmanto citu zāģēšanas veidu, novietojiet sprūda strēli atpakaļ sākotnējā stāvoklī.** Ja zāģēšanu mēģina veikt ar sprūda strēli nepareizā stāvoklī, tas var radīt neparedzētus zāģēšanas rezultātus un atsitenu, kas var izraisīt nopietnus ievainojumus.

⚠UZMANĪBU:

- Ja nezāģējat rievu zāģēšanas režīmā, bet kādā citā, obligāti atgrieziet aiztura kloķi tā sākotnējā stāvoklī.

Darbarīka pārnēsāšana

Att.43

Pārbaudiet, vai darbarīks ir atvienots no elektrotīkla. Nostipriniet asmeni 0° slīpā leņķī un pagriežamo pamatni - zāģēšanas leņķī uz labo pusi līdz galam. Nostipriniet slīdspaiļi tādā veidā, lai apakšējā slīdspaiļi ir bloķēti stāvoklī, kad atbalsts ir pilnībā pavilkts uz lietotāja pusi, bet augšējās slīdspaiļi ir bloķēti stāvoklī, kad atbalsts ir pilnībā pastumts uz priekšu pret vadotnes ierobežotāju (skatiet sadaļu „Slīdslēdža regulēšana”). Nolaidiet rokturi uz leju līdz galam un nobloķējiet rokturi zemākajā stāvoklī, nospiežot aiztura tapu.

Uz vadu statīva uziniet strāvas vadu.

△BRĪDINĀJUMS:

- **Aiztura tapu ir paredzēta tikai pārnēsāšanai un glabāšanai, un to nedrīkst izmantot zāģēšanas darbībām.** Izmantojot aiztura tapu zāģēšanas laikā, iespējams izraisīt neparedzētu zāģa asmens izkustēšanos, kas radīs atsitienu un nopietnus ievainojumus.

Pārnēsājiet darbarīku, turot tā pamatnes abas puses, kā attēlots zīmējumā. Darbarīku iespējams daudz vieglāk pārnēsāt, noņemot turekļus, putekļu maisu, u.c.

△UZMANĪBU:

- Pirms darbarīka pārnēsāšanas vienmēr nostipriniet visas kustīgās daļas. Ja darbarīka daļas pārnēsāšanas laikā izkustās vai izslīd, var rasties kontroles vai līdzsvara zudums, kas radīs ievainojumus.

APKOPE

△BRĪDINĀJUMS:

- **Vienmēr pirms darbarīka pārbaudes vai apkopes pārbaudiet, vai instruments ir izslēgts un atvienots no barošanas avota.** Ja darbarīku neizslēdz un neatvieno no barošanas avota, darbarīks var nejauši ieslēgties, kas var izraisīt nopietnus ievainojumus.
- **Vislabākajam un visdrošākajam darba rezultātam vienmēr nodrošiniet, lai asmens ir ass un tīrs.** Mēģinot zāģēt ar trulu un/vai netīru asmeni, iespējams izraisīt atsitienu un radīt nopietnus ievainojumus.

PIEZĪME:

- Nekad neizmantojiet gāzoliņu, benzīnu, atšķaidītāju, spirtu vai līdzīgus šķidrumus. Tas var radīt izbalēšanu, deformāciju vai plaisas.

Zāģēšanas leņķa noregulēšana

Šis darbarīks ir uzmanīgi noregulēts un savietots rūpnīcā, taču, ja ar to nerīkosieties saudzīgi, tas vairs var nebūt pareizi noregulēts. Ja darbarīks nav pareizi savietots, rīkojieties šādi:

1. Zāģēšanas leņķis

Att.44

Bīdiet atbalstu vadotnes ierobežotāja virzienā un, lai nostiprinātu atbalstu, pagrieziet atdures skrūvi. Atbrīvojiet rokturi, ar ko piestiprināta pagriežamā pamatne. Grieziet pagriežamo pamatni tā, lai rādītājs būtu vērsts pret 0° atzīmi uz zāģēšanas leņķa skalas. Tad nedaudz pagrieziet pagriežamo pamatni pulksteņrādītāja virzienā un pretēji tam, lai to iestatītu 0° zāģēšanas leņķa ierobā. (Atstājiet to, kā ir, ja rādītājs nav vērsts pret 0° leņķa atzīmi.) Ar gala uzgriežņu atslēgu atskrūvējiet seššķautņu bultskrūves, ar ko piestiprināts vadotnes ierobežotājs.

Att.45

Nolaidiet rokturi uz leju līdz galam un nobloķējiet rokturi zemākajā stāvoklī, nospiežot aiztura tapu. Ar leņķmēru, lekālu, u.c. izlīdziniet asmens malu ar vadotnes ierobežotāja priekšējo daļu. Tad virzienā no labās puses cieši pieskrūvējiet vadotnes ierobežotāja seššķautņu bultskrūves.

Att.46

Pārbaudiet, vai rādītājs ir vērsts pret 0° leņķa atzīmi uz zāģēšanas leņķa skalas. Ja rādītājs nav vērsts pret 0° leņķa atzīmi, atskrūvējiet skrūvi, ar ko piestiprināts rādītājs, un noregulējiet pēdējo tā, lai tas būtu vērsts pret 0° leņķa atzīmi.

2. Slīpais leņķis

- (1) 0° slīpais leņķis

Att.47

Bīdiet atbalstu vadotnes ierobežotāja virzienā un, lai nostiprinātu atbalstu, pagrieziet atdures skrūvi. Nolaidiet rokturi uz leju līdz galam un nobloķējiet rokturi zemākajā stāvoklī, nospiežot aiztura tapu. Atbrīvojiet sviru, kas atrodas darbarīka aizmugurē.

Att.48

Lai asmeni sasvērtu uz labo pusi, divas vai trīs reizes pretēji pulksteņrādītāja virzienam pagrieziet seššķautņu bultskrūvi, kas atrodas kļoķa labajā pusē.

Att.49

Ar leņķmēru, lekālu, u.c. rūpīgi izlīdziniet asmens malu ar pagriežamās pamatnes augšējo virsmu, pagriežot seššķautņu bultskrūvi, kas atrodas kļoķa labajā pusē, pulksteņrādītāja virzienā. Tad sviru cieši pievelciet.

Att.50

Pārbaudiet, vai rādītājs, kas atrodas uz kļoķa, ir vērsts pret 0° atzīmi uz slīpā leņķa skalas, kas atrodas uz kļoķa turekļa. Ja tas nav vērsts pret 0° leņķa atzīmi, atskrūvējiet skrūvi, ar ko piestiprināts rādītājs, un noregulējiet to tā, lai būtu vērsts pret 0° leņķa atzīmi.

- (2) 45° slīpais leņķis

Att.51

Regulējiet 45° slīpo leņķi tikai pēc tam, kad ir noregulēts 0° slīpais leņķis. Lai noregulētu 45° slīpo leņķi, atbrīvojiet sviru un sasveriet asmeni pa kreisi līdz galam. Pārbaudiet, vai rādītājs, kas atrodas uz kļoķa, ir vērsts pret 45° atzīmi uz slīpā leņķa skalas, kas atrodas uz kļoķa turekļa. Ja rādītājs nav vērsts pret 45° leņķa atzīmi, pagrieziet kļoķa turekļa labajā pusē esošo 45° slīpenķa regulēšanas bultskrūvi, līdz rādītājs ir vērsts pret 45° leņķa atzīmi.

Lai noregulētu 45° slīpo leņķi, veiciet to pašu procedūru, kas norādīta iepriekš.

Att.52

Regulāri izņemiet un pārbaudiet ogles sukas. Kad ogles sukas ir nolietotājušās līdz 3 mm garumam, nomainiet tās. Rūpējieties, lai ogles sukas būtu tīras, un pārbaudiet, vai tās var brīvi ievietot turekļos. Abas ogles sukas ir jānomaina vienlaicīgi. Izmantojiet tikai identiskas ogles sukas.

Att.53

Noņemiet sukas turekļa vāciņus ar skrūvgrieža palīdzību. Izņemiet nolietotājušās ogles sukas, ievietojiet jaunas un nostipriniet sukas turekļa vāciņus.

Pēc ekspluatācijas

- Pēc ekspluatācijas ar lupatiņu vai ko līdztīgu no darbarīka notīriet tam pielīpušās skaidas un putekļus. Rūpējieties, lai asmens aizsargs būtu tīrs, ievērojot iepriekš minētajā sadaļā „Asmens aizsargs” minētos norādījumus. Slīdošās daļas ieeļļojiet ar mašīneļļu, lai tās nesarūsētu.
- Uzglabājot darbarīku, pilnībā pavelciet atbalstu pret sevi.

Lai saglabātu produkta DROŠU un UZTICAMU darbību, remontdarbus, apkopi un regulēšanu uzticiet veikt tikai Makita pilnvarotam apkopes centram un vienmēr izmantojiet tikai Makita rezerves daļas.

PAPILDU PIEDERUMI

⚠ BRĪDINĀJUMS:

- Šos piederumus vai papildierīces ieteicams izmantot kopā ar šajā rokasgrāmatā aprakstīto Makita darbarīku. Citu piederumu vai papildierīču izmantošana var radīt nopietnus ievainojumus.
- Piederumu vai papildierīces izmantojiet tikai tām paredzētajam mērķim. Piederumu vai papildierīču nepareiza lietošana var radīt nopietnus ievainojumus.

Ja jums vajadzīga palīdzība vai precīzāka informācija par šiem piederumiem, vērsieties savā tuvākajā Makita apkopes centrā.

- Zāģa asmeņi ar tērauda un karbīda uzgaļiem

Leņķzāģa asmeņi	Gludai un precīzai dažādu materiālu zāģēšanai.
Kombinācija	Vispārējā nolūka asmens ātrai un līdzenai griešanai, šķērsriezumiem un diagonāliem.
Šķērszāģēšana	Gludākai šķiedras šķērszāģēšanai. Nozāģē gludi pretēji šķiedras virzienam.
Smalki šķērsriezumi	Griezumiem pret šķiedru bez skaidām.
Krāsaino metālu leņķzāģa asmeņi	Leņķa zāģēšanai alumīnijam, varam, skārdam, caurulēm un citiem krāsainiem metāliem.

006526

- Apakšējais ierobežotājs R (labajā pusē)
- Skrūvspīļu montējums (horizontālās skrūvspīles)
- Vertikālās skrūvspīles

- Gala uzgriežņu atslēga ar seššķautņu uzgriežņatslēgu otrā galā
- Tureklis
- Putekļu maiss
- Lokveida savienojums
- Leņķmērs

PIEZĪME:

- Daži sarakstā norādītie izstrādājumi var būt iekļauti instrumenta komplektācijā kā standarta piederumi. Tie dažādās valstīs var būt atšķirīgi.

LIETUVIŲ KALBA (Originali naudojimo instrukcija)

Bendrasis aprašymas

1-1. Stabdiklio kaištis	22-1. Stabdiklio kaištis	38-1. 52/38 ° dekoratyvinio lubų karnizo tipas
2-1. Sraigčiai	23-1. Galinis raktas	38-2. 45 ° dekoratyvinio lubų karnizo tipas
3-1. Pjovimo disko apsauga	23-2. Pjovimo disko gaubtas	38-3. 45 ° dekoratyvinio skliautinio karnizo tipas
4-1. Pjovimo disko apsauga	23-3. Centrinis gaubtas	38-3. 45 ° dekoratyvinio skliautinio karnizo tipas
5-1. Sraigtas	23-4. Šešiakampis varžtas	39-1. Vidinis kampas
5-2. Prapjovimo plokštė	23-5. Pjovimo disko apsauga	39-2. Išorinis kampas
6-1. Pjovimo diskas	24-1. Pjovimo disko gaubtas	40-1. Kreiptuvas
6-2. Pjovimo disko dantys	24-2. Galinis raktas	40-2. Spaustuvas
6-3. Prapjovimo plokštė	24-3. Šešiakampis varžtas	40-3. Skėtiklio kaladėlė
6-4. Kairysis įstrižasis pjūvis	24-4. Rodyklė	40-4. Aliuminio išspaudimas
6-5. Tiesusis pjūvis	24-5. Ašies fiksatorius	40-5. Skėtiklio kaladėlė
6-6. Dešinysis įstrižasis pjūvis	25-1. Pjovimo disko gaubtas	41-1. Aliuminio išspaudimas
7-1. Reguliavimo varžtas	25-2. Rodyklė	41-2. Kreiptuvas
7-2. Sukiojamas pagrindas	25-3. Rodyklė	41-3. Skėtiklio kaladėlė
8-1. Sukiojamo pagrindo viršutinis paviršius	25-4. Pjovimo diskas	41-4. Horizontalus spaustuvas (pasirenkamas priedas)
8-2. Disko ašmenų pakraštys	26-1. Šešiakampis varžtas (su kairiuoju sriegiu)	42-1. Griovelių pjovimas disku
8-3. Kreiptuvas	26-2. Išorinė tarpinė	44-1. Šešiakampis varžtas
9-1. Fiksavimo rankena	26-3. Pjovimo diskas	44-2. Kreiptuvas
9-2. Reguliavimo varžtas	26-4. Žiedas	44-3. Rankena
10-1. Įžambioji skalė	26-5. Vidinis kraštas	45-1. Kreiptuvas
10-2. Rodyklė	26-6. Velenas	45-2. Trikampė liniuotė
10-3. Fiksavimo svirtelė	27-1. Galinis raktas	46-1. Sraigtas
10-4. Rankena	27-2. Pjovimo disko gaubtas	46-2. Rodyklė
11-1. Svirtelė	27-3. Centrinis gaubtas	46-3. Įžambioji skalė
12-1. Svirtelė	27-4. Šešiakampis varžtas	47-1. Svirtelė
12-2. Petys	27-5. Pjovimo disko apsauga	47-2. Petys
12-3. Rodyklė	28-1. Dulkių surenkamasis antgalis	48-1. 0 ° kampo reguliavimo varžtas
12-4. Įstrižoji skalė	28-2. Dulkių maišelis	48-2. Kairiojo 45 ° įstrižojo kampo reguliavimo varžtas
13-1. Svirtelė	28-3. Užsegimas	49-1. Trikampė liniuotė
14-1. Rodyklė	29-1. Atrama	49-2. Pjovimo diskas
14-2. Atlaisvinimo mygtukas	29-2. Sukiojamas pagrindas	49-3. Sukiojamo stalo viršutinis paviršius
14-3. Įstrižoji skalė	30-1. Slankiojamas kreiptuvas	50-1. Sraigtas
15-1. Fiksavimo varžtas	30-2. Suveržimo varžtas	50-2. Rodyklė
16-1. Atlaisvinimo mygtukas	31-1. Slankiojamas kreiptuvas	50-3. Įstrižoji skalė
16-2. Jungiklio spraktukas	32-1. Papildomas kreiptuvas „R“	51-1. Dešiniojo 45 ° įstrižojo kampo reguliavimo varžtas
16-3. Svirtelė	32-2. Varžtai	51-2. Kairiojo 45 ° įstrižojo kampo reguliavimo varžtas
16-4. Anga pakabinamai spynai	33-1. Spaustuvo rankena	53-1. Atsuktuvai
17-1. Atlaisvinimo mygtukas	33-2. Spaustuvo rankenėlė	53-2. Šepetėlio laikiklio dangtelis
17-2. Jungiklio spraktukas	33-3. Spaustuvo strypas	
17-3. Anga pakabinamai spynai	33-4. Sraigtas	
18-1. Lazerio jungiklis	33-5. Kreiptuvas	
20-1. Sausasis elementas	34-1. Spaustuvo plokštė	
21-1. Galinis raktas su kitame gale esančiu šešiakampiu veržliarakčiu	34-2. Spaustuvo veržlė	
21-2. Veržliarakčio laikiklis	34-3. Spaustuvo rankenėlė	
	36-1. Laikiklis	

SPECIFIKACIJOS

Modelis	LS1018 / LS1018L
Pjovimo disko skersmuo	255 mm - 260 mm
Disko korpuso storis	1,6 mm - 2,4 mm
Skylės skersmuo	
Visoms šalims, išskyrus Europos šalis	25,4 mm
Europos šalims	30 mm
Didž. pjovimo matmetys (A x P), kai skersmuo 260 mm	

Įžambusis kampas	Įstrižasis kampas		
	45° (kairysis)	0°	45° (dešinysis)
0°	50 mm x 310 mm	91 mm x 310 mm	31 mm x 310 mm
45°	50 mm x 220 mm	91 mm x 220 mm	31 mm x 220 mm
60° (dešinysis)	-	91 mm x 153 mm	-

Greitis be apkrovos (min ⁻¹)	4 300
Lazerio tipas (tik LS1018FL modeliui)	Raudonas lazeris 650 nm, < 1 mW (2 klasės lazeris)
Matmenys (l x P x A)	825 mm x 536 mm x 633 mm
Neto svoris	Visoms šalims, išskyrus Europos šalis.....19,8 kg Europos šalims.....19,9 kg
Saugos klasė	II

- Atliekame nepertraukiamus tyrimus ir nuolat tobuliname savo gaminius, todėl čia pateikiamos specifikacijos gali būti keičiamos be įspėjimo.
- Įvairiose šalyse specifikacijos gali skirtis.
- Svoris pagal Europos elektrinių įrankių asociacijos nustatytą metodiką „EPTA -Procedure 01/2003“

END222-4



Simboliai

Žemiau yra nurodyti įrangai naudojami simboliai. Prieš naudodami įsitikinkite, kad suprantate jų reikšmę.



- Perskaitykite instrukciją.



- DVGUBA IZOLIACIJA



- Saugodamiesi sužalojimų, kuriuos gali sukelti skriejančios atplaišos, baigę pjauti, pjūklą galvutę laikykite nuleidę, kol diskas visiškai sustos.



- Atlikdami slenkamąjį pjūvį, pirmiausiai iki galo patraukite vežimėlį ir nuspauskite rankeną žemyn, tada pastumkite vežimėlį kreipiamojo aptvaro link.
- Nekiškite rankų ir pirštų prie geležtės.



- Tinkamai nustatykite slankiojamas kreiptuvus atokiai nuo disko ir disko apsaugos.



- Atlikdami dešininį įstrižus pjūvius būtina išimkite PAPILDOMĄ APTVARĄ R. To nepadarę, operatorius gali sunkiai susižeisti.



- LAZERIO RADIACIJA: Nespoksokite į spindulį. Tiesioginis lazerio spindulys gali pažeisti Jūsų akis.

Tiktai ES valstybėms

Neišmeskite elektros įrangos į buitinius šiukšlynus!

Pagal ES direktyvą dėl naudotos elektros ir elektroninės įrangos ir jos įdiegimo pagal nacionalinius įstatymus, naudotą elektros įrangą būtina surinkti atskirai ir nugabenti antrinių žaliavų perdirimui aplinkai nekenksmingu būdu.

ENE006-1

Paskirtis

Šis įrankis skirtas tiksliai tiesiam ir kūginiam medienos pjovimui. Naudojant reikiamas pjūklą geležtes, galima pjauti ir aliuminį.

ENF002-2

Maitinimo šaltinis

Šį įrankį reikia jungti tik prie tokio maitinimo šaltinio, kurio įtampa atitinka nurodytąją įrankio duomenų plokštelėje; galima naudoti tik vienfazį kintamosios srovės maitinimo šaltinį. Jie yra dvigubai izoliuoti, todėl gali būti naudojami prijungus prie elektros lizdų be atžeminimo laido.

ENG905-1

Triukšmas

Tipiškas A svertinis triukšmo lygis nustatytas pagal EN61029:

- Garso slėgio lygis (L_{PA}): 97 dB (A)
- Garso galios lygis (L_{WA}): 103 dB (A)
- Paklaida (K): 3 dB (A)

Dėvėkite ausų apsaugas

Vibracija

Vibracijos bendroji vertė (trijų ašių vektorinė suma) nustatyta pagal EN61029:

Vibracijos emisija (a_w): 2,5 m/s² arba mažiau
Paklaida (K) : 1,5 m/s²

- Paskelbtasis vibracijos emisijos dydis nustatytas pagal standartinį testavimo metodą ir jį galima naudoti vienam įrankiui palyginti su kitu.
- Paskelbtasis vibracijos emisijos dydis taip pat gali būti naudojamas preliminariai įvertinti vibracijos poveikį.

⚠️ ĮSPĖJIMAS:

- Faktiškai naudojant elektrinį įrankį, keliamos vibracijos dydis gali skirtis nuo paskelbtojo dydžio, priklausomai nuo būdų, kuriais yra naudojamas šis įrankis.
- Siekiant apsaugoti operatorių, būtina įvertinkite saugos priemones, remdamiesi vibracijos poveikio įvertinimu esant faktinėms naudojimo sąlygoms (atsižvelgdami į visas darbo ciklo dalis, pavyzdžiui, ne tik kiek laiko įrankis veikia, bet ir kiek kartų jis yra išjungiamas bei kai jis veikia be apkrovų).

Tik Europos šalims

ES atitikties deklaracija

Bendrovė „Makita“ atsakingai pareiškia, kad šis įrenginys (-iai):

Mechanizmo paskirtis:

Kombinuotas nuleidžiamas skersavimo ir kampų suleidimo pjūklas

Modelio Nr./ tipas: LS1018, LS1018L

Atitinka šias Europos direktyvas:

2006/42/EC

Yra pagaminti pagal šį standartą arba normatyvinius dokumentus:

EN61029

Techninį dokumentą pagal 2006/42/EB galima gauti iš:

Makita, Jan-Baptist Vinkstraat 2, 3070, Belgium (Belgija)

30.5.2014



000331

Yasushi Fukaya
Direktorius

Makita, Jan-Baptist Vinkstraat 2, 3070, Belgium (Belgija)

Bendrieji perspėjimai darbui su elektriniais įrankiais

⚠️ **ĮSPĖJIMAS** Perskaitykite visus saugos įspėjimus ir instrukcijas. Nesilaikydami žemiau pateiktų įspėjimų ir instrukcijų galite patirti elektros smūgį, gaisrą ir/arba sunkų sužeidimą.

Išsaugokite visus įspėjimus ir instrukcijas, kad galėtumėte jas peržiūrėti ateityje.

ĮSPĖJIMAI DĖL KAMPŲ SULEIDIMO PJŪKLO SAUGOS

1. Žiūrėkite, kad rankos būtų kuo toliau nuo pjūklo geležtės tako. Venkite sąlyčio su bet kokia iš inercijos judančia geležte. Ji gali sunkiai sužeisti.
2. Prieš pradėdami naudoti, patikrinkite pjovimo diską, ar jis neįtrūkęs arba nedeformuotas.
3. Apgadintus diskus tuoj pat pakeiskite naujais.
4. Pakeiskite įpjovos plokštę, kai ši nusidėvės.
5. Naudokite tik gamintojo nurodytus pjovimo diskus, atitinkančius standartą EN847-1.
6. Nenaudokite pjūklo geležčių, pagamintų iš greitapjovio plieno.
7. Naudokite akių apsaugines priemones.
8. Dėvėkite klausos apsaugos priemones, kad sumažintumėte pavojų prarasti klausą.
9. Imdami pjovimo diskus ir žaliavas, mūvėkite pirštines (pjovimo diskai, jei tik įmanoma, turėtų būti nešami dėkluose).
10. Pjovimo metu prijunkite kūginius pjūklus prie dulkių rinktuvo.
11. Pjūklo geležtės rinkitės, atsižvelgdami į medžiagą, kurią pjausite.
12. Pjūklą naudokite tik medžiui, aliuminiui ir kitoms panašioms medžiagoms pjauti.
13. Prieš nešdami įrankį, būtina užtvirtinkite visas judamas dalis. Keldami arba nešdami įrankį, nenaudokite jo apsauginio gaubto vietoj rankenos.
14. Nenaudokite pjūklo, jei apsauginiai įtaisai nėra įtvirtinti. Prieš kiekvieną naudojimą patikrinkite, ar apsauginis geležtės įtaisas tinkamai užsidaro. Nenaudokite pjūklo, jei apsauginis geležtės įtaisas nejuda laisvai ir neužsidaro iš karto. Jokiu būdu neužfiksuokite ir nepririškite apsauginio geležtės įtaiso atviroje padėtyje.
15. Ant grindų neturi būti birių medžiagų, pvz., skiedrų ir nuopjovų.
16. Naudokite tik tuos pjovimo diskus, ant kurių nurodytas maksimalus sukimosi greitis prilygsta arba viršija ant įrankio nurodytą sukimosi greitį be apkrovos.

16. Jeigu įrankyje įrengtas lazeris arba šviesos diodas, nekeiskite jo kitokio tipo lazeriu arba šviesos diodu. Dėl remonto kreipkitės į įgaliotąjį techninės priežiūros centrą.
17. Iš pjovimo zonos nerinkite jokių nuopjovų ar kitų ruošinio dalių, kol įrankis veikia ir jo pjovimo diskas nėra uždengtas apsauginiu gaubtu.
18. Jokių veiksmų neatlikite ranka. Atliekant bet kokius veiksmus, ruošinys turi būti gerai pritvirtintas prie sukamojo pagrindo ir kreipiamojo aptvaro spaustuvais. Draudžiama įtvirtinti ruošinį rankomis.
19. Prieš pradėdami kiekvieną pjūvį, patikrinkite, ar įrankis yra stabilus.
20. Jeigu reikia, pritvirtinkite įrankį prie darbatalio.
21. Ilgus ruošinius paremkite tinkamomis papildomomis atramomis.
22. Niekada nepjaukite mažų ruošinių, kurių neįmanoma tvirtai suspausti spaustuvais. Netinkamai laikant ruošinį, gali įvykti atatranka ir galite būti sunkiai sužeisti.
23. Jokių būdu netieskite rankos už pjūklo geležtės.
24. Prieš perkeldami ruošinį arba keisdami nustatymus, išjunkite įrankį ir palaukite, kol pjūklo geležtė sustos.
25. Prieš keisdami geležtę ar atlikdami techninės priežiūros darbus, išjunkite įrankį iš elektros tinklo.
26. Stabdymo kaištis, užfiksuojantis pjoviklio galvutę, skirtas tik perkėlimo ir saugojimo tikslams, juo negalima pjauti.
27. Nenaudokite šio įrankio šalia degių skysčių arba dujų. Elektriniam įrankiui veikiant šalia degių skysčių arba dujų, gali kilti sproginas ir gaisras.
28. Naudokite tik šiam įrankiui nurodytas junges.
29. Saugokitės, kad nepažeistumėte veleno, jungių (ypač montavimo paviršiaus) ar varžto. Dėl šių dalių pažeidimų gali lūžti geležtė.
30. Įsitinkite, kad sukamasis pagrindas gerai pritvirtintas ir nejudės darbo metu.
31. Prieš pradėdami darbą, rūpindamiesi savo saugumu, pašalinkite nuolaužas, daleles ir pan. nuo stalo paviršiaus.
32. Nepjaukite vinių. Prieš dirbdami apžiūrėkite ruošinį ir išimkite visas vinis.
33. Prieš įjungdami jungiklį, įsitinkite, kad ašies fiksatorius neužfiksuotas.
34. Patikrinkite, ar geležtė neliečia sukamojo pagrindo apatinėje padėtyje.
35. Tvirtai laikykite rankeną. Saugokitės, nes pjūklas darbo pradžios ir pabaigos metu truputį pajuda aukštyn ar žemyn.
36. Prieš įjungdami jungiklį, patikrinkite, ar geležtė neliečia ruošinio.
37. Prieš naudodami įrankį su ruošiniu, leiskite jam kurį laiką veikti be apkrovos. Atkreipkite dėmesį į vibraciją arba klibėjimą - tai reiškia, kad įrankis netinkamai sumontuotas, arba kad geležtė blogai subalansuota.
38. Prieš pjudami palaukite, kol geležtė įsibėgės visu greičiu.
39. Pastebėję ką nors neįprasto, tučtuojau nutraukite darbą.
40. Nemėginkite užfiksuoti gaiduko, kai įrankis yra įjungtas.
41. Visada būkite budrūs, ypač kai atliekate pasikartojančius monotoniškus veiksmus. Nepasiduokite apgaulingam saugumo jausmui. Geležtės gali padaryti didžiulės žalos.
42. Naudokite tik šioje instrukcijoje rekomenduojamus priedus. Naudojant netinkamus priedus, pvz., šlifavimo diskus, galima susižeisti.
43. Būkite atsargūs darydami įpjovas.
44. Tam tikrose darbo metu atsirandančiose dulksėse yra cheminių medžiagų, kurios sukelia vėžį, apsigimimus ir įvairius žmogaus reprodukcinės sistemos sutrikimus. Keli tokių medžiagų pavyzdžiai:
 - Švinas, esantis švino pagrindu pagamintais dažais dažytose medžiagose, ir chromas, esantis chemiškai apdorotoje medienoje.
 - Kuo dažniau dirbate tokius darbus, tuo didesnis šių medžiagų keliamas pavojus. Norėdami sumažinti tokių cheminių medžiagų keliamus pavojus, dirbkite gerai vėdinamose patalpose ir naudokite patvirtintas apsaugines priemones, pvz., kaukes, saugančias nuo dulkių, kurios specialiai sukurtos mikroskopinėms dalelėms sulaukyti.
45. Siekdami sumažinti skleidžiamą triukšmą, pasirūpinkite, kad geležtė būtų aštri ir švari.
46. Operatorius turi būti pakankamai apmokytas naudotis mašina, ją taisyti ir eksploatuoti.

SAUGOKITE ŠIAS INSTRUKCIJAS.

⚠️ ĮSPĖJIMAS:

NELEISKITE, kad patogumas ir gaminio pažinimas (įgyjamas pakartotinai naudojant) susilpnintų griežtą saugos taisyklių, taikytinų šiam gaminiui, laikymąsi. Dėl NETINKAMO NAUDOJIMO arba saugos taisyklių nesilaikymo, kurios pateiktos šioje instrukcijoje galima rimtai susižeisti.

SUMONTAVIMAS

Staklių sumontavimas

Pav.1

Įrankį transportuojant, jo rankenėlė fiksavimo smaigu užfiksuojama apatinėje padėtyje. Ištraukite fiksavimo smaigą, tuo pat metu nestipriai nuspausdami rankenėlę žemyn ir traukdami fiksavimo smaigą.

Pav.2

Ši įrankį reikia prisukti keturiais varžtais prie lygaus, stabilaus paviršiaus, įsukant juos į įrankio pagrinde varžtams padarytas skylės. Tai neleis įrankiui pasvirti ir sukelti sužeidimo pavojų.

VEIKIMO APRAŠYMAS

⚠️ĮSPĖJIMAS:

- **Prieš pradėdami reguliuoti arba tikrinti įrankio veikimą, visuomet būtinai išjunkite įrankį ir atjunkite jį nuo maitinimo tinklo.** Neišjungus įrankio ir neatjungus jo nuo maitinimo tinklo, galima sunkiai susižeisti dėl atsitiktinio įrankio įjungimo.

Pjovimo disko apsauga

Pav.3

Nuleidus rankenėlę, pjovimo disko apsauga pakyla automatiškai. Apsaugoje įrengta spyruoklė, kuri, baigus pjauti ir pakėlus rankenėlę, sugrąžina apsaugą į pradinę padėtį.

⚠️ĮSPĖJIMAS:

- **Niekada neužblokuokite ir nenuimkite disko apsaugos arba ją tvirtinančios spyruoklės.** Užblokavus apsaugą, darbo metu galima sunkiai susižeisti į neuždengtą diską.

Savo pačių saugumui, visada palaikykite gerą pjovimo disko apsaugos būklę. Bet kokį nenormalų apsaugos veikimą reikia tuoj pat pataisyti. Patikrinkite spyruoklę, ar ji gali sugrąžinti apsaugą į pradinę padėtį.

⚠️ĮSPĖJIMAS:

- **Niekada nenaudokite šio įrankio, jei disko apsauga arba spyruoklė yra pažeistos, sugadintos arba nuimtos.** Naudojant įrankį su pažeista, sugadinta arba nuimta apsauga, galima sunkiai susižeisti.

Jeigu permatoma pjovimo disko apsauga susitepa arba prie jos prilimpa pjūvenos ir pjovimo disko ir (arba) ruošinio negalima lengvai įžiūrėti, išjunkite pjūklą ir maitinimo tinklo ir kruopščiai nuvalykite apsaugą drėgnu skudurėliu. Plastmasinės apsaugos negalima valyti tirpikliais arba naftos pagrindu pagamintais valikliais, nes šios medžiagos gali pažeisti apsaugą.

Jeigu pjovimo disko apsauga susitepa ir, norint tinkamai naudoti įrankį, ją reikia nuvalyti, atlikite šiuos veiksmus: Išjungę įrankį ir atjungę jį nuo maitinimo tinklo, naudodami pateiktą galinį raktą, atsukite šešiakampį varžtą, laikantį centrinį gaubtą. Atsukite šešiakampį varžtą, sukdami jį prieš laikrodžio rodyklę, ir pakelkite pjovimo disko apsaugą bei centrinį gaubtą

Pav.4

Kai pjovimo disko apsauga yra tokioje padėtyje, valymą galima atlikti kruopščiau ir efektyviau. Pabaigę valyti, atlikite veiksmus atvirkštine tvarka ir užveržkite varžtą. Nenuimkite pjovimo disko apsaugą laikančios spyruoklės. Jeigu laikui bėgant arba dėl ultravioletinių

spindulių poveikio apsauga prarastų skaidrumą, susisieki su „Makita“ techninio aptarnavimo tarnyba, kad įsigytumėte naują apsaugą. **NEIŠJUNKITE IE NENUIMKITE APSAUGOS.**

Prapjovimo plokštės nustatymas

Pav.5

Pav.6

Šio įrankio sukiojamame pagrinde įrengtos prapjovimo plokštės, kurios sumažina iki minimumo pjūvio išėjimo pusės plėšimą. Prapjovimo plokštės gamykloje nustatytos taip, kad pjovimo disko jų neliestų. Prieš naudojimą, pareguliuokite prapjovimo plokštes:

Pirmiausia atjunkite įrankį nuo elektros tinklo. Atsukite visus varžtus (po 3 iš kairės ir dešinės pusės), laikančius prapjovimo plokštes. Priveržkite prapjovimo plokštes tiek, kad jas galima būtų lengvai pasukti rankomis. Iki galo nuleiskite rankenėlę ir užfiksukite ją apatinėje padėtyje, įspausdami fiksatoriaus smaigą. Atlaisvinkite varžtą, laikantį slankiojamus strypus. Iki galo link savęs patraukite suportą. Nustatykite prapjovimo plokštes taip, kad jos tik liestų pjovimo disko dantų šonus. Užsukite priekinius varžtus (tačiau tvirtai neužveržkite jų). Iki galo stumkite suportą link kreipiamojo užtvaro ir nustatykite prapjovimo plokštes taip, kad jos tik liestų pjovimo disko dantų šonus. Užsukite galinius varžtus (tačiau tvirtai neužveržkite jų).

Nustatę prapjovimo plokštes, ištraukite fiksavimo smaigą ir pakelkite rankenėlę. Po to tvirtai užveržkite visus varžtus.

PASTABA:

- **Nustatę įstrižą kampa, būtinai patikrinkite, ar tinkamai nustatytos prapjovimo plokštės.** Tinkamai nustatčius prapjovimo plokštes, ruošinys bus tinkamai atremtas ir maksimaliai sumažės galimybė išplėsti ruošinį.

Maksimalaus pjovimo pajėgumo palaikymas

Šis įrankis gamykloje nustatytas maksimaliam pjovimo pajėgumui naudojant 255 mm pjovimo diską.

Prieš atlikdami bet kokius reguliavimo darbus, būtinai atjunkite įrankį nuo maitinimo tinklo. Montuodami naują pjovimo diską, visada patikrinkite apatinę ribinę disko padėtį ir, jeigu reikia, pareguliuokite ją tokiu būdu:

Pav.7

Pav.8

Pirmiausia atjunkite įrankį nuo elektros tinklo. Iki galo stumkite suportą link kreipiamojo užtvaro ir visiškai nuleiskite rankenėlę. Šešiakampių veržliarakčių sukite reguliavimo varžtą tol, kol peilio pakraštys truputį nusileis žemiau sukiojamo pagrindo paviršiaus tame taške, kur kreipiamojo užtvaro priekis liečiasi su sukiojamo pagrindo viršutiniu paviršiumi.

Neįjungdami įrankio, sukite pjovimo diską ranka, laikydami iki galo nuspaustą rankenėlę, kad patikrintumėte, ar pjovimo diskas neliečia jokios apatiniam pagrinde esančios dalies. Jeigu reikia, dar truputį pareguliuokite.

⚠️ ĮSPĖJIMAS:

- **Sumontavę naują plovimo diską, neįjungdami įrankio, visada patikrinkite, ar visiškai nuleidus rankenėlę, plovimo diskas neliečia jokios apatiniam pagrinde esančios dalies.** Jeigu diskas liečia pagrindą, gali įvykti atatranka, galinti sukelti sunkų sužalojimą.

Fiksavimo rankena

Pav.9

Apatinę ribinę plovimo disko padėtį galima lengvai nustatyti, naudojant fiksavimo rankeną. Norėdami ją nustatyti, sukite fiksavimo rankeną rodyklės kryptimi, kaip parodyta piešinyje. Pareguliuokite reguliavimo varžtą taip, kad visiškai nuleidus rankenėlę, plovimo diskas sustotų norimoje padėtyje.

Įžambaus kampo nustatymas

Pav.10

Atlaisvinkite rankeną, sukdami prieš laikrodžio rodyklę. Pasukite sukiojamą pagrindą, spausdami fiksavimo svirtelę žemyn. Pasukę rankeną į tokią padėtį, kurioje rodyklė ant įstrižo kampo skalės rodo norimą kampą, tvirtai priveržkite rankeną, sukdami ją pagal laikrodžio rodyklę.

⚠️ DĖMESIO:

- Pakeitę įžambųjį kampa, visuomet užtvirtinkite sukiojamą pagrindą, tvirtai užverždami rankeną.

PASTABA:

- Sukdami sukiojamą pagrindą, rankenėlė turi būti iki galo pakelta.

Įstrižo kampo nustatymas

Pav.11

Norėdami nustatyti įstrižą kampa, atlaisvinkite įrankio gale esančią svirtelę, sukdami prieš laikrodžio rodyklę. Atfiksukite rankeną, stiprokai stumdami ją ta kryptimi, į kurią norite pakreipti pjūklo peilį.

PASTABA:

- Svirčių galima nustatyti įvairiai kampais, atsukant svirtį laikantį varžtą ir užfiksuoiant svirtį norimu kampu.

Pav.12

Kreipkite plovimo diską tol, kol rodyklė ant įstrižos skalės rodys norimą kampą. Po to, norėdami užtvirtinti rankeną, užveržkite svirtelę, sukdami ją pagal laikrodžio rodyklę.

Pav.13

Pakreipdami suportą į dešinę, atlaisvinkite svirtį, paspauskite atlaisvinimo mygtuką ir truputį pakreipkite suportą į kairę. Laikydami nuspaudę atlaisvinimo mygtuką, pakreipkite suportą į dešinę.

Pav.14

Kreipkite plovimo diską tol, kol rodyklė ant įstrižos skalės rodys norimą kampą. Po to, norėdami užtvirtinti rankeną, užveržkite svirtelę, sukdami ją pagal laikrodžio rodyklę.

- Keisdami įstrižus kampus, atitinkamai nustatykite praplovimo plokštes, kaip paaiškinta skyriuje „Praplovimo plokščių nustatymas“.

⚠️ DĖMESIO:

- Keisdami įstrižą kampa, visada užtvirtinkite raneną, užverždami svirtelę paga laikrodžio rodyklę.

PASTABA:

- Pakreipiant pjūklo diską, rankenėlė turi būti iki galo pakelta.
- Keisdami įstrižus kampus, atitinkamai nustatykite praplovimo plokštes, kaip paaiškinta skyriuje „Praplovimo plokščių nustatymas“.

Slankiojo fiksatoriaus reguliavimas

Pav.15

Norėdami užfiksuoti slankiojamą strypą, pasukite fiksavimo varžtą pagal laikrodžio rodyklę.

Jungiklio veikimas

Europos šalims

Pav.16

Kad gaidukas nebūtų atsitiktinai nuspaustas, yra atlaisvinimo mygtukas. Norėdami įjungti įrankį, svirtelę į kairę, spauskite atlaisvinimo mygtuką, po to spauskite gaiduką. Norėdami išjungti, atleiskite gaiduką.

⚠️ ĮSPĖJIMAS:

- **Prieš jungdami įrenginį visada patikrinkite, ar svirtinis jungiklis gerai įsijungia, o atleistas grįžta į padėtį OFF (išjungta). Negalima stipriai spausti jungiklio gaiduko, nenuspaudus atlaisvinimo mygtuko. Taip galima sugadinti jungiklį.** Naudojant įrankį su netinkamai įjungtu jungikliu, galima prarasti kontrolę ir sunkiai susižeisti.

Svirtiniame jungiklyje yra anga pakabinamai spynai įrankiui užrakinti.

Visoms šalims, išskyrus Europos šalis

Pav.17

Kad gaidukas nebūtų atsitiktinai nuspaustas, yra atlaisvinimo mygtukas. Norėdami įjungti įrankį, spauskite atlaisvinimo mygtuką ir nuspauskite gaiduką. Norėdami sustabdyti, atleiskite gaiduką.

⚠️ ĮSPĖJIMAS:

- **Prieš jungdami įrenginį visada patikrinkite, ar svirtinis jungiklis gerai įsijungia, o atleistas grįžta į padėtį OFF (išjungta). Negalima stipriai spausti jungiklio gaiduko, nenuspaudus atlaisvinimo mygtuko. Taip galima sugadinti jungiklį.** Naudojant įrankį su netinkamai įjungtu jungikliu, galima prarasti kontrolę ir sunkiai susižeisti.

Svirtiniame jungiklyje yra anga pakabinamai spynai įrankiui užrakinti.

⚠️ISPĖJIMAS:

- **Nenaudokite fiksatoriaus su jungiamuoju galu arba kabeliu, kurio skersmuo yra mažesnis nei 6,35 mm.** Mažesnis jungiamasis galas arba kabelis gali netinkamai užfiksuoti įrankį išjungimo padėtyje, o netyčia įjungus įrankį, galima sunkiai susižeisti.
- **NIEKADA nenaudokite įrankio, jei jo svirtinis jungiklis veikia netinkamai.** Bet koks įrankis, kurio jungiklis neveikia, yra NEPAPRASTAI PAVOJINGAS; prieš toliau naudodami tokį įrankį, būtinai jį pataisykite, kitaip galite sunkiai susižeisti.
- Jūsų pačių saugumui šiame įrankyje įrengtas atlaisvinimo mygtukas, kuris neleidžia netyčia įjungti įrankio. NIEKADA nenaudokite veikiančio įrankio, jeigu nuspaudėte tik gaiduką, nenuspaudę atlaisvinimo mygtuko. Jungiklis, kurį reikia taisyti, gali netyčia įjungti įrankį ir operatorius gali būti sunkiai sužeistas. PRIEŠ pradėdami vėl naudoti įrankį, atiduokite jį suremontuoti į „Makita“ techninio aptarnavimo centrą.
- NIEKADA neužkljuokite atlaisvinimo mygtuko lipnia juostele ir nepanaikinkite jo funkcijos kitomis priemonėmis. Jungiklis, kurio atlaisvinimo mygtukas yra užblokuotas, gali netyčia įjungti įrankį ir operatorius gali būti sunkiai sužeistas.

Elektroninė funkcija

Tolygaus įjungimo funkcija

- Ši funkcija leidžia sklandžiai paleisti įrankį, apribojant sukimo momentą paleidimo metu.

Lazerio spindulio veikimas

Tik modeliui LS1018L

PASTABA:

- Prieš pradėdami naudoti pirmą kartą, elementų dėžėje sumontuokite du AA tipo sausuosius elementus. Kaip montuoti, žr. skyrių „Sausųjų lazerio įtaiso elementų pakeitimas“.

⚠️DĖMESIO:

- Jeigu nenaudojate, būtinai išjunkite lazerį

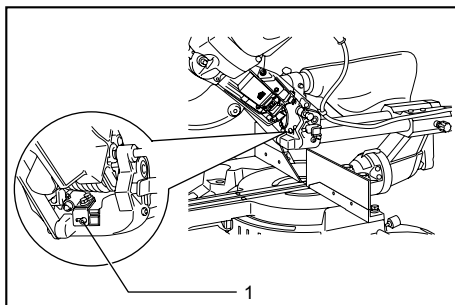
Pav.18

⚠️DĖMESIO:

- Niekada nežiūrėkite į lazerio spindulį. Tiesioginis lazerio spindulys gali pažeisti Jūsų akis.
- LAZERIO RADIACIJA: NEŽIŪRĖKITE Į SPINDULĮ; 2 KLASĖS LAZERINIS GAMINYS.
- Prieš pakeisdami lazerio spindulio kryptį arba prieš atlikdami techninės priežiūros arba reguliavimo darbus, būtinai išjunkite įrankį iš maitinimo tinklo.

Norėdami įjungti lazerio spindulį, spauskite jungiklio viršutinę dalį (I). Norėdami išjungti lazerio spindulį, paspauskite apatinę jungiklio dalį (0).

Lazerio spindulį galima nustatyti pjūklo disko kairėje arba dešinėje pusėje, atlaisvinant varžtą, laikantį lazerio įtaiso dėžutę ir perkeltiant ją pageidaujama kryptimi. Pakeitę, būtinai tvirtai priveržkite varžtą.



1. Varžtas, laikantis lazerio korpuso dėžutę

010473

Lazerio linija gamykloje nustatyta 1 mm atstumu nuo peilio šoninio paviršiaus (pjovimo padėtis).

PASTABA:

- Kai lazerio spindulys neryškus ir prastai matomas dėl tiesioginių saulės spindulių, pasirinkite kitą darbo vietą, kuri nebus apšviesta tiesioginiais saulės spinduliais.

Sausųjų lazerio įtaiso elementų pakeitimas

Pav.19

Pav.20

Slinkdami ir spausdami, nuimkite sausųjų lazerio įtaiso elementų dangtelį. Išimkite senus sausuosius elementus ir įdėkite naujus, kaip parodyta paveikslėlyje. Pakeitę, vėl uždenkite dangtelį.

Lazerinės lempos lęšių valymas

Jeigu lazerinės lempos lęšiai užteršiami arba prie jų prilimpa pjuvenos ir lazerio linijos nesimato, išjunkite stakles iš maitinimo tinklo, nuimkite ir atsargiai nuvalykite lazerinės lempos lęšius drėgnu minkštu skudurėliu. Lęšių negalima valyti tirpikliais arba naftos pagrindu pagamintais valikliais.

PASTABA:

- Kai lazerio spindulys silpnas ir, dirbant patalpoje arba lauke, dėl tiesioginių saulės spindulių beveik arba visiškai nematomas, pasirinkite kitą darbo vietą, kuri nebus apšviesta tiesioginiais saulės spinduliais.

SURINKIMAS

⚠️ISPĖJIMAS:

- **Prieš pradėdami reguliuoti arba tikrinti įrankio veikimą, visuomet būtinai išjunkite įrankį ir atjunkite jį nuo maitinimo tinklo.** Neišjungus įrankio ir neatjungus jo nuo maitinimo tinklo, galima sunkiai susižeisti dėl atsitiktinio įrankio įjungimo.

Galinio rakto su kitame gale esančiu šešiakampių veržliarakčių laikymo vieta

Pav.21

Galinis raktas saugomas, kaip parodyta piešinyje. Jeigu reikia panaudoti galinį raktą, ištraukite jį iš rakto laikiklio. Panaudoję galinį raktą, gražinkite jį į rakto laikiklį.

Ašmenų įdėjimas ir išėmimas

⚠️ ĮSPĖJIMAS:

- **Prieš montuodami arba nuimdami diską, visuomet būtinai išjunkite įrankį ir atjunkite jį nuo maitinimo tinklo.** Netyčia paleidus įrankį, galima sunkiai susižeisti.
- **Diskui montuoti arba nuimti naudokite tik pateiktą galinį raktą „Makita“.** Nenaudojant šio rakto, šešiakampis varžtas gali būti perveržtas arba nepakankamai priveržtas, o tai gali sąlygoti sunkų susižeidimą.

Pav.22

Stumdami fiksavimo smaigą, užfiksuokite rankenėlę iškeltoje padėtyje.

Pav.23

Norėdami nuimti diską, galiniu raktu atlaisvinkite šešiakampį varžtą, laikantį centrinį gaubtą, sukdami prieš laikrodžio rodyklę. Atkelkite disko apsaugą ir atidinkite centrinį gaubtą.

⚠️ ĮSPĖJIMAS:

- **Neišsukite jokių kitų varžtų, išskyrus tą šešiakampį varžtą, kuris yra pavaizduotas.** Jeigu suklydę išsuktumėte kitą varžtą ir pjovimo disko apsauga nukristų, būtinai vėl sumontuokite pjovimo disko apsaugą.

Pav.24

Norėdami užfiksuoti veleną, įspauskite veleno fiksatorių, galiniu raktu atlaisvinkite šešiakampį varžtą, sukdami jį pagal laikrodžio rodyklę. Po to ištraukite šešiakampį varžtą, nuimkite išorinį antbriaunį ir peilį.

PASTABA:

- Jeigu nuėmėte vidinę jungę, būtinai vėl ją uždėkite ant veleno, jos iškyšą nukreipę atokiai nuo veleno. Jeigu jungę sumontuosite netinkamai, ji trinsis į stakles.

⚠️ ĮSPĖJIMAS:

- **Prieš montuodami diską ant veleno, tarp vidinės ir išorinės jungių visuomet būtinai naudokite žiedą, kuris atitiktų disko, kurį ketinate naudoti, vidinę angą.** Naudojant netinkamo skersmens žiedą vidinei angai, diskas gali būti sumontuotas netinkamai, todėl jis gali judėti ir sukelti stiprią vibraciją, dėl kurios dirbant galima prarasti kontrolę ir sunkiai susižeisti.

Pav.25

Norėdami sumontuoti peilį, atsargiai uždėkite jį ant veleno, patikrindami, ar ant peilio paviršiaus esanti rodyklė sutampa su ant peilio gaubto esančios rodyklės kryptimi.

Uždėkite išorinį antbriaunį ir uždėkite šešiakampį varžtą, po to, spausdami veleno fiksatorių, (kaire ranka) galiniu raktu tvirtai užveržkite šešiakampį varžtą, sukdami prieš laikrodžio rodyklę.

Pav.26

⚠️ DĖMESIO:

- Gamykloje ant veleno sumontuotas žiedas, kurio išorinis skersmuo yra 25,4 mm arba 30 mm. Prieš uždėdami pjovimo diską ant veleno, būtinai patikrinkite, ar ant ašies užmontuotas tinkamas pasirinktam darbui žiedas, skirtas pjovimo disko ašies skylei.

Uždėkite išorinį antbriaunį ir šešiakampį varžtą, po to, spausdami veleno fiksatorių, galiniu raktu tvirtai užveržkite šešiakampį varžtą, sukdami prieš laikrodžio rodyklę.

Pav.27

Gražinkite pjovimo disko apsaugą ir centrinį gaubtą į jų pradinę padėtį. Tuomet tvirtai užveržkite šešiakampį varžtą, laikantį centrinį gaubtą, sukdami pagal laikrodžio rodyklę. Stumdami fiksavimo smaigą, atlaisvinkite rankenėlę iš iškeltos padėties. Norėdami įsitikinti, ar tinkamai juda pjovimo disko apsauga, nuleiskite rankenėlę. Prieš pradėdami pjauti, patikrinkite, ar veleno fiksatorius atlaisvino ašį.

Dulkių maišelis (papildomas priedas)

Pav.28

Naudojant maišelį dulkiams, pjovimo darbai atliekami švariau, o dulkes lengva surinkti. Norėdami pritvirtinti dulkių maišelį, užmaukite jį ant dulkių antgalio. Kai dulkių maišelis pripildomas maždaug iki pusės, nuimkite jį nuo įrankio ir ištraukite sklendę. Išpilkite maišelio turinį, lengvai jį patapšnodami, kad nukristų visos prie vidinių sienelių prilipę dalelės, kurios galėtų sukliudyti tolesniam dulkių surinkimui.

PASTABA:

Jeigu prie šio pjovimo įrankio prijungiate dulkių siurbį, darbus galima atlikti švariau.

Ruošinio pritvirtinimas

⚠️ ĮSPĖJIMAS:

- **Nepaprastai svarbu visuomet tinkamai įtvirtinti ruošinį, naudojant tinkamos rūšies spaustuvus arba specialius fiksatorius.** Nesilaikant šio nurodymo, galima sunkiai susižeisti ir sugadinti įrankį ir (arba) ruošinį.
- **Pabaigę pjauti, neatkelkite pjovimo disko tol, kol diskas visiškai nesustos.** Atkėlus besisukantį diską, galima sunkiai susižeisti ir sugadinti ruošinį.

- **Pjaunant ruošinį, kuris yra ilgesnis nei atraminis pjovimo įrankio pagrindas, jį reikia atremti per visą jo ilgį, esantį už atraminio pagrindo, tame pačiame aukštyje, kad ruošinys būtų horizontalus.** Tinkama ruošinio atrama padės išvengti disko suspaudimo ruošinyje ir galimos atatrankos, kuri gali sąlygoti sunkų susižeidimą. Norėdami pritvirtinti ruošinį, nepasikliaukite vien tik vertikaliais ir (arba) horizontaliais spaustuvais. Plonas ruošinys linkęs įlinkti. Norėdami išvengti pjovimo disko sužnybimo ir galimos ATATRANKOS, paremkite ruošinį per visą jo ilgį.

Pav.29

Kreiptuvo (SLANKIOJO KREIPTUVO) reguliavimas

Pav.30

⚠️ĮSPĖJIMAS:

- Prieš pradėdami naudoti įrankį, patikrinkite, ar tvirtai užtvirtintas slankiojamas kreiptuvas.
- **Prieš pradėdami įstrižai pjovimą, patikrinkite, ar visiškai nuleidus ir keliant rankenėlę į bet kokią padėtį ir iki galo traukiant arba stumiant suportą, jokia įrankio dalis neliečia jokios įrankio dalies, ypač disko.** Jeigu įrankis arba diskas liečia kreiptuvą, gali įvykti atatranka arba ruošinys gali netikėtai pasislinkti ir sunkiai sužaloti operatorių.

Pav.31

⚠️DĖMESIO:

- Atlikdami įstrižus pjūvius, nustatykite ir priveržkite slankiojamą kreiptuvą kairiojoje padėtyje, kaip parodyta paveikslėlyje. Nes kitaip ji liesis prie pjovimo disko arba kitos įrankio dalies, o tai gali baigtis sunkiu operatoriaus sužeidimu.

Šiame įrankyje sumontuotas slankiojamas kreiptuvas, kurį reikia tinkamai sumontuoti, kaip parodyta paveikslėlyje.

Tačiau atlikdami kairiuosius įstrižus pjūvius, jei įrankio galvutė jį liečia, nustatykite jį į kairiąją padėtį, kaip parodyta paveikslėlyje.

Atlikę įstrižus pjūvius, nepamirškite gražinti slankiojamo kreiptuvo į pradinę padėtį ir tvirtai jo priveržti fiksavimo varžtu.

Papildomas kreiptuvas „R“

⚠️ĮSPĖJIMAS:

- Prieš pradėdami naudoti įrankį, patikrinkite, ar tvirtai užtvirtintas papildomas kreiptuvas „R“.
- Prieš atlikdami dešiniuosius įstrižus pjūvius, nuimkite papildomą kreiptuvą „R“. Jis liesis prie pjovimo disko arba kitos įrankio dalies, o tai gali baigtis sunkiu operatoriaus sužeidimu.

Pav.32

Papildomą kreiptuvą „R“ galima nuimti nuo dešinės kreiptuvo pusės. Norėdami nuimti papildomą kreiptuvą „R“, atlaisvinkite varžtą, kuris tvirtina papildomą

kreiptuvą „R“, ir ištraukite jį. Norėdami jį sumontuoti, atlikite nuėmimo veiksmus atvirkščia tvarka.

Atlikę įstrižus pjūvius, nepamirškite gražinti papildomo kreiptuvo „R“ į pradinę padėtį ir tvirtai jo priveržti fiksavimo varžtu.

Vertikalus spaustuvas

Pav.33

Vertikalų spaustuva galima sumontuoti kairėje arba dešinėje kreiptuvo pusėje. Įkiškite spaustuvo strypą į kreiptuve esančią skylę ir užveržkite kreiptuvo gale esantį varžtą, kad užtvirtintumėte spaustuvo strypą.

Nustatykite spaustuvo rankeną pagal ruošinio storį ir formą ir užtvirtinkite ją, užverždami suveržimo varžtą. Jeigu spaustuvo rankenai užveržti skirtas varžtas liečia kreiptuvą, varžtą sumontuokite iš priešingos spaustuvo rankenos pusės. Patikrinkite, ar visiškai nuleidus rankenėlę ir iki galo traukiant arba stumiant suportą, jokia įrankio dalis nesiliečia prie spaustuvo. Jeigu kokia nors dalis liečiasi prie spaustuvo, pakeiskite spaustuvo padėtį. Prispauskite ruošinį prie kreiptuvo ir pasukite pagrindą. Nustatykite ruošinį į norimą pjovimo padėtį ir užtvirtinkite jį, tvirtai užverždami spaustuvo rankeną.

⚠️ĮSPĖJIMAS:

- **Visų pjovimo darbų metu ruošinys privalo būti tvirtai spaustuvais pritvirtintas prie sukamo pagrindo ir atremtas į kreiptuvą.** Jeigu ruošinys nėra tinkamai pritvirtintas prie kreiptuvo, pjovimo metu jis gali pasislinkti ir galbūt sugadinti diską, kuris gali nusviesti ruošinį; dėl to galima prarasti kontrolę ir sunkiai susižeisti.

Horizontalus spaustuvas (pasirenkamas priedas)

Pav.34

Horizontalų spaustuva galima sumontuoti dvejose padėtyse: kairėje arba dešinėje pagrindo pusėje. Atliekant 10° arba didesnio kampo įstrižus pjūvius, sumontuokite horizontalų spaustuva priešingoje pusėje, nei ta, į kurią ketinama sukti sukiojamą pagrindą.

Pav.35

Pasukant spaustuovų veržlę prieš laikrodžio rodyklę, jie atleidžiami ir greitai juda pirmyn atgal. Norėdami suspausti ruošinį, stumkite spaustuvo rankenėlę į priekį, kol spaustuvo plokštelė paliečia ruošinį, tada pasukite spaustuvo veržlę pagal laikrodžio rodyklę. Po to sukite spaustuvo rankenėlę pagal laikrodžio rodyklę, kad užtvirtintumėte ruošinį.

Horizontaliu spaustuvu galima suspausti ruošinį, kurio didžiausias plotis - 215 mm.

Montuodami horizontalų spaustuva dešinėje pagrindo pusėje, naudokite ir papildomą kreiptuvą „R“, kad ruošinys būtų suspaustas tvirtiau. Apie papildomo kreiptuvo „R“ sumontavimą skaitykite anksčiau aprašytame skyriuje „Papildomas kreiptuvas „R“.

⚠️ISPĖJIMAS:

- Visuomet sukite spaustuvų veržlę pagal laikrodžio rodyklę tol, kol ruošinys bus tinkamai įtvirtintas. Jeigu ruošinys nėra tinkamai įtvirtintas, pjovimo metu jis gali pasislinkti ir galbūt sugadinti diską, kuris gali nusviesti ruošinį; dėl to galima prarasti kontrolę ir sunkiai susižeisti.
- Pjaudami ilgus, plonus ruošinius, pavyzdžiui, grindjuostas, atrėmę juos į kreiptuvą, visuomet naudokite horizontalius spaustuvus.

Laikikliai

Pav.36

Laikiklius galima sumontuoti bet kurioje pusėje - tai patogi ruošinių horizontalaus laikymo priemonė. Iki galo įkiškite laikiklio strypus į pagrindo angas. Po to tvirtai varžtais užveržkite laikiklius.

⚠️ISPĖJIMAS:

- Norėdami, kad pjūvis būtų tikslus, ir siekdami apsaugoti nuo pavojingo įrankio kontrolės praradimo, ilgus ruošinius visuomet atremkite, kad jie būtų horizontalūs sukamo pagrindo viršutinio paviršiaus atžvilgiu. Tinkama ruošinio atrama padės išvengti disko suspaudimo ruošinyje ir galimos atatrankos, kuri gali sąlygoti sunkų susižeidimą.

NAUDOJIMAS

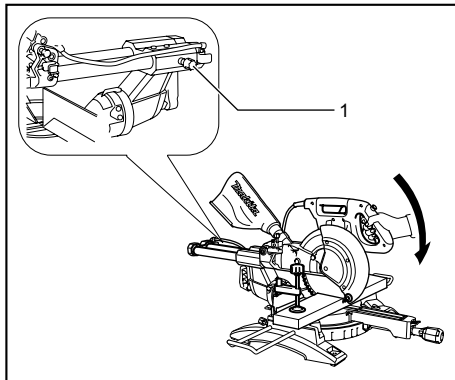
PASTABA:

- Prieš pradėdami naudoti įrankį, būtinai atleiskite rankenėlę iš žemiausios padėties, ištraukdami fiksavimo smaigą.
- Pjaudami, per daug nespauskite rankenėlės. Per didelė jėga gali sukelti variklio perkrovą ir/arba sumažinti pjovimo efektyvumą. Spauskite rankenėlę žemyn tik tokia jėga, kokios reikia sklandžiam pjovimui ir smarkiai nedidinkite disko sukimosi greičio.
- Norėdami atlikti pjūvį, atsargiai nuspauskite rankenėlę žemyn. Jeigu nuspausite rankenėlę jėga arba naudosite šoninę jėgą, diskas pradės vibruoti ir paliks ant ruošinio žymes (pjovimo žymes), todėl pjūvio tikslumas bus prastas.
- Slenkamo pjūvio metu, atsargiai nesustodami stumkite suportą link kreiptuvo. Jeigu pjovimo metu suportu judėjimas sustabdomas, ant ruošinio liks žymė ir pjūvio tikslumas bus prastas.

⚠️ISPĖJIMAS:

- Prieš įjungdami įrankį, įsitikinkite, kad diskas neličia ruošinio ir pan. Įjungus įrankį, kai jo diskas liečia ruošinį, gali įvykti atatranka ir galima sunkiai susižeisti.

1. Pjovimas, naudojant spaudimą (mažų ruošinių pjovimas)



1. Fiksavimo varžtas

011409

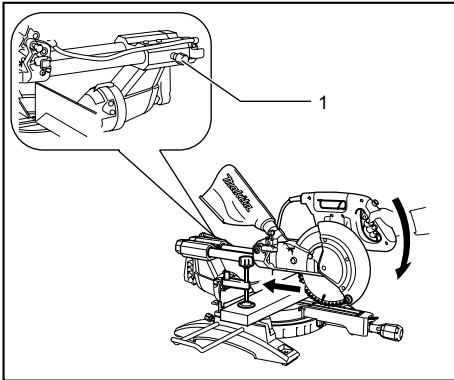
91 mm aukščio ir 70 mm pločio ruošinius galima pjauti tokiu būdu.

Iki galo pristumkite suportą prie kreiptuvo ir užveržkite suportą, sukdami fiksavimo varžtą pagal laikrodžio rodyklę. Tinkamai suspauskite ruošinį tinkamos rūšies spaustuvais. Įjunkite įrankį – pjovimo diskas neturi liesti ruošinio – ir, prieš nuleisdami diską, palaukite, kol jis pradės sukintis visu greičiu. Po to atsargiai iki galo žemyn nuleiskite rankenėlę ir pradėkite pjauti ruošinį. Pabaigę pjauti, išjunkite įrankį ir, prieš atkeldami diską, PALAUKITE, KOL JIS VISIŠKAI NUSTOS SUKTIŠ.

⚠️ISPĖJIMAS:

- Tvirtai priveržkite rankenėlę, sukdami ją pagal laikrodžio rodyklę, kad dirbant nepajudėtų suportas. Netinkamai priveržus rankenėlę, gali įvykti atatranka, kuri gali sąlygoti sunkų susižeidimą.

2. Pjovimas slenkant (stumiant) ruošinį (plačių ruošinių pjovimas)



1. Fiksavimo varžtas

011410

Atlaisvinkite fiksavimo varžtą, sukdami prieš laikrodžio rodyklę, kad galėtumėte lengvai slinkti suportą. Suspauskite ruošinį tinkamos rūšies spaustuvais. Iki galo link savęs patraukite suportą. Įjunkite įrankį – pjovimo diskas neturi liesti ruošinio – ir palaukite, kol jis pradės sukintis visu greičiu. Nuspauskite rankenėlę ir STUMKITE SUPORTĄ LINK KREIPTUVO BEI PJAUKITE RUOŠINĮ. Pabaigę pjauti, išjunkite įrankį ir, prieš atkeldami diską, PALAUKITE, KOL JIS VISIŠKAI NUSTOS SUKHTIS.

⚠️ ĮSPĖJIMAS:

- **Atlikdami pjovimą slenkant, pirmiausiai iki galo patraukite suportą link savęs ir nuspauskite rankenėlę į žemiausią padėtį, po to stumkite suportą kreiptuvo link. Niekada nepradėkite pjauti iki galo nepatraukę suporto link savęs.** Jeigu pradėsite pjauti iki galo nepatraukę suporto link savęs, gali įvykti atitranka, kuri gali sąlygoti sunkų susižeidimą.
- **Niekada nebandykite atlikti pjūvį slenkant, traukdami suportą link savęs.** Pjovimo metu traukiant suportą link savęs, gali netikėtai įvykti atitranka, kuri gali sąlygoti sunkų susižeidimą.
- Niekad nepjaukite slinkdami, jeigu rankenėlė užfiksuota žemiausioje padėtyje.
- **Niekada neatlaisvinkite fiksavimo varžto, tvirtinančio suportą, kai diskas sukasi.** Pjovimo metu atlaisvintas suportas gali sukelti netikėtą atitranką, kuri gali sąlygoti sunkų susižeidimą.

3. Įžambus pjovimas

Žr. anksčiau aprašytą skyrių „Įžambaus kampo nustatymas“.

4. Įstrižasis pjovimas

Pav.37

Norėdami nustatyti įstrižą kampą, atlaisvinkite svirtelę ir pakreipkite pjovimo diską (žr. anksčiau aprašytą skyrių „Įstrižo kampo nustatymas“). Patikrinkite, ar nustatę pasirinktą įstrižą kampą, tvirtai užveržėte svirtelę. Suspauskite ruošinį spaustuvais. Suportas turi būti iki galo atitrauktas link operatoriaus. Įjunkite įrankį - pjovimo diskas neturi liesti ruošinio - ir palaukite, kol jis pradės sukintis visu greičiu. Po to atsargiai nuleiskite rankenėlę į žemiausią padėtį, tuo pačiu metu lygiagrečiai spausdami pjovimo diską ir, **NORĖDAMI PRADĖTI PJAUTI RUOŠINĮ, STUMKITE SUPORTĄ LINK KREIPTUVO.** Pabaigę pjauti, išjunkite įrankį ir, prieš atkeldami diską, PALAUKITE, KOL JIS VISIŠKAI NUSTOS SUKHTIS.

⚠️ ĮSPĖJIMAS:

- **Nustatę diską įstrižam pjūviui, prieš pradėdami naudoti įrankį, visada patikrinkite, ar suportas ir pjovimo diskas nevaržomai juda visose pjūvio ribose.** Jeigu pjovimo metu suporto arba disko judėjimas bus sutrikdytas, gali įvykti atitranka, galinti sukelti sunkų sužalojimą.
- **Atlikdami įstrižuosius pjūvius, laikykite rankas atokiai nuo disko judėjimo kelio.** Diskas gali judėti kitokiu nei įprasta kampu ir supainioti operatorių, o prisilietus prie pjovimo disko, galima sunkiai sužeistis.
- **Pjovimo disko negalima atkelti tol, kol jis visiškai nesustos.** Atliekant įstrižą pjūvį, nupjautoji ruošinio dalis gali atsiremti į diską. Jeigu diskas pakeliamas, kai pjovimo diskas dar sukasi, diskas gali sviesti nupjautą dalį ir suskaldyti medžiagą į atplaišas, kurios gali sunkiai sužeisti.

PASTABA:

- Nuspausdami rankenėlę žemyn, kartu spauskite ir pjovimo diską. Jeigu jėga naudojama statmenai sukiojamam pagrindui arba jeigu spaudimo kryptis pjovimo metu pasikeičia, pjūvis bus netikslus.
- Prieš pradėdami įstrižą pjovimą, gali prireikti pareguliuoti slankųjį kreiptuvą. Žr. skyrių „Kreiptuvo reguliavimas“.

⚠️ DĖMESIO:

- Visuomet nuimkite papildomą kreiptuvą „R“, kad atliekant dešiniuosius įstrižus pjūvius, jis netrukdytų jokiai suporto daliai.

5. Kombinuotasis pjovimas

Kombinuotasis pjovimas - tai procesas, kai ruošinys tuo pačiu metu pjaunamas įstrižu ir įžambiu kampu. Kombinuotąjį pjovimą galima atlikti lentelėje nurodytais kampais.

Ižambusis kampas	Istrižasis kampas
Kairysis ir dešinysis 0°- 45°	Kairysis ir dešinysis 0°- 45°

009713

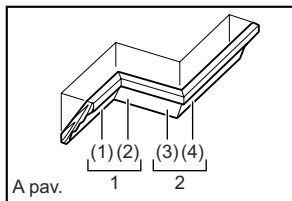
Atlikdami kombinuotąjį pjūvimą, žr. paaiškinimus skyriuose „Pjovimas, naudojant spaudimą“, „Pjovimas slenkant“, „Ižambus pjovimas“ ir „Istrižasis pjovimas“.

6. Dekoratyvinių ir skliautinių karnizų pjovimas

Dekoratyvinius ir skliautinius lubų karnizus galima išpjauti kombinuotu skersavimu ir kampų suleidimo pjūkle, padėjus karnizus ant sukiojamo pagrindo. Paprastai naudojami dvejų tipų dekoratyviniai karnizai ir vieno tipo skliautiniai karnizai: 52/38° kampų tarp sienos ir lubų dekoratyviniai karnizai, 45° kampo tarp sienos ir lubų karnizai ir 45° kampo tarp sienos ir lubų skliautiniai karnizai. Žr. pav.

Pav.38

Gali būti dekoratyviniai ir skliautiniai karzinių sujungimai, kurie sudaro „vidinius“ 90° kampus ((1) bei (2) A pav.) ir „išorinius“ 90° kampus ((3) bei (4) A pav.).



1. Vidinis kampas
2. Išorinis kampas

A pav.

001556

Pav.39

Matavimai

Išmatuokite sienos ilgį ir dėkite ruošinį ant darbastalio, kad atpjautumėte reikiamo sieną liečiantį kraštą. Visuomet įsitikinkite, kad atpjauto ruošinio ilgis **ruošinio galinėje pusėje** sutaptų su sienos ilgiu. Nustatykite pjūvio ilgį pagal pjūvio kampą. Pradžioje visuomet atlikite kelis bandomuosius pjūvius ant atliekamų ruošinių, kad nustatytumėte pjūvimo kampus.

Pjaudami dekoratyvinius ir skliautinius lubų karnizus, nustatykite istrižus ir nuožambius kampus, kaip nurodyta lentelėje (A), ir dėkite karnizus ant pjūklo pagrindo, kaip nurodyta lentelėje (B).

Kairysis istrižas pjūvis

Lentelė (A)

	Formavimo padėtis, pavaizduota A pav.	Istrižasis kampas		
		52/38° tipas	45° tipas	52/38° tipas 45° tipas
Vidiniams kampui	(1)	33,9° kairysis	30° kairysis	31,6° dešinysis 35,3° dešinysis
	(2)			31,6° kairysis 35,3° kairysis
Išoriniams kampui	(3)			31,6° dešinysis 35,3° dešinysis
	(4)			

006361

Lentelė (B)

	Formavimo padėtis, pavaizduota A pav.	Karnizo kraštas atremtas į kreiptuvą	Užbaigta dalis
Vidiniams kampui	(1)	Lubas liečiantis kraštas turi būti atremtas į kreiptuvą.	Užbaigta dalis bus pjūklo kairėje.
	(2)	Sieną liečiantis kraštas turi būti atremtas į kreiptuvą.	
Išoriniams kampui	(3)	Lubas liečiantis kraštas turi būti atremtas į kreiptuvą.	Užbaigta dalis bus pjūklo dešinėje.
	(4)	Lubas liečiantis kraštas turi būti atremtas į kreiptuvą.	

006362

Pavyzdys:

Atlikdami 52/38° tipo dekoratyvinio karnizo pjūvį pagal padėtį (1) A pav.:

- Pakreipkite ir užtvirtinkite istrižo kampo nustatymą ties 33,9° KAIRIUOJU kampu.
- Nustatykite ir užtvirtinkite nuožambaus kampo nustatymą ties 31,6° DEŠINIUOJU kampu.
- Dėkite dekoratyvinį karnizą jo lentos galinės pusės (paslėptu) paviršiumi ant sukiojamo pagrindo, jo LUBAS LIEČIANTĮ KRAŠTĄ atrėmę į pjūklo kreiptuvą.
- Atlikus pjūvį, užbaigta naudojama dalis visuomet bus KAIRĖJE disko pusėje.

Dešinysis istrižas pjūvis

Lentelė (A)

	Formavimo padėtis, pavaizduota A pav.	Istrižasis kampas		Ižambusis kampas	
		52/38° tipas	45° tipas	52/38° tipas	45° tipas
Vidiniams kampui	(1)	33,9° dešinysis	30° dešinysis	31,6° dešinysis	35,3° dešinysis
	(2)			31,6° kairysis	35,3° kairysis
Išoriniams kampui	(3)			31,6° dešinysis 35,3° dešinysis	
	(4)				

006363

Lentelė (B)

	Formavimo padėtis, pavaizduota A pav.	Karnizo kraštas atremtas į kreiptuvą	Užbaigta dalis
Vidiniams kampui	(1)	Sieną liečiantis kraštas turi būti atremtas į kreiptuvą.	Užbaigta dalis bus pjūklo dešinėje.
	(2)	Lubas liečiantis kraštas turi būti atremtas į kreiptuvą.	
Išoriniams kampui	(3)	Sieną liečiantis kraštas turi būti atremtas į kreiptuvą.	Užbaigta dalis bus pjūklo kairėje.
	(4)	Sieną liečiantis kraštas turi būti atremtas į kreiptuvą.	

006364

Pavyzdys:

Atlikdami 52/38° tipo dekoratyvinio karnizo pjūvį pagal padėtį (1) A pav.:

- Pakreipkite ir užtvirtinkite istrižo kampo nustatymą ties 33,9° DEŠINIUOJU kampu.
- Nustatykite ir užtvirtinkite nuožambaus kampo nustatymą ties 31,6° DEŠINIUOJU kampu.

- Dėkite dekoratyvinį karnizą jo lentos galinės pusės (paslėptu) paviršiumi ant sukiojamo pagrindo, jo SIENA LIEČIANTĮ KRAŠTĄ atrėmę į pjūklo kreiptuvą.
- Atlikus pjūvį, užbaigta naudojama dalis visuomet bus DEŠINĖJE disko pusėje.

7. Forminių aliuminio ruošinių pjovimas

Pav.40

Pav.41

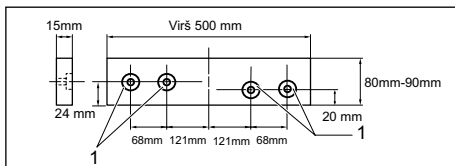
Forminių aliuminio ruošinių pritvirtinimui naudokite atramines trinkelės arba metalo gabalėlius, kaip parodyta piešinyje, kad aliuminius nesideformuotų. Pjaudami forminius aliuminio ruošinius, naudokite pjovimo tepalą, kad prie disko nepriliptų aliuminio dalelių.

⚠️ ĮSPĖJIMAS:

- **Niekada nebandykite pjauti storų arba apvalių aliuminio profilių.** Storus arba apvalius aliuminio profilius gali būti sunku įtvirtinti ir pjovimo metu jie gali atsiloisvinti, sąlygoti įrankio kontrolės praradimą ir sunkų susižeidimą.

8. Medžio apsauga

Naudojant medžio apsaugą, ruošiniai pjaunami be nuolaužų. Pritvirtinkite medžio apsaugą prie kreiptuvo, įkišdami ją į kreiptuvo skylę. Piešinyje pavaizduoti rekomenduojami medžio apsaugų dydžiai.



1. Skylės

010563

⚠️ DĖMESIO:

- Vietoj medžio apsaugos panaudokite tiesią, vienodo storio medžio juostelę.

⚠️ ĮSPĖJIMAS:

- **Medžio apsaugą prie kreiptuvo prisukite varžtais.** Varžtai turi būti įsukti taip, kad jų galvutės nekyšotų iš medžio apsaugos ir netrukdytų padėti ruošinį, kuris bus pjaunamas. Pjovimo metu pjaunamam ruošiniui netikėtai pasislinkus, galima netekti kontrolės ir sunkiai susižeisti.

PASTABA:

- Pritvirtinę apsaugą, nesukite sukiojamo pagrindo, kai rankenėlė nuleista. Sugadinsite pjovimo diską ir/arba medžio apsaugą.

9. Griovelio išpjovimas

Pav.42

Panelio tipo pjūvį galima atlikti taip:

Reguliuavimo varžtu ir fiksavimo rankenėle nustatykite apatinę pjovimo disko ribą, kad apribotumėte disko pjovimo gylį. Žr. anksčiau aprašytą skyrių „Fiksavimo rankenėlė“.

Nustatę apatinę ribinę disko padėtį, slinkdami (stumdami), pjaukite lygiagrečius griovelius skersai per visą ruošinio plotį, kaip parodyta piešinyje. Paskui kaltu išvalykite grioveliuose likusias medžiagos dalis.

⚠️ ĮSPĖJIMAS:

- **Nebandykite atlikti šio tipo pjūvių, naudodami platesnius arba frezavimo diskus.** Bandant išpjauti griovelį platesniu disku arba frezavimo disku, gali įvykti netikėta atotrūkis, kuri gali sąlygoti sunkų susižeidimą.
- **Atlikdami kitus nei griovelių išpjovimo pjūvius, būtina sugrąžinkite fiksavimo svirtį į pradinę padėtį.** Bandant atlikti pjūvius, kai fiksavimo svirtis yra netinkamoje padėtyje, pjūviai gali būti netikslūs ir gali įvykti netikėta atotrūkis, sąlygojanti sunkų susižeidimą.

⚠️ DĖMESIO:

- Pjaudami kitu būdu, būtina sugrąžinkite fiksavimo rankenėlę į pradinę padėtį.

Įrankio nešimas

Pav.43

Patikrinkite, ar įrankis išjungtas. Užveržkite diską 0° įstrižu kampu, o sukiojamą pagrindą - tinkamo nuožulnumo kampo padėtyje. Užtvirtinkite slankiuosius kuoliukus taip, kad apatinis slankusis kuoliukas būtų užfiksuotas visiškai link operatoriaus paslinkto suportu padėtyje, o viršutiniai slankieji kuoliukai būtų užfiksuoti iki galo link kreiptuvo pastumto suportu padėtyje (žr. skyrių "Slankiojo fiksatoriaus reguliavimas"). Iki galo nuleiskite rankenėlę ir užfiksuokite ją žemiausioje padėtyje, įstumdami fiksavimo smaigą.

Susukite maitinimo laidą, naudodami laido atramas.

⚠️ ĮSPĖJIMAS:

- **Fiksavimo smaigas skirtas tik nešimo ir saugojimo tikslams; jo negalima naudoti jokiems pjovimo darbams.** Naudojant fiksavimo smaigą pjovimo darbams, pjovimo diskas gali netikėtai pajudėti, sukelti atotrūkis ir sunkiai sužeisti.

Įrankį neškite laikydami už pagrindo, iš abiejų pusių, kaip parodyta piešinyje. Jeigu nuimsite laikiklius, dulkių maišelį ir t.t., įrankį nešti bus lengviau.

⚠ DĖMESIO:

- Prieš nešdami įrankį, būtinai užtvirtinkite visas judamas dalis. Jeigu nešant įrankį kuri nors jo dalis pajudės arba pasislinks, galima netekti kontrolės arba pusiausvyros ir susižeisti.

TECHNINĖ PRIEŽIŪRA

⚠ ĮSPĖJIMAS:

- Prieš pradėdami įrankio tikrinimo arba techninės priežiūros darbus, visuomet būtinai išjunkite įrankį ir atjunkite jį nuo maitinimo tinklo. Neišjungus įrankio ir neatjungus jo nuo maitinimo tinklo, galima sunkiai susižeisti dėl atsitiktinio įrankio įjungimo.
- Siekdami geriausių rezultatų ir saugiausio darbo, visuomet įsitikinkite, ar diskas yra aštrus ir švarus. Bandant pjauti atbukusiu ir (arba) nešvarių diskų, gali įvykti atatranka, sąlygojanti sunkų susižeidimą.

PASTABA:

- Niekada nenaudokite gazolino, benzino, tirpiklio, spirito arba panašių medžiagų. Gali atsirasti išblukimų, deformacijų arba įtrūkimų.

Pjovimo kampo nustatymas

Šis įrankis gamykloje buvo kruopščiai nustatytas ir sulygiuotas, tačiau jo neprižiūrint, sulygiavimas gali išsireguliuoti. Jeigu įrankis sulygiuotas netinkamai, atlikite tokius veiksmus:

1. Nuožulnus kampas

Pav.44

Iki galo pristumkite suportą prie kreiptuvo ir užveržkite fiksavimo varžtą, užtvirtinančią suportą. Atlaisvinkite rankenėlę, užtvirtinančią sukiojamą pagrindą. Pasukite sukiojamą pagrindą taip, kad rodyklė kampinėje skalėje rodytų 0°. Po to truputį pasukite sukiojamą pagrindą pagal ir prieš laikrodžio rodyklę, kad jis įsitaistytų 0° kampo nuožulnumo išpjovoje. (Jeigu rodyklė nerodo 0° kampo, palikite taip, kaip yra). Galiniu raktu atlaisvinkite šešiakampius lizdinius varžtus, laikančius kreiptuvą.

Pav.45

Iki galo nuleiskite rankenėlę ir užfiksukite ją žemiausioje padėtyje, įstumdami fiksavimo kaištį. Trikampe liniuote, kampainiu ir t.t. nustatykite statų kampą tarp pjovimo disko ir kreiptuvo priekio. Po to tvirtai užveržkite šešiakampius lizdinius varžtus, pradėdami nuo dešiniojo.

Pav.46

Patikrinkite, ar rodyklė ant kampinės skalės rodo 0° kampą. Jeigu rodyklė nerodo 0° kampo, atsukite varžtą, kuris laiko rodyklę ir pareguliuokite ją, kad ji rodytų 0° kampą.

2. Įstrižasis kampas

(1) 0° įstrižumo kampas

Pav.47

Iki galo pristumkite suportą prie kreiptuvo ir užveržkite fiksavimo varžtą, užtvirtinančią suportą. Iki galo nuleiskite rankenėlę ir užfiksukite ją žemiausioje padėtyje, įstumdami fiksavimo smaigą. Atlaisvinkite įrankio gale esančią svirtelę.

Pav.48

Norėdami pakreipti pjovimo diską į dešinę, pasukite rankenėlės dešinėje esantį šešiakampį varžtą prieš laikrodžio rodyklę du arba tris apsisukimus.

Pav.49

Tiksliai nustatykite pjovimo disko kraštą ir sukiojamo pagrindo paviršių stačiu kampu, naudodami trikampę liniuotę, kampainį ir t.t., pagal laikrodžio rodyklę sukdamy šešiakampį varžtą, esantį rankenėlės dešinėje pusėje. Po to tvirtai užveržkite svirtelę.

Pav.50

Patikrinkite, ar ant sukiojamo stalo esanti rodyklė rodo 0° kampą įstrižų kampų skalėje, esančioje ant rankenėlės. Jeigu rodyklė nerodo 0° kampo, atsukite varžtą, kuris laiko rodyklę, ir pareguliuokite ją, kad ji rodytų 0° kampą.

(2) 45° įstrižumo kampas

Pav.51

Nustatykite 45° įstrižą kampą tik po to, kai nustatysite 0° įstrižą kampą. Norėdami nustatyti 45° įstrižą kampą, atlaisvinkite svirtelę ir iki galo į kairę pakreipkite pjovimo diską. Patikrinkite, ar ant rankenėlės esanti rodyklė rodo 45° kampą įstrižų kampų skalėje, esančioje ant rankenėlės laikiklio. Jeigu rodyklė nerodo 45° kampo, sukite svirtelės laikiklio dešinėje esantį šio kampo reguliavimo varžtą, kol rodyklė rodytų 45° kampą. Norėdami nustatyti 45° įstrižumo kampą, atlikite tuos pačius veiksmus, kaip aprašyta pirmiau.

Pav.52

Reguliariai išimkite ir patikrinkite anglinius šepetėlius. Pakeiskite juos, kai nusidėvi iki 3 mm ilgio. Laikykite anglinius šepetėlius švarius ir tikrinkite, ar jie laisvai įslenka į laikiklius. Abu angliniai šepetėliai turėtų būti keičiami tuo pačiu metu. Naudokite tik identiškus anglinius šepetėlius.

Pav.53

Jei norite nuimti šepetėlių laikiklių dangtelius, pasinaudokite atsuktuvu. Išimkite sudėvėtus anglinius šepetėlius, įdėkite naujus ir įtvirtinkite šepetėlių laikiklio dangtelį.

Po naudojimo

- Pabaigę darbą, skudurėliu nuvalykite prie įrankio prilipusias atplaišas ir dulkes. Atitinkamai pagal anksčiau skyriuje „Pjovimo disko apsauga“ išdėstytus nurodymus, pjovimo disko apsauga turi būti laikoma švariai. Judamas dalis patepkite mašinine alyva, kad jos nerūdytų.
- Padėję įrankį saugojimui, pastumkite suportą iki galo link savęs.

Kad gaminys būtų SAUGUS ir PATIKIMAS, jį taisyti, apžiūrėti ar vykdyti bet kokią kitą priežiūrą ar derinimą turi įgaliotasis kompanijos „Makita“ techninės priežiūros centras; reikia naudoti tik kompanijos „Makita“ pagamintas atsargines dalis.

PASIRENKAMI PRIEDAI

SPĖJIMAS:

- **Su šiame vartotojo vadove nurodytu „Makita“ įrankiu rekomenduojama naudoti šiuos „Makita“ įtaisus ir priedus.** Naudojant bet kokius kitus įtaisus ir priedus, galima sunkiai susižeisti.
- **„Makita“ įtaisą arba priedą naudokite tik pagal jo numatytąją paskirtį.** Naudojant įtaisą arba priedą ne pagal jo numatytąją paskirtį, galima sunkiai susižeisti.

Jeigu norite daugiau sužinoti apie tuos priedus, kreipkitės į artimiausią „Makita“ techninės priežiūros centrą.

- Plieniniai pjovimo diskai ir diskai su karbidu padengtais galais

Kampų suleidimo pjūklo diskai	Skirta lygiems, tiksliems įvairių medžiagų pjūviams.
Kombinacija	Bendrosios paskirties geležtė greitam ir lygiam režimui, pjovimui skersai ir įstrižai.
Skersiniai pjūviai	Skirta lygesniems skersiniams pjūviams. Švariai pjauna skersai medžio pluošto.
Pulkūs skersiniai pjūviai	Dėl funkcijos „sand-free“ tiesiai pjausto granuliuotas struktūras.
Kampų suleidimo pjūklo diskai, pagaminti iš spalvotųjų metalų	Skirta nuožambiam aliuminio, vario, žalvario, vamzdžių ir kitų spalvotųjų metalų dalių pjovimui.

006526

- Papildomas kreiptuvas „R“
- Spaustuvų komplektas (Horizontalus spaustuvas)
- Vertikalus spaustuvas
- Galinis raktas su kitame gale esančiu šešiakampiu veržliarakčiu
- Laikiklis
- Dulkių surinkimo maišelis
- Alkūnė
- Trikampė liniuotė

PASTABA:

- Kai kurie sąrašė esantys priedai gali būti pateikti įrankio pakuotėje kaip standartiniai priedai. Jie įvairiose šalyse gali skirtis.

EESTI (algsed juhised)

Üldvaate selgitus

1-1. Stoppernöel	22-1. Stoppernöel	36-1. Hoidik
2-1. Poldid	23-1. Otsmutrivõti	38-1. 52/38 ° tüüp kaareprofiili freesimine
3-1. Terakaitse	23-2. Terakorpus	38-2. 45 ° tüüp kaareprofiili freesimine
4-1. Terakaitse	23-3. Keskmine kate	38-3. 45 ° tüüp nõgusprofiili freesimine
5-1. Kruvi	23-4. Kuuskantpolt	39-1. Sisenurk
5-2. Otsamislaud	23-5. Terakaitse	39-2. Välisnurk
6-1. Saetera	24-1. Terakorpus	40-1. Juhtpiire
6-2. Terahambad	24-2. Otsmutrivõti	40-2. Kinnitusrakis
6-3. Otsamislaud	24-3. Kuuskantpolt	40-3. Distantsklots
6-4. Vasakpoolne kaldlöige	24-4. Nool	40-4. Aluminiiumekstrusioon
6-5. Sirglöige	24-5. Völlilukk	40-5. Distantsklots
6-6. Parempoolne kaldlöige	25-1. Terakorpus	41-1. Aluminiiumekstrusioon
7-1. Reguleerimispol	25-2. Nool	41-2. Juhtpiire
7-2. Eerungiplaat	25-3. Nool	41-3. Distantsklots
8-1. Eerungiplaadi ülapind	25-4. Saetera	41-4. Horisontaalne kinnitusrakis (lisatarvik)
8-2. Tera kaugem osa	26-1. Kuuskantpolt (vasakkeermega)	42-1. Soonte lõikamine teraga
8-3. Juhtpiire	26-2. Välimine flanš	44-1. Kuuskantpolt
9-1. Stopperlatt	26-3. Saetera	44-2. Juhtpiire
9-2. Reguleerikruvi	26-4. Rõngas	44-3. Käepide
10-1. Eerungiskaala	26-5. Sisemine flanš	45-1. Juhtpiire
10-2. Osuti	26-6. Völl	45-2. Kolmnurkjoonlaud
10-3. Lukustushoob	27-1. Otsmutrivõti	46-1. Kruvi
10-4. Käepide	27-2. Terakorpus	46-2. Osuti
11-1. Hoob	27-3. Keskmine kate	46-3. Eerungiskaala
12-1. Hoob	27-4. Kuuskantpolt	47-1. Hoob
12-2. Latt	27-5. Terakaitse	47-2. Latt
12-3. Osuti	28-1. Tolmuotsak	48-1. 0 ° reguleerimispol
12-4. Kaldenurga skaala	28-2. Tolmukott	48-2. Vasakpoolse 45 ° kaldenurga reguleerimispol
13-1. Hoob	28-3. Fiksaator	49-1. Kolmnurkjoonlaud
14-1. Osuti	29-1. Tugi	49-2. Saetera
14-2. Vabastusnupp	29-2. Eerungiplaat	49-3. Eerungilaua ülapind
14-3. Kaldenurga skaala	30-1. Liikuv piire	50-1. Kruvi
15-1. Lukustuskrugi	30-2. Pitskrugi	50-2. Osuti
16-1. Lahtilukustuse nupp	31-1. Liikuv piire	50-3. Kaldenurga skaala
16-2. Lüliti päästik	32-1. Alapiire R	51-1. Parempoolse 45 ° kaldenurga reguleerimispol
16-3. Hoob	32-2. Kruvid	51-2. Vasakpoolse 45 ° kaldenurga reguleerimispol
16-4. Tabaluku ava	33-1. Kinnitusrakise latt	53-1. Kruvikeeraja
17-1. Lahtilukustuse nupp	33-2. Kinnitusrakise nupp	53-2. Harjahoidiku kate
17-2. Lüliti päästik	33-3. Kinnitusrakise varras	
17-3. Tabaluku ava	33-4. Kruvi	
18-1. Laseri lüliti	33-5. Juhtpiire	
20-1. Kuivelement	34-1. Kinnitusrakise plaat	
21-1. Kuuskantvõtme padrunvõti	34-2. Kinnitusrakise mutter	
21-2. Mutrivõtme hoidik	34-3. Kinnitusrakise nupp	

TEHNILISED ANDMED

Mudel	LS1018 / LS1018L
Tera läbimõõt	255 mm - 260 mm
Saelehe paksus	1,6 mm - 2,4 mm
Augu läbimõõt	
Kõik riigid väljaspool Euroopat	25,4 mm
Euroopa riigid	30 mm
Max lõikeulatus (K x L) läbimõõduga 260 mm	

Eeringinurk	Fassetnurk		
	45° (vasak)	0°	45° (parem)
0°	50 mm x 310 mm	91 mm x 310 mm	31 mm x 310 mm
45°	50 mm x 220 mm	91 mm x 220 mm	31 mm x 220 mm
60° (parem)	-	91 mm x 153 mm	-

Pöörlemissagedus koormuseta (min ⁻¹)	4 300
Laseri tüüp (ainult LS1018FL)	Punane laser 650 nm, < 1 mW (laseri klass 2)
Mõõtmed (P x L x K)	825 mm x 536 mm x 633 mm
Netomass	Kõik riigid väljaspool Euroopat.....19,8 kg Euroopa riigid.....19,9 kg

Kaitseklass

- Meie jätkuva teadus- ja arendustegevuse programmi tõttu võidakse siin antud tehnilisi andmeid muuta ilma ette teatamata.
- Tehnilised andmed võivad olla riigiti erinevad.
- Kaal vastavalt EPTA protseduurile 01/2003

END222-4



Sümbolid

Järgnevalt kirjeldatakse seadmetel kasutatavaid tingimärke. Veenduge, et olete nende tähendusest aru saanud enne seadme kasutamist.



- Lugege kasutusjuhendit.



- KAHEKORDNE ISOLATSIOON



- Vältimaks lenduvate osakeste poolt põhjustatud vigastusi, hoidke pärast lõikamist saepea all, kuni saetera on täielikult seiskunud.



- Kui teostate lõikamist kelk-mehhanismi abil, tõmmake esmalt kelk täielikult välja ja vajutage käepide alla, seejärel tõugake kelku juhtpiirde suunas.



- Ärge asetage kätt ega sõrmi lõiketera lähedusse.



- Seadke liikuvad piirded nii, et need ei puutuks lõiketera vastu, ning reguleerige lõiketera kaitse õigesti.



- Eemaldage alati ABIJUHTJOOONLAUD R, kui teostate paremale kaldu lõikamisi. Selle nõude eiramine võib põhjustada operaatorile tõsise kehavigastuse.



- LASERKIIRGUS: Ärge vaadake kiire sisse. Otsene laserkiir võib kahjustada teie silmi.

Üksnes ELi liikmesriikidele
Ärge käidelize kasutuskõlbmatuks muutunud elektriseadmeid koos olmejäätmetega!

Vastavalt Euroopa Parlamendi ja Nõukogu direktiivile elektri- ja elektroonikaseadmete jäätmete kohta ning direktiivi nõuete kohaldamisele liikmesriikides tuleb kasutuskõlbmatuks muutunud elektriseadmed koguda eraldi ja keskkonناسäästlikult korduskasutada või ringlusse võtta.

ENE006-1

Ettenähtud kasutamine

Tööriist on ette nähtud puidu täpseks sirgjooneliseks ja faasimiseks. Sobivate saeteradega on võimalik saagida ka alumiiniumi.

ENF002-2

Toiteallikas

Seadet võib ühendada ainult andmesildil näidatud pingele vastava pingega toiteallikaga ning seda saab kasutada ainult ühefaasilisel vahelduvvoolutoitel. Seadmel on kahekordne isolatsioon ning seega võib seda kasutada ka ilma maandusjuhtmeta pistikupessa ühendatult.

ENG905-1

Müra

Tüüpileline A-korrigeeritud müratase vastavalt EN61029:

Mürarõhutase (L_{pA}): 97 dB (A)
Müravõimsustase (L_{WA}): 103 dB (A)
Määramatus (K): 3 dB (A)

Kandke kõrvakaitsmeid

Vibratsioon

Vibratsiooni koguväärtus (kolmeteljeliste vektorite summa) määratud vastavalt EN61029:

Vibratsioonitase (a_h) : 2,5 m/s² või vähem
Määramatus (K) : 1,5m/s²

ENG901-1

- Deklareeritud vibratsiooniemissiooni väärtus on mõõdetud kooskõlas standardse testimismeetodiga ning seda võib kasutada ühe seadme võrdlemiseks teisega.
- Deklareeritud vibratsiooniemissiooni väärtust võib kasutada ka mürataseme esmaseks hindamiseks.

⚠️HOIATUS:

- Vibratsioonitase võib elektritööriista tegelikkuses kasutamise ajal erineda deklareeritud väärtusest sõltuvalt tööriista kasutamise viisidest.
- Rakendage kindlasti operaatorei kaitsmiseks piisavaid ohutusabinõusid, mis põhinevad hinnangulisel müratasemel tegelikul töösituatsioonis (võttes arvesse tööperioodi kõik osad nagu näiteks korrad, mil seade lülitatakse välja ja mil seade töötab tühikäigul, lisaks tööajale).

ENH003-15

Ainult Euroopa riigid**EÜ vastavusdeklaratsioon**

Makita deklareerib, et alljärgnev(ad) masin(ad):

Masina tähistus:

Liuglõike eeringisaag

Mudeli Nr/ Tüüp: LS1018, LS1018L

Vastavad alljärgnevatele Euroopa Parlamendi ja nõukogu direktiividele:

2006/42/EC

Need on toodetud vastavalt järgmistele standarditele või standardiseeritud dokumentidele:

EN61029

Tehniline fail, mis on kooskõlas direktiiviga 2006/42/EÜ, on saadaval ettevõttes:

Makita, Jan-Baptist Vinkstraat 2, 3070, Belgia

30.5.2014



000331

Yasushi Fukaya
Direktor

Makita, Jan-Baptist Vinkstraat 2, 3070, Belgia

Üldised elektritööriistade ohutushoiatused

⚠️ HOIATUS Lugege läbi kõik ohutushoiatused ja juhised. Hoiatuste ja juhiste mittejärgmine võib põhjustada elektrišokki, tulekahju ja/või tõsiseid vigastusi.

Hoidke alles kõik hoiatused ja juhised edaspidisteks viideteks.

ENB034-9

EERUNGISAE OHUTUSHOIATUSED

1. Hoidke käed väljaspool saetera liikumistrajektoori. Vältige kokkupuudet mis tahes väbakäigul liikuva lõiketeraga. See võib põhjustada tõsise kehavigastuse.
2. Enne kasutamist kontrollige hoolikalt saetera pragude või deformatsioonide esinemise suhtes.
Vahetage kahjustunud terad kohe välja.
3. Asendage sisselõiget korrigeeriv plaat, kui see on kulunud.
4. Kasutage ainult tootja poolt kindlaks määratud saeterasid, mis vastavad standardile EN847-1.
5. Ärge kasutage kiirloomiketerasest valmistatud saeterasid.
6. Kasutage silmakaitseid.
7. Kandke kuulmiskaitseid, et vähendada kuulmiskaotuse ohtu.
8. Kandke saelete ja koredade/pinnuliste materjalide käsitsemisel kindaid (saelehti tuleb võimalusel alati kanda vastavas hoidikus).
9. Nurgasaed ühendage saagimisel tolmukogumisseadmega.
10. Valige saeterad vastavalt lõigatavale materjaliile.
11. Kasutage saagi ainult puidu, alumiiniumi või teiste sarnaste materjalide lõikamiseks.
12. Enne tööriista kandmist kinnitage alati kõik liikuvad osad. Tööriista tõstmisel või kandmisel ärge kasutage terakaitset kandekäepidemena.
13. Ärge töötage saega, mille piirded ei ole omal kohal. Enne igakordset kasutamist kontrollige terapiirde õiget sulgemist. Ärge töötage saega, kui terapiire ei liigu vabalt ja ei sulgu kohe. Ärge kunagi kinnitage terapiiret klambriga ega siduge seda avatud asendisse.
14. Hoidke pörand puhas lahtisest materjalist, nt laastudest ja mahalõigatud tükkidest.
15. Kasutage ainult selliseid saeteri, millele märgitud maksimaalne kiirus on võrdne tööriistale märgitud koormuseta kiirusega või sellest kõrgem.

16. Kui tööriist on varustatud laseri või LED-iga, siis ärge asendage neid teist tüüpi laseri või LED-iga. Laske parandustööd teostada volitatud teeninduskeskuses.
17. Ärge eemaldage mahalõigatud tükke ega teisi töödeldava detaili osi lõikamispirkonnast sel ajal, kui tööriist töötab kaitsekatteta saeteraga.
18. Ärge teostage ühtki toimingut kinnitamata detailiga. Töödeldav detail peab olema kõigi toimingute ajal kruustangidega kindlalt kinnitatud vastu pöördalust ja juhtpiiret. Ärge kunagi kasutage töödeldava detaili kinnihoidmiseks käsi.
19. Enne igat lõiget veenduge, et tööriist on stabiilne.
20. Vajadusel kinnitage tööriist tööpingi külge.
21. Toestage pikki töödeldavaid detaile sobivate lisatüvedega.
22. Ärge kunagi lõigake nii väikest töödeldavat detaili, mida ei saa rakisega kindlalt kinni hoida. Valesti hoitud töödeldav detail võib põhjustada tagasilöögi ja raske kehavigastuse.
23. Ärge kunagi sirutage kätt ümber saetera.
24. Enne töödeldava detaili liigutamist või seadete muutmist lülitage tööriist välja ja oodake, kuni saetera seiskub.
25. Enne lõiketera vahetamist või hooldamist tõmmake tööriista toitejuhe voolukontaktist välja.
26. Lukustustihvt, mis lukustab lõikepea, on ette nähtud ainult kandmiseks ja hoiustamiseks ning ei ole mõeldud lõiketoomingute ajal kasutamiseks.
27. Antud masinat ei tohi kasutada kergestisüttivate vedelike ega gaaside läheduses. Voolu all oleva masina kasutamine võib kergestisüttivate vedelike ja gaaside juuresolekul põhjustada plahvatus- või tulekahju.
28. Kasutage ainult äärikuid, mis on mõeldud kasutamiseks koos antud tööriistaga.
29. Olge ettevaatlik, et mitte kahjustada võlli, äärikuid (eriti paigalduspinda) ega polti. Nende osade kahjustused võivad põhjustada ketta purunemise.
30. Veenduge, et pöördalus on õigesti kinnitatud, nii et see töötamise ajal ei liigu.
31. Ohutuse tagamiseks eemaldage laualt enne toimingute teostamist laastud, väikesed tükid jne.
32. Vältige naeltesse sisselõikamist. Enne toimingute teostamist kontrollige töödeldavat detaili ja eemaldage sellest kõik naelad.
33. Enne lüliti sissevajutamist veenduge, et võllilukk on vabastatud.
34. Veenduge, et lõiketera ei puuduta pöördalust oma kõige madalamas asendis.
35. Hoidke tööriista kindlalt käes. Olge teadlik, et käivitamisel ja seiskamisel liigub saag veidi üles või alla.
36. Veenduge, et lihvketas ei puutuks enne tööriista sisselülitamist vastu töödeldavat detaili.
37. Enne tööriista kasutamist tegelikus töökeskkonnas laske sellel mõnda aega töötada. Jälgige vibratsiooni või vibamist, mis võib tähendada väärat paigaldust või halvasti tasakaalustatud lõiketera.
38. Enne lõikamist oodake, kuni lõiketera saavutab täiskiiruse.
39. Kui märkate midagi ebaharilikku, peatage töö viivitamatult.
40. Ärge püüdke lukustada päästikut sisselülitatud asendis.
41. Olge alati valvas, eriti korduvate ja monotoonsete toimingute teostamisel. Ärge laske end petta näilisest turvatundest. Lõiketerad on äärmiselt halastamatud.
42. Kasutage alati selles kasutusjuhendis soovitatud tarvikuid. Sobimatute tarvikute, nagu sobimatute abrasiivketaste, kasutamine võib põhjustada kehavigastuse.
43. Olge ettevaatlik soonte lõikamisel.
44. Töö käigus tekkinud tolm võib sisaldada kemikaale, mida teatakse kui vähki-, sünnidefekte või muid soo jätkamisega seotud kahjustusi tekitavaid. Mõned näited selliste kemikaalide kohta on:
 - Pliipõhise värviga kaetud materjalist pärinev plii ning keemiliselt töödeldud saematerjalist pärinev arseen ja kroom.
 - Olenevalt sillest, kui sageli te seda tüüpi tööga kokku puutute, varieerub ka riski suurus haigestuda eespool nimetatud haigustesse, mida nende ainete mõju all viibimine võib põhjustada. Nimetatud kemikaalide mõju vähendamiseks: töötage hästi ventileeritavas piirkonnas ja kasutage heakskiidetud kaitsevahendeid, nagu näiteks spetsiaalselt mikroosakeste filtreerimiseks mõeldud tolmumaskid.
45. Mura vähendamiseks veenduge alati, et lõiketera on terav ja puhas.
46. Operaator on saanud piisava väljaõppe masina kasutamiseks, reguleerimiseks ja talitluseks.

HOIDKE JUHEND ALLES.

△HOIATUS:

ÄRGE laske mugavusel või toote kasutamisharjumustel (mis on saadud korduva kasutuse jooksul) asendada vankumatut toote ohutusekirjade järgimist. VALE KASUTUS või käesoleva kasutusjuhendi ohutusnõuete eiramine võib põhjustada tõsisemaid vigastusi.

PAIGALDAMINE

Paigaldamine lauale

Joon.1

Masina tarnimisel on käepide kinnitustihvti abil langetatud asendisse lukustatud. Kinnitustihvti vabastamiseks lükake käepidet samaaegselt veidi allapoole ja tõmmake kinnitustihvt välja.

Joon.2

Tööriist tuleks nelja poldi abil tasasele ja stabiilsele pinnale kinnitada, kasutades tööriista alusel olevaid poldiauke. See aitab vältida kummuliminekut ja võimalikke vigastusi.

FUNKTSIONAALNE KIRJELDUS

⚠HOIATUS:

- **Kandke alati hoolt selle eest, et masin oleks enne selle reguleerimist või funktsiooni kontrollimist välja lülitatud ning vooluvõrgust välja tõmmatud.** Kui masin ei ole välja lülitatud ja vooluvõrgust välja tõmmatud, võib see lõppeda ootamatust käivitumisest põhjustatud tõsise vigastusega.

Terakaitse

Joon.3

Käepideme langetamisel tõuseb saekettakaitse automaatselt. Saekettakaitse naaseb pärast löike sooritamist ja käepideme tõstmist oma algsele kohale.

⚠HOIATUS:

- **Saekettakaitset ega kaitsme külge kinnitatud vedru ei tohi kunagi kõrvale pöörata ega eemaldada.** Kõrvale pööratud kaitsme tõttu paljastatud saeketas võib kasutamisel põhjustada tõsiseid vigastusi.

Teie enda turvalisuse huvides hoidke saekettakaitse heas seisukorras. Igasugune kõrvalekalle saekettakaitsme töös tuleb koheselt kõrvaldada. Kontrollige saekettakaitsme tagasitõmbedrudu töökorda.

⚠HOIATUS:

- **Sae kasutamine kahjustatud, defektse või puuduva saekettakaitse või vedruga on rangelt keelatud.** Katkise, rikkis või eemaldatud kaitsmega masina kasutamine võib lõppeda tõsise vigastusega.

Kui läbipaistev saekettakaitse määrub või sellele koguneb tera ja/või töödeldava detaili nähtavust halvendav saepuru, tõmmake saag vooluvõrgust välja ja puhastage kaitset hoolikalt niiske lapi abil. Ärge kasutage plastkaitse puhastamiseks lahusteid või mis tahes naftapõhiseid puhastusvahendeid, sest need võivad kaitset kahjustada.

Kui saekettakaitse määrub ning seda tuleb korraliku toimimise huvides puhastada, siis järgige alltoodud juhiseid.

Kui masin on välja lülitatud ja vooluvõrgust välja tõmmatud, kasutage kaasas olevat padrunvõtit, et keerata lahti keskkatet fikseeriv kuuskantpolt. Keerake kuuskantpoliti vastupäeva ja tõstke saekettakaitse ja keskmine kate üles.

Joon.4

Nüüd, mil saekettakaitse on sellises asendis, saab seda põhjalikumalt ja tõhusamalt puhastada. Pärast puhastamist korrake ülaltoodud menetlust vastupidises järjekorras ning keerake polt kinni. Ärge eemaldage saekettakaitset kinnihoidvat vedru. Kui kaitse on UV-kiirguse või vananemise tõttu kahjustunud, võtke ühendust Makita teeninduskeskusega. **KAITSE KÕRVALEPÖÖRAMINE VÕI EEMALDAMINE ON KEELATUD.**

Otsamislaua paigutamine

Joon.5

Joon.6

See tööriist on varustatud otsamislaudadega eerungiplaadi alusel, mis minimeerivad löike väljumiskülje rebimist. Otsamislaud on tehases reguleeritud nii, et saetera ei puutu nende vastu. Enne kasutamist reguleerige otsamislaudu järgmiselt:

Esiteks eemaldage tööriist vooluvõrgust. Keerake kõik kruvid (3 vasakul ja paremal) lahti ja kinnitage otsamislaud. Keerake kruvid uuesti kinni ainult nii palju, et otsamislaudu saaks käega hõlpsasti liigutada. Keerake käepide kõige alumisse asendisse ja lükake lukustustihvt sisse, et lukustada käepide kõige alumisse asendisse. Keerake lahti liugvardaid kinnihoidev kruvi. Tõmmake kelk lõpuni enda poole. Reguleerige otsamislaudu nii, et need puutuksid löiketerade hammaste vastu. Keerake eesmised kruvid kinni (mitte väga tugevasti). Lükake kelk lõpuni vastu juhtpiiret ja reguleerige otsamislaudu nii, et need oleks kontaktis löiketerade hammastega. Keerake tagumised kruvid kinni (mitte väga tugevasti).

Kui otsamislaudu on seadistatud, vabastage lukustustihvt ja tõstke käepide üles. Seejärel keerake kõik kruvid tugevasti kinni.

NB!:

- **Veenduge peale faasinurga seadistamist, et otsamislaud oleksid korralikult seadistatud.** Otsamislaudade õige seadistamine aitab tagada töödeldavale esemele korraliku toe, piirates maksimaalselt selle purunemise ohtu.

Maksimaalse saagimisjõudluse säilitamine

Antud masina tehaseseadistus pakub 255 mm saekettaga saagimisel maksimaalset saagimisvõimsust. Tõmmake masin enne mis tahes reguleerimistoiminguid vooluvõrgust välja. Uue tera paigaldamisel kontrollige alati tera alumist piirasendit ja vajadusel reguleerige seda järgmiselt:

Joon.7

Joon.8

Esiteks eemaldage tööriist vooluvõrgust. Lükake kelk lõpuni vastu juhtpiiret ja langetage käepide alumisse asendisse. Keerake reguleerimispolti kuuskantvõtmega seni, kuni lõiketera serv ulatub natuke eerungialuse sisse, kus juhtpiirde esiosa on kontaktis eerungialuse pealmise osaga.

Kui tööriist on vooluvõrgust lahutatud, pöörake tera käega, hoides samal ajal käepidet all, et tera ei puutuks vastu alust. Vajadusel reguleerige veidi.

△HOIATUS:

- **Uue saeketta paigaldamise järel (saag peab olema vooluvõrgust lahti ühendatud) veenduge alati selles, et ketas ei satu käepideme alumise asendi korral kokkupuutesse aluse mis tahes osaga.** Saeketta kokkupuude alusega võib kaasa tuua tagasilööke ja põhjustada tõsiseid vigastusi.

Stopperlatti

Joon.9

Tera alumist piirasendit saab stopperlati abil hõlpsasti reguleerida. Reguleerimiseks keerake stopperlati noole suunas, nagu joonisel näidatud. Reguleerige reguleerkruvi nii, et käepideme langetamisel madalaimasse asendisse peatuks tera soovitud asendis.

Eerunginurga reguleerimine

Joon.10

Keerake pide vastupäeva lahti. Keerake eerungiplaati, vajutades samal ajal lukustushoova alla. Kui olete viinud pideme asendisse, kus osuti näitab eerungiskaalal soovitud nurka, keerake pide päripäeva korralikult kinni.

△HOIATUS:

- Pärast eerunginurga reguleerimist kinnitage eerungiplaat pideme abil alati korralikult.

NBI:

- Eerungiplaadi keeramisel tõstke käepide kindlasti kõrgeimasse asendisse.

Kaldenurga reguleerimine

Joon.11

Eerunginurga reguleerimiseks keerake tööriista taga asuv hoob vastupäeva lahti. Lukustage latt lahti, tõugates käepidet üsna jõuliselt selles suunas, kuhu soovite saetera kallutada.

MÄRKUS:

- Hooba saab reguleerida sobiva nurga alla, eemaldades hooba hoidva kruvi ja fikseerides hoova soovitud nurga alla.

Joon.12

Kallutage saetera, kuni osuti näitab kaldenurga skaalal soovitud nurka. Seejärel keerake hoob varda kinnitamiseks korralikult päripäeva kinni.

Joon.13

Kelgu paremale kallutamiseks, suunake kelk pärast hoova vabastamist natuke vasakule ja suruge vabastusnuppu. Samaaegselt vabastusnupule vajutades kallutage kelku paremale.

Joon.14

Kallutage saetera, kuni osuti näitab kaldenurga skaalal soovitud nurka. Seejärel keerake hoob varda kinnitamiseks korralikult päripäeva kinni.

- Kaldenurga muutmisel veenduge, et asetate otsamislaud nii, nagu kirjeldatud lõigus „Otsamislaudade paigaldamine”.

△HOIATUS:

- Pärast kaldenurga reguleerimist kinnitage latt alati korralikult, keerates hooba päripäeva.

NBI:

- Saeketta kallutamisel tõstke käepide täielikult üles.
- Kaldenurga muutmisel veenduge, et asetate otsamislaud nii, nagu kirjeldatud lõigus „Otsamislaudade paigaldamine”.

Liuguri lukustuse reguleerimine

Joon.15

Liuglati lukustamiseks pöörake lukustuskruvi päripäeva.

Lüliti funktsioneerimine

Euroopa riigid

Joon.16

Selleks, et lüliti päästikut poleks võimalik juhuslikult tõmmata, on tööriistal lahtilukustuse nupp. Tööriista käivitamiseks suruge hoob vasakule, vajutage lahtilukustuse nupp sisse ning seejärel tõmmake lüliti päästikut. Seiskamiseks vabastage lüliti päästik.

△HOIATUS:

- **Kontrollige alati enne masina vooluvõrku ühendamist seda, kas päästiklüliti toimib nõuetekohaselt ja liigub lahtilaskmisel tagasi väljalülitatud asendisse. Ärge tõmmake lüliti päästikut tugevasti ilma lahtilukustuse nuppu vajutamata. Vastasel juhul võib lüliti puruneda.** Masina juhtimine lüliti abil, mis ei toimi korralikult, võib kaasa tuua kontrolli kaotamise sae üle ja põhjustada tõsiseid vigastusi.

Masina lukustamiseks on lüliti päästikul ava, mille külge paigaldatakse tabalukk.

Kõik riigid väljaspool Euroopat

Joon.17

Selleks, et lüliti päästikut poleks võimalik juhuslikult tõmmata, on tööriistal lahtilukustuse nupp. Tööriista käivitamiseks vajutage lahtilukustuse nupp sisse ja tõmmake lüliti päästikut. Seiskamiseks vabastage lüliti päästik.

⚠HOIATUS:

- **Kontrollige alati enne masina vooluvõrku ühendamist seda, kas päästiklüliti toimib nõuetekohaselt ja liigub lahtilaskmisel tagasi väljalülitatud asendisse. Ärge tõmmake lüliti päästikut tugevasti ilma lahtilukustuse nuppu vajutamata. Vastasel juhul võib lüliti puruneda.** Masina juhtimine lüliti abil, mis ei toimi korralikult, võib kaasa tuua kontrolli kaotamise sae üle ja põhjustada tõsiseid vigastusi.

Masina lukustamiseks on lüliti päästikul ava, mille külge paigaldatakse tabalukk.

⚠HOIATUS:

- **Ärge kasutage lukustit koos varre või kaabliga, mille läbimõõt on alla 6,35 mm.** Väiksem vars või kaabel ei pruugi masinat korralikult väljalülitatud asendisse lukustada ja masina kogemata käivitamine võib kaasa tuua tõsiseid vigastusi.
- **Masina kasutamine juhul, kui päästiklüliti ei toimi korralikult, on KEELATUD.** Mis tahes masin, mille lüliti on korrast ära, on ÜLIMALT OHTLIK ja vajab enne edasist kasutamist remonti, vastasel juhul on põhjust karta tõsiseid vigastusi.
- Teie ohutuse huvides on masin varustatud lahtilukustuse nupuga, mis hoiab ära masina etteakavatsematu käivitamise. **ÄRGE KUNAGI** masinat kasutage, kui see käivitus ka siis, kui lahtilukustuse nuppu vajutamata lihtsalt lüliti päästikut tõmmata. Remonti vajav lüliti võib põhjustada masina soovimatut sisselülitumise, millega kaasnevad tõsised vigastused. **ENNE** edasist kasutamist viige masin parandamiseks Makita teeninduskeskusesse.
- Vabastusnupu fikseerimine kleelindi vms abil on **KEELATUD**. Fikseeritud vabastusnupuga lüliti võib põhjustada masina soovimatut sisselülitumise, millega kaasnevad tõsised vigastused.

Elektroniline funktsioon

Sujuvkäivituse funktsioon

- Funktsioon võimaldab saagi sujuvalt käivitada, piirates käivitamisel jõumomenti.

Laserkiire funktsioon

Ainult mudelile LS1018L

MÄRKUS:

- Enne esmakordset kasutamist paigaldage kaks AA-tüüpi kuivelementi elemendikarpi. Vaadake paigaldamise kohta lähemalt lõigust „Lasersedme kuivelementide väljavahetamine“.

⚠HOIATUS:

- Kui tööriista ei kasutata, lülitage laser kindlasti välja

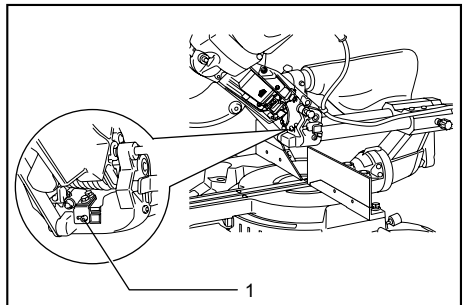
Joon.18

⚠HOIATUS:

- Ärge kunagi vaadake otse laserkiirde. Otsene laserkiir võib silmi kahjustada.
- **LASERKIIRGUS, ÄRGE VAADAKE OTSE KIIRE SISSE, 2. KLASSI LASERTOODE.**
- Eemaldage tööriist vooluvõrgust enne laserjoone nihutamist või reguleerimiste teostamist.

Laserkiire sisselülitamiseks vajutage lüliti ülemist osa (I). Laserkiire väljalülitamiseks vajutage lüliti alumisele osale (0).

Laserjoont saab nihutada saeterast nii paremale kui ka vasakule, keerates laserseadme karbi kinnituskruvi lahti ja nihutades laserjoont soovitud suunas. Pärast nihutamist keerake kruvi kindlasti kinni.



1. Laserseadme karbi kinnituskruvi

010473

Laserjoon on tehases reguleeritud nii, et see paikneb kuni 1 mm kaugusel tera küljepinnast (lõikeasend).

MÄRKUS:

- Kui laserkiir näib otsese päikesevalguse tõttu tuhma ja raskesti märgatavana, kolige tööala ümber kohta, kus otsest päikesevalgust on vähem.

Laserseadme kuivelementide väljavahetamine

Joon.19

Joon.20

Laserseadme kuivelementide kaane eemaldamiseks libistage seda vajutamise ajal. Võtke vanad kuivelemendid välja ja paigaldage nende asemele uued, nagu joonisel on näidatud. Pärast väljavahetamist katke need uuesti kaanega.

Lasertule klaasi puhastamine.

Kui lasertule klaas määrdub või sellele koguneb laserjoone nähtavust halvendav saepuru, lahutage saag vooluvõrgust ning eemaldage lambiklaas ja puhastage seda hoolikalt pehme niiske lapi abil. Ärge kasutage lambiklaasi puhastamiseks lahusteid ega naftapõhiseid puhastusaineid.

MÄRKUS:

- Kui laserjoon on sise- või välistöödel aknast langeva otsese päikesevalguse tõttu tuhm või peaaegu nähtamatu, siis paigutage töökoht mujale, kuhu otsene päikesevalgus ei lange.

KOKKUPANEK

△HOIATUS:

- **Kandke alati hoolt selle eest, et masin oleks enne selle reguleerimist välja lülitatud ning vooluvõrgust välja tõmmatud.** Kui masin ei ole välja lülitatud ja vooluvõrgust välja tõmmatud, võib see lõppeda tõsise vigastusega.

Kuuskantvõtmega padrunvõtme hoiustamine

Joon.21

Padrunvõtit hoitakse joonisel näidatud kohas. Kui padrunvõtit on tarvis, võtke see võtmehoidikust välja. Padrunvõtme kasutamise järel pange see võtmehoidikusse hoiule tagasi.

Saelehe paigaldamine ja eemaldamine

△HOIATUS:

- **Veenduge alati enne saeketta paigaldamist või eemaldamist, et masin oleks välja lülitatud ja vooluvõrgust välja tõmmatud.** Masina ootamatu käivitumine võib lõppeda tõsise vigastusega.
- **Kasutage saeketta paigaldamiseks või mahavõtmiseks üksnes kaasasolevat Makita padrunvõtit.** Kui padrunvõtit ei kasutata, siis võib selle tulemuseks olla liiga kõvasti või liiga lõdvalt kinni keeratud kuuskantpolt ning tõsine vigastus.

Joon.22

Käepideme kinnitamiseks ülestõstetud asendisse suruge kinnitustihvt sisse.

Joon.23

Tera eemaldamiseks keerake otsmutrivõtme abil vastupäeva lahti keskmist katet kinnihoidev kuuskantpolt. Tõstke terakaitse ja keskmine kate üles.

△HOIATUS:

- **Ärge eemaldage ühtegi kruvi peale joonisel näidatud kuuskantpoldi.** Kui eemaldate eksikombel mõne teise kruvi ja terakaitse tuleb küljest ära, siis paigaldage see kindlasti tagasi.

Joon.24

Vajutage vööri lukustamiseks vööri lukku ja keerake kuuskantpolt otsmutrivõtme abil päripäeva lahti. Seejärel eemaldage kuuskantpolt, välimine flanš ja tera.

MÄRKUS:

- Kui eemaldate siseääriku, paigaldage see spindlile nii, et väljaulatav osa oleks pööratud saekettast eemale. Äriku vale paigaldamise korral hakkab see hõõrduma vastu masinat.

△HOIATUS:

- **Veenduge enne saeketta paigaldamist spindlile alati selles, et sisemise ja välimise äriku vahele on paigaldatud kasutatava saeketta völliavaga kokkusobiv hüls.** Vale völliavahülsi kasutamine võib kaasa tuua saeketta vale paigalduse, mis põhjustab saeketta lengerdamist ja tugevat vibratsiooni, mis võib omakorda põhjustada kontrolli kaotust masina üle ning tõsiseid vigastusi.

Joon.25

Tera paigaldamiseks asetage see ettevaatlikult völliile, veendudes, et tera pinnal oleva noole ja terakorpusel oleva noole suund kattub.

Paigaldage välimine flanš ja kuuskantpolt ning keerake seejärel kuuskantpolt (vasakkeermega) otsmutrivõtme abil vastupäeva tugevasti kinni, surudes samal ajal völliilukku.

Joon.26

△HOIATUS:

- Tehases on völliile paigaldatud 25,4 mm või 30 mm välisläbimõõduga rõngas. Enne tera asetamist völliile veenduge alati, et völliile on paigaldatud antud tera völliavaga sobiv rõngas.

Paigaldage välimine flanš ja kuuskantpolt ning keerake seejärel kuuskantpolt otsmutrivõtme abil vastupäeva tugevasti kinni, surudes samal ajal völliilukku.

Joon.27

Viige saekettakaitse ja keskmine kate tagasi algasendisse. Seejärel keerake kuuskantpolt keskmise katte fikseerimiseks päripäeva kinni. Vabastage käepide ülestõstetud asendist, tõmmates kinnitustihvti välja. Langetage käepide, et veenduda saekettakaitse korralikus liikumises. Enne saagimist veenduge selles, et völliilukk on spindli vabastanud.

Tolmukott (tarvik)

Joon.28

Tolmukoti kasutamine muudab saagimise puhtamaks ja kergendab tolmu kogumist. Tolmukoti paigaldamiseks kinnitage see tolmuotsaku külge.

Kui tolmukott on umbes poolenisti täis, eemaldage see tööriista küljest ja tõmmake fiksaator välja. Tühjendage tolmukoti, koputades seda kergelt, et eemaldada külgedele kinnitunud osakesed, mis võivad takistada edasist tolmu kogumist.

MÄRKUS:

Tolmuimeja ühendamisel saaga saate töötada puhtamalt.

Töödeldava detaili fikseerimine

△HOIATUS:

- **Äärmiselt oluline on fikseerida töödeldava ese alati korrektselt õiget tüüpi kinnitusrakise või kaareprofiili stopperitega.** Vastasel korral võib tulemuseks olla tõsine vigastus ja masina ja/või töödeldava eseme kahjustamine.

- **Saeketast ei tohi pärast saagimist tõsta üles enne, kui see on täielikult seiskunud.** Pöörleva saeketta ülestõstmine võib põhjustada tõsiseid vigastusi ja kahjustada töödeldavat eset.
- **Sae tugialusest pikema eseme saagimisel tuleb eseme tugialusest üleulatav osa täies pikkuses toetada, tagades sealjuures eseme rõhtsuse samal kõrgusel.** Töödeldava eseme korralik toetamine hoiab ära saeketta kiilumise ja võimalikud tagasilöögid, mis võivad kaasa tuua tõsiseid vigastusi. Ärge piirduge töödeldava eseme fikseerimisega ainult vertikaalse ja/või horisontaalse kinnitusrakisega. Õhukesed esemed kalduvad rippu vajuma. Toestage töödeldav detail terves ulatuses, et vältida saeketta pitsitamist ja võimalikku TAGASILÖÖKI.

Joon.29

Juhtpiirde (LIIKUV PIIRE) reguleerimine

Joon.30

⚠HOIATUS:

- Enne tööriista kasutamist veenduge, et liikuv piire on tegevasti kinnitatud.
- **Enne kaldlõigete tegemist veenduge, et käepideme täielikul langetamisel ja tõstmisel ükskiõik missugusesse asendisse ning kelgu täies ulatuses lükkamisel ei puutuks ükski tööriista osa, eriti saeketas, vastu piiret.** Kui tööriist või saeketas puudutab piiret, võib see põhjustada tagasilöögi või materjali ootamatu liikumise ning raske kehavigastuse.

Joon.31

⚠HOIATUS:

- Kaldlõigete teostamisel libistage liikuv piire vasakpoolsesse asendisse ja kinnitage, nagu joonisel on näidatud. Muidu satub see kontakti lõiketeraga või tööriista muu osaga, põhjustades kasutajale raskeid vigastusi.

See tööriist on varustatud liikuva piirdega, mis peaks üldjuhul olema paigutatud joonisel näidatud viisil.

Vasakkaldega lõigete teostamisel seadke see aga vasakpoolsesse asendisse, nagu joonisel on näidatud, kui tööriista pea puutub selle vastu.

Kui kaldlõigete teostamine on lõpetatud, ärge unustage liikuvat piiret lähteasendisse viia ja selle kinnituskruvi korralikult kinni keerata.

Alapiire R

⚠HOIATUS:

- Veenduge enne tööriista kasutamist, et alapiire R on tegevasti kinnitatud.
- Enne paremkaldega lõigete teostamist eemaldage alapiire R. See satub kontakti lõiketeraga või tööriista muu osaga, põhjustades kasutajale raskeid vigastusi.

Joon.32

Alapiirde R saab eemaldada juhtpiirde parempoolset küljelt. Alapiirde R eemaldamiseks keerake alapiiret R kinnihoidev kruvi lahti ja tõmmake see välja. Alapiirde paigaldamiseks järgige eemaldamisprotseduuri vastupidises järjekorras.

Kui kaldlõigete teostamine on lõpetatud, ärge unustage alapiiret R lähteasendisse viia ja selle kinnituskruvi korralikult kinni keerata.

Vertikaalne kinnitusrakis

Joon.33

Vertikaalse kinnitusrakise saab paigaldada kas juhtpiirde parem- või vasakpoolsele küljele. Sisestage kinnitusrakise varras juhtpiirde olevasse avasse ja fikseerige juhtpiirde taga oleva kruviga.

Paigutage kinnitusrakise latt vastavalt töödeldava detaili paksusele ja kujule ning fikseerige kruviga. Kui kinnitusrakise latti fikseeriv kruvi puutub vastu juhtpiiret, paigaldage pitskruvi kinnitusrakise lati vastasküljele. Veenduge, et käepideme lõpuni alla langetamisel ja kelgu täies ulatuses lükkamisel või tõmbamisel ei puutu ükski tööriista osa vastu kinnitusrakist. Kui mõni osa puutub vastu kinnitusrakist, paigutage kinnitusrakis ümber.

Suruge töödeldav detail tasaselt vastu juhtpiiret ja eerungiplaati. Asetage töödeldav detail soovitud lõikeasendisse ja fikseerige, keerates kinnitusrakise nupu tegevasti kinni.

⚠HOIATUS:

- **Töödeldav ese tuleb kõigi toimingute sooritamise ajaks suruda kinnitusrakisega kindlalt vastu eerungiplaati ning juhttõkist.** Kui töödeldav ese pole korralikult fikseeritud, võib ese saagimise käigus hakata liikuma ja kahjustada saeketast, millega võib kaasneda eseme eemalepaiskumine, kontrolli kaotus masina üle ning tõsised vigastused.

Horisontaalne kinnitusrakis (lisatarvik)

Joon.34

Horisontaalset kinnitusrakist saab paigaldada kahte asendisse kas põhja vasakule või paremale poole. 10° või suurema kaldega lõigete tegemisel paigaldage horisontaalne kinnitusrakis sellele poolele, mis asetseb selle punkti vastas, kuhu alust kavatsetakse pöörata.

Joon.35

Kinnitusrakise mutri vastupäeva keeramisel kinnitusrakis vabaneb ning seda saab kiiresti sisse/välja liigutada. Töödeldava eseme fikseerimiseks suruge kinnitusrakise nuppu ettepoole, kuni kinnitusrakise plaat puutub vastu töödeldavat eset, seejärel keerake kinnitusrakise nuppu päripäeva. Seejärel keerake kinnitusrakise nuppu töödeldava detaili kinnitamiseks päripäeva.

Töödeldava detaili maksimaalne laius, mille saab horisontaalse kinnitusrakisega kinnitada on 215 mm.

Horizontaalse kinnitusrakise paigaldamisel aluse parempoolsele küljele kasutage töödeldava detaili tugevamaks fikseerimiseks ühtlasi alapiiret R. Alapiirde paigaldamist on kirjeldatud eespool toodud lõigus „Alapiire R“.

⚠️ HOIATUS:

- **Keerake kinnitusrakise nuppu töödeldava eseme korralikuks kinnitamiseks alati päripäeva.** Kui töödeldav ese pole korralikult fikseeritud, võib ese saagimise käigus hakata liikuma ja kahjustada saeketast, millega võib kaasneda eseme eemalpaiskumine, kontrolli kaotus masina üle ning tõsised vigastused.
- Kasutage õhukeste esemete nagu pörandaliistude saagimiseks tõkise vastas alati horisontaalset kinnitusrakist.

Hoidikud

Joon.36

Hoidikud võimaldavad töödeldavat detaili horisontaalsuunas käepäraselt hoida ning neid saab paigaldada mõlemale küljele. Libistage hoidiku vardad lõpuni aluses olevatesse avadesse. Seejärel keerake hoidikud korralikult kruvidega kinni.

⚠️ HOIATUS:

- **Saagimistäpsuse tagamiseks ja masina üle kontrolli kaotamise vältimiseks toestage pikad töödeldavad esemed alati nõnda, et need oleksid eerungiplaadi pealispinnaga tasa.** Töödeldava eseme korralik toestamine hoiab ära saeketta kiulumise ja võimalikud tagasilöögid, mis võivad kaasa tuua tõsiseid vigastusi.

TÖÖRIISTA KASUTAMINE

NB!:

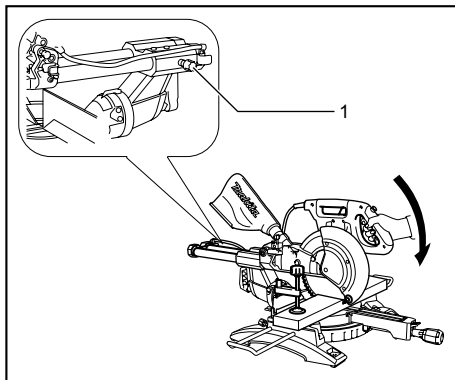
- Enne kasutamist vabastage kindlasti käepide langetatud asendist, tõmmates kinnitustihvti välja.
- Ärge avaldage käepidemele lõikamisel liigset survet. Ülemäärane surve võib põhjustada mootori ülekoormust ja/või vähendada lõikamise tõhusust. Suruge käepide alla ainult sujuva lõikamise tagamiseks tarviliiku jõuga ja nii, et tera kiirus oluliselt ei väheneks.
- Lõike teostamiseks vajutage käepide õrnalt alla. Kui käepidet suruda liiga tugevasti või külgsuunalist jõudu rakendades, hakkab tera vibreerima ja jätab töödeldavale detailile tükke (saetükke) ning lõike täpsus väheneb.
- Liuglõikamisel lükake kelku peatumata õrnalt juhtpiirde poole. Kui kelk lõike teostamise ajal peatada, siis jääb töödeldavale detailile täke ning lõiketäpsus väheneb.

⚠️ HOIATUS:

- **Veenduge selles, et saeketast ei ole enne lüliti sisselülitamist kokkupuutes töödeldava esemega vms-ga.**

Masina sisselülitamine juhul, kui saeketast on töödeldava esemega kokkupuutes, võib põhjustada tagasilööke ja tõsiseid vigastusi.

1. Presslõikamine (väikeste detailide lõikamine)



1. Lukustuskruvi

011409

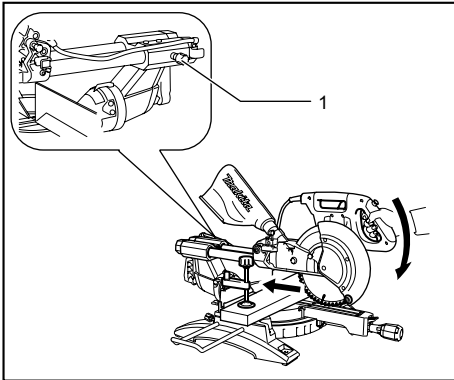
Kuni 91 mm kõrguseid ja 70 mm lauseid detaile saab saagida järgneval viisil.

Lükake kelk lõpuni juhtpiirde suunas ja keerake kinnituskruvi kelgu fikseerimiseks päripäeva kinni. Kinnitage töödeldav ese korrektselt õiget tüüpi kinnitusrakisega. Lülitage masin sisse (saeketast ei tohi ikka veel detaili vastu puutuda) ning oodake enne saeketta langetamist, kuni see saavutab täiskiiiruse. Seejärel langetage töödeldava detaili lõikamiseks käepide madalaimasse asendisse. Kui lõige on teostatud, lülitage tööriist välja ja OODAKE TERA TÄIELIKU PEATUMISENI enne, kui viite selle tagasi ülestõstetud asendisse.

⚠️ HOIATUS:

- **Keerake nuppu kindlalt päripäeva, et kelk töö ajal ei liiguks.** Nupu ebapiisav kinnitus võib põhjustada võimaliku tagasilöögi, mis võib kaasa tuua tõsise vigastuse.

2. Liuglöike (presslöike) teostamine (väikeste detailide lõikamine)



1. Lukustuskruvi

011410

Keerake kinnituskrivi vastupäeva lahti, et kelk saaks vabalt libiseda. Kinnitage töödeldav ese õiget tüüpi kinnitusrakisega. Tõmmake kelk lõpuni enda poole. Lülitage seade sisse (tera ei tohi ikka veel detaili vastu puutuda) ning oodake, kuni see saavutab täiskiiruse. Vajutage käepide alla ja LÜKAKE KELKU JUHTTÖKISE POOLE NING LÄBI TÕODELDAVA ESEME. Kui lõige on teostatud, lülitage seade välja ja OODAKE TERA TÄIELIKU PEATUMISENI enne, kui viite selle tagasi ülestõstetud asendisse.

△HOIATUS:

- **Liugsaagimisel tõmmake kelk esmalt lõpuni enda poole ja vajutage käepide täielikult alla, seejärel lükake kelku juhttökise poole. Saagimist ei tohi alustada enne, kui olete kelgu täielikult enda poole tõmmanud.** Kui sooritate liugsaagimise kelku täielikult enda poole tagasi tõmbamata, võib aset leida ootamatu tagasilööki, mis võib tekitada tõsise vigastuse.
- **Ärge mingil juhul üritage sooritada liugsaagimist kelku enda poole tagasi tõmmates.** Kui tõmbate kelku saagimise ajal enda poole, võib aset leida ootamatu tagasilööki, mis võib tekitada tõsise vigastuse.
- Liugsaagimise sooritamine langetatud asendisse lukustatud käepidemega on keelatud.
- **Kui saeketas pöörleb, on kelku fikseeriva kinnituskrivi lahtikeeramine keelatud.** Kelgu vabanemine saagimise ajal võib põhjustada ootamatu tagasilöögi, mis võib kaasa tuua tõsise vigastuse.

3. Kaldlõike teostamine

Juhinduge eespool toodud lõigust „Eerunginurga reguleerimine”.

4. Fassettlõikamine

Joon.37

Keerake hoob lahti ja kallutage soovitud kaldenurga seadmiseks saetera (juhinduge eespool toodud lõigust „Kaldenurga reguleerimine”). Kindlasti kinnitage hoob korralikult uuesti, et kaldenurk turvaliselt fikseerida. Fikseerige töödeldav detail kinnitusrakise abil. Veenduge, et kelk on lõpuni operaatori poole tõmmatud. Lülitage tööriist sisse (tera ei tohi ikka veel detaili vastu puutuda) ning oodake, kuni tera saavutab täiskiiruse. Seejärel langetage käepide madalaimasse asendisse, avaldades samal ajal teraga paralleelset survet, ning LÜKAKE KELKU TÕODELDAVA DETAILI LÕIKAMISEKS JUHTPIIRDE SUUNAS. Kui lõige on teostatud, lülitage tööriist välja ja OODAKE TERA TÄIELIKU PEATUMISENI enne, kui viite tera tagasi ülestõstetud asendisse.

△HOIATUS:

- **Kui olete saeketta faasisaagimiseks valmis seadnud, veenduge enne masina kasutamist selles, et kelgu ja saeketta liikumisteed on vaba kogu kavandatava saagimise ulatuses.** Kelgu või saeketta liikumise katkestamine saagimise käigus võib põhjustada ootamatu tagasilöögi, mis võib kaasa tuua tõsise vigastuse.
- **Hoidke käed faasisaagimise ajal saeketta teel eemal.** Saeketta nurk võib saeketta tegelikku teekonda saagimise käigus kasutaja eest varjata, kokkupuude saekettaga põhjustab tõsise vigastuse.
- **Saeketast ei tohiks tõsta enne selle täielikku seisumist.** Faasisaagimise käigus võib mahasaetud klots jääda toetuma vastu saeketta külge. Kui saeketas tõstetakse üles enne selle seisumist, võib ketas haarata klotsi kaasa ja paisata eemale, purustades selle ning tekitades tõsise vigastuste ohu.

NB!:

- Käepideme allavajutamisel avaldage saekettaga paralleelset survet. Kui eerungiplaadile püstjalt survet avaldada või kui surve suunda saagimise ajal muuta, siis väheneb saagimise täpsus.
- Enne kaldlõigete tegemist tuleb võib-olla liikuvat piiret reguleerida. Vt lõiku pealkirjaga „Juhtpiirde reguleerimine”.

△HOIATUS:

- Alapiire R tuleb alati eemaldada, et see ei segaks kelgu kasutamist kaldlõikamisel.

5. Liitlõikamine

Liitsaagimine kujutab endast töödeldava detaili samaaegset kaldsaagimist ja eerunginurga saagimist. Liitsaagimist saab teostada tabelis näidatud nurga all.

Eeringinurk	Fassettnurk
Vasak ja parem 0° – 45°	Vasak ja parem 0° – 45°

009713

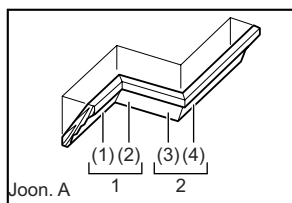
Liitlõike teostamisel juhinduge lõikudest „Presslõikamine”, „Liuglõike teostamine”, „Kaldlõike teostamine” ja „Fassetilõikamine”.

6. Kaare- ja nõgusprofiili freesimine

Kaare- ja nõgusprofiile lõigatakse liitlõikesaega, mille puhul teostatakse saematerjali vigurprofileerimine eeringialuse lamedal pinnal. Kaare vigurprofiili lõikamiseks on kaks erinevat ja nõgusprofiili lõikamiseks üks võimalus; 52/38° kaareprofiili lõikamine, 45° kaareprofiili lõikamine ning 45° nõgusprofiili lõikamine. Vt illustatsioone.

Joon.38

On olemas kaare- ja nõgusprofiilide ühendused, mis sobivad 90° sisenurkadesse ((1) ja (2) joon. A) ja 90° välisnurkadesse ((3) ja (4) joon. A).



Joon. A

001556

1. Sisenurk
2. Välisnurk

Joon.39

Mõõtmine

Mõõtkte ära seina pikkus ja seadistage töödeldava detaili soovitud pikkus lõikamiseks lauale. Kontrollige alati, et lõigatud detaili pikkus **töödeldava detaili tagaosas** on sama mis seina pikkus. Seadistage lõike pikkus vastavalt lõikenurgale. Testimiseks kasutage alati erinevaid lõikeid, et saagimisnurka kontrollida.

Kaare- ja nõgusprofiilide saagimisel seadistage fassetilõike ja kaldenurk nagu näidatud tabelis (A) ja asetage vormid saagimisalusele nagu näidatud tabelis (B).

Vasakpoolne fassetilõige

Tabel (A)

	Freesimisasend joon. A	Fassettnurk		Eeringinurk	
		52/38° tüüp	45° tüüp	52/38° tüüp	45° tüüp
Sisenurga jaoks	(1)	Vasak 33,9°	Vasak 30°	Parem 31,6°	Parem 35,3°
	(2)			Vasak 31,6°	Vasak 35,3°
Välisnurga jaoks	(3)			Parem 31,6°	Parem 35,3°
	(4)				

006361

Tabel (B)

	Freesimisasend joon. A	Freesitav serv vastu juhtpiiret	Valmisdetail
Sisenurga jaoks	(1)	Laepoolne serv peab olema juhtpiirde vastas.	Valmisdetail jääb lõiketerast vasakule.
	(2)	Seinapoolne serv peab olema juhtpiirde vastas.	Valmisdetail jääb lõiketerast paremale.
Välisnurga jaoks	(3)	Laepoolne serv peab olema juhtpiirde vastas.	Valmisdetail jääb lõiketerast vasakule.
	(4)	Seinapoolne serv peab olema juhtpiirde vastas.	Valmisdetail jääb lõiketerast paremale.

006362

Nt:

- 52/38° kaareprofiili lõikamine asendis (1) joon. A:
- Kallutage ja kinnitage fassetilõike nurgaks 33,9° VASAKULE.
 - Seadistage ja kinnitage kaldenurgaks 31,6° PAREMALE.
 - Asetage kaareprofiil tagumise laiema osaga (peidetud) eeringialusele nii, et LAEPOOLNE KONTAKTSEKSERV jääks sael juhtpiirde vastu.
 - Valmistoodet jääb pärast lõikamist lõiketerast alati VASAKULE.

Parempoolne fassetilõige

Tabel (A)

	Freesimisasend joon. A	Fassettnurk		Eeringinurk	
		52/38° tüüp	45° tüüp	52/38° tüüp	45° tüüp
Sisenurga jaoks	(1)	Parem 33,9°	Parem 30°	Parem 31,6°	Parem 35,3°
	(2)			Vasak 31,6°	Vasak 35,3°
Välisnurga jaoks	(3)			Parem 31,6°	Parem 35,3°
	(4)				

006363

Tabel (B)

	Freesimisasend joon. A	Freesitav serv vastu juhtpiiret	Valmisdetail
Sisenurga jaoks	(1)	Seinapoolne serv peab olema juhtpiirde vastas.	Valmisdetail jääb lõiketerast paremale.
	(2)	Laepoolne serv peab olema juhtpiirde vastas.	Valmisdetail jääb lõiketerast vasakule.
Välisnurga jaoks	(3)	Laepoolne serv peab olema juhtpiirde vastas.	Valmisdetail jääb lõiketerast vasakule.
	(4)	Seinapoolne serv peab olema juhtpiirde vastas.	Valmisdetail jääb lõiketerast vasakule.

006364

Nt:

- 52/38° kaareprofiili lõikamine asendis (1) joon. A:
- Kallutage ja kinnitage fassetilõike nurgaks 33,9° PAREMALE.
 - Seadistage ja kinnitage kaldenurgaks 31,6° PAREMALE.
 - Asetage kaareprofiili laiem osa (peidetud) eeringialusele nii, et SEINAPPOOLNE SERV jääks sael juhtpiirde vastu.
 - Valmistoodet jääb pärast lõikamist lõiketerast alati PAREMALE.

7. Alumiiniumprofiilide lõikamine

Joon.40

Joon.41

Alumiiniumprofiilide kinnitamisel kasutage puidust klote või puidujäätmeid, nagu näidatud joonisel, et vältida alumiiniumi deformeerumist. Alumiiniumi lõikamisel kasutage määrdaineid, et vältida alumiiniumipuru kogunemist terale.

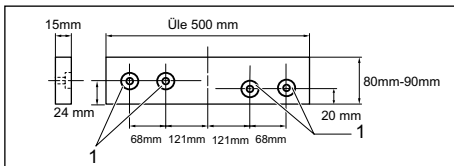
⚠HOIATUS:

- **Ärge üritage saagida pakse või ümaraid alumiiniumprofiile.** Paksude või ümarate alumiiniumprofiilide fikseerimine võib osutuda keerukaks, mistõttu need võivad saagimise käigus lahti tulla, põhjustades kontrolli kaotust sae üle ja tõsiseid vigastusi.

8. Puitääris

Puitäärise kasutamine võimaldab pinnuvaba lõikamist. Kinnitage puitääris juhtpiirdes olevate avade abil juhtpiirde külge.

Puitäärise soovitatavad mõõtmed on toodud joonisel.



1. Augud

010563

⚠HOIATUS:

- Kasutage puitäärisena sirget ja täies pikkuses ühesuguse paksusega puitu.

⚠HOIATUS:

- **Kinnitage puitääris kruvide abil juhttökise külge.** Kruvid tuleb paigaldada nii, et kruvipead jääksid puitäärise pinnast madalamale ning ei segaks seeläbi saetava materjali paigutust. Valesti paigutatud saetav materjal võib hakata saagimise ajal ootamatult liikuma, põhjustades kontrolli kaotamist töö üle ja tõsiseid vigastusi.

NB!:

- Kui paigaldatud on puitääris, siis ärge keerake langetatud käepidemega eerungiplaati. Tera ja/või puitääris saavad kahjustada.

9. Soone lõikamine

Joon.42

Soonelõiget saab teha järgmiselt:

Reguleerige reguleerkrugi abil tera alumist piirasendit ning piirake stopperlati abil tera lõikesügavust. Juhinduge eespool toodud lõigust „Stopperlatt“.

Saagige pärast saeketta alumise piirasendi reguleerimist töödeldavasse detaili laiuti paralleelsed sooned, kasutades liugsaagimist (presssaagimist), nagu joonisel näidatud. Seejärel eemaldage peitli abil soontevaheline materjal.

⚠HOIATUS:

- **Ärge üritage sooritada niisugust saagimist laiemat tüüpi saeketta või soonesaagimisketta abil.** Soonesaagimise katsed laiema saeketta või soonesaagimisketta abil võivad kaasa tuua ootamatuid saagimistulemusi ja tagasilööke, mis võivad põhjustada tõsiseid vigastusi.
- **Seadke stopperlatt kindlasti algasendisse tagasi, v.a soonesaagimise korral.** Kui stopperlatt on vales asendis, võivad saagimiskatsed kaasa tuua ootamatuid tulemusi ja tagasilööke, mis võivad põhjustada tõsiseid vigastusi.

⚠HOIATUS:

- Kui teostate teistsugust lõiget kui soonelõikamist, siis tooge stopperlatt kindlasti tagasi algasendisse.

Tööriista kandmine

Joon.43

Kontrollige, et masin oleks vooluvõrgust eemaldatud. Seadke saeketta faasinurgaks 0° ja pöörake eerungialus parempoolsesse eerunginurga asendisse. Kinnitage liuglatid nii, et alumine liuglatt lukustuks asendis, kus kelk on lõpuni operaatori suunas tõmmatud ja ülemised latt lukustuksid asendis, kus kelk on lõpuni ette juhttökise juurde lükatud (vt osa pealkirjaga „Liuguri lukustuse reguleerimine“.) Käepidemete lukustamiseks alumisse asendisse suunake käepide lõpuni alumisse asendisse ja suruge lukustustihvt sisse.

Kerge toitejuhe kokku, kasutades vastavaid juhtmeheidikuid.

⚠HOIATUS:

- **Lukustustihvt on mõeldud üksnes kandmise ja hoiustamise lihtsustamiseks, selle kasutamine saagimistööde ajal on keelatud.** Lukustustihvti kasutamine saagimistööde sooritamisel võib kaasa tuua saeketta ootamatu nihkumise, põhjustades tagasilöögi ja tõsise vigastuse.

Kandke tööriista joonisel näidatud viisil, hoides kinni tööriista aluse kummaski küljest. Kui eemaldate hoidikud, tolmukoti jne, on tööriista kergem kanda.

⚠HOIATUS:

- Enne masina kandmist fikseerige kõik liikuvad osad. Kui masina osad peaksid selle kandmise ajal nihkuma või libisema, võib see kaasa tuua tasakaalu kaotuse ja põhjustada vigastuse.

HOOLDUS

⚠ HOIATUS:

- **Kandke alati hoolt selle eest, et masin oleks enne selle kontrollimist või hooldamist välja lülitatud ning vooluvõrgust välja tõmmatud.** Kui masin ei ole välja lülitatud ja vooluvõrgust välja tõmmatud, võib see lõppeda ootamatust käitumisest põhjustatud tõsise vigastusega.
- **Parimate tulemuste saavutamiseks peab saeketas olema alati terav ja puhas.** Nüri ja/või määrdund saekettaga saagimine võib kaasa tuua tagasilööke ning põhjustada tõsiseid vigastusi.

NB!:

- Ärge kunagi kasutage bensiini, vedeldit, alkoholi ega midagi muud sarnast. Selle tulemuseks võib olla luitumine, deformatsioon või pragunemine.

Lõikenurga reguleerimine

See tööriist on tehases hoolikalt reguleeritud ja joondatud, kuid rohmakas käsitsemine võib olla seadistusi mõjutanud. Kui tööriist pole korralikult joondatud, siis toimige järgmiselt:

1. Eerunginurk

Joon.44

Lükake kelku juhtpiirde suunas ja keerake kinnituskruvi kelgu fikseerimiseks kinni.

Lõdvendage eerungialust kinnihoidev pide. Pöörake eerungialust nii, et osuti näiduks faasimissaalal jääks 0°. Seejärel pöörake eerungialust kergelt päripäeva ja vastupäeva, et eerungialuse täke kinnitaks faasimistäkke 0° juures. (Jätke nagu on, kui osuti ei näita 0°.) Keerake padrunvõtmeaga lahti juhtpiirde kinnituse kuuskantpoldid.

Joon.45

Käepideme lukustamiseks alumisse asendisse suunake käepide lõpuni alumisse asendisse ja suruge lukustustihvt sisse. Sobitage saeketta külg kolmnurkse joonlauda, vinkli vms abil juhttõkise pinnaga. Seejärel keerake järgemööda korralikult kinni juhttõkise kuuskantavaga poldid, alustades paremalt poolt.

Joon.46

Veenduge, et osuti näitab eerungiskaalal 0°. Kui osuti ei näita 0°, siis keerake osutit kinnihoidev kruvi lahti ja reguleerige osutit nii, et see näitaks 0°.

2. Fassetnurk

(1) 0° kaldenurk

Joon.47

Lükake kelku juhtpiirde suunas ja keerake kinnituskruvi kelgu fikseerimiseks kinni. Käepideme lukustamiseks alumisse asendisse suunake käepide lõpuni alumisse asendisse ja suruge lukustustihvt sisse. Vabastage tööriista taga asetsev hoob.

Joon.48

Keerake lati parempoolsel küljel olevat kuuskantpolti kaks või kolm täispööret vastupäeva, et kallutada tera paremale.

Joon.49

Seadke tera serv ettevaatlikult eerungialuse ülapiinaga risti, kasutades kolmnurkjoonlauda, nurgikut vms, keerates lati parempoolsel küljel asuvat kuuskantpolti päripäeva. Seejärel kinnitage hoob tugevasti.

Joon.50

Veenduge, et lati osuti näitab lati hoidiku kaldenurga skaalal 0°. Kui ei näita 0°, keerake lahti kruvi, mis kinnitab osutit, ja reguleerige seda nii, et see näitaks 0°.

(2) 45° kaldenurk

Joon.51

Seadistage kaldlõike nurgaks 45° alles pärast 0° kaldenurga reguleerimist. 45° vasaku kaldenurga seadistamiseks vabastage hoob ja kallutage saetera lõpuni vasakule. Veenduge, et lati osuti näitab lati hoidiku kaldenurga skaalal 45°. Kui osuti ei näita 45°, keerake lati hoidiku parempoolsel küljel olevat 45° kaldenurga reguleerimispolti, kuni osuti näitab 45°.

45° parema kaldenurga seadistamiseks teostage sama protseduur, nagu eespool kirjeldatud.

Joon.52

Võtke välja ja kontrollige süsiharju regulaarselt. Vahetage välja, kui need on kulunud pikkuseni 3 mm. Hoidke süsiharjad puhtad, nii on neid lihtne hoidikutesse libistada. Mõlemad süsiharjad tuleb asendada korraga. Kasutage üksnes identseid süsiharju.

Joon.53

Kasutage harjahoidikute kaante eemaldamiseks kruvikeerajat. Võtke ära kulunud süsiharjad välja, paigaldage uued ning kinnitage harjahoidikute kaaned tagasi oma kohale.

Pärast kasutamist

- Pärast kasutamist pühkige tööriistale kogunenud laastud ja tolm riidelapi vms abil ära. Hoidke terakaitse lõigus „Terakaitse“ toodud juhiseid järgides puhtana. Rooste vältimiseks määrige tööriista libisevaid detaile masinaõliga.
- Tööriista hoivulepanemisel tõmmake kelk lõpuni enda poole.

Toote OHUTUSE ja TÖÖKINDLUSE tagamiseks tuleb vajalikud remonttööd, muud hooldus- ja reguleerimistööd lasta teha Makita volitatud teeninduskeskustes. Alati tuleb kasutada Makita varuosi.

VALIKULISED TARVIKUD

⚠ HOIATUS:

- **Need Makita lisatarvikud on mõeldud kasutamiseks koos käesolevas juhendis käsitletava Makita tööriistaga.** Muude lisatarvikute kasutamine võib lõppeda tõsise vigastusega.
- **Kasutage Makita lisatarvikuid ainult otstarbekohaselt.** Lisatarviku väärkasutamine võib lõppeda tõsise vigastusega.

Saate vajadusel kohalikust Makita teeninduskeskusest lisateavet nende tarvikute kohta.

- Teras- ja karbiidotsaga saeterad

Eerungisae lõiketerad	Erinevate metallide sujuvaks ja täpseks lõikamiseks.
Kombinatsioon	Üldkasutus tera kiireks ja sujuvaks lõhestamiseks, järkamiseks ja kaldlõigete tegemiseks.
Järkamine	Ristikiu sujuvaks lõikamiseks. Lõikab kiudu puhtalt.
Risti läbilõiked	Liivata sisselõigete jaoks, tera tihkelt vastas.
Mittermetallide eerungisae lõiketerad	Alumiiniumi, vase, messingi, torude ja muude mittermetallide faasimiseks.

006526

- Alapiire R
- Kinnitusrakise moodul (horisontaalne kinnitusrakis)
- Vertikaalne kinnitusrakis
- Kuuskantvõtmega padrunvõti
- Hoidik
- Tolmukott
- Põlv
- Kolmnurkjoonlaud

MÄRKUS:

- Mõned nimekirjas loetletud tarvikud võivad kuuluda standardvarustusse ning need on lisatud tööriista pakendisse. Need võivad riikide lõikes erineda.

РУССКИЙ ЯЗЫК (Исходная инструкция)

Объяснения общего плана

1-1. Стопорный штифт	22-1. Стопорный штифт	38-1. Поясок 52/38 °
2-1. Болты	23-1. Торцовый ключ	38-2. Поясок 45 °
3-1. Ограждение полотна	23-2. Футляр для полотна	38-3. Погонаж 45 ° с закругленным углублением
4-1. Ограждение полотна	23-3. Центральная крышка	39-1. Внутренний угол
5-1. Винт	23-4. Болт с шестигранной головкой	39-2. Наружный угол
5-2. Планка для пропилов	23-5. Ограждение полотна	40-1. Направляющая линейка
6-1. Пильное лезвие	24-1. Футляр для полотна	40-2. Тиски
6-2. Зубья диска	24-2. Торцовый ключ	40-3. Распорный блок
6-3. Планка для пропилов	24-3. Болт с шестигранной головкой	40-4. Алюминиевый профиль
6-4. Резка со скосом влево	24-4. Стрелка	40-5. Распорный блок
6-5. Прямой рез	24-5. Замок вала	41-1. Алюминиевый профиль
6-6. Резка со скосом вправо	25-1. Футляр для полотна	41-2. Направляющая линейка
7-1. Регулировочный болт	25-2. Стрелка	41-3. Распорный блок
7-2. Поворотное основание	25-3. Стрелка	41-4. Горизонтальные тиски (дополнительная принадлежность)
8-1. Верхняя поверхность поворотного основания	25-4. Пильное лезвие	42-1. Вырежьте пазы лезвием
8-2. Периферия лезвия	26-1. Болт с шестигранной головкой (левая резьба)	44-1. Болт с шестигранной головкой
8-3. Направляющая линейка	26-2. Наружный фланец	44-2. Направляющая линейка
9-1. Стопорный рычаг	26-3. Пильное лезвие	44-3. Рукоятка
9-2. Регулировочный винт	26-4. Кольцо	45-1. Направляющая линейка
10-1. Шкала угла резки	26-5. Внутренний фланец	45-2. Треугольная линейка
10-2. Указатель	26-6. Шпindelь	46-1. Винт
10-3. Рычаг блокировки	27-1. Торцовый ключ	46-2. Указатель
10-4. Рукоятка	27-2. Футляр для полотна	46-3. Шкала угла резки
11-1. Рычаг	27-3. Центральная крышка	47-1. Рычаг
12-1. Рычаг	27-4. Болт с шестигранной головкой	47-2. Ручка
12-2. Ручка	27-5. Ограждение полотна	48-1. Болт регулировки нуля
12-3. Указатель	28-1. Пылесборный патрубok	48-2. Болт регулировки угла скоса влево на 45 °
12-4. Линейка угла скоса	28-2. Мешок для пыли	49-1. Треугольная линейка
13-1. Рычаг	28-3. Зажим	49-2. Пильное лезвие
14-1. Указатель	29-1. Опора	49-3. Верхняя поверхность поворотного стола
14-2. Кнопка отсоединения	29-2. Поворотное основание	50-1. Винт
14-3. Линейка угла скоса	30-1. Подвижное ограждение	50-2. Указатель
15-1. Стопорный винт	30-2. Зажимной винт	50-3. Линейка угла скоса
16-1. Кнопка разблокирования	31-1. Подвижное ограждение	51-1. Болт регулировки угла скоса вправо на 45 °
16-2. Курковый выключатель	32-1. Дополнительная линейка R	51-2. Болт регулировки угла скоса влево на 45 °
16-3. Рычаг	32-2. Винты	53-1. Отвертка
16-4. Отверстие для навесного замка	33-1. Ручка тисков	53-2. Колпачок держателя щетки
17-1. Кнопка разблокирования	33-2. Головка тисков	
17-2. Курковый выключатель	33-3. Стержень тисков	
17-3. Отверстие для навесного замка	33-4. Винт	
18-1. Переключатель лазера	33-5. Направляющая линейка	
20-1. Сухая батарея	34-1. Пластина тисков	
21-1. Торцовый ключ с шестигранником	34-2. Гайка тисков	
21-2. Держатель ключа	34-3. Головка тисков	
	36-1. Держатель	

ТЕХНИЧЕСКИЕ ХАРАКТЕРИСТИКИ

Модель	LS1018 / LS1018L
Диаметр полотна	255 мм - 260 мм
Толщина ножа	1,6 мм - 2,4 мм
Диаметр отверстия	
Для всех стран, за исключением европейских стран	25,4 мм
Для европейских стран	30 мм
Макс. размеры распиливаемой детали(В x Ш) с диаметром 260 мм	

Угол резки	Угол скоса		
	45° (влево)	0°	45° (вправо)
0°	50 мм x 310 мм	91 мм x 310 мм	31 мм x 310 мм
45°	50 мм x 220 мм	91 мм x 220 мм	31 мм x 220 мм
60° (вправо)	-	91 мм x 153 мм	-


Число оборотов без нагрузки (мин ⁻¹)	4 300
Тип лазера (только для LS1018L)	Красный лазер 650 нм, < 1 мВт (лазер класса 2)
Размеры (Д x Ш x В)	825 мм x 536 мм x 633 мм
Вес нетто	Для всех стран, за исключением европейских стран.....19,8 кг Для европейских стран.....19,9 кг
Класс безопасности	II

- Благодаря нашей постоянно действующей программе исследований и разработок, указанные здесь технические характеристики могут быть изменены без предварительного уведомления.
- Технические характеристики могут различаться в зависимости от страны.
- Масса в соответствии с процедурой ЕРТА 01/2003


END222-4


Символы


Ниже приведены символы, используемые для электроинструмента. Перед использованием убедитесь, что вы понимаете их значение.

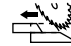
 • Прочитайте руководство пользователя.


 • ДВОЙНАЯ ИЗОЛЯЦИЯ

 • Для предотвращения травм от разлетающихся осколков после распиливания держите головку пилы опущенной вниз до тех пор, пока полотно не остановится полностью.

 • При выполнении скользящего распила, сначала полностью вытяните каретку и нажмите ручку, затем подвиньте каретку к направляющей линейке.

 • Не располагайте руки или пальцы рядом с лезвием.

 • Сместите подвижное ограждение в сторону от диска и ограждения диска.

 • При выполнении правого распиливания под углом снимайте ВСПОМОГАТЕЛЬНОЕ ОГРАЖДЕНИЕ. Несоблюдение этого требования может привести к серьезной травме оператора.



• ЛАЗЕРНОЕ ИЗЛУЧЕНИЕ: Не смотрите на луч. Прямой лазерный луч может вызвать повреждения глаз.



• Только для стран ЕС
Не утилизируйте данный электроинструмент вместе с бытовыми отходами!
В рамках соблюдения Европейской Директивы по утилизации электрического и электронного оборудования и ее применения в соответствии с национальным законодательством, электрооборудование в конце срока своей службы должно утилизироваться отдельно и передаваться для его утилизации на предприятие, соответствующее применяемым правилам охраны окружающей среды.

ENE006-1

Назначение

Данный инструмент предназначен для точных прямых и угловых пропилов в древесине. При использовании соответствующих пильных дисков возможно пиление алюминия.

ENF002-2

Питание

Подключайте данный инструмент только к тому источнику питания, напряжение которого соответствует напряжению, указанному на паспортной табличке. Инструмент предназначен для

работы от источника однофазного переменного тока. Они имеют двойную изоляцию и поэтому может подключаться к розеткам без заземления.

ENG905-1

30.5.2014



Шум

Типичный уровень взвешенного звукового давления (A), измеренный в соответствии с EN61029:

Уровень звукового давления (L_{pA}): 97 дБ (A)
Уровень звуковой мощности (L_{WA}): 103 дБ (A)
Погрешность (K): 3 дБ (A)

ENG900-1

Вибрация

Суммарное значение вибрации (сумма векторов по трем осям) определяется по следующим параметрам EN61029:

Распространение вибрации (a_n): 2,5 м/с² или менее
Погрешность (K): 1,5 м/с²

ENG901-1

- Заявленное значение распространения вибрации измерено в соответствии со стандартной методикой испытаний и может быть использовано для сравнения инструментов.
- Заявленное значение распространения вибрации можно также использовать для предварительных оценок воздействия.

⚠️ ПРЕДУПРЕЖДЕНИЕ:

- Распространение вибрации во время фактического использования электроинструмента может отличаться от заявленного значения в зависимости способа применения инструмента.
- Обязательно определите меры безопасности для защиты оператора, основанные на оценке воздействия в реальных условиях использования (с учетом всех этапов рабочего цикла, таких как выключение инструмента, работа без нагрузки и включение).

ENH003-15

Только для европейских стран

Декларация о соответствии ЕС

Makita заявляет, что следующее устройство (устройства):

Обозначение устройства:

Торцовочная пила консольного типа

Модель/Тип: LS1018, LS1018L

Соответствует (-ют) следующим директивам ЕС: 2006/42/ЕС

Изготовлены в соответствии со следующим стандартом или нормативными документами:

EN61029

Технический файл в соответствии с документом 2006/42/ЕС доступен по адресу:

Makita, Jan-Baptist Vinkstraat 2, 3070, Belgium

000331

Ясуси Фукайа (Yasushi Fukaya)
Директор
Makita, Jan-Baptist Vinkstraat 2, 3070, Belgium

GEA010-1

Общие рекомендации по технике безопасности для электроинструментов

⚠️ **ПРЕДУПРЕЖДЕНИЕ** Ознакомьтесь со всеми инструкциями и рекомендациями по технике безопасности. Невыполнение инструкций и рекомендаций может привести к поражению электротоком, пожару и/или тяжелым травмам.

Сохраните брошюру с инструкциями и рекомендациями для дальнейшего использования.

ENB034-9

ПРАВИЛА ТЕХНИКИ БЕЗОПАСНОСТИ ПРИ ЭКСПЛУАТАЦИИ ТОРЦОВОЧНОЙ ПИЛЫ

1. Держите руки на расстоянии от линии реза пилы. Избегайте контакта с любым, вращающимся по инерции, диском. Он все еще может причинить серьезные травмы.
2. Перед началом работы тщательно проверьте пильный диск на предмет трещин и деформаций.
Немедленно замените поврежденные диски.
3. В случае износа замените планку для пропилов.
4. Используйте только пильные диски, рекомендованные производителем и отвечающие стандарту EN847-1.
5. Не используйте циркулярные пилы, изготовленные из быстрорежущей стали.
6. Используйте защитные очки.
7. Используйте средства защиты слуха, чтобы снизить риск потери слуха.
8. Надевайте защитные перчатки при обращении с дисками для пилы (по возможности диски следует переносить в чехле) и заготовками.
9. При пилении подсоединяйте к угловым пилам устройство сбора пыли.
10. Выбирайте пильные диски в соответствии с распиливаемым материалом.
11. Используйте пилу только для реза древесины, алюминия или подобных материалов.

12. Прежде чем переносить инструмент, обязательно зафиксируйте все подвижные части. Не поднимайте и не переносите инструмент, взявшись за ограждение.
13. Не эксплуатируйте пилу без установленных ограждений. Перед каждым использованием проверьте ограждения полотна. Не эксплуатируйте пилу, если ограждение полотна не перемещается свободно и мгновенно не закрывается. Никогда не фиксируйте и не привязывайте ограждение в открытом положении.
14. Убирайте с пола мусор, например опилки и обрезки.
15. Используйте только пильные диски, маркировка максимальной скорости которых равна или выше максимальной скорости без нагрузки, указанной на инструменте.
16. Если инструмент оснащен лазером или светодиодом, не устанавливайте лазер или светодиод другого типа. Обратитесь для выполнения ремонта в авторизованный сервисный центр.
17. Запрещается удалять обрезки или другие части обрабатываемой детали из области резания, если инструмент работает с незащищенным пильным диском.
18. Не выполняйте каких-либо действий одними руками. При проведении всех типов работ обрабатываемую деталь необходимо прочно закрепить к поворотному основанию и направляющей линейке с помощью тисков. Никогда не держите обрабатываемую деталь руками.
19. Перед каждым разрезом проверяйте устойчивость инструмента.
20. При необходимости закрепите инструмент на верстаке.
21. Устанавливайте под длинные обрабатываемые детали соответствующие дополнительные опоры.
22. Запрещается резать настолько маленькие детали, что их размеры не позволяют надежно закрепить их в тисках. Неправильно зажата деталь может стать причиной отдачи и тяжелых травм.
23. Никогда не пытайтесь дотянуться до какого-либо предмета рядом с диском пилы.
24. Перед перемещением детали или изменением настроек выключите инструмент и дождитесь остановки дисковой пилы.
25. Перед заменой диска или обслуживанием инструмента выключайте инструмент из сети.
26. Стопорный штифт, блокирующий шпиндельную головку, предназначен только для переноски и хранения, а не для каких-либо операций резки.
27. Не пользуйтесь инструментом в присутствии легко воспламеняющихся жидкостей или газов. Работа электроинструмента вблизи горячих жидкостей или газов может стать причиной взрыва и пожара.
28. Используйте только фланцы, указанные для данного инструмента.
29. Следите за тем, чтобы не повредить шпиндель, фланцы (особенно монтажную поверхность) или болт. Повреждение этих деталей может привести к поломке лезвия.
30. Убедитесь в прочном креплении поворотного основания и в его неподвижности во время выполнения работ.
31. Для обеспечения вашей безопасности перед выполнением работ удалите щепки, небольшие детали и т. п. с поверхности стола.
32. Избегайте попадания полотна на гвозди. Перед выполнением работ осмотрите деталь и удалите из нее все гвозди.
33. Перед включением выключателя, убедитесь в том, что блокировка вала снята.
34. Следите за тем, чтобы лезвие не касалось поворотного основания в самом нижнем положении.
35. Крепко держите ручку. Помните, что во время запуска и остановки пила немного движется вверх или вниз.
36. Перед включением выключателя убедитесь в том, что лезвие не касается обрабатываемой детали.
37. Перед использованием инструмента на реальной детали дайте инструменту немного поработать вхолостую. Убедитесь в отсутствии вибрации или биения, которые могут свидетельствовать о неправильной установке или дисбалансе диска.
38. Перед началом резки дождитесь, пока диск не наберет полную скорость.
39. Немедленно прекратите работу, если вы заметили какие-либо отклонения.
40. Не пытайтесь заблокировать курковый выключатель во включенном положении.
41. Будьте постоянно осторожными, особенно при выполнении повторяющихся, монотонных действий. Не подвергайтесь ошибочному чувству безопасности. Полотно не прощает ошибок.
42. Всегда используйте принадлежности, рекомендованные в данном руководстве. Использование несоответствующих принадлежностей, таких как, например, абразивные круги, может привести к травме.
43. Будьте осторожны при выполнении пазов.

44. Некоторые виды пыли, возникающей при пилении, содержат химические вещества, которые могут вызвать рак, врожденные дефекты или оказать отрицательное воздействие на репродуктивные функции организма. Ниже приведены примеры некоторых таких химических веществ:

- Свинец из материала, окрашенного краской с содержанием свинца, а также мышьяк и хром из химически обработанных пиломатериалов.
- Риск вашему здоровью от воздействия данных веществ зависит от частоты выполнения такой работы. Для снижения воздействия таких химических веществ на ваш организм: работайте в хорошо проветриваемом месте с соответствующими средствами обеспечения безопасности, как, например, пылезащитными масками, которые могут задерживать микроскопические частицы.

45. Для снижения шума при пилении дисковая пила всегда должна быть острой и чистой.

46. Оператор имеет соответствующую подготовку для использования, настройки и эксплуатации станка.

СОХРАНИТЕ ДАННЫЕ ИНСТРУКЦИИ.

⚠ ПРЕДУПРЕЖДЕНИЕ:

НЕ ДОПУСКАЙТЕ, чтобы удобство или опыт эксплуатации данного устройства (полученный от многократного использования) доминировали над строгим соблюдением правил техники безопасности при обращении с этим устройством. **НЕПРАВИЛЬНОЕ ИСПОЛЬЗОВАНИЕ** инструмента или несоблюдение правил техники безопасности, указанных в данном руководстве, может привести к тяжелой травме.

УСТАНОВКА

Установка на верстак

Рис.1

При отгрузке с завода ручка инструмента фиксируется в опущенном положении при помощи стопорного штифта. Извлеките стопорный штифт, для чего слегка нажмите на рукоятку и одновременно вытяните стопорный штифт.

Рис.2

Данный инструмент необходимо прикрутить четырьмя болтами к ровной и устойчивой поверхности, используя отверстия для болтов в основании инструмента. Это поможет предотвратить опрокидывание и возможные травмы.

ОПИСАНИЕ ФУНКЦИОНИРОВАНИЯ

⚠ ПРЕДУПРЕЖДЕНИЕ:

- Перед регулировкой или проверкой функций инструмента обязательно убедитесь, что он выключен и его вилка вынута из розетки. Несоблюдение этого требования может стать причиной тяжелой травмы из-за случайного включения инструмента.

Кожух диска

Рис.3

При опускании ручки ограждение режущего диска поднимается автоматически. По завершению резки и поднятию ручки нижнее ограждение режущего диска возвращается в исходное положение.

⚠ ПРЕДУПРЕЖДЕНИЕ:

- Запрещается ломать или снимать ограждение режущего диска или пружину, соединенную с ограждением. Открытый диск в случае поломки ограждения может стать причиной тяжелых травм во время работы.

Для обеспечения личной безопасности всегда поддерживайте ограждение дисковой пилы в рабочем состоянии. Немедленно устраните любые нарушения в работе дисковой пилы. Проверьте возврат ограждения на место под воздействием пружины.

⚠ ПРЕДУПРЕЖДЕНИЕ:

- Запрещается пользоваться инструментом, если ограждение диска или пружина повреждены, неисправны или сняты. Эксплуатация инструмента с поврежденным, неисправным или снятым ограждением может привести к тяжелой травме.

При загрязнении прозрачного ограждения дисковой пилы или налипании на него стружки, когда дисковую пилу и/или обрабатываемую деталь больше не видно, отключите пилу от сети питания и тщательно очистите ограждение влажной тряпкой. Для очистки пластикового ограждения не используйте растворители или какие бы то ни было очистители на основе нефти. Они могут повредить ограждение. Если ограждение диска загрязнено и требует очистки, выполните следующее:

Выключив инструмент и отсоединив его от розетки, прилагаемым ключом ослабьте шестигранный болт крепления центральной крышки. Ослабьте шестигранный болт, повернув его против часовой стрелки, и поднимите ограждение дисковой пилы и центральную крышку.

Рис.4

Такое положение ограждения дисковой пилы обеспечивает возможность его полной и эффективной очистки. После чистки выполните операции в обратном порядке и затяните болт. Не снимайте пружину, удерживающую ограждение дисковой пилы. При повреждении ограждения со временем или под воздействием ультрафиолетовых лучей свяжитесь с сервисным центром компании Makita, чтобы получить новое ограждение. **НЕ ЛОМАЙТЕ И НЕ СНИМАЙТЕ ОГРАЖДЕНИЕ.**

Расположение планки для пропилов

Рис.5

Рис.6

Данный инструмент оборудован планками для пропилов в поворотном основании для уменьшения разрыва на выходной стороне распила. Планки для пропилов отрегулированы на предприятии-изготовителе таким образом, что пыльный диск не касается планок для пропилов. Перед использованием планок для пропилов отрегулируйте их следующим образом:

Сначала отключите инструмент от сети. Ослабьте все винты (по 3 с левой и правой стороны) фиксации плашек для распила. Затяните винты так, чтобы плашки для распила можно было легко перемещать рукой. Полностью опустите ручку и нажмите на стопорный штифт, чтобы зафиксировать ее в опущенном положении. Ослабьте винт крепления подвижных стоек. Подайте на себя каретку полностью. Отрегулируйте положение плашек для распила так, чтобы они лишь соприкасались с боковыми сторонами зубцов режущего диска. Затяните передние винты (сильно не затягивайте). Полностью подайте каретку по направлению к ограждению направляющей и отрегулируйте положение плашек для распила так, чтобы они лишь соприкасались с боковыми сторонами зубцов режущего диска. Затяните задние винты (сильно не затягивайте).

После регулировки плашек для распила освободите стопорный штифт и поднимите рукоятку. Затем надежно затяните все винты.

УВЕДОМЛЕНИЕ:

- **Установив угол фаски, убедитесь в правильной регулировке плашек для распила.** Правильная регулировка плашек для распила помогает добиться надлежащей опоры для заготовки, сводя к минимуму возможность ее срыва с крепления.

Обеспечение максимальной производительности резки

Данный инструмент отрегулирован на заводе таким образом, чтобы обеспечить максимальную режущую способность для дисковой пилы 255 мм.

Перед выполнением любых настроек отключайте инструмент от сети. При установке новой дисковой пилы всегда проверяйте ее нижнее крайнее положение и при необходимости выполняйте регулировки следующим образом:

Рис.7

Рис.8

Сначала отключите инструмент от сети. Полностью сдвиньте каретку к ограждению направляющей и опустите рукоятку до упора. При помощи шестигранного ключа поворачивайте регулировочный болт до тех пор, пока внешний край режущего диска не опустится немного ниже верхней поверхности поворотной базы в точку, где передняя поверхность ограждения направляющей соприкасается с верхней поверхностью поворотной базы.

Отключите инструмент от сети, поверните диск рукой, нажимая на рукоятку до конца, чтобы убедиться в том, что диск не касается никакой из частей нижнего основания. При необходимости, слегка отрегулируйте снова.

⚠ПРЕДУПРЕЖДЕНИЕ:

- **После установки новой дисковой пилы всегда проверяйте, соприкасается пила или нет с какой-либо частью нижнего основания при полностью опущенной ручке.** Задевание диском основания может стать причиной отдачи и причинения тяжелых травм.

Стопорный рычаг

Рис.9

Нижнее предельное положение диска легко регулируется с помощью стопорного рычага. Для регулировки, поверните стопорный рычаг в направлении стрелки, как показано на рисунке. Отрегулируйте регулировочный винт, так, чтобы диск останавливался в необходимом положении при полном опускании рукоятки.

Регулировка угла резки

Рис.10

Ослабьте ручку, повернув ее против часовой стрелки. Поверните основание, нажимая на рычаг блокировки. После перемещения ручки в положение, при котором стрелка указывает на необходимый угол на шкале резки, крепко затяните ручку, повернув ее по часовой стрелке.

⚠ПРЕДУПРЕЖДЕНИЕ:

- После изменения угла резки, всегда закрепляйте поворотное основание, крепко затягивая ручку.

УВЕДОМЛЕНИЕ:

- При повороте поворотного основания, обязательно полностью поднимите рукоятку.

Регулировка угла скоса

Рис.11

Для настройки угла скоса кромки ослабьте рычаг, расположенный на задней части инструмента, повернув его против часовой стрелки. Разблокируйте кронштейн, для чего с усилием подайте ручку в направлении, в котором необходимо наклонить режущий диск.

Примечание:

- Рычаг можно устанавливать под разными углами, для этого следует извлечь винт крепления рычага и закрепить рычаг под другим углом.

Рис.12

Наклоняйте режущий диск до тех пор, пока указатель не покажет необходимый угол на шкале распила под углом. Затем затяните рычаг, повернув его с усилием по часовой стрелке, чтобы зафиксировать кронштейн.

Рис.13

Наклоняя каретку вправо, ослабьте рычаг и немного наклоните каретку влево, затем нажмите кнопку разблокировки. Удерживая кнопку разблокировки нажатой, наклоните каретку вправо.

Рис.14

Наклоняйте режущий диск до тех пор, пока указатель не покажет необходимый угол на шкале распила под углом. Затем затяните рычаг, повернув его с усилием по часовой стрелке, чтобы зафиксировать кронштейн.

- При изменении углов скоса, обязательно устанавливайте планки для пропилов в надлежащее положение согласно разделу "Расположение планки для пропилов".

⚠ПРЕДУПРЕЖДЕНИЕ:

- После изменения угла скоса, всегда закрепляйте кронштейн, затягивая рычаг по часовой стрелке.

УВЕДОМЛЕНИЕ:

- При наклоне диска пилы полностью поднимайте ручку.
- При изменении углов скоса, обязательно устанавливайте планки для пропилов в надлежащее положение согласно разделу "Расположение планки для пропилов".

Регулировка подвижного замка

Рис.15

Чтобы зафиксировать подвижную стойку, поверните блокировочный винт по часовой стрелке.

Действие переключения Для европейских стран

Рис.16

Для предотвращения непреднамеренного включения триггерного переключателя имеется кнопка разблокировки. Для запуска инструмента, нажмите на рычаг влево, нажмите кнопку разблокировки и нажмите триггерный переключатель. Отпустите триггерный переключатель для остановки.

⚠ПРЕДУПРЕЖДЕНИЕ:

- **Перед включением инструмента в сеть обязательно убедитесь, что его курковый выключатель нормально работает и возвращается в положение "OFF" (ВЫКЛ) при отпускании. Не давите сильно на курковый выключатель, если не была нажата кнопка разблокировки. Это может привести к поломке выключателя.** Эксплуатация инструмента с неисправным выключателем может привести к потере контроля над инструментом и получению тяжелой травмы.

В курковом переключателе предусмотрено отверстие под дужку навесного замка для блокировки инструмента.

Для всех стран, за исключением европейских стран

Рис.17

Для предотвращения непреднамеренного включения триггерного переключателя имеется кнопка разблокировки. Для запуска инструмента, нажмите на кнопку разблокировки и затем нажмите на триггерный переключатель. Отпустите триггерный переключатель для остановки.

⚠ПРЕДУПРЕЖДЕНИЕ:

- **Перед включением инструмента в сеть обязательно убедитесь, что его курковый выключатель нормально работает и возвращается в положение "OFF" (ВЫКЛ) при отпускании. Не давите сильно на курковый выключатель, если не была нажата кнопка разблокировки. Это может привести к поломке выключателя.** Эксплуатация инструмента с неисправным выключателем может привести к потере контроля над инструментом и получению тяжелой травмы.

В курковом переключателе предусмотрено отверстие под дужку навесного замка для блокировки инструмента.

⚠ПРЕДУПРЕЖДЕНИЕ:

- **Не используйте замок с дужкой или тросом менее 6,35 мм диаметром. Дужка или трос меньшего размера может не полностью**

зафиксировать инструмент в выключенном положении, что может стать причиной случайного включения и причинения тяжелой травмы.

- **ЗАПРЕЩАЕТСЯ эксплуатировать инструмент с неисправным курковым выключателем.** Инструмент с неисправным курковым выключателем **КРАЙНЕ ОПАСЕН**, перед дальнейшим использованием его необходимо отремонтировать. В противном случае можно получить тяжелую травму.
- В целях безопасности инструмент оснащен кнопкой блокировки, которая предотвращает случайное включение инструмента. **ЗАПРЕЩАЕТСЯ** пользоваться инструментом, если он включается при нажатии куркового выключателя без нажатия кнопки блокировки. Требующий ремонта инструмент может случайно включиться и причинить тяжелую травму. Верните инструмент в сервисный центр Makita для надлежащего ремонта ДО продолжения его эксплуатации.
- **ЗАПРЕЩАЕТСЯ** нарушать работу кнопки блокировки, заклеив ее скотчем, или другими способами. Выключатель с неработающей кнопкой блокировки может стать причиной случайного включения и причинения тяжелой травмы.

Электронная функция

Функция плавного запуска

- Эта функция позволяет плавно включать инструмент путем ограничения пускового момента.

Действие лазерного луча

Только для модели LS1018L

Примечание:

- Перед первым использованием вставьте в отсек аккумуляторов две сухих батареи типа AA. Процедуру установки см. в разделе "Замена сухой батареи лазера".

⚠ ПРЕДУПРЕЖДЕНИЕ:

- Если инструмент не используется, обязательно выключайте лазер

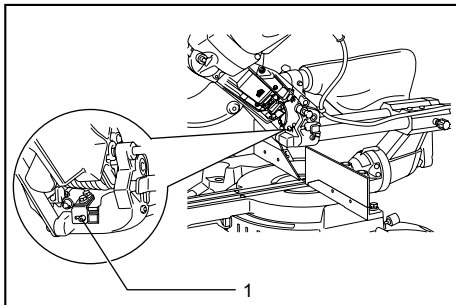
Рис.18

⚠ ПРЕДУПРЕЖДЕНИЕ:

- Никогда не подставляйте глаза под лазерный луч. Прямой лазерный луч может привести к травмам глаз.
- **ЛАЗЕРНОЕ ИЗЛУЧЕНИЕ, НЕ СМОТРЕТЬ НА ЛУЧ, ЛАЗЕРНОЕ ИЗДЕЛИЕ КЛАССА 2.**
- Перед изменением линии наведения лазера и перед началом сервисных регулировок обязательно отключайте инструмент от сети.

Чтобы включить лазерную подсветку, нажмите выключатель в верхней части (1). Чтобы выключить лазерную подсветку, нажмите выключатель в нижней части (0).

Линию наведения лазера можно перемещать вправо и влево от диска пилы. Для этого следует ослабить винт крепления блока лазера и сдвинуть блок в нужном направлении. После перемещения обязательно затяните винт.



1. Заверните, придерживая блок лазера

010473

Линия лазера настроена на предприятии-изготовителе так, что она расположена в пределах 1 мм от боковой поверхности диска (положение резки).

Примечание:

- Если лазерный луч плохо видно из-за яркого солнца, сдвиньте рабочее место туда, где солнца не такое яркое.

Замена сухой батареи лазера

Рис.19

Рис.20

Снимите крышку батарейного отсека лазера. Для этого необходимо надавить на крышку и сдвинуть ее. Извлеките отработанные сухие батареи и вставьте новые как показано на рисунке. После замены установите крышку на место.

Очистка линзы лазерной лампы

Если линза лазерной лампы загрязнится, или если к ней прилипнет столько опилок, что лазерная линия будет уже не видна, выньте шнур пилы из розетки электропитания, выньте линзу лазерной лампы и осторожно очистите ее влажной, мягкой тканью. Не пользуйтесь растворителями или какими-либо очистителями на основе керосина для очистки линзы.

Примечание:

- Если лазерная линия потускнела, почти незаметна или совсем невидима из-за прямых солнечных лучей при работе около окон в помещении или вне помещения, переместите рабочее место на тот участок, который не подвергается воздействию прямых солнечных лучей.

МОНТАЖ

⚠️ ПРЕДУПРЕЖДЕНИЕ:

- **Перед выполнением каких-либо работ на инструменте обязательно убедитесь, что он выключен и его вилка вынута из розетки.** Несоблюдение этого требования может стать причиной тяжелой травмы.

Хранение торцового ключа с шестигранником

Рис.21

Торцовый ключ хранится как показано на рисунке. Когда ключ потребуется, его можно извлечь из держателя. После использования ключ можно установить в держатель для хранения.

Установка или снятие пильного диска

⚠️ ПРЕДУПРЕЖДЕНИЕ:

- **Перед установкой или снятием диска обязательно убедитесь, что инструмент выключен и его вилка вынута из розетки.** Случайное включение инструмента может привести к тяжелым травмам.
- **Для установки и снятия диска пользуйтесь только прилагаемым торцовым ключом Makita.** Несоблюдение этого требования может привести к перетягиванию или недостаточной затяжке шестигранного болта и получению тяжелых травм.

Рис.22

Заблокируйте рукоятку в поднятом положении, нажав на стопорный штифт.

Рис.23

Для снятия диска, с помощью торцового ключа ослабьте шестигранный болт крепления центральной крышки, повернув его против часовой стрелки. Поднимите кожух диска и центральную крышку.

⚠️ ПРЕДУПРЕЖДЕНИЕ:

- **Не выворачивайте какие-либо винты, кроме показанного на рисунке шестигранного болта.** Если вы по ошибке выверните другой винт и кожух диска отсоединится, обязательно установите кожух диска на место.

Рис.24

Нажмите на замок вала, чтобы заблокировать шпиндель, и ослабьте шестигранный болт, повернув его по часовой стрелке с помощью торцового ключа. Затем выньте шестигранный болт, внешний фланец и диск.

Примечание:

- В случае снятия внутреннего фланца обязательно устанавливайте его на шпиндель выступом от шпинделя. Если фланец установлен неправильно, он будет задевать инструмент.

⚠️ ПРЕДУПРЕЖДЕНИЕ:

- **Перед установкой дисковой пилы на шпиндель всегда проверяйте, что между внутренним и внешним фланцами установлено кольцо с соответствующим отверстием для той пилы, которую вы собираетесь использовать.** Использование неправильного кольца с отверстием может привести к неправильной установке диска, что вызовет его перемещение и сильную вибрацию, которая может стать причиной потери контроля над инструментом во время работы и причинения тяжелых травм.

Рис.25

Для установки диска, осторожно наденьте его на шпиндель, убедившись в том, что направление стрелки на поверхности диска соответствует направлению стрелки на футляре для диска.

Установите внешний фланец и шестигранный болт, затем с помощью торцового ключа затяните шестигранный болт (левой рукой) против часовой стрелки, нажимая на замок вала.

Рис.26

⚠️ ПРЕДУПРЕЖДЕНИЕ:

- Кольцо с внешним диаметром 25,4 мм и 30 мм устанавливается на шпиндель на заводе. Перед установкой дисковой пилы на шпиндель всегда проверяйте, что на шпиндель установлено кольцо с соответствующим отверстием для той пилы, которую вы собираетесь использовать.

Установите внешний фланец и болт с шестигранной головкой, а затем хорошо затяните болт, поворачивая его против часовой стрелки при помощи торцевого гаечного ключа, одновременно нажимая стопор вала.

Рис.27

Установите ограждение режущего диска и центральную крышку в первоначальное положение. Затем затяните болт с шестигранной головкой, повернув его по часовой стрелке, чтобы зафиксировать центральную крышку. Отпустите ручку из верхнего положения, потянув стопорный штифт. Опустите ручку так, чтобы ограждение режущего диска перемещалось свободно. Перед началом работы убедитесь в том, что стопор вала расфиксировал шпиндель.

Пылесборный мешок (дополнительная принадлежность)

Рис.28

Использование пылевого мешка обеспечивает чистоту при выполнении работ и легкость сбора пыли. Подсоедините пылевой мешок, установив его на противопылевую насадку.

Когда пылесборный мешок заполнится примерно наполовину, снимите пылесборный мешок с инструмента и вытяните зажим. Удалите содержимое пылесборного мешка, слегка ударив по нему, чтобы удалить частицы, прилипшие к внутренней части, которые могут ухудшить дальнейший сбор пыли.

Примечание:

Подсоединение пылесоса к пиле повышает чистоту операций.

Крепление обрабатываемой детали

⚠ ПРЕДУПРЕЖДЕНИЕ:

- **Очень важно правильно закреплять деталь в тисках или в ограничителях.** Невыполнение этого требования может привести к тяжелым травмам и повреждению инструмента и/или детали.
- **После завершения распиливания не поднимайте диск до тех пор, пока он не остановится полностью.** Поднятие вращающегося диска может привести к тяжелым травмам и повреждению детали.
- **При отрезании детали, длина которой больше опорного основания пилы, необходимо поддерживать выступающую часть по всей длине и на одном уровне, чтобы деталь была ровной.** Надлежащая опора детали поможет предотвратить защемление диска и возможную отдачу, которая может привести к тяжелым травмам. При креплении обрабатываемой детали не полагайтесь полностью только на вертикальные и/или горизонтальные тиски. Детали небольшой толщины могут провисать. Во избежание защемления дисковой пилы и возможной ОТДАЧИ обеспечьте опору обрабатываемой детали по всей ее длине.

Рис.29

Регулировка ограждения направляющей (ПОДВИЖНОЕ ОГРАЖДЕНИЕ)

Рис.30

⚠ ПРЕДУПРЕЖДЕНИЕ:

- Перед включением инструмента убедитесь, что подвижное ограждение надежно закреплено.
- **Перед срезанием фаски убедитесь, что ни одна часть инструмента (особенно диск), не касается ограждения при полном опускании и подъеме рукоятки, а также при**

перемещении каретки по всей длине. Если инструмент или диск коснется ограждения, это может привести к отдаче или неожиданному перемещению материала и тяжелым травмам.

Рис.31

⚠ ПРЕДУПРЕЖДЕНИЕ:

- При срезании фаски сместите подвижное ограждение влево и закрепите как показано на рисунке. В противном случае оно будет касаться диска или другой части инструмента, что может привести к тяжелым травмам оператора.

Этот инструмент оснащен подвижным ограждением, которое обычно должно находиться в положении, показанном на рисунке.

Однако при срезании фаски слева устанавливайте его в левое положение, показанное на рисунке, если наконечник инструмента касается его.

Завершив срезание фаски, обязательно возвращайте подвижное ограждение в исходное положение и закрепляйте, плотно заворачивая винт фиксации.

Сублинейка R

⚠ ПРЕДУПРЕЖДЕНИЕ:

- Перед включением инструмента убедитесь, что правое вспомогательное ограждение надежно закреплено.
- Перед снятием фаски справа снимайте правое вспомогательное ограждение, т. к. оно будет соприкасаться с режущим диском или другой частью инструмента, что может привести к тяжелым травмам оператора.

Рис.32

Правое вспомогательное ограждение можно снять с правой стороны ограждения направляющей. Чтобы снять правое вспомогательное ограждение, ослабьте винт крепления этого ограждения и снимите его. Для установки выполните процедуру снятия в обратной последовательности.

Завершив срезание фаски, обязательно возвращайте правое вспомогательное ограждение в исходное положение и закрепляйте, плотно заворачивая винт фиксации.

Вертикальные тиски

Рис.33

Вертикальные тиски можно установить справа или слева от ограждения направляющей. Вставьте штوك тисков в отверстие ограждения направляющей и затяните винт на задней стороне ограждения, чтобы зафиксировать штук.

Расположите кронштейн тисков в соответствии с толщиной и формой обрабатываемой детали и закрепите кронштейн тисков, затянув винт. Если винт крепления кронштейна тисков соприкасается с

направляющей линейкой, установите винт на противоположной стороне кронштейна тисков. Убедитесь, что никакая часть инструмента не соприкасается с тисками, когда рукоятка полностью опущена, или при перемещении каретки по всей длине в обоих направлениях. Если какая-либо часть касается тисков, отрегулируйте положение тисков. Прислоните обрабатываемую деталь к направляющей линейке и поворотному основанию. Расположите обрабатываемую деталь в необходимом для распиливания положении и надежно закрепите ее, затянув ручку тисков.

⚠ ПРЕДУПРЕЖДЕНИЕ:

- **Во время выполнения всех операций обрабатываемая деталь должна быть надежно закреплена в поворотной базе и ограждении направляющей.** Если деталь не прижата должным образом к ограждениям, материал может сместиться во время резания и повредить диск. В этом случае возможен разлет осколков и потеря контроля над инструментом, что может стать причиной тяжелых травм.

Горизонтальные тиски (дополнительная принадлежность)

Рис.34

Горизонтальные тиски можно установить либо справа, либо слева от основания. При выполнении распилов с углом 10° и более установите горизонтальные тиски на сторону, противоположную направлению поворота поворотного основания.

Рис.35

Для того чтобы расфиксировать тиски с целью быстрой их подачи вперед или назад, поверните гайку тисков по часовой стрелке. Чтобы взяться за деталь, нажмите на рукоятку тисков вперед, чтобы пластина тисков коснулась детали, и поверните гайку тисков по часовой стрелке. Затем поверните рукоятку тисков по часовой стрелке, чтобы зафиксировать деталь.

Максимальная ширина детали, которую можно зажать в горизонтальных тисках, составляет 215 мм. При установке горизонтальных тисков с правой стороны основания, также пользуйтесь сублинейкой R, чтобы лучше закрепить обрабатываемую деталь. Информация об установке сублинейки R приводится в разделе "Сублинейка R" выше.

⚠ ПРЕДУПРЕЖДЕНИЕ:

- **Обязательно поворачивайте гайку тисков по часовой стрелке до полной фиксации детали.** Если деталь не прижата должным образом, материал может сместиться во время резания и повредить диск. В этом случае возможен разлет осколков и потеря контроля над инструментом, что может стать причиной тяжелых травм.

- При обработке тонких деталей (таких как плинтус) вплотную к ограждению, обязательно используйте горизонтальные тиски.

Держатели

Рис.36

Держатели можно установить с любой стороны. Это удобное средство для закрепления заготовки в горизонтальном положении. Вставьте полностью стержни держателей в отверстия основания. Затем надежно затяните винты крепления держателей.

⚠ ПРЕДУПРЕЖДЕНИЕ:

- **Обязательно поддерживайте длинные детали, чтобы они были вровень с поверхностью поворотного основания. Это обеспечит точный разрез и предотвратит опасность потери контроля над инструментом.** Надлежащая опора детали поможет предотвратить защемление диска и возможную отдачу, которая может привести к тяжелым травмам.

ЭКСПЛУАТАЦИЯ

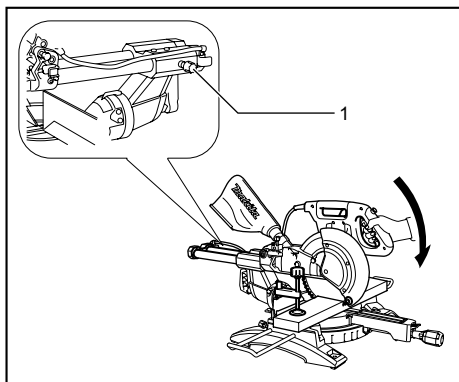
УВЕДОМЛЕНИЕ:

- Перед эксплуатацией обязательно освободите рукоятку из нижнего положения, вытащив стопорный штифт.
- Не прилагайте чрезмерное давление на рукоятку при резке. Избыточное усилие может привести к перегрузке двигателя и/или снижению эффективности резки. Нажимайте на рукоятку только с тем усилием, которое необходимо для плавной резки и без значительного снижения скорости диска.
- Осторожно надавите на рукоятку для выполнения резки. Если нажать на рукоятку с усилием, или если приложить боковое усилие, диск будет вибрировать, и оставит след (след пилы) на обрабатываемой детали, что приведет к снижению точности разреза.
- При выполнении скользящего разреза, осторожно давите на каретку к направляющей линейке без остановки. Если остановить движение каретки во время резки, на обрабатываемой детали останется след, а точность резки будет снижена.

⚠ ПРЕДУПРЕЖДЕНИЕ:

- **Перед включением выключателя убедитесь, что диск и т. д. не касается детали.** Включение инструмента, когда диск касается детали, может привести к возникновению отдачи и тяжелым травмам.

1. Резка с нажимом (резка небольших деталей)



1. Стопорный винт
011409

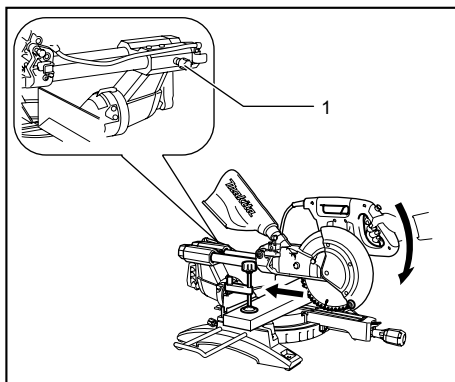
Детали до 91 мм высотой и 70 мм шириной можно обрезать следующим образом.

Подайте каретку по направлению к ограждению направляющей до упора и затяните стопорный винт по часовой стрелке, чтобы зафиксировать каретку. Правильно закрепите деталь в тисках соответствующего типа. Включите инструмент - при этом режущий диск не должен соприкасаться с обрабатываемой деталью - и перед тем, как опустить диск, дождитесь, пока он не наберет максимальные обороты. Затем плавно опустите ручку в крайнее нижнее положение, чтобы распилить обрабатываемую деталь. По завершении распиливания выключите инструмент и **ДОЖДИТЕСЬ ПОЛНОГО ОСТАНОВА РЕЖУЩЕГО ДИСКА** перед тем, как перевести его в крайнее верхнее положение.

⚠ ПРЕДУПРЕЖДЕНИЕ:

- Для того чтобы предотвратить перемещение каретки во время работы, хорошо затяните ручку, повернув ее по часовой стрелке. Недостаточное затягивание ручки может вызвать отдачу и привести к тяжелым травмам.

2. Скользящая резка (с проталкиванием) (резка широких деталей)



1. Стопорный винт
011410

Ослабьте стопорный винт против часовой стрелки таким образом, чтобы каретка свободно перемещалась. Закрепите деталь в тисках соответствующего типа. Подайте на себя каретку полностью. Включите инструмент - при этом режущий диск не должен соприкасаться с обрабатываемой деталью - и дождитесь пока он не наберет максимальные обороты. Нажмите на ручку вниз и **ПОДАЙТЕ КАРЕТКУ К ОГРАЖДЕНИЮ НАПРАВЛЯЮЩЕЙ ЧЕРЕЗ ОБРАБАТЫВАЕМУЮ ДЕТАЛЬ**. По завершении распиливания выключите инструмент и **ДОЖДИТЕСЬ ПОЛНОГО ОСТАНОВА РЕЖУЩЕГО ДИСКА** перед тем, как перевести его в крайнее верхнее положение.

⚠ ПРЕДУПРЕЖДЕНИЕ:

- При выполнении разреза сначала полностью переместите каретку к себе и нажмите рукоятку вниз до упора, затем сдвиньте каретку к ограждению направляющей. Не начинайте резание, пока каретка не сдвинута полностью в сторону оператора. В противном случае возможна неожиданная отдача и причинение тяжелых травм.
- Не пытайтесь выполнять разрез, двигая каретку на себя. В этом случае возможна неожиданная отдача и причинение тяжелых травм.
- Запрещается выполнять разрез, если рукоятка зафиксирована в нижнем положении.
- Не ослабляйте стопорный винт каретки во время вращения диска. Незакрепленная каретка может во время резания вызвать неожиданную отдачу и привести к тяжелым травмам.

3. Резка под углом

См. раздел "Регулировка угла резки" выше.

4. Резка со скосом

Рис.37

Ослабьте рычаг и откиньте пильный диск, чтобы отрегулировать угол скоса (см. раздел "Регулировка угла скоса" выше). Обязательно крепко затяните рычаг, чтобы обеспечить выбранный угол скоса. Закрепите обрабатываемую деталь с помощью тисков. Убедитесь, что каретка полностью вытянута назад по направлению к оператору. Включите инструмент, когда диск ничего не касается, и подождите, пока диск не достигнет полной скорости. Затем осторожно опустите рукоятку в полностью опущенное положение, прилагая давление параллельно диску, и **ДВИГАЙТЕ КАРЕТКУ К НАПРАВЛЯЮЩЕЙ ЛИНЕЙКЕ ДЛЯ РАЗРЕЗА ОБРАБАТЫВАЕМОЙ ДЕТАЛИ**. По завершении резки, отключите инструмент и **ПОДОЖДИТЕ, ПОКА ДИСК НЕ ОСТАНОВИТСЯ ПОЛНОСТЬЮ**, перед тем, как вернуть диск в полностью поднятое положение.

⚠ ПРЕДУПРЕЖДЕНИЕ:

- После настройки диска для снятия фаски, прежде чем приступить к работе, убедитесь, что каретка и диск смогут свободно перемещаться по всей длине предполагаемого разреза. Помехи при движении каретки или диска во время резания могут привести к возникновению отдачи и тяжелым травмам.
- При снятии фаски руки оператора не должны находиться на траектории движения диска. Наклон диска может ввести в заблуждение относительно фактической траектории диска во время резания, и контакт с диском приведет к тяжелым травмам.
- Диск нельзя поднимать до его полного останова. Во время снятия фаски отрезанные части могут попасть под диск. Если поднять вращающийся диск, отрезанная часть детали может быть выброшена с высокой скоростью, материал может разрушиться и причинить тяжелые травмы.

УВЕДОМЛЕНИЕ:

- Нажимайте на ручку так, чтобы давление было направлено вниз параллельно диску. Если усилие прикладывается перпендикулярно к поворотному основанию или если направление давления изменить во время резания, точность разреза нарушится.
- Перед срезанием фаски может потребоваться регулировка подвижного ограждения. См. раздел "Регулировка ограждения направляющей".

⚠ ПРЕДУПРЕЖДЕНИЕ:

- Обязательно снимайте правое вспомогательное ограждение, чтобы оно не задевало каретку при снятии правой фаски.

5. Составная резка

Сложное распиливание – это такое, при котором угол скоса выполняется одновременно с распиливанием детали под углом. Сложное распиливание можно выполнять под углами, указанными в таблице.

Угол резки	Угол скоса
Влево и вправо 0° - 45°	Влево и вправо 0° - 45°

009713

При выполнении составной резки, см. объяснения в разделах "Резка с нажимом", "Скользкая резка", "Резка под углом" и "Резка со скосом".

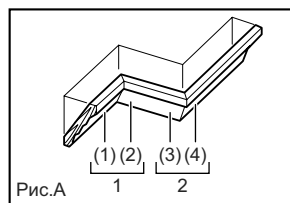
6. Обработка поясков и погонажа с закругленным углублением

Пояски и погонаж с закругленным углублением можно распиливать на пиле для сложной угловой резки. Для этого детали укладываются плашмя на поворотное основание.

Существует два основных типа поясков и один тип погонажа с закругленным углублением: пояски с стеновым углом 52/38°, пояски со стеновым углом 45° и погонаж со стеновым углом 45°. См. рисунки.

Рис.38

Имеются стыковые детали для поясков и погонажа с закругленным углублением для следующих типов углов: "внутренние" углы 90° ((1) и (2) на Рис. А) и "внешние" углу 90° ((3) и (4) на Рис. А).



001556

1. Внутренний угол
2. Наружный угол

Рис.39

Измерение

Измерьте длину стены и отрегулируйте деталь на столе, чтобы обрезать до нужной длины край, контактирующий со стеной. Обязательно проверьте, чтобы длина обрезанной детали **по обратной ее стороне** равнялась длине стены. Отрегулируйте длину среза по углу. Обязательно используйте несколько заготовок для пробных срезов, чтобы проверить угол установки пилы.

При обрезке поясков и погонажа с закругленным углублением устанавливайте угол фаски и угол отрезки как показано в таблице (А), и устанавливайте детали на верхнюю поверхность основания пилы как указано в таблице (В).

В случае снятия левой фаски

Таблица (А)

	Положение пояска на Рис. А	Угол скоса		Угол резки	
		Тип 52/38°	Тип 45°	Тип 52/38°	Тип 45°
Для внутреннего угла	(1)	Левый 33,9°	Левый 30°	Правый 31,6°	Правый 35,3°
	(2)				
Для наружного угла	(3)			Левый 31,6°	Левый 35,3°
	(4)				

006361

Таблица (В)

	Положение пояска на Рис. А	Край пояска у ограждения направляющей	Готовая деталь
Для внутреннего угла	(1)	Край, касающийся потолка, должен находиться рядом с ограждением направляющей.	Готовая деталь будет находиться с левой стороны от ножа.
	(2)	Край, касающийся стены, должен находиться рядом с ограждением направляющей.	
Для наружного угла	(3)	Край, касающийся потолка, должен находиться рядом с ограждением направляющей.	Готовая деталь будет находиться с правой стороны от ножа.
	(4)	Край, касающийся стены, должен находиться рядом с ограждением направляющей.	

006362

Пример:

В случае отрезания пояска типа 52/38° для положения (1) на Рис. А:

- Наклоните и зафиксируйте угол фаски 33,9° ЛЕВЫЙ.
- Отрегулируйте и зафиксируйте угол отрезки 31,6° ПРАВЫЙ.
- Положите поясок широкой стороной (обратной) на поворотное основание так, чтобы КРАЙ, КОНТАКТИРУЮЩИЙ С ПОТОЛКОМ, был прижат к ограждению направляющей на пиле.
- После обрезки готовая деталь будет с ЛЕВОЙ стороны от диска пилы.

В случае снятия правой фаски

Таблица (А)

	Положение пояска на Рис. А	Угол скоса		Угол резки	
		Тип 52/38°	Тип 45°	Тип 52/38°	Тип 45°
Для внутреннего угла	(1)	Правый 33,9°	Правый 30°	Правый 31,6°	Правый 35,3°
	(2)				
Для наружного угла	(3)			Левый 31,6°	Левый 35,3°
	(4)				

006363

Таблица (В)

	Положение пояска на Рис. А	Край пояска у ограждения направляющей	Готовая деталь
Для внутреннего угла	(1)	Край, касающийся стены, должен находиться рядом с ограждением направляющей.	Готовая деталь будет находиться с правой стороны от ножа.
	(2)	Край, касающийся потолка, должен находиться рядом с ограждением направляющей.	
Для наружного угла	(3)	Край, касающийся потолка, должен находиться рядом с ограждением направляющей.	Готовая деталь будет находиться с левой стороны от ножа.
	(4)	Край, касающийся стены, должен находиться рядом с ограждением направляющей.	

006364

Пример:

В случае отрезания пояска типа 52/38° для положения (1) на Рис. А:

- Наклоните и зафиксируйте угол фаски 33,9° ПРАВЫЙ.
- Отрегулируйте и зафиксируйте угол отрезки 31,6° ПРАВЫЙ.
- Положите поясок широкой стороной (обратной) на поворотное основание так, чтобы КРАЙ, КОНТАКТИРУЮЩИЙ СО СТЕНЕЙ, был прижат к ограждению направляющей на пиле.
- После обрезки готовая деталь будет с ПРАВОЙ стороны от диска пилы.

7. Резка алюминиевого профиля

Рис.40

Рис.41

При креплении алюминиевого профиля, используйте распорные блоки или детали металллолома, как показано на рисунке, чтобы предотвратить деформацию алюминия. При резке алюминиевого профиля используйте смазочное вещество для резки, чтобы предотвратить накопление алюминиевого материала на диске.

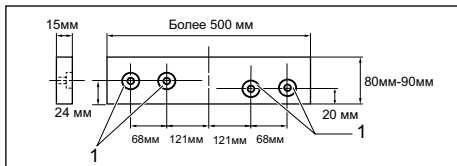
⚠️ ПРЕДУПРЕЖДЕНИЕ:

- **Никогда не пытайтесь распиливать толстые алюминиевые пластины или круглые детали из алюминия.** Толстые или круглые алюминиевые детали трудно закрепить, во время резания они могут сорваться, вызвать потерю контроля над инструментом и причинить тяжелые травмы.

8. Деревянная облицовка

Использование деревянной облицовки позволяет добиться распиливания обрабатываемых деталей без расколов. Прикрепите деревянную облицовку к направляющей линейке с помощью отверстий в направляющей линейке.

Размеры предлагаемой деревянной облицовки показаны на рисунке.



1. Отверстия
010563

⚠️ ПРЕДУПРЕЖДЕНИЕ:

- Используйте прямую доску одинаковой толщины в качестве деревянной облицовки.

⚠️ ПРЕДУПРЕЖДЕНИЕ:

- Для крепления деревянной накладки к ограждению направляющей используйте винты. Винты необходимо устанавливать так, чтобы их головки располагались ниже поверхности деревянной накладки и не мешали установке материала. Неправильное расположение материала может вызвать неожиданное смещение во время резания, что может вызвать потерю контроля над инструментом и причинить тяжелые травмы.

УВЕДОМЛЕНИЕ:

- Когда деревянная облицовка прикреплена, не поворачивайте поворотное основание при опущенной рукоятке. Это приведет к повреждению диска и/или деревянной облицовки.

9. Резка пазов

Рис.42

Можно вырезать соединительный прямоугольный паз следующим образом:

Отрегулируйте нижнее предельное положение диска с помощью регулировочного болта и стопорного рычага, чтобы ограничить глубину резки диска. См. раздел "Стопорный рычаг", приведенный выше.

После настройки крайнего нижнего положения диска сделайте параллельные надрезы поперек детали путем толкающего резания как показано на рисунке. Затем удалите материал детали между надрезами с помощью стамески.

⚠️ ПРЕДУПРЕЖДЕНИЕ:

- Не пытайтесь выполнять такое резание при помощи более широкого диска или диска для выборки пазов. Попытка сделать надрез с помощью широкого диска или диска для выборки пазов может привести к неожиданным результатам и возникновению отдачи, которые могут стать причиной тяжелых травм.
- Обязательно возвращайте ограничительный рычаг в исходное положение, если выполняете какой-либо разрез кроме выборки паза. При попытке

разреза с ограничительным рычагом в неправильном положении может привести к неожиданным результатам и возникновению отдачи, которые могут стать причиной тяжелых травм.

⚠️ ПРЕДУПРЕЖДЕНИЕ:

- Обязательно возвратите стопорный рычаг в первоначальное положение при выполнении других разрезов, за исключением резки пазов.

Переноска инструмента

Рис.43

Отключите инструмент от сети питания. Зафиксируйте режущий диск с углом фаски 0° и поворотную базу с полным правым углом отрезки. Зафиксируйте подвижные стойки так, чтобы нижняя подвижная стойка была закреплена в положении максимального сдвига каретки к оператору, а верхние стойки были закреплены в положении каретки, полностью сдвинутой вперед к ограждению направляющей (см. раздел "Регулировка подвижного замка".) Полностью опустите ручку и нажмите на стопорный штифт, чтобы зафиксировать ее в опущенном положении.

Намотайте шнур питания на специальные опоры.

⚠️ ПРЕДУПРЕЖДЕНИЕ:

- Стопорный штифт предназначен только для переноски и хранения инструмента, а не для выполнения каких бы то ни было операций по распиливанию. Использование стопорного штифта для операций резания может вызвать неожиданное перемещение режущего диска, что приведет к отдаче и тяжелым травмам.

Переносите инструмент, держа за обе стороны основания инструмента, как показано на рисунке. Если Вы уберете держатели, пылесборный мешок и т.д., Вы сможете проще переносить инструмент.

⚠️ ПРЕДУПРЕЖДЕНИЕ:

- Прежде чем переносить инструмент, обязательно зафиксируйте все подвижные части. Если во время переноски какие-либо компоненты инструмента движутся или скользят, можно потерять контроль над инструментом и получить тяжелую травму.

ТЕХОБСЛУЖИВАНИЕ

⚠️ ПРЕДУПРЕЖДЕНИЕ:

- Перед осмотром или обслуживанием инструмента обязательно убедитесь, что он выключен и его вилка вынута из розетки. Несоблюдение этого требования может стать причиной тяжелой травмы из-за случайного включения инструмента.

- Для обеспечения эффективной и безопасной работы всегда содержите пилу наточенной и чистой. Использование тупого или загрязненного диска может привести к возникновению отдачи и тяжелым травмам.

УВЕДОМЛЕНИЕ:

- Запрещается использовать бензин, лигроин, растворитель, спирт и т.п. Это может привести к изменению цвета, деформации и появлению трещин.

Регулировка угла резки

Данный инструмент тщательно отрегулирован и выверен на предприятии-изготовителе, но грубая эксплуатация может нарушить регулировку. Если регулировка Вашего инструмента нарушена, выполните следующее:

1. Угол резки

Рис.44

Подайте каретку по направлению к ограждению направляющей и затяните стопорный винт, чтобы зафиксировать каретку.

Ослабьте ручку, фиксирующую поворотное основание. Поверните поворотное основание так, чтобы указатель показывал 0° по шкале угла отрезки. Затем немного поверните поворотное основание по часовой стрелке и против часовой стрелки, чтобы установить поворотное основание у отметки угла отрезки 0°. (Если указатель не показывает на 0°, оставьте как есть.) Торцовым ключом ослабьте болты с головкой под внутренний шестигранник, крепящие ограждение направляющей.

Рис.45

Полностью опустите ручку и нажмите на стопорный штифт, чтобы зафиксировать ее в опущенном положении. При помощи треугольника, плотничного угольника и т. д. выровняйте сторону дисковой пилы с поверхность ограждения направляющей. Затем хорошо затяните шестигранные болты ограждения направляющей, начиная с правой стороны.

Рис.46

Убедитесь, что стрелка указывает на 0° на шкале угла резки. Если стрелка не указывает на 0°, ослабьте винт крепления стрелки и отрегулируйте стрелку, чтобы она указывала на 0°.

2. Угол скоса

- (1) Угол скоса в 0°

Рис.47

Подайте каретку по направлению к ограждению направляющей и затяните стопорный винт, чтобы зафиксировать каретку. Полностью опустите ручку и нажмите на стопорный штифт, чтобы

зафиксировать ее в опущенном положении. Ослабьте рычаг, расположенный на задней части инструмента.

Рис.48

Поверните шестигранный болт с правой стороны рычага на два-три оборота против часовой стрелки, чтобы наклонить диск пилы вправо.

Рис.49

Осторожно выровняйте сторону режущего диска с верхней поверхностью поворотной базы при помощи треугольника, плотничного угольника и т. д., поворачивая шестигранный болт с правой стороны рычага по часовой стрелке. Затем надежно затяните рычаг.

Рис.50

Убедитесь в том, что указатель на кронштейне установлен на 0° шкалы распилы под углом, расположенной на держателе кронштейна. Если он не показывает на 0°, ослабьте винт крепления указателя и отрегулируйте так, чтобы он указывал на 0°.

- (2) Угол скоса в 45°

Рис.51

Выполняйте настройку угла фаски 45° только после настройки угла фаски 0°. Для того чтобы настроить угол фаски 45°, ослабьте рычаг и полностью наклоните режущий диск влево. Убедитесь в том, что указатель на кронштейне установлен на 45° шкалы распилы под углом, расположенной на держателе кронштейна. Если указатель не совпадает с меткой 45°, поворачивайте регулировочный болт угла скоса кромки 45°, расположенный на правой стороне держателя рычага, до тех пор, пока указатель не совпадет с меткой 45°.

Чтобы отрегулировать правый угол фаски 45°, выполните операцию, описанную выше.

Рис.52

Регулярно снимайте угольные щетки и проверяйте их износ. Замените их, когда они изнашиваются так, что их длина будет составлять 3 мм. Угольные щетки всегда должны быть чистыми и свободно перемещаться в держателях. Заменяйте обе угольные щетки одновременно. Используйте только идентичные угольные щетки.

Рис.53

Используйте отвертку для снятия крышек щеткодержателей. Извлеките изношенные угольные щетки, вставьте новые и закрутите крышки щеткодержателей.

После использования

- После использования инструмента сотрите щепу и пыль, прилипшие к инструменту, с помощью ткани или подобного предмета. Содержите кожух диска в чистом виде в соответствии с инструкциями в разделе "Кожух диска". Смазывайте скользящие части машинным маслом для предотвращения коррозии.
- При хранении инструмента полностью вытяните каретку на себя.

Для обеспечения БЕЗОПАСНОСТИ и НАДЕЖНОСТИ оборудования, ремонт, любое другое техобслуживание или регулировку необходимо производить в уполномоченных сервис-центрах Makita, с использованием только сменных частей производства Makita.

ДОПОЛНИТЕЛЬНЫЕ АКСЕССУАРЫ

ПРЕДУПРЕЖДЕНИЕ:

- **Данные принадлежности или приспособления рекомендуются для использования с инструментом Makita, указанным в настоящем руководстве.** Использование любых других принадлежностей или приспособлений может привести к тяжелым травмам.
- **Используйте принадлежности или приспособления Makita только по назначению.** Неправильное использование принадлежности или приспособления может привести к тяжелым травмам.

Если вам необходимо содействие в получении дополнительной информации по этим принадлежностям, свяжитесь со своим местным сервис-центром Makita.

- Стальные и твердосплавные пильные диски

Ножи для станка угловой резки	Для гладкой и точной резки различных материалов.
Комбинированный	Универсальный диск для быстрого и ровного разреза, поперечного распила и среза под углом 45°.
Поперечная распиловка	Для более гладкой резки поперек волокон. Чистый срез поперек волокон.
Тонкие поперечные распилы	Для чистого разрезания поперек волокон.
Ножи из цветных металлов для станка угловой резки	Для приспособлений угловой резки из алюминия, меди, латуни, трубных элементов и других цветных металлов.

006526

- Сублинейка R
- Блок тисков (горизонтальные тиски)
- Вертикальные тиски
- Торцовый ключ с шестигранником
- Держатель
- Пылесборный мешок
- Колено
- Треугольная линейка

Примечание:

- Некоторые элементы списка могут водить в комплект инструмента в качестве стандартных приспособлений. Они могут отличаться в зависимости от страны.

Makita Jan-Baptist Vinkstraat 2, 3070, Belgium
Makita Corporation Anjo, Aichi, Japan