

Integrated Professional Cleaning



IPC Foma



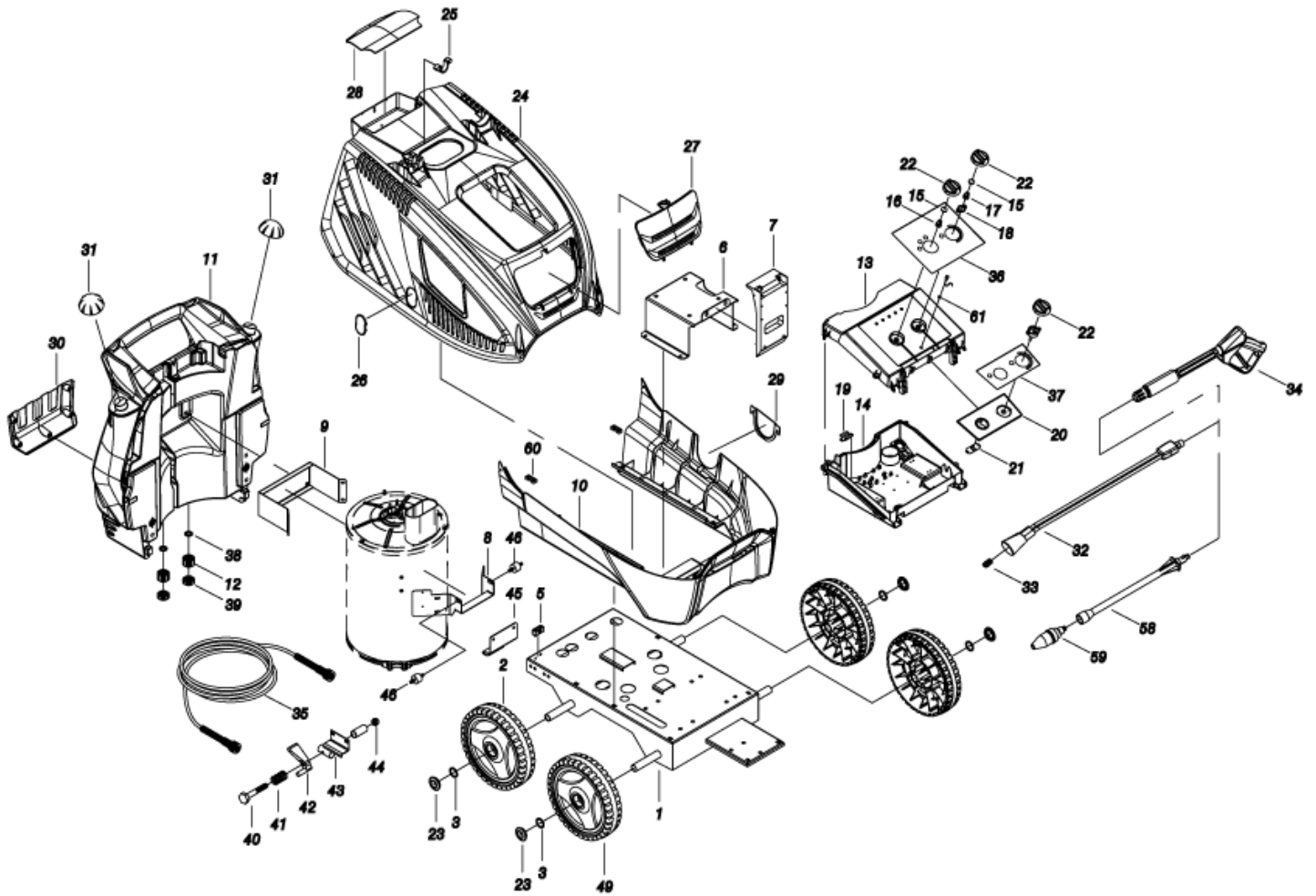
IPC Sverige

Spare Parts List

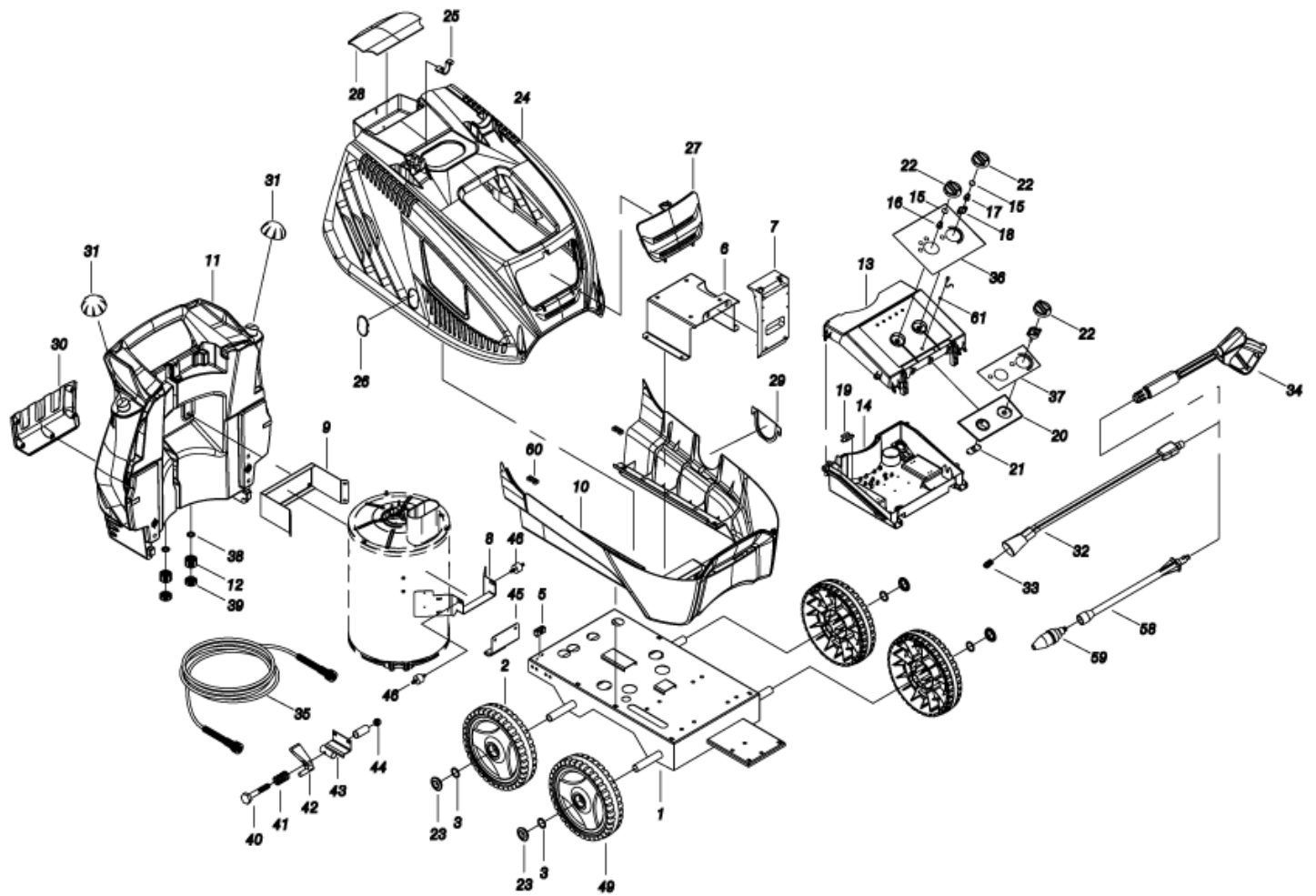
FOMA NORGE AS

Ref: IDAC40641

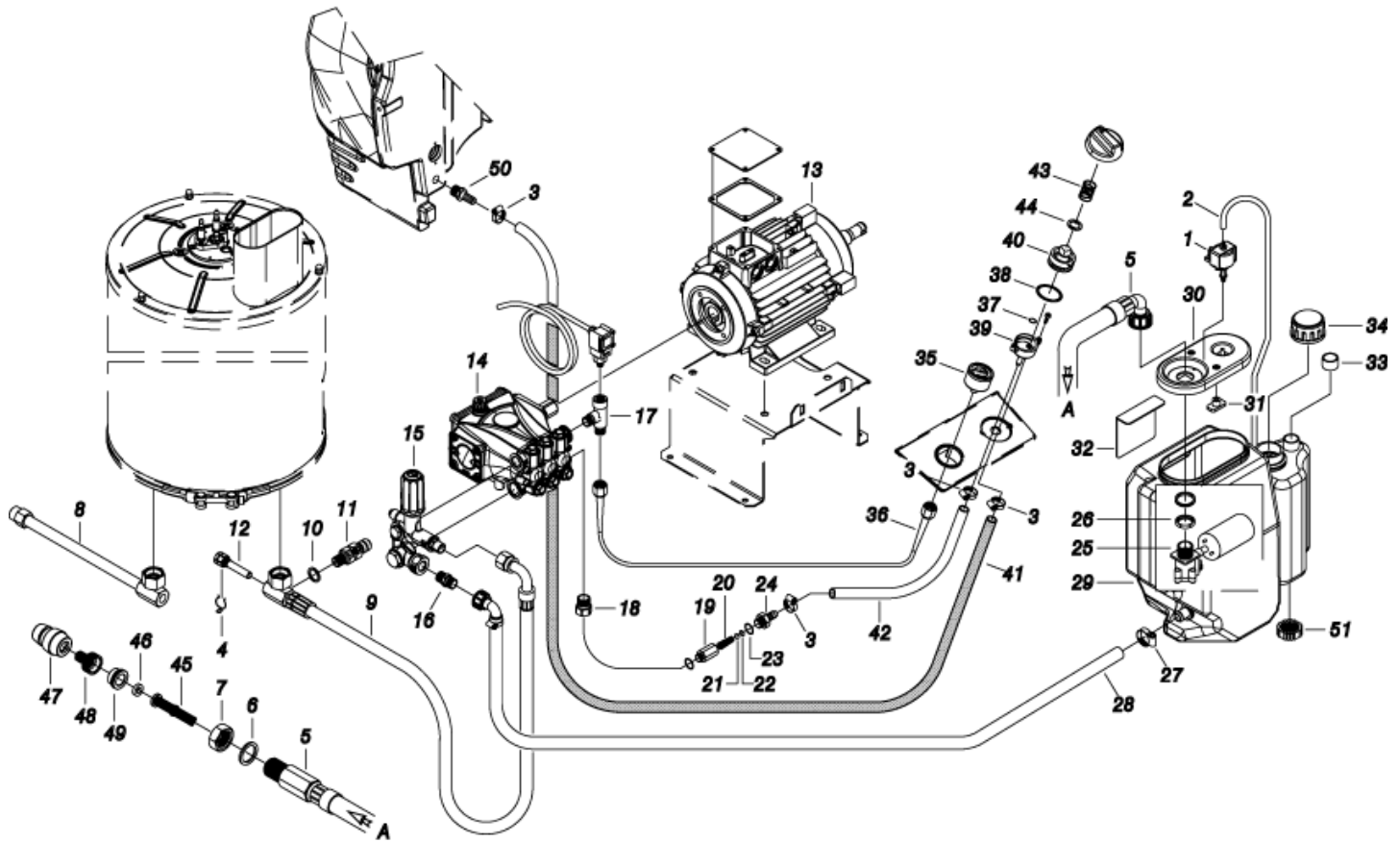
Model: IDROP PW-H35/4S D1813Pm T 400/50 3-09IPC



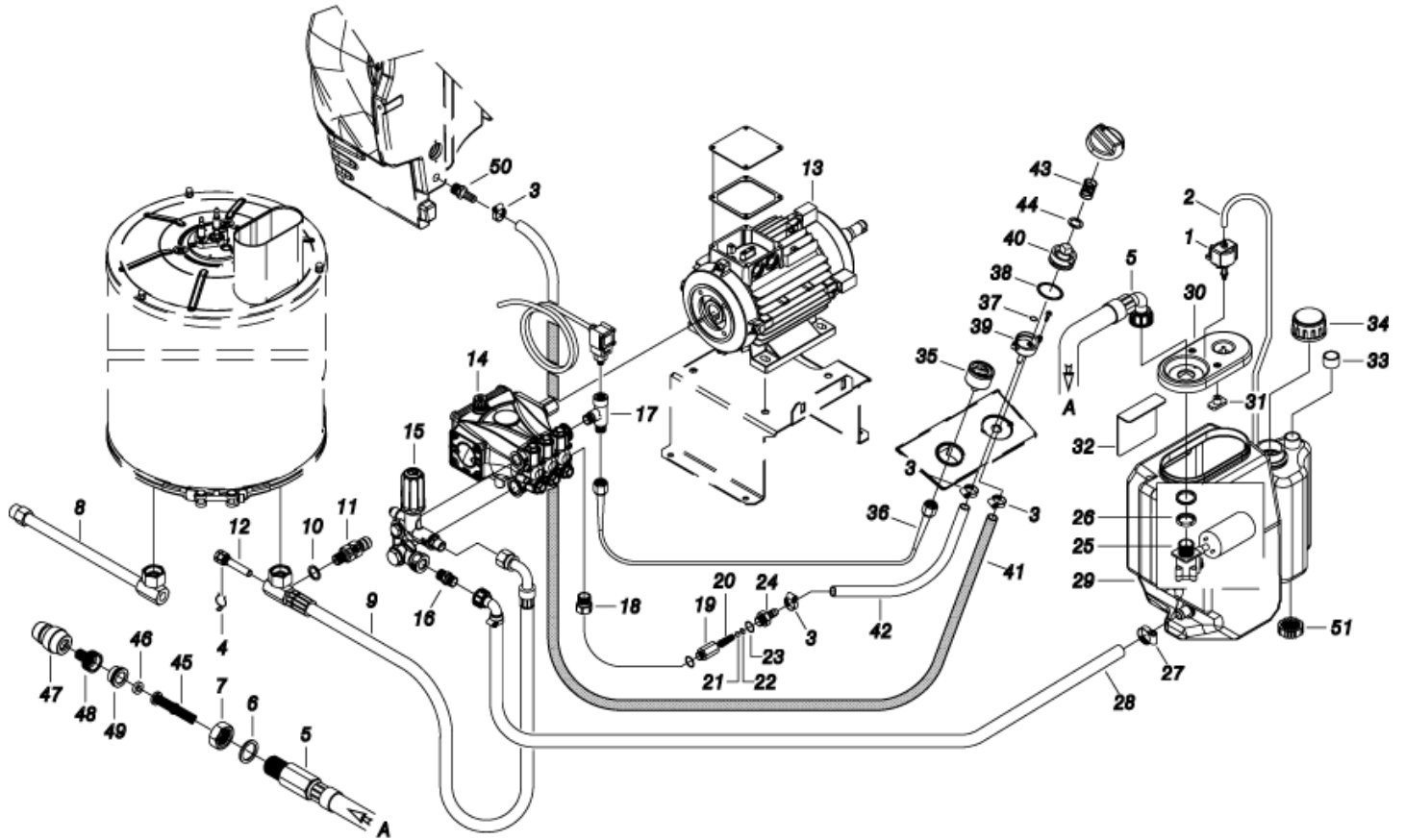
Ref.	K	Part N.	Customer Part N.	Description	Qty	Validity:		Price
						From	To	
0001		LAFN40559		CHASSIS PW-H35/4W BK.	1,00			--
0002		RTRT45383		WHEEL D.305-D.25 RT-IPC	2,00			--
0003		VTRS09813		WASHER D.25	4,00			--
0005		MEVR20906		CABLE FASTNER KSM	1,00			--
0006		LAFN40614		MOTOR SUPPORT PW-H35 5.5Hp-PM ZC.	1,00			--
0007		MPVR33534		BOX SUPPORT MST PA 66	1,00			--
0008		LAFN40563		SUPPORT PW-H35 PM ZC.	1,00			--
0009		LAFN40571		BRACKET PW-H35 PM ZC	1,00			--
0010		MPVR40591		BLACK COVER PW-H35 INF.P/2P-PM PP	1,00			--
0011		MPVR40519		TANK PW-H35 PEHD BK.	1,00			--
0012		PVVR11806		DISCHARGE CAP FLL	2,00			--
0013		MPVR40540		BOX COVER PW-H35 ABS BK.	1,00			--
0014		MPVR40541		CONTROL BOX PW-H35 ABS BK.	1,00			--
0015		GUGO25527		O-RING D. 14 X 3 NBR 70SH	2,00			--
0016		MPVR23482		TAIL PIECE TEC. TUV	1,00			--
0017		MPVR23484		TAIL PIECE THERM.KSM TUV	1,00			--
0018		MPVR41903		THICKNESS TERM.IM.PA66	1,00			--
0019		LAFN46067		SUPPORT L.60 P176	2,00			--
0020		MPVR40542		ANT. PANEL PW-H35 ABS BK.	1,00			--
0021		LAFN40561		JUNCTION BOARD PW-H35 ZC.	1,00			--
0022		MPVR49057		BLACK KNOB P176-M.RACE PA6	1,00			--
0022		MPVR49057		BLACK KNOB P176-M.RACE PA6	2,00			--
0023		MPVR40535		HUB CAP D. 305 RT/H35 V.368C	2,00			--
0024		MPVR40525		GREEN COVER PW-H35 SUP.PP GR.368C	1,00			--
0024		FSVR62795		PLATE DI FISSAGGIO RPD0074	2,00			--
0025		MPVR40485		RUBBER PW-H35 15-20BK.	1,00			--
0025		MPVR40534		PIN PW-H35 PP BK.	2,00			--
0026		MPVR40539		DOOR PW-H35 PPL NT.	1,00			--
0027		MPVR40527		DOOR PW-H35 PPL GR.368C	1,00		12/2014	--
0027		MPVR40660		DOOR PW-H35 PPL BK.	1,00	01/2015		--
0028		MPVR40529		DOOR PW-H35 PPL V.368C PST	1,00		12/2014	--
0028		MPVR40661		DOOR PW-H35 PPL BK. PST	1,00	01/2015		--
0029		MPVR40532		DOOR PW-H35 PPL BK.INF.	1,00			--
0030		MPVR40533		TOOL HOLDER PW-H35 PP BK.	1,00			--
0031		MPVR40187		TANK CAP P215 PEHD C/F.	2,00			--
0032		LCPR12983		DOUBLE EXTENS. PD 70	1,00			--
0033		UGLN40000		NOZZLE LECH 1/4 15034	2,00			--
0034		IPPR40010		GRIP G 5100+P.330 +M22 SW.M V	1,00			--
0035		TBAP44379		H.P. HOSE R1 MT 20 5/16" C/2 IRV ZC	1,00			--



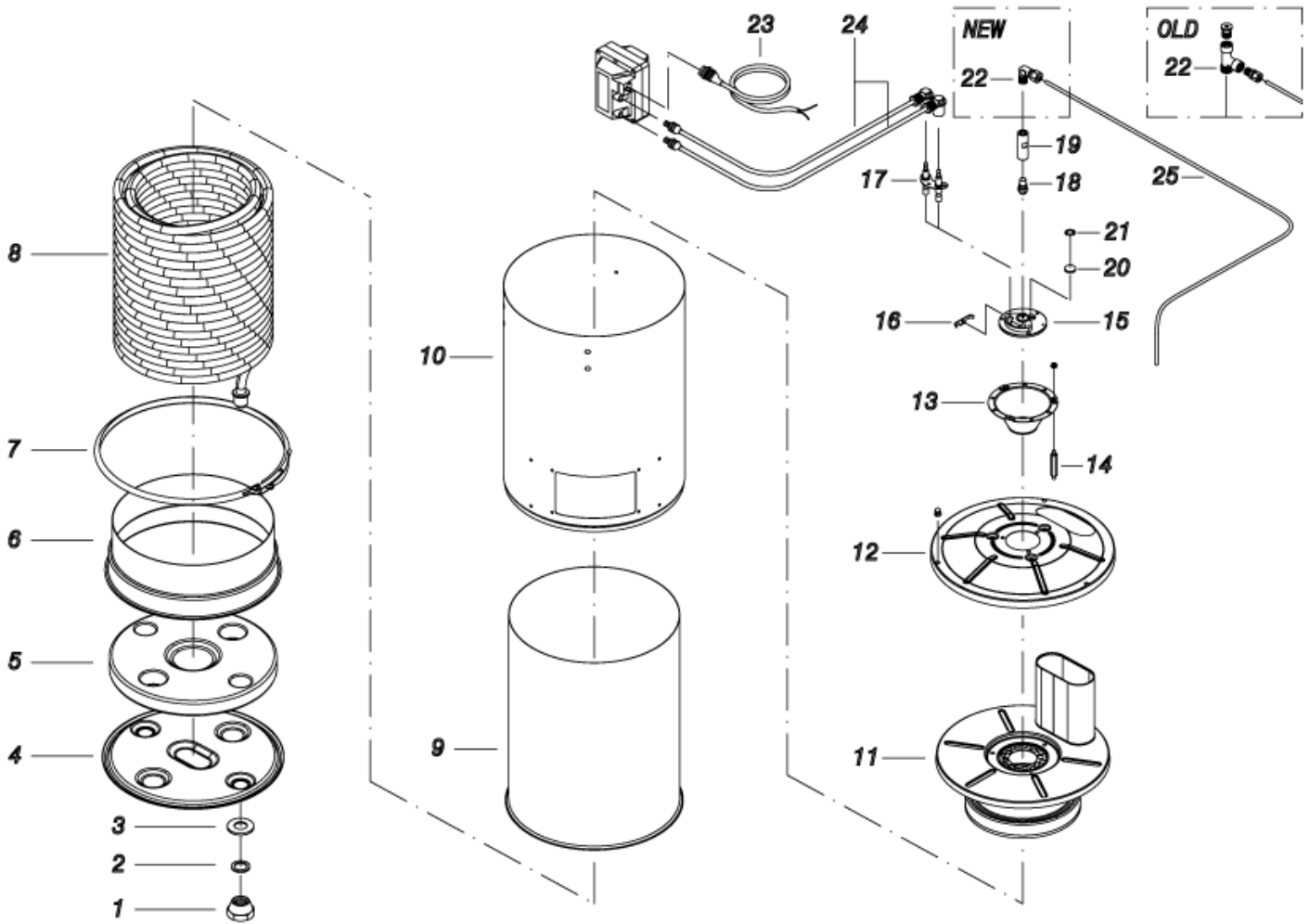
Ref.	K	Part N.	Customer Part N.	Description	Qty	Validity:		Price
						From	To	
0036		ETET40555		LABEL PW-H35 ELETT.	1,00			--
0037		ETET40556		LABEL PW-H35 IDR.	1,00			--
0038		GUGO11489		GASKET D.22X1,5	2,00			--
0039		MPVR20187		RING NUT M 39 X 3	2,00			--
0040		VTVT14480		SCREW TE M 8X80 ZINC. UNI	1,00			--
0041		MLML11917		SPRING D. 14.5 X24 X2.2	1,00			--
0042		MPVR28178		TRIGGER MTH PL.	1,00			--
0043		LAFN40560		BRACKET PW-H35/4W BK.	1,00			--
0044		VTDD00492		NUT M 8 ZINC	1,00			--
0045		LAFN40609		FOOT PW-H35/4W	1,00			--
0049		RTRT40005		WHEEL D.260-D.25 RT-HI	2,00			--
0050		MPVR40537		HUB CAP D. 260 RT/H35 V.368C	2,00			--
0058		LCPR40103		EXTENSION P 70 - TURBO TPR25 040	1,00			--
0059		LCTE40014		HEAD TPR25 1/4F 040 Gr.D.	1,00			--
0060		MPVR28554		CABLE FASTNER ELT	1,00	02/2015		--
0060		VTVT13234		SCREW TCB-TC 3.5X19 NIK	2,00	02/2015		--



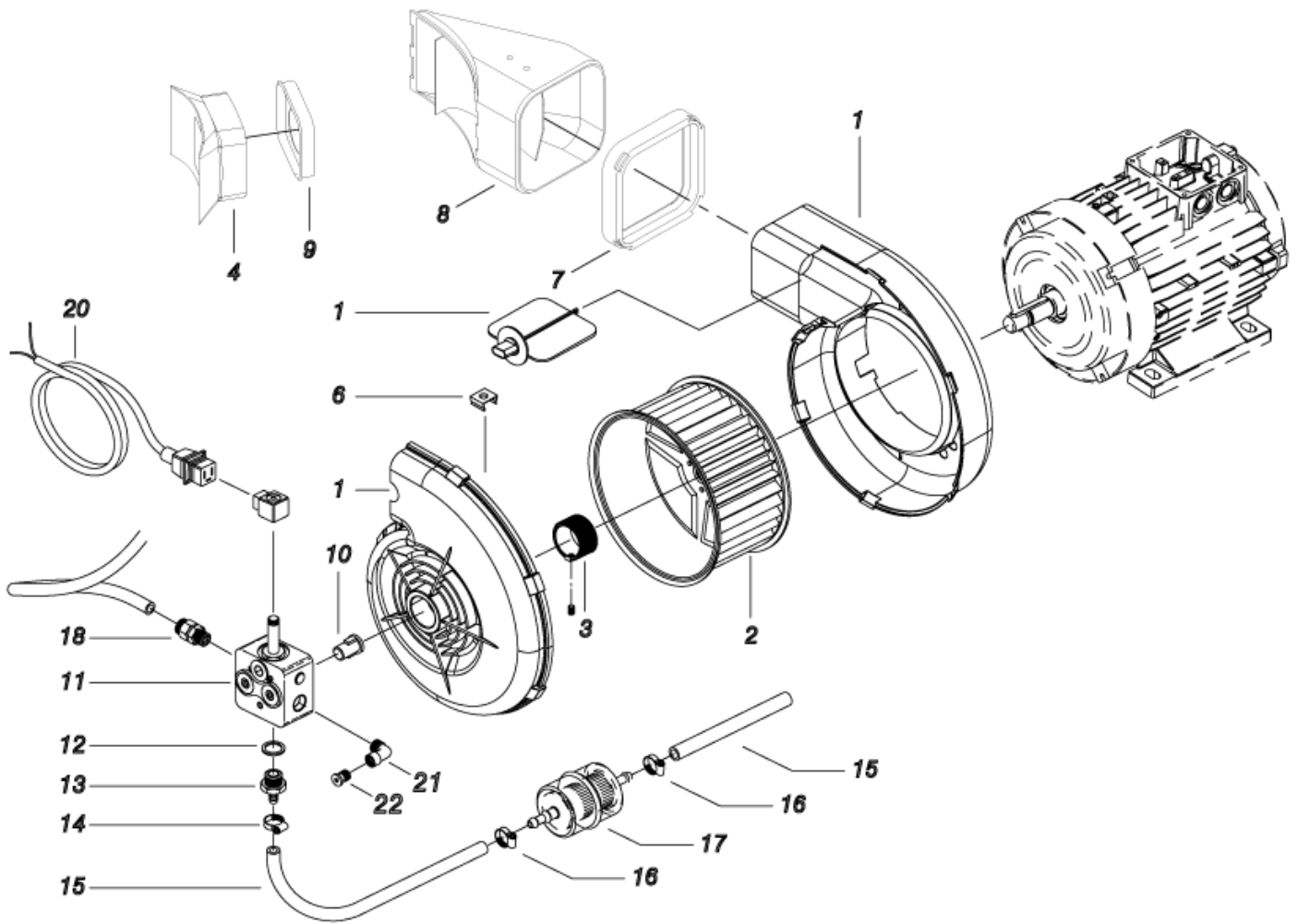
Ref.	K	Part N.	Customer Part N.	Description	Qty	Validity:		Price
						From	To	
0001		MEPD45940		DESCALING PUMP NME 1 24V 50/60HZ	1,00			--
0002		TBBP00058		L.P. HOSE D. 4- 7	0,60			--
0003		FSVR00427		CLAMP D. 12 CLIC 66-110	4,00			--
0004		MLML02623		SPRING IMT	1,00			--
0005		TBBP40064		L.P. HOSE L=1060 3/4F90°-1/2M 0°	1,00			--
0006		RCDS49875		RING NUT 1/2"X 6 CH.27 OT.	1,00			--
0007		VTRS00549		WASHER D.21,5X27X1.5 (1/2) RM	1,00			--
0008	S	RCDS21118		CONNECTOR KSM	1,00			--
0008	S	RCDS21119		NUT KSM	1,00			--
0008	S	RCDS40045		CONNECTOR G 3/8F -1/4 +M14X1 C.27	1,00			--
0008		RCDS40164		CONNECTOR L=285 2X3/8M CN. ZC.	1,00			--
0008	S	RCIN03753		MALE COUPLING M22-3/8 M-FA	1,00			--
0009		TBAP40115		HOSE-FITTING 3/ 8 R1 L=685 3/8F90-PM26	1,00			--
0010		VTRS40960		WASHER D.13.5X19 X4 AL.	1,00			--
0011		VVSC47427		VALVE MG 1000 G1/4M-M D.8 250B	1,00			--
0012		RCDS00593		SUMP IM 0-120 L=50	1,00			--
0013		MOTR40043		3PH MOTOR H35 HP 5.5 400-50 2P ED	1,00			--
0014		PPAP40100		PUMP RCS 11.17 DX ND	1,00			--
0015		VVAZ40061		VALVE AR M.MATIC 4/B-RC+TS SI.3	1,00		03/2014	--
0015		VVAZ40066		VALVE VRZ-RC +TSS L.90 SI	1,00	04/2014		--
0016		RCDS87610		NIPPLE 3/4 - 1/2 CB D.13.0	1,00			--
0017		RCDS40177		CONNECTOR T 3/8M - 1/4 M/F OT. CN.	1,00	09/2013		--
0017		RCDS40589		CONNECTOR T 3/8M - 1/4 M/F OT.	1,00		08/2013	--
0018		RCVR02606		REDUCTION 1/2-1/4 M/F	1,00			--
0019		RCDS46072		VALVE BODY N/R 1/4F-1/4 P176 OT	1,00			--
0020		MLML21505		SPRING D. 8 X5 X0.3	1,00			--
0021		SFVR04274		BALL D. 7/32	1,00			--
0022		GUGO01055		O-RING D. 5.28 X 1.78 VIT 70SH	1,00			--
0023		GUGO01036		O-RING D. 10.82 X 1.78 NBR 70SH	1,00			--
0024		RCDS10546		VALVE SEAT 1/4M + PG. D.3-7.5 OTT	1,00			--
0025		RCGR89343		FLOATER MTM 3/4 PP. S/F. +ADP.245	1,00			--
0026		RCVR49974		RING NUT 3/4" X 4 NIK	1,00	05/2014		--
0027		FSVR00431		CLAMP D. 16-25	1,00			--
0028		TBBP40063		L.P. HOSE L=330 3/4F 90° -LIB.	1,00			--
0029		MPVR40517		WATER TANK P190-35 PEHD BK.	1,00			--
0030		MPVR40516		TANK COVER P190-35 PA6 BL.	1,00			--
0031		MPVR89078		PLATE P190 PA6 BL.	2,00			--
0032		LAFN89079		PANEL P190 INX	1,00			--
0033		MPVR18582		CAP D.22	1,00			--



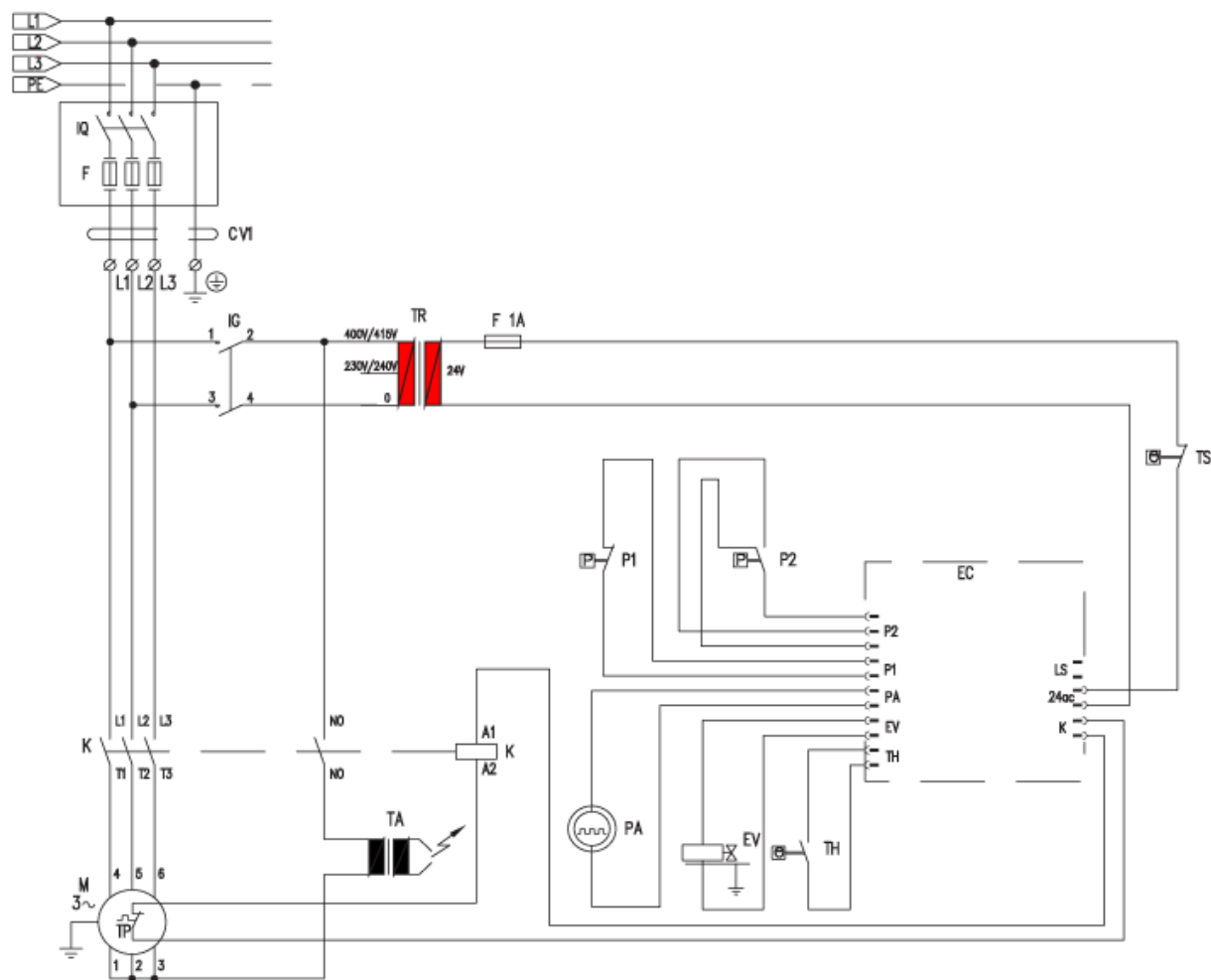
Ref. K	Part N.	Customer Part N.	Description	Qty	Validity:		Price
					From	To	
0034	MPVR20907		TANK CAP KSM	1,00			--
0035	MNMN18650		PRESSURE GAUGE 0-300 D.40	1,00			--
0036	TBAP40113		POLYAMIDE HOSE L=420 1/4F GR.-1/8F MN.	1,00			--
0037	GUGO08071		O-RING D. 4.48 X 1.78 NBR 70SH	1,00			--
0038	GUGO12183		O-RING D. 23.4 X 3.53 VIT 70SH	1,00			--
0039	RCGR08069		TAP BODY DET. PRT	1,00			--
0040	RCGR08070		ADJUSTER PRT	1,00			--
0041	TBBP00051		DETERGENT HOSE D. 6-12	1,20			--
0042	TBBP00051		DETERGENT HOSE D. 6-12	0,60			--
0043	MLML08068		SPRING D.1,5 L.23	1,00			--
0044	VTRS00542		WASHER D.14X20	1,00			--
0045	FTAC30214		FILTER D.15X67	1,00			--
0046	GUGO37736		GASKET D. 10- 19 X 5 70SH	1,00			--
0047	RCVR29600		SOCKET PTC 3/4 F	1,00			--
0048	RCVR29602		CONNECTOR D. 1/2"-5/8" PTC	1,00			--
0049	RCVR37806		REDUCTION PTC 3/4-1/2 M/F	1,00			--
0050	RCVR40113		HOSE FITTING 1/8 M D. 5- 7 NIK	2,00			--
0051	MPVR20187		RING NUT M 39 X 3	1,00			--



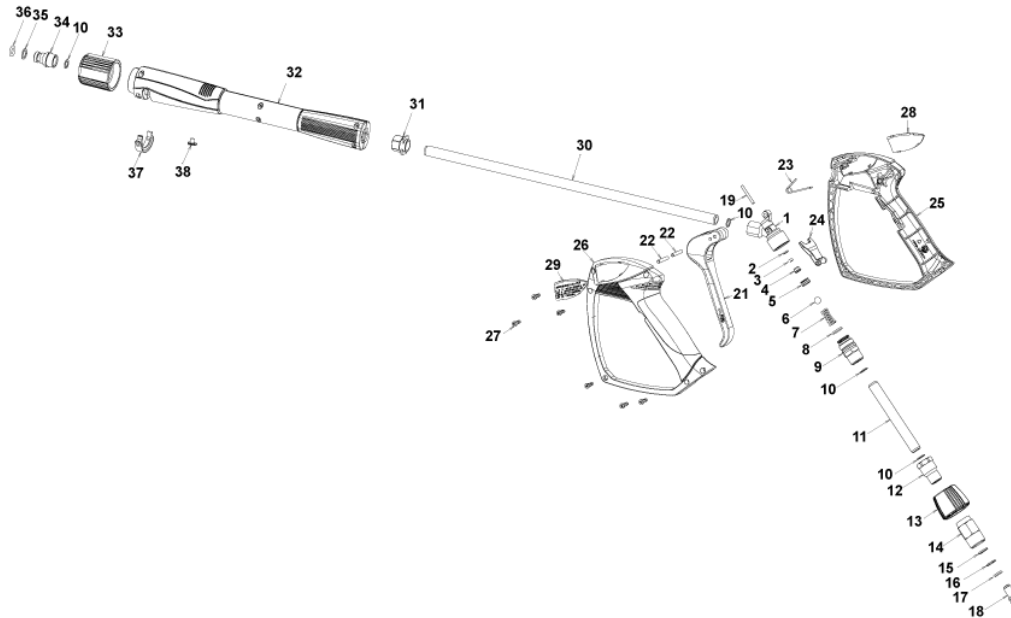
Ref.	K	Part N.	Customer Part N.	Description	Qty	Validity:		Price
						From	To	
0001		RCDS21120		RING NUT M 26 X 1,5	2,00			--
0002		GUGO21222		O-RING D. 15.54 X 2.62 VIT 80SH	2,00			--
0003		GUVR21021		ANTI-EXTR.RING D. 21 X17 TEF.	2,00			--
0004		LAFN44149		BOILER BOTTOM P176	1,00			--
0005		ITTE44175		BOTTOM P176 C.TE	1,00			--
0006		LAFN44151		BAND P176 INX	1,00			--
0007		LAFN40037		RING D.342 P176 ZN 2V.CPL.	1,00			--
0008		LAGR44156		DOUBLE COIL M26X1.5 P176 24MT GRZ	1,00			--
0009		LASL40101		INT. CYLINDER PM INX	1,00			--
0010		LAFN40581		EXT. CYLINDER PM-H35 INX	1,00			--
0011		LAFN40269		BOILER COVER SIPM INX	1,00			--
0012		LAFN40270		BOILER COVER SEPM INX	1,00			--
0013		LAFN44244		BAFFLE P176 30M INX	1,00			--
0014		LAFN40271		PIN CH.10 X 67.7 M5M/M5M PM	3,00			--
0015		MFVR18226		ELECTR.HOLDER FUT 3°V	1,00			--
0016		LAFN07641		PLATE INX	1,00			--
0017		MECA12525		ELECTRODE FUT	1,00			--
0018		UGBR22575		BURNER NOZZLE DANF. 1.00 60 S	1,00			--
0019		RCDS07642		NOZZLE HOLDER FUT	1,00			--
0020		MPVR18228		OIL WARN-LIGHT D.17 X3	1,00			--
0021		VTAE22633		SEEGER 0.4 X18,30X10,5	1,00			--
0022		RCVR08954		ELBOW 1/8"-4 B5	1,00	03/2015		--
0022		RCVR40126		BI-CONE CONNec.T 1/8" M/F D. 4/ 6C NK.	1,00	11/2013	02/2015	--
0022		RCVR89230		CAP G 1/8 M C/O-RING.	1,00		02/2015	--
0023		MECB46130		CABLE DLT L=1100	1,00			--
0024		MECV35335		CABLE A.T. 9,8-23KOHM/M L= 500P	2,00	11/2013		--
0025		TBCO40041		DIESEL HOSE P176 30MT D. 4 IX	1,00	07/2014	02/2015	--
0025		TBCO40058		DIESEL HOSE PW-H35/6-4P D. 4 IX	1,00	02/2015	03/2015	--
0025		TBCO40062		DIESEL HOSE PW-H35/5.5-PM D. 4 IX	1,00	04/2015		--
0025		TBCO46140		DIESEL HOSE P176 30MT D. 4	1,00		07/2014	--



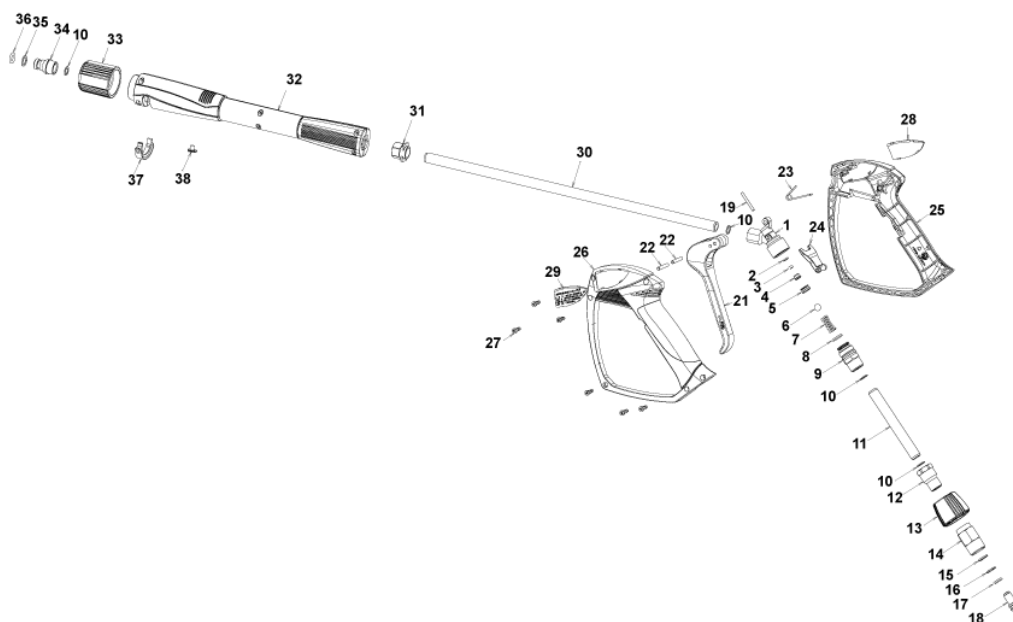
Ref.	K	Part N.	Customer Part N.	Description	Qty	Validity:		Price
						From	To	
0001		MPVR26987		SCROLL KSM CPL.	1,00			--
0002		VEVR20128		IMPELLER KSM D.140 29P. PA66	1,00			--
0003		RCDS20417		BUSHING KSM	1,00			--
0003		LAFN21890		BUSHING D. 25	1,00			--
0004		MPVR88426		CONVEYOR P190 PA6 BK.	1,00			--
0006		VTVR20127		CLIP KSM	6,00			--
0006		VTVR20127		CLIP KSM	1,00			--
0007		GUGO20124		GASKET KSM	1,00			--
0008		MPVR40199		CONVEYOR KSM-P176 PA6	1,00			--
0009		GUGO88425		GASKET P245 EPDM	1,00			--
0010		FGGT49223		JOINT KSM/P190 2V. PP	1,00			--
0011		PPGS40011		FUEL PUMP DNF BFA 01R3L1	1,00			--
0012		VTRS04931		WASHER COPPER D.13X19X1.5	1,00			--
0013		RCDS00626		HOSE FITTING 1/4 M D. 5- 7	1,00			--
0014		FSVR11197		CLAMP D.I. 11 13315	2,00			--
0015		TBCO06945		L.P. HOSE D. 6-12 10BAR C.PRESS	0,32			--
0015		TBCO06945		L.P. HOSE D. 6-12 10BAR C.PRESS	0,17			--
0016		FSVR00427		CLAMP D. 12 CLIC 66-110	2,00			--
0017		FTCO10912		FILTER FB 13/TA NYL.	1,00			--
0018		RCVR14014		BI-CONE CONNEC.DTT 1/8"M B1 D. 2/ 4 NIK	1,00			--
0020		MECB34463		CABLE BT L=800 SP.	1,00			--



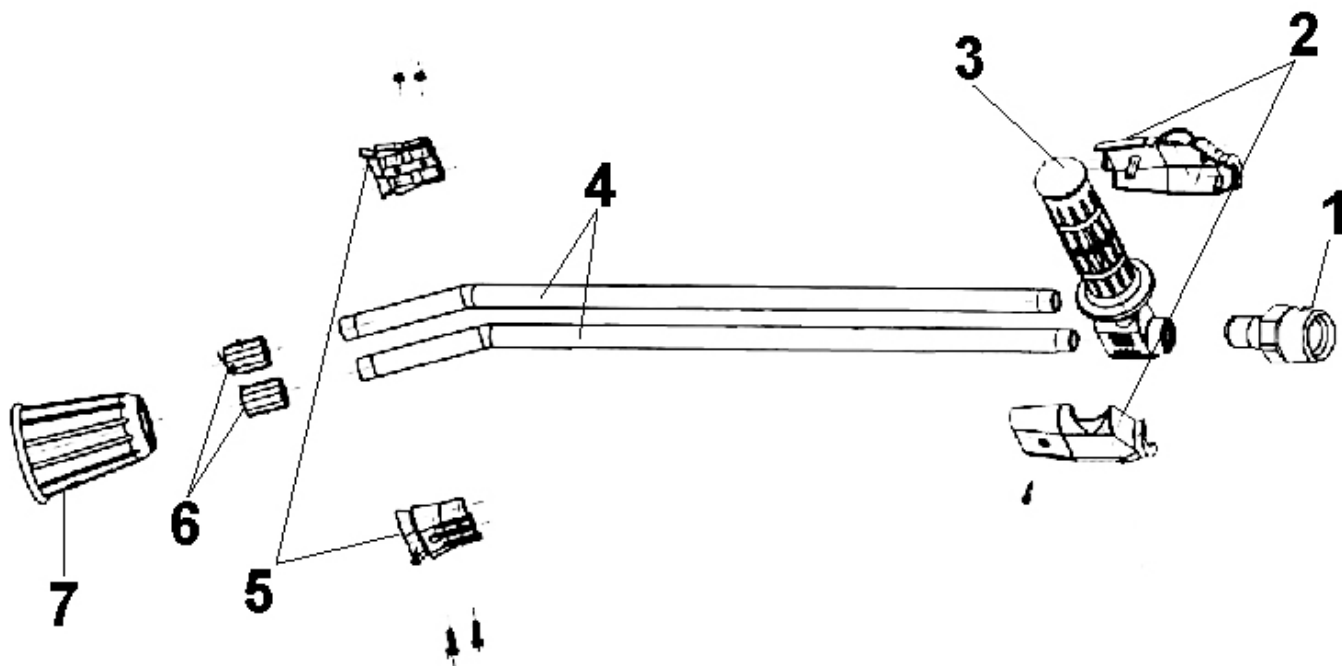
Ref.	K	Part N.	Customer Part N.	Description	Qty	Validity:		Price
						From	To	
K		METT40008		CONTACTOR SIE 3RT 2016-1AB01 24V	1,00	10/2014		--
K		METT43990		CONTACTOR SIE 3RT 1017 1AB01 5/60HZ	1,00		09/2014	--
P		MEPF76254		PRESSURE SWITCHPR 5 1/4M 25BAR	1,00			--
EC		MECE40022		PCB PW-H35 TSI+CO+VRT 3.0	1,00			--
EV		MEBE43704		COIL DNF 24-50	1,00			--
IG		MECI40020		SWITCH BRM BP. 0-1 12A	1,00			--
TA		METR88630		TRANSFORMER 23/240V-5/60HZ 2X26KV TR.	1,00			--
TH		METK40011		THERMOSTAT 0-150° L=1500 F&C	1,00			--
TR		METR40012		TRANSFORMER 25VA 230-400/24 5/60HZ FS	1,00			--
TS		METK40007		THERMOSTAT 65°C NSP-040 PT RIPR.	1,00			--
CV1		MECB40002		CABLE H07 RNF 4X1.5 L=6.500	1,00			--



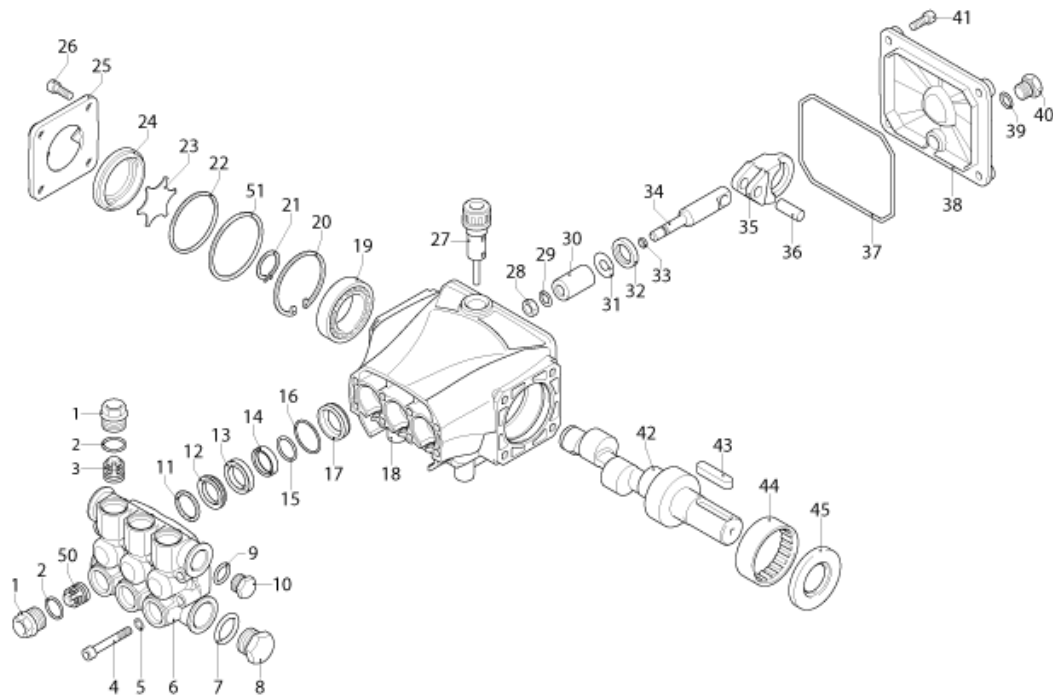
Ref.	K	Part N.	Customer Part N.	Description	Qty	Validity:		Price
						From	To	
0001		PVVR40381		GUN BODY G 5100 G1/4F	1,00			--
0002	S	GUVR40074		ANTI-EXTR.RING D. 3 X 7.4X1.3	1,00			--
0003	S	GUGO21835		O-RING D. 2.84 X 2.62 VIT. 80SH	1,00			--
0004		PVVR40382		PISTON GUIDE G 5100	1,00			--
0005	S	PVVR40112		BALL SEAT G 5000	1,00			--
0006	S	SFVR27026		BALL D.11/32" INX	1,00			--
0007		MLML40016		SPRING D. 9.4 x21.5x1.6 G5000	1,00			--
0008		GUGO12322		O-RING D. 14 X 1.78 NBR 90SH	1,00			--
0009		PVVR40383		CONNECTOR COLL.G5100 1/4F	1,00			--
0010		VTRS40017		WASHER D. 8,2X11,4X1,00 AL	4,00			--
0011		PVVR40384		TUBE G 1/4" L.105	1,00			--
0012		RCIN40022		CONNECTOR SWIV G5100 1/4F	1,00			--
0013		MPVR40486		RING NUT G 5100 SW. GR.	1,00			--
0014		RCIN40021		JOINT SWIV 5100 M22	1,00			--
0015	S	GUVR40075		ANTI-EXTR.RING D. 10 X14X1.5	1,00			--
0016	S	GUVR40076		ANTI-EXTR.RING D. 11.2X14X1.2	1,00			--
0017	S	GUGO15295		O-RING D. 10.82 X 1.78 VIT 80SH	1,00			--
0018		PVVR40386		SCREW SW. G 5100	1,00			--
0019		PVVR40387		SMALL PISTON G 5100	1,00			--
0021		MPVR40487		TRIGGER G 5100-SW	1,00			--
0022		VTVR40047		PLUG D. 4X29	2,00			--
0023		MLML40029		SPRING G 5100	1,00			--
0024		MPVR40488		SAFETY-DEVICE G 5100-SW	1,00			--
0025		MPVR40489		SHELL G 5100-SW DX	1,00			--
0026		MPVR40490		SHELL G 5100-SW SX	1,00			--
0027		VTVT40043		SCREW AF 4X 14 HILO ZN.N	6,00			--
0028		MPVR40491		PLATE G 5100 GR.DX	1,00			--
0029		MPVR40492		PLATE G 5100 GR.SX	1,00			--
0030		LCPR40086		TUBE 1/4 L=420 ZC. 0°	1,00			--
0031		MPVR40493		CONNECTOR G 5100-SW	1,00			--
0032		MPVR40494		PROTECTION P 420 C/AN.	1,00			--
0033		PVVR40119		CONNECTION M22X1,5 IRV G5000	1,00			--
0034		RCIN40009		GUDGEON G 1/4 F IRV G5000	1,00			--
0035		GUVR40034		ANTI-EXTR.RING D. 10 X14	1,00			--
0036		GUGO01946		O-RING D. 9.13 X 2.62 VIT 70SH	1,00			--
0037		MPVR40495		CAP G 5100 REM.	1,00			--
0038		MPVR40198		CAP G 5000	1,00			--



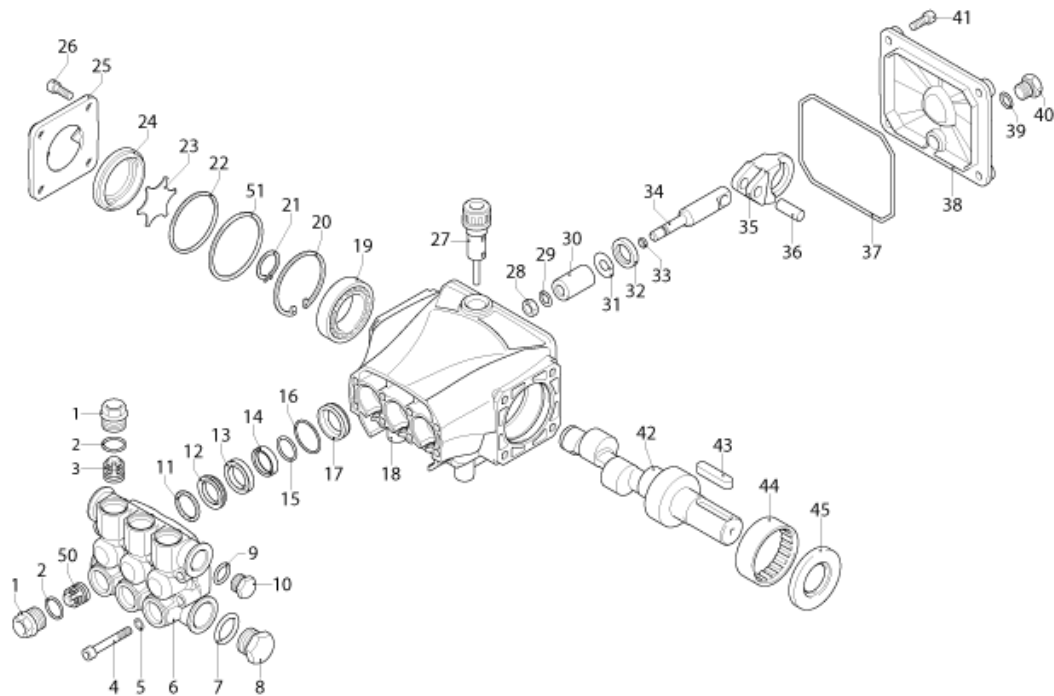
Ref. Part N.	Cust. Part N.	Description	Reference	Price
KTRI40242		KIT P 26- 25 G 5100	0002 0003 0005 0006	--
KTRI40243		KIT P 26- 25 SWIVEL G 5100	0015 0016 0017	--



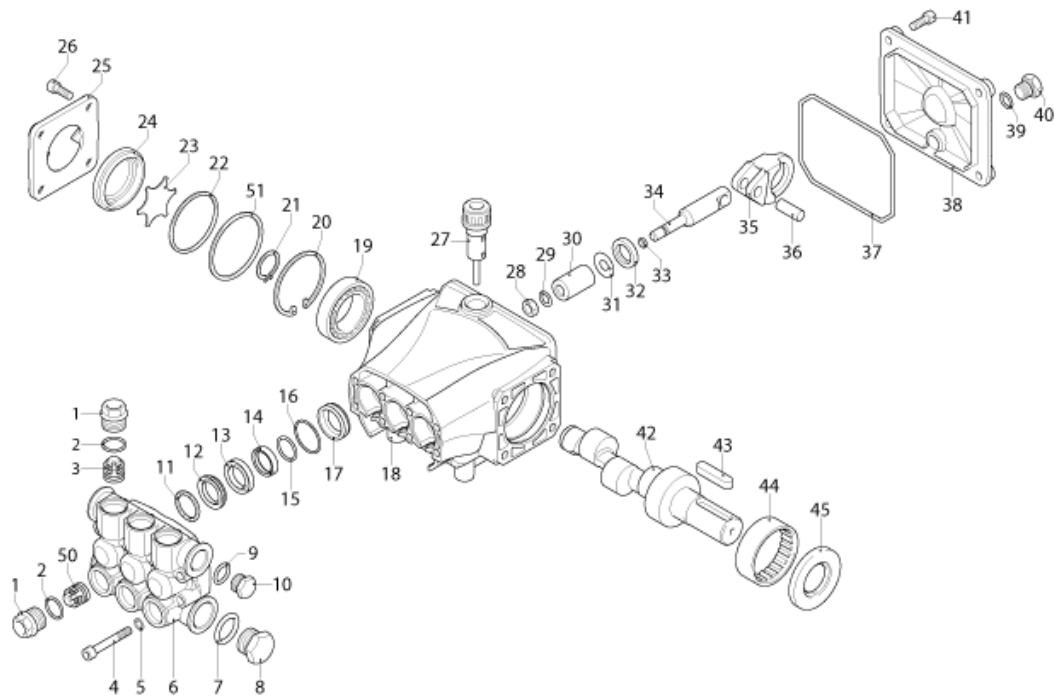
Ref. K	Part N.	Customer Part N.	Description	Qty	Validity:		Price
					From	To	
0001	PVVR45296		COUPLING G 1/4M -M22 M +PR.PLS	1,00			--
0002	MPVR45214		PROTECTION TB.1/4 MTM	1,00			--
0003	RCGR45737		TAP 1/8 F LD MTM	1,00			--
0004	LCPR45740		TUBE 1/8 L=660 INOX MTM	2,00			--
0005	MPVR45001		SHELL LD MTM	1,00			--
0006	RCVR45741		NOZZLE HOLDER 1/4-1/8 F MTM	2,00			--
0007	PVVR43810		PROTECTION L.D. MTM	1,00			--



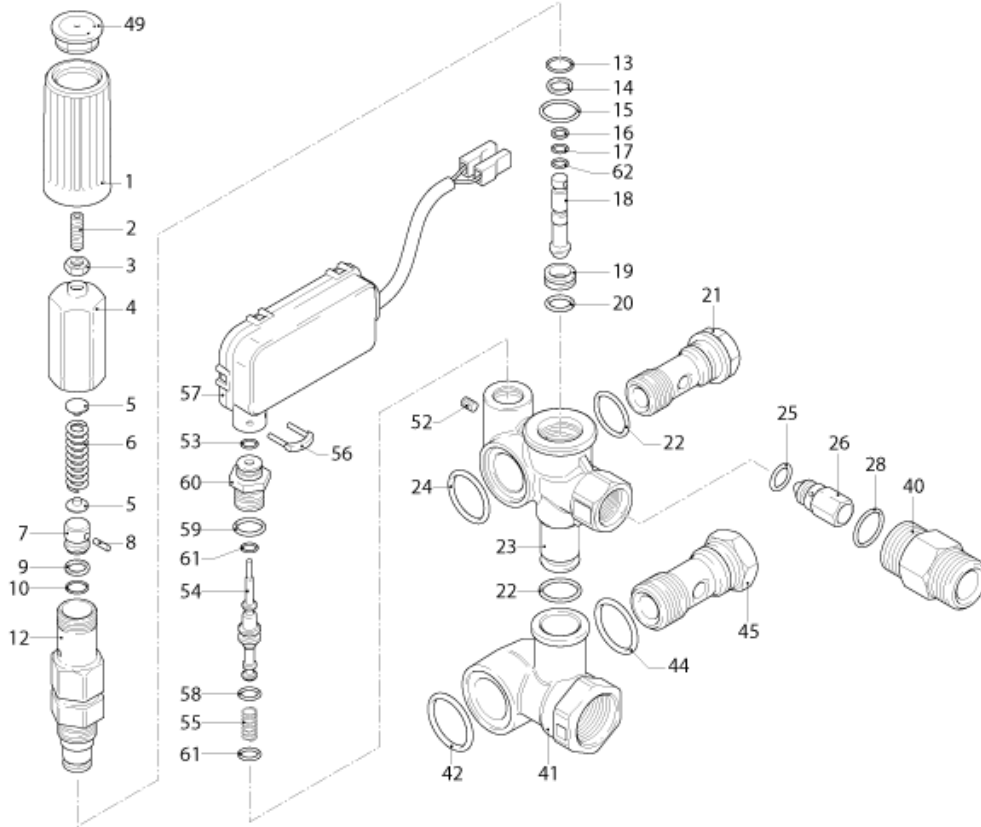
Ref.	K	Part N.	Customer Part N.	Description	Qty	Validity:		Price
						From	To	
0001		PVVR40120		CAP AR RC	6,00			--
0002		GUGO03505		O-RING D. 15.6 X 1.78 NBR 70SH	6,00			--
0003	S	VVAM40002		VALVE UNIT RC	3,00			--
0004		VTVT06236		SCREW TCEI 6X40 UNI5931	8,00			--
0005		VTRS00503		WASHER D. 6 TE UNI 6798	8,00			--
0006		MFVR40026		HEAD AR RCS OT.	1,00			--
0007		GUGO19245		O-RING D. 17.5 X 2 NBR 70SH	1,00			--
0008		PVVR40121		CAP 1/2 M RC	1,00			--
0009		GUGO09720		O-RING D. 14 X 1.78 NBR 70SH	1,00			--
0010		PVVR40099		CAP 3/8 M HRM	1,00			--
0011	S	PVVR40158		HEAD RING D. 15 RCS	3,00			--
0012	S	GUVR40028		PACKING D. 15 XJS	3,00			--
0013		PVVR40159		INTERMED. RING D. 15 RCS	3,00			--
0014	S	GUVR40041		PACKING D. 15 RCS L.P.	3,00			--
0015	S	GUVR40042		ANTI-EXTR.RING D.15	3,00			--
0016	S	GUGO08182		O-RING D. 21.91 X 1.78 NBR 70SH	3,00			--
0017		PVVR40160		PACKING RETAIN.D. 15 RCS	3,00			--
0018		MFVR40027		PUMP CRANKCASE AR RCS	1,00			--
0019		CUVR28336		BALL BEARING 6304	1,00			--
0020		VTAE09661		CIRCLIP D. 52 UNI 7437	1,00			--
0021		VTAE06193		CIRCLIP D. 20 UNI 7435	1,00			--
0022		GUGO02561		O-RING D. 47.3 X 2.62 NBR 70SH	1,00			--
0023		PVVR40125		DISC RC	1,00			--
0024		PVVR40126		OIL INDICATOR RC	1,00			--
0025		MFVR40021		CRANKCASE COVER AR RC LT.	1,00			--
0026		VTVT01531		SCREW TE 6X 16 UNI 5739	4,00			--
0027		PVVR19231		OIL CAP XTS	1,00		03/2014	--
0027		PVVR40436		OIL CAP RC	1,00	04/2014		--
0028		VTDD00483		NUT M 8 ZIN UNI 5588	3,00			--
0029		VTRS19394		WASHER D. 8X13X0.5	3,00			--
0030	S	PIVR19232		PISTON D. 15 XTS	3,00			--
0031		PVVR19233		DISC XTS	3,00			--
0032	S	GUGO09690		OIL SEAL 15X 24X 5 NBR70	3,00			--
0033		GUGO08071		O-RING D. 4.48 X 1.78 NBR 70SH	3,00			--
0034		PVVR40127		PISTON GUIDE RC	3,00			--
0035		BLVR40001		CONNECTING ROD RC	3,00			--
0036		PVVR40128		GUDGEON D. 9X23 RC	3,00			--
0037		GUGO18695		O-RING D. 101.27 X 2.62 NBR 70SH	1,00			--
0038		MFVR40022		CRANKCASE COVER AR RC	1,00			--



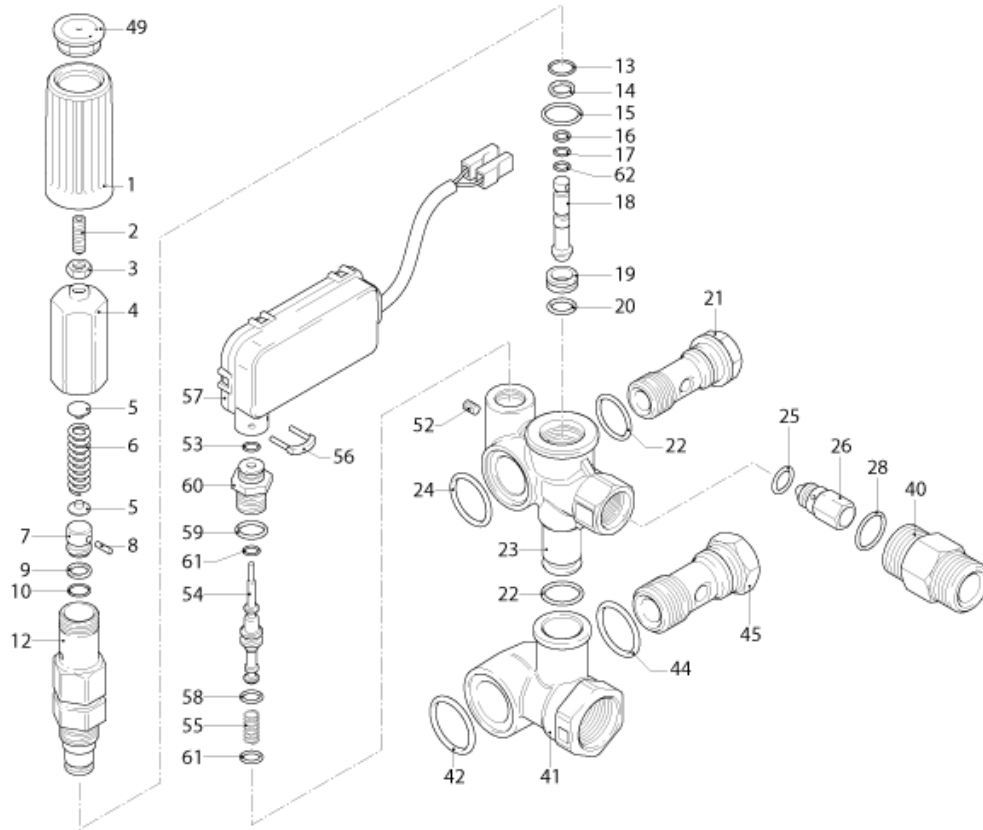
Ref.	K	Part N.	Customer Part N.	Description	Qty	Validity:		Price
						From	To	
0039		GUGO01036		O-RING D. 10.82 X 1.78 NBR 70SH	1,00			--
0040		PVVR40129		CAP 1/4 M RC	1,00			--
0041		VTVT09913		SCREW TCEI 6X16 UNI5931	4,00			--
0042		ALMO40036		SHAFT AR RCS 11LT VRS. ND	1,00			--
0043		VTVR41531		KEY 8X 7X35 UNI 6604A	1,00			--
0044		CUVR23636		ROLLER BEARING HK 4516	1,00			--
0045	S	GUGO00999		OIL SEAL 25X 52X 7 NBR70	1,00			--
0050	S	VVAM40007		VALVE UNIT RC ASP. BK	3,00			--
0051		PVVR40437		RING D. 51.8 X0.5	1,00	04/2014		--



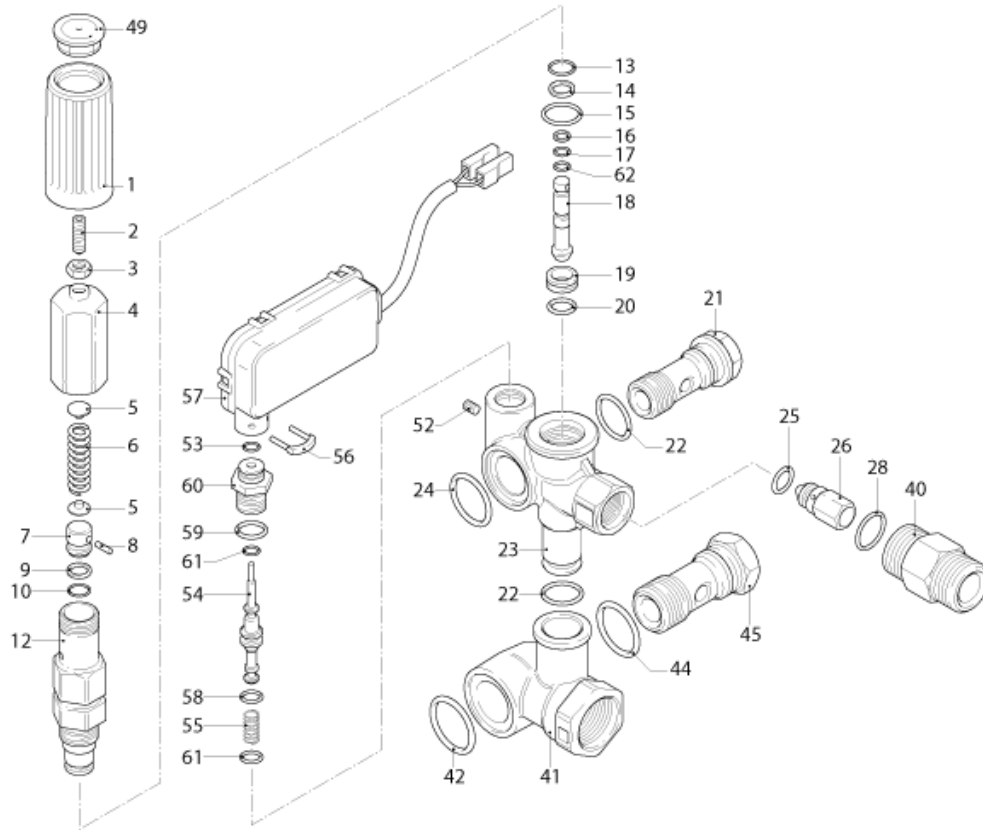
Ref. Part N.	Cust. Part N.	Description	Reference	Price
KTRI40096		KIT P 15-42918 RC	0032 0045	--
KTRI40139		KIT P 15-42920 D.15 RCS	0030	--
KTRI40140		KIT P 15-42921 D.15 RCS	0012 0014 0015 0016	--
KTRI40141		KIT P 15-2191 D.15 RCS	0011	--
KTRI40207		KIT P 15-42914 RC 3+3 BL./WH.	0003 0050	--



Ref.	K	Part N.	Customer Part N.	Description	Qty	Validity:		Price
						From	To	
0001		MPVR40162		KNOB AR XJS	1,00			--
0002		VTVT19524		SCREW EI-ST 6X16 UNI 5923	1,00			--
0003		VTDD00482		NUT M 6 ZIN UNI 5588	1,00			--
0004		PVVR40066		REGISTER AR XJS	1,00			--
0005		PVVR40067		SPRING PLATE AR XJS	2,00			--
0006		MLML40007		SPRING D. 10.8X48.9 D.2.8 XJS	1,00			--
0007	S	PVVR40068		SMALL PISTON AR XJS SP.	1,00			--
0008	S	VTVR19193		PLUG D. 2.5X10	1,00			--
0009	S	GUVR40026		ANTI-EXTR.RING D. 8	1,00			--
0010	S	GUGO40179		O-RING D. 8 X 2 NBR 70SH	1,00			--
0012	S	PVVR40385		PISTON GUIDE AR XJS 2V.	1,00			--
0013	S	GUGO09720		O-RING D. 14 X 1.78 NBR 70SH	1,00			--
0014	S	GUGO12490		O-RING D. 8.74 X 1.78 NBR 70SH	1,00			--
0015	S	GUGO02259		O-RING D. 15.54 X 2.62 NBR 70SH	1,00			--
0016	S	GUVR40027		ANTI-EXTR.RING D. 3.7	1,00			--
0017	S	GUGO19189		O-RING D. 2.90 X 1.78 NBR 70SH	4,00			--
0018	S	PVVR40070		CONTROL PISTON AR XJS IF.	1,00			--
0019	S	PVVR40071		VALVE SEAT AR XJS	1,00			--
0020	S	GUGO41692		O-RING D. 9 X 1 NBR 70SH	1,00			--
0021		RCDS40068		SCREW G 3/8 M.MATIC 4/B OT.	1,00			--
0022		GUGO01047		O-RING D. 11.91 X 2.62 NBR 70SH	2,00			--
0023		PVVR40134		VALVE BODY M.MATIC 4/B TSS	1,00			--
0024		GUGO19395		O-RING D. 20.24 X 2.62 NBR 70SH	1,00			--
0025	S	GUGO12494		O-RING D. 4 X 2.5 -NBR 70SH	1,00			--
0026	S	PVVR40074		COUPLING N.RIT. XJS	1,00			--
0028	S	GUGO11652		O-RING D. 12.42 X 1.78 NBR 70SH	1,00			--
0040		RCDS40069		NIPPLE G 3/8 M.MATIC 4/B	1,00			--
0041		PVVR40131		CONNECTOR M.MATIC 4/B	1,00			--
0042		GUGO76542		O-RING D. 23.47 X 2.62 NBR 70SH	1,00			--
0044		GUGO01058		O-RING D. 17.17 X 1.78 NBR 70SH	1,00			--
0045		RCDS40070		SCREW G 1/2 M.MATIC 4/B	1,00			--
0049		MPVR40163		CAP AR XJS	1,00			--
0052		VTVT40019		SCREW M 3X 5 EI-ST UNI 5923	1,00			--
0053		GUGO19207		O-RING D. 1.78 X 1.78 NBR 70SH	1,00			--
0054		PVVR40136		CONTROL PISTON AR TSS M.MTC	1,00			--
0055		MLML40017		SPRING D. 8.7 X15.9 D.1.2	1,00			--
0056		LAFN40212		PLUG "U" AR TSS	1,00			--
0057		MEPF40013		PRESSURE SWITCHAR TSS 220V N.A. L.900	1,00			--
0058		GUGO12489		O-RING D. 6.07 X 1.78 NBR 70SH	1,00			--



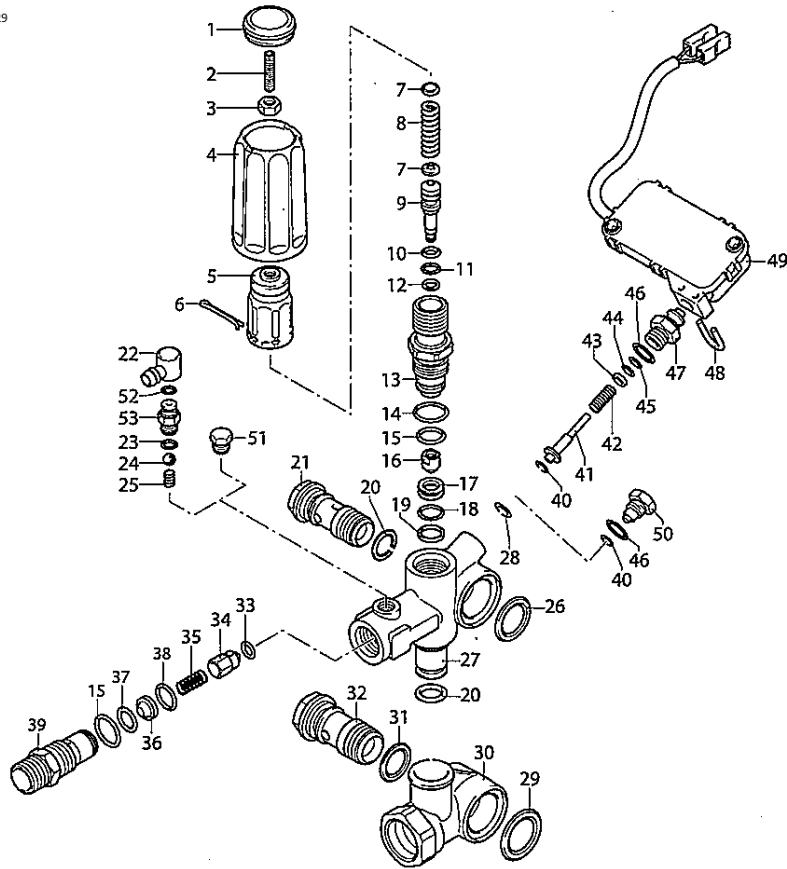
Ref.	K	Part N.	Customer Part N.	Description	Qty	Validity:		Price
						From	To	
0059		GUGO03496		O-RING D. 9.25 X 1.78 NBR 70SH	1,00			--
0060		PVVR40137		PISTON GUIDE AR TSS M.MATIC	1,00			--
0061		GUGO19189		O-RING D. 2.90 X 1.78 NBR 70SH	2,00			--
0062	S	GUGO40031		O-RING D. 3.39 X 1.78 NBR 70SH	1,00			--



Ref. Part N.	Cust. Part N.	Description	Reference	Price
KTRI40127		KIT P 14-100 M.MATIC 4/B	0007 0008 0009 0010 0012 0013 0014 0015 0016 0017 0018 0019 0020 0062	--
KTRI40128		KIT P 14-101 M.MATIC 4/B CK.V.	0025 0026 0028	--

VRZ TSS + ID

KIT F = pos. 10 11 14 15 18 19 20 23 28 29
31 33 37 38 40 44 45 46

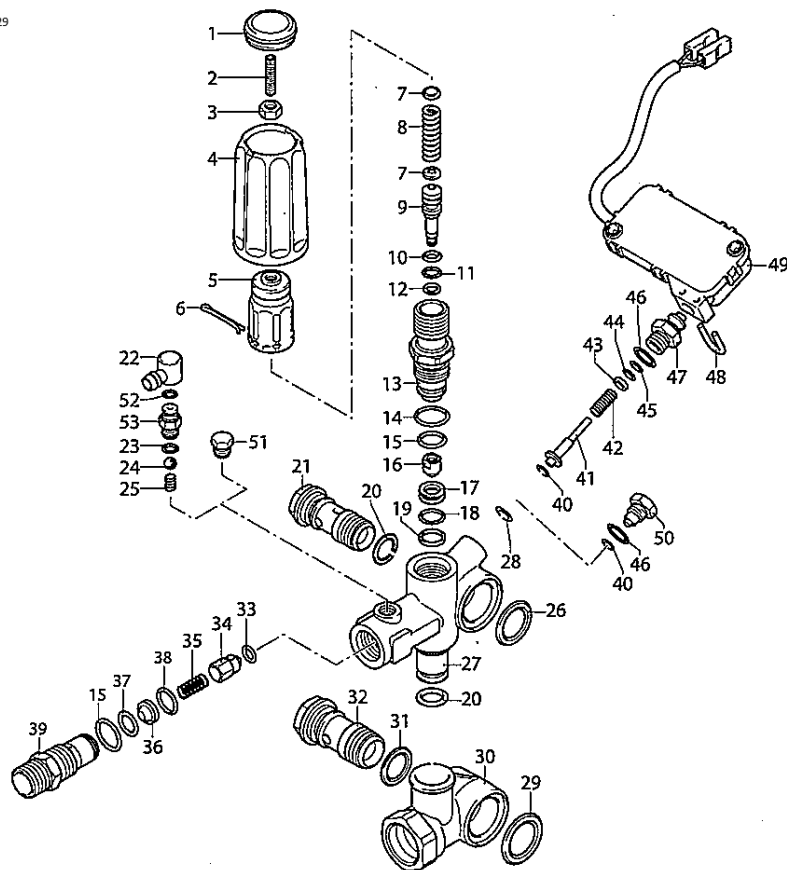


UN_00_4104-FR

Ref.	K	Part N.	Customer Part N.	Description	Qty	Validity: From To	Price
0001		PVVR40241		CAP VRC-BM	1,00		--
0002		VTVT40051		SCREW STEI M 6X25	1,00		--
0003		PVVR40292		NUT AR	1,00		--
0004		PVVR40418		KNOB VRZ	1,00		--
0005		PVVR40236		KNOB M.MT/4B	1,00		--
0006		VTVR40025		SPLIT PIN D. 2,6X15	1,00		--
0007		PVVR40067		SPRING PLATE AR XJS	2,00		--
0008		PVVR40419		SPRING VALVOLA VRZ	1,00		--
0009		PVVR40420		PISTON VRC-BM	1,00		--
0010	S	GUGO40046		O-RING D. 6.02 X 2.62 NBR 90SH	1,00		--
0011	S	GUGO12489		O-RING D. 6.07 X 1.78 NBR 70SH	1,00		--
0012		GUVR40072		ANTI-EXTR.RING D. 6.5X 9.4	1,00		--
0013		PVVR40421		PISTON GUIDE VRZ	1,00		--
0014	S	GUGO03505		O-RING D. 15.6 X 1.78 NBR 70SH	1,00		--
0015	S	GUGO11652		O-RING D. 12.42 X 1.78 NBR 70SH	2,00		--
0016		PVVR40423		COUPLING AR VRZ	1,00		--
0017		PVVR40424		VALVE SEAT AR VRZ	1,00		--
0018	S	GUGO19194		O-RING D. 11.11 X 1.78 NBR 70SH	1,00		--
0019	S	GUVR40085		ANTI-EXTR.RING D. 14 X11,8X1	1,00		--
0020	S	GUGO01047		O-RING D. 11.91 X 2.62 NBR 70SH	2,00		--
0021		RCDS40068		SCREW G 3/8 M.MATIC 4/B OT.	1,00		--
0026		GUGO40057		O-RING D. 20.29 X 2.62-NBR 70SH	1,00		--
0027		PVVR40427		VALVE BODY VRZ	1,00		--
0028	S	GUGO40031		O-RING D. 3.39 X 1.78 NBR 70SH	1,00		--
0029	S	GUGO76542		O-RING D. 23.47 X 2.62 NBR 70SH	1,00		--
0030		PVVR40428		BODY VALVOLA VRZ	1,00		--
0031	S	GUGO01058		O-RING D. 17.17 X 1.78 NBR 70SH	1,00		--
0032		RCDS40070		SCREW G 1/2 M.MATIC 4/B	1,00		--
0033	S	GUGO12494		O-RING D. 4 X 2.5 -NBR 70SH	1,00		--
0034		PVVR40422		COUPLING AR VRZ	1,00		--
0035		PVVR40252		SPRING VRC-BM	1,00		--
0039		RCDS40192		NIPPLE G 3/8 VRZ	1,00		--
0040	S	GUVR40084		ANTI-EXTR.RING PARBAK 8-007	1,00		01/2016
0040	S	GUVR40094		ANTI-EXTR.RING D. 4.2X 7 X1 PTFE+BZ	1,00	02/2016	--
0041		PVVR40425		CONTOL ROD AR TSS VRZ	1,00		01/2016
0041	S	PVVR40470		CONTOL ROD AR TSS VRZ.Evo	1,00	02/2016	--
0042		PVVR40429		SPRING VALVOLA VRZ	1,00		--
0043		PVVR40430		WASHER VALVOLA VRZ	1,00		--
0044	S	GUGO19207		O-RING D. 1.78 X 1.78 NBR 70SH	1,00		--

VRZ TSS + ID

KIT F = pos. 10 11 14 15 18 19 20 23 28 29
31 33 37 38 40 44 45 46

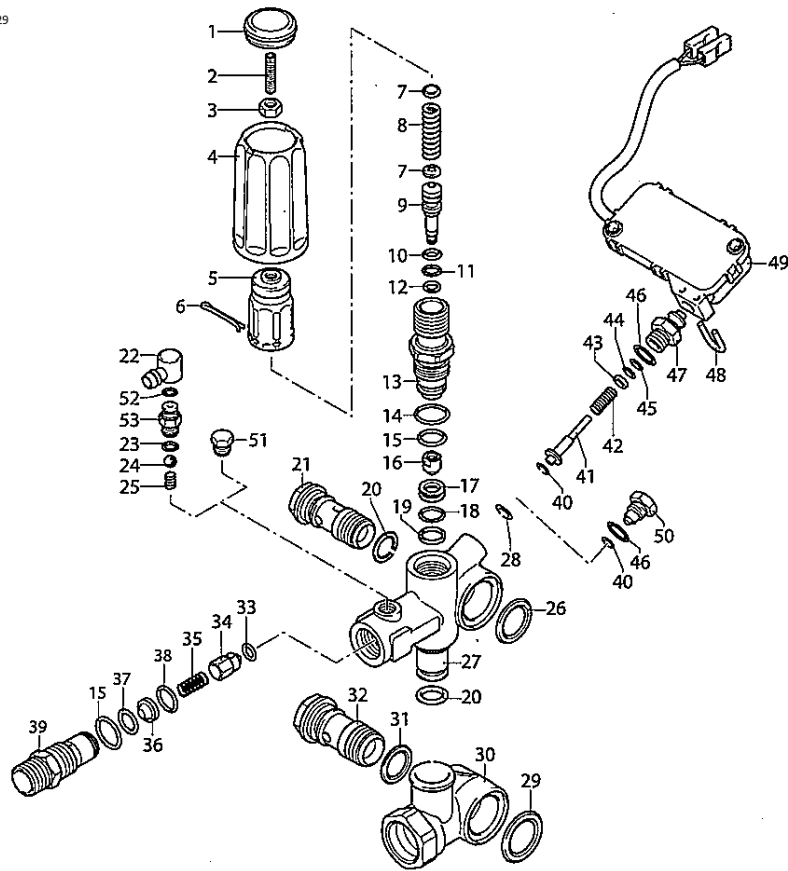


UN_00_4104-FR

Ref.	K	Part N.	Customer Part N.	Description	Qty	Validity:		Price
						From	To	
0045	S	GUVR40086		ANTI-EXTR.RING D. 4.9X 2 X1,3	1,00			--
0046	S	GUGO06988		O-RING D. 7.66 X 1.78 NBR 70SH	1,00			--
0047		PVVR40431		CONNECTOR VALVOLA VRZ	1,00			--
0048		LAFN40212		PLUG "U" AR TSS	1,00			--
0049		PVVR40433		PRESSURE SWITCHTTS VRZ marc. AB	1,00			--
0051		RCDS19214		CAP 1/8 M	1,00			--

VRZ TSS + ID

KIT F = pos. 10 11 14 15 18 19 20 23 28 29
31 33 37 38 40 44 45 46



UN_00_4104-FR

Ref. Part N.	Cust. Part N.	Description	Reference	Price
KTRI40394	KIT P	14-43234 VRZ.Evo	0028 0040 0041	--
F KTRI40293	KIT P	SET O-RING VALVOLA VRZ	0010 0011 0014 0015 0018 0019 0020 0023 0028 0029 0031 0033 0037 0038	--
			0040 0044 0045 0046	--