



Electric car Lamborghini Aventador SV
El-bil Lamborghini Aventador SV
El bil Lamborghini Aventador SV
Sähköauto Lamborghini Aventador SV
Manual | Brugsanvisning | Instruktionsbok | Ohjeet



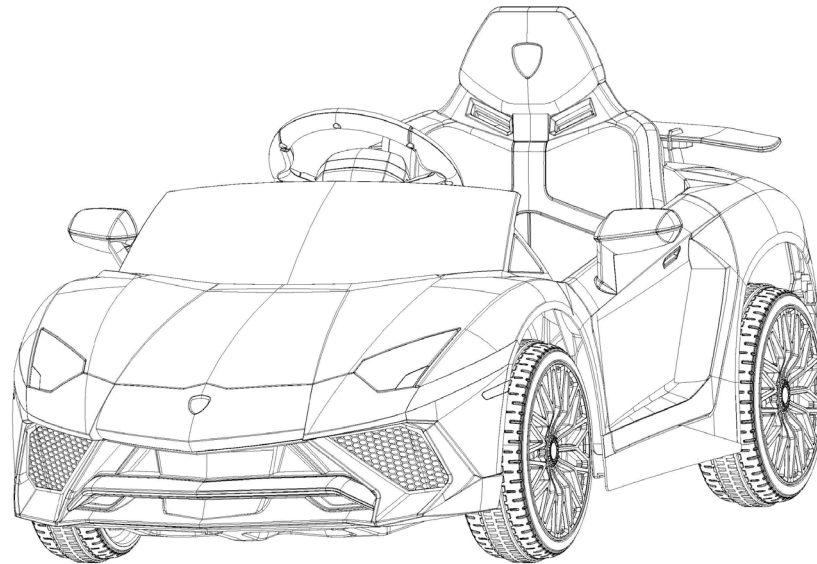
Size 115 x 65,6 x 45 cm

Art. no. 805-794
EAN 5705858717203

Imported by / Importeret af
NSH NORDIC A/S
Virkefeltet 4
DK-8740 Braedstrup

Made in China / produceret i Kina

Installation and Operating Instructions



Please read the operating instructions carefully before use

Styles and colors may vary. Made in China.

The owner's manual contains important safety information as well as assembly, use and maintenance instructions. The Ride-on Car must be assembled by an adult who has read and understands the instructions in this manual. Keep the package away from children and dispose of properly before use. Keep this manual for future reference.

Suitable age:	37 - 96 months	Battery:	12V 4.5Ah
Load Capacity:	30 kg	Size of car:	115 x 65,6 x 45 cm
Speed:	2-4 km/h		
Material:	Metal and plastic	Optimum temperature:	0 - 40°
Charger:	Input: 100-240V AC	Charging time:	8 - 12 hours
	Output: DC 12V500mA	Motor	DC 12V

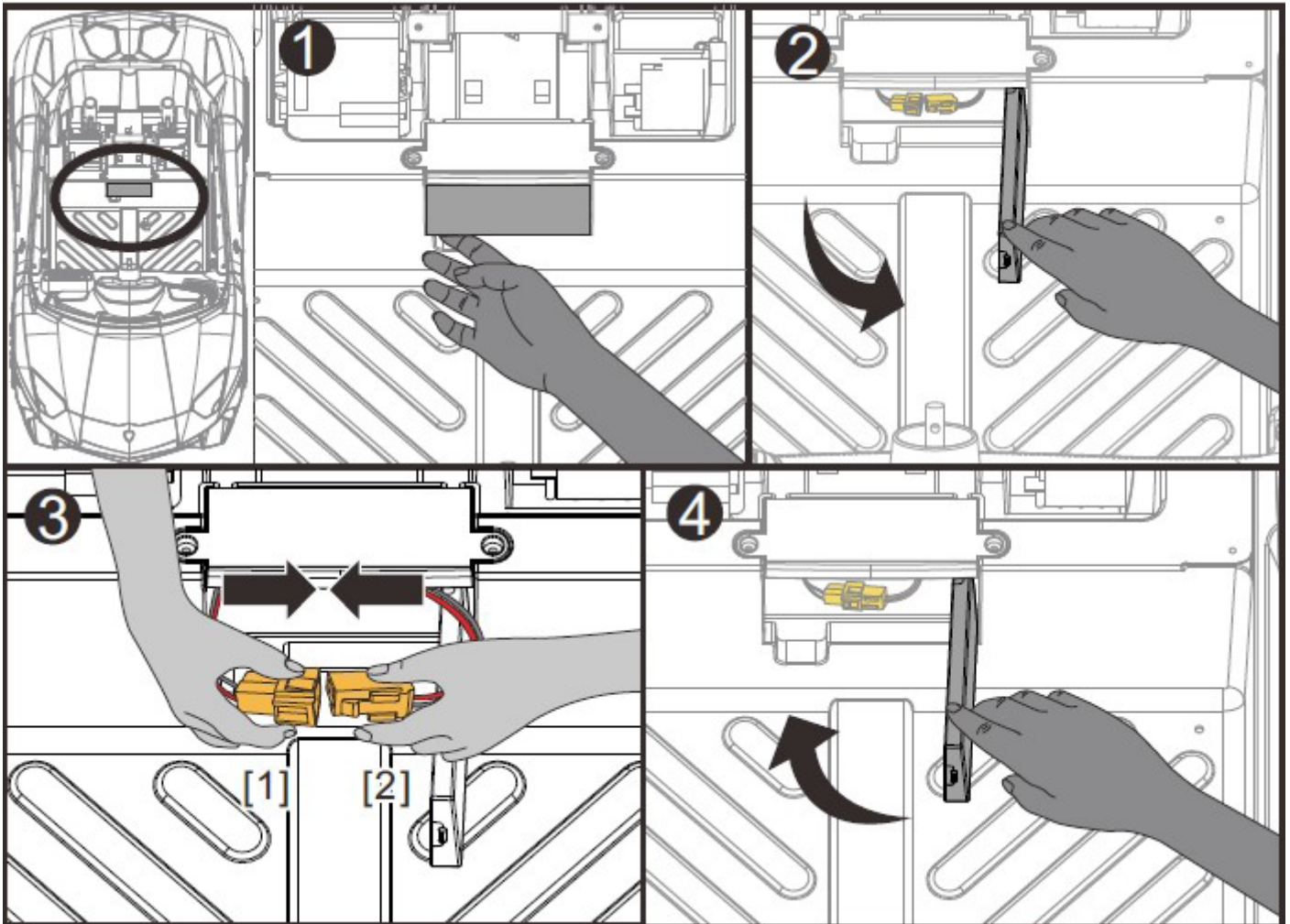
**Our products are suitable for
ASTM F963; GB6675,GB19865; EN71 and EN62115 standard.**

INSTALLATION INSTRUCTION

The illustrations in this instruction are used for easier understanding of the operation method of the product and the product structure. Please note there may be differences between the pictures and the physical item.

In order to improve the quality, we may change part of the structure and appearance of the product without an advance notice.

! Please read the instructions carefully before use, it will tell you the right operation method and installation steps. Incorrect operation may damage the product, or even hurt your child. Please keep this instruction ready and easy to find.

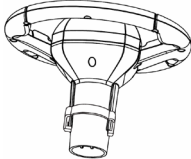

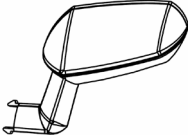
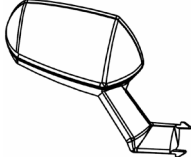


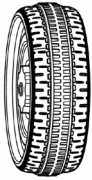


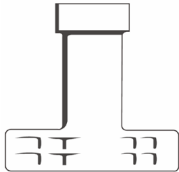
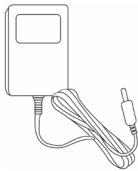
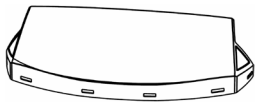
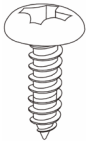


- 1 & 2: Please find and open the charging hole cover as shown in figure.
- 3. Connect the terminal [1] and [2].
- 4. Close the charging hole cover.

Preparation:

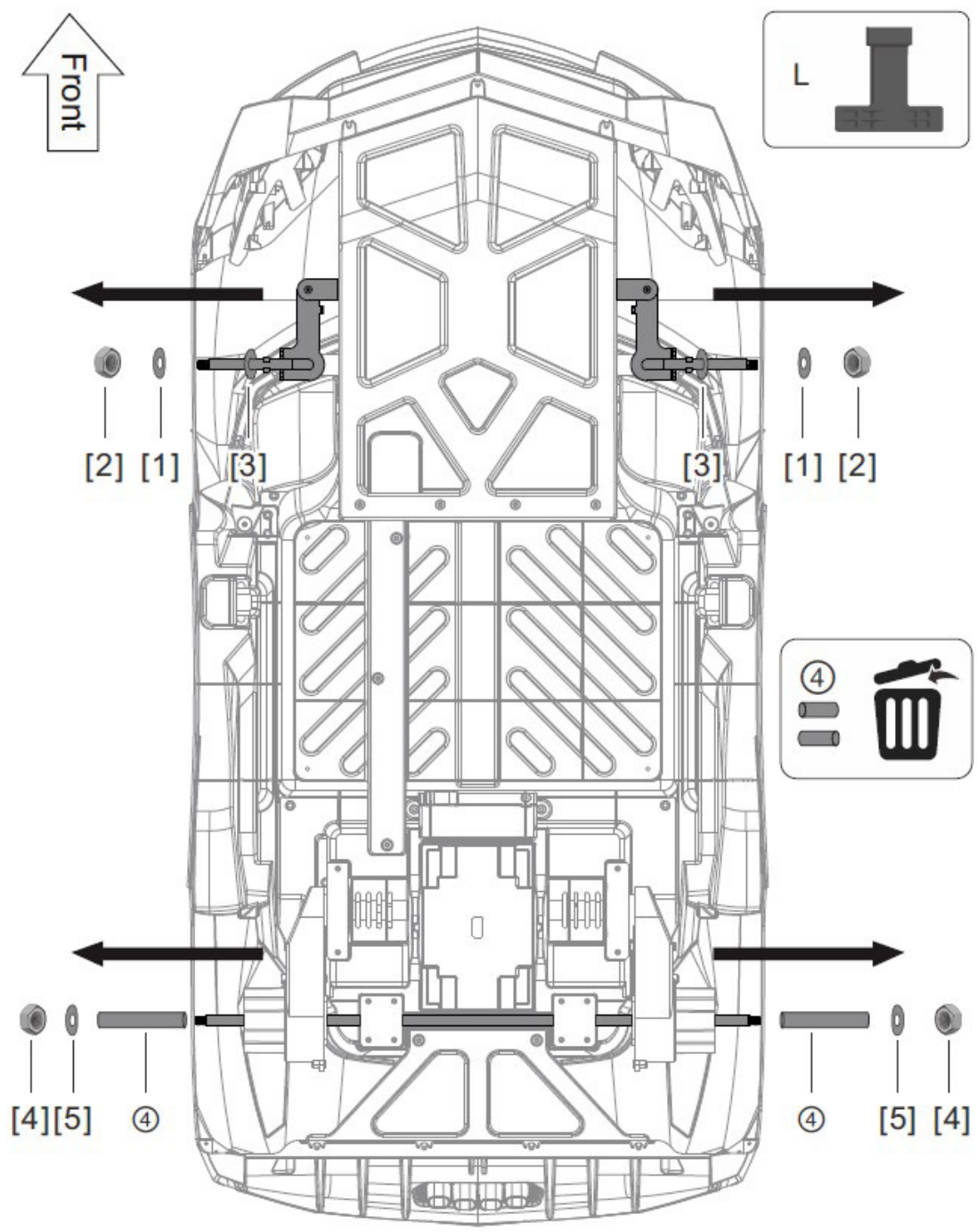
Put the car upside down on a soft cloth or smooth plane firstly (Can't be directly placed on the surface of the cement, etc., which will scratch the surface of the plastic), then take off the cardboard, foam, nylon cable ties.

Parts list

NO.	QTY	PICTURE	NO.	QTY	PICTURE
1	1	 A (Steering wheel)	2	1	 B (Instruction Book)
3	1	 C (Mirror L)	4	1	 D (Mirror R)
5	1	 E (Remote control)	6	1	 F (Rear wing)
7	4	 G (Wheel)	8	4	 H (Wheel cover)
9	1	 I (Seat)	10	2	 L (M8 Spanner)
11	1	 Q (Charger)	12	1	 R (Windshield)
13	2	 T (4*12 self-tapping screw)			

*Photos are for reference ONLY.

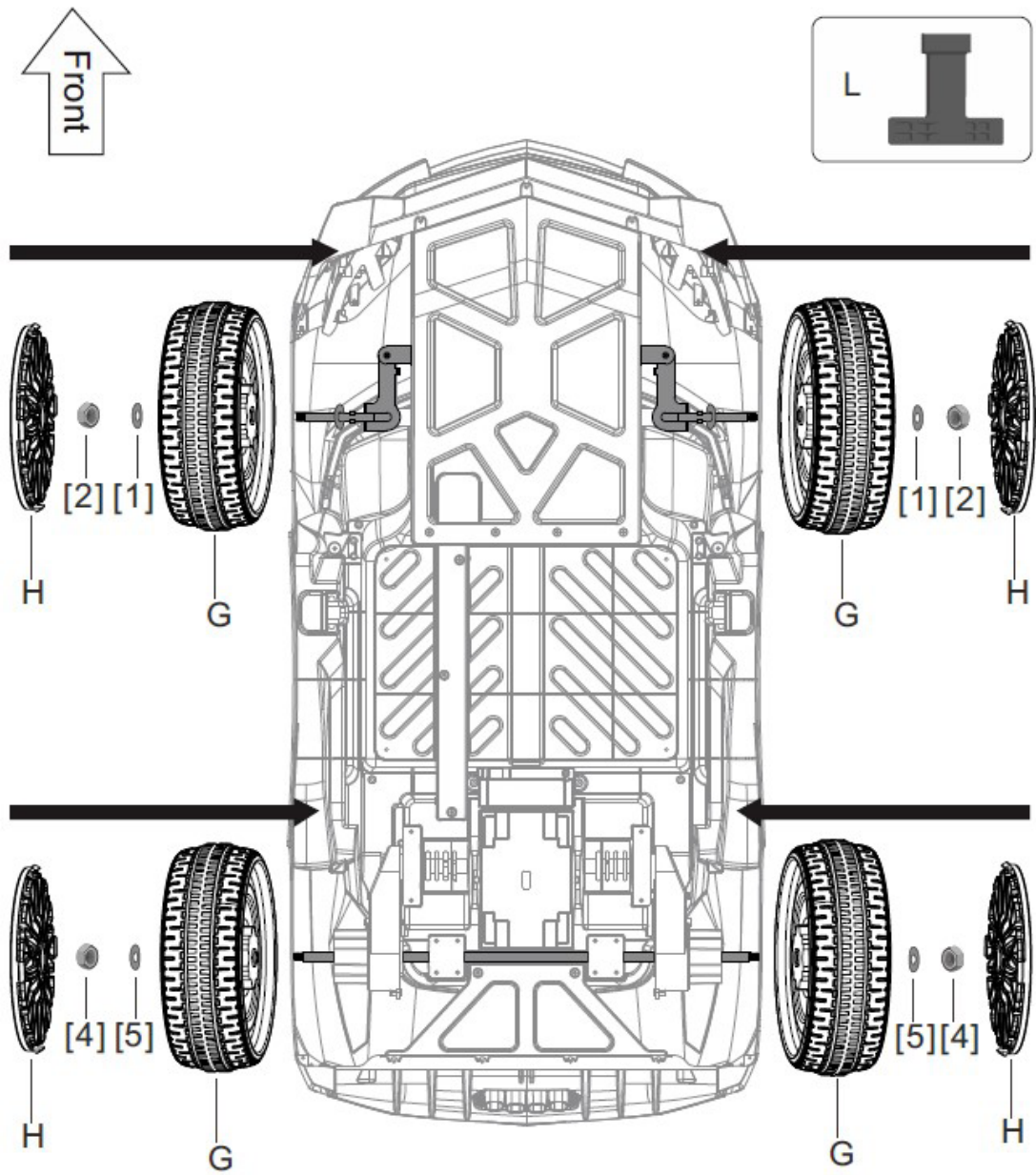
Installation Steps



Step 1-1: Install the wheel

First, use L (M8 spanner) to remove the nut [2] [4] and washer [1],[5] from the front axle. Leave the washer [3] on the 7 front axle.

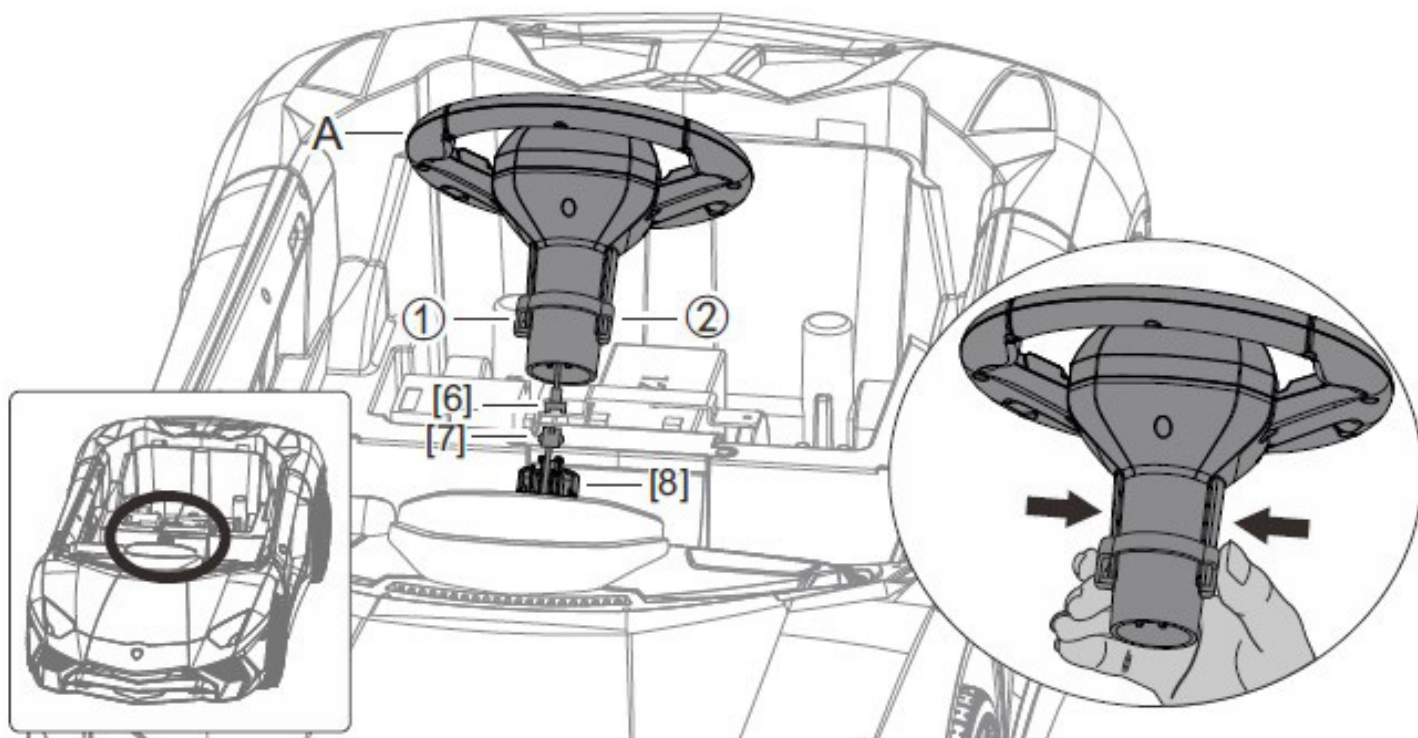
Installation Steps



Step 1-2: Install the wheel

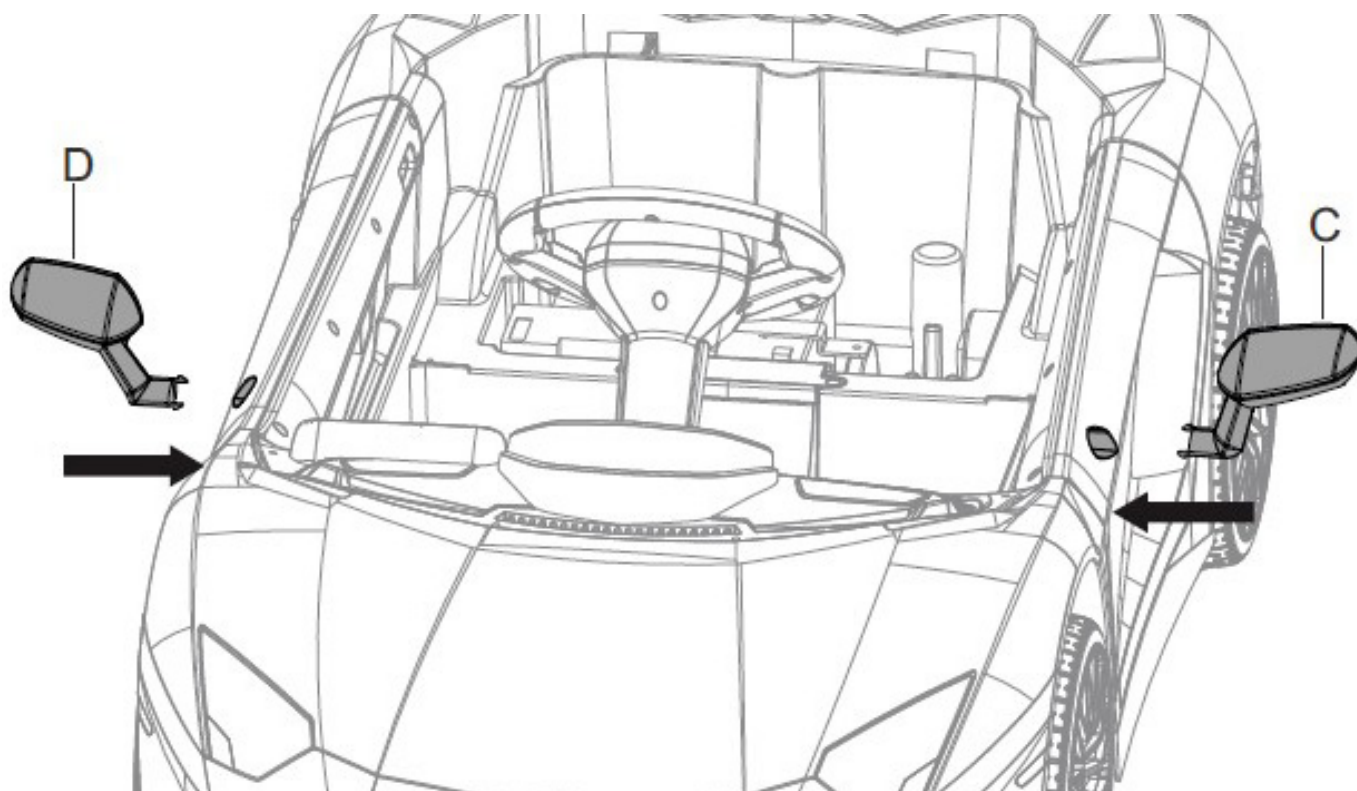
Slide part G wheel onto the front axle, then replace the nut and washer to secure the wheel, snap H (wheel cover) on the wheel. Rear wheels can be installed as front wheels.

Installation steps



Step 2: Install Steering Wheel

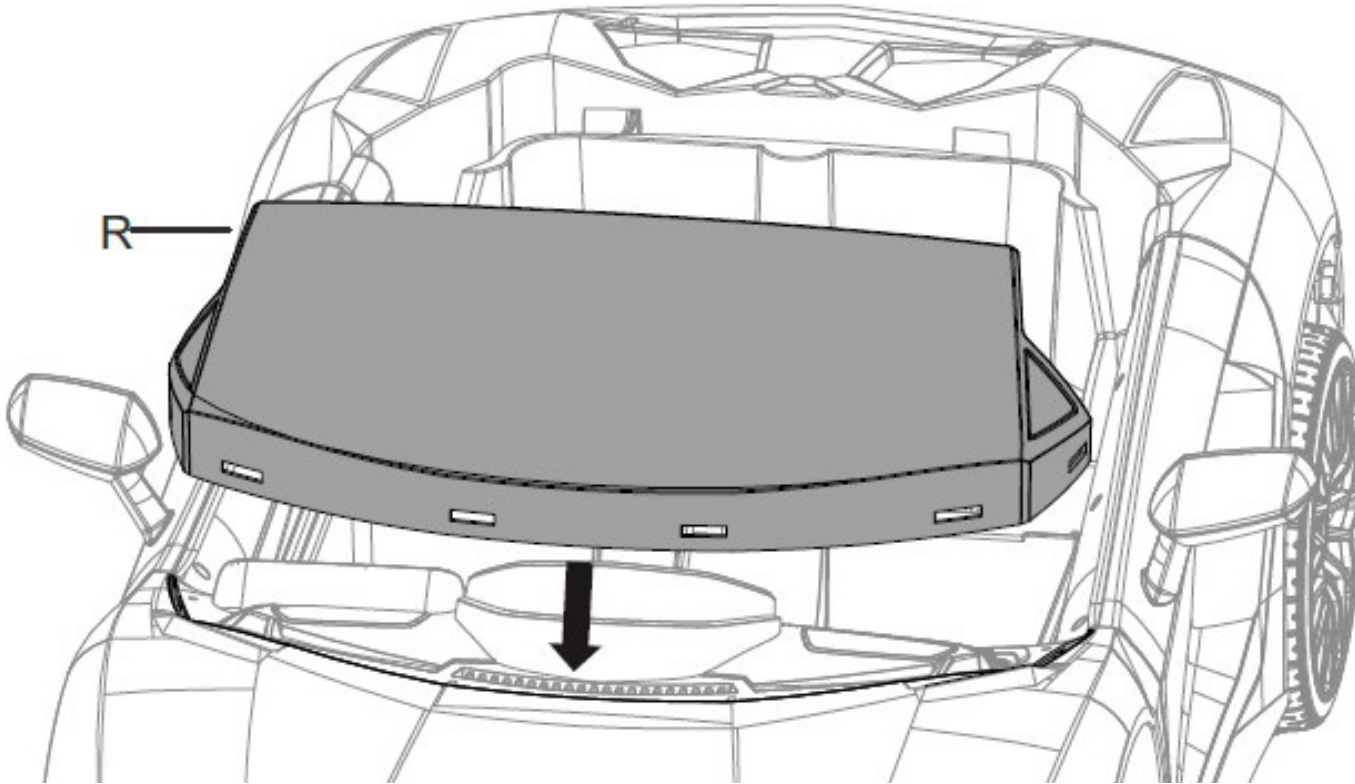
Connect [6],[7] terminal first, place and fix A (steering wheel) on [8]steering yoke as shown in figure. P.S. Take off the steering wheel: squeeze part 1 and 2, then pull out the steering wheel.



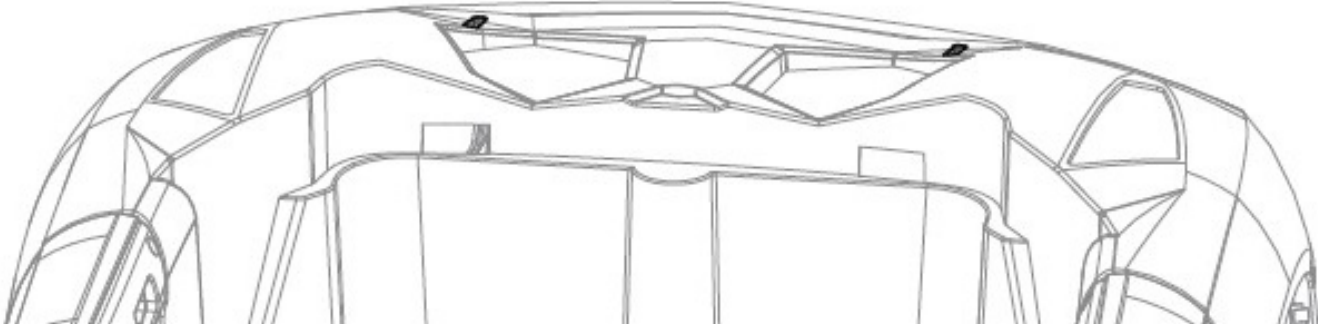
Step 3: Install mirror

Place and fix C(Mirror L), D(Mirror R) onto the right place as shown in figure.

Installation Steps

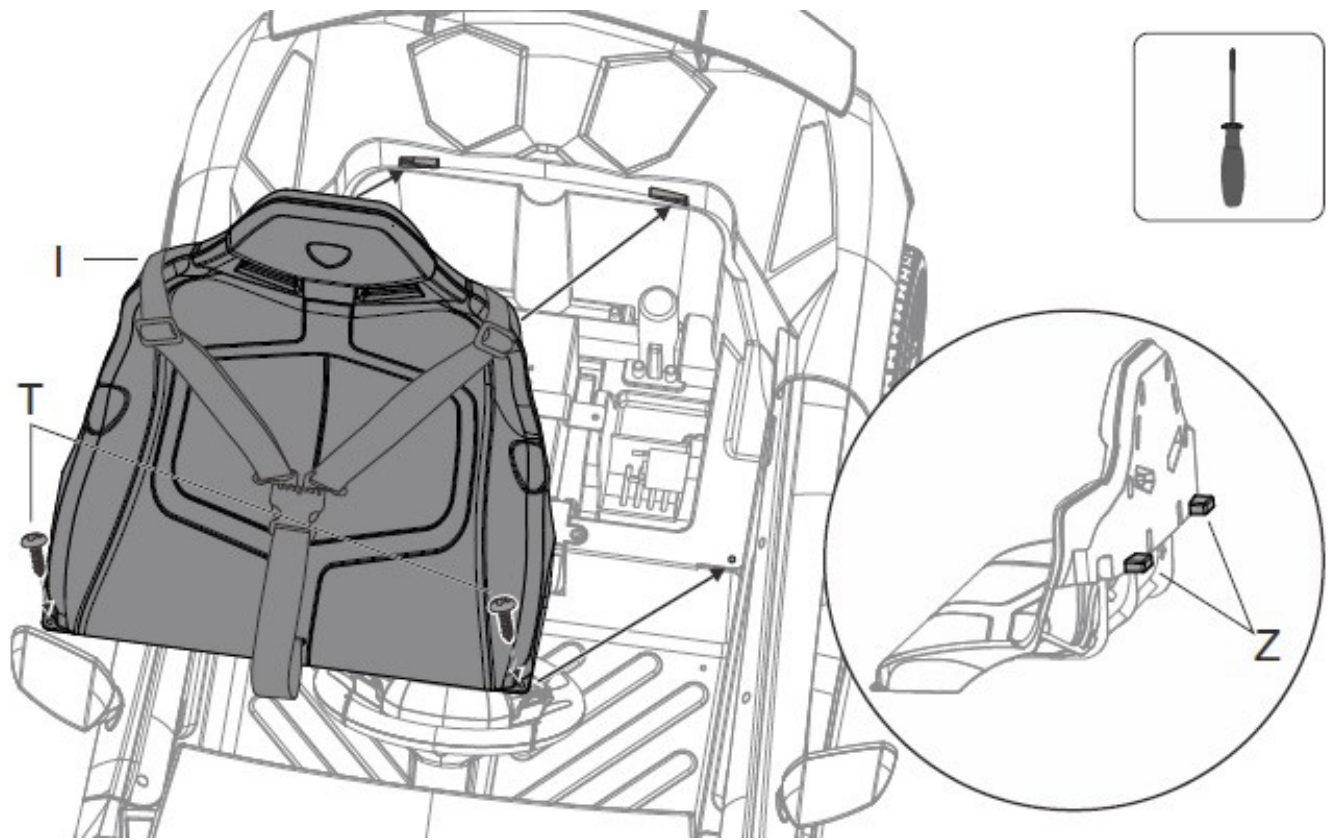


Step 4: Install windshield
Install R (windshield) to the car card slot as shown.



Step 5: Install rear wing
Install F (rear wing) to the two slots of the car body as shown in the figure.

Installation Steps

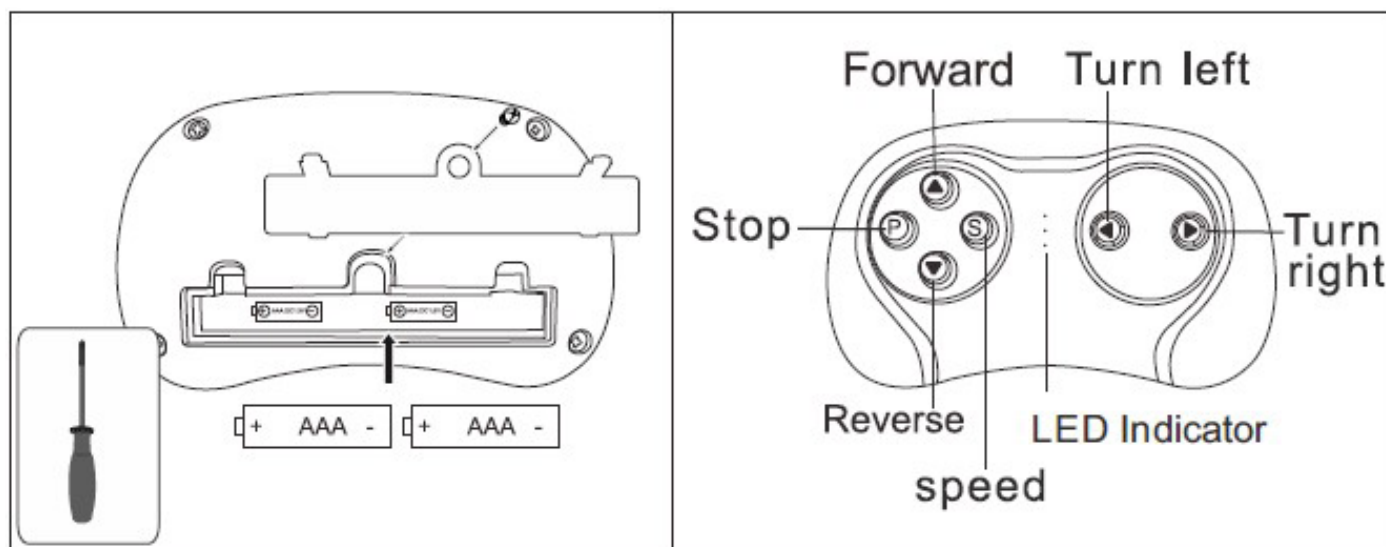


Step 6: Install seat

Place I (seat) onto the right place, fix the two hooks (z) into the corresponding slots on car body. Then tighten two T(4*12 self-tapping screw) to fix the seat.

Direction for use

1. The installation and replacement of the batteries in the remote control:



Use a screwdriver to remove the battery cover of the remote control, insert two AAA 1.5V dry batteries in correct polarity. Close the battery cover and fix it with the screw.
(Battery replacement also according to the above steps)

2. Matching the frequency of car and remote control

The remote control operation always prior to the manual control operation
(The manual control won't work while operating remote control)

1. Turn off the Power Switch on the car.
 2. Remove the battery cover on the Remote Control and put in 2 AAA batteries, the three LED indicators will flash.
 3. Turn on the Power Switch on the car, when the LED indicators stop flashing and 2 of them are on, matching success.
 4. Once the matching has been made, there is no need to match code again only if the battery is replaced.
 5. The Remote Control will enter a sleep mode if not used for a long time and the LED indicators will be off. Press any buttons to wake up the Remote Control, and it can be used normally.
- Button Description: ▲: forward ▼: reverse ◀: turn left ▶: turn right S: Speed P: Emergency brake, press it and the running function will fail, press again, it will work again.

Remote control operating instruction

Remote control has priority (when the car is in Remote control, the remote control personnel can control the car forward and backward, high/Low speed, steering and other functions, the driver CAN NOT operate the car). Press the ▲ forward button, the car goes forward.

Press ▼ reverse button, the car goes reverse.

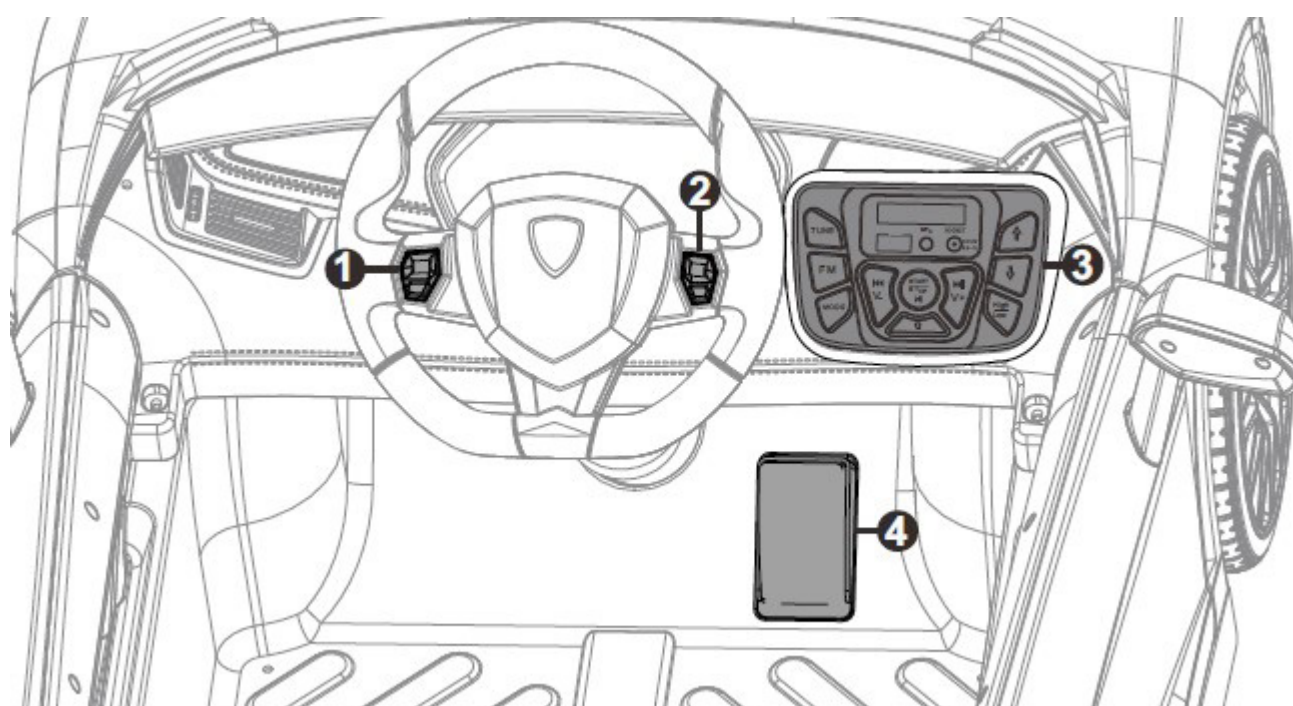
Press the P button to brake the car urgently. Press P button again to release the brake system.

Press the turn left button, car turn left, Press the turn right button, car turn right, The S button is speed button, one light on is low speed, two lights on is intermediate speed, three lights on is high speed.

WARNING

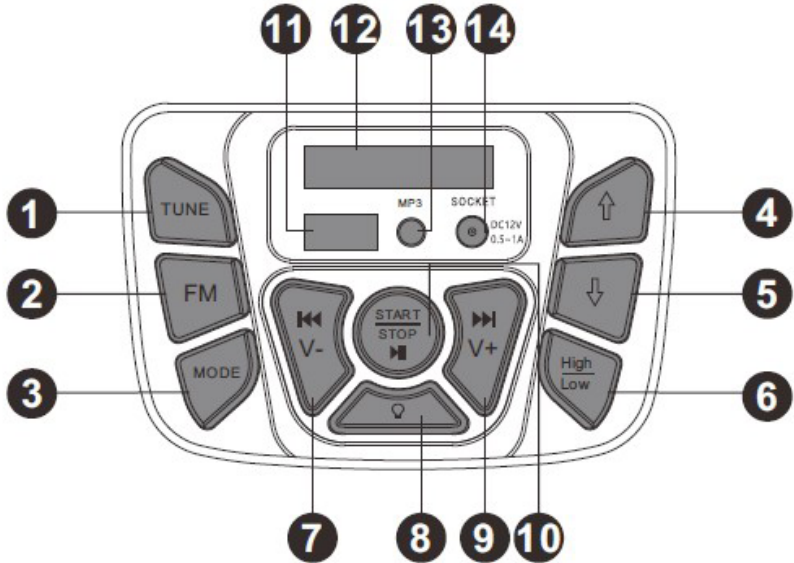
1. All batteries should be inserted in the correct polarity.
2. Non-rechargeable battery cannot be recharged.
3. Take out and properly deal with the dead battery. To avoid injury, please keep kids away from the battery.
4. The direct contact between the positive and negative terminals may result in fire or explosion. Avoid direct connect between the terminals.
5. Do not mix old and new batteries. Do not mix alkaline, standard(carbon-zinc),or rechargeable (nickel-cadmium) batteries.
6. Only an adult who has read and understood the safety warnings can recharge the battery.

1. Instruction of each switch and function button




1. Engine sound / Next song button: When flash driver and MP3 have no external device input, short press this key will play engine sound ; When flash driver and MP3 is connected with external device or under in FM mode, short press this key to play next song,long press the key to increase the volume.
2. Horn button: Short press to play the horn sound,Long press to decrease volume.
3. Control board.
4. Foot pedal switch: Step on the foot pedal switch, the car will move forward; Loosen the pedal, the car will stop.

4-1. Instruction of control board



1. FM Radio Search: Press the button to seek a radio station.
2. FM Station: Press this button to enter the FM mode.
3. Mode Switch Button: Press to toggle between music, Flash Driver and AUX mode.
4. Forward: Press forward button, step on the foot switch the car will move forward, loosen the pedal the car will stop.
5. Reverse: Press Reverse button, step on the foot switch the car will move Reverse, loosen the pedal the car will stop.
6. High/Low Speed: Power on, by default, the forward speed is high speed, press the High/low button can change to low speed, press this button again, can change to high speed. For backward, there is only one speed, the high/low button is invalid.
7. ◀◀ /V- Previous /VOL down: Short press to play the previous song, long press to decrease the volume.
8. Light Switch: Turn headlight on/off.
9. ▶▶ /V+Next/ VOL up: Next channel / Volume up: Short press to play the next song, long press to increase the volume.
10. Start/Stop/ ▶▶ : Long press to turn on and off the power. When the music or radio are on, short press to stop it, short press again to restart it.
11. Adaptor connector: Insert Flash driver to play the desired song, only MP3 mode is supported.
12. Voltage Display Screen: The value on the display be used to determine whether the battery needs to be charged.
13. AUX Mode: Connect your desired audio device.
14. Charge hole: charge the car with the own charger.

4-2. Direction for use

1. START/STOP/▶|| : Long press button 10 (START/STOP/▶|| button) for 2-3 seconds, will turn on the power, light the screen 12 and make a starting sound, after that, it can operate normally; Long press button 10 (START/STOP/▶|| button) for 2-3 seconds, will turn off the power.
2. FM radio function: press button 2 (FM button) to enter the FM mode; then press button 1 (TUNE button) will search the FM channel, This process takes a while to automatically search the station and save. When the search is complete, the car will automatically play the first radio station. Short press button 9 (▶▶| /V+ button), will play the next channel; short press button 7 (|◀◀/V- button), will play the last channel; Long press button 9 (▶▶| /V+ button), will increase the volume; long press button 7 (|◀◀/V- button), will lower the volume; short press button 10 (START/STOP/▶|| button), can stop playing, short press this button again, can restart play it.
3. Adaptor port: insert flash driver into 11 (Adaptor port), will automatically play the music inside. Short press button 9 (▶▶| /V+ button), will play the next music; short press button 7 (|◀◀/V- button), will play the last music; Long press button 9 (▶▶| /V+ button), will increase the volume; long press button 7 (|◀◀/V- button), will lower the volume; short press button 10 (START/STOP/▶|| button), can stop playing, short press this button again, can restart play it.
4. AUX player function: Insert one end of the audio cable into 13 (AUX connector), insert the another end into mobile phone, MP3, MP4, etc. Play the audio in the device, the sound will come out from the car. Long press button 9 (▶▶| /V+ button), will increase the volume; long press button 7 (|◀◀/V- button), will lower the volume; short press button 10 (START/STOP/▶|| button), can stop playing, short press this button again, can restart play it. Play progress is not affected by pauses. Under AUX mode, the last song/the next song cannot be switched in central control, can only be switched on mobile phone, MP3, MP4 or other devices.
5. Switch between Music, flash driver and AUX: If insert flash driver or AUX, press button 3 (MODE button) can switch between different play modes(Music, flash driver, AUX) .
6. Forward/ reverse, and high/ low speed function: Power on, by default, the forward speed is high speed, press button 6 (High/low button) can change to low speed, press this button again, can change to high speed. Press button 5 (↓ button), change to reverse mode, under this mode, there is only one speed, the high/low button is invalid. Press button 4 (↑ button), can change to forward mode.
7. Light button: Power on, by default, the light is on, press this button () can turn off the light. Press again, can turn on the light.

5. Operation guide for Manual control (forward, Reverse):

Driver sit down and fasten the seat belt. Long press the Start button, the display will light up, the car will play a start sound (2-5 seconds). Press the forward button and step on the foot switch, the car will move forward, release the foot switch, the car will stop. Press the reverse button and step on the foot switch, the car will move backward, release the foot switch, the car will stop. Long press the Start button again to turn off the power.

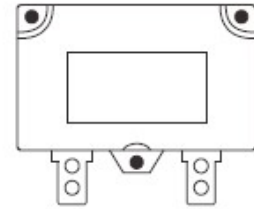
6. The illustration of high/Low Speed

Power on, by default, the forward speed is high speed, step on the foot switch, the car will move forward fast, release the foot switch, the car will stop. Press the high/low speed button can change to low speed, step on the foot switch, the car will move forward slowly, release the foot switch, the car will stop. Press the high/low speed button again will change to high speed.

* ONLY one speed for reverse, the high/low switch can not control the reverse speed. Everytime when power on, by default, the car will move forward in high speed.

7. Instruction of the recoverable fuse

Resettable fuse: when the current exceeds a certain rating, the recoverable fuse will automatically cut off the power supply for 5-10 seconds, then the current will be resupplied.



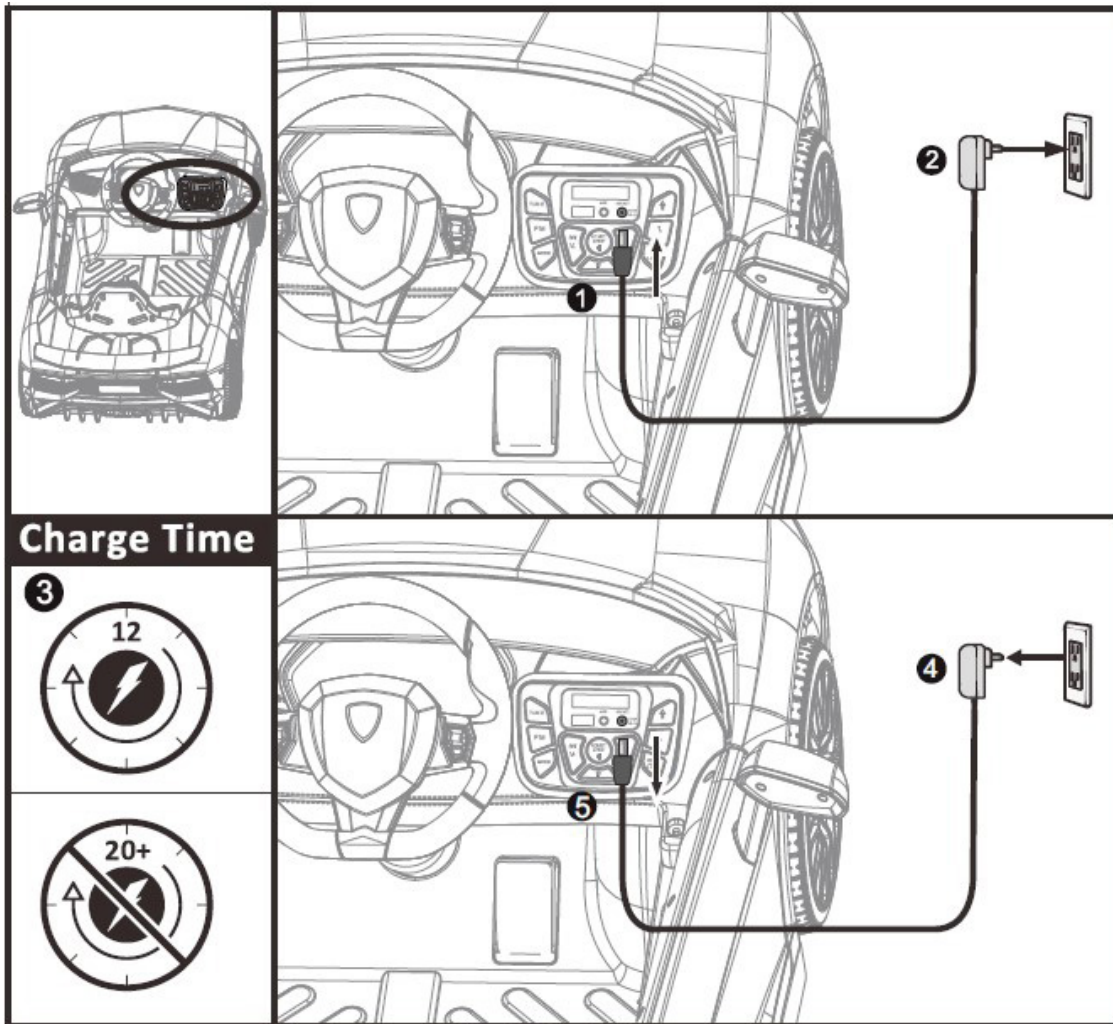
! WARNING

RISK OF FIRE. Do not bypass fuse. This may overload and damage the electrical system. Replace only with original size and type.

8. Charging instructions.

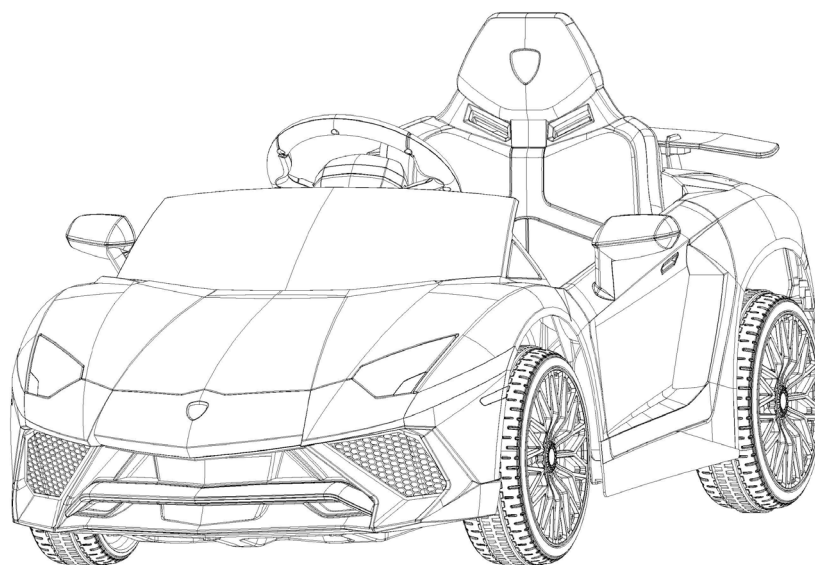
! WARNING

Please plug wall charger directly into a wall outlet. Do not use an extension cord.



When battery power is low, please charge it immediately. The charging port is on the control board as shown in figure. **Note:** toys can not be operated in the charging state. Toys should be recharged by adult operation.

Brugs og betjeningsvejledning



Venligst læs denne brugsanvisning grundigt før ibrugtagning.

Design og farver kan variere.

Denne brugsanvisning indeholder sikkerheds informationer, samlevejledning, brugs og vedligeholdelses instruktioner. El-bilen skal samles af en voksen, som har læst og forstået instruktionerne i denne manual. Hold forpakning / plastikposer væk fra børn, disse bør omgående bortskaffes. Gem manualen for eventuel senere brug.

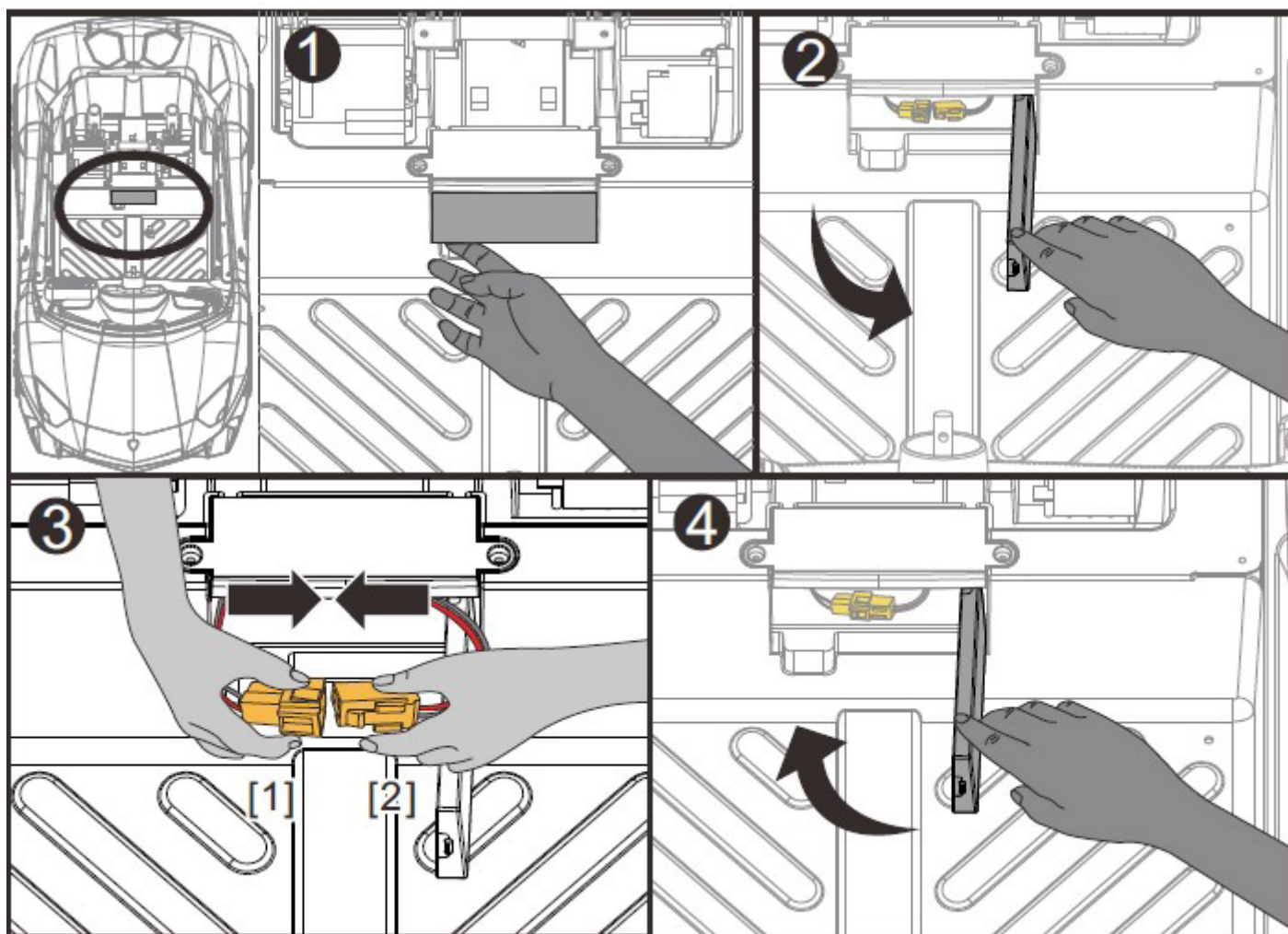
Alder fra:	37 -96 måneder	Batteri:	12V 4.5Ah
Maks kapacitet:	30 kg	Mål på Elbil:	115 x 65,6 x 45 cm
Hastighed:	2-4 km/h		
Materiale:	Metal og plastik	Anvendelses temperatur:	0 - 40°
Oplader:	Input: 100-240V AC	Ladetid:	8 - 12 timer
	Output: DC 12V500mA	Motor	DC 12V

Vores produkter opfylder:
ASTM F963; GB6675,GB19865; EN71 og EN62115 standard.

MONTERING

Nedenstående tegninger er udarbejdet for, at gøre det lettere, at samle og forstå tilslutning af batteri m.m. Bemærk der kan være forskelle mellem tegning og det fysiske produkt.

! Venligst læs vejledningen omhyggeligt før ibrugtagning. Denne vil informere dig omkring korrekt anvendelse og samling. Forkert montering kan beskadige produktet og i værste fald deres barn. Gem manualen for eventuel senere brug.

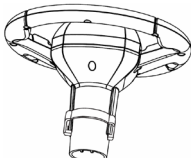

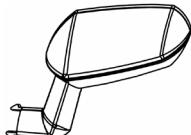
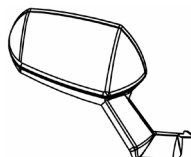
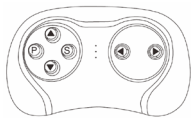

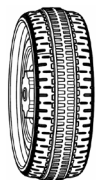


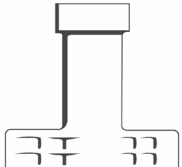
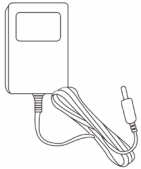
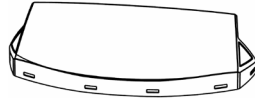
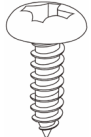


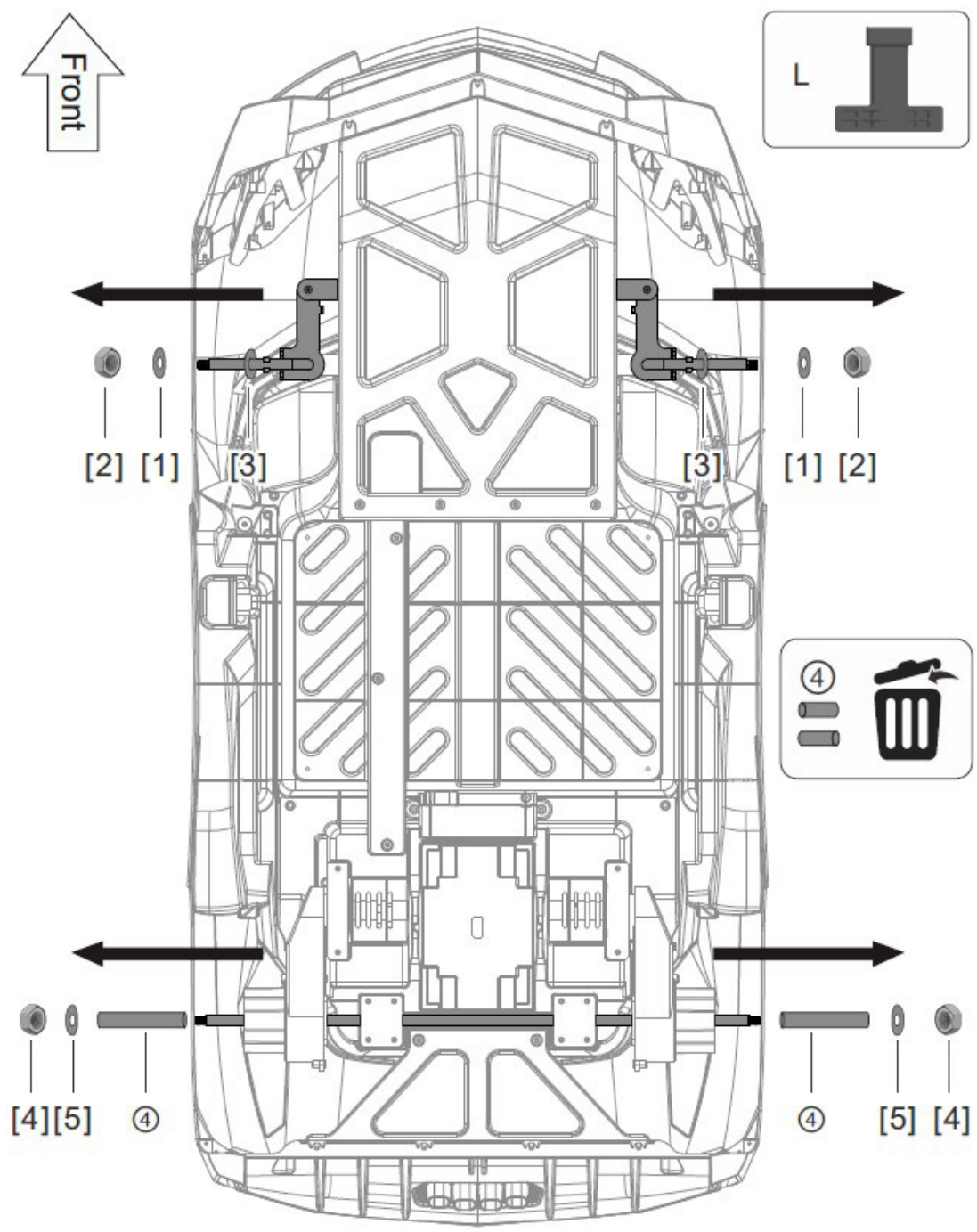
1. & 2. Venligst find og åben lemmen til ladestikket, som vist på tegningen.
3. Saml de 2 terminaler / stik [1] and [2].
4. Luk lemmen igen.

Forberedelse:

Vend bilen på hovedet. Placer bilen på et tæppe / blødt underlag. (ikke direkte på beton eller cement gulv, hvilket vil ridse plastik overfladen på bilen), derefter fjern diverse indpaknings materialer.

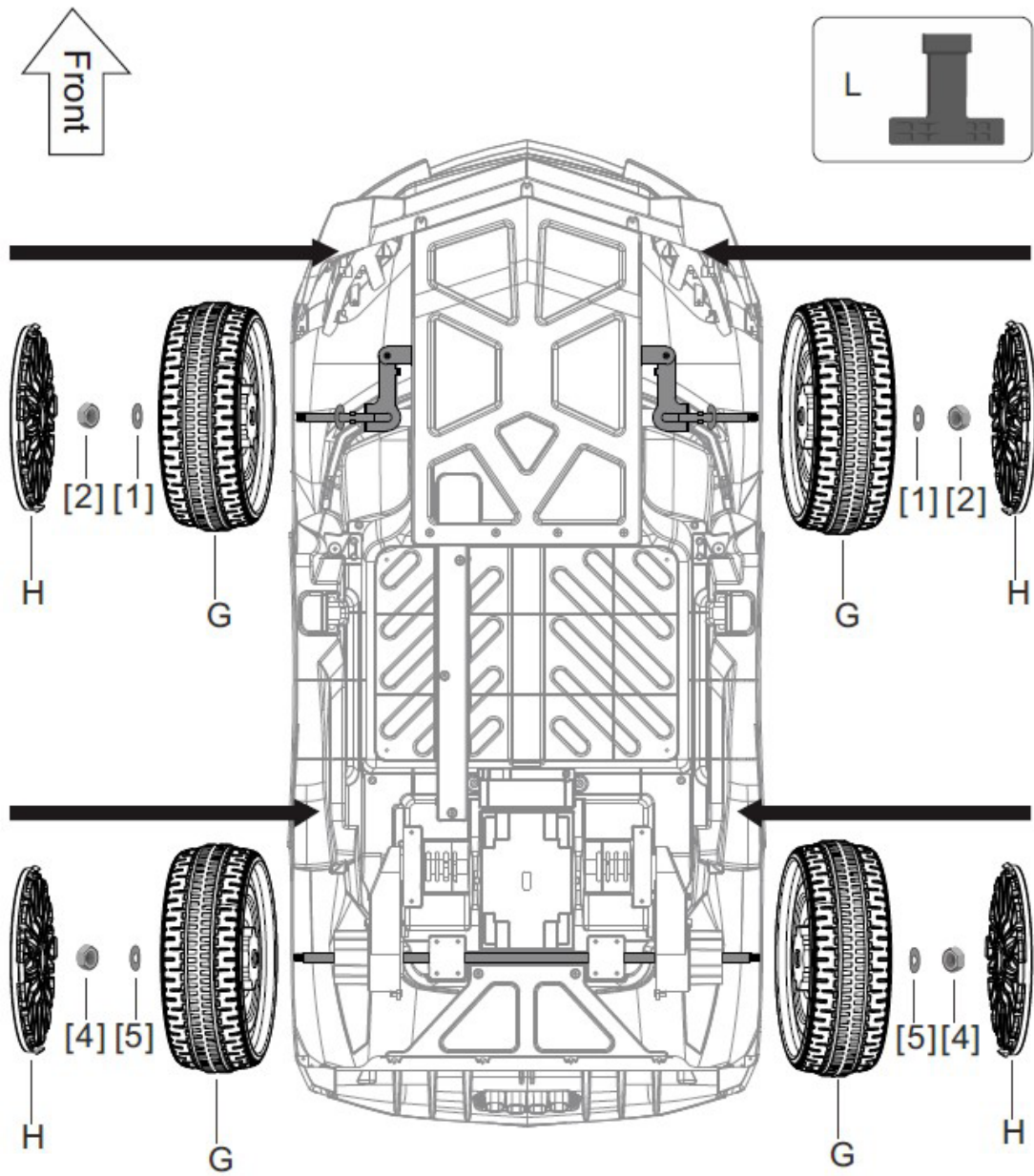
Del liste

NR.	ANTAL	BILLEDE	NR.	ANTAL	BILLEDE
1	1	 A (Bilrat)	2	1	 B (Instructionsbog)
3	1	 C (Sidespejl L)	4	1	 D (Sidespejl R)
5	1	 E (Fjernbetjening)	6	1	 F (Spoiler)
7	4	 G (Hjul)	8	4	 H (Hjul)
9	1	 I (Sæde)	10	2	 L (M8 Fastnøgle)
11	1	 Q (Oplader)	12	1	 R (Frontrude)
13	2	 T (4*12 selvskærende skrue)			



Trin 1-1: Montering af hjul

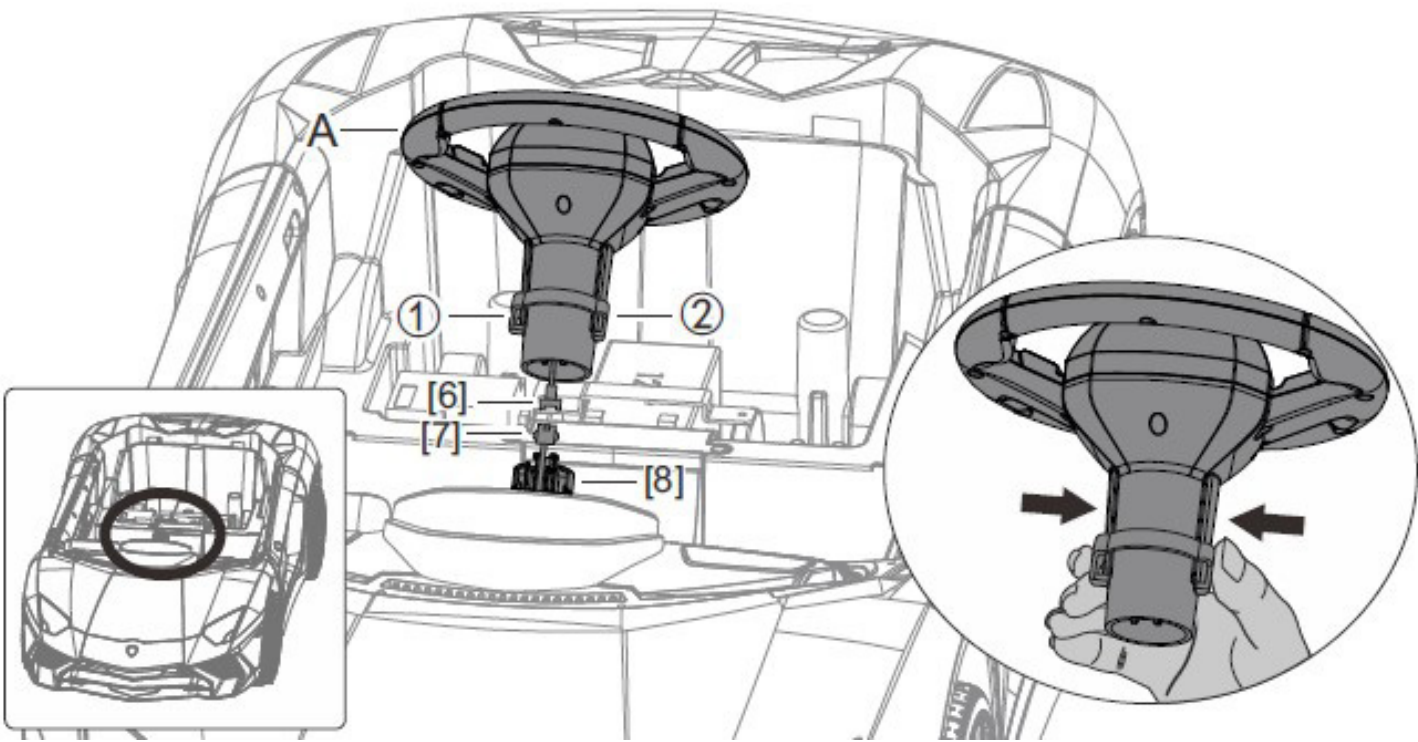
Afmonter møtrikkerne (2+4) og spændeskiverne (1+5) fra akslerne. Anvend fastnøglen L. Efterlad spændeskiverne (3) på frontakslen.



Trin 1-2: Montering af hjul

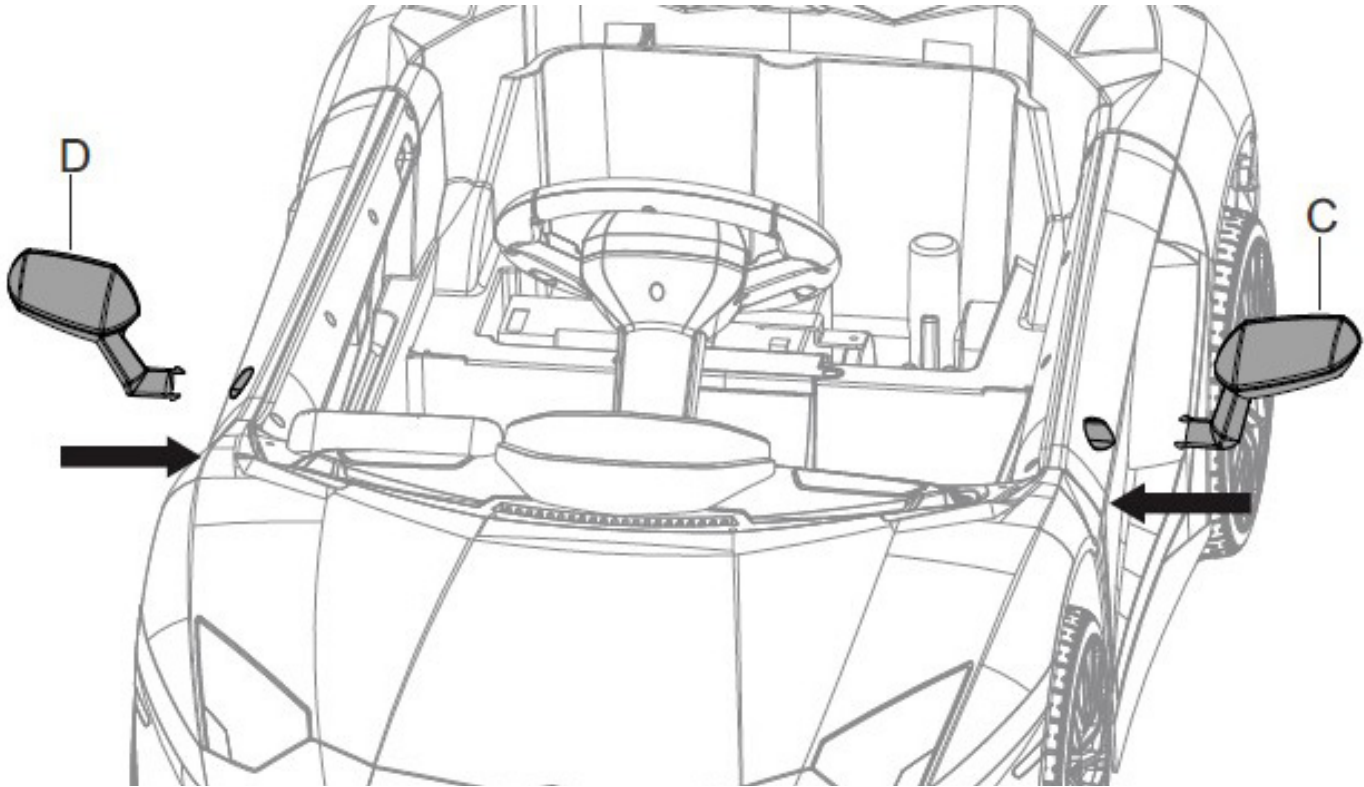
Skub hjulene (G) ind på frontakslen og påsæt skiver og møtrikkerne (som vist på tegningen) for at fastholde hjulene. Klik hjulkapserne (H) uden på hjulene. Gentag proceduren for baghjulene.

Monteringstrin



Trin 2: Montering af rat

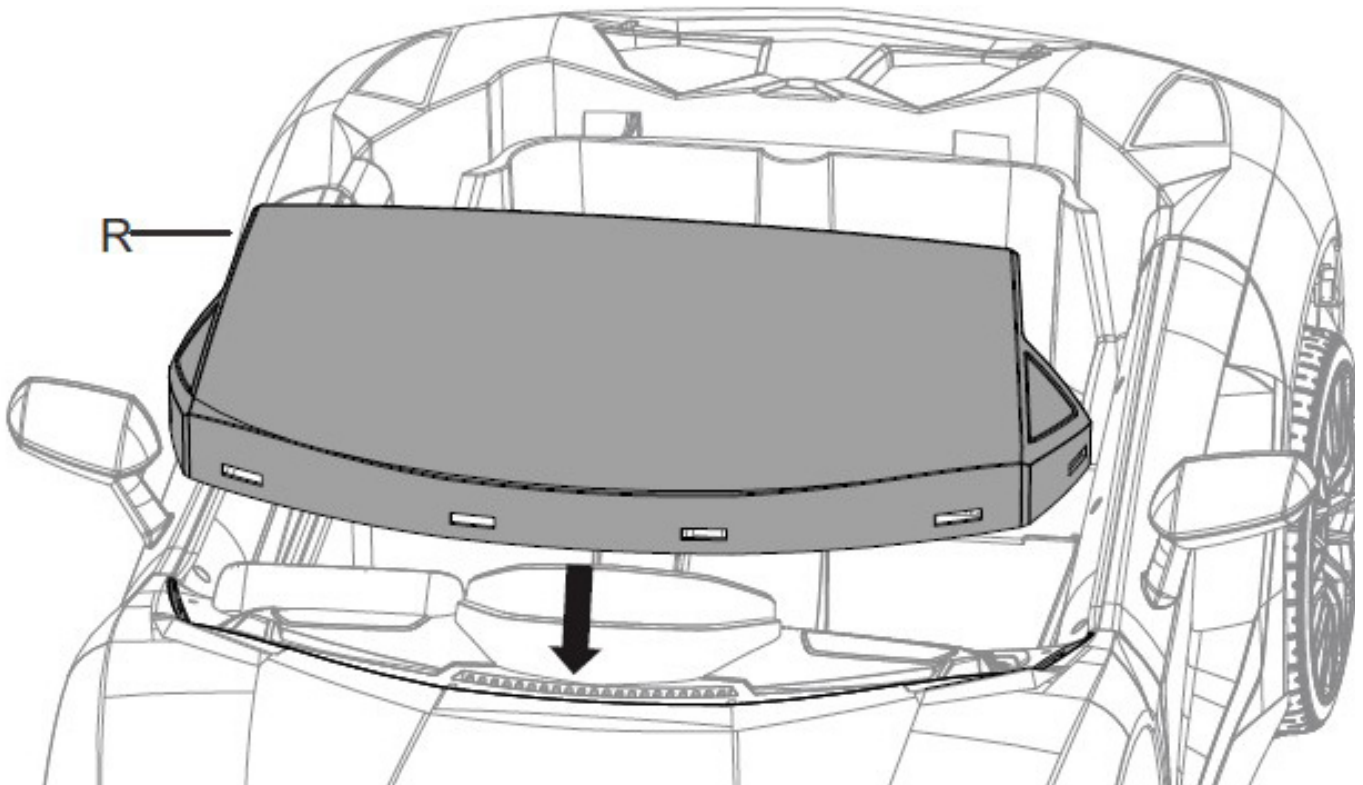
Først tilsluttes terminalerne 6 og 7. Derefter påsættes rattet (A) på ratstammen (8) som vist på tegningen. Ved afmontering af rattet, tryk ind på taperne på rattet og træk forsigtigt tilbage.



Trin 3: Montering af sidespejle

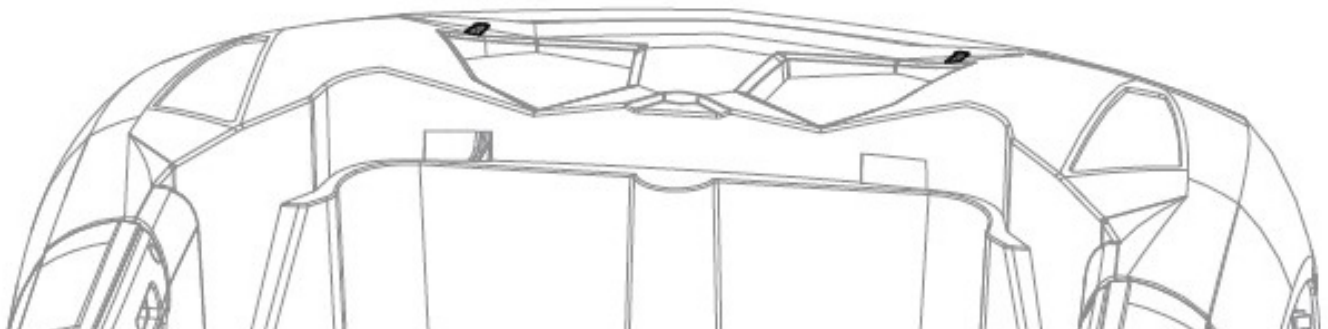
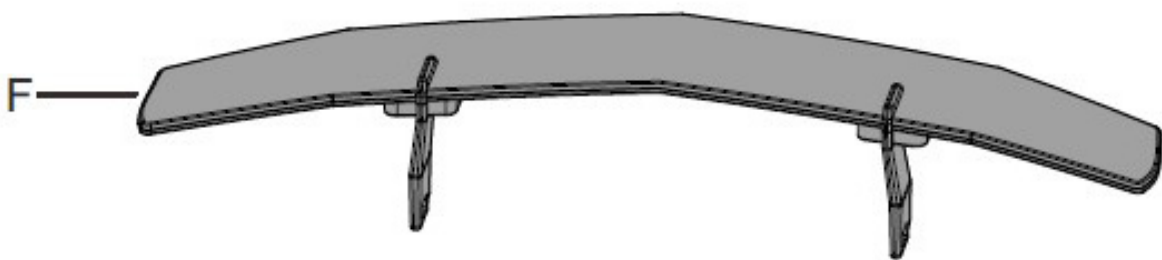
Tryk sidespejlene ind i dørene, vær opmærksom på venstre (L) og højre (R).

Monteringstrin



Trin 4: Montering af frontrude

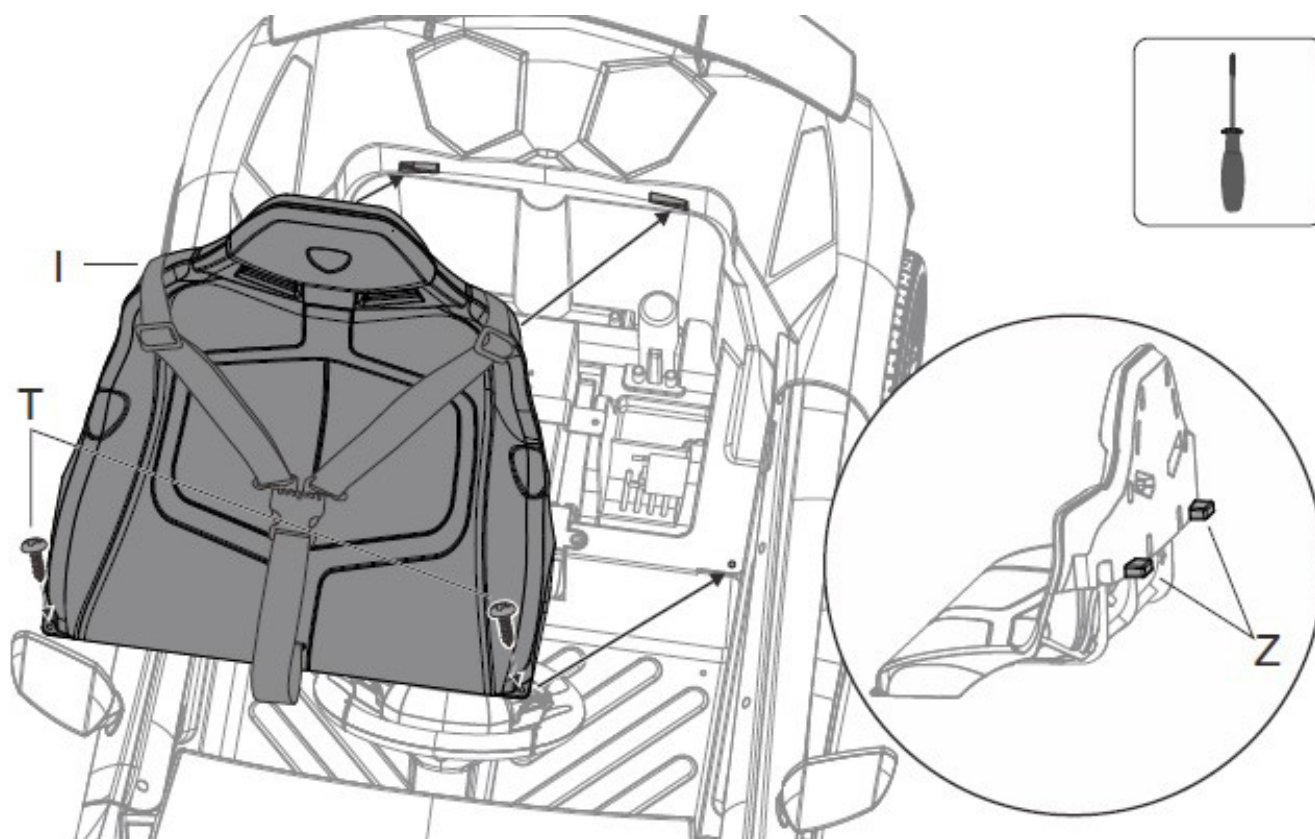
Påsæt frontruden R i slidserne som vist på tegningen.



Trin 5: Montering af spoiler

Påsæt spoileren F i de 2 slidser på karrosseriet som vist på tegningen

Monteringstrin

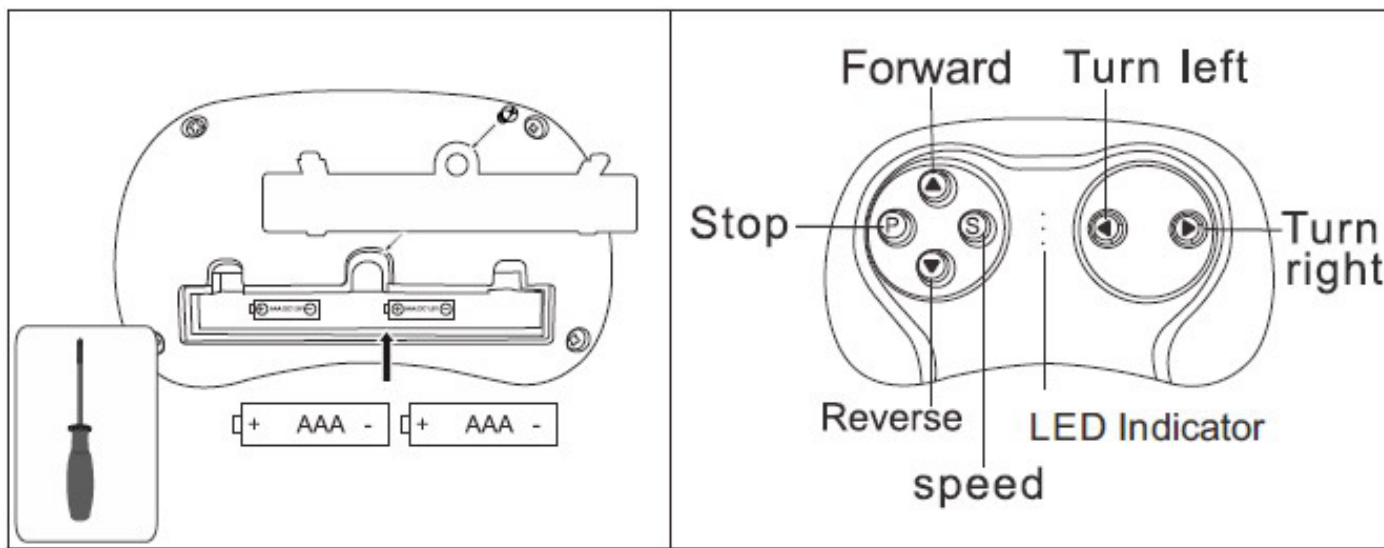


Trin 6: Montering af sæde

Placer sædet (I), således at de 2 tapper (z) passer ind i de 2 slidser på karrosseriet.
Derefter fastgøres sædet med 2 stk. Selvskærende skruer (T)

Ibrugtagning, hvordan kommer jeg i gang:

1. Isætning / udskiftning af batterier i fjernbetjening:



Løsn skruen til batterikammeret. Isæt 2 X AAA 1.5V batterier. Vær opmærksom på korrekt polaritet. Sæt batterilåget på igen og fastgør det med skruen igen.
(Batteri udskiftning: Følg ovenstående vejledning.)

2. Etablering af forbindelse mellem bil og fjernbetjening

BEMÆRK: Fjernbetjening vil altid have 1.prioritet i forhold manual brug af bilen. Det vil sige, hvis fjernbetjeningen anvendes virker de enkelte funktioner ikke på bilen.

1. Sluk for tænd/sluk knappen på bilen.
2. Fjern batterilåget fra fjernbetjeningen. Isæt 2 stk. AAA batterier og de 3 LED lys på fjernbetjeningen vil blinke.
3. Tænd for tænd/sluk knappen på bilen. Når LED lyset på fjernbetjeningen stopper med at blinke og to af lysene lyser konstant, så er der forbindelse mellem de 2 enheder.
4. Når først forbindelse mellem de 2 enheder er etableret, skal dette ikke foretages igen før en eventuel udskiftning af batterier.
5. Fjernbetjeningen går i dvale, når denne ikke anvendes i længere perioder og LED lysene slukker. Tryk på en vilkårlig knap på fjernbetjeningen og den er klar til brug igen. Beskrivelse af knapper: ▲: Frem ▼: Tilbage ◀: Drej til venstre ▶: Drej til højre. S: hastighed P: katastrofe brems. Tryk på knappen og drift funktionerne vil være ude af drift. Tryk på knappen igen og funktionerne virker igen.

Anvendelse af fjernbetjening

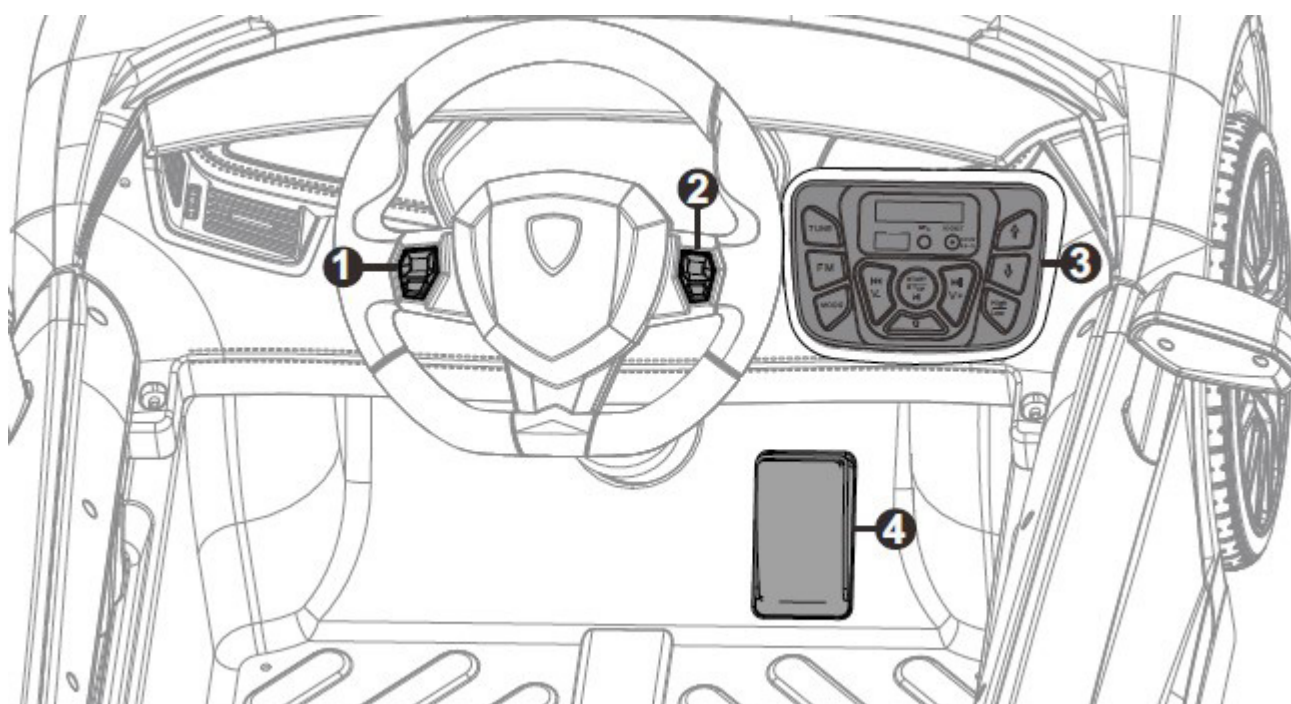
Fjernbetjeningen har prioritet (Når bilen styres ved hjælp af fjernbetjeningen kan man få bilen til at køre frem eller tilbage, køre med høj eller lav hastighed, styre bilen og andre funktioner. Chaufføren kan ikke kontrollere bilen). Tryk på ▲ fremad knappen og bilen kører fremad. Tryk på ▼ knappen og bilen kører baglæns. Tryk på P knappen for at bremse bilen hurtigst muligt. Tryk på P knappen igen for at udløse bremsen. Tryk på S knappen (hastighed) 1 lys = lav hastighed, 2 lys = mellem hastighed, 3 lys = maks hastighed. Pil højre og venstre angiver højre eller venstre sving.



ADVARSEL

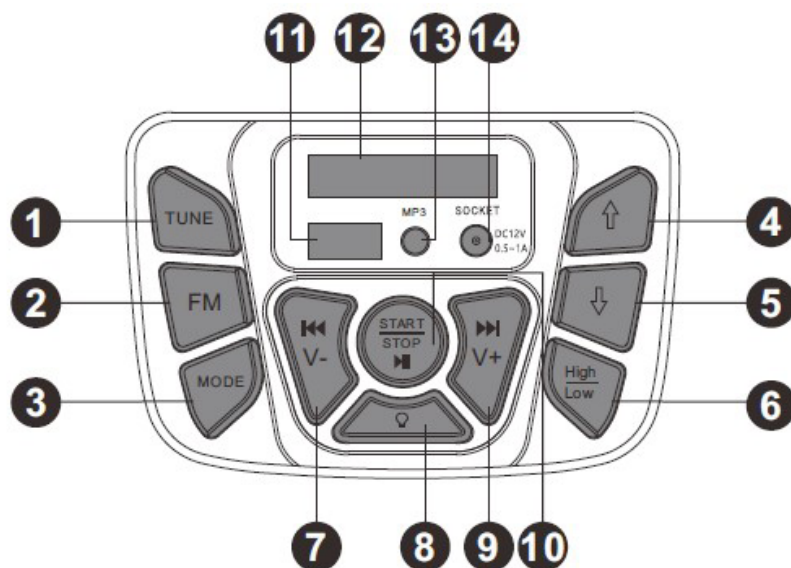
1. Batterier skal være isat med korrekt polaritet.
2. Ikke opladelige batterier kan ikke oplades.
3. Brugte batterier skal bortskaffes korrekt. Hold børn væk fra batterier.
4. Miks ikke gamle og nye batterier eller forskellige typer / brands af batterier.
5. Kun voksne som har læst og forstået sikkerhedsadvarslerne må oplade batterier.

1. Vejledning til de enkelte knapper i bilen.



1. Motor lyd / næste sang knap: når der hverken er tilsluttet USB eller MP3 vil et kort tryk på knappen resultere i en motor lyd. Når USB og MP3 er tilsluttet eller på FM mode vil et kort tryk resultere i skift til næste sang / nummer. Et længere tryk vil skruer op for lyden.
2. Horn knap: kort tryk og hornet lyder, længere tryk og der skrues ned for lyden.
3. Betjeningspanel for musik m.m.
4. Fodpedal / speeder: tråd på speederen og bilen kører fremad. Løft foden fra speederen og bilen stopper.

4-1. Vejledning til betjeningspanel.



1. FM Radio søgning: Tryk på knappen for, at søge på en radiostation.
2. FM Station: Tryk på knappen for, at lytte til FM radio.
3. Mode knap: Tryk på knappen for, at veksle mellem musik, USB og AUX tilstand.
4. Forlæns: Tryk på knappen og træd på speederen, bilen vil køre fremad. Slip speederen og bilen stopper.
5. Baglæns: Tryk på knappen og træd på speederen, bilen vil køre baglæns. Slip speederen og bilen stopper.
6. High/Low knap: standard: når man tænder bilen og skal fremad, startes på høj hastighed. Tryk på High/low knappen for at ændre til lav hastighed. Baglæns har kun en hastighed. Knappen vil være ude af drift.
7. ◀◀ /V- forrige nummer / lyd ned: kort tryk for at afspille foregående nummer. Langt tryk for at dæmpe lyden.
8. Lys knap: Tænd / sluk forlygter.
9. ▶▶ /V+ Næste nummer / Lyd op: Kort tryk for at afspille næste nummer. Langt tryk for at skrue op for lyden.
10. Start/Stop/ ▶▶ :Langt tryk for at tænde eller slukke for bilen. Hvis der afspilles musik eller radio, kort tryk for stoppe, kort tryk igen for at genstarte musikken.
11. USB indgang: Isæt USB stik for, at afspille ønskede sange, kun MP3 understøttes.
12. Volt display: Værdien på displayet skal være med til, at afgøre om batteriet skal oplades.
13. AUX udtag: Tilslut din ønskede musik afspiller, såsom mobil telefon m.m.
14. Opladnings indgang: Oplad bilen med medfølgende oplader.

4-2. Anvendelse af betjeningspanel

1. START/STOP/▶▶ : tryk på (START/STOP/▶▶ knappen (10) i 2-3 sekunder, dette vil starte bilen, oplyse displayet og fremkomme med motor lyd. Så er man klar til at anvende bilen. Tryk på (START/STOP/▶▶ knappen (10) i 2-3 sekunder og bilen slukker.
2. FM radio funktion: Tryk på FM knappen (2) for at aflytte radio. Tryk på (TUNE) knappen (1) og der søges efter FM kanaler. Søgningen kan tage lidt tid, hvor radioen automatisk søger og gemmer de fundne stationer. Når søgningen er afsluttet vil bilen / radioen automatisk afspille den første gemte station. Et tryk på (▶▶ /V+ Knappen) (9) og der skiftes til næste station. Et tryk på (◀◀/V- knappen) (7) og forrige station afspilles. Langt tryk på (▶▶ /V+ knappen) (9), vil forøge lyd- styrken. Langt tryk på (◀◀/V- knappen) (7), vil reducere lydstyrken. Et kort tryk på (START/STOP/▶▶ knappen) (10), stopper afspilning, tryk igen og afspilning starter igen.
3. USB indgang: isæt USB stikket i udgangen (11) og musikken afspilles automatisk. Et kort tryk På (▶▶ /V+ knappen) (9), vil afspille det næste nummer. Kort tryk på (7) (◀◀/V- knappen), vil afspille sidste nummer, langt tryk og der skrues ned for lyden (▶▶ /V+ knappen) (9) langt tryk vil forøge lyd styrken. Kort tryk på (10) (START/STOP/▶▶ ,(knappen) slukker for musikken, tryk igen og musikken starter igen.
4. AUX / MP3 udtag: Isæt kabel i udtaget (13) og tilslut din mobil telefon, MP3 eller MP4 afspiller. Afspil derefter din musik, lyden vil komme ud fra biles højtalere. Langt tryk på (9) (▶▶ /V+ knappen vil forøge lydstyrken, langt tryk på (7) (◀◀/V- knappen vil reducere lydstyrken. (START/STOP/▶▶ knappen (10) kort tryk slukker for musikken, tryk igen og musikken starter igen. Musik rækkefølgen ændres ikke ved pauser. Ved afspilning via AUX kan der kun skiftes music numre fra din mobile enhed.
5. Skift musik fra Radio, USB eller AUX: på knappen (3) MODE.
6. Frem/ tilbage, høj/ lav hastigheds funktions knapper. Når der er tændt for bilen vil hastigheden som standard på fremdrift stå på høj. Tryk på knap (6) for at ændre til lav hastighed, tryk igen og der ændres til høj hastighed. Tryk på knappen 5 (↓) og bilen er klar til at bakke, i denne indstilling er der kun en hastighed (lav) knappen (high/low) er ude af funktion. Tryk på knappen 4 (↑) for at ændre til fremdrift.
7. Lys knap (8): når der er tændt for bilen, vil der som standard være lys på bilen. knappen (💡) kan tænde og slukke for lyset.

5. Vejledning ved manual kørsel:

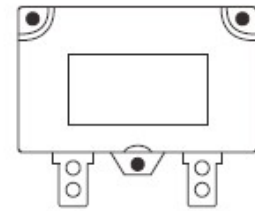
Barnet sætter sig i sædet og spænder selen. Tryk på Start knappen (2-3) sekunder, displayet vil lyse op og start lyd afgives (2-5 sekunder). Tryk på fremdrift knappen (4) og tråd på speederen og bilen vil køre fremad. Løft foden fra speederen igen og bilen stopper. Tryk på tilbagedrift knappen (5) tråd på speederen og bilen bakker. Slip pedalen igen og bilen stopper. Tryk på Start/Stop knappen i 2-3 sekunder og motoren stopper.

6. Vejledning til høj og lav hastighed

Tænd for "Power on". Tråd på fodkontakten og bilen bevæger sig hurtigt fremad. Slip fodkontakten og bilen stopper. Tryk på høj / lav hastighedsknappen og der skiftes til lav hastighed. Tråd på fodkontakten og bilen bevæger sig langsomt fremad. Slip fodkontakten og bilen stopper. Tryk på høj / lav hastighedsknappen igen for at skifte til høj hastighed. KUN en hastighed når der skal bakkes. Hver gang når den tændes, kører bilen som standard frem i høj hastighed.

7. Vejledning til overbelastningssikring

Hvis det elektriske system i bilen bliver overbelastet vil overbelastningssikringen slå fra. Efter 5-10 sekunder vil sikringen automatisk slå til igen.



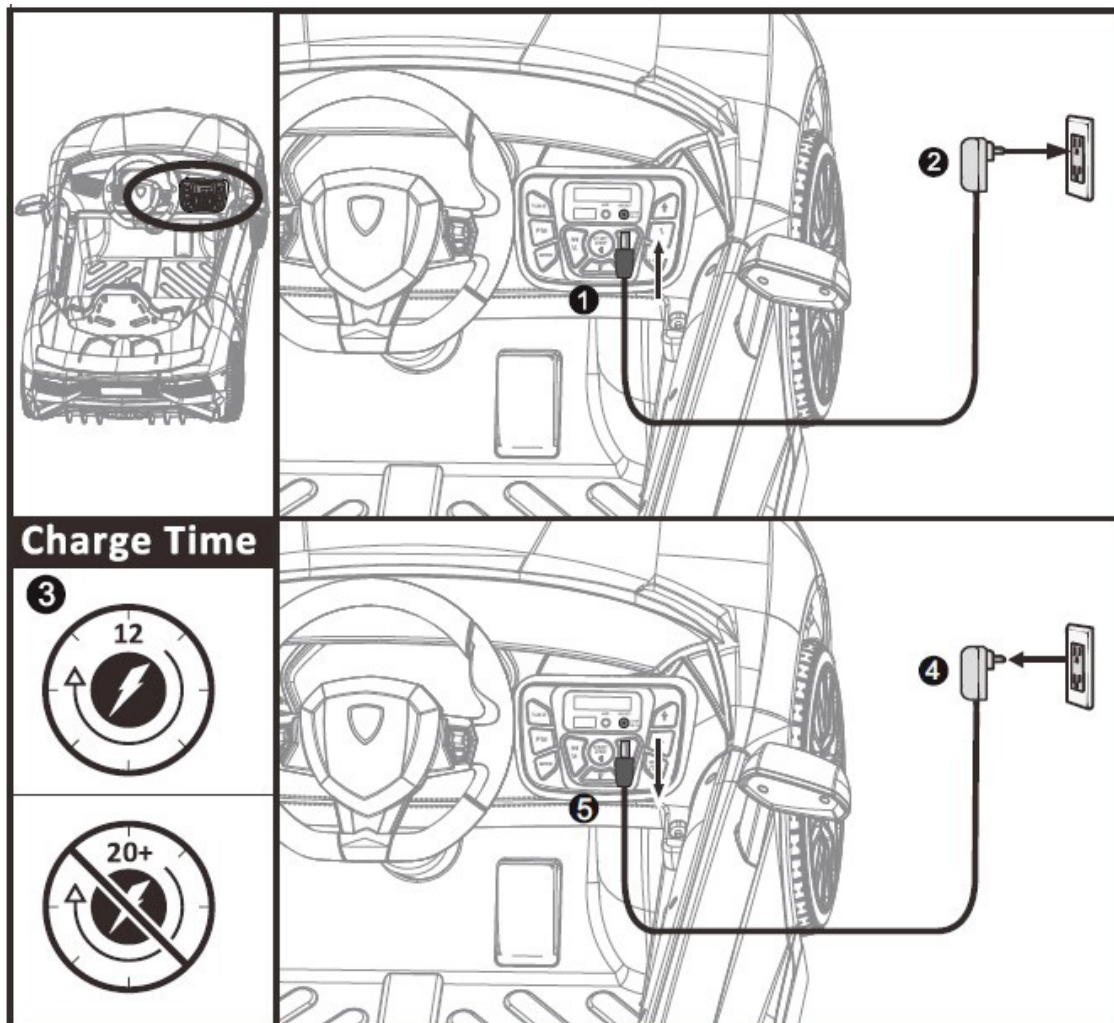
ADVARSEL

RISIKO FOR BRAND. Kortslut ikke sikringen. Dette kan medføre beskadigelse af det elektriske system.

8. Ladevejledning.

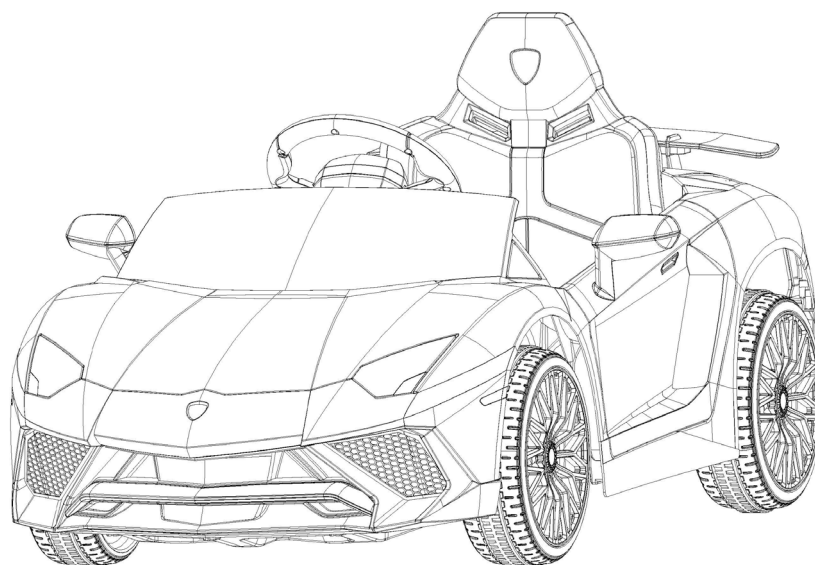
ADVARSEL

Sæt adapteren direkte i dit 230 volt vægstik, brug ikke forlængerledning



Når batteristanden / niveauet er lavt, skal der omgående oplades. Ladestikket er placeret på instrumentbrættet som vist på tegningen. **Bemærk:** Bilen kan ikke betjenes i ladetilstand. Opladning må kun foretages af en voksen.

Instruktionsmanual



Läs vänligen noggrant igenom denna instruktionsmanual innan användning.

Design och färger kan variera.

Denna instruktionsmanual innehåller säkerhetsinformation, monteringsvägledning, användnings- och underhållsinstruktioner. Elbilen ska monteras av en vuxen som har läst och förstått instruktionerna i denna manual. Håll förpackningen/plastpåsar borta från barn, dessa bör omgående bortskaffas. Spara manualen för eventuellt senare bruk.

Ålder från:	37 - 96 månader	Batteri:	12V 4.5Ah
Maxkapacitet:	30 kg	Mått på elbil:	115 x 65,6 x 45 cm
Hastighet:	2-4 km/h		
Material:	Metall och plast	Användnings-temperatur:	0 - 40°
Laddare:	Input: 100-240V AC	Laddningstid:	8 - 12 timmar
	Output: DC 12V500mA	Motor	DC 12V

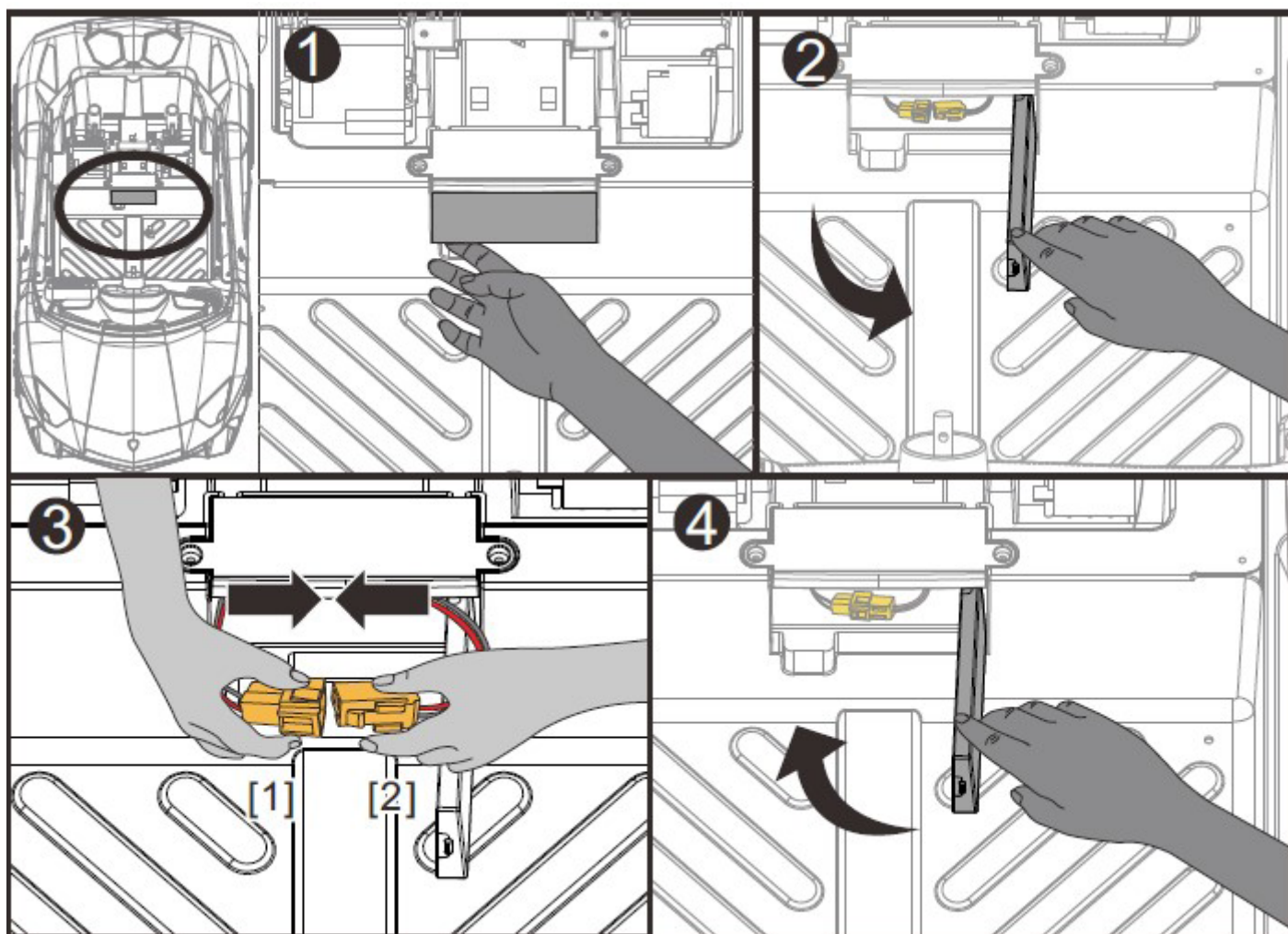
**Våra produkter följer följande standarder:
ASTM F963; GB6675,GB19865; EN71 och EN62115 standard.**

MONTERING

Nedanstående teckningar är gjorda för att göra det lättare att montera och förstå anslutning av batteri m.m. Var uppmärksam på att det kan vara skillnad på teckningen och den fysiska produkten.

! Läs vänligen noggrant igenom instruktionerna innan användning. Dessa kommer informera dig om korrekt användning och montering. Felaktig montering kan skada produkten och i värsta fall ert barn.

Spara manualen för eventuell senare användning.



1 & 2. Hitta och öppna luckan till laddningsuttaget, som visat på teckningen.

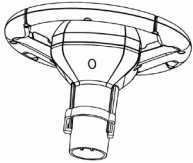

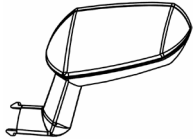
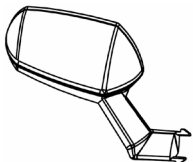
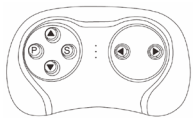

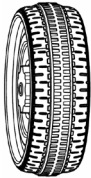


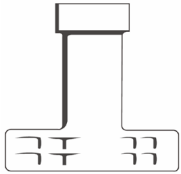
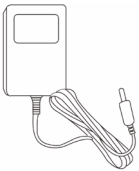

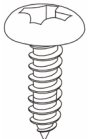
3. Sätt ihop de två terminalerna/uttagen [1] och [2].

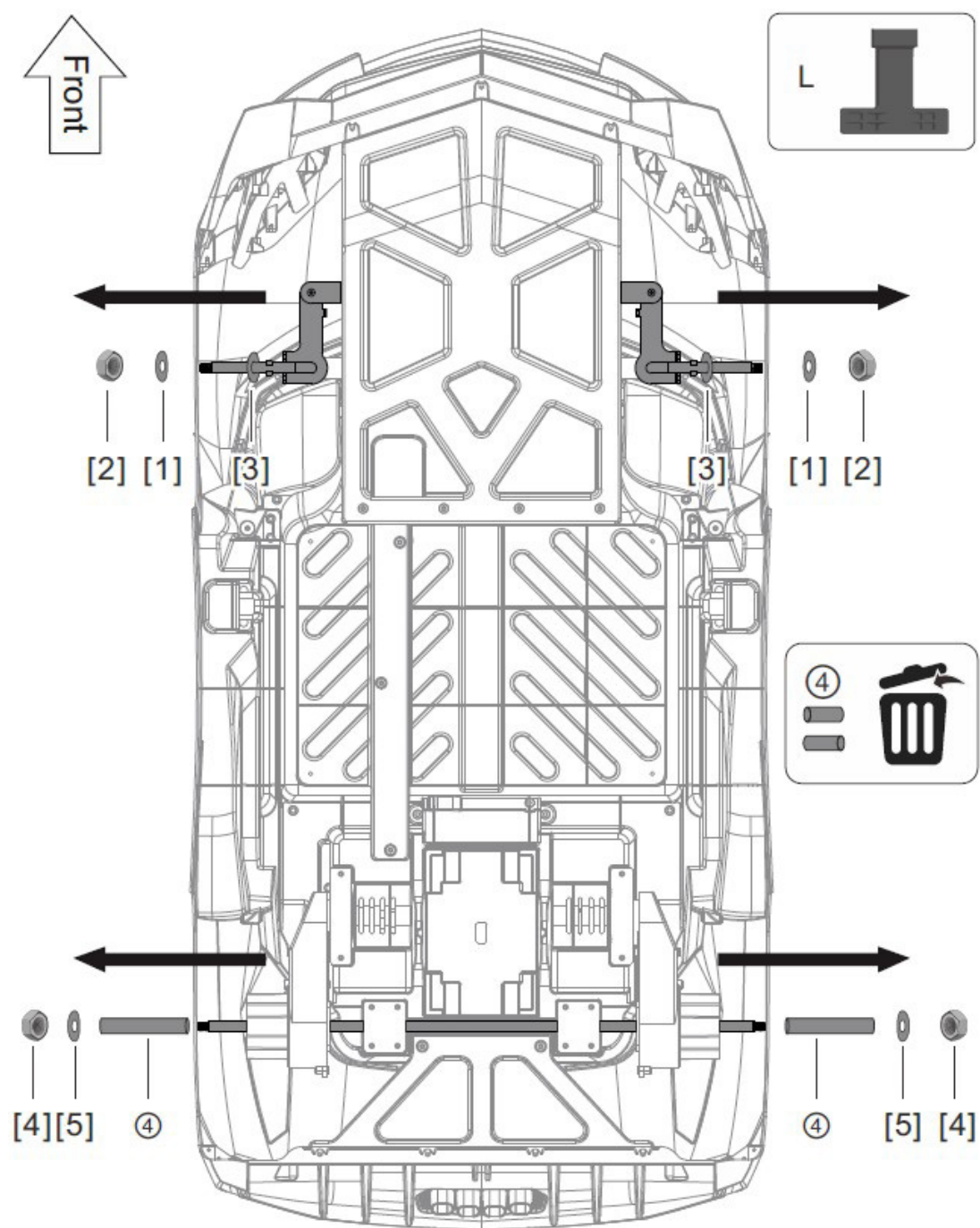
4. Stäng luckan igen.

Förberedelse:

Vänd bilen upp och ner. Placera bilen på en filt/mjukt underlag (inte direkt på betong eller cementgolv, vilket repar plastytan på bilen). Avlägsna därefter diverse inpackningsmaterial.

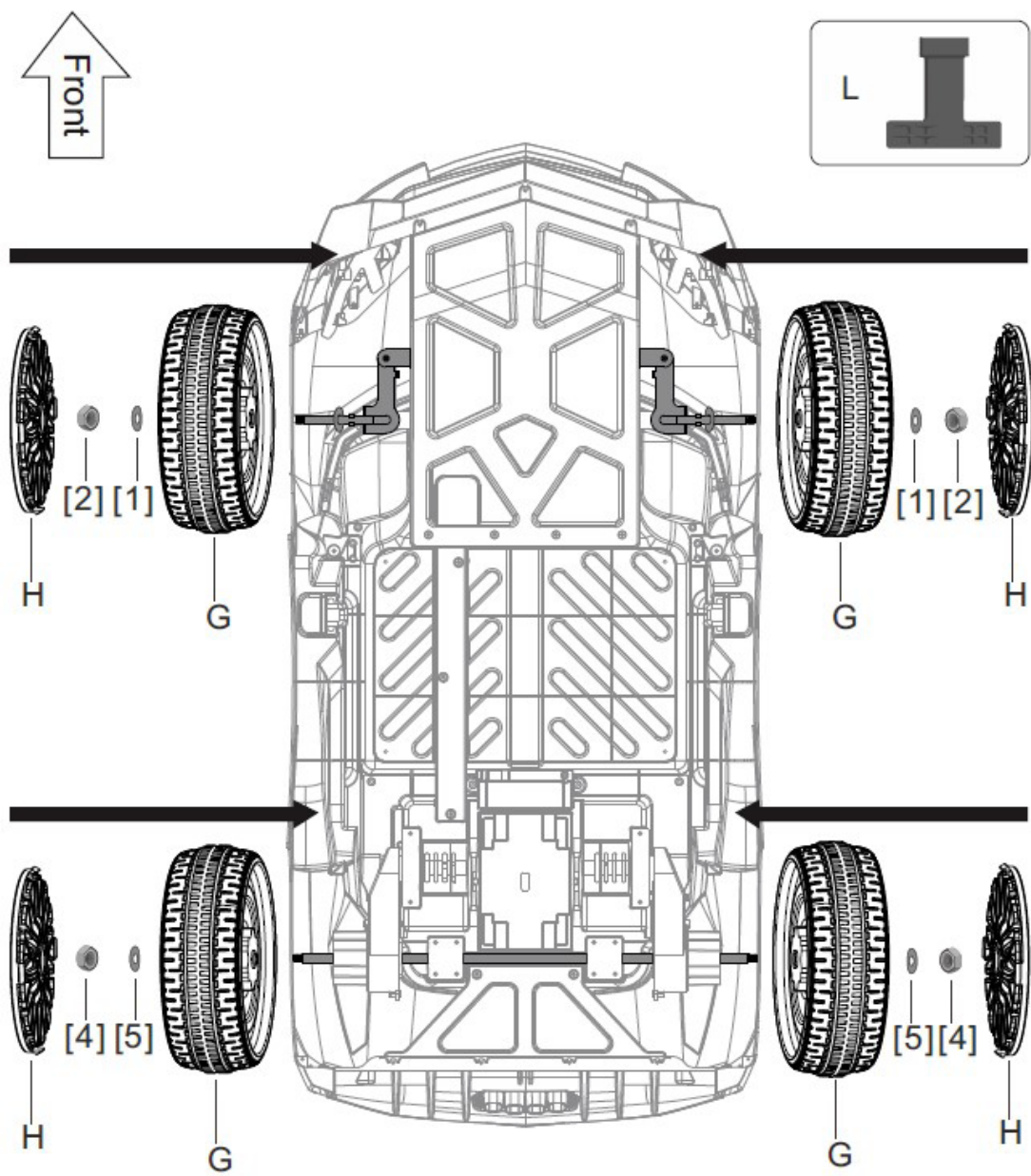
Dellista

NR.	ANTAL	BILD	NR:	ANTAL	BILD
1	1	 A (bilratt)	2	1	 B (Instruktionsbok)
3	1	 C (sidospegel L)	4	1	 D (sidospegel R)
5	1	 E (Fjärrkontroll)	6	1	 F (Spoiler)
7	4	 G (Hjul)	8	4	 H (Hjulkåpa)
9	1	 I (Säte)	10	2	 L (M8 fastnyckel)
11	1	 Q (Laddare)	12	1	 R (Vindruta)
13	2	 T (4*12 självskärande skruv)			



Steg 1-1: Montering av hjul

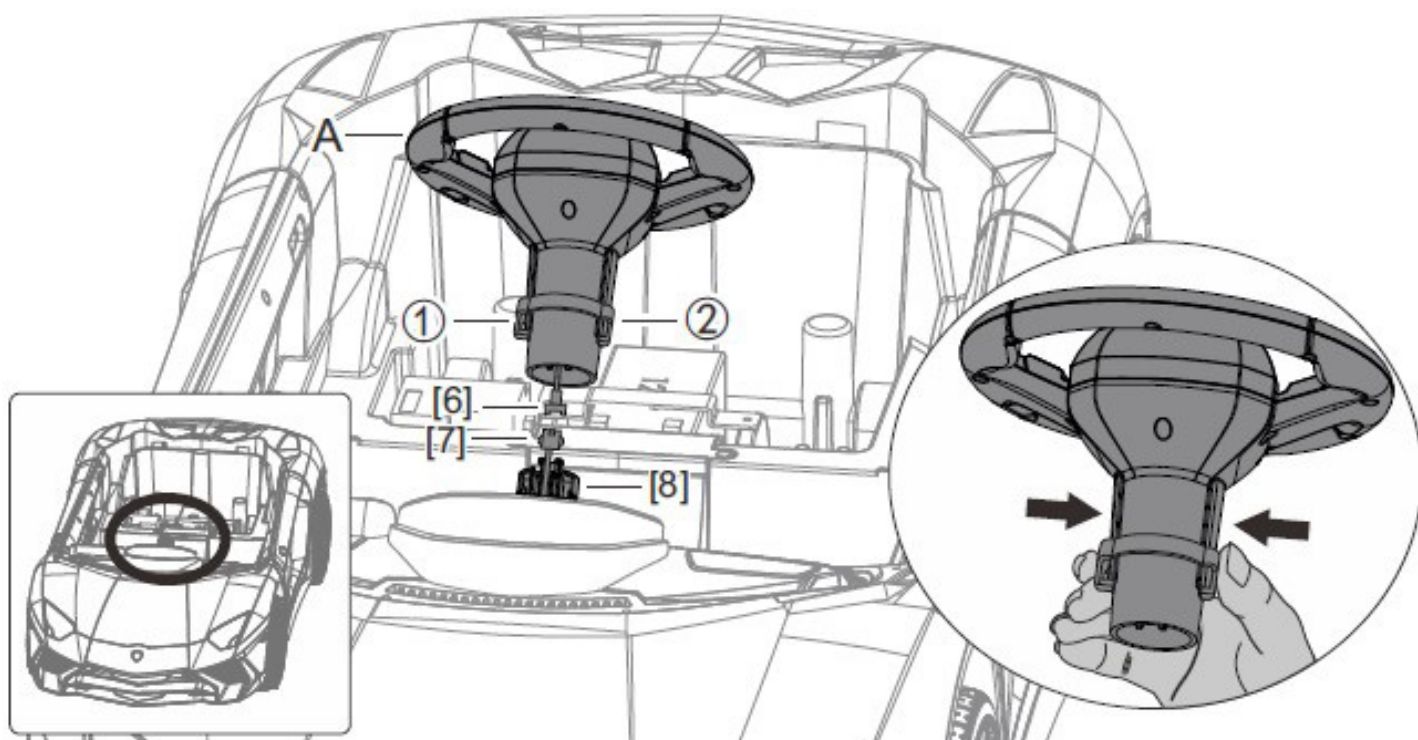
Avmontera muttrarna (2+4) och brickorna (1+5) från axlarna. Använd fastnyckeln L. Lämna brickorna (3) på frontaxeln.



Steg 1-2: Montering av hjul

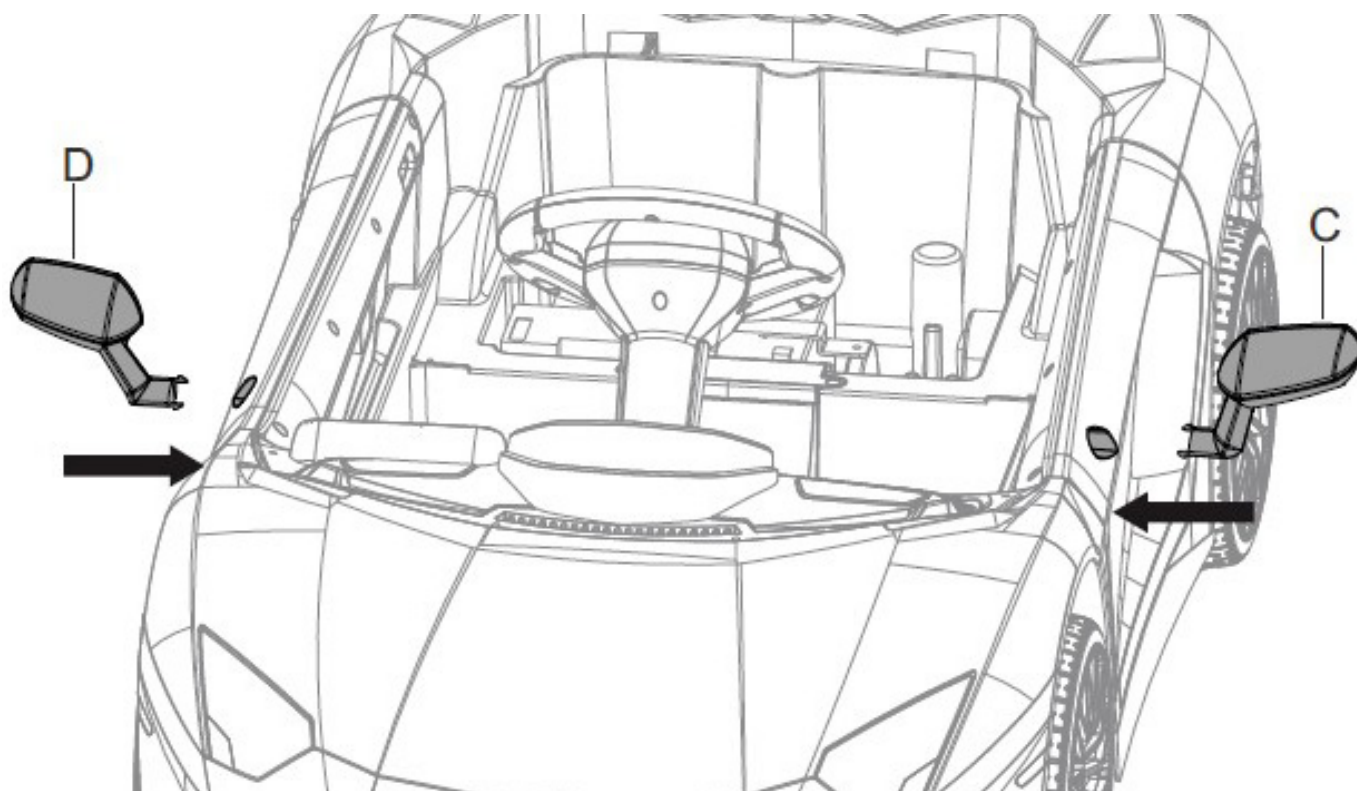
Skjut in hjulen (G) på frontaxeln och sätt på brickorna och muttrarna (som visat på teckningarna) för att hålla fast hjulen. Klicka hjulkåporna (H) utanpå hjulen. Upprepa proceduren för bakhjulen.

Monteringssteg



Steg 2: Montering av ratt

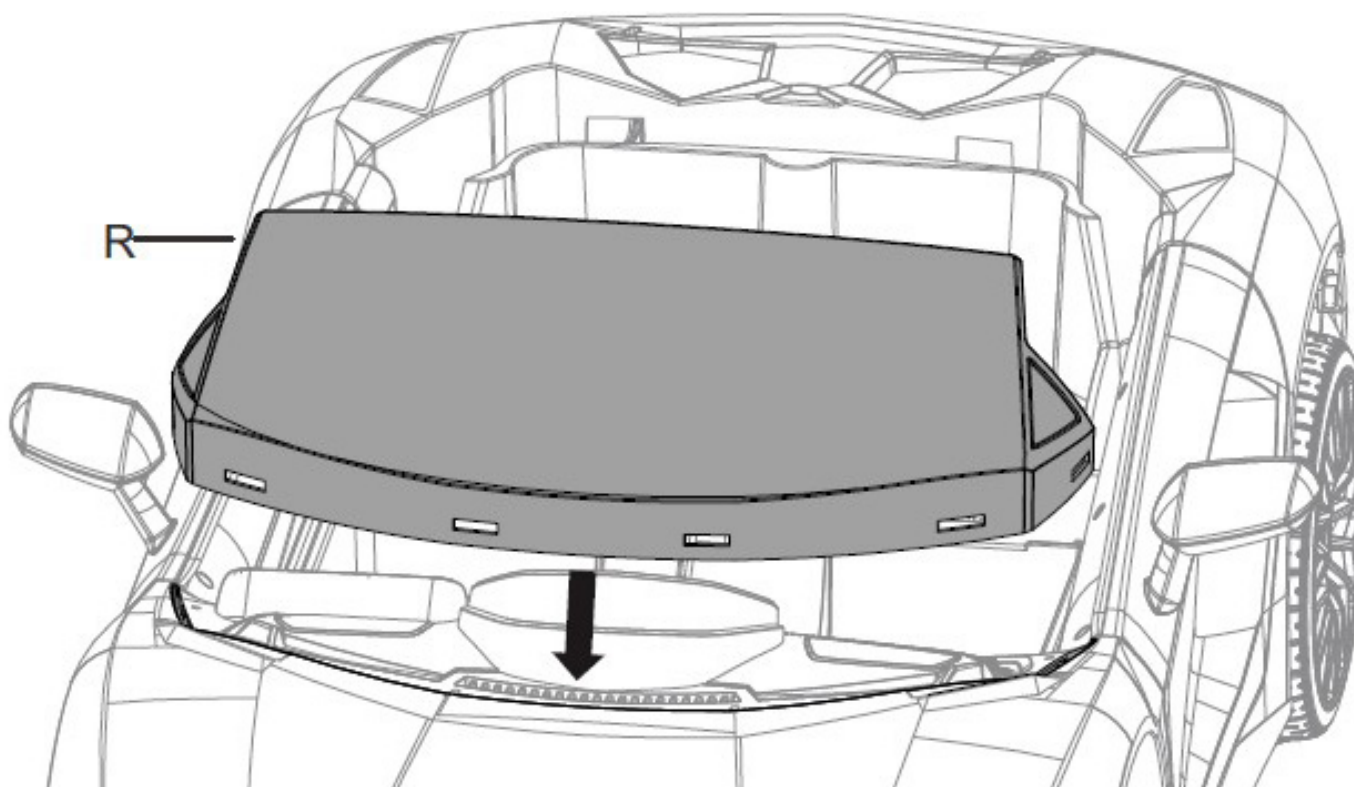
Först ansluts terminalerna 6 och 7. Sätt därefter på ratten (A) på rattstammen (8) som visat på teckningen. Vid avmontering av ratten, tryck in på tapparna på ratten och dra försiktigt bakåt.



Steg 3: Montering av sidospelglar

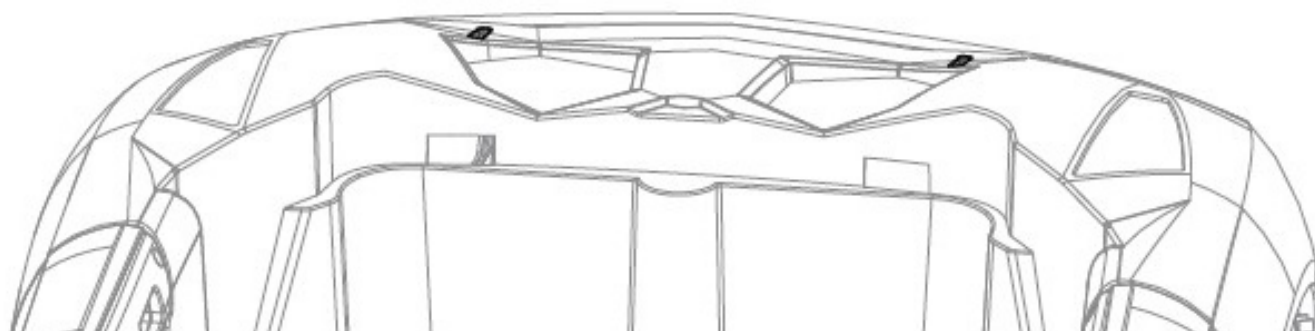
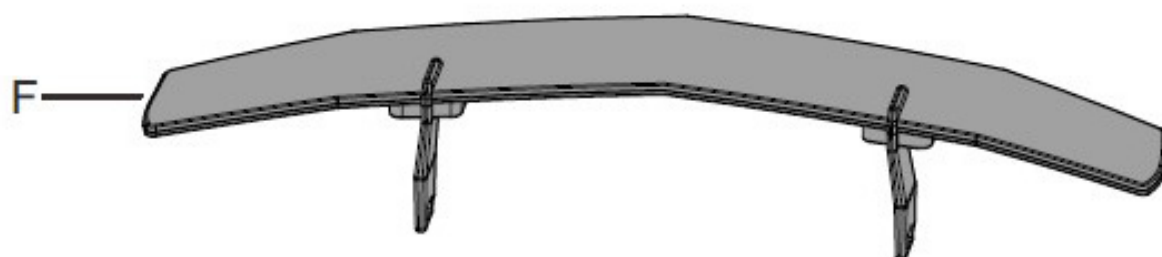
Tryck in sidospelglarna i dörrarna. Var uppmärksam på vänster (L) och höger (R).

Monteringssteg



Steg 4: Montering av vindruta

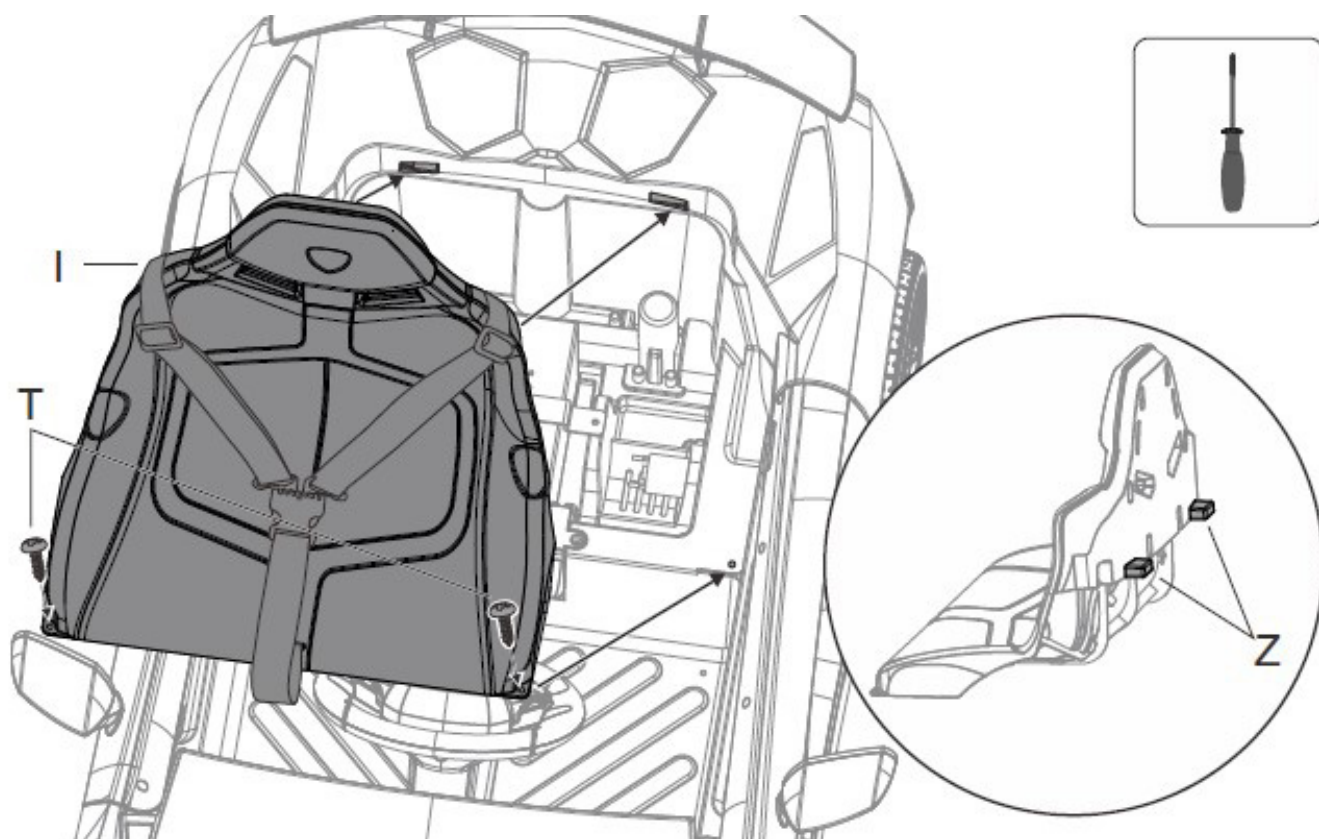
Sätt på vindrutan R i spåren som visat på teckningen.



Steg 5: Montering av spoiler

Sätt på spoilern F i de två spåren på karossen som visat på teckningen.

Monteringssteg

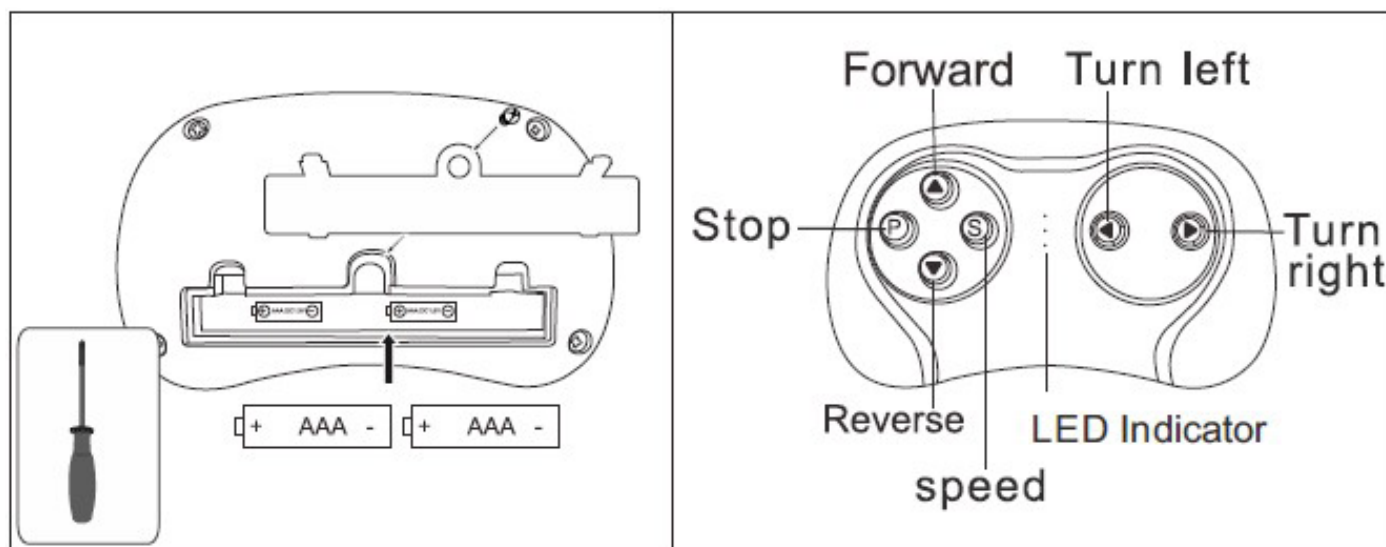


Steg 6: Montering av säte

Placera sätet (I) så att de två tapparna (z) passar in i de två spåren på karossen. Därefter fästs sätet med två självskärande skruvar (T).

Användning - hur kommer jag igång:

1. Sätt i/byt batterier i fjärrkontrollen:



Lossa skruven till batterikammaren. Sätt i två AAA 1,5V-batterier. Var uppmärksam på korrekt polaritet.

Sätt på batteriluckan igen och fäst den med skruven.

(Batteribyte: Följ ovanstående vägledning.)

2. Etablering av anslutning mellan bil och fjärrkontroll

OBS: Fjärrkontrollen kommer alltid ha första prioritet jämfört med manuell användning av bilen. Det vill säga att om fjärrkontrollen används fungerar inte de olika funktionerna på bilen.

1. Stäng av bilen på strömbrytaren.
 2. Avlägsna batteriluckan från fjärrkontrollen. Sätt i två AAA-batterier och de tre LED-lamporna på fjärrkontrollen kommer blinka.
 3. Sätt på bilen med strömbrytarknappen. När LED-lampan på fjärrkontrollen slutar blinka och två av lamporna lyser konstant, är det anslutning mellan de två enheterna.
 4. När anslutningen mellan de två enheterna är etablerad, ska detta inte göras igen förrän batterierna ska bytas.
 5. Fjärrkontrollen går i dvala när denna inte används i längre perioder och LED-lamporna slocknar. Tryck på en godtycklig knapp på fjärrkontrollen och den är redo att användas igen.
- Beskrivning av knappar: ▲: Framåt ▼: Bakåt ◀: Sväng till vänster ▶: Sväng till höger.
S: hastighet P: katastrofbroms. Tryck på knappen och driftsfunktionerna kommer vara ute ur drift. Tryck på knappen igen och funktionerna fungerar igen.

Användning av fjärrkontrollen.

Fjärrkontrollen har prioritet (När bilen styrs med hjälp av fjärrkontrollen kan man få bilen att köra framåt eller bakåt, köra med hög eller låg hastighet, styra bilen och andra funktioner. Chauffören kan inte kontrollera bilen.). Tryck på ▲ framåtknappen och bilen kör framåt.

Tryck på ▼ bakåtknappen och bilen kör baklänges. Tryck på P-knappen för att bromsa bilen så snabbt som möjligt. Tryck på P-knappen igen för att utlösa bromsen. Tryck på S-knappen (hastighet): 1 lampa = låg hastighet, 2 lampor = mellanhastighet, 3 lampor = maxhastighet.

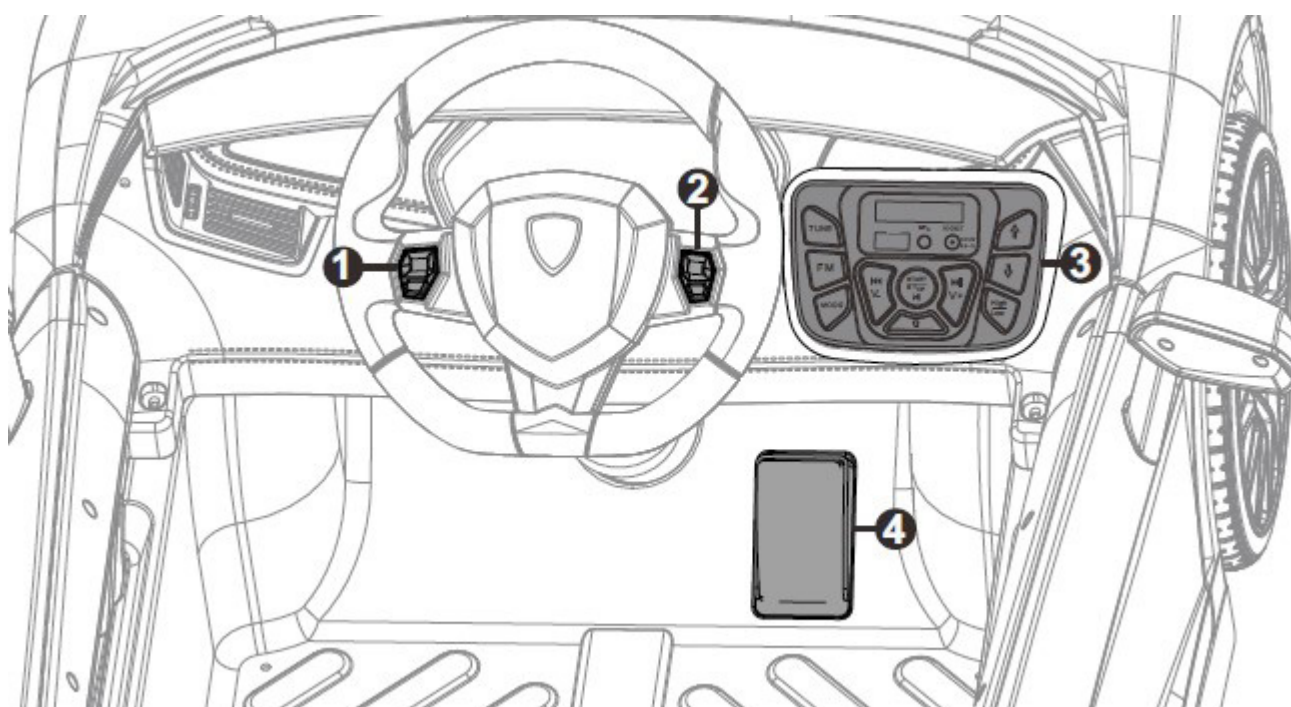
Pil höger och vänster anger höger eller vänster sväng.



VARNING

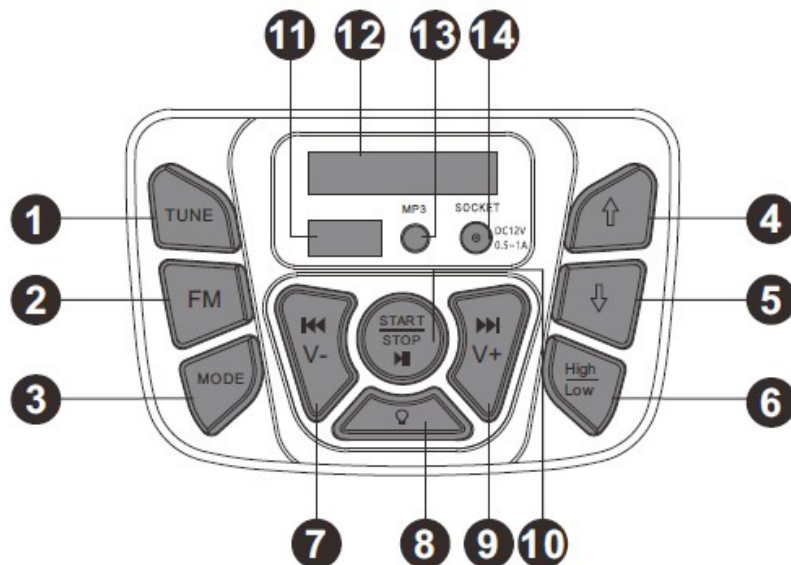
1. Batterier ska sättas i med korrekt polaritet.
2. Ej uppladdningsbara batterier kan inte laddas.
3. Använda batterier ska bortskaffas korrekt. Håll barn borta från batterier.
4. Blanda inte gamla och nya batterier eller olika typer/märken av batterier.
5. Endast vuxna som har läst och förstått säkerhetsvarningarna får ladda batterier.

1. Instruktioner till knapparna i bilen.



1. Motorljud/nästa låt-knapp: När varken USB eller MP3 är ansluten kommer ett kort tryck på knappen resultera i ett motorljud. När USB och MP3 är anslutet eller på FM-läge, kommer ett kort tryck resultera i byte till nästa låt. Ett längre tryck höjer volymen.
2. Tuta: Kort tryck och tuta, längre tryck och volymen sänks.
3. Kontrollpanel för musik m.m.
4. Gaspedal: Trampa på gaspedalen och bilen kör framåt. Lyft foten från gaspedalen och bilen stannar.

4-1. Instruktioner till kontrollpanel



1. FM-radiosökning: Tryck på knappen för att söka efter en radiostation.
2. FM-station: Tryck på knappen för att lyssna på FM-radio.
3. Mode-knapp: Tryck på knappen för att växla mellan musik-, USB- och AUX-läge.
4. Framlänges: Tryck på knappen och trampa på gaspedalen så kör bilen framåt. Släpp gaspedalen och bilen stannar.
5. Baklänges: Tryck på knappen och trampa på gaspedalen så kör bilen bakåt. Släpp gaspedalen och bilen stannar.
6. High/Low-knapp: Standard: när man sätter på bilen och ska framåt börjar den på hög hastighet. Tryck på High/low-knappen för att ändra till låg hastighet. Baklänges har bara en hastighet. Knappen är då ute ur drift.
7. ◀◀/V- Föregående låt/sänk volym: kort tryck för att spela upp föregående låt. Långt tryck för att sänka volymen.
8. Ljusknapp: Tänd/släck framlyktor.
9. ▶▶/V+ Nästa låt/höj volym: Kort tryck för att spela upp nästa nummer. Långt tryck för att höja volymen.
10. Start/Stop/ ▶| : Långt tryck för att sätta på eller stänga av bilen. Om musik eller radio spelas, kort tryck för att stoppa, kort tryck igen för att sätta på musiken.
11. USB-ingång: Sätt i USB för att spela upp önskade sånger. Endast MP3 stöds.
12. Volt-display: Värdet på displayen hjälper till att avgöra om batteriet ska laddas.
13. AUX-uttag: Anslut din önskade musikspelare, såsom mobiltelefon m.m.
14. Laddningsuttag: Ladda bilen med medföljande laddare.

4-2. Användning av kontrollpanelen

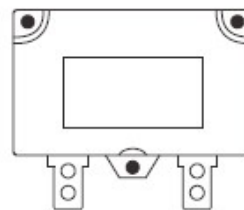
1. START/STOP/▶||: Tryck på START/STOP/▶|| knappen (10) i 2-3 sekunder, detta startar bilen, displayen lyser och motorljudet låter. Då är man redo att använda bilen. Tryck på START/STOP/▶|| knappen i 2-3 sekunder för att stänga av bilen.
2. FM-radiofunktion: Tryck på FM-knappen (2) för att lyssna på radio. Tryck på (TUNE)-knappen (1) för att söka efter FM-kanaler. Sökningen kan ta lite tid, där radion automatiskt söker och sparar hittade stationer. När sökningen är avslutad kommer bilen/radion automatiskt spela upp den första sparade stationen. Ett tryck på (▶|| /V+ knappen) (9) för att byta till nästa station. Ett tryck på (||◀◀/V- knappen) (7) och föregående station spelas upp. Långt tryck på (▶|| /V+ knappen) höjer volymen. Långt tryck på (||◀◀/V- knappen) sänker volymen. Ett kort tryck på (START/STOP/▶|| knappen) stoppar uppspelning, tryck igen och uppspelning startar igen.
3. USB-port: Sätt i USB-sladden i uttaget (11) och musiken spelas upp automatiskt. Ett kort tryck på (▶|| /V+ knappen) (9) spelar upp nästa låt. Kort tryck på (7) (||◀◀/V- knappen) spelar upp föregående låt, långt tryck och volymen sänks (▶|| /V+ knappen) (9) långt tryck höjer volymen. Kort tryck på (10) (START/STOP/▶||, (knappen) stänger av musiken, tryck igen och musiken börjar igen.
4. AUX-/MP3-port: Sätt i sladden i uttaget (13) och anslut din mobiltelefon, MP3- eller MP4-spelare.
Spela därefter din musik, ljuden kommer ut från bilens högtalare. Långt tryck på (9) (▶|| /V+ knappen) höjer volymen, långt tryck på (7) (||◀◀/V- knappen) sänker volymen.
START/STOP/▶|| knappen (10) kort tryck stänger av musiken, tryck igen och musiken startar igen.
Musikordningen ändras inte vid pauser. Vid uppspelning via AUX kan man bara byta musiklåtar från sin mobila enhet.
5. Byt musik från radio, USB eller AUX: på knappen (3) MODE.
6. Framåt/bakåt, hög/låg hastighetsfunktionsknappar. När bilen är påslagen kommer hastigheten som standard på framåtdrift stå på hög. Tryck på knapp (6) för att ändra till låg hastighet, tryck igen för att ändra till hög hastighet. Tryck på knappen 5 (↓) och bilen är redo att backa. I denna inställning finns bara en hastighet (låg), knappen (high/low) är ute ur funktion. Tryck på knappen 4 (↑) för att ändra till framåtdrift.
7. Ljusknapp (8): När bilen är påslagen kommer det som standard vara ljus på bilen. Knappen (🔆) kan tända och släcka ljuset.

5. Instruktioner vid manuell körning:

Barnet sätter sig i sätet och spänner säkerhetsbältet. Tryck på Startknappen i (2-3) sekunder, displayen kommer lysa och startljud hörs (2-5 sekunder). Tryck på framåtknappen (4) och trampa på gaspedalen för att köra bilen framåt. Lyft foten från gaspedalen och bilen stannar. Tryck på bakåtdriftknappen (5) och tryck på gaspedalen för att backa bilen. Släpp pedalen och bilen stannar. Tryck på Start-/Stoppknappen i 2-3 sekunder och motorn stannar.

6. Instruktioner till överbelastningssäkring.

Om det elektriska systemet i bilen blir överbelastat kommer överbelastningssäkringen att stänga av strömmen. Efter 5-10 sekunder startar strömmen automatiskt igen



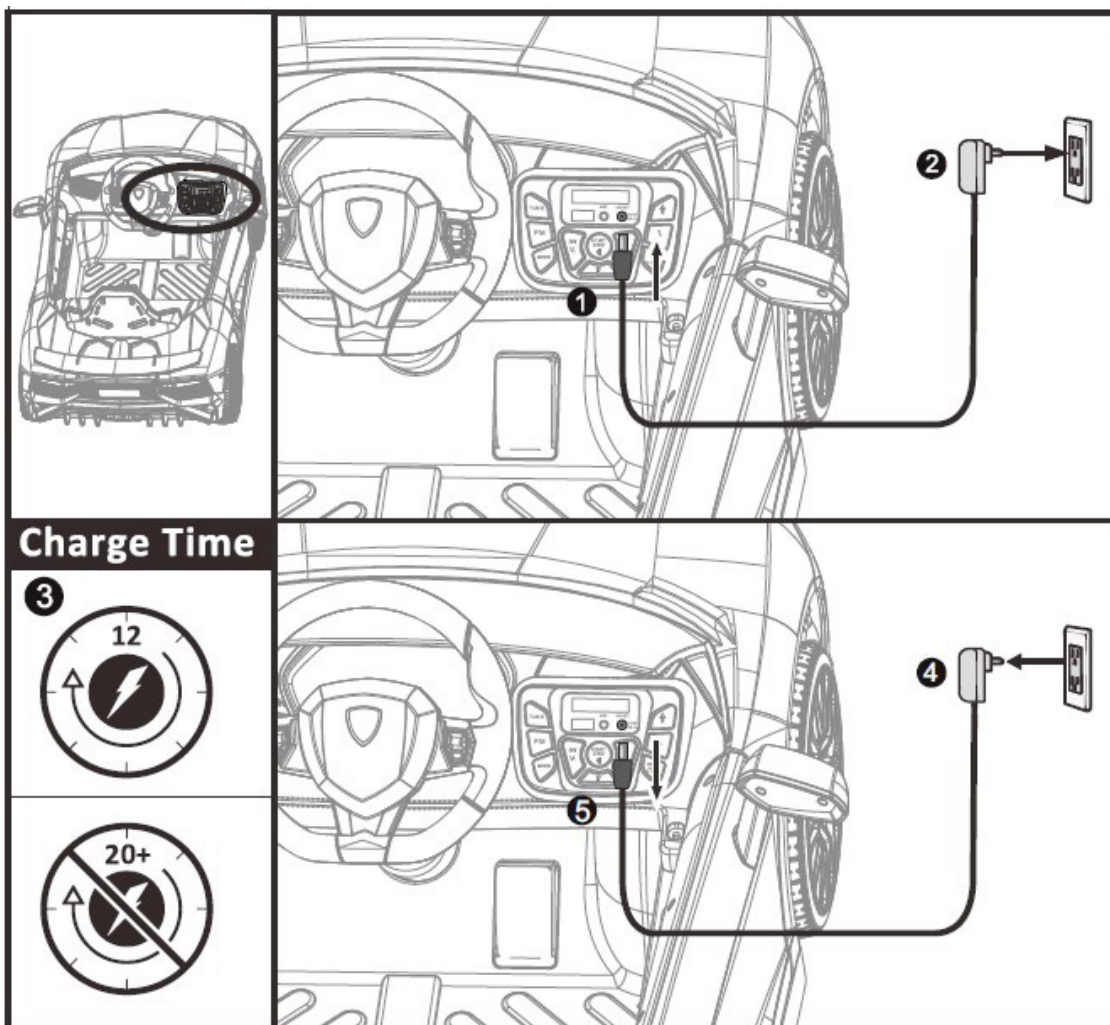
VARNING

Risk för brand. Kortslut inte säkringen. Detta kan medföra skada på det elektriska systemet.

7. Laddningsinstruktioner.

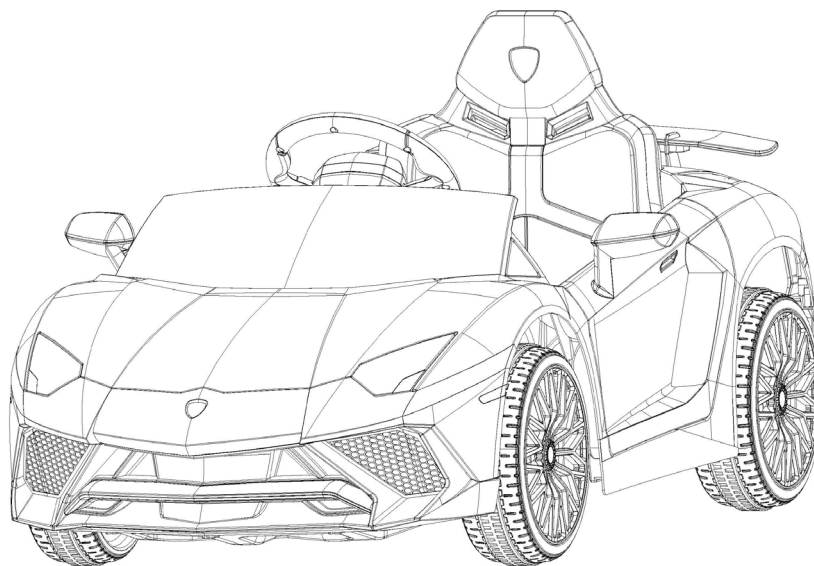
VARNING

Sätt adaptern direkt i ditt 230 volt-vägguttag, använd inte förlängningssladd.



När batterinivån är låg ska det omgående laddas. Laddningsuttaget är placerat på instrumentbrädan som visat på teckningen. **OBS:** Bilen kan inte användas i laddningstillstånd. Laddning får endast göras av en vuxen.

Kokoamis- ja käyttöohjeet



Lue nämä ohjeet huolellisesti ennen tuotteen käyttöä.

Mallit ja värit voivat vaihdella tuotantoerästä toiseen.

Tämä käyttöohje sisältää turvallisuustietoja, asennusohjeita, käyttö- ja huolto -ohjeita. Sähköauton saa koota vain aikuinen, joka on lukenut ja ymmärtänyt tämän oppaan ohjeet. Pidä pakkaus ja muovipussit poissa lasten ulottuvilta, ne on hävitettävä välittömästi. Säilytä käyttöohje myöhempää tarvetta varten.

Kuljettajan ikä:	37 - 96 kuukautta	Akku:	12V 4.5Ah
Kuljettajan enimmäispaino:	30 kg	Sähköauton mitat:	115 x 65,6 x 45 cm
Nopeus:	2-4 km/h		
Materiaali:	Metalli ja muovi	Käyttölämpötila:	0 - 40°
Laturi:	Tulo: 100-240V AC	Latausaika:	8 - 12 tuntia
	Lähtö: DC 12V500mA	Moottori	DC 12V

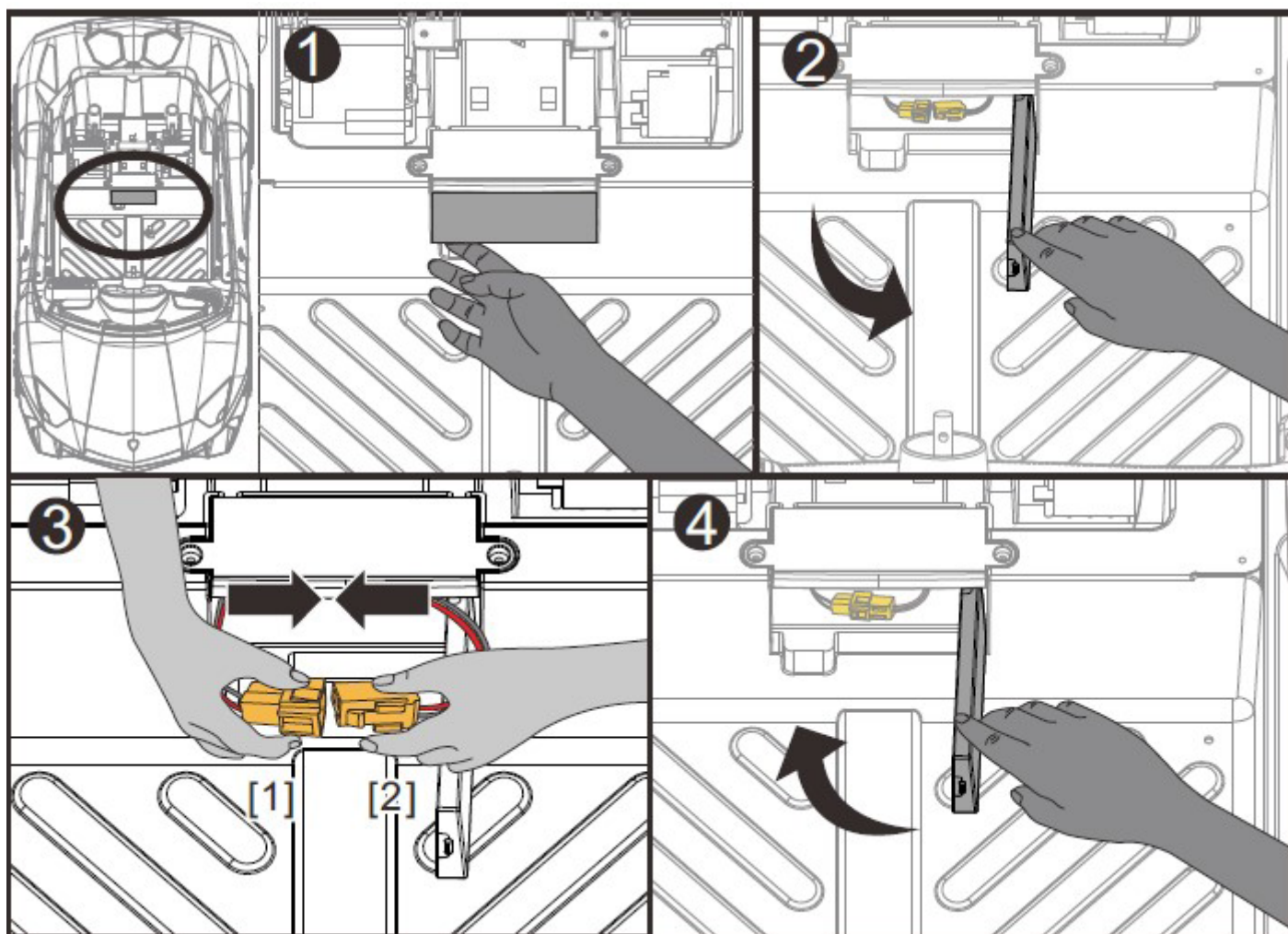
Tuote täyttää standardit:

ASTM F963; GB6675,GB19865; EN71 ja EN62115

KOKOONPANO

Ohjeen piirroksia on laadittu helpottamaan tuotteen kokoamista. Huomaa, että piirroksen ja fyysisen tuotteen välillä voi olla eroja.

! Lue ohjeet huolellisesti ennen käyttöä. Ohjeissa kerrotaan oikeasta kokoonpanotavasta ja tuotteen oikeasta käytöstä. Virheellinen asennus voi vahingoittaa tuotetta ja pahimmassa tapauksessa olla vaaraksi käyttäjille. Säilytä käyttöohje myöhempää tarvetta varten.



1 & 2: Etsi ja avaa sähköliittimen luukku, kuten kuvassa.

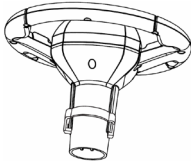

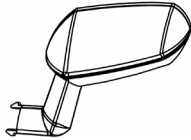
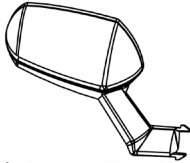
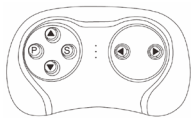

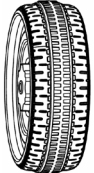


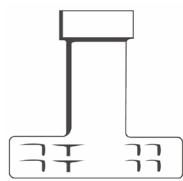
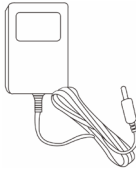

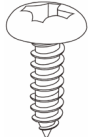
3. Yhdistä liittimet [1] ja [2].

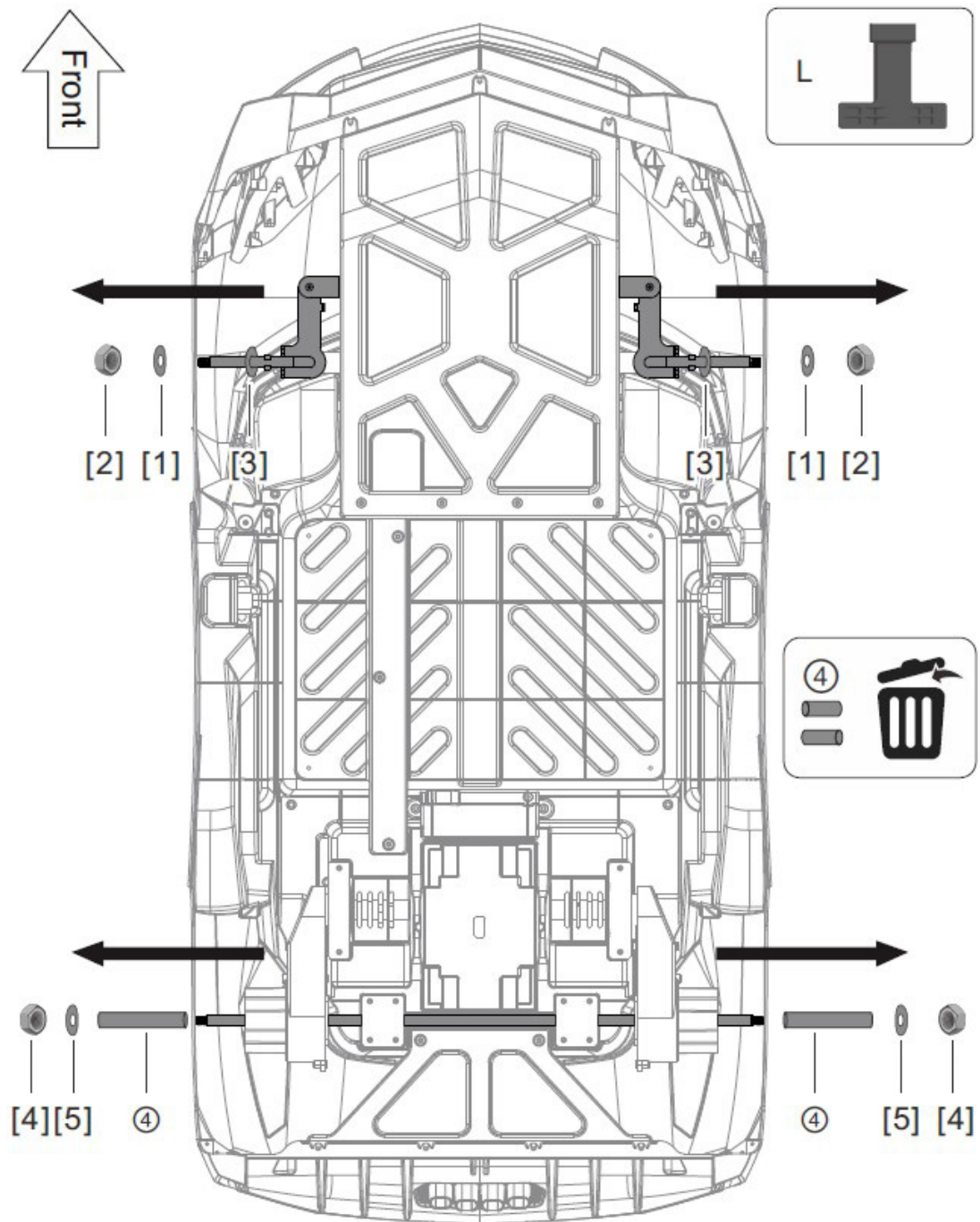
4. Sulje kansi.

Kokoonpanon valmistelu:

Käännä auto seuraavaksi ylösalaisin. Aseta auto peitolle tai pehmeälle matolle. (ei suoraan betoni- tai sementtilattialle, joka naarmuttaa auton muovipintaa) ja poista sitten erilaiset pakkausmateriaalit.

Osaluettelo

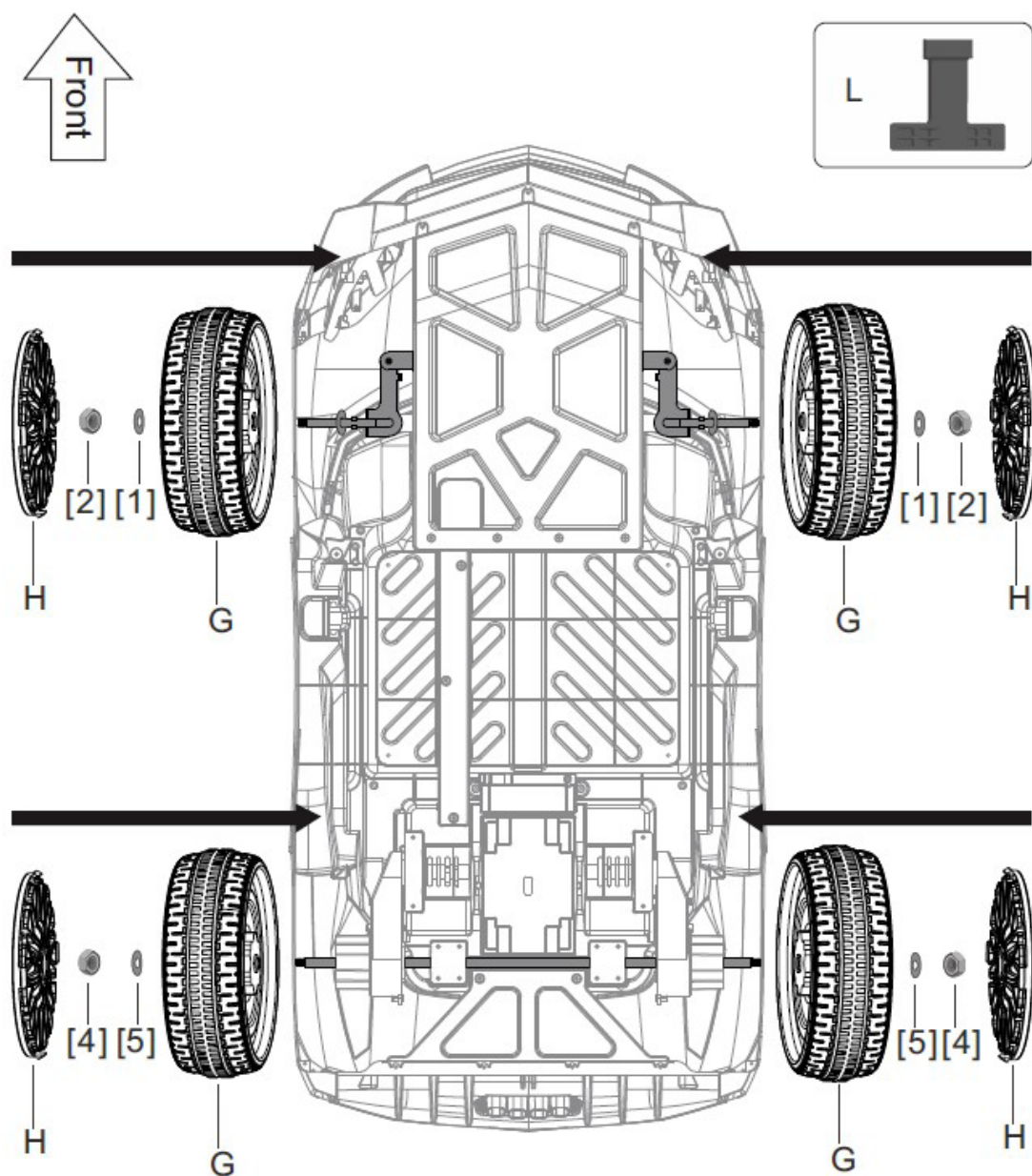
Nro.	MÄÄRÄ	KUVA	Nro.	MÄÄRÄ	KUVA
1	1	 A (ratti)	2	1	 B (ohjekirja)
3	1	 C (sivupeili, vasen)	4	1	 D (sivupeili, oikea)
5	1	 E (kaukosäädin)	6	1	 F (takasiipi)
7	4	 G (pyörät)	8	4	 H (pyörän kapseli)
9	1	 I (istuin)	10	2	 L (M8 -avain)
11	1	 Q (laturi)	12	1	 R (tuulilasi)
13	2	 T (4 * 12 porautuva ruuvi)			



Vaihe1-1: Pyörien asennus

Irrota mutterit (2 + 4) ja aluslevyt (1 + 5) akseleista. Käytä m8 -avainta L. Jätä aluslevyt (3) etuakseliin.

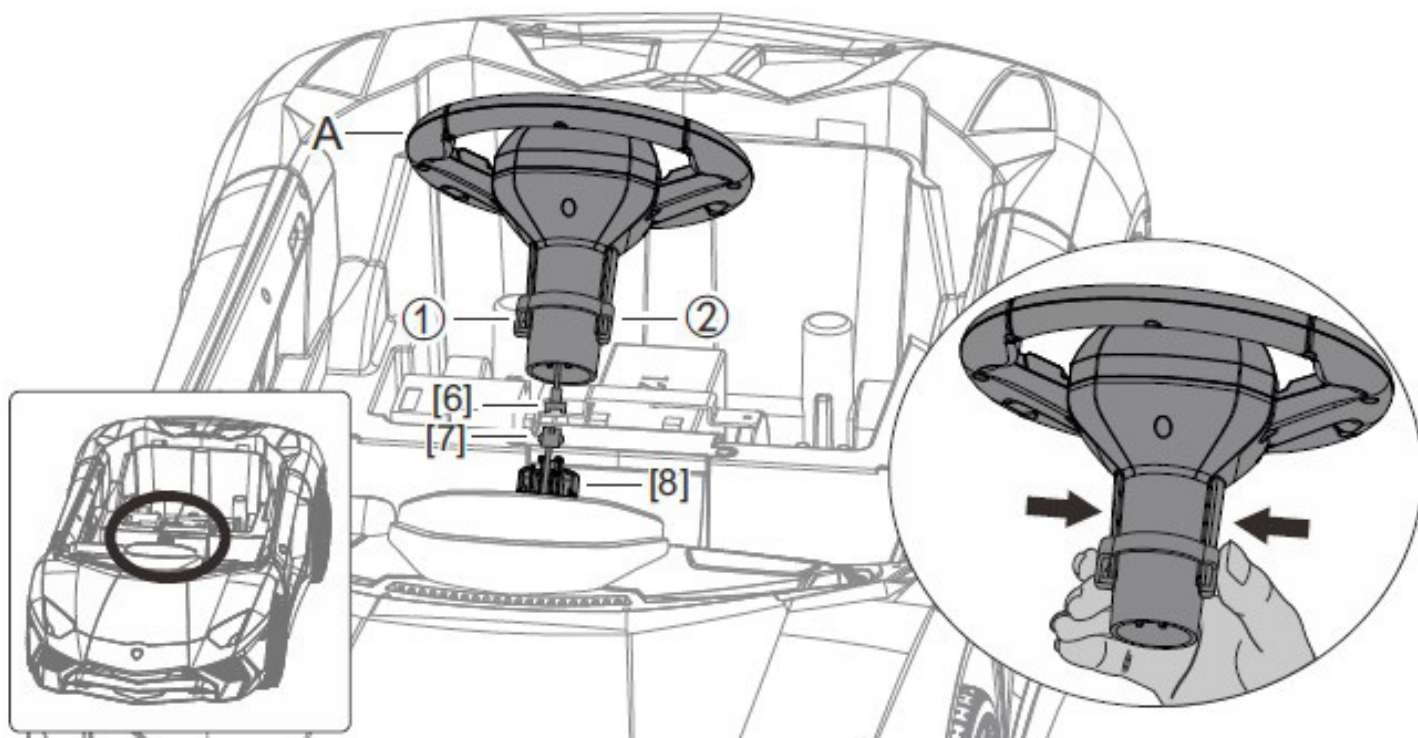
Asennusvaiheet



Vaihe 1-2: Pyörien asennus

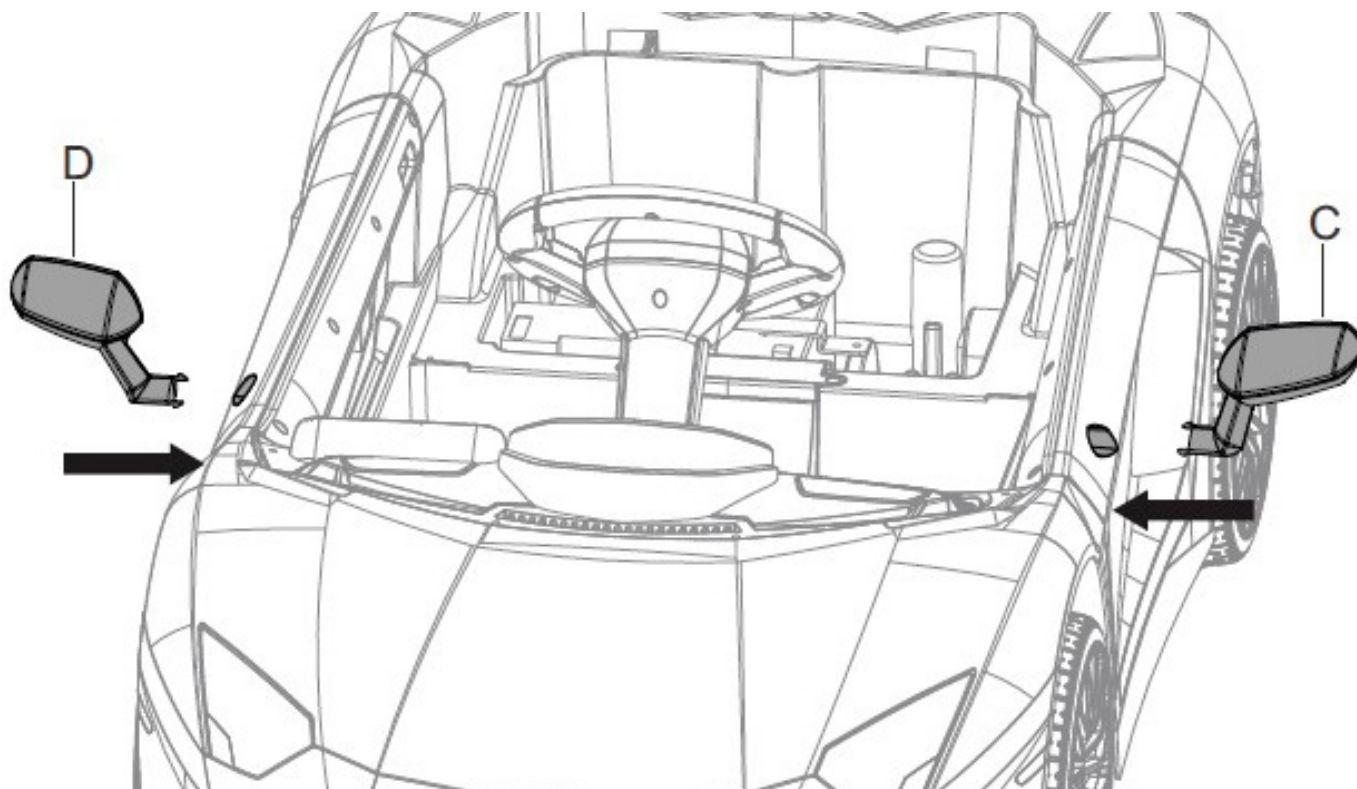
Liu'uta pyörät (G) etuakselille ja kiristä paikoilleen aluslevyt ja mutterit (kuten kuvassa) pyörien kiinnittämiseksi. Napsauta pyörien kapselit (H) pyörien ulkopintaan. Toista toimenpide takapyörille.

Asennusvaiheet



Vaihe 2: Ratin asennus

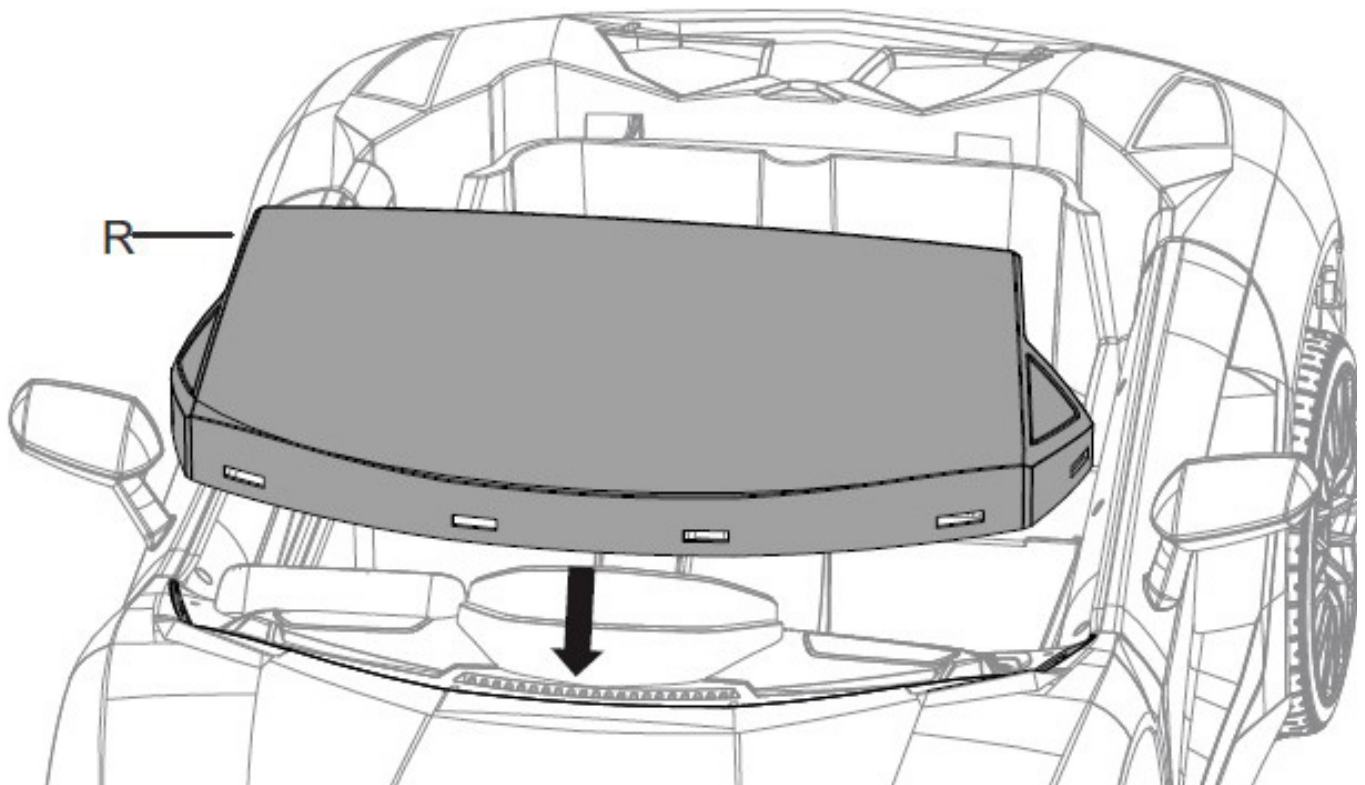
Kiinnitä ensin liittimet 6 ja 7. Kiinnitä sitten ratti (A) ohjauspylvääseen (8) kuvan osoittamalla tavalla. Kun irrotat rattia, työnnä ohjauspyörän tapit 1 ja 2 sisään ja vedä varovasti taaksepäin.



Vaihe 3: Sivupeilien asennus

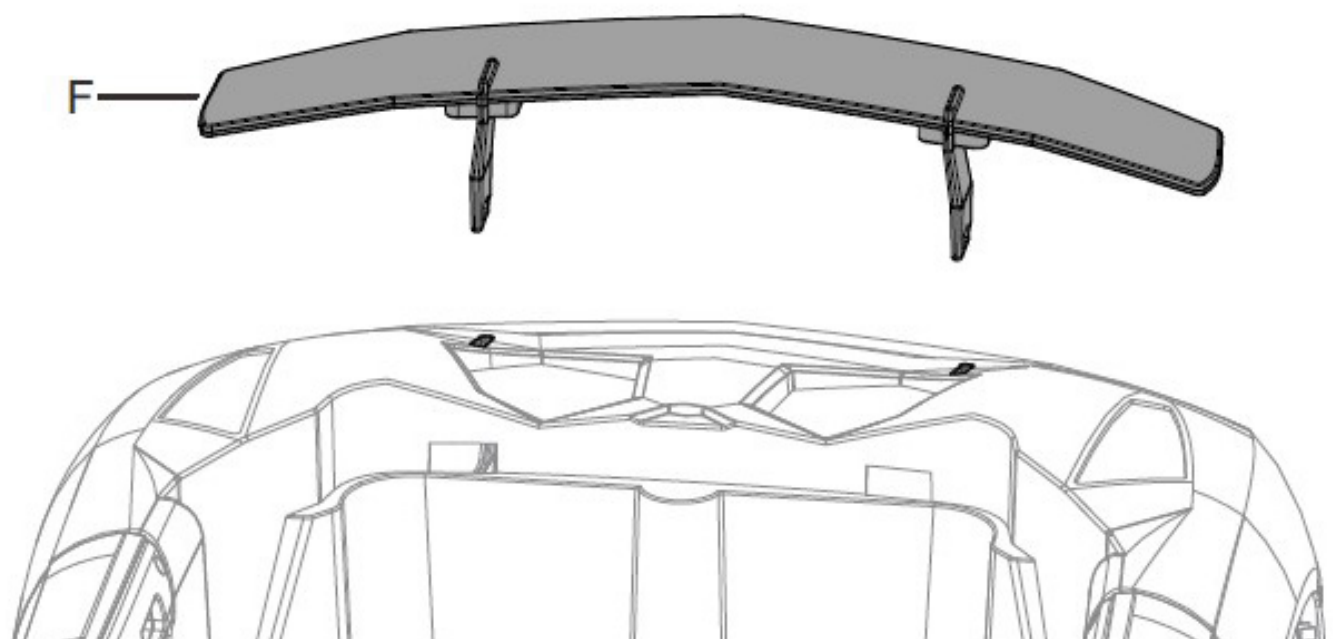
Työnnä sivupeilit oviin kiinnittäen huomiota vasempaan (osa C) ja oikeaan (osa D) komponenttiin.

Asennusvaiheet



Vaihe 4: Tuulilasin asennus

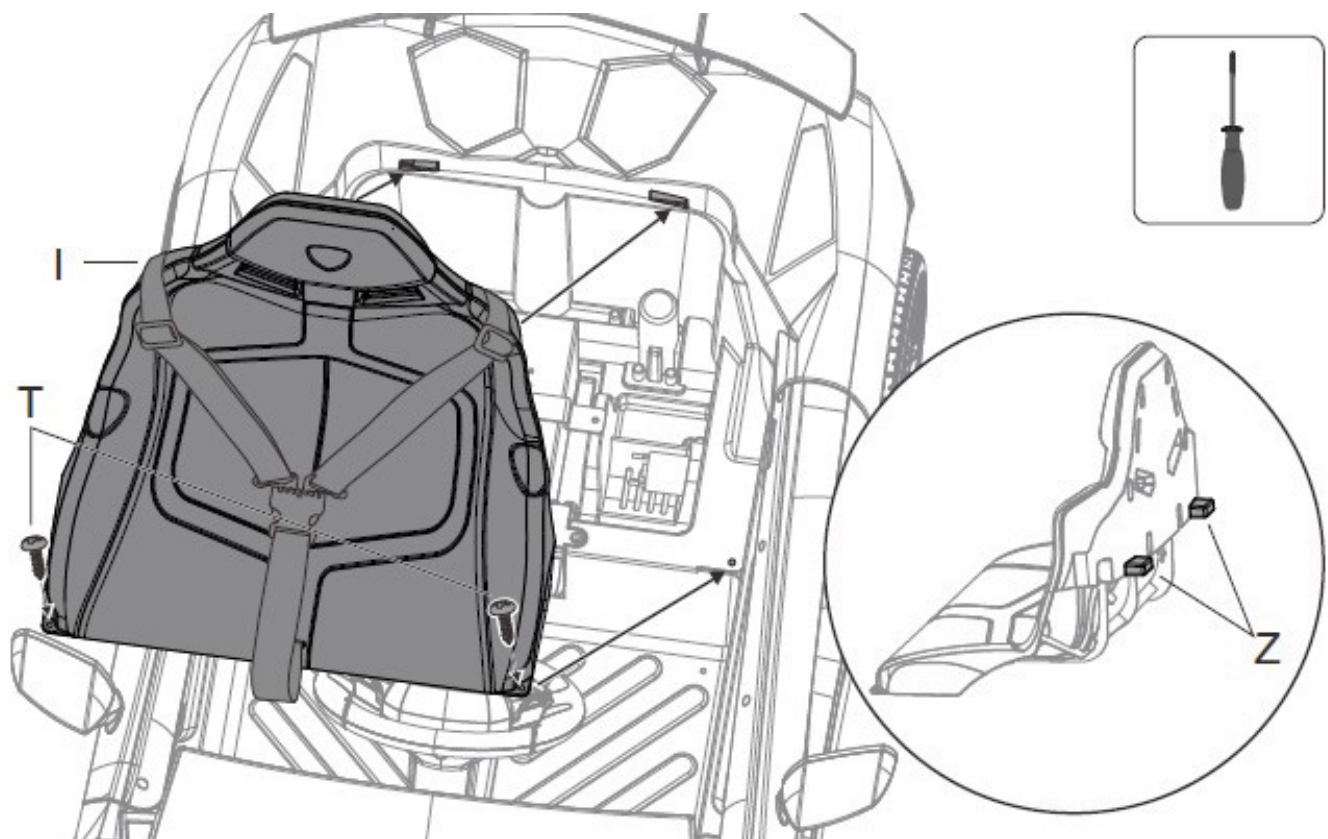
Kiinnitä tuulilasi R korin aukkoon kuvan osoittamalla tavalla.



Vaihe 5: Takasiiven asennus

Kiinnitä takasiipi (osa F) rungon kahteen reikään kuvan osoittamalla tavalla.

Asennusvaiheet

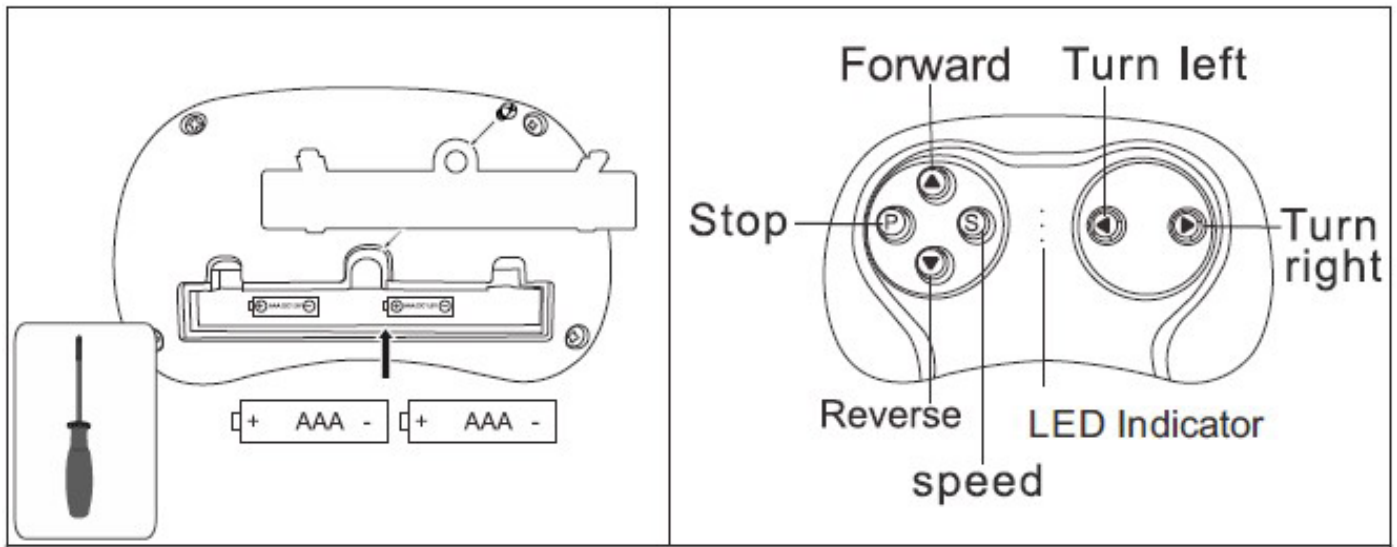


Vaihe 6: Istuimen asennus

Aseta istuin (I) niin, että kaksi kiinnikettä (z) osuvat kohdilleen runkoon. Kiinnitä istuin sitten kahdella porautuvalla ruuvilla (T) istuimen etukulmista.

Käyttöönotto:

1. Paristojen asentaminen / vaihtaminen kaukosäätimeen:



Löysää paristokotelon ruuvia. Aseta paikoilleen kaksi 1,5 V AAA -paristoa. Kiinnitä huomiota oikeaan napaisuuteen.

Aseta paristotilan kansi takaisin paikalleen ja kiinnitä se ruuvilla.

(Pariston vaihto: Noudata yllä olevia ohjeita.)

2. Yhteyden muodostaminen auton ja kaukosäätimen välille

HUOMIO: Kaukosäätimellä on aina ensisijainen ohjausoikeus suhteessa auton manuaaliseen käyttöön. Toisin sanoen, jos kaukosäädintä käytetään, vastaavat yksittäiset toiminnot eivät toimi autossa.

1. Kytke auton virta pois päältä.
2. Irrota paristokotelon kansi kaukosäätimestä. Aseta paikoilleen 2 kpl. AAA -paristoja.
- 3 LED -valoa alkaa vilkkua kaukosäätimessä
3. Kytke auton virta päälle. Kun kaukosäätimen LED -valot lakkaavat vilkkumasta ja kaksi valoa palaa jatkuvasti, auton ja ohjaimen välille on luotu yhteys onnistuneesti.
4. Kun kahden laitteen välinen yhteys on muodostettu, sitä ei tarvitse tehdä uudelleen ennen paristojen vaihtoa.
5. Kaukosäädin menee lepotilaan, kun sitä ei käytetä pitkään aikaan ja LED -valot sammuvat. Paina mitä tahansa kaukosäätimen painiketta ja se on jälleen käyttövalmis. Painikkeiden kuvaus: ▲: eteenpäin ▼: taaksepäin ◀: käänny vasemmalle ▶: käänny oikealle. S: nopeus P: hätäjarru (hätäjarru: paina painiketta ja kaikki toiminnot pysähtyvät, paina painiketta uudelleen ja kaikki toiminnot toimivat jälleen).

Kaukosäätimen käyttö.

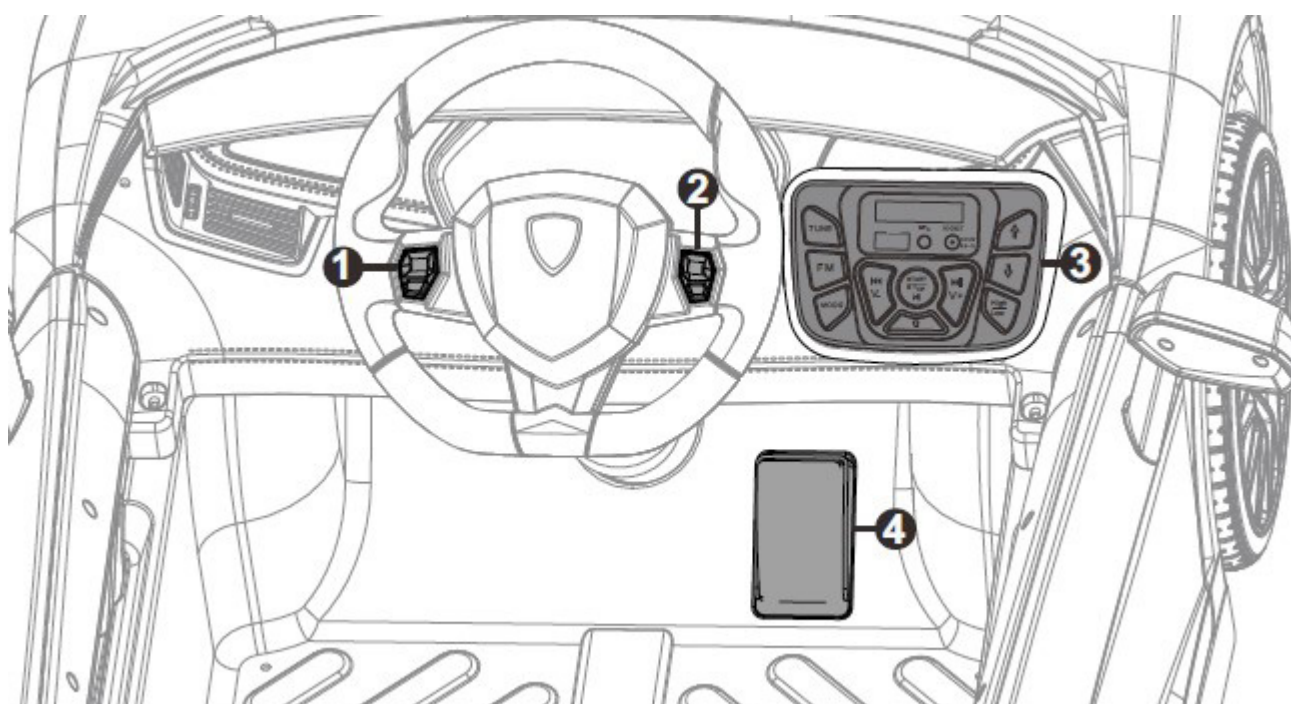
Kaukosäätimellä on ensisijainen ohjausoikeus. Kun autoa ohjataan kaukosäätimellä, voit saada auton ajamaan eteen- tai taaksepäin, ajamaan suurella tai pienellä nopeudella, ohjata autoa ja muita toimintoja. Kuljettaja ei voi tällöin hallita autoa. Paina ▲ eteenpäin -painiketta ja auto liikkuu eteenpäin. Paina ▼ -painiketta ja auto peruuttaa. Jarruta autoa painamalla P-painiketta. Vapauta jarru painamalla P-painiketta uudelleen. Paina S -painiketta säätääksesi nopeutta: 1 valo = hidas nopeus, 2 valoa = keskinopeus, 3 valoa = suurin nopeus. Oikea ja vasen nuoli osoittavat käännoiksi oikealle tai vasemmalle.



VAROITUS

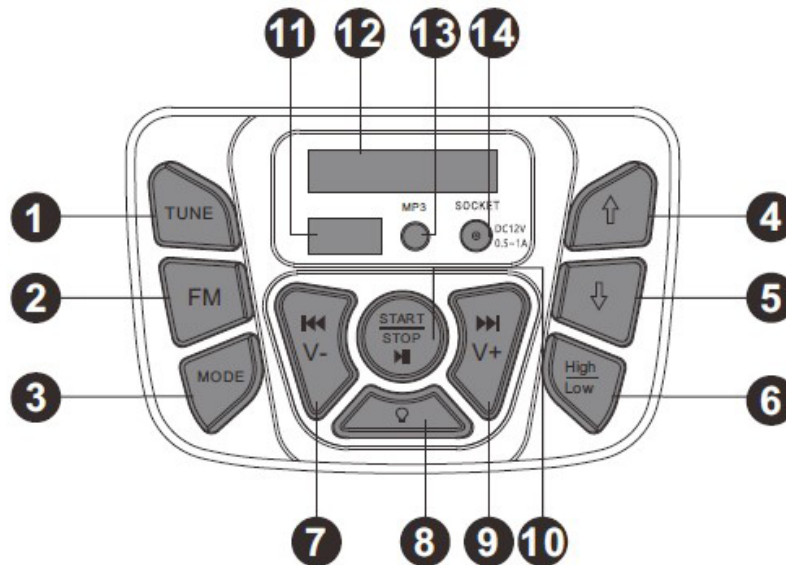
1. Paristot on asetettava oikein napaisuuden mukaan.
2. Ei-ladattavia paristoja ei saa yrittää ladata.
3. Käytetyt paristot on hävitettävä asianmukaisesti. Pidä lapset loitolla paristoista.
4. Älä sekoita vanhoja ja uusia paristoja tai erityyppisiä ja -merkkisiä paristoja.
5. Vain aikuiset, jotka ovat lukeneet ja ymmärtäneet turvallisuusvaroitukset, voivat käsitellä akkuja ja paristoja.

Ohjeet auton yksittäisille painikkeille.



1. Moottorin äänen ja seuraavan kappaleen painike: Kun USB- tai MP3 -laitetta ei ole kytketty, painikkeen lyhyt painallus tuottaa moottorin äänen. Kun USB- tai MP3 on kytketty tai laite on FM -tilassa, lyhyt painallus johtaa seuraavaan kappaleeseen / raitaan. Pidempi painallus lisää äänenvoimakkuutta.
2. Äänitorvi -painike: lyhyt painallus soittaa äänimerkin, pidempi painallus vähentää äänenvoimakkuutta.
3. Toimintojen ohjauspaneeli.
4. Poljin / kaasupoljin: auto liikkuu eteenpäin poljinta painamalla ja pysähtyy, kun jalka nostetaan pois polkimelta.

4-1. Ohjauspaneelin painikkeet



1. TUNE / FM -kanavahaku: Paina -painiketta etsiäksesi radioasemat.
2. FM: Paina painiketta kuunnellaksesi FM -radiota.
3. MODE / Tilapainike: Paina painiketta vaihtaaksesi musiikki-, USB- ja AUX -tilan välillä.
4. Eteenpäin: Paina painiketta ja sitten paina jalalla kaasupoljinta, auto kulkee eteenpäin. Vapauta kaasupoljin ja auto pysähtyy.
5. Peruutus: Paina painiketta ja sitten paina jalalla kaasupoljinta, auto kulkee taaksepäin. Vapauta kaasupoljin ja auto pysähtyy.
6. HIGH/LOW, Korkea / matala -painike: vakio: kun käynnistät auton ja lähdet ajamaan, nopeus on vakiona korkea. Paina High / Low -painiketta vaihtaaksesi pienempään nopeuteen. Peruutusvaihteella on vain yksi nopeus. Painike ei silloin vaikuta nopeuteen.
7. ◀◀ / V- edellinen kappale / ääni hiljaisemmalle tai pois: lyhyt painallus toistaa edellisen raidan. Mykistä ääni painamalla pitkään.
8. Valopainike: Kytke ajovalot päälle / pois.
9. ▶▶ / V + Seuraava kappale / Ääni lujemmalle: Toista seuraava kappale lyhyesti painamalla. Lisää äänenvoimakkuutta painamalla pitkään.
10. START/ STOP / ▶ : Käynnistä tai sammuta äänentoisto painamalla pitkään. Jos musiikkia tai radiota soitetaan, lyhyt painallus keskeyttää ja aloittaa taas toiston.
11. USB -tulo: Aseta USB -muisti haluttujen kappaleiden toistamiseen, vain MP3 -tiedostoja tuetaan.
12. Jännitenäyttö: Näytön arvo auttaa määrittämään, pitääkö akku ladata.
13. AUX -liitäntä: Liitä miniplugilla haluamasi musiikkisoitin, kuten matkapuhelin tms.
14. Latausliitin: Lataa auto mukana toimitetulla laturilla.

4-2. Ohjauspaneelin käyttö:

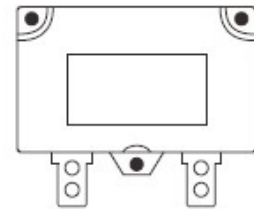
1. START / STOP /  : paina (START / STOP /  -painiketta (10) 2-3 sekunnin ajan, jolloin auto käynnistyy, näyttöön tulee valo ja auto antaa moottorin äänen. Olet valmis käyttämään autoa. Paina (START / STOP /  -painiketta 2-3 sekunnin ajan ja auto sammuu.
2. FM -radiotoiminto: Kuuntele radiota painamalla FM -painiketta (2). Paina TUNE -painiketta (1) ja FM -kanavat haetaan. Haku voi kestää jonkin aikaa, jolloin radio etsii ja tallentaa löydetyt asemat automaattisesti. Kun haku on valmis, radio toistaa automaattisesti ensimmäisen tallennetun aseman. Paina (  / V + -painiketta) (9) ja vaihda seuraavaan asemaan yhdellä painikkeen napautuksella. (  / V -painike) (7) painamalla toistetaan edellinen asema toistetaan. Pitkä painallus (  / V + -painike) lisää äänenvoimakkuutta. Pitkä painallus (  / V -painike) vähentää äänenvoimakkuutta. Lyhyt painallus (START / STOP /  -painike) pysäyttää toiston, paina uudelleen ja toisto alkaa uudelleen.
3. USB -liitin: kytke USB -muisti liittimeen (11) ja musiikki toistetaan automaattisesti. Lyhyt painallus   / V + -painiketta 9, toistaa seuraavan raidan. Lyhyt painallus painiketta 7 (  / V) toistaa edellisen raidan, pitkä painallus pienentää äänenvoimakkuuden. Vastaavasti   / V +) eli painike (9) pitkällä painalluksella lisää äänenvoimakkuutta. Lyhyt painallus painiketta 10 (START / STOP /  , katkaisee musiikin, painamalla uudelleen ja musiikki alkaa uudelleen.
4. AUX / MP3 -liitäntä: Työnä miniplugilla varustettu kaapeli liittimeen (13) ja liitä matkapuhelin tai MP3 -soitin. Toista sitten musiikkiasi liiteyllä laitteella niin ääni tulee auton kaiuttimista. Pitkä painallus painiketta 9 (  / V +) lisää äänenvoimakkuutta, pitkä painallus painiketta 7 (  / V -) vähentää äänenvoimakkuutta. Painikkeen 10 (START / STOP /  -) lyhyt painallus sammuttaa musiikin, paina samaa painiketta uudelleen ja musiikki alkaa uudelleen. Musiikin soittojärjestys ei muutu taukojen aikana. Kun toistat AUX -liitännän kautta, musiikkikappaleita voidaan vaihtaa vain mobiililaitteestasi.
5. Vaihda äänilähdettä (Radio/USB/AUX) painikkeella 3 (MODE).
6. Eteen- / taaksepäin, nopea / hidas toimintopainikkeet. Kun auto kytketään päälle, nopeus on vakiona nopea. Paina painiketta (6) vaihtaaksesi alhaisempaan nopeuteen, paina uudelleen ja nopeus vaihtuu taas korkeammaksi. Paina painiketta 5 (↓) ja auto on valmis peruuttamaan, tässä asetuksessa vain yksi nopeus (alhainen) eikä ajonopeuden vaihtaminen toimi. Paina painiketta 4 (↑) vaihtaaksesi ajosuunta jälleen eteenpäin.
7. Valopainike (8): kun auto kytketään päälle, autoon syttyy oletusarvoisesti valot, mutta valopainikkeella () voi sytyttää ja sammuttaa valot.

5. Ajo-ohjeet:

Istuta lapsi istuimelle ja kiinnittää turvavyö. Paina START/STOP -käynnistyspainiketta (2-3) sekuntia, näyttöön syttyvät valot ja käynnistysääni kuuluu (2-5 sekuntia). Paina ajosuunnan painiketta (4) ja paina poljinta, niin auto ajaa eteenpäin. Nosta jalka polkimelta ja auto pysähtyy. Paina peruutuspainiketta (5) ja paina sitten poljinta, niin auto peruuttaa. Vapauta poljin uudelleen ja auto pysähtyy. Paina START/STOP -painiketta 2-3 sekuntia ja auto sammuu.

6. Ohjeet ylikuormitussuojaukseen.

Jos auton sähköjärjestelmä ylikuormittuu, ylikuormitussuoja katkaisee virran. 5-10 sekunnin kuluttua virrat kytkeytyvät automaattisesti uudelleen päälle.



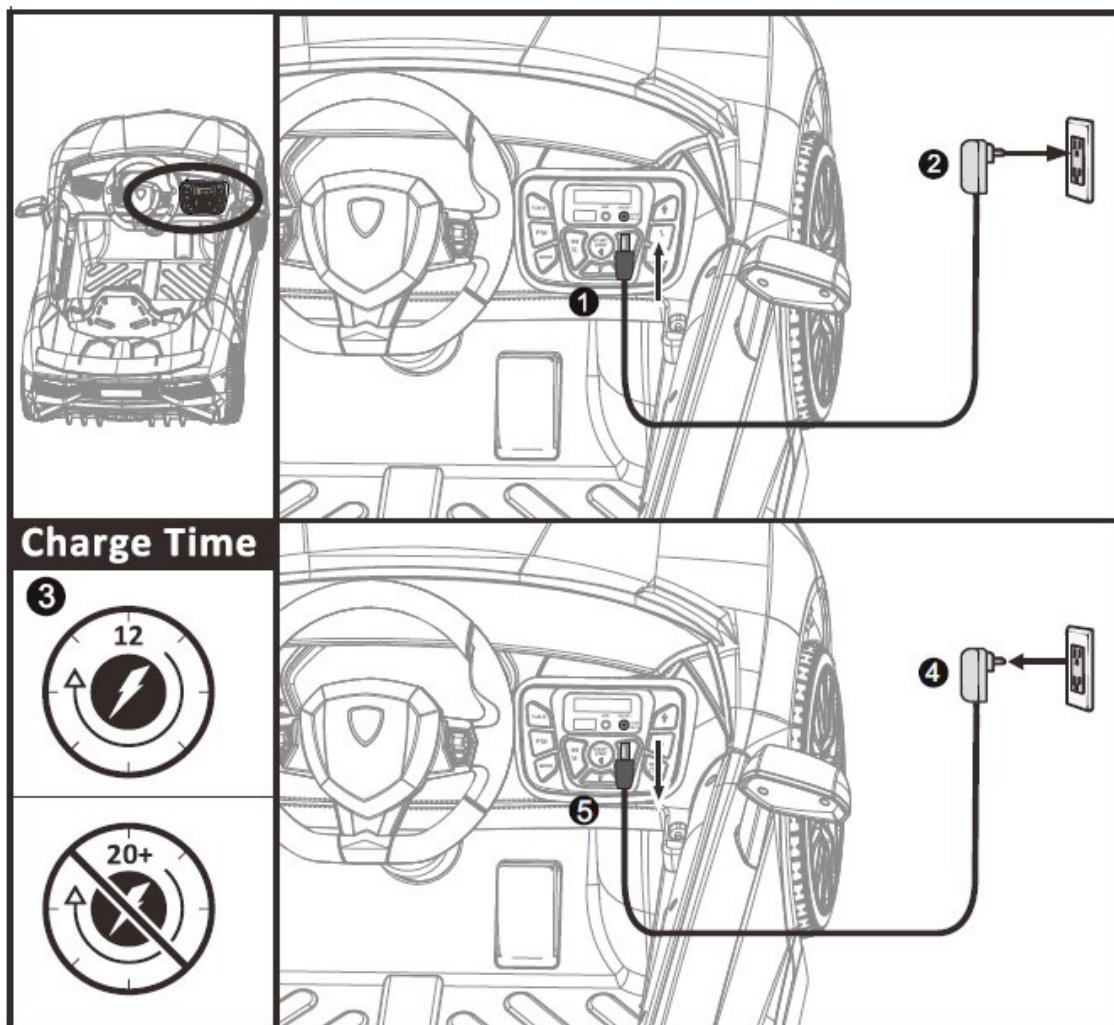
VAROITUS

Tulipalon vaara! Älä milloinkaan oikosulje sulaketta. Tämä voi vaurioittaa sähköjärjestelmää.

7. Latauksen ohjeet

VAROITUS

Kytke laturi suoraan 230 voltin pistorasiaan. Älä käytä jatkojohtoa.



Kun akun jännite on alhainen, lataa se heti. Latausliitin sijaitsee kojelaudassa kuvan osoittamassa paikassa. (Huomio: Autoa ei voi käyttää lataustilassa. Latauksen saa suorittaa vain aikuinen.)

