

LINHAI M150 T3A - 9056893 & 9056894

Reservdelar

Spareparts



P.Lindberg



9056893 Modell svart

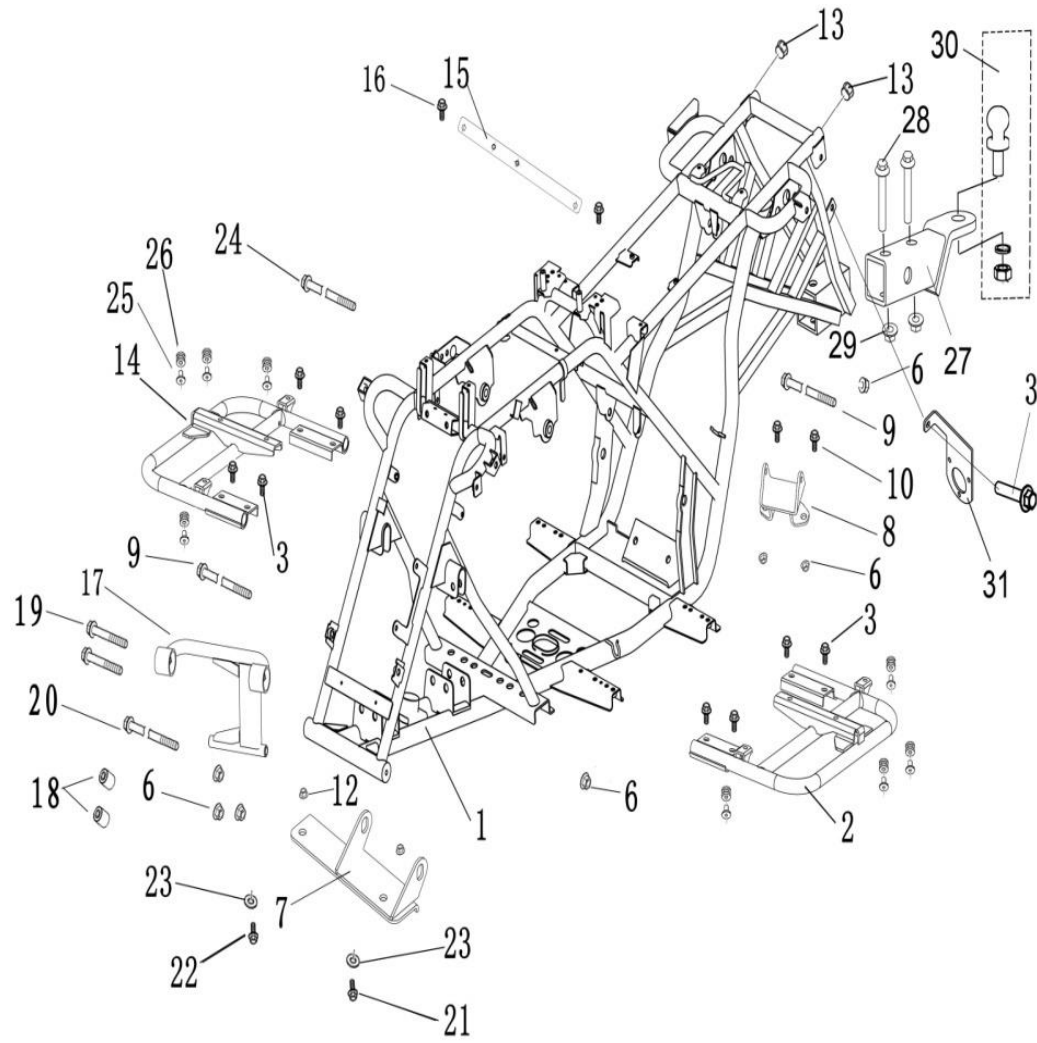
9056894 Modell röd

Det sker löpande att reservdelar skapas, därför rekommenderas Linhais referensnummer för sökning.

Innehåll / Index

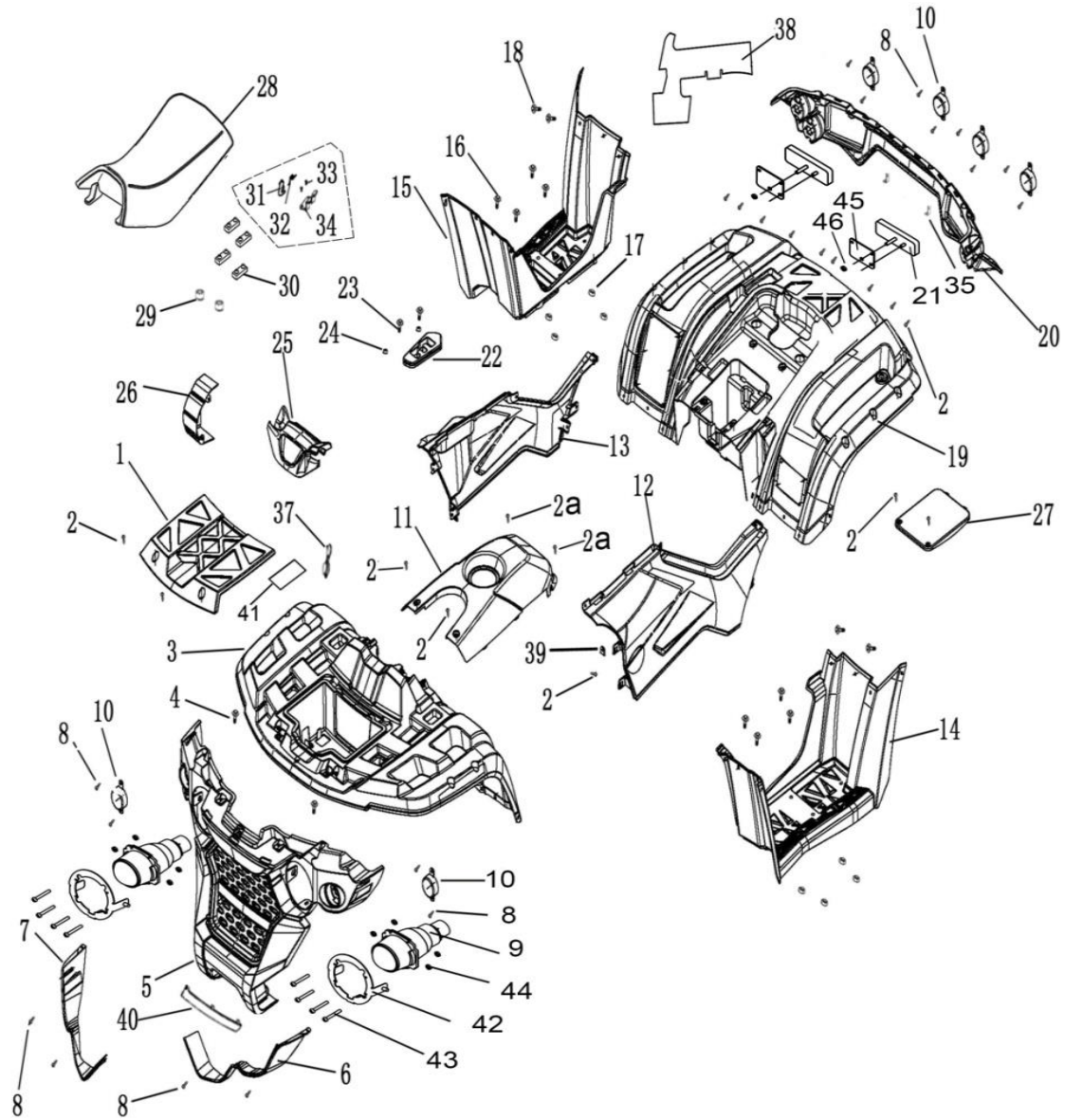
Fig 1: Ram / frame	Fig 17: Vevaxelventil / valve timing mechanism
Fig 2: Skärm / plastic parts	Fig 18: Vevhus höger/vänster / crankcase, left/right
Fig 3: Styre / handlebar	Fig 19: Sidoskydd, vänster / crankcase cover, left
Fig 4: Bäarm / A-arm	Fig 20: Cylinderhuvud / cylinder head
Fig 5: Växellåda / shift rod	Fig 21: Cylinder / cylinder
Fig 6: Framdäck / wheel, front	Fig 22: Cylinderskydd / cover, cylinder head
Fig 7: Bakdäck / wheel, rear	Fig 23: Oljepump / oil pump
Fig 8: Svängarm / swingarm, assy	Fig 24: Startmotor / starting motor
Fig 9: Bakaxel / rear axle	Fig 25: Sidoskydd höger / crankcase cover, right
Fig 10: Bensintank / fuel tank	Fig 26: Generator / generator
Fig 11: Rattstång / steering column	Fig 27: CTV / drive system
Fig 12: Bagagehållare bag / rear rack	Fig 28: Transmission / transmission
Fig 13: Bagagehållare fram / front rack	Fig 29: Växel - bakväxel / reverse system
Fig 14: Kofångare, for / front bumper	Fig 30: Fläkthus / fan cover & shroud
Fig 14A: Elektriska systemet / electrical system	Fig 31: Avgasrör - ljuddämpare / exhaust - muffler
Fig 15: Motor / engine	Fig 32: Luftfilter / aircleaner
Fig 16: Vevaxelanslutning stången / crankshaft connection rod	Fig 33: Förgasare / carburetor
	Fig 34: Oljekylare (extrautrustning) / oil cooler parts (optional)

FIG 1: RAM / FRAME



Ref. no	PL nr / art. no	Art.	Art. name	OE no	Antal / pcs
1	N/A		FRAME	36724	1
2	N/A		FOOTREST WELD ASSEMBLY LEFT (new modle)	36822	1
3	9050231	Bult	BOLT M8X20	10783	9
6	9050208	Mutter	NUT M10	10015	8
7	N/A		FRONT THE ENGINE MOUNTING PLATE	36843	1
8	N/A		Rear the engine mounting plate	36728	1
9	N/A		BOLT M10X115	10988	2
10	N/A		BOLT M10X1.25X25	11047	2
12	9050207	Mutter	NUT M8	10079	2
13	N/A		RUBBER PLUG	36726	2
14	N/A		FOOTREST WELD ASSEMBLY RIGHT(new modle)	36821	1
15	N/A		MOUNTING PLATE	36725	1
16	9050220	Bult	BOLT M6X16	10239	2
17	N/A		KIT,ENGINE MOUNT BRACKET	36729	1
18	N/A		BUSH	60604	2
19	9034160	Bult	BOLT M10X1.25X68	10138	2
20	N/A		BOLT M10X1.25X195	10989	1
21	9034447	Bult	BOLT M8X1.25X25	10276	1
22	N/A		BOLT M8X1.25X20	10936	1
23	9050202	Bricka	Washer 8	26009	2
24	N/A		BOLT M10X110	10925	1
25	N/A		Fuel tank buffer sleeve 1 (match with 4BH-78302-00)	36065	8
26	N/A		Fuel tank buffer sleeve (match with 4BH-78302-00)	36064	8
27	9057941	Drag	TOWING BALL INSTALL WELDED COMPONENTS	25295	1
28	N/A		BOLT M16X85	10874	2
29	9050210	Mutter	NUT M16	10874	1
30	9013696	Kula	TOWING BALL	25294	1
31	N/A		OUTPUT SOCKET INSTALLATION	71070	1

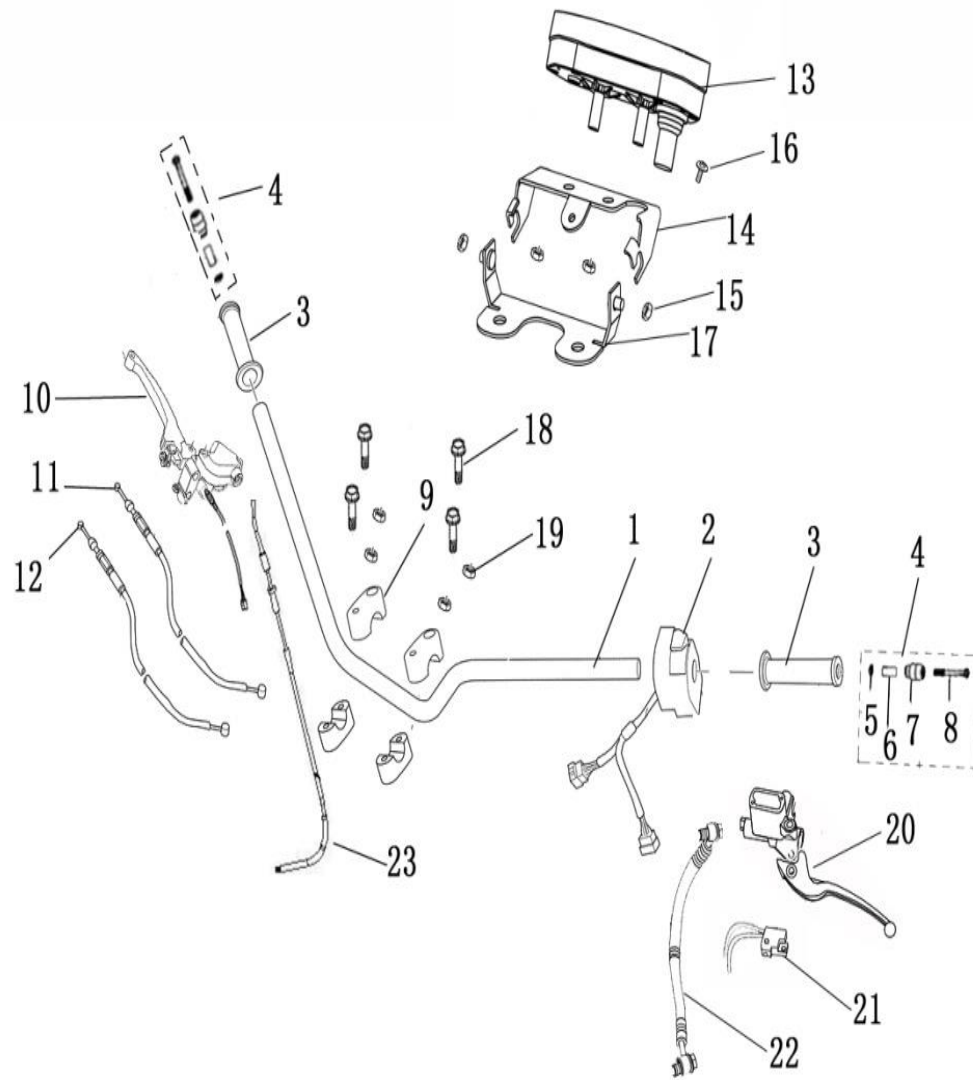
FIG 2: SKÄRM / PLASTIC PARTS



Ref. no	PL nr / art. no	Art	Art. name	OE no	Antal / pcs
1	9057942	Frontlock	Front cover	36797	1
2	9057943	Skruv	SCREW ST4.8X16	11051	31
2a	N/A		SCREW ST4.8X12	11053	2
3	9057944	Framskärm	FRONT TOOL BOX COVER	36796	1
4	9034420	Bult	BOLT M6X12	10140B	6
5	9057945	Kylargaller	FRONT VENTILATION GRID	36798	1
6	N/A		Left front headlight frame(red)	367992g	1
6	N/A		Left front headlight frame (BLACK)	367991f	1
7	N/A		Right front headlight frame(red)	368002g	1
7	N/A		Right front headlight frame (BLACK)	368001f	1
8	N/A		Right front headlight frame (white)	10066	12
9	9057946	Framlykta	HEADLIGHT	83373	2
10	9057947	Skydd framlykta	LAMP OVER	72082	5
11	N/A		TOP cover of fuel tank(red)	368012g	1
11	9057948	Tank skydd (svart)	TOP cover of fuel (BLACK)	368011f	1
12	N/A		SIDE COVER L(red)	368022g	1
12	9057949	Sidoskärm vänster (svart)	SIDE COVER L (BLACK)	368021f	1
13	N/A		SIDE COVER R(red)	368032g	1
13	N/A		SIDE COVER R(red)	368652g	1
13	9057950	Sidoskärm Höger (svart)	SIDE COVER R (BLACK)	368031f	1
14	9057951	Fotstöd vänster	FOOTREST LEFT	36804	1
15	9057952	Fotstöd höger	FOOTREST RIGHT	36805	1
16	9034139	Bult M6x30	BOLT M6X30	10182	8
17	9033865	Mutter M6	NUT M6	10004	8
18	9057953	Skruv M6x20	SCREW M6X20	10127	16
19	9057954	Baskärm/cover	REAR FENDER	36806	1
20	9057955	Baklykta montering	Rear light frame	36807	1
21	9049284	Reflex bak röd	REAR REFLECTOR	40319	2
22	9057956	Växel kulissplatta	Shift gear cover plate	36808	1
22	9057957	Växel kulissplatta 1	Shift gear cover plate	36868	1
23	N/A		SCREW M5X16	10201	2
23	N/A		SCREW M6X30	11064	2
24	N/A		NUT M5	10109	2
24	N/A		NUT M6	11065	2
25	N/A		SPEEDOMETER COVER (red)	368122g	1
25	N/A		SPEEDOMETER COVER (blue)	368123j	1

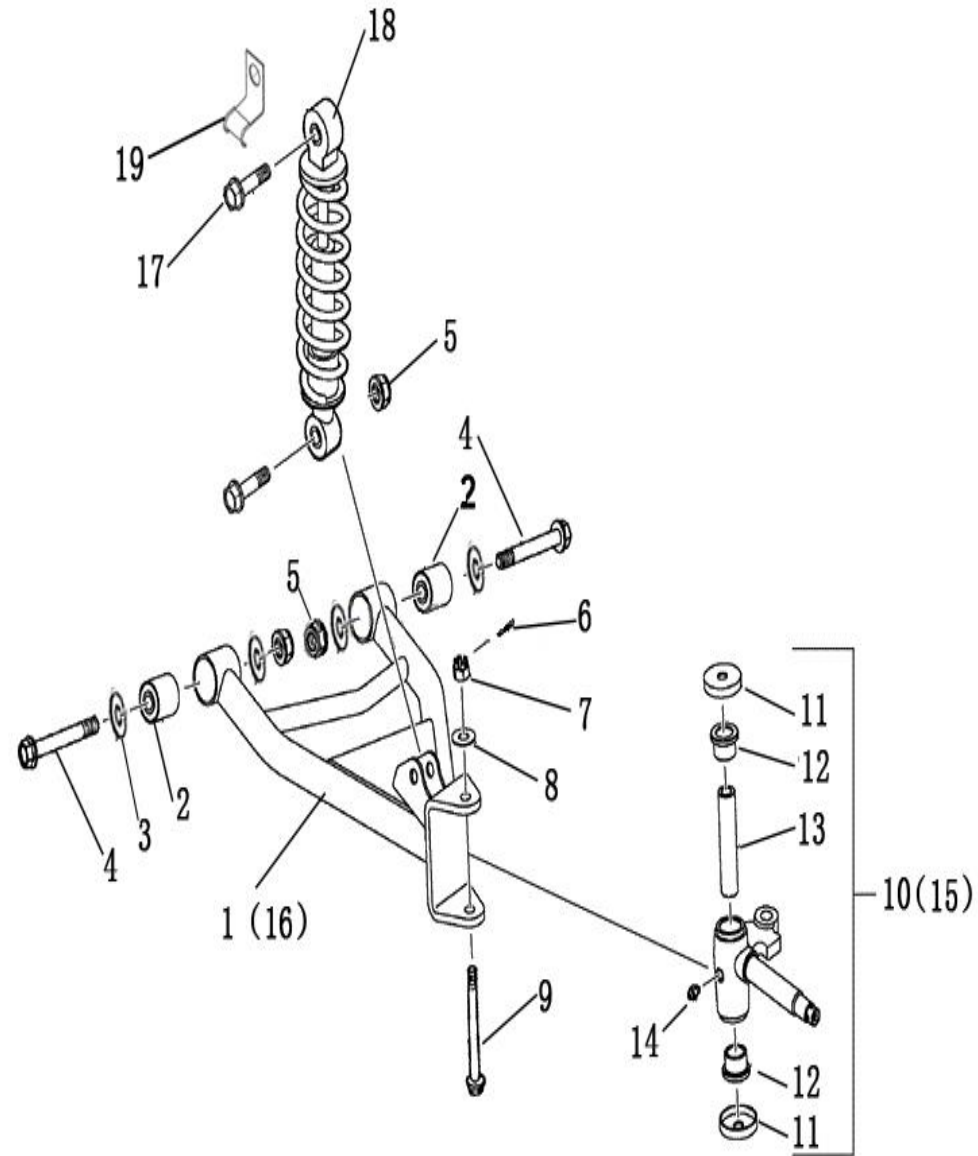
25	9057958	Speedometer skydd (svart)	SPEEDOMETER COVER (BLACK)	368121f	1
26	9057959	Kedjeskärm	CHAIN COVER	36809	1
27	9057960	Batteriskydd	CELL COVER	36813	1
28	9057961	Sits	SEAT 1	36759	1
29	9039611	Gummidämpare	RUBBER, SEAT SETTING 1	70445	2
30	9057962	Gummidämpare	RUBBER, SEAT SETTING 2	36760	4
31	9049268	Låskrok	HOOK BRACKET, SEAT LOCK	70788	1
32	9049217	Fjäder till låskrok	SPRING	70802	1
33	N/A		SCREW ST4.2X13	10178	2
34	N/A		Cushion plate	70803	1
35	N/A		FIXED SEAT	880021	2
36	9034977	Skruv	SCREW M5X10	27034	2
37	9039406	Skydd för tändingskontakt	IGNITION SWITCH COVER	27257	1
38	N/A		REAR MUD ADIABATIC PELLICLE	36727	1
39	9049167	Clips mutter	The elastic bayonet ST4.8	22346	17
40	N/A		Front trim panel	36845	1
41	N/A		sponge	36869	10
42	N/A		BRACKET, HEADLAMP	36884	2
43	N/A		SCREW M3X30	11136	8
44	N/A		NUT M3	11137	8
45	N/A		PLATE, REAR REFLECTOR	36018	2
46	N/A		NUT M5	10109	2

FIG 3: STYRE / HANDLEBAR



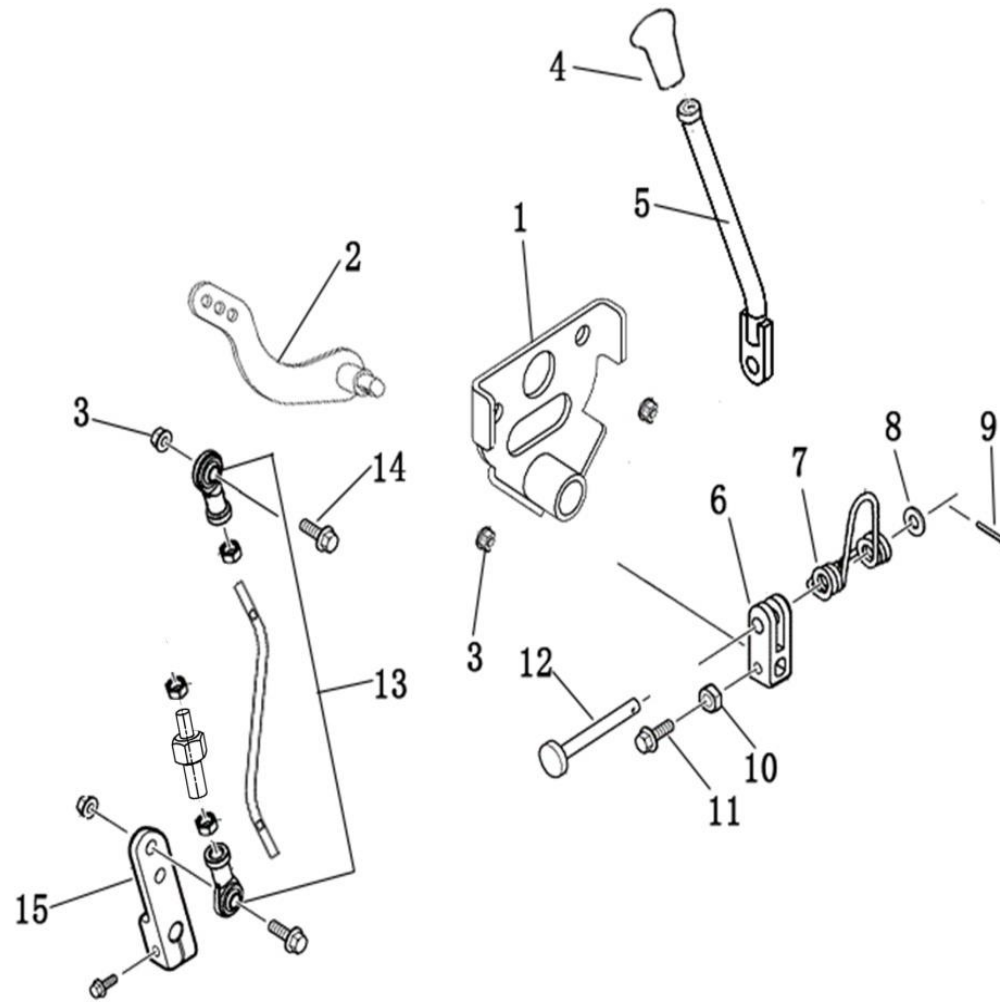
Ref. no	PL nr / art. no	Art	Art. name	OE no	Antal / pcs
1	9057963	Styr	HANDLEBAR	36793c	1
2	9057964	Multikontakt vänster	SWITCH ASSY(T3)	60110c	1
3	9057965	Grepp	GRIP	36870	1
4	9057966	Ändstycke styre	NEW GUARD,HANDLEBAR END ASSY. (MATCH WITH NEW HAN	72037	2
5	9050206	Mutter M6	NUT M6	10913	2
6	N/A		TENSIONING BLOCK	72035	2
7	N/A		BALANCE WEIGHT	72036	2
8	N/A		SCREW M6X70	10940	2
9	9057113	CLAMP FÖR STYRE	HANDLEBAR CLAMP	20112a	4
10	9057967	Gashandtag komplett	THROTTLE CABLE BRACKET	60107	1
11	9057968	Bromskabel bak vänster	REAR CABLE COMP1. (LEFT)	36791	1
12	9057969	Bromskabel bak höger	REAR CABLE COMP2. (RIGHT)	36792	1
13	9057970	Speedometer	SPEEDOMETER	36885	1
14	9057971	Instrument hållare	Instrument bracket mounting plate	36795	1
15	9033865	Mutter M6	NUT M6	10004	4
16	N/A		SCREW ST4.8X12	10520	1
17	N/A		SPEEDOMETER SUPPORT	36794	1
18	9057972	Bult M8x65	BOLT M8X65	10419	4
19	9050207	Mutter M8	NUT M8	10079	4
20	9057973	Bromshuvudcylinder handbetjänt	PUMP 1 (ZJ)	36871	1
21	9057974	Bromsljus kontakt	Brake lamp switch (ZJ)	36872	1
22	9057975	Bromssläng	hosepipe (ZJ)	36873	1
23	9057976	Gaskabel	THROTTLE CABLE	60114	1

FIG 4: BÄRARM / A-ARM



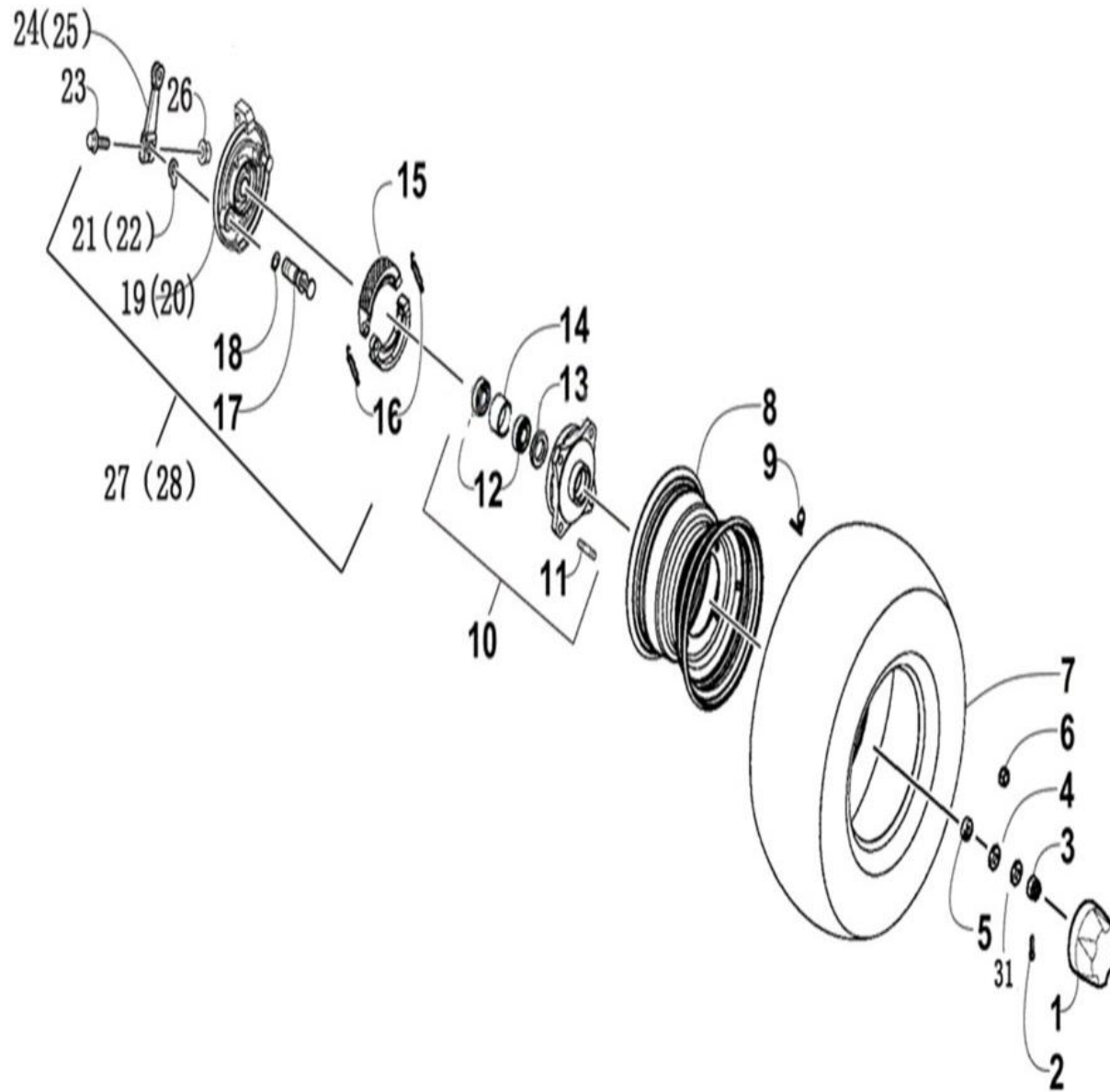
Ref. no	PL nr / art. no	Art	Art. name	OE no	Antal / pcs
1	9057977	Bärarm höger	A-ARM RITGHT	36740	1
2	9057978	Bärarmsbussning	A-ARM PAD	36741	4
3	9057979	Packningsring	DUST COVER	36742	8
4	9057980	Bult M10x70x1,25	BOLT M10X1.25X70	10216	4
5	9031005	Mutter M10x1,25	NUT M10X1.25	10015	8
6	9034697	Sprint	COTTER PIN2X20	10094	2
7	N/A		NUT M10X1.25	60507	4
8	9033907	Bricka	WASHER 10	10019	2
9	9057981	Bult styrspindel	A-ARM BOLT	36736	2
10	9057982	Styrspindel komplett höger	A-ARM PIVOT SHAFT RIGHT	36732	1
11	N/A		A-ARM PIVOT SHAFT SEALED RING	36733	4
12	9057983	Styrarms bussning smal	SMALL BUSHING	36735	4
13	N/A		BIG BUSHING	36734	2
14	N/A		OIL FITTING	36737	2
15	9057984	Styrspindel komplett vänster	A-ARM PIVOT SHAFT LEFT	36738	1
16	9057985	Bärarm vänster	A-ARM LEFT	36739	1
17	N/A		BOLT M10X1.25X42	10522	4
18	9057986	Stötdämpare främre	FRONT SHOCK ABSORBER	36731	2
19	N/A		Fixing clip	36842	2

FIG 5: VÄXELLÅDA / SHIFT ROD



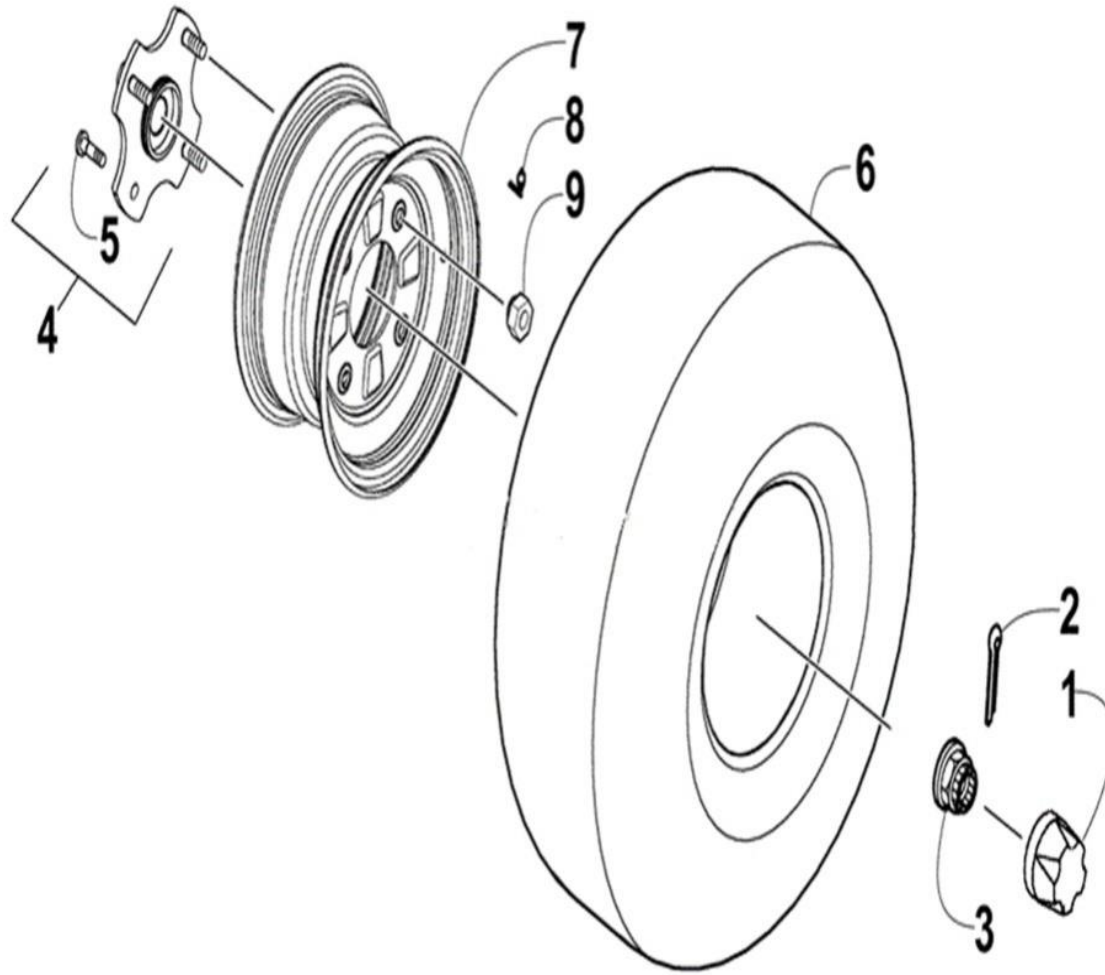
Ref. no	PL nr / art. no	Art.	Art. name	OE no	Antal / pcs
1	9057987	Monteringsplatta växel	SHIFTER MOUNTING BRACKET	36721	1
2	9057988	Växelförare	SHIFTER SPINDLE	36723	1
3	9033914	Mutter M8	NUT M8	10079	4
4	9057989	Växelspaksknopp	KNOB	29628	1
5	9057990	Växelspak	SHIFT LEVER	36722	1
6	9057991	Förbindelseled växelväljare	SHIFT LEVER SUPPORT	36902	1
7	9057992	Fjäder växelväljare	TORSION SPRING	36901	1
8	9050202	Planbricka M8	Washer 8	10068W	1
9	9036799	Sprint	COTTER PIN 2X16	10994	1
10	9050206	Mutter M6	NUT M6	10090W	1
11	9034690	Bult	BOLT M6X20	10110	2
12	N/A		SHIFTER PIN	36900	1
13	9057993	Förbindelsestång, växel	SHIFTER MOUNTING ROD	36720	1
14	9033941	Bult	BOLT M8X28	10060	2
15	9057994	Förbindelsesled	SHIFTER STICK	36710	2

FIG 6: FRAMDÄCK / WHEEL, FRONT



Ref. no	PL nr / art. no	Art.	Art. name	OE no	Antal / pcs
1	9057995	Navkapsel	PROTECTIVE RUBBER	36773	2
2	9036799	Sprint	COTTER PIN 4X28	10038	2
3	N/A		SLOTTED NUT M14X1.5	10995	2
4	N/A		SEAL SLEEVE	60301	2
5	N/A		SPACER 1	36771	2
6	9057996	Hjulmutter	WHEEL HUB CONE NUT	36779	8
7	9057997	Däck front	TIRE FRONT	36762	2
8	9057998	Fälg front	WHEEL FRONT	36761	2
8	N/A		WHEEL FRONT (OPTIION)	36854	2
9	9029813	Ventil slanglös	VALVE.RIM	20807a	2
10	9057999	Hjulnav komplett	HUB ASSY SHRT	36765	2
11	N/A		The front wheel bolt installation	36783	8
12	N/A		BEARING 6002Z	11000	4
13	9058000	O-ring	SEAL SLEEVE	36874	2
14	N/A		SPACER 2	36772	2
15	9058001	Bromsbackar set	BRAKE SHOE SET	50200	2
16	9058002	Fjäder bromsbackar	SPRING TEMSION	60813	4
17	N/A		PIN PIVOT	36766	2
18	N/A		sponge mat	36778	2
19	N/A		PANEL SUB. COMP., LEFT	36767	1
20	N/A		PANEL SUB. COMP., RIGHT	36774	1
21	N/A		BRACK SPACER. LEFT	36775	1
22	N/A		BRACK SPACER. RIGHT	36776	1
23	N/A		BRACK BOLTS M6X28	36777	2
24	N/A		ROCKER LEFT	36768	1
25	N/A		ROCKER RIGHT	36769	1
26	9050206	Mutter M6	NUT M6	10109	2
27	9058003	Bromssystem komplett -vänster	BRACK COMPONENTS.LEFT	36840	1
28	9058004	Bromssystem komplett -höger	BRACK COMPONENTS. RIGHT	36780	1
31	N/A		WASHER	36770	2

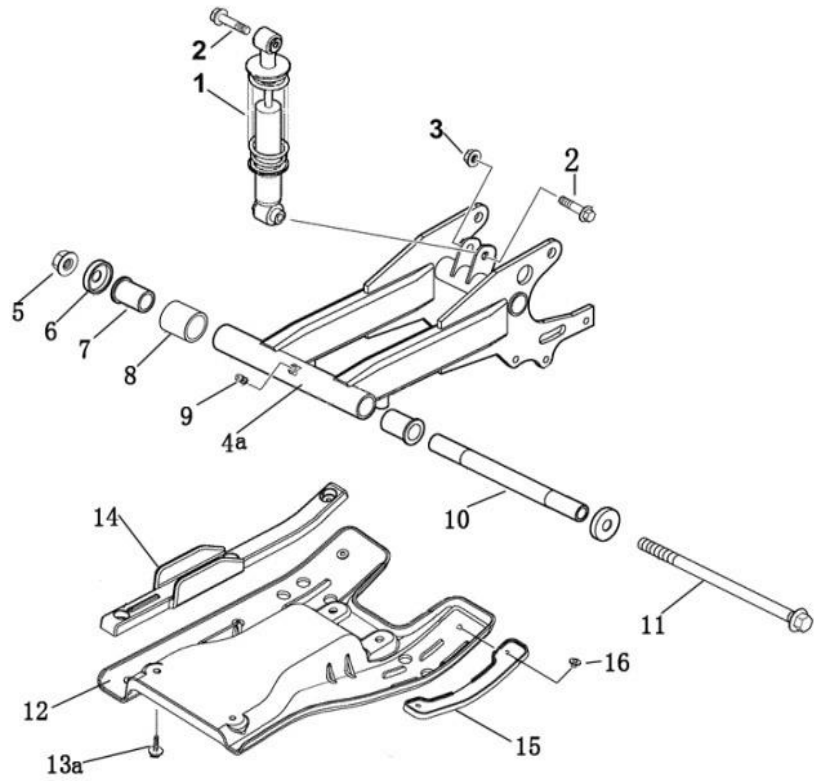
FIG 7: BAKDÄCK / WHEEL, REAR



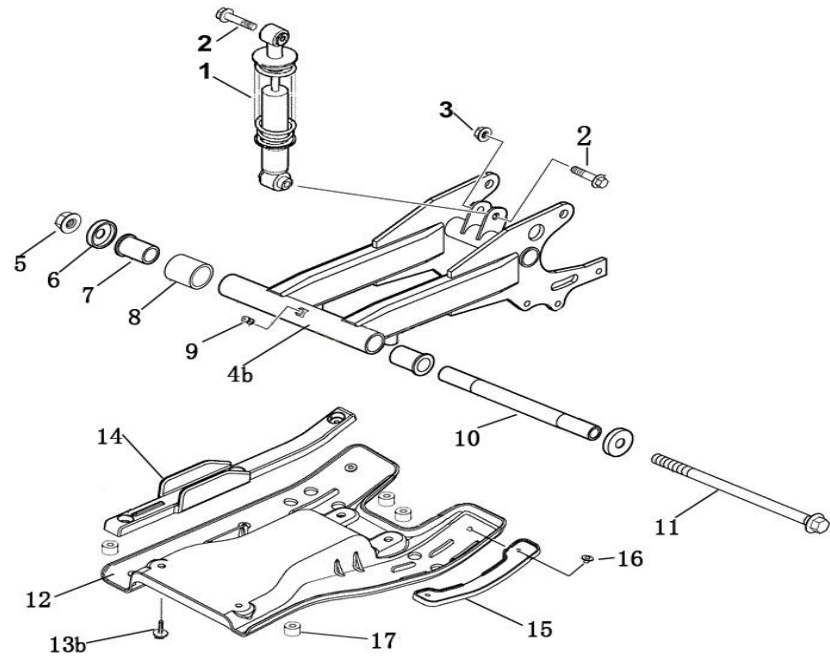
Ref. no	PL nr / art. no	Art.	Art. name	OE no	Antal / pcs
1	9057995	Navkapsel	PROTECTIVE RUBBER	36773	2
2	9036799	Sprint	COTTER PIN 4X28	10038	2
3	N/A		SLOTTED NUT M14X1.5	36770	2
4	9058005	Hjulnav, bak	CAST WHEEL REAR	36781	2
5	N/A		The rear wheel bolt installation	36782	8
6	9058006	Däck, bak	TIRE REAR	36764	2
7	9058007	Fälg, back	WHEEL REAR	36763	2
7	N/A		WHEEL REAR (OPTION)	36856	2
8	9029813	Ventil slanglös	VALVE.RIM (PVR70)	20807a	2
9	9057996	Hjulmutter	WHEEL HUB CONE NUT	36779	8

FIG 8: SVÄNGARM / SWINGARM, ASSY

Modell 1

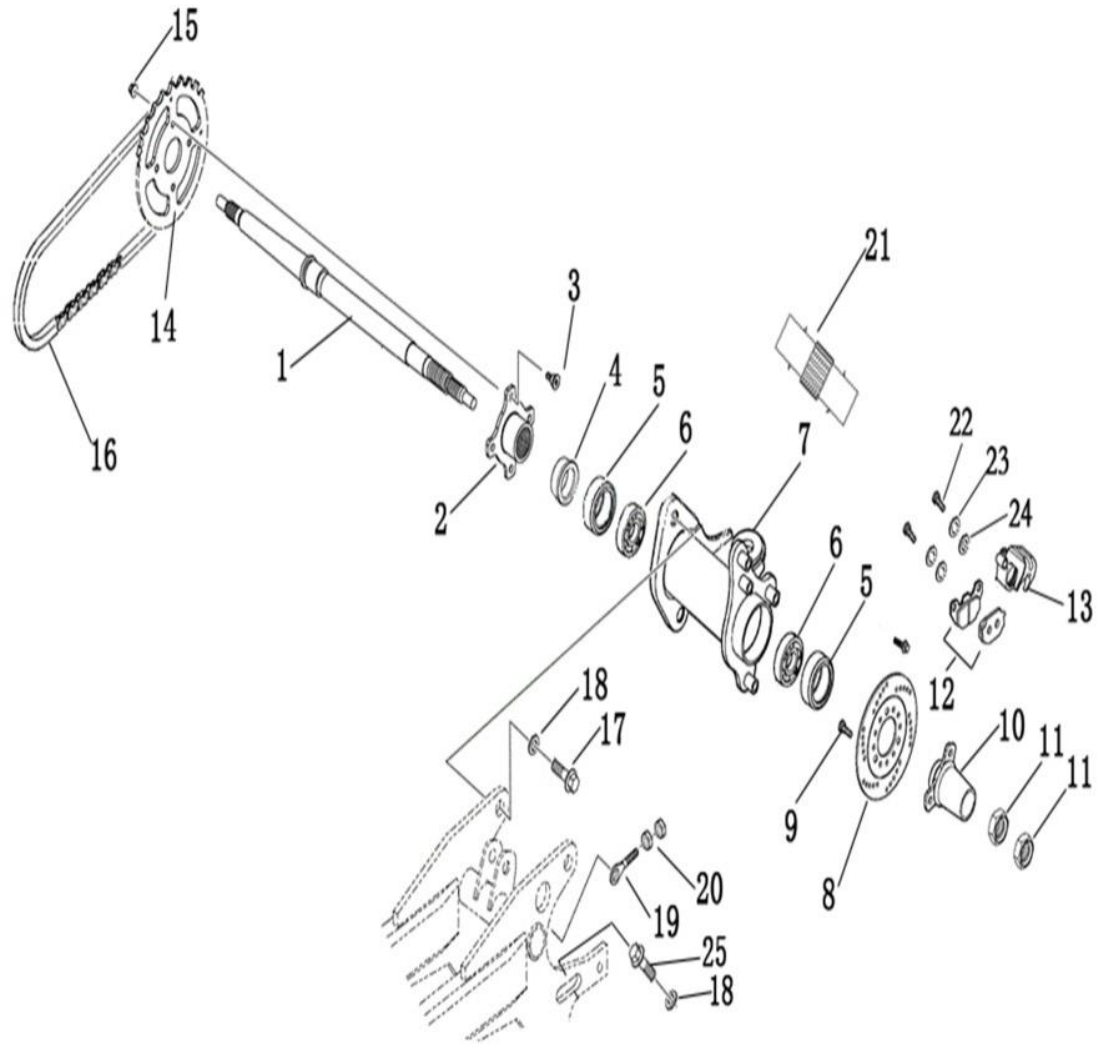


Modell 2



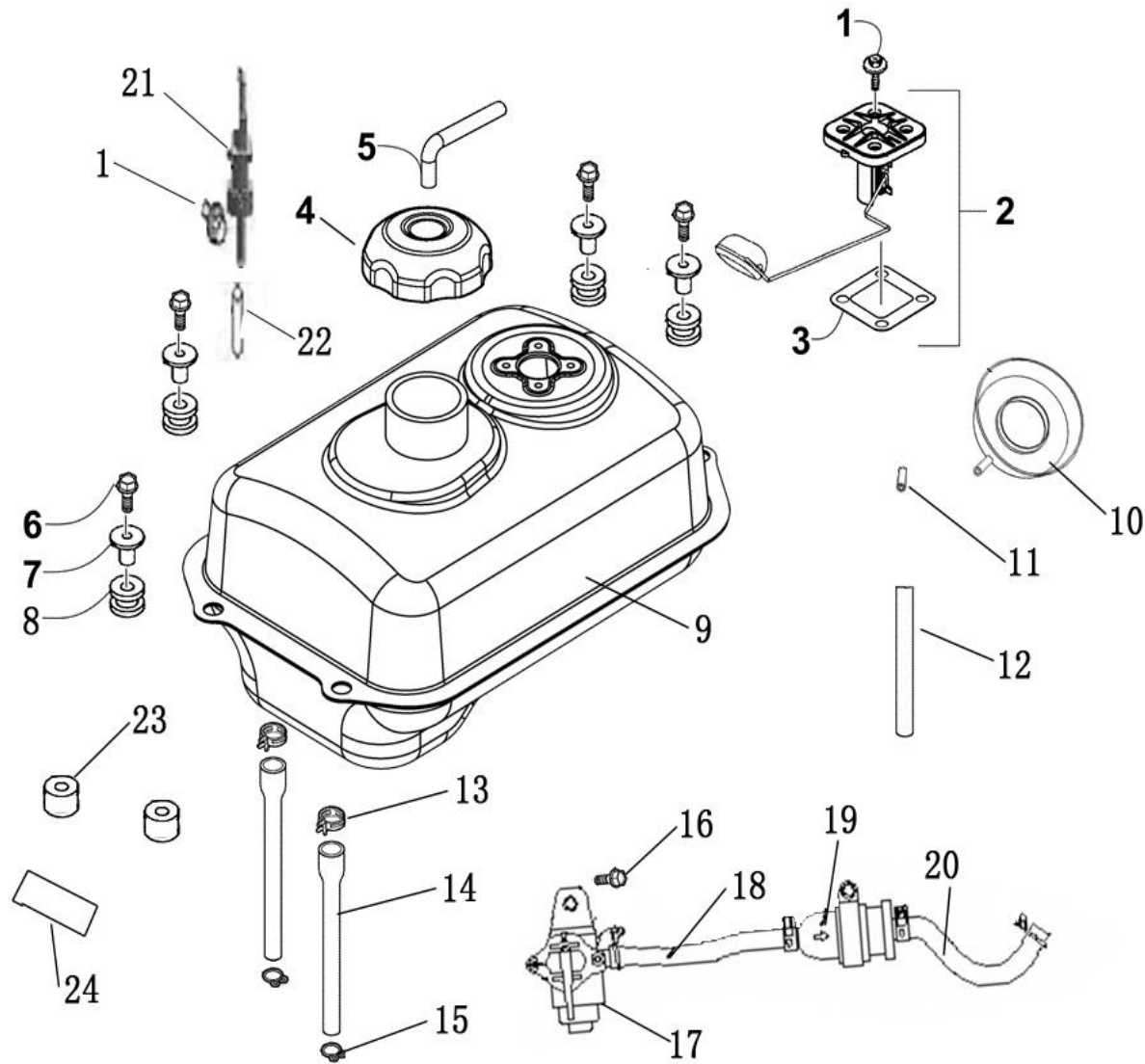
Ref. no	PL nr / art. no	Art.	Art. name	OE no	Antal / pcs
1	9058008	Stötdämpare	SHOCK ABSORBER REAR	36730	1
2	N/A		BOLT M10X1.25X38	11055	2
3	9031005	Mutter	NUT M10X1.25	10015	2
4	N/A		SWINGARM ASSY	36814	1
4a	N/A		SWINGARM ASSY (match with 1BU-17130-00)	36846	1
4b	9058009	Baksving, komplett	SWINGARM ASSY (match with 1BU-17133-00)	36849	1
5	9034762	Mutter	NUT M14X1.5	10091	1
6	9058010	Packning	SEAL	36820	2
7	9058011	Bussning	SWING ARM PIVOT BUSHING	36815	2
8	9058012	Avståndsbusning	CRADLE CASES	36817	1
9	N/A		OIL CUP M6	10888	1
10	9058013	Avståndsbusning lång	SWING ARM PIVOT BUSHING 2	36816	1
11	9058014	Bakaxelbult lång	SWING ARM PIVOT	36819	1
12	9058015	Skyddsplatta	CRADLE PLATE	36818	1
13a	9050220	Bult M6	BOLT M6X16	10812	4
13b	9050221	Bult M6	BOLT M6X20	11057	4
14	9058016	Kedjeskärm	SPROCKET GUARD	36810	1
15	9058017	Skyddsskärm	BACKPLATE	36811	1
16	N/A		SCREW ST4.8X12(BALD)	10520	4
17	N/A		The right washer	24217	4

FIG 9: BAKAXEL / REAR AXLE



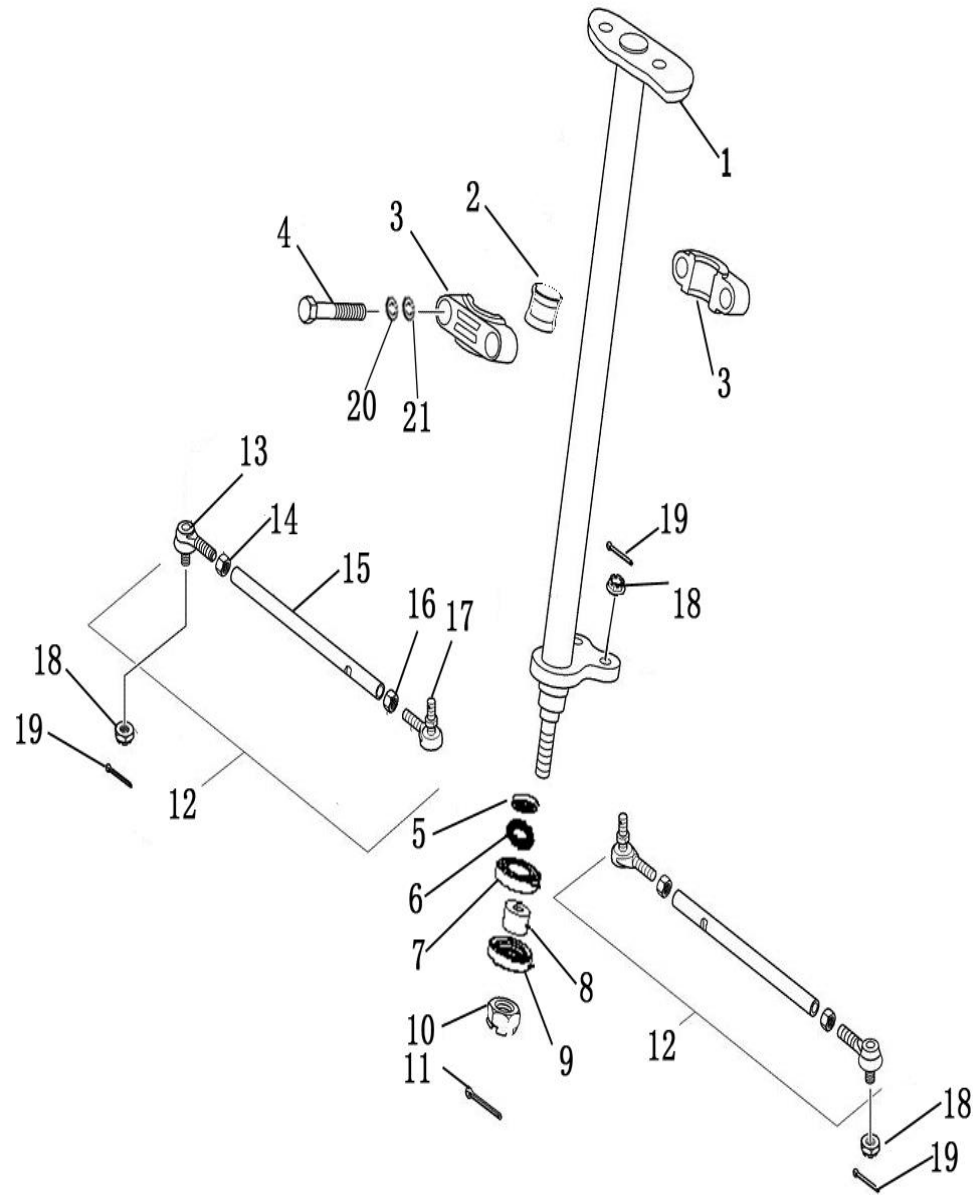
Ref. no	PL nr / art. no	Art.	Art. name	OE no	Antal / pcs
1	9058018	Bakaxel	REAR AXLE	36745	1
2	9058019	Kedjehjulsnar bak	CHAIN WHEEL SOLEPLATE	36747	1
3	N/A		PRESSING BOLT	36784	4
4	9058020	Avståndsbussning	REAR AXLE SPACER	36748	1
5	9058021	O-ring	OIL REAR AXLE	36749	2
6	9058022	Lager bakaxel	BEARING	11008	2
7	9058023	Bakaxel lagerhus	AXLE TUBE AND HITCH ASSEMBLYLE	36746	1
8	9058024	Bromsskiva	BRAKE DISC	36790	1
9	9058025	Bult till bromsskiva	BRAKE DISC INSTALL BRAKET BOLT	36853	3
10	9058026	Nav till bromsskiva	HUB BRAKE DISC MACH	36750	1
11	N/A		NUT	36751	2
12	9058027	Bromsklossar, set	INSIDE AND OUTSIDE PAD	36875	1
13	9058028	Ok	PUMP 2	36876	1
14	N/A		CHAIN WHEEL 1 (30 TEETH QTY)	36687	1
14	9058029	Kedjehjul 35 tänder	CHAIN WHEEL 2 (35 TEETH QTY)	36688	1
15	9031005	Mutter	NUT M10	10015	4
16	N/A		CHAIN1 (match with 1BU-17120-00)	36690	1
16	N/A		CHAIN2 (match with 1BU-17120-00)	36689	1
16	9058030	Bakkedja	CHAIN3 (match with 1BU-17121-00)	36857	1
17	N/A		BOLT M12X1.25X30	10235	4
18	N/A		Washer 12	10032	3
19	9058031	Kedjespännare	CHAIN ADJUSTER	36864	1
20	9050207	Mutter	NUT M8	10099	2
21	9058032	Distansrör	AXLE TUBE AND HITCH SPACER	36752	1
22	9058033		BOLT M8x32	10279	2
23	9033861	Bricka	WASHER8	10106	2
24	9033859	Bricka	Washer 8	10068	2
24	N/A		Washer 8	36877	2
25	N/A		BOLT M12X1.25X35	11005	2

FIG 10: BENSINTANK / FUEL TANK



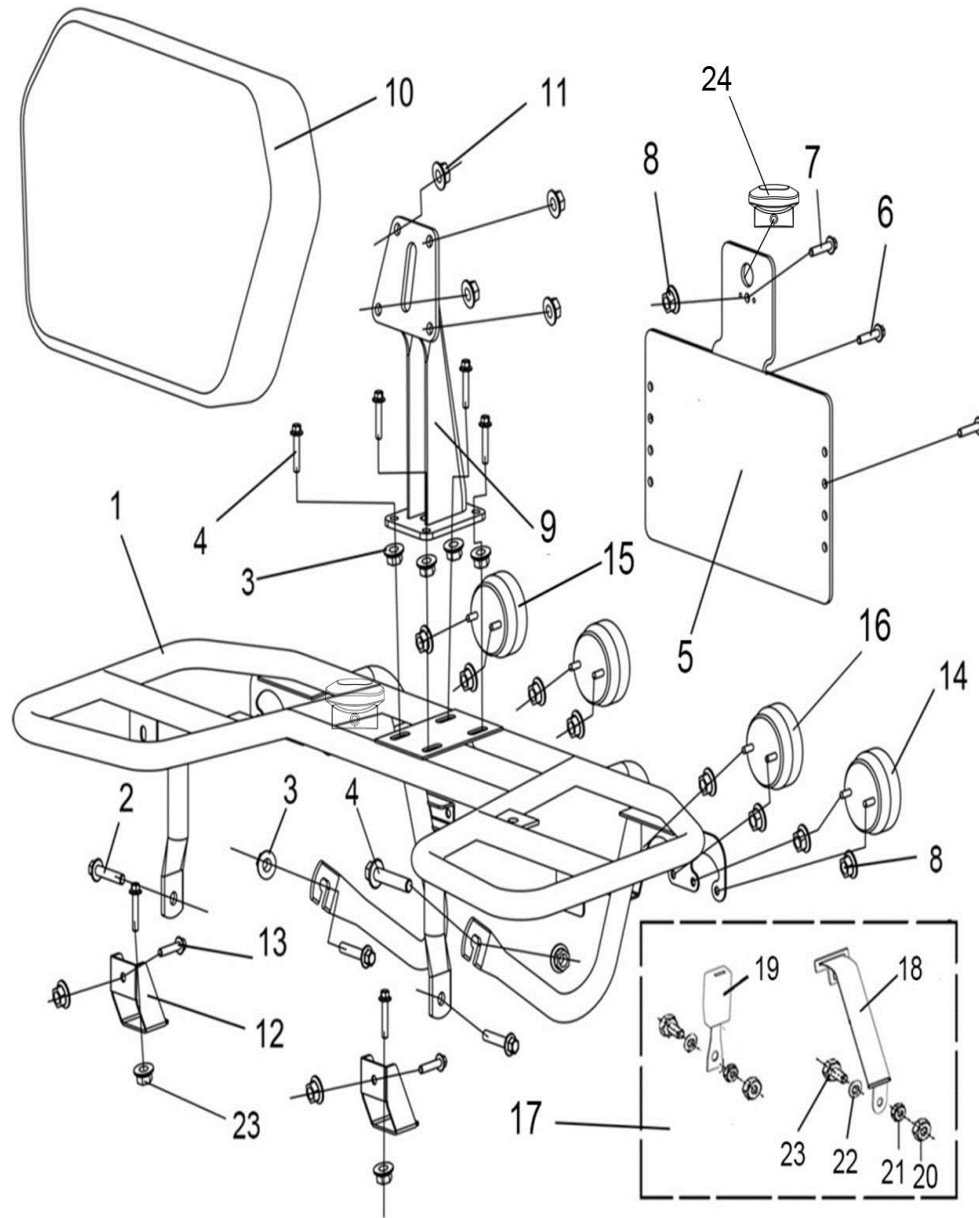
Ref. no	PL nr / art. no	Art.	Art. name	OE no	Antal / pcs
1	9034420	Bult	BOLT M6X12	10140B	5
2	9058034	Tankmätare set	FUEL UNIT SET ASSY	36836	1
3	9058035	Packning tankmätare	PLATE, UNIT SET	36837	1
4	9030701	Tanklock	FUEL CAP	70725	1
5	N/A		TUBE,FUEL CAP BREATHER	28095	1
6	9034625	Bult	BOLT M6X20	10110	4
7	9058036	Bussning	Fuel tank buffer sleeve 1	36065	4
8			Fuel tank buffer sleeve	36064	4
9	9058037	Bensintank	FUEL TANK	36753	1
10	9058038	Spill samlare	RUBBER PLATE	36078	1
11	9058039	Koppling	LINKER	60210	1
12	9058040	Utluftningsslang	Vent pipe	35501	1
13	N/A		CLAMP Ø12	20218	2
14	9058041	Bränsleslang	FUEL LINE	36756	2
15	N/A		CLIP2	622008	6
16	9034420	Bult	BOLT M6X12	10140B	1
17	9058042	Bensinhane	FUEL VALVE ASSY	60205	1
18	N/A		FUEL LINE 1	36757	1
19	9058043	Bensinfilter	FUEL FILTER	60207	1
20	N/A		FUEL LINE 2	36758	1
21	9058044	Kontraventil	ROLL OVER VALVE ASSY (OPTIION match with TUBE 4AB-24123	25037	1
22	N/A		TUBE (OPTIION match with ROLL OVER VALVE ASSY 3AU-2410	70734	1
23	9034161	Bricka	The right washer	24217	2
24	N/A		TANK GUARD	36886	2

FIG 11: RATTSTÅNG / STEERING COLUMN



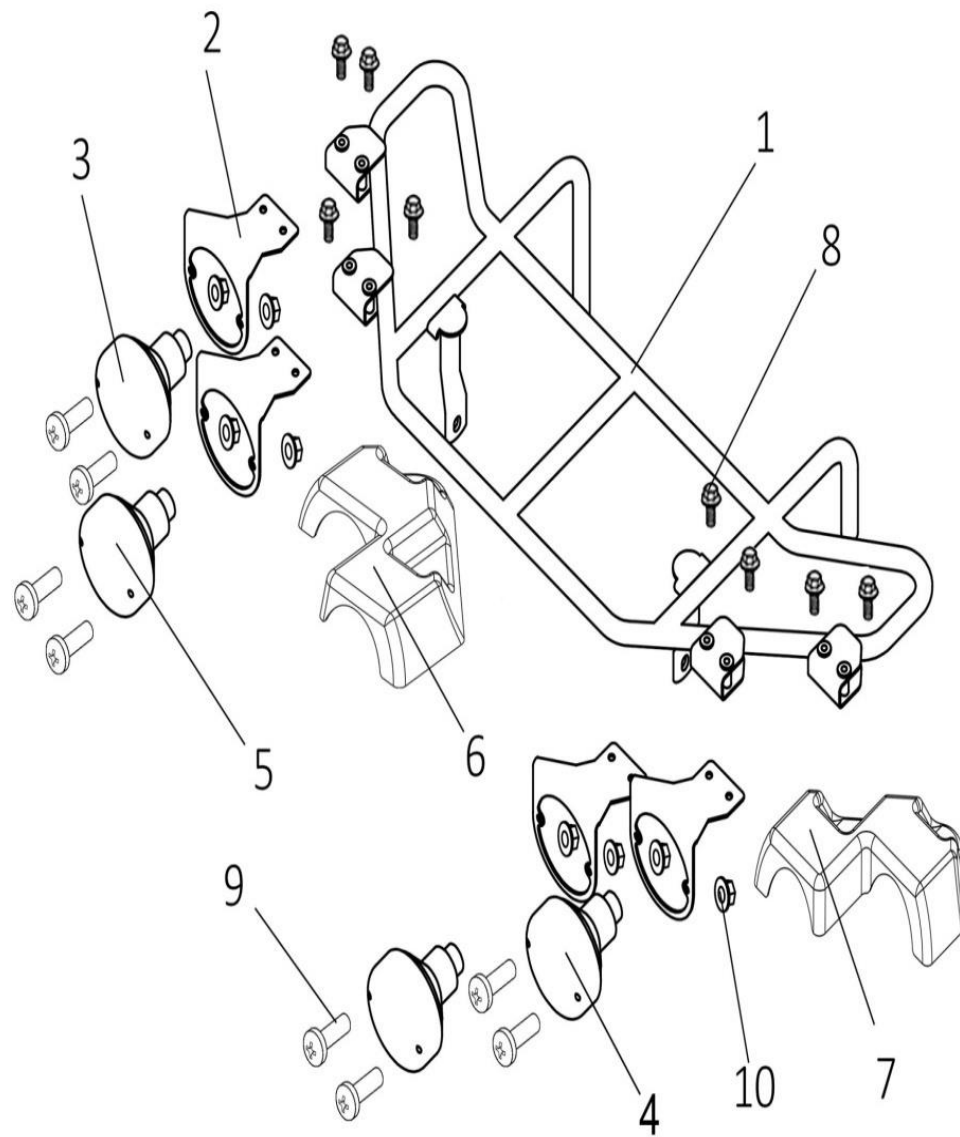
Ref. no	PL nr / art. no	Art.	Art. name	OE no	Antal / pcs
1	9058045	Styraxel lodrät	STEERING COLUMN	36715	1
2	9058046	Styraxel bussning	STEERING CLAMP 1	36744	1
3	9058047	Styraxel clamp	STEERING CLAMP 2	36743	2
4	N/A		BOLT M8X65	10419	2
5	9058048	O-ring 32X18X7	SEAL 32X18X7	60303	1
6	9058049	Låsring	SNAP RING	10148	1
7	N/A		BEARING 6002Z	10159	1
8	N/A		SPACER	60302	1
9	9058050	O-ring 35X22X7	SEAL 35X22X7	60301	1
10	9034762	Mutter	NUT M14X1.5	10091	1
11	9036799	Sprint	COTTER PIN 3.2X30	10993	1
12	9058051	Styrstag komplett	TIE ROD ASSY	36716	2
13	9058052	Styrstagsände höger	TIE ROD END RIGHT	36717	2
14	N/A		NUT M10	10657	2
15	N/A		TIE ROD	36719	2
16	N/A		NUT M10 LEFT	10657L	2
17	9058053	Styrstagsände vänster	TIE ROD END (LIFT)	36718	2
18	9031005	Mutter	NUT M10	10015	4
19	9036799	Sprint	COTTER PIN 2X20	10094	4
20	9033861	Bricka	WASHER 8	10106	2
21	9033859	Bricka	Washer 8	10068	2

FIG 12: BAGAGEHÅLLARE BAK / REAR RACK



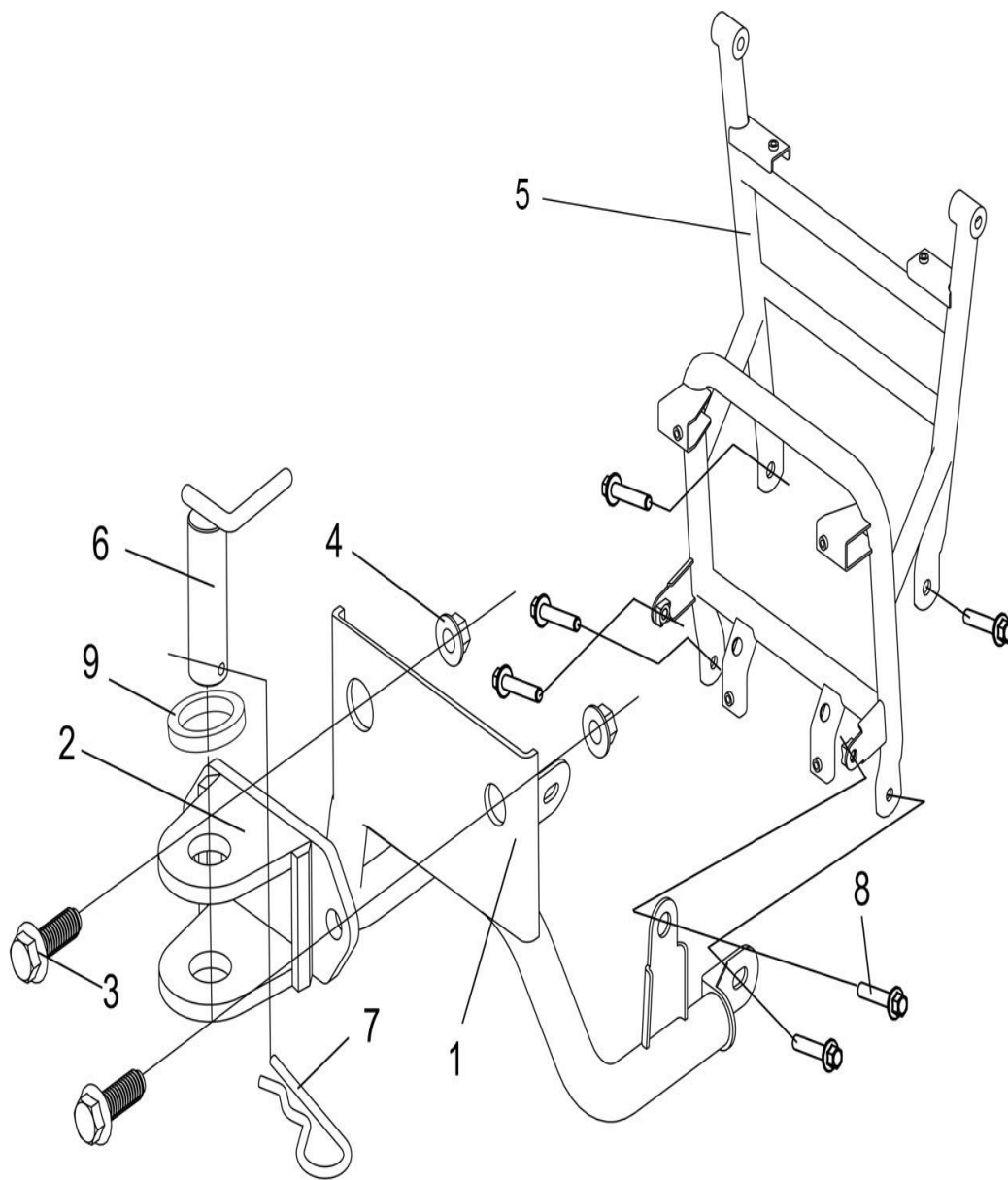
Ref. no	PL nr / art. no	Art.	Art. name	OE no	Antal / pcs
1	9058054	Bagagehållare bak	REAR RACK	36887	1
2	9034190	Bult	BOLT M8X1.25X16	10183	2
3	9033914	Mutter	NUT M8	10079	6
4	9033887	Bult	BOLT M8X25	10059	6
5	N/A		LICENCE LAMP MOUNTING PLATE	36888	1
6	9050221	Bult M6	BOLT M6X20	10127	2
7	9049181	Bult M5	BOLT M5	10201	1
8	N/A		NUT M5	11138	4
9	9057217	Ryggstöd bak	REAR BACKREST WELD ASSEMBLY	35384	2
10	9058055	Ryggstöd kudde	BACKREST	35721	1
11	N/A		LIDS NUT	10919	4
12	9058056	Bagagehållare stöd	REAR RACK SUBPANEL	36828	2
13	9050221	Bult	BOLT M6X20	10110	4
14	9049709	Blinkers bak vänster	TURN LEFT REAR LIGHT	73324	1
15	9049707	Blinkers bak höger	TURN RIGHT REAR LIGHT	73319	1
16	9049708	Baklykta röd	REAR LIGHT ASSEMBLY	73320	2
17	9058057	Säkerhetssele	SEAT BELT ASSEMBLY	84380	1
18	N/A		INTERMEDIATE SEAT BELT COMPONENTS	84382	1
19	N/A		INTERLOCKING ASSEMBLY	84381	1
20	9034609	Bult	BOLT 7/16x28	26916	2
21	9034610	Bricka	SPRING WASHER	26917	2
22	9034611	Bricka	LOCK WASHER	26918	2
23	9034612	Mutter	NUT	26919	2
24	9058058	Nummerskyltbelysning	REAR REGISTRATION PLATE LAMP	83459	1

FIG 13: BAGAGEHÅLLARE FRÄMRE / FRONT RACK



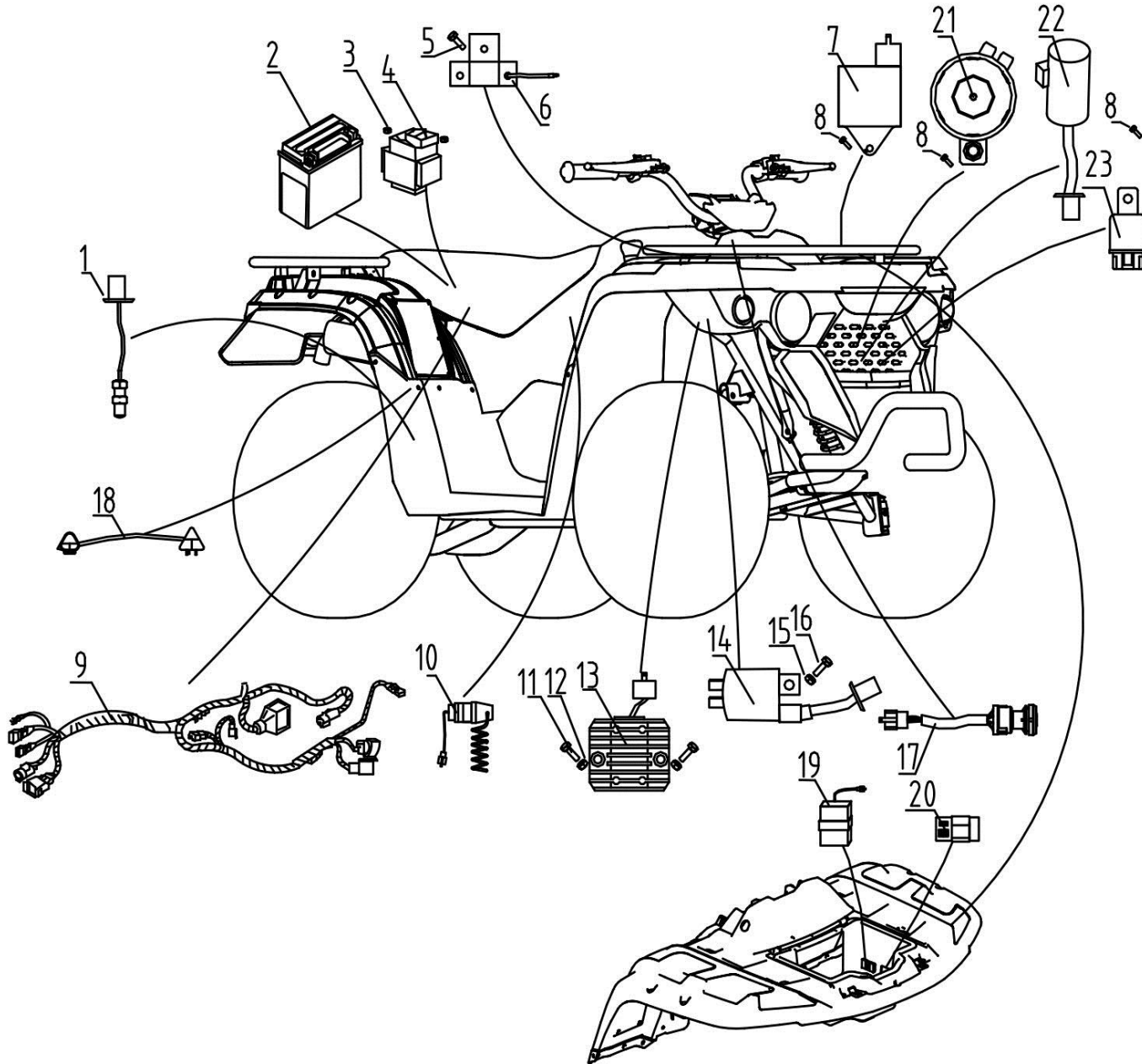
Ref. no	PL nr / art. no	Art.	Art. name	OE no	Antal / pcs
1	9058059	Bagagehållare front	FRONT RACK	36889	1
2	9058060	Monteringsplatta för blinkers	TURN LIGHT LAMP MOUNTING BRACKET	36890	4
3	9050388	Blinkers höger	RIGHT TURN LIGHT	83364	1
4	9050389	Blinkers vänster	LEFT TURN LIGHT	83365	1
5	9058061	Framlykta körljus	FRONT POSITION LAMP	83374	2
6	9058062	Framljushölje höger	TURN RIGHT FRONT LIGHT	36891	1
7	9058063	Framljushölje vänster	TURN LEFT FRONT LIGHT	36892	1
8	9034139	Bult	BOLT M6X30	10182B	8
9	N/A		BOLT M5X20	11139	8
10	N/A		NUT M5	10109	8

FIG 14: KOFÅNGARE, FRÄMRE / FRONT BUMPER



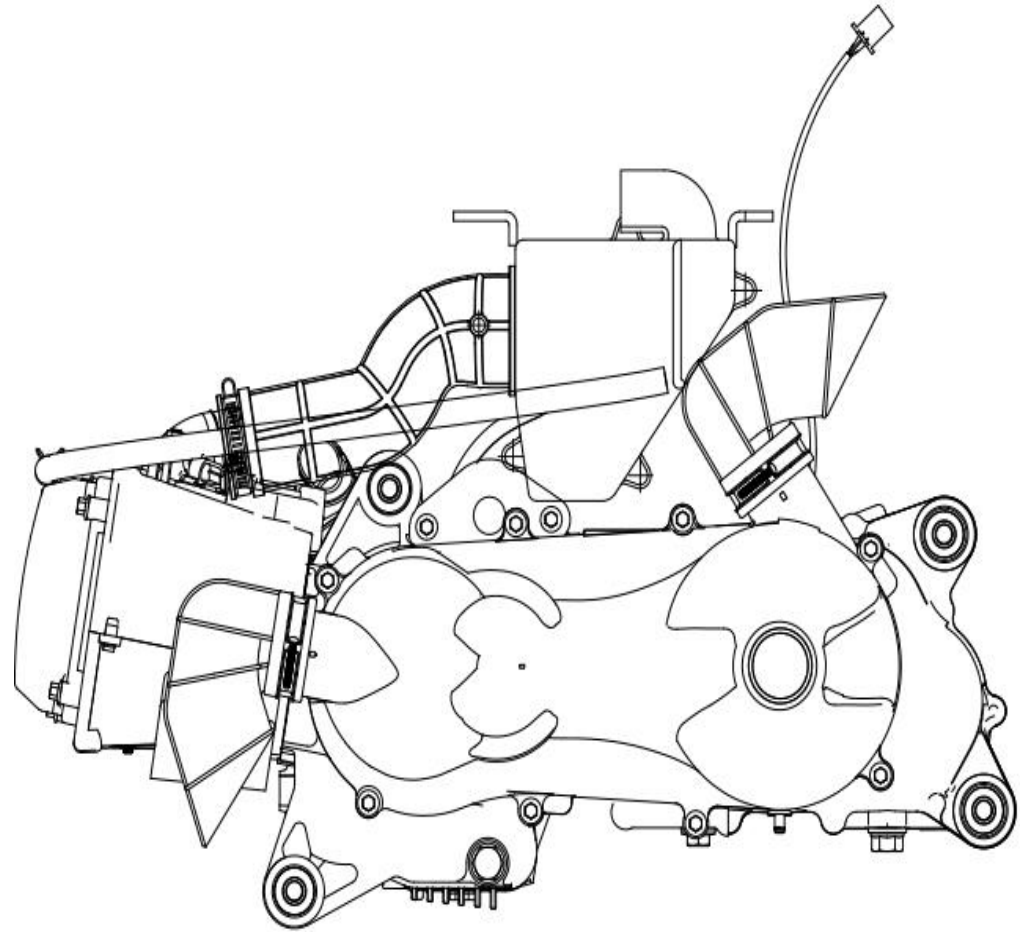
Ref. no	PL nr / art. no	Art.	Art. name	OE no	Antal / pcs
1	9058064	Kofångare, fram	FRONT BUMPER	36893	1
2	9058065	Dragkrok	FORMER DRAG HOOKS	36894	1
3	N/A		BOLT M16X45	10933	1
4	9050210	Mutter	NUT M16	10874	2
5	9058066	Hållare kofångare	FORMER GUARD BAR	36823	1
6	N/A		EX TRACTION PINS	36895	2
7	N/A		R TYPE SPLIT PINS 6X115	10862	
8	9050231	Bult	BOLT M8X20	10814	
9	9058067	Gummidämpare		84231	

FIG 14A: ELEKTRISKA SYSTEMET / ELECTRICAL SYSTEM



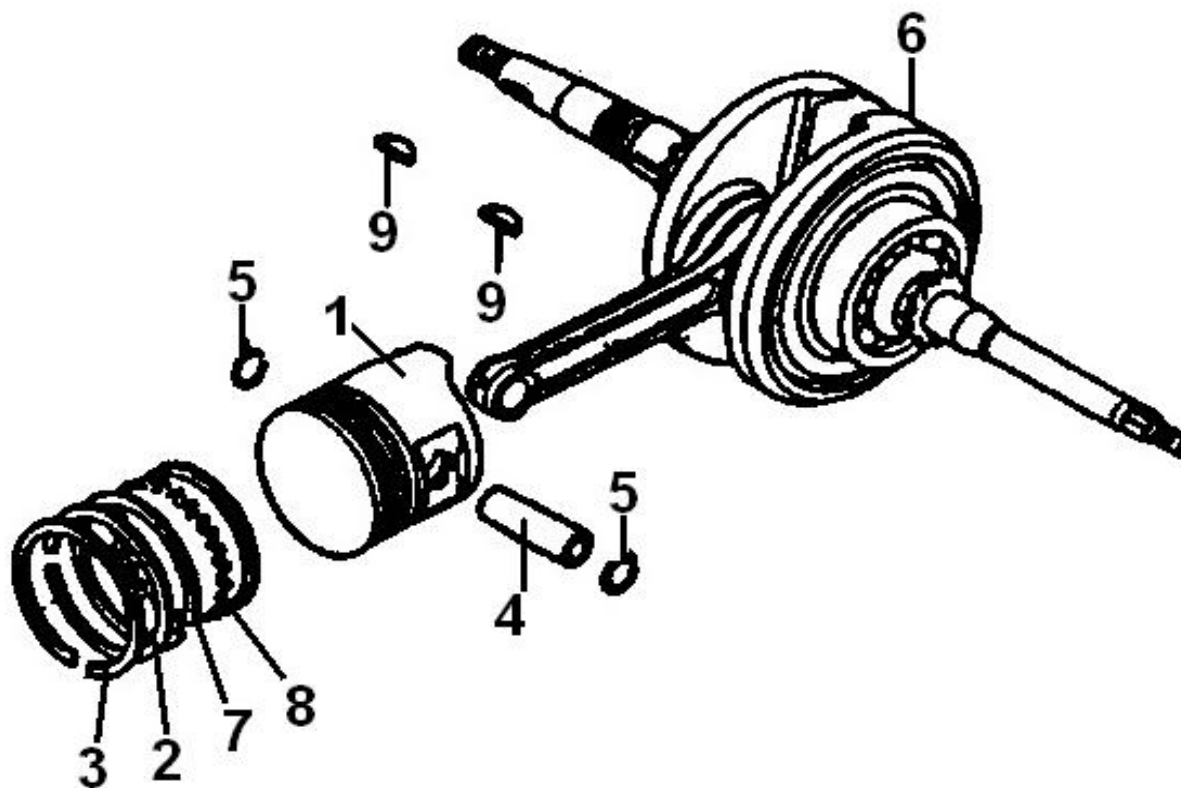
Ref. no	PL nr / art. no	Art.	Art. name	OE no	Antal / pcs
1	9049757	Hastighetsändare	SPEED TRANSMITTER	73435	2
2	N/A		BATTERY	29680	1
3	9033865	Mutter	NUT M6	10004	2
4	9058068	Startrelä	STARTER RELAY	29143	1
5	9024420	Bult	BOLT M6X12	10140B	1
6	9030032	Motstånd	RESISTANCE	32044	1
7	9058069	Hastighetsbegränsare	Speed governor	36833	1
8	9034190	Bult	BOLT M6X16	10183	3
9	9058070	Kabelhärva	WIRING HARNESS	36896	1
10	9058071	Choke	CHOKE	61203	1
11	9034190	Bult	BOLT M6X16	10183	2
12	9033865	Mutter	NUT M6	10004	2
13	9058072	Laddrelä	REGULATOR RECTIFIER	36897	1
14	9058073	Tändspole inkl. tändhatt	IGNITION COIL AND WIRE	2531583	1
15	9033865	Mutter	NUT M6	10004	1
16	9034625	Bult	BOLT M6X20	10110	1
17	9058074	Tändningslås	IGNITION SWITCH	60105	1
18	9058075	Ledningsnät växelindikator	GEAR SENSOR HARNESS	36829	1
19	9029661	Backlarm	REVERSE GEAR WARNING	32038	1
20	9058076	Tändspole inkl. tändhatt	IGNITION COIL AND WIRE	2531584	1
21	N/A		HORN	384011	1
22	9058077	Blinkers relä	FLASHER WARNING	26456	1
23	9049388	Startrelä	STARTER RELAY	71602	1

FIG 15: MOTOR / ENGINE



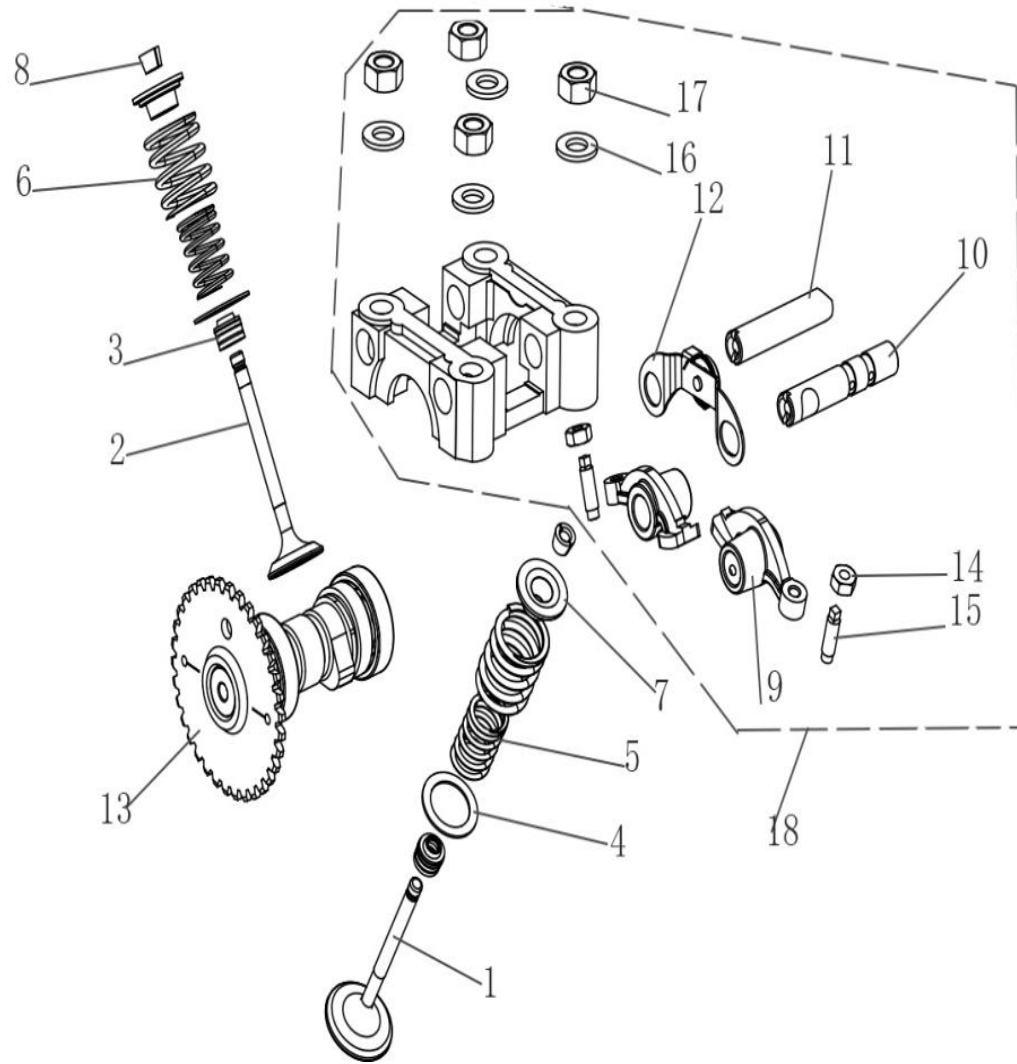
Ref. no	PL nr / art. no	Art.	Art. name	OE no	Antal / pcs
1	9058078	Motor komplett	Engine Assembly(Only for T3)	36898	1

FIG 16: VEVAXELANSLUTNINGSTÅNG / CRANKSHAFT CONNECTION ROD



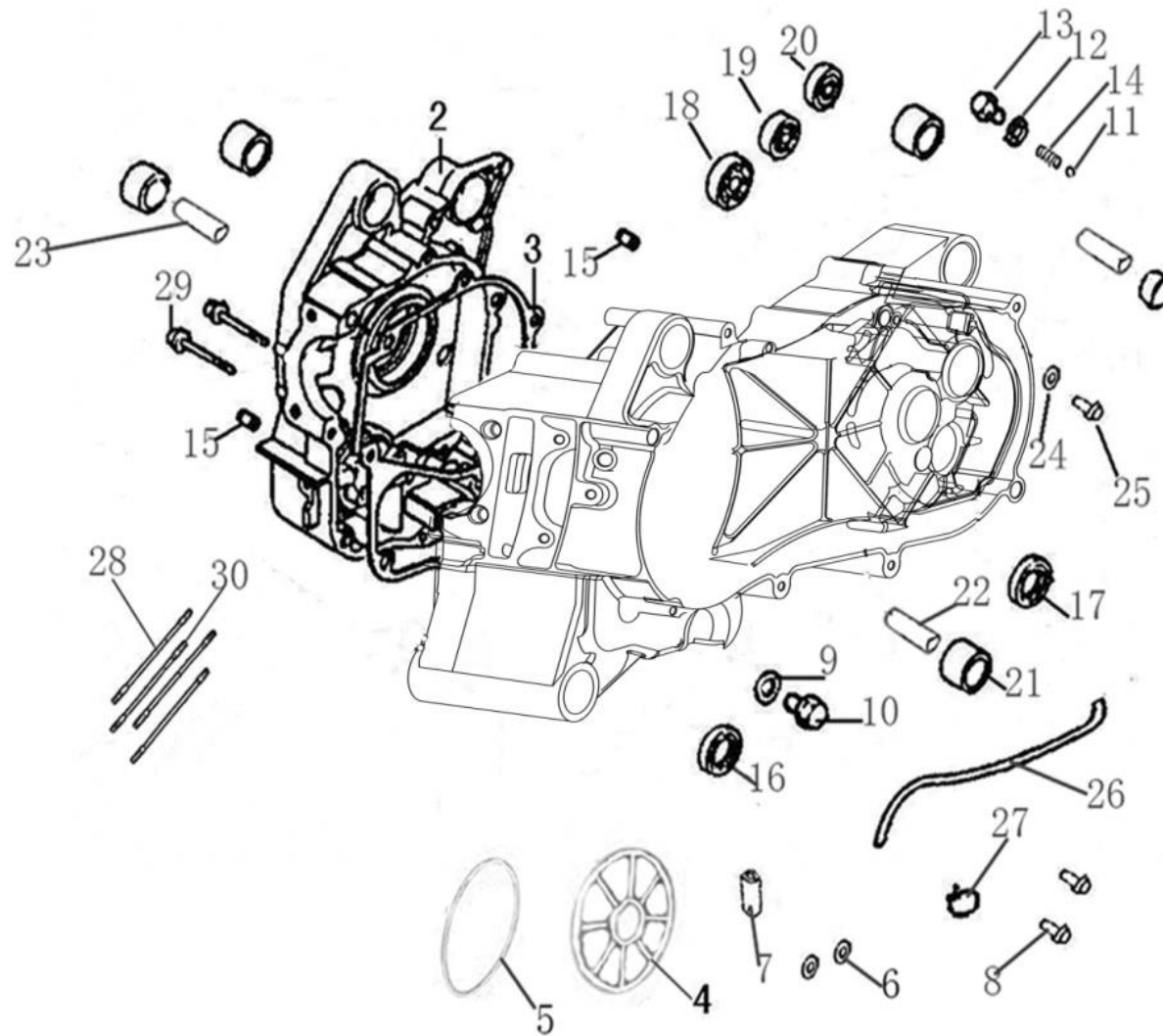
Ref. no	PL nr / art. no	Art.	Art. name	OE no	Antal / pcs
1	9058079	Kolv 150cc	PISTON (150cc)	2531573B	1
2	9058080	Kolvring nr 2	THE SECOND GAS RING (150cc)	1309256B	1
3	9058081	Kompressionsring	THE FIRST GAS RING (150cc)	1309258B	1
4	9058082	Kolvstift	PIN PISTON (150cc)	2531575	1
5	9058083	Låsring	CLIP PISTON PIN	2531540	2
6	9058084	Vev	CRANK SHAFT &CONNECTING ROD	36601	1
7	9058085	Oljering	OIL RING (150cc)	1309260B	2
8	9058086	Kolvring nr 2	WAVE RING (150cc)	1309262B	1
9	9058087	Kil	KEY WOODRUFF 4x14	36602	2

FIG 17: VEVAXELVENTIL / VALVE TIMING MECHANISM



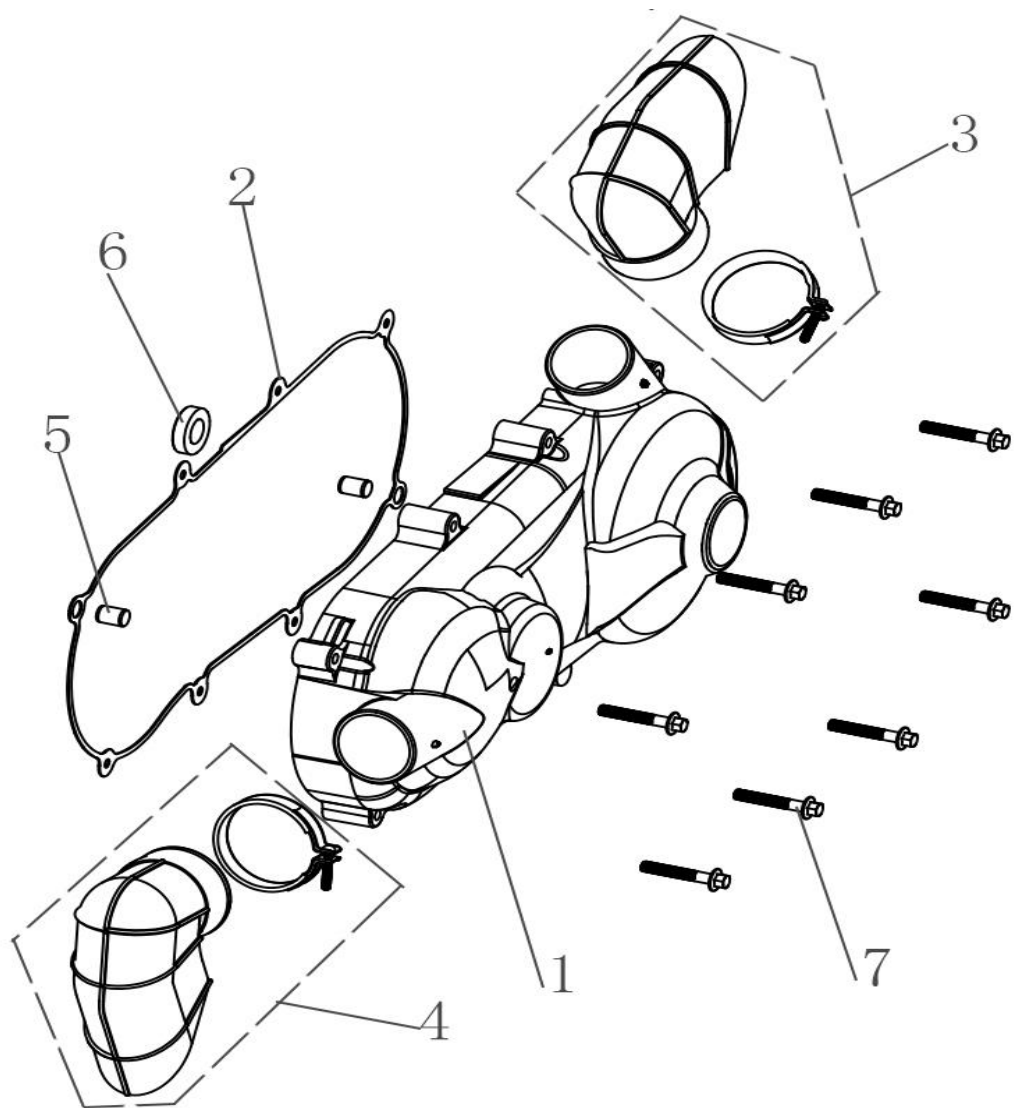
Ref. no	PL nr / art. no	Art.	Art. name	OE no	Antal / pcs
1	9058088	Insugningsventil	Inlet Valve	2531577B	1
2	9058089	Avgasventil	Exhaust Valve	2531576B	1
3	9058090	Ventilstyrpackbox	Seal Valve Stem	50015	2
4	N/A		Seat,Valve Spring	50014	2
5	N/A		Spring Valve Inner	2531539	2
6	N/A		Spring Valve Outer	2531538	2
7	N/A		Retainer Valve Spring	50011	2
8	9058091	Ventillås	Valve Cotter	50010	4
9	N/A		Rocker Arm Shaft Set	2531011B	2
10	N/A		Intake Rocker Shaft	2531008	1
11	N/A		Exhaust Rocker Shaft	2531010	1
12	N/A		Caging Plate	2531009	1
13	9058092	Vevaxel	Camshaft Comp	2531079	1
14	N/A		Nut Tappet Adjusting	26125	2
15	N/A		Screw Tappet Adjusting	26126	2
16	N/A		Washer M8	1309156	4
17	N/A		Nut Flang M8	26240	4
18	9058093	Vevaxel komplett	Holder Camshaft Assy (For 150cc)	2531607B	1

FIG 18: VEVHUS HÖGER/VÄNSTER / CRANKCASE, RIGHT/LEFT



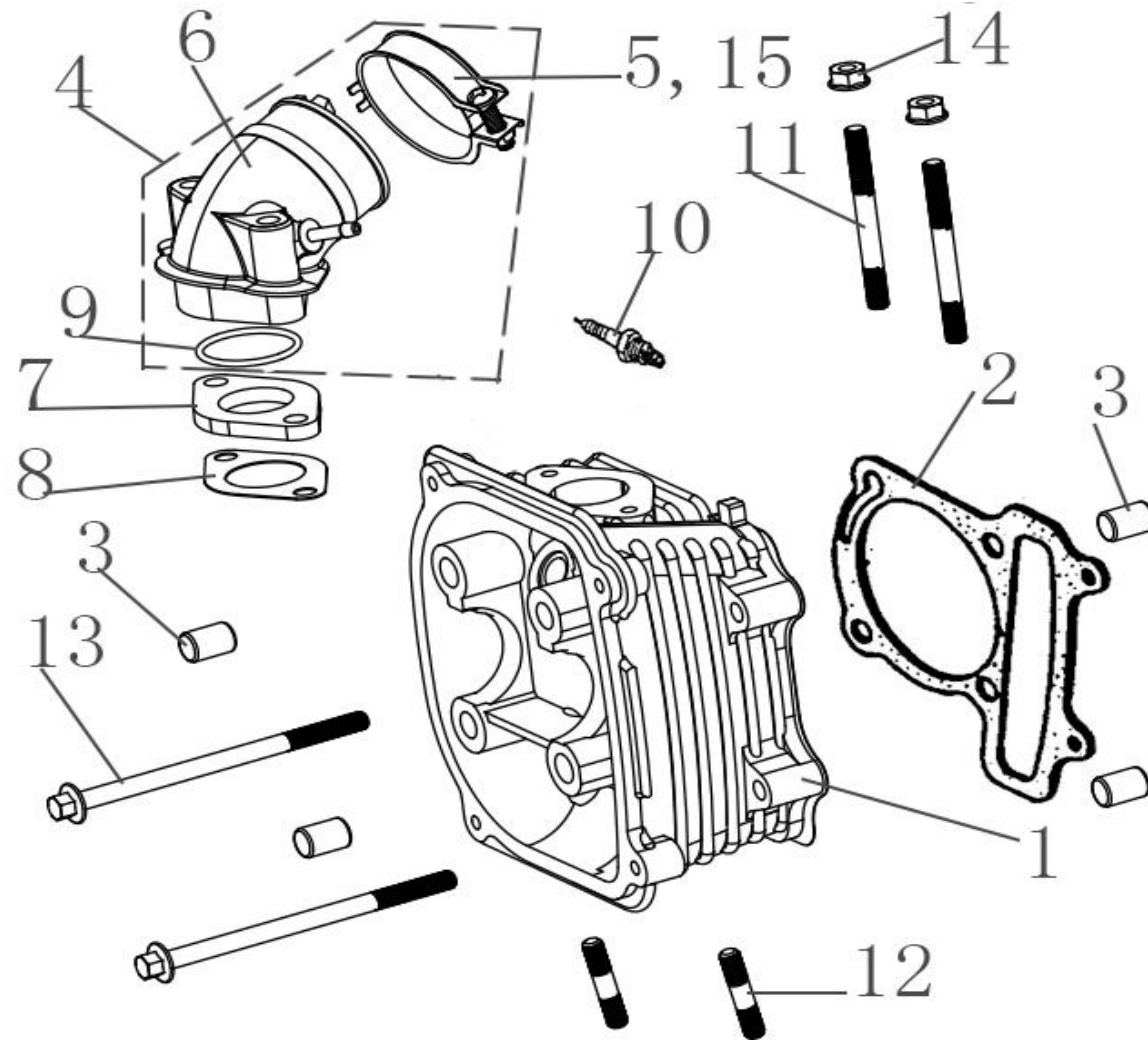
Ref. no	PL nr / art. no	Art.	Art. name	OE no	Antal / pcs
1	N/A		Crankcase, LH	36640	1
2	N/A		Crankcase, RH	36641	1
3	9058094	Packning vevhus	Gasket Crankcase	36642	1
4	9058095	Skydd	Cover	36661	1
5	9058096	O-ring 107x2	O-Ring 107x2	36643	1
6	9058097	O-ring 6x1,8	O-Ring 6x1.8	36660	2
7	N/A		Ventilation Pipe	36644	1
8	N/A		Bolt M6x18	10191	2
9	N/A		Washer 12	36645	1
10	N/A		Bolt M12x1.5x16	36646	1
11	9058098	Stålkula	Steel Ball SØ10.319	10998	1
12	N/A		Washer 14.2x22x1.3	36647	1
13	9058099	Styrbult	Locating Bolt M14x20.8	36648	1
14	N/A		Positioning Spring	36649	1
15	9058100	Styrtapp	Dowel Pin 8x14	50076	2
16	N/A		Oil Seal 19.8x30x5	36650	1
17	N/A		Oil Seal 20x32x6	36651	1
18	9036036	Kullager	Ball Bearing 6204	10062	1
19	9038573	Kullager	Ball Bearing 6203	10199	1
20	9038570	Kullager	Ball Bearing 6202	10849	1
21	9058101	Motorfäste	Engine Hanger Bush	36652	6
22	9058102	Bussning motorfäste bak	Hanging Pipe Shaft,Behind	36653	2
23	9058103	Bussning motorfäste fram	Hanging Pipe Shaft,Front	36654	1
24	N/A		Washer 6x18x1.6	36655	1
25	N/A		Bolt M6x12	10187	1
26	N/A		Waste Pipe Set	36656	1
27	N/A		Clamp 11.5	36657	1
28	N/A		Bolt,Cylinder Stud M8x196	36658	2
29	N/A		Bolt M6x50	10349	2
30	N/A		Bolt,Cylinder Stud M8x187.5	36659	2

FIG 19: SIDOSKYDD VÄNSTER / CRANKCASE COVER, LEFT



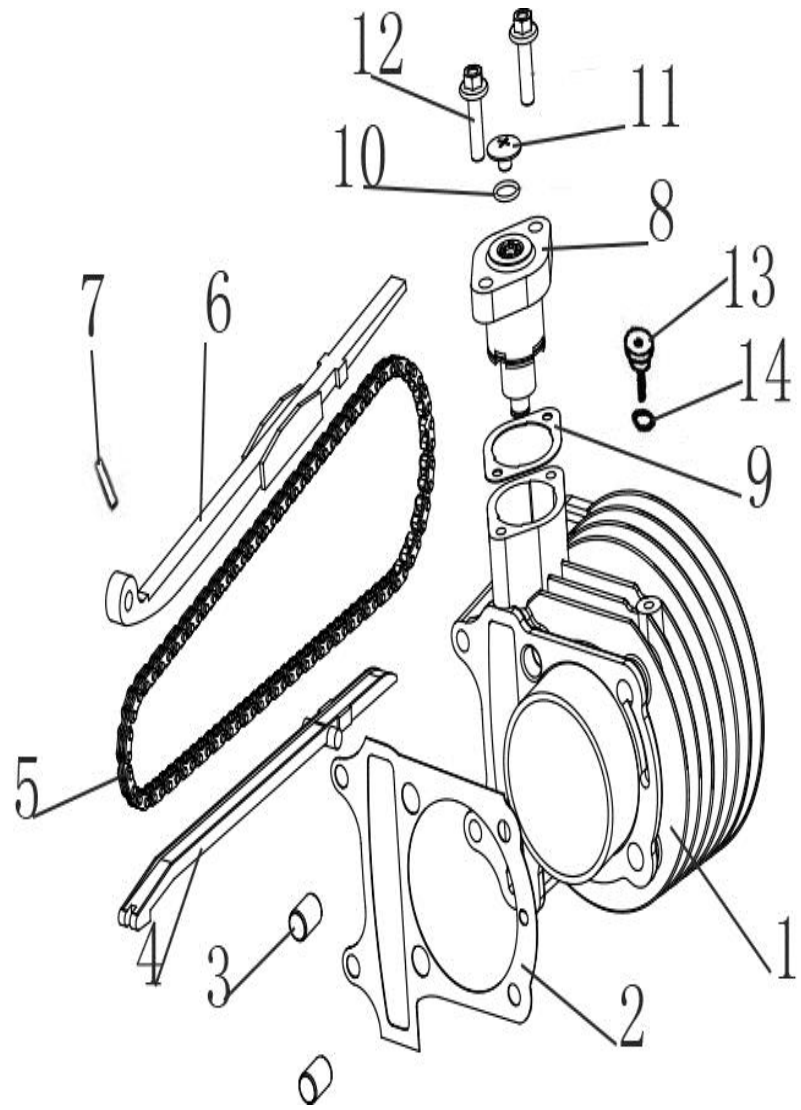
Ref. no	PL nr / art. no	Art.	Art. name	OE no	Antal / pcs
1	9058104	Skydd CVT vänster	Crankcase Cover,LH	36662	1
2	9058105	Packning sidolock	Gasket, Crankcase Cover, LH	36663	1
3	9058106	Utluftning CVT bak	Aspiration Channel Assy, B	36664	1
4	9058107	Utluftning CVT fram	Aspiration Channel Assy, A	36665	1
5	N/A		Dowel Pin 10×14	35094	2
6	9055307	Kullager	Ball Bearing 6200-2RZ	11001	1
7	N/A		Bolt M6×40	10177W	8

FIG 20: CYLINDERHUVUD / CYLINDER HEAD



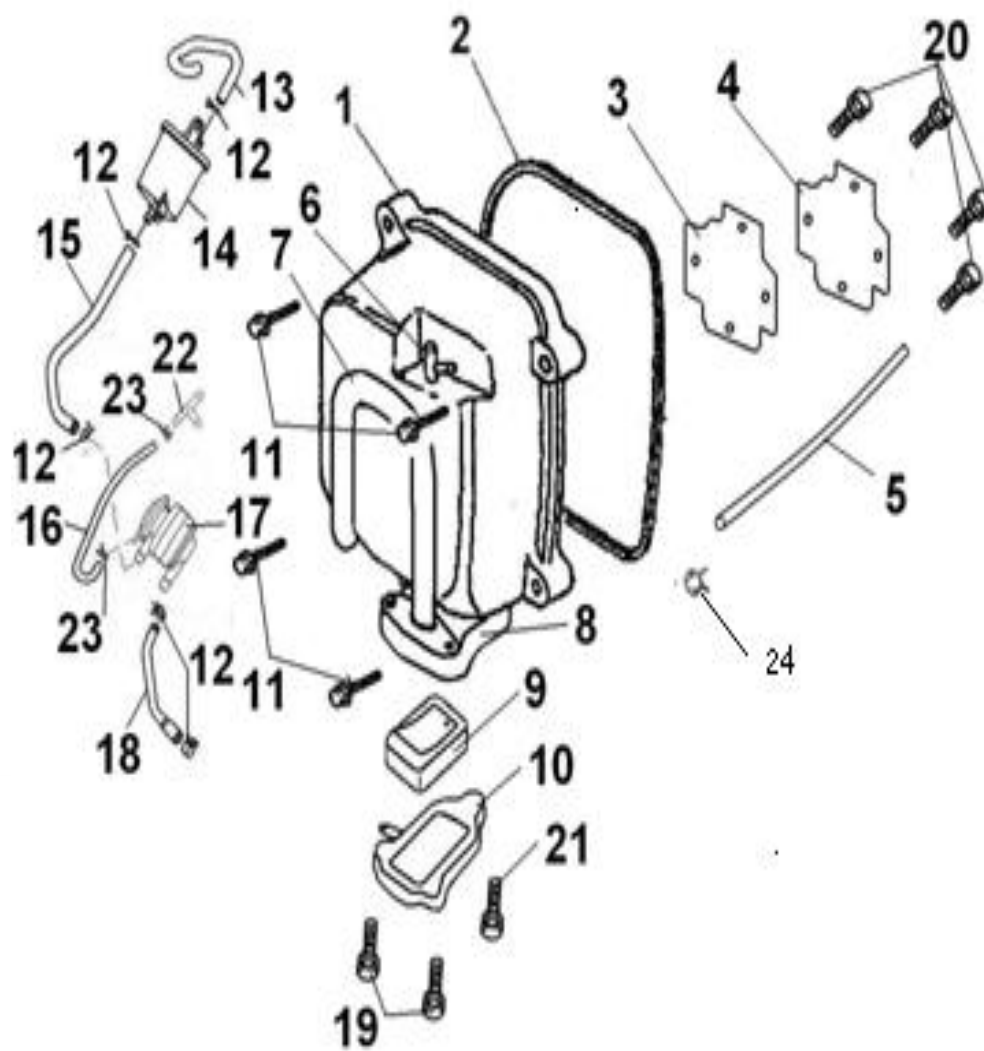
Ref. no	PL nr / art. no	Art.	Art. name	OE no	Antal / pcs
1	9058108	Cylinderhuvud	Cylinder Head (For 150cc)	1309163	1
2	9058109	Topplöckspackning	Gasket Cylinder Head (For 150cc)	2531016B	1
3	N/A		Dowel Pin 10×16	2531017	1
4	9058110	Insugningsrör	Inlet Pipe	2531608	1
5	N/A		Band Insulater	2531549	1
6	N/A		Pipe Comp In	2531548	1
7	N/A		Insulator Carburetor	2531015	1
8	N/A		Gasket Carburetor Insulator	2531527	1
9	9029780	O-ring 26,5x1,8	O-RING 26.5X1.8	10321	1
10	9058111	Tändstift	Spark Plug	29535	1
11	9058112	Bult M6X50	BOLT 2 STUD M6X50	10166	2
12	9058113	Bult M6X35	BOLT 2 STUD M6X35	1309158	2
13	N/A		Bolt M6×100	10196	2
14	9050206	Mutter	Nut M6	22002	2
15	N/A		Screw 4X25	10372	1

FIG 21: CYLINDER / CYLINDER



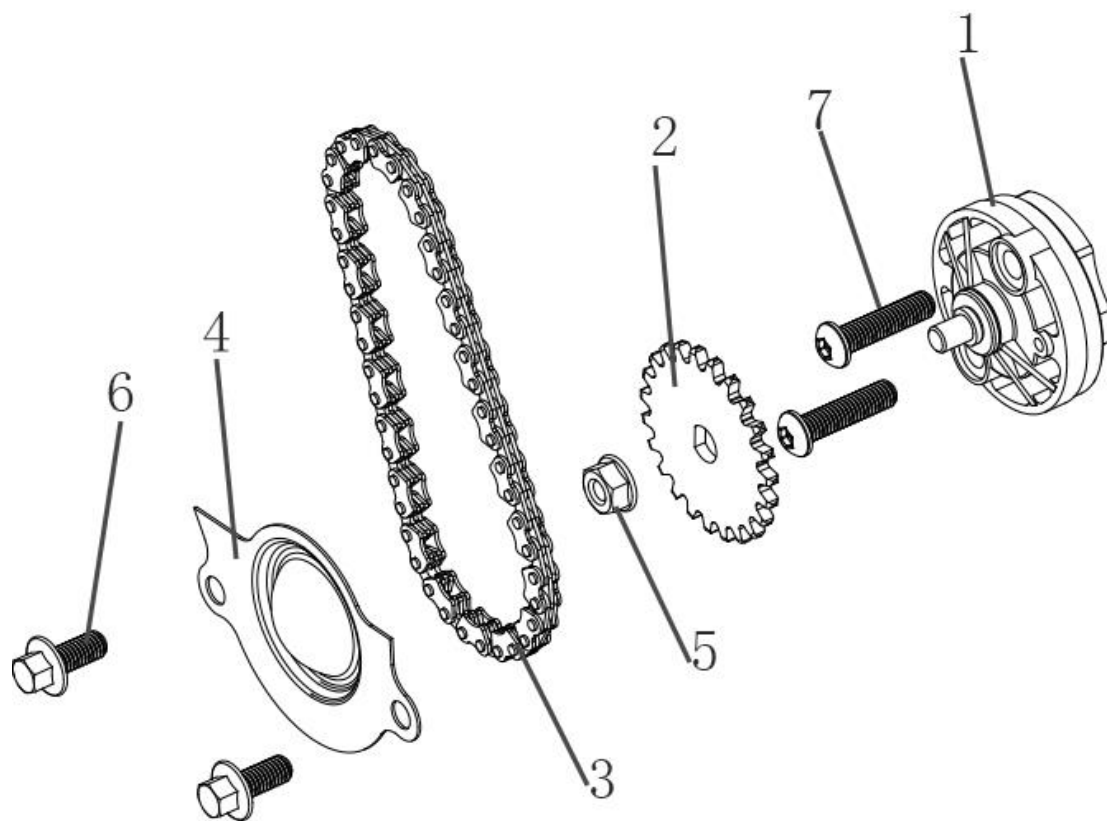
Ref. no	PL nr / art. no	Art.	Art. name	OE no	Antal / pcs
1	9058114	Cylinder	Cylinder Comp (For 150cc)	29152	1
2	9058115	Cylinderpackning	Gasket Cylinder (For 150cc)	2531531B	1
3	N/A		Dowel Pin 10×16	2531017	1
4	9058116	Kedjestyrning	The Chain Guide Plate	36604	1
5	9058117	Kamkedja	Timing Chain	36605	1
6	9058118	Kedjestramare	Tension Plate	36606	1
7	N/A		Tension Rod Fixed Pin	36607	1
8	9058119	Kedjespännare	Tensioner Assy	36608	1
9	9058120	Packning kedjespännare	Gasket,Tensioner	36609	1
10	9058121	O-ring 9,5X1,5	O-Ring 9.5×1.5	36600	1
11	N/A		Bolt,Tension Plate	36610	1
12	N/A		Bolt M6×22	10278	2
13	N/A		Bolt FlangE6X12	10140B	1
14	N/A		Washer Sealing 6.5MM	1309254	1

FIG 22: CYLINDERSKYDD / COVER, CYLINDER HEAD



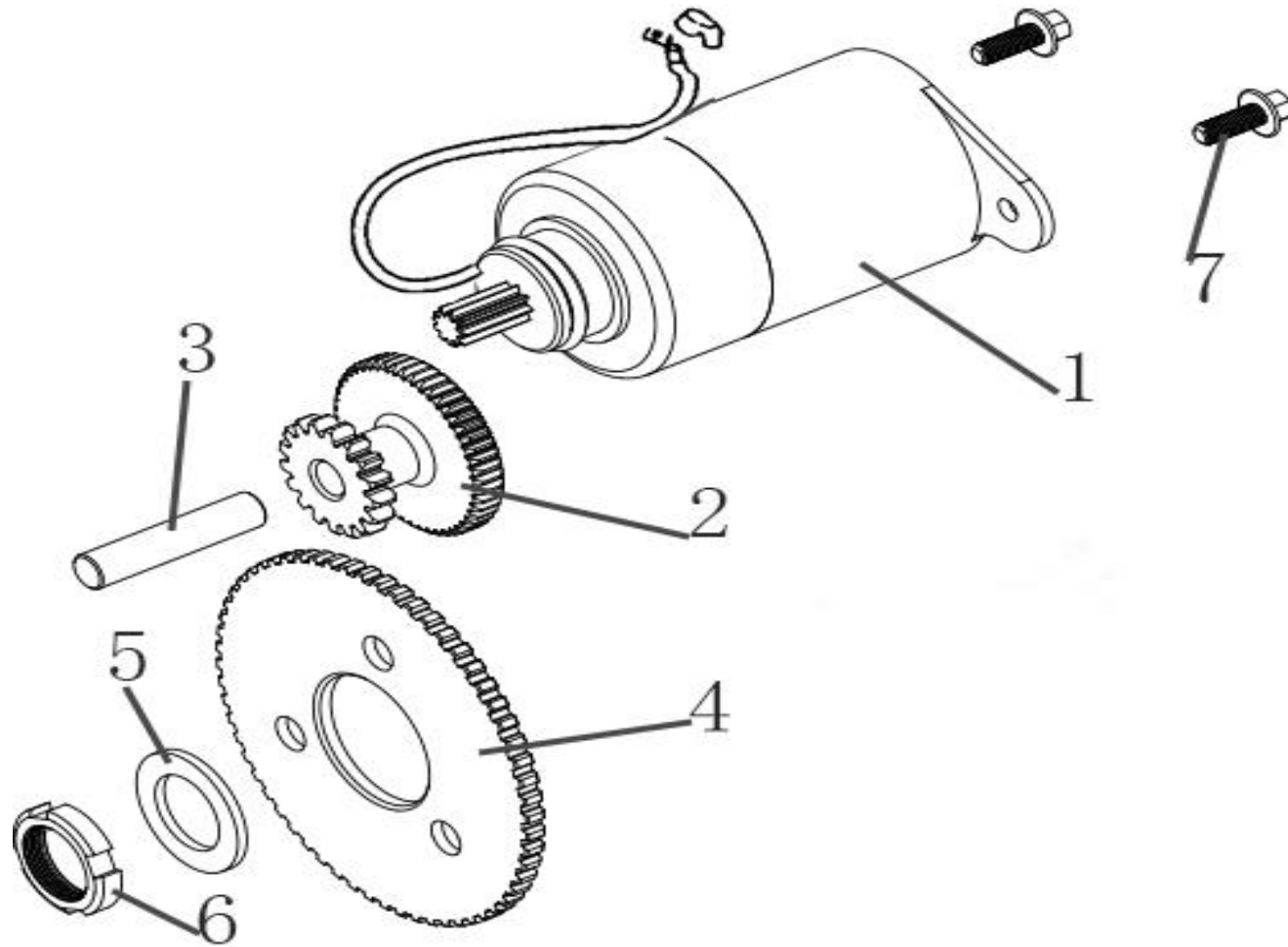
Ref. no	PL nr / art. no	Art.	Art. name	OE no	Antal / pcs
1	9058122	Ventilskydd	COVER COMP HEAD	29561	1
2	9058123	Packning ventilskydd	GASKET HEAD COVER	2531546	1
3	N/A		AERATION HEAD COVER	29578	1
4	N/A		AERATION CAP	29574	1
5	N/A		TUBE BREATHER	2531589	1
6	N/A		TIE-IN	2531003	1
7	N/A		AERATION TUBE ASSY	50358	1
8	N/A		WASHER	50373	1
9	N/A		AERATION WASHER 2	50359	1
10	N/A		WALVE ASSY	50360	1
11	N/A		BOLT M6X25	10187W	4
12	N/A		CLIP 16	43519	5
13	N/A		HOSE BEND A	43518	1
14	9058124	PCV-ventil	AIR FILTER CASE ASSY	43523	1
15	N/A		HOSE BEND B	50383	1
16	N/A		HOES A	50362	1
17	9058125	PCV vacuumventil	AIR INDUCTION SYSTEM ASSY	2603214	1
18	N/A		HOSE BEND B	29213	1
19	N/A		BOLT M6X40	10177W	2
20	N/A		SCREW M4X6	10165	4
21	N/A		BOLT M6X25	10187W	1
22	N/A		TRI-CONNECTER	2603215	1
23	N/A		CLIP 7	2603211	4
24	N/A		Clip	36603	1

FIG 23: OLJEPUMP / OIL PUMP



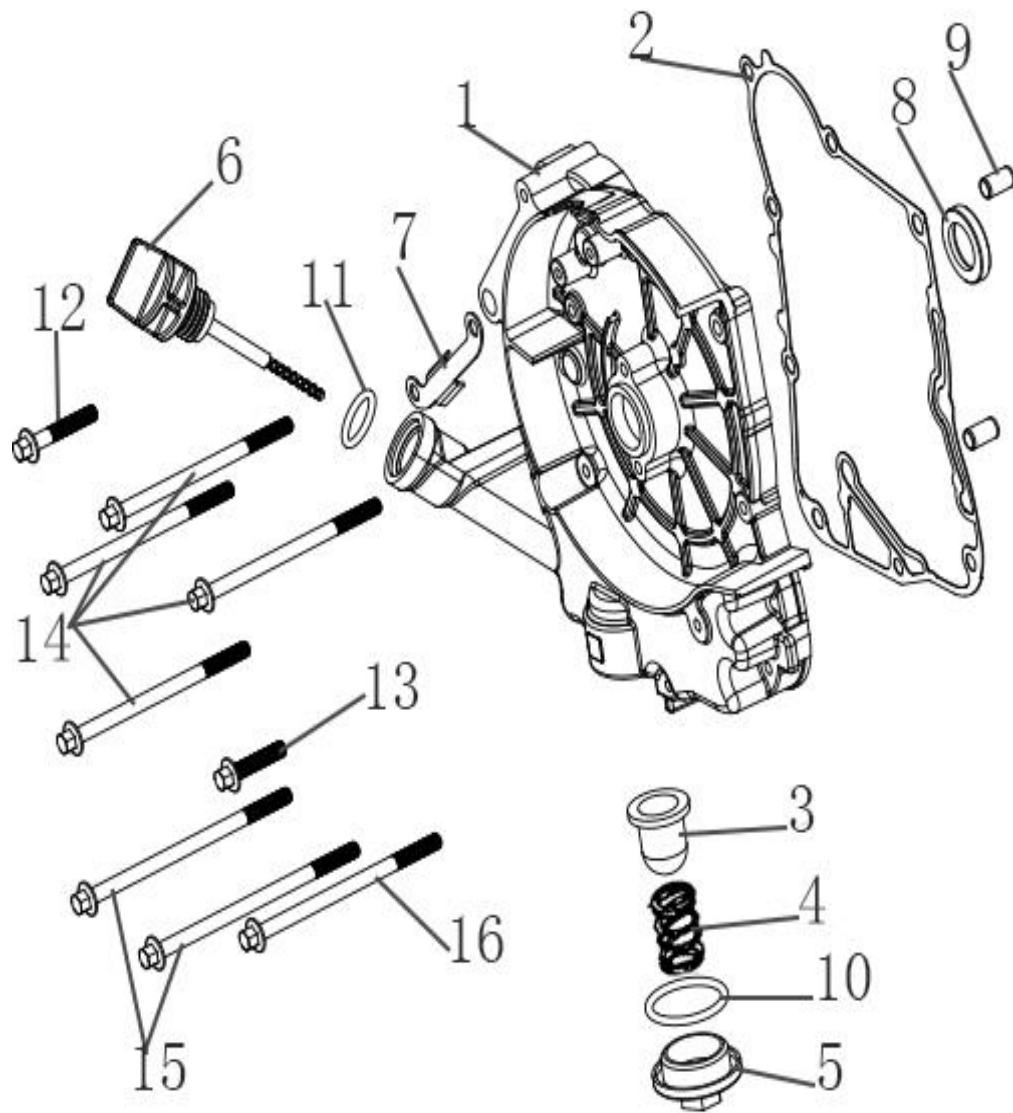
Ref. no	PL nr / art. no	Art.	Art. name	OE no	Antal / pcs
1	9058126	Oljepump	Oil Pump Assy	36619	1
2	9058127	Kedjehjul oljepump	Gear,Oil Pump	36620	1
3	9058128	Kedja oljepump	Chain,Oil Pump	36621	1
4	N/A		Cover	36622	1
5	9034553	Mutter	Nut M6	10103	1
6	N/A		Bolt M6×14	10210	2
7	N/A		Bolt M6×25	10946	2

FIG 24: STARTMOTOR / STARTING MOTOR



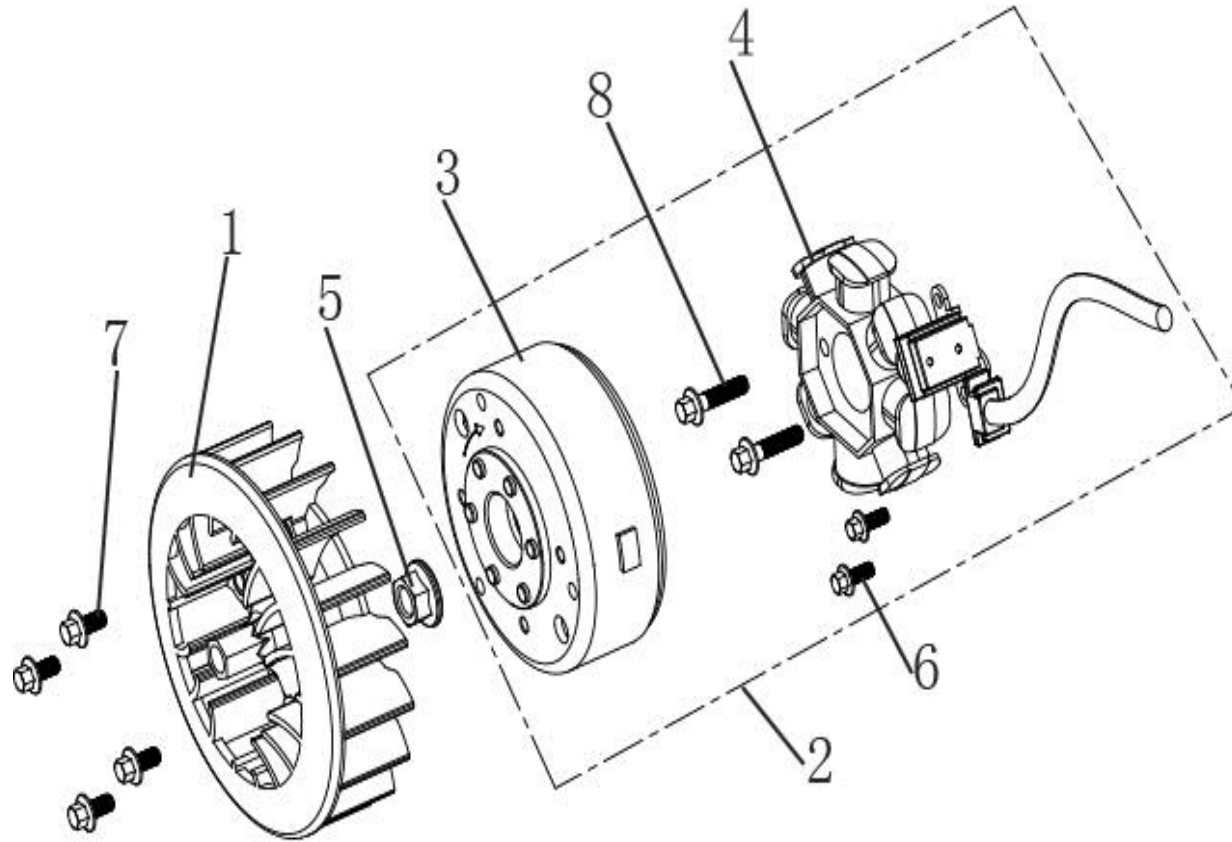
Ref. no	PL nr / art. no	Art.	Art. name	OE no	Antal / pcs
1	9058129	Startmotor	Start Motor	36678	1
2	N/A		Gear Idler	36679	1
3	N/A		Shaft	36680	1
4	N/A		Starting Clutch Assy	36681	1
5	N/A		Washer 22×31×2.5	36682	1
6	N/A		Nut M22×1	36683	1
7	9034190	Bult	Bolt M6×16	10183	2

FIG 25: SIDOSKYDD HÖGER / CRANKCASE COVER, RIGHT



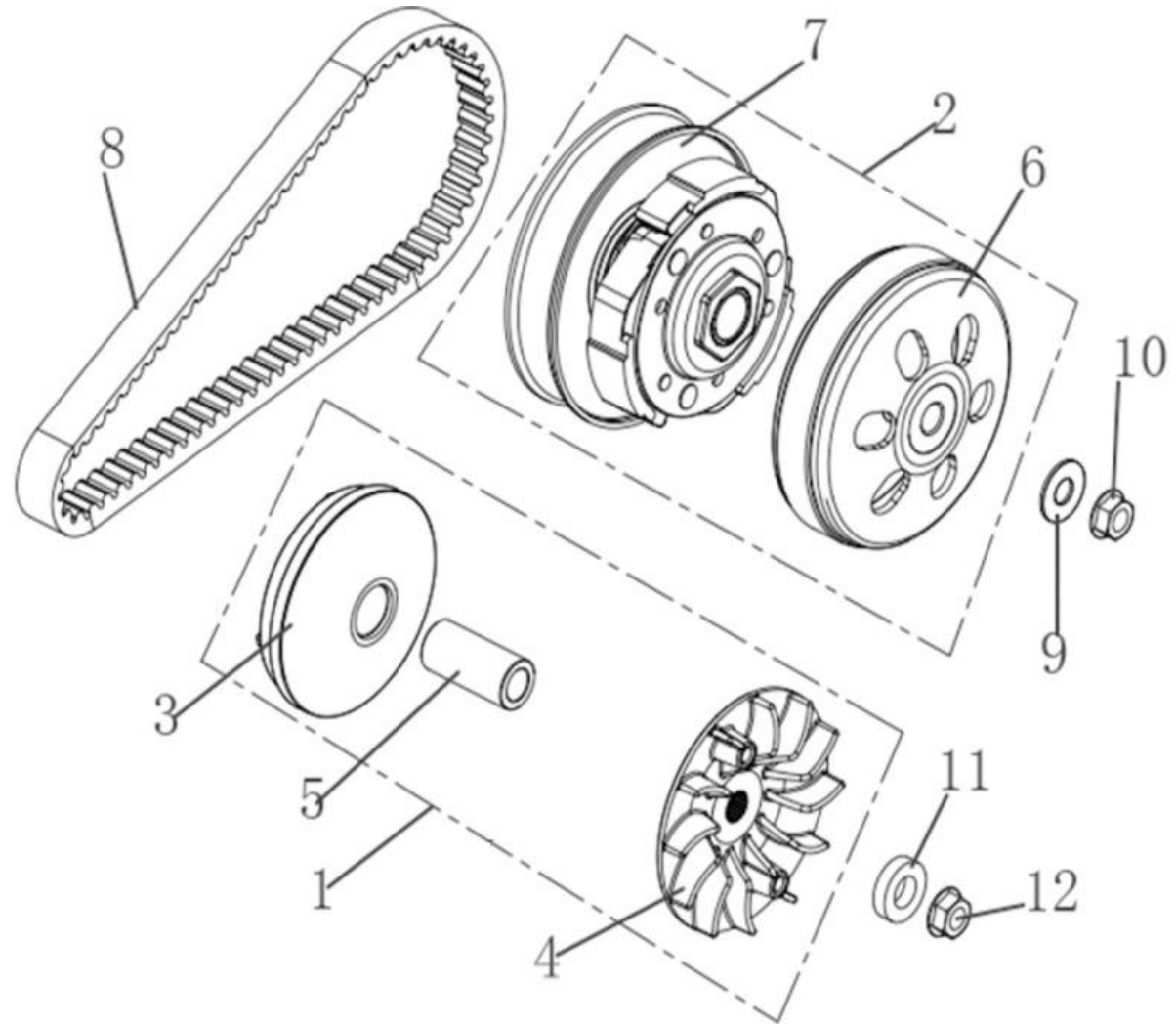
Ref. no	PL nr / art. no	Art.	Art. name	OE no	Antal / pcs
1	N/A		Crankcase Cover, RH	36674	1
2	N/A		Gasket, Crankcase Cove, RH	36675	1
3	N/A		Oil Filter Screen	36623	1
4	N/A		Oil Filter Screen Spring	36624	1
5	N/A		Cover, Oil Filter Screen	36625	1
6	N/A		Dipstick	36626	1
7	N/A		Clamper A.C.Genrator Cord	36711	1
8	N/A		Oil Seal 19.8×30×5	36650	1
9	N/A		Dowel Pin 8×14	50076	2
10	N/A		O-Ring 30.8×3.2	36627	1
11	N/A		O-Ring 18×3	36628	1
12	N/A		Bolt M6×35	10186W	1
13	N/A		Bolt M6×28	11006	1
14	N/A		Bolt M6×95	11007	4
15	N/A		Bolt M6×110	27208	2
16	N/A		Bolt M6×100	10196	1

FIG 26: GENERATOR / GENERATOR



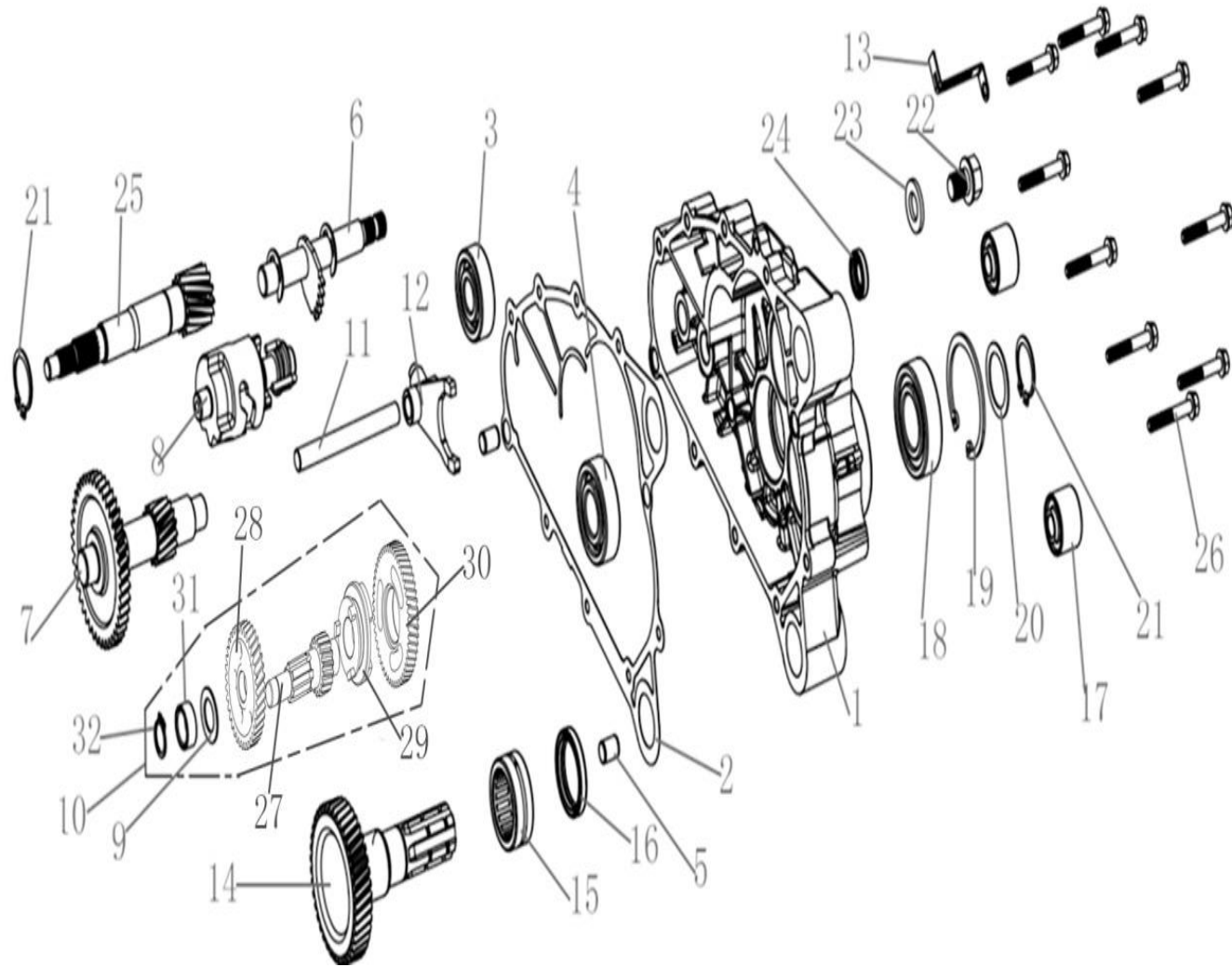
Ref. no	PL nr / art. no	Art.	Art. name	OE no	Antal / pcs
1	N/A		Cooling Fan	36615	1
2	9058130	Svånghjul inkl. stator	Generator assy flywheel type A.C	36899	1
3	9058131	Svånghjul inkl. stator	Magneto Flywheel	36903	1
4	9058132	Stator	Magneto Coil	36904	1
5	N/A		Nut M12×1.25	10188	1
6	N/A		Bolt M5×12	10730	2
7	N/A		Bolt M6×18	10191	4
8	N/A		Bolt M6×25	10187W	2

FIG 27: CTV / DRIVE SYSTEM



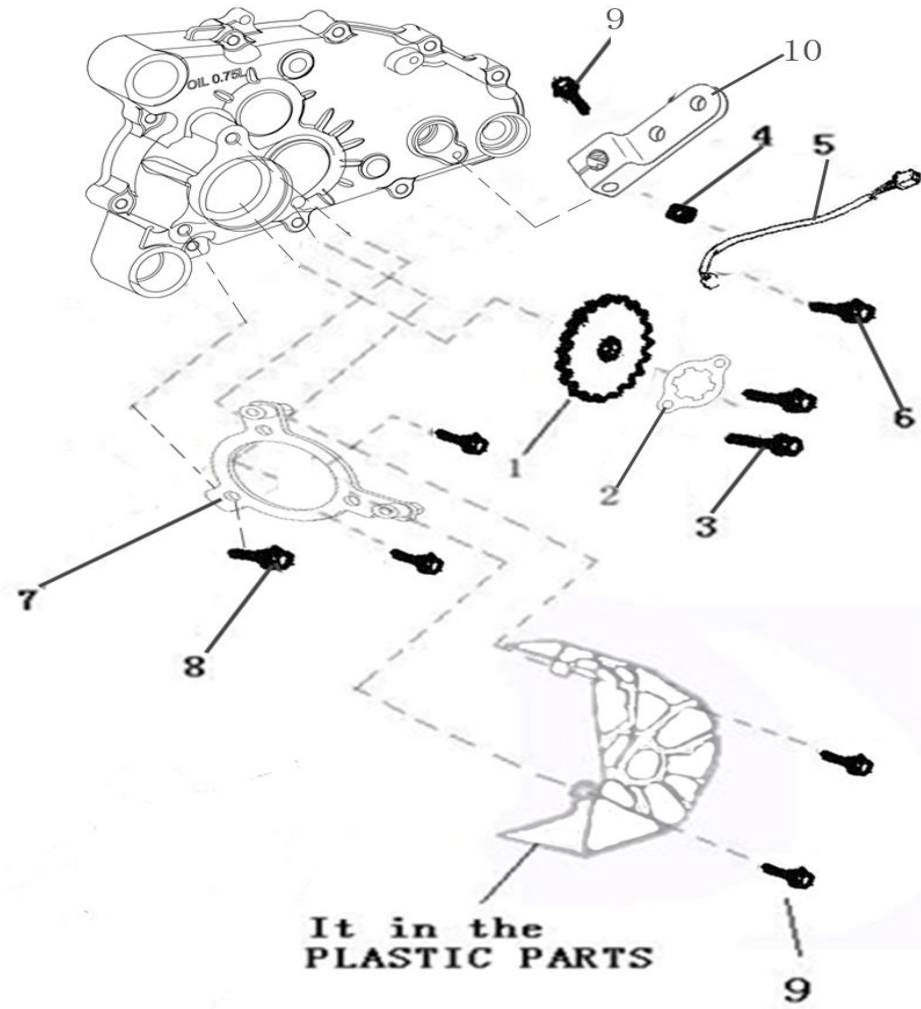
Ref. no	PL nr / art. no	Art.	Art. name	OE no	Antal / pcs
1	9058133	Variator inkl. rulle	Driving Pulley Assy	36697	1
2	N/A		Driven Pulley Assy	36698	1
3	N/A		Driving wheel skate Combo.	36699	1
4	N/A		Driving Pulley Fixing Plate	36700	1
5	N/A		Drive Gear Sleeve	36701	1
6	N/A		Driven Disc Comp.	36702	1
7	N/A		Driven Pulley Comp.	36703	1
8	9058134	Variator rem	V-Belt	36704	1
9	N/A		Washer	10997	1
10	N/A		Nut M12×1.25×8	10017	1
11	N/A		Washer 15.2×29×7.5	36705	1
12	N/A		Nut M12×1.25×11	10017	1

FIG 28: TRANSMISSION / TRANSMISSION



Ref. no	PL nr / art. no	Art.	Art. name	OE no	Antal / pcs
1	9058135	Skydd växellåda	Gear Box Cover	36666	1
2	9058136	Packning växellåda	Gear Box Gasket	36668	1
3	9038582	Lager	Ball Bearing 6302	10999	1
4	9036036	Lager	Ball Bearing 6204	10062	1
5	N/A		Dowel Pin 10x14	35094	2
6	9058137	Växelväljare skydd	Transmission Shaft Assembly	36695	1
7	9058138	Bakväxel axel	Reverse Gear Shaft Assembly	36691	1
8	9058139	Växeltrumma	Gearshift Drum	36692	1
9	N/A		Plain Washers (Steel)15x 19x 1	36684	1
10	9058140	Växel huvudaxel komplett	Gearshift Shaft Assy	36706	1
11	9058141	Gaffelväxel	Fork Shaft	36707	1
12	9058142	Gaffelväxel	Fork	36708	1
13	N/A		A Cable Clamp	36709	1
14	9058143	Utgångsaxel	Output Shaft Assembly	36693	1
15	9058144	Nållager	Needle Bearing RNA4905	11002	1
16	9058145	O-ring 30X40X6	Oil Seal 30x40x6	36669	1
17	9058146	Gummiupphängning	Shock Absorber	36652	1
18	9038576	Lager	Ball Bearing 6205-2RS	10778	1
19	N/A		Circlip 52	10885	1
20	N/A		Washer 25x34x1	36670	1
21	9033942	Låsring	Circlip 25	10064	1
22	N/A		Bolt M12x1.5	36671	1
23	N/A		Washer 12x20x1.5	36672	1
24	N/A		Oil Seal 14x28x7	36673	1
25	9058147	Ingångsaxel	Drive Shaf	36694	1
26	9050223	Bult	Bolt M6x40	10990	10
27	N/A		Gearshift spline shaft	36862	1
28	N/A		Forward gear	36858	1
29	N/A		Shifting fork dish	36859	1
30	N/A		Reverse gear	36860	1
31	N/A		Gearshift spacer	36861	1
32	N/A		Circlip 15	10768	1

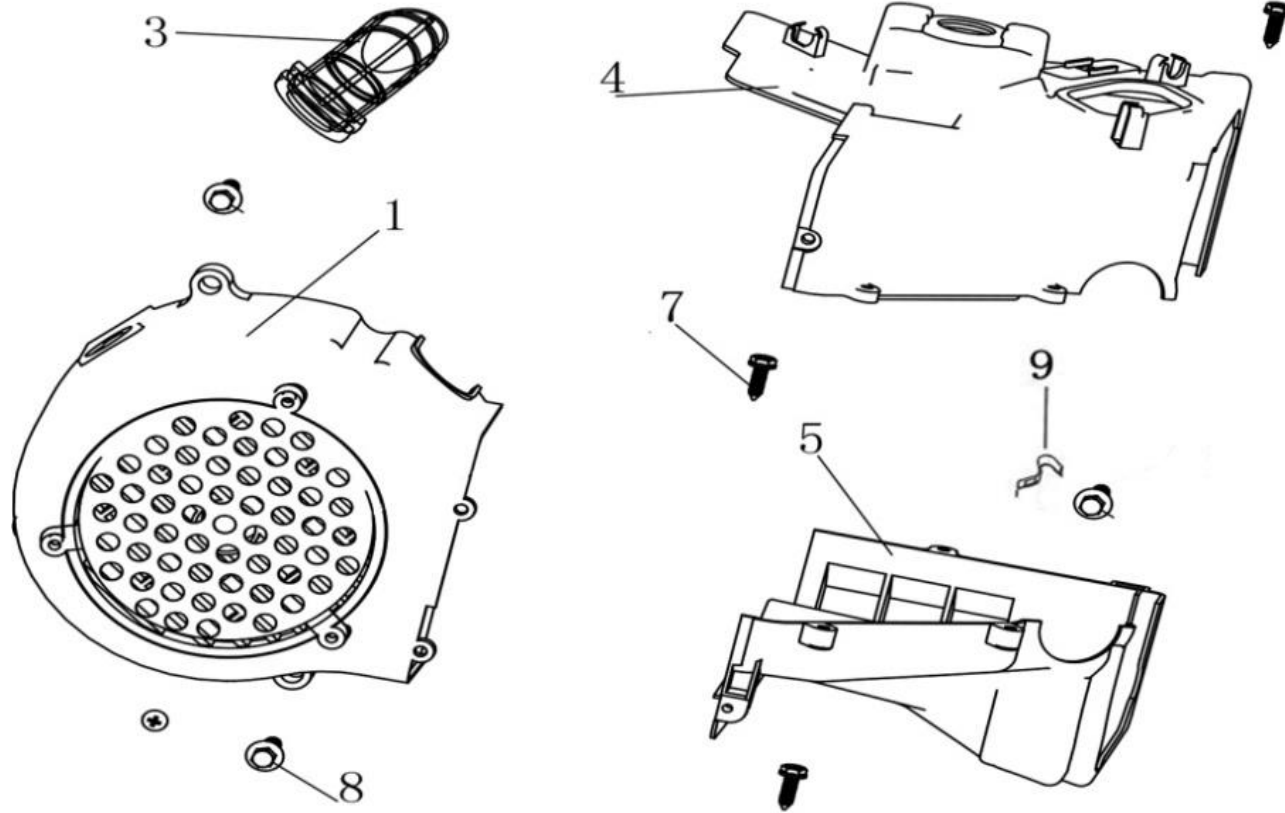
FIG 29: VÄXEL - BAKVÄXEL / REVERSE SYSTEM



It in the
PLASTIC PARTS

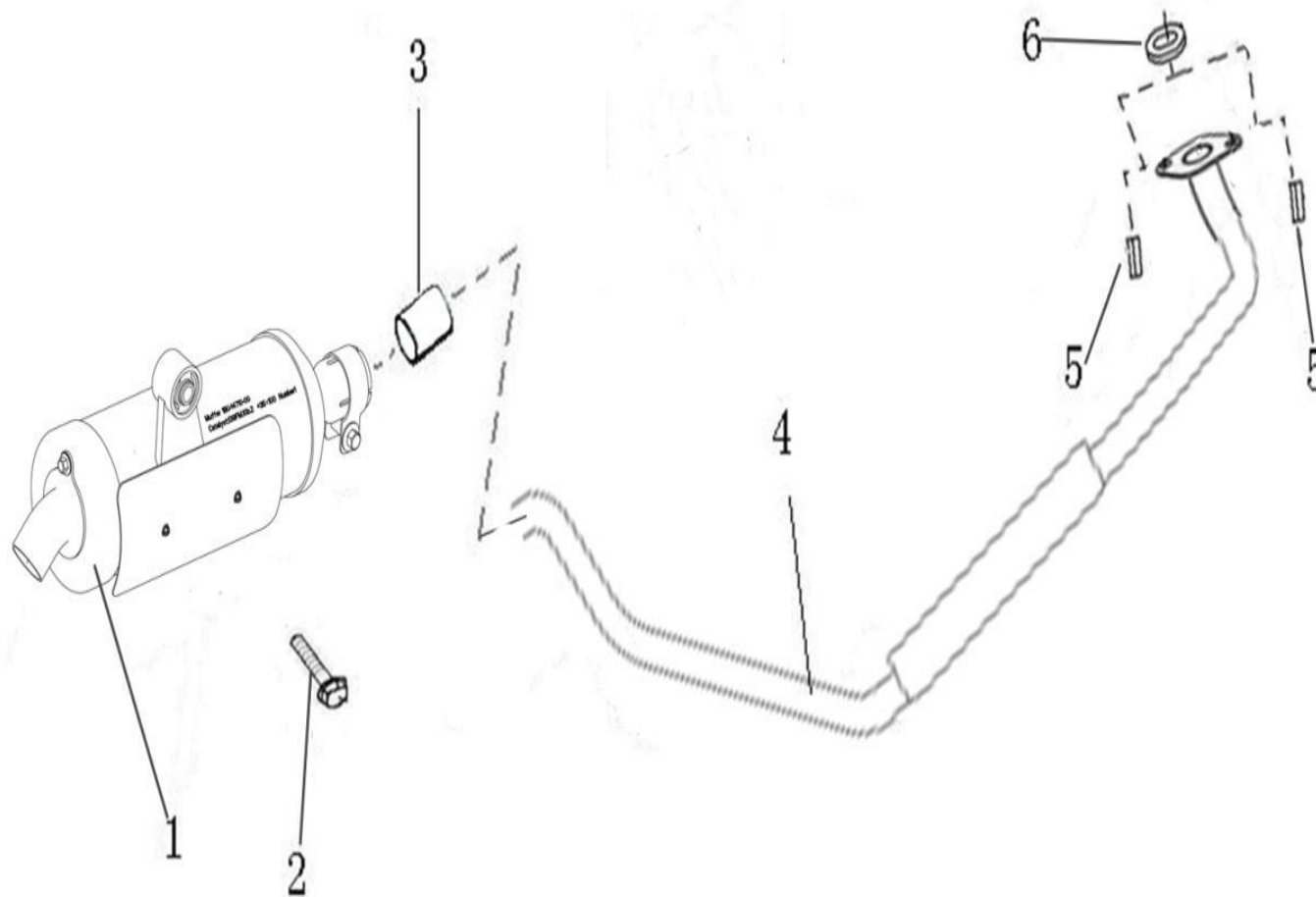
Ref. no	PL nr / art. no	Art.	Art. name	OE no	Antal / pcs
1	9058148	Tandhjul lilla	Output Sprocket	36685	1
2	9058149	Låsplatta	Sprocket Locating Plate	36686	1
3	9034420	Bult	Bolt M6×12	10140B	2
4	9058150	Kontakt växelväljare	Gear indicator slide	36676	1
5		Samma som POS 4	Gear indicator	36677	1
6	N/A		Bolt M6×12	10230	1
7	N/A		Retainer ,cover,chain	36667	1
8	N/A		Bolt M8×15	10652B	3
9	9034625	Bult	Bolt M6×20	10110	3
10	9058151	Växelväljare	Shift shifter lever	36710	1

FIG 30: FLÄKTHUS / FAN COVER & SHROUD



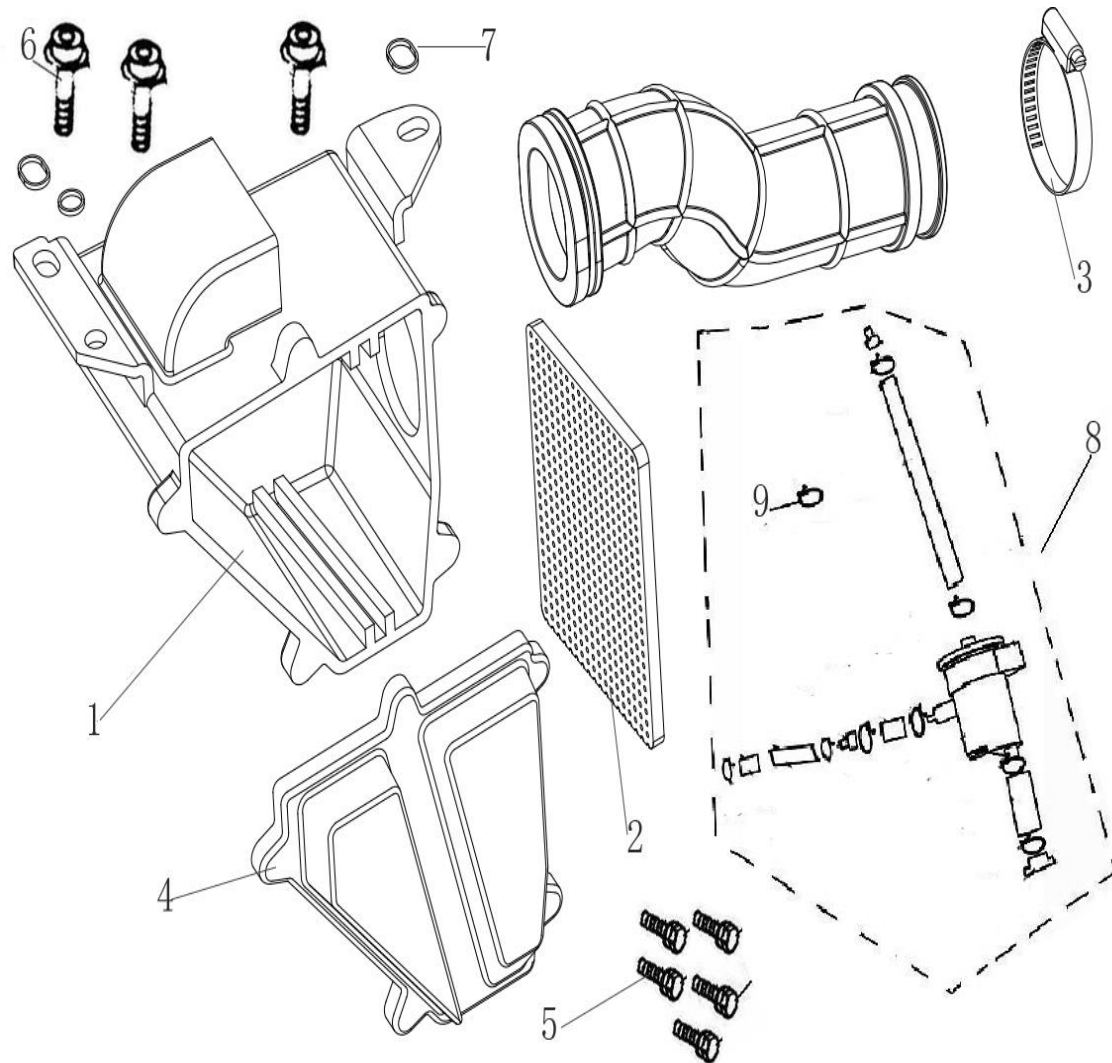
Ref. no	PL nr / art. no	Art.	Art. name	OE no	Antal / pcs
1	9058152	Fläktskydd	Cover Comp Fan	28008	1
3	9058153	Anslutning förgasare kylning	Duct Carburetor Cooling	36612	1
4	9058154	Flätkappa övre	Up Shroud Comp	28006	1
5	9058155	Flätkappa nedre	Down Shroud Comp	2531030	1
7	9034550	Skruv	Screw ST 4.8×16	10009	4
8	N/A		Bolt M6×25	10187W	3
9	N/A		Overflow Pipe Clamp	36613	1
10	N/A		Wire Clip	36614	1

FIG 31: AVGASRÖR - LJUDDÄMPARE / EXHAUST - MUFFLER



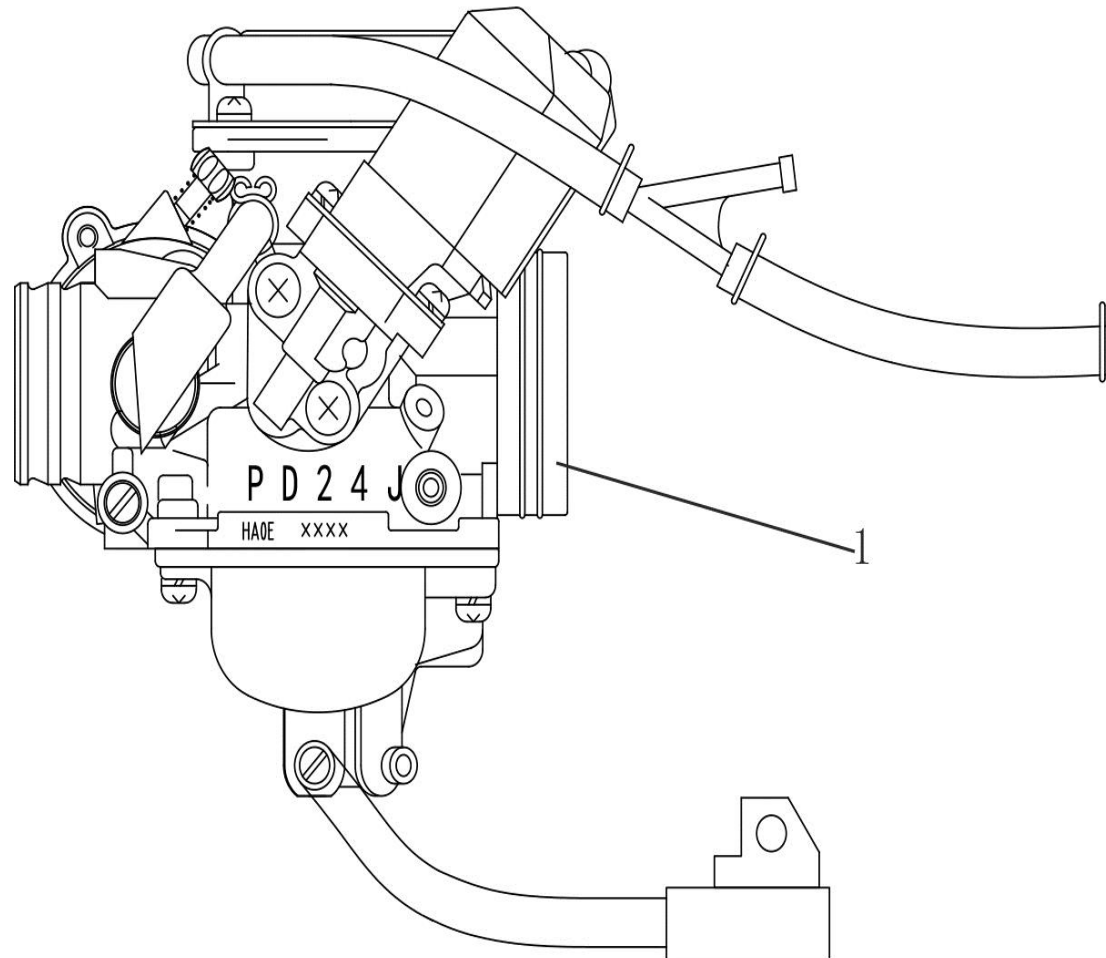
Ref. no	PL nr / art. no	Art.	Art. name	OE no	Antal / pcs
1	9058156	Ljuddämpare	Muffler (Only for T3)	36905	1
2	N/A		Bolt M10×45	10991	1
3	9058157	Monteringsmuff avgas	Muffler joint	23411	1
4	9058158	Förrör avgasrör	Exhaust pipe	36637	1
5	N/A		Nut cap M6	36638	2
6	9058160	Manifoldspackning	Gasket EX pipe	1309164	1

FIG 32: LUFTFILTER / AIRCLEANER



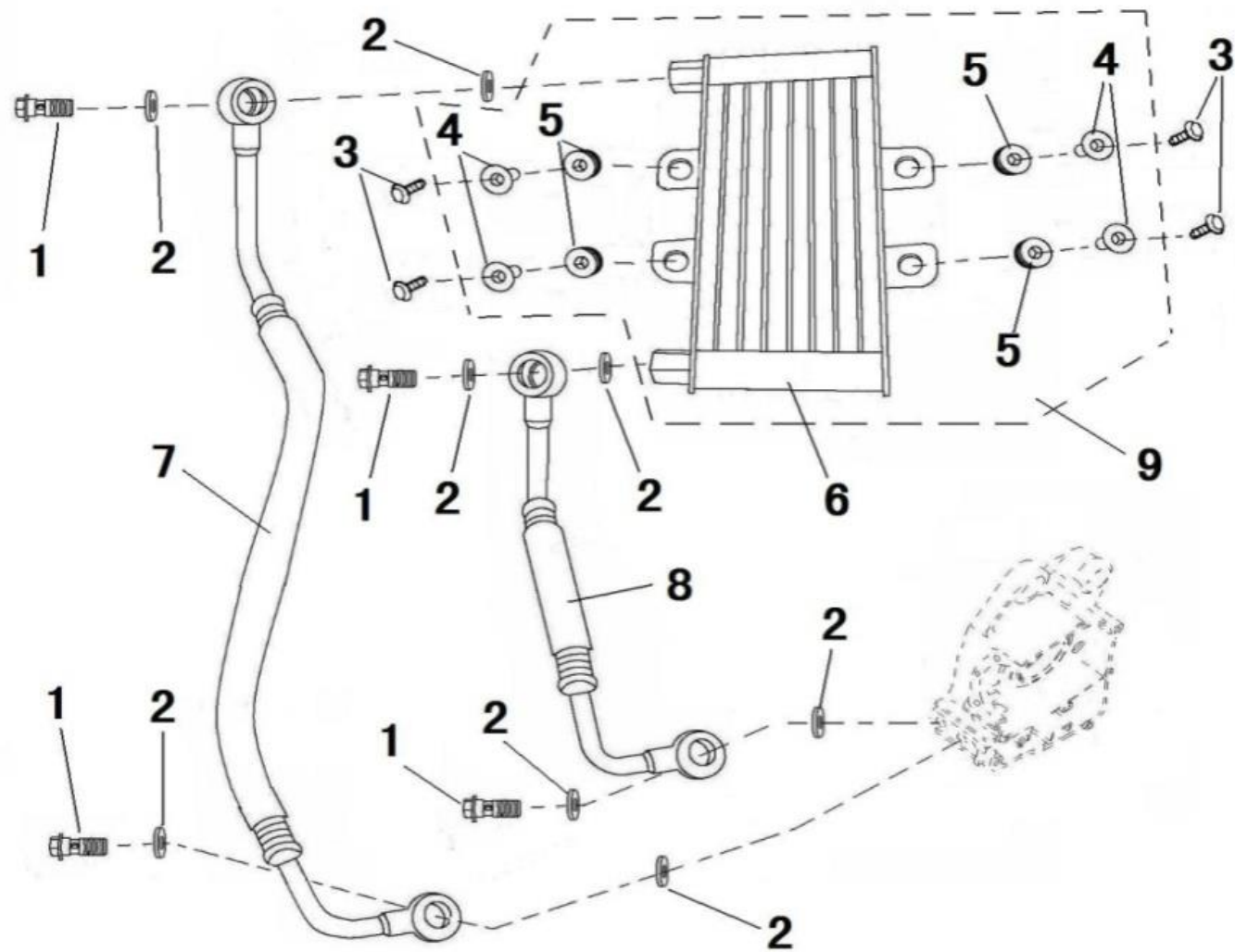
Ref. no	PL nr / art. no	Art.	Art. name	OE no	Antal / pcs
1	9058161	Luftfilterinsats	Air cleaner case	36632	1
2	9058162	Luftfilter element	Element comp air cleaner	36633	1
3	N/A		Hose clamp	36634	1
4	9058163	Luftfilterskydd	Cover air cleaner	36635	1
5	9034550	Skruv	Screw ST4.8	10009	5
6	N/A		Bolt M6x25	10187W	3
7	N/A		Washer 6	10801	3
8	9058164	Utluftningsventil	Oil-gas separator	36631	1
9	9035022	Slangklämma	CLIP 1	20218	1

FIG 33: FÖRGASARE / CARBURETOR



Ref. no	PL nr / art. no	Art.	Art. name	OE no	Antal / pcs
1	9058165	Förgasare	Carburetor (ONLY FOR USA)	36629	1

FIG 34: OLJEKYLARE (EXTRAUTRUSTNING) / OIL COOLER PARTS (OPTIONAL)



Ref. no	PL nr / art. no	Art.	Art. name	OE no	Antal / pcs
1	N/A		Oil cooler parts	36616	1
2	N/A		Oil cooling pipe A	36617	1
3	N/A		Oil cooling pipe B	36618	1
4	N/A		Oil radiator	29850	1
5	N/A		Oil bolt	35379	4
6	N/A		Sealing gasket	35341	8