

ODES650 ATV - 9064030 (T3A), 9064059 & 9064060 (T3B)
Reservdelar - MOTOR



P.Lindberg

02.12.2021

Version 1

INNEHÅLL

MOTOR

Fig 1: Cylinderhuvud nr 1

Fig 2: Cylinderhuvud nr 2

Fig 3: Vevhus, lager

Fig 4: Vevaxel, kolv och cylinder

Fig 5: Start, startdrev och generator

Fig 6: Oljepump, smörjsystem

Fig 7: Motor kylsystem

Fig 8: Växellåda 1

Fig 9: Växellåda 2

Fig 10: Drivaxel

Fig 11: CVT-koppling, drivrem

Fig 12: Insug, bensinmunstycke, gasspjäll

Fig 13: Motor tillbehör

Fig 1: Cylinderhuvud nr 1

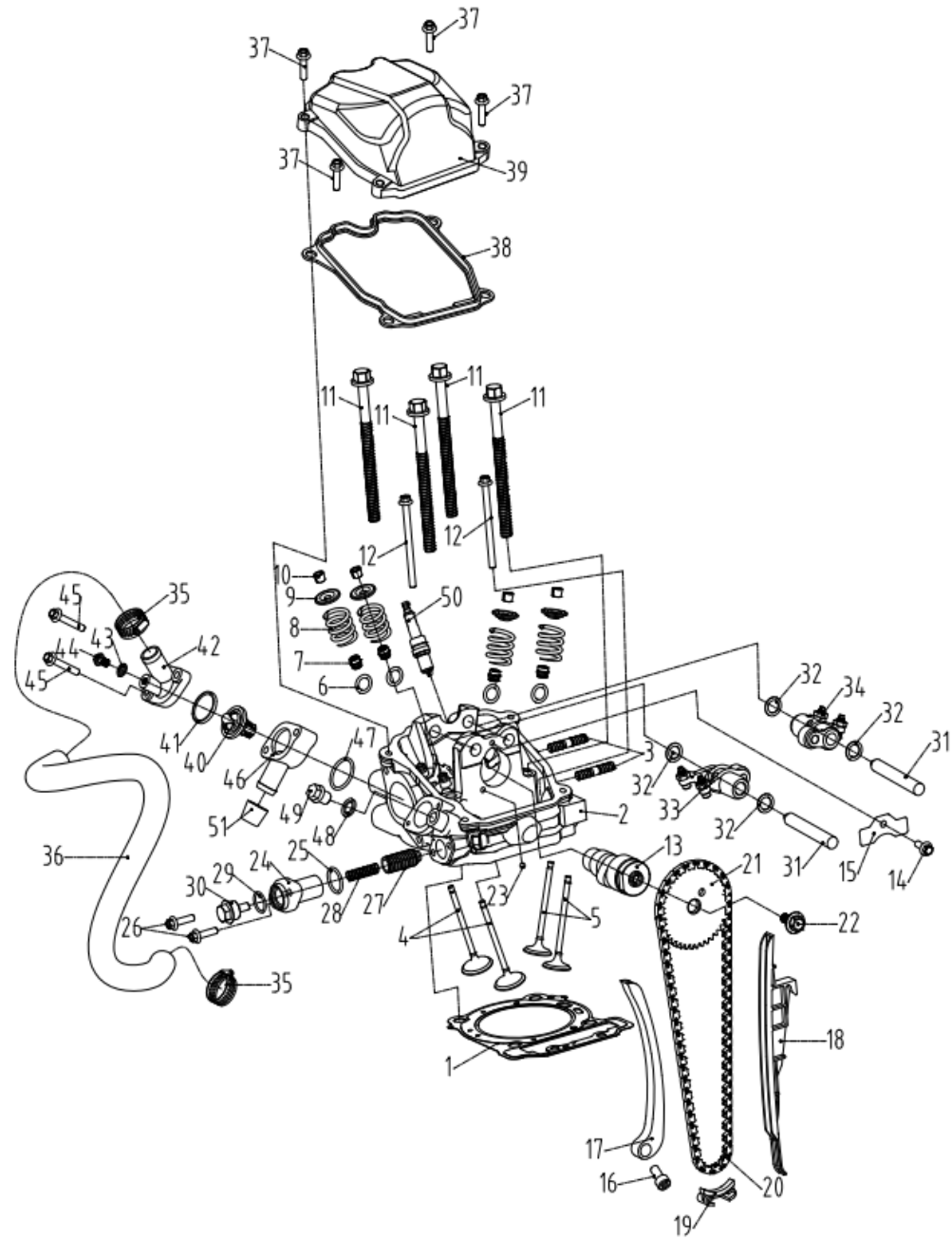


Fig 1: Cylinderhuvud nr 1

Ref. no.	P-L Art.	Varunamn	Art. name	OE no.	Antal / pcs
1	9065241	Topplockspackning	<i>Cylinder head gasket</i>	21170100701	1
2	9055214	Cylinder, fram	<i>Cylinder, front</i>	21050100201	1
3	N/A	Dubb 8x45	<i>Stud 8x45</i>	21040100501	2
4	9055215	Inloppsventil, 31 mm	<i>Inlet valve, 31 mm</i>	21040100601	2
5	9055216	Avgasventil, 27 mm	<i>Exhaust valve, 27 mm</i>	21040100701	2
6	N/A	Tryckbricka	<i>Thrust washer</i>	21040100801	4
7	9055217	Ventilskaftstättning	<i>Valve stem seal</i>	21040100901	4
8	9055218	Ventilfjäder	<i>Valve spring</i>	21040101001	4
9	N/A	Ventilfjäderhållare	<i>Valve spring retainer</i>	21050100901	4
10	9055219	Saxventil	<i>Cotter valve</i>	21050101001	8
11	9055220	Skruv 10x140	<i>Screw 10x140</i>	21040101301	4
12	N/A	Sexkantsflänsbult 6x85	<i>Hex flange bolt 6x85</i>	01214060851	2
13	9055222	Kamaxel	<i>Camshaft</i>	21040101401	1
14	N/A	Sexkantsflänsbult 6x16	<i>Hex flange bolt 6x16</i>	01224060161	1
15	N/A	Håller vakt	<i>Holding guard</i>	21040101601	1
16	N/A	Lagerskruv 6	<i>Bearing screw 6</i>	21040101701	1
17	9055235	Kedjespänningsguide	<i>Chain tension guide</i>	21040101801	1
18	9055229	Kedjestyrning	<i>Chain guide</i>	21040101901	1
19	9055227	Kedjestyrning	<i>Chain guide</i>	21040102001	1
20	9055228	Tyst kedja 6,35Px112	<i>Silent chain 6.35Px112</i>	21040102101	1
21	9055234	Kamaxeldrev, 42 tänder	<i>Camshaft sprocket, 42 teeth</i>	21040102201	1
22	N/A	Flänsad torxskruv 8x20	<i>Flanged torx screw 8x20</i>	21040102301	1
23	N/A	Stålkula SΦ5.159	<i>Steel ball SΦ5.159</i>	21040100401	1
24	9055238	Kedjespännarhus	<i>Chain tensioner housing</i>	21040102401	1
25	9055236	O-ring 21x2,5	<i>O-ring 21x2.5</i>	21040102501	1
26	N/A	Sexkantsflänsbult 6x22	<i>Hex flange bolt 6x22</i>	01224060221	2
27	9055237	Kedjespännare kolv	<i>Chain tensioner plunger</i>	21040102601	1
28	9055239	Fjäder	<i>Spring</i>	21040102901	1
29	9055240	O-ring 17x2	<i>O-ring 17x2</i>	21040102701	1
30	N/A	Pluggskruv	<i>Plug screw</i>	21040102801	1
31	9055225	Pin #12, liten	<i>Pin #12, small</i>	21040103101	2
32	9055523	Plattbricka 18,6x12,4x0,5	<i>Flat washer 18.6x12.4x0.5</i>	21040103201	4
33	9055224	Vipparmsinlopp	<i>Rocker arm inlet</i>	21040103301	1
34	9055226	Vipparmsavgassystem	<i>Rocker arm exhaust</i>	21040103401	1

35	9021800	Klämma	<i>Clamp</i>	21040104902	2
36	9055250	Vattenrör	<i>Water tube</i>	21040105001	1
37	N/A	Sexkantsflänsbult 6x25	<i>Hex flange bolt 6x25</i>	01224060251	4
38	9055247	Ventilkåpa packning	<i>Valve cover gasket</i>	21040103801	1
39	9055248	Ventilkåpan	<i>Valve cover</i>	21040103901	1
40	9055243	Termostat	<i>Thermostat</i>	21040104001	1
41	9055244	Termostatpackning	<i>Thermostat gasket</i>	21040104201	1
42	9055245	Termostatkåpa	<i>Thermostat cover</i>	21040104301	1
43	9055337	Packningsring 6	<i>Gasket ring 6</i>	06150061201	1
44	N/A	Skruv 6x10	<i>Screw 6x10</i>	21040104401	1
45	N/A	Sexkantsflänsbult 6x45	<i>Hex flange bolt 6x45</i>	01214060451	2
46	9055242	Anslutningsuttag	<i>Connection socket</i>	21040104501	1
47	9055241	O-ring 27,8x2,6	<i>O-ring 27.8x2.6</i>	21040104601	1
48	9055297	Kopparbricka 18x12,4x2	<i>Copper washer 18x12.4x2</i>	21040104701	1
49	9055298	Pluggskruv 12x15	<i>Plug screw 12x15</i>	21040104801	1
50	9055249	Tändstift, DCPR7E	<i>Spark plug, DCPR7E</i>	21040105101	1
51	9055252	Kåpa	<i>Housing cap</i>	21040104361	1

Fig 2: Cylinderhuvud nr 2

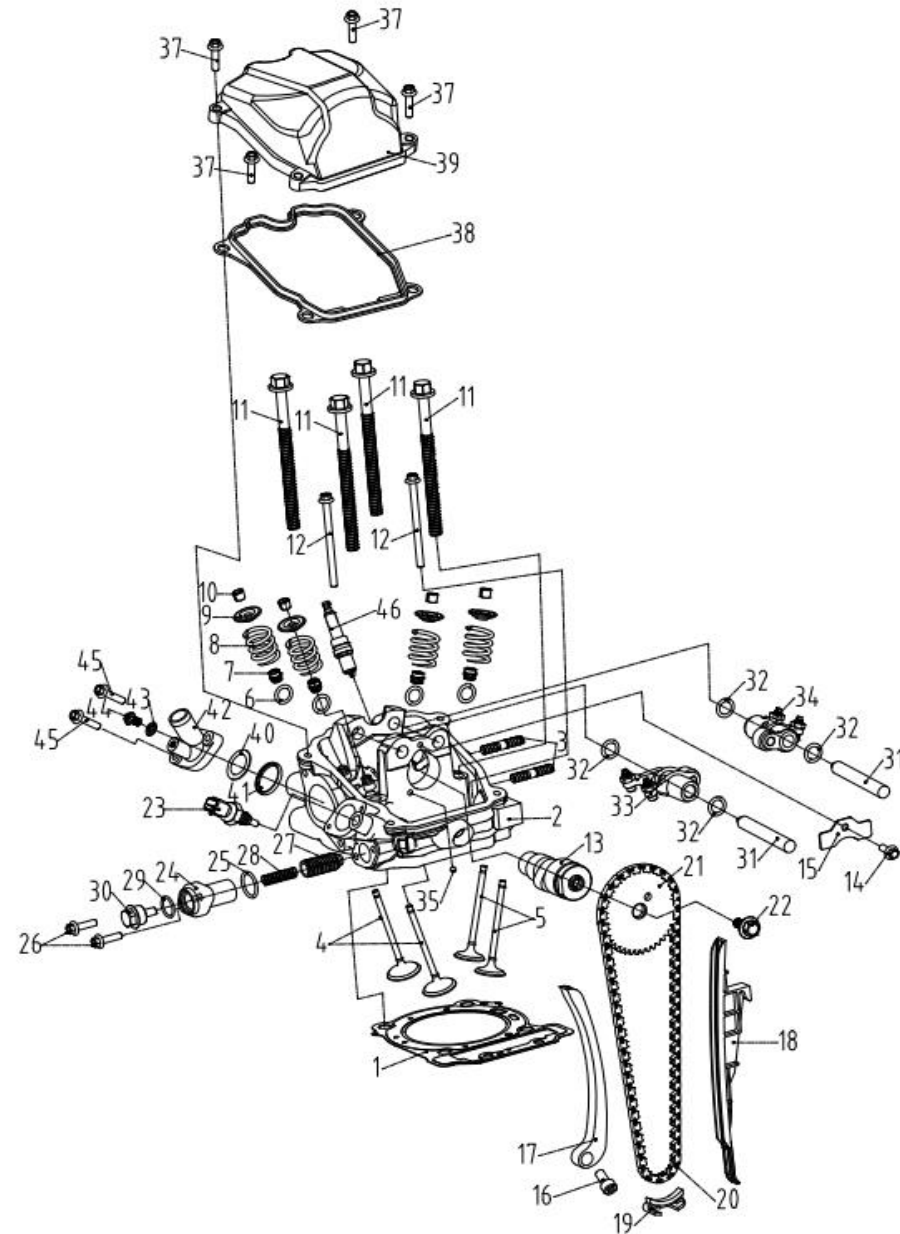


Fig 2: Cylinderhuvud nr 2

Ref. no.	P-L Art.	Varunamn	Art. name	OE no.	Antal / pcs
1	9065241	Topplockspackning	<i>Cylinder head gasket</i>	21170100701	1
2	9055253	Cylinder, bak	<i>Cylinder, rear</i>	22040100301	1
3	N/A	Dubb 8x45	<i>Stud 8x45</i>	21040100501	2
4	9055215	Inloppsventil, 31	<i>Inlet valve, 31</i>	21040100601	2
5	9055216	Avgasventil 27	<i>Exhaust valve 27</i>	21040100701	2
6	N/A	Tryckbricka	<i>Thrust washer</i>	21040100801	4
7	9055217	Ventilskaftstättning	<i>Valve stem seal</i>	21040100901	4
8	9055218	Ventilfjäder	<i>Valve spring</i>	21040101001	4
9	N/A	Ventilfjäderhållare	<i>Valve spring retainer</i>	21040101101	4
10	9055219	Saxventil	<i>Cotter valve</i>	21040101201	8
11	9055220	Skruv 10x140	<i>Screw 10x140</i>	21040101301	4
12	N/A	Sexkantsflänsbult 6x85	<i>Hex flange bolt 6x85</i>	01214060851	2
13	9055222	Kamaxel	<i>Camshaft</i>	21040101401	1
14	N/A	Sexkantsflänsbult 6x16	<i>Hex flange bolt 6x16</i>	01224060161	1
15	N/A	Hållare	<i>Holder guard</i>	21040101601	1
16	N/A	Lagerskruv 6	<i>Bearing screw 6</i>	21040101701	1
17	9055235	Kedjespänningsguide	<i>Chain tension guide</i>	21040101801	1
18	9055229	Kedjestyrning	<i>Chain guide</i>	21040101901	1
19	9055227	Kedjestyrning	<i>Chain guide</i>	21040102001	1
20	9055228	Tyst kedja 6,35Px112	<i>Silent chain 6.35Px112</i>	21040102101	1
21	9055234	Kamaxeldrev, 42 tänder	<i>Camshaft sprocket, 42 teeth</i>	21040102201	1
22	N/A	Flänsad torxskruv 8x20	<i>Flanged torx screw 8x20</i>	21040102301	1
23	9055255	Vattentemperaturgivare	<i>Water temperature sensor</i>	21040103001	1
24	9055238	Kedjespännarhus	<i>Chain tensioner housing</i>	21040102401	1
25	9055236	O-ring	<i>O-ring</i>	21040102501	1
26	N/A	Sexkantsflänsbult 6x22	<i>Hex flange bolt 6x22</i>	01224060221	2
27	9055237	Kedjespännare kolv	<i>Chain tensioner plunger</i>	21040102601	1
28	9055239	Vår	<i>Spring</i>	21040102901	1
29	9055240	O-ring 17x2	<i>O-ring 17x2</i>	21040102701	1
30	N/A	Pluggskruv	<i>Plug screw</i>	21040102801	1
31	9055225	Pin #12, liten	<i>Pin #12, small</i>	21040103101	2
32	9055523	Plattbricka 18,6x12,4x0,5	<i>Flat washer 18.6x12.4x0.5</i>	21040103201	4
33	9055224	Vipparmsinlopp	<i>Rocker arm inlet</i>	21040103301	1
34	9055226	Vipparmsavgassystem	<i>Rocker arm exhaust</i>	21040103401	1

Fig 3: Vevhus,lager

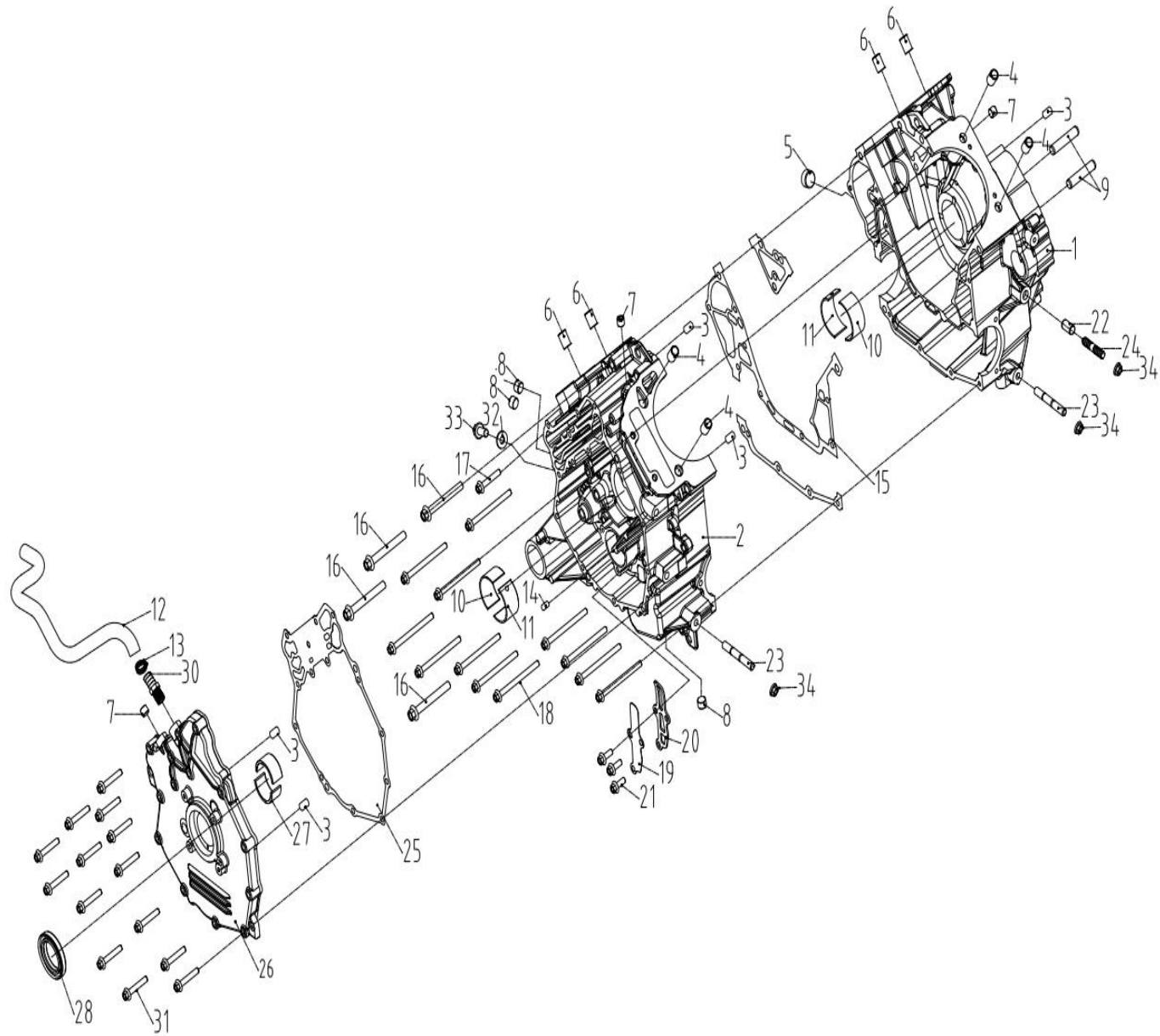


Fig 3: Vevhus,lager

Ref. no.	P-L Art.	Varunamn	Art. name	OE no.	Antal / pcs
1	N/A	Höger vevhus	<i>Right crankcase</i>	21040105202	1
2	N/A	Vänster vevhus	<i>Left crankcase</i>	21040105301	1
3	N/A	Mittstift	<i>Center pin</i>	21040105401	5
4	N/A	Drivstift 5x11	<i>Drive pin 5x11</i>	21040105502	4
5	N/A	Pluggskruv npt 1/2	<i>Plug screw npt 1/2</i>	21040105601	1
6	N/A	Sättin stift 10x1,5-17K	<i>Insert pin 10x1.5-17K</i>	90101120650	8
7	N/A	Pluggskruv npt 1/8	<i>Plug screw npt 1/8</i>	21040105701	3
8	N/A	Pluggskruv npt 1/4	<i>Plug screw npt 1/4</i>	21040105801	3
9	9055295	Platsstift	<i>Location pin</i>	21040105901	3
10	9055256	Glidlager	<i>Plain bearing</i>	21040106001	2
11	9055257	Glidlager	<i>Plain bearing</i>	21040106101	2
12	N/A	Slang	<i>Hose</i>	21170102101	1
13	9021811	Klämma	<i>Clamp</i>	21040403801	1
14	9055258	Nålstift 6x10	<i>Needle pin 6x10</i>	21040106301	1
15	9055259	Packning	<i>Gasket</i>	21040106401	1
16	N/A	Sexkantsflänsbult 8x65	<i>Hex flange bolt 8x65</i>	01214080651	4
17	N/A	Sexkantsflänsbult 6x35	<i>Hex flange bolt 6x35</i>	01224060351	1
18	N/A	Sexkantsflänsbult 6x75	<i>Hex flange bolt 6x75</i>	01214060751	1
19	9055261	Ventilplatta	<i>Valve plate</i>	21040106501	1
20	9055262	Reedventilstopp	<i>Reed valve stop</i>	21040106601	1
21	9050220	Sexkantsflänsbult 6x16	<i>Hex flange bolt 6x16</i>	01224060161	3
22	N/A	Pluggstift 10x16	<i>Dowel pin 10x16</i>	21040116001	1
23	N/A	Dubb 8x62	<i>Stud 8x62</i>	21040106801	2
24	N/A	Dubb 8x45	<i>Stud 8x45</i>	21040100501	1
25	9055263	Packning	<i>Gasket</i>	21040106901	1
26	N/A	Kruklocksmonter	<i>Pot cover assembly</i>	21040107001	1
27	9055264	Lagerhylsa	<i>Bearing sleeve</i>	21040107101	2
28	9055260	Oljetätning 34x52x8	<i>Oil seal 34x52x8</i>	21040107301	1
30	N/A	Slanguttag npt1/4	<i>Hose outlet npt1/4</i>	21040107201	1
31	N/A	Sexkantsflänsbult 6x35	<i>Hex flange bolt 6x35</i>	01224060351	14
32	N/A	Tätningring Φ 8	<i>Sealing ring Φ8</i>	21040107401	1
33	9050230	Sexkantsflänsbult 8x16	<i>Hex flange bolt 8x16</i>	01224080161	1
34	9050207	Mutter M8	<i>Nut M8</i>	04112080021	3

Fig 4: Vevaxel, kolv och cylinder

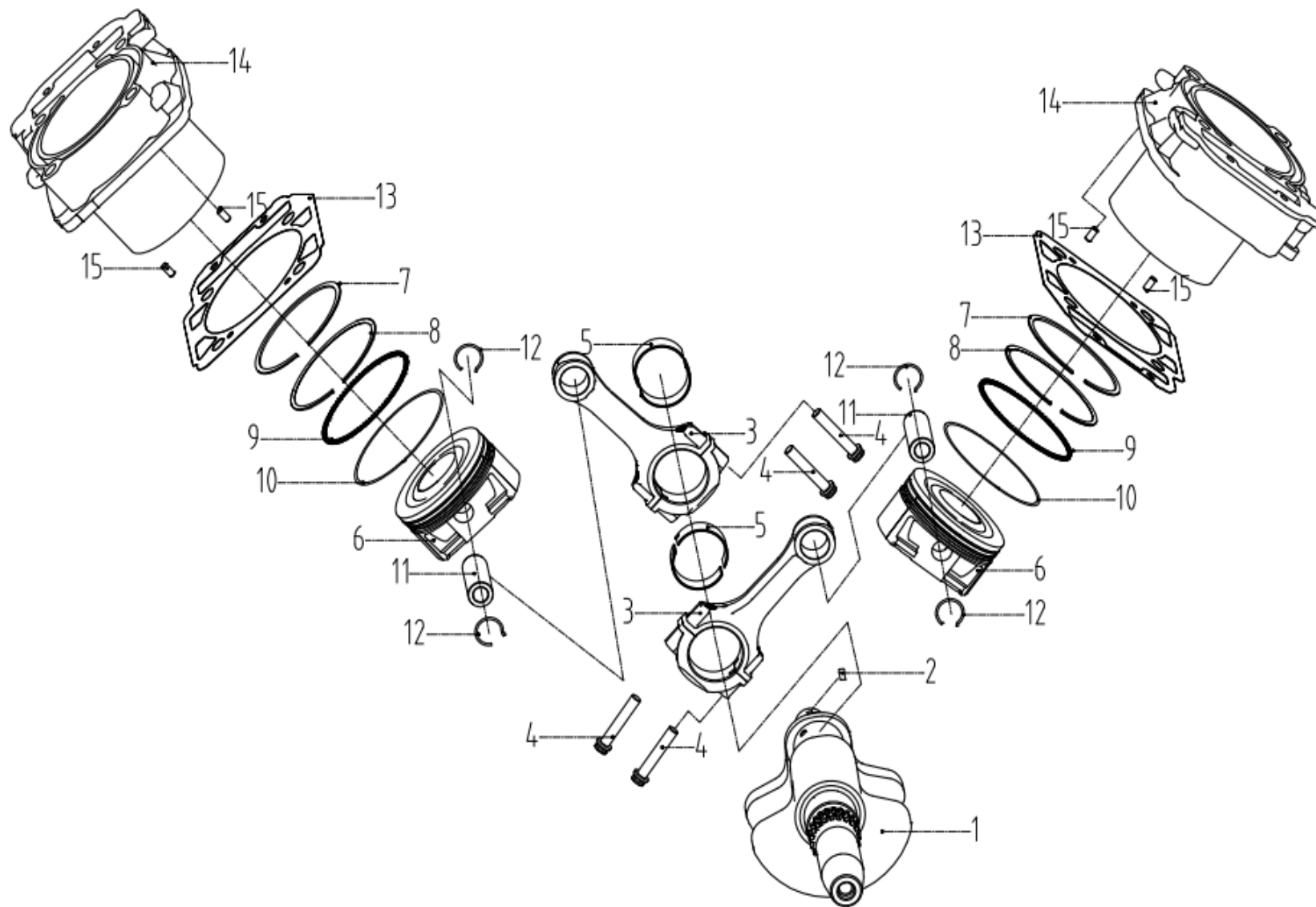


Fig 5: Start, startdrev och generator

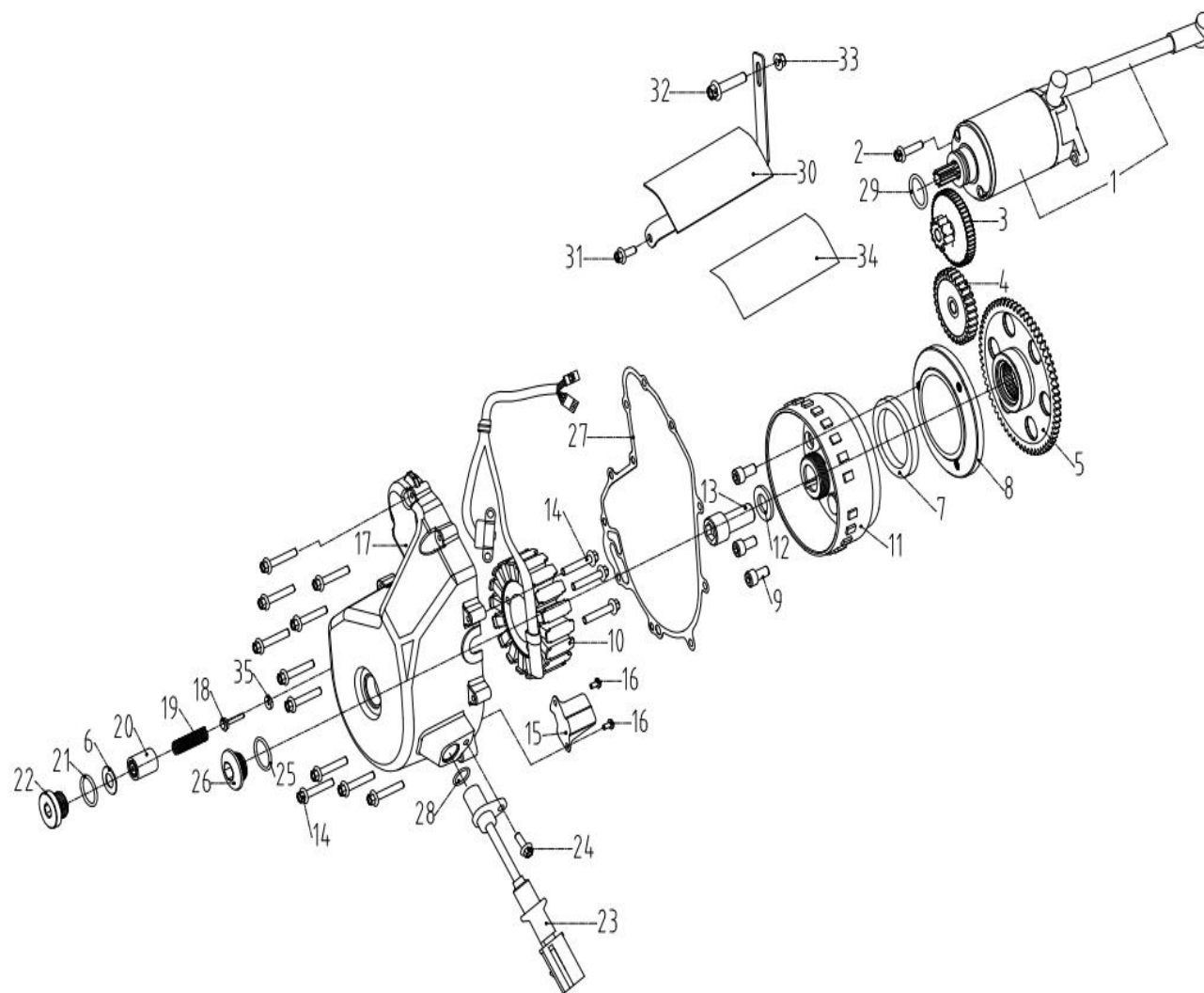


Fig 5: Start, startdrev och generator

Ref. no.	P-L Art.	Varunamn	Art. name	OE no.	Antal / pcs
1	9064882	Startmontering	<i>Starter assembly</i>	21170102701	1
2	N/A	Sexkantsflänsbult 8x25	<i>Hex flange bolt 8x25</i>	02224080251	1
3	9055281	Dubbelväxel 49T/11T	<i>Double gear 49T/11T</i>	21040109201	1
4	9055282	Kugghjul, 30 tänder	<i>Gear, 30 teeth</i>	21040109301	1
5	9055283	Frihjulsväxel, 60 tänder	<i>Free wheel gear, 60 teeth</i>	21040109401	1
7	9055284	Spraglig koppling	<i>Sprag clutch</i>	21040109501	1
8	9052285	Sprag kopplingshus	<i>Sprag clutch housing</i>	21040109601	1
9	N/A	Flänsskruv 8x16	<i>Flanged screw 8x16</i>	03344080161	3
10	9065305	Statorplatta	<i>Stator plate</i>	21170103101	1
11	9065306	Svänghjul	<i>Flywheel</i>	21170103201	1
12	N/A	Shim 30x16,5x3	<i>Shim 30x16.5x3</i>	21040109901	1
13	N/A	Insexskruv 16x35	<i>Socket head screw 16x35</i>	03344160357	1
14	N/A	Sexkantsflänsbult 6x35	<i>Hex flange bolt 6x35</i>	01224060351	14
15	N/A	Kabel inre kåpa	<i>Cable inner cover</i>	21040110101	1
16	N/A	Tappskruv 4x8	<i>Tap screw 4x8</i>	03113040081	2
17	N/A	Omslag	<i>Cover</i>	22040110202	1
18	9055288	Övertrycksventil	<i>Pressure relief valve</i>	21040110401	1
19	9055289	Tryckfjäder	<i>Compression spring</i>	21040110501	1
20	9055290	Husventil	<i>Housing valve</i>	21040110601	1
21	9055291	O-ring $\phi 22,5 \times 2,7$	<i>O-ring $\phi 22.5 \times 2.7$</i>	21040500601	1
22	N/A	Skruvplugg 22x1,5	<i>Screw plug 22x1.5</i>	21040110801	1
23	9055292	Vevaxelpositionssensorenhet	<i>Crankshaft position sensor assembly</i>	21040110901	1
24	9050220	Sexkantsflänsbult 6x16	<i>Hex flange bolt 6x16</i>	01224060161	1
25	9055293	O-ring	<i>O-ring</i>	21040111101	1
26	N/A	Skruv-plugg	<i>Screw plug</i>	21040111201	1
27	9055294	Packning	<i>Gasket</i>	21040111301	1
28	9055296	O-ring 16x2	<i>O-ring 16x2</i>	21040111001	1
29	N/A	O-ring 23,8x3,1	<i>O-ring 23.8x3.1</i>	21040109118	1
30	N/A	Startskärm	<i>Starter shield</i>	21170102901	1
31	N/A	Sexkantsflänsbult 6x14	<i>Hex flange bolt 6x14</i>	01224060141	1
32	N/A	Sexkantsflänsbult 6x25	<i>Hex flange bolt 6x25</i>	01224060251	1
33	9050213	Elastisk sexkantsmutter 6	<i>Hex flanged elastic nut 6</i>	04633060023	1
34	N/A	Bromskabel-värmeisoleringsfilm (tunn)	<i>Brake cable-heat insulation film (thin)</i>	10414130010	1
35	N/A	Spacer	<i>Cushion</i>	21040110301	1

Fig 6: Oljepump, smörjsystem

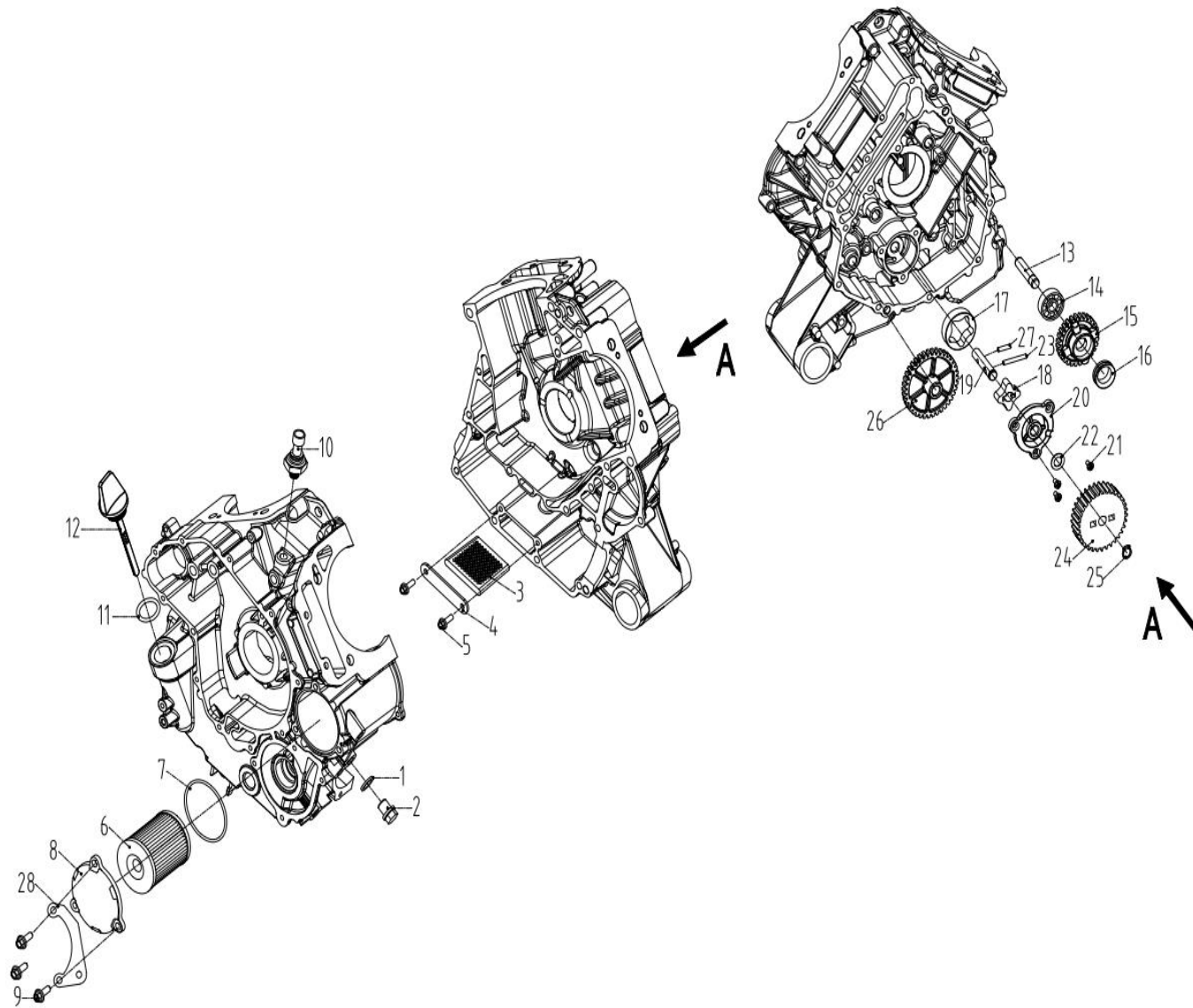


Fig 6: Oljepump, smörjsystem

Ref. no.	P-L Art.	Varunamn	Art. name	OE no.	Antal / pcs
1	9055297	Kopparbricka 18×12,4×2	<i>Copper washer 18×12.4×2</i>	21040104701	1
2	9055298	Pluggskruv 12×15	<i>Plug screw 12×15</i>	21040104801	1
3	9055299	Oljefilter	<i>Oil filter</i>	21040111401	1
4	N/A	Oljefilterlock	<i>Oil filter cover</i>	21040111501	1
5	N/A	Sexkantsflänsbult 5x16	<i>Hex flange bolt 5x16</i>	01223050161	2
6	9055300	Oljefilter	<i>Oil filter</i>	21040111601	1
7	N/A	O-ring 61,5×2,65	<i>O-ring 61.5×2.65</i>	21040116901	1
8	9055302	Oljefilterlock	<i>Oil filter cover</i>	21040111801	1
9	N/A	Sexkantsflänsbult 6x18	<i>Hex flange bolt 6x18</i>	01224060181	3
10	9055303	Oljetrycksvakt	<i>Oil pressure switch</i>	21040111901	1
11	9055304	O-ring	<i>O-ring</i>	21040112001	2
12	9055305	Oljesticka	<i>Oil dipstick</i>	21040112101	1
13	9055306	Lagerstift	<i>Bearing pin</i>	21040516601	2
14	9055307	Kullager 6200-2rz	<i>Ball bearing 6200-2rz</i>	09360006200	1
15	9055308	Tomgångsväxel, 38 tänder	<i>Idle gear</i>	21040112301	1
16	9055309	V-ring	<i>V-ring</i>	21040112401	1
17	9055310	Bult	<i>Bolt</i>	21040112501	1
18	9055311	Oljepumpsrotor	<i>Oil pump rotor</i>	21040112601	1
19	9055313	Oljepumpsaxel	<i>Oil pump shaft</i>	21040112801	1
20	9055314	Oljepumpkåpa	<i>Oil pump cover</i>	21040112901	1
21	N/A	Skruv 5×16	<i>Screw 5×16</i>	03424050161	1
22	N/A	Tryckbricka	<i>Thrust washer</i>	21040113001	1
23	N/A	Nålstift	<i>Needle pin</i>	21040113101	1
24	9055315	Oljepumpsväxel, 33 tänder	<i>Oil pump gear, 33 teeth</i>	21040113201	1
25	9055316	Snäppring ø10	<i>Snap ring ø10</i>	07021101004	1
26	9055317	Tomgångsväxel, 38 tänder	<i>Idle gear, 38 teeth</i>	21040113401	1
27	9055312	Nålstift 4×16	<i>Needle pin 4×16</i>	21040112701	1

Fig 7: Motor kylsystem

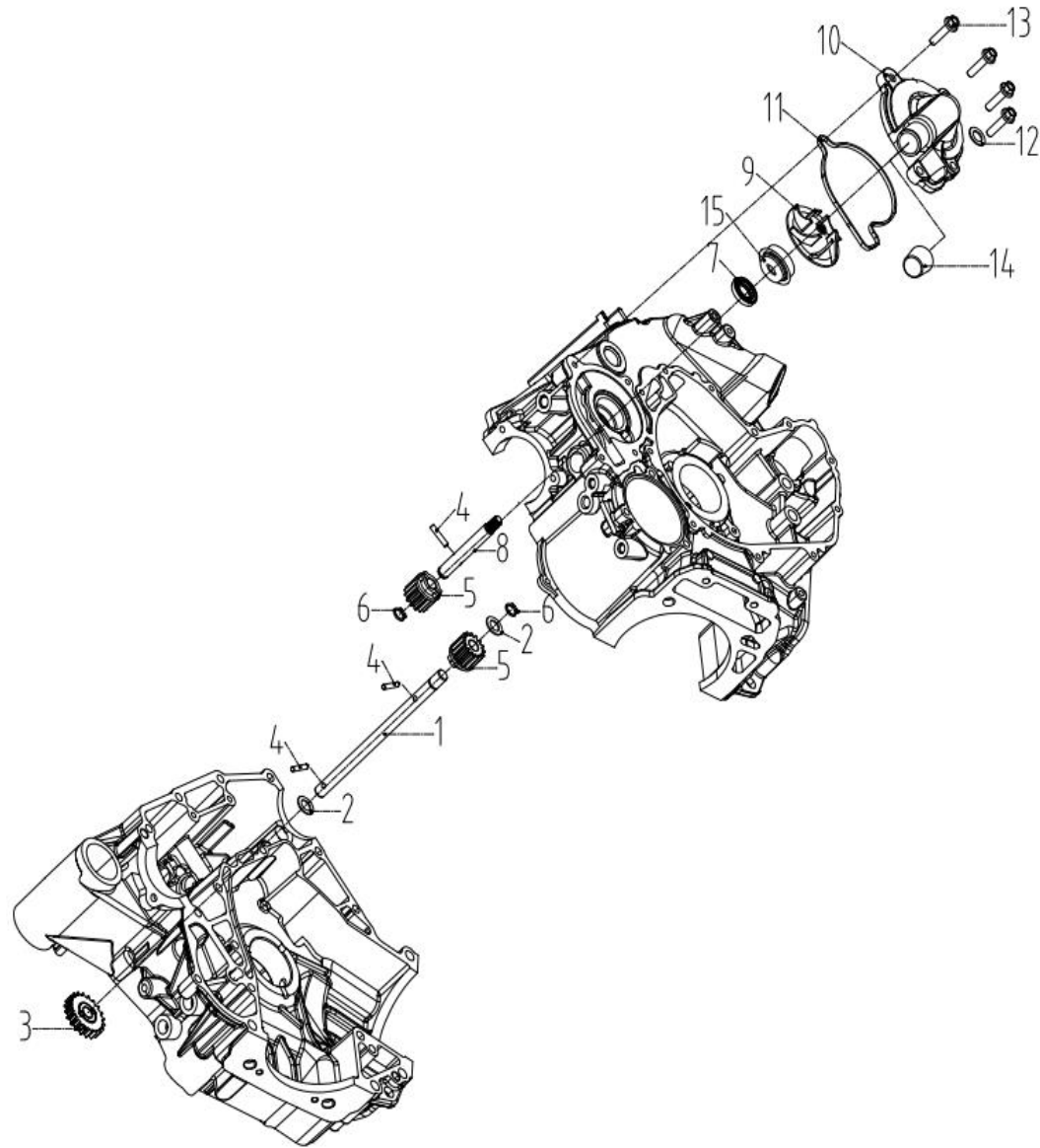


Fig 8: Växellåda 1

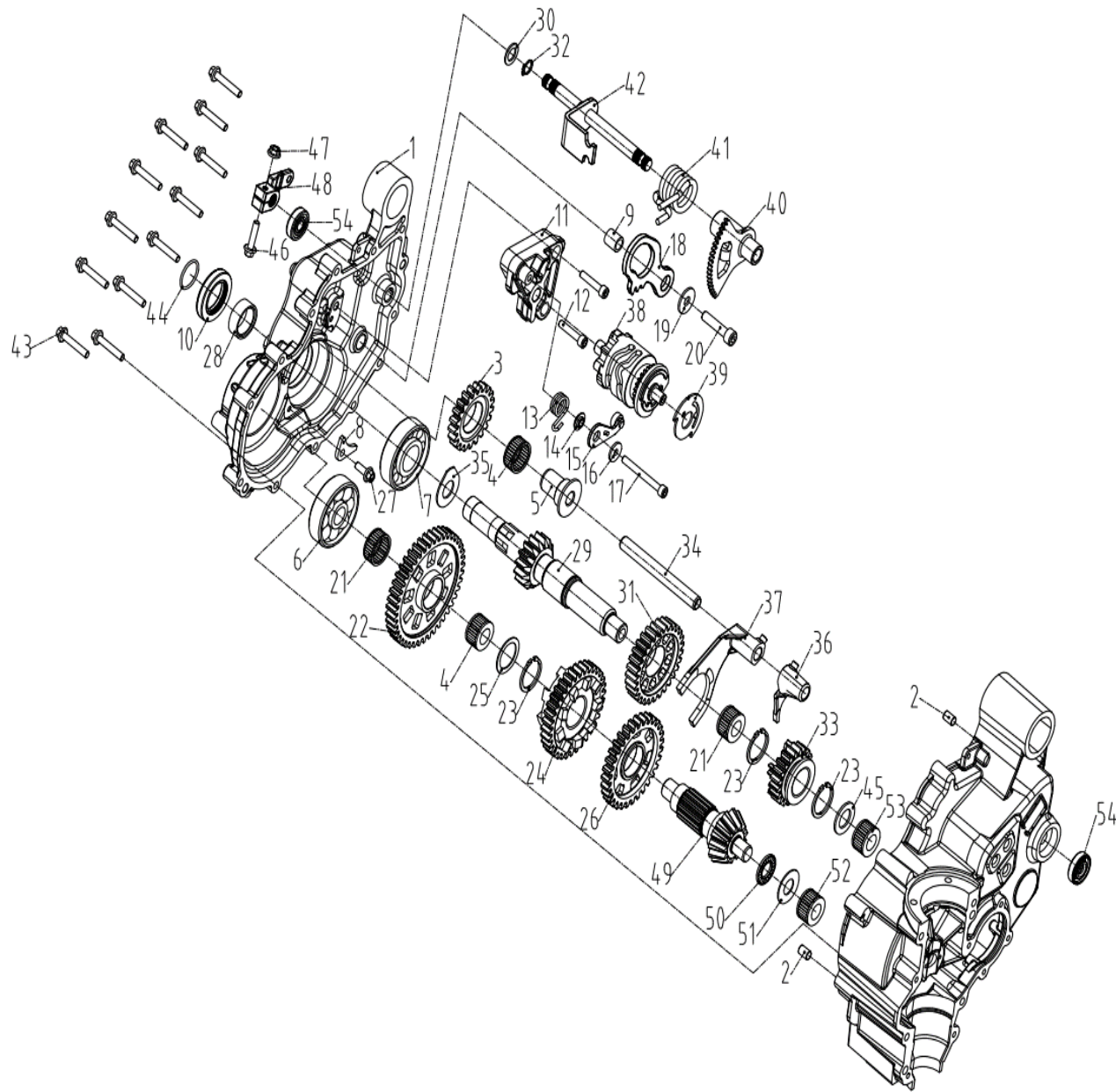


Fig 8: Växellåda 1

Ref. no.	P-L Art.	Varunamn	Art. name	OE no.	Antal / pcs
1	N/A	Växelhus vänster kåpa	<i>Gear housing left cover</i>	21040202501	1
2	N/A	Mittstift 8x12	<i>Center pin 8x12</i>	21040105401	4
3	9055356	Mellanväxel, 21 tänder	<i>Intermediate gear, 21 teeth</i>	21040202601	1
4	9055345	Lagernål K252910	<i>Bearing needle K252910</i>	10031252910	2
5	9055355	Mellanväxelaxel	<i>Intermediate gear shaft</i>	21040202801	1
6	9055348	Kullager 6403	<i>Ball bearing 6403</i>	09160006403	1
7	9055376	Kullager 6305	<i>Ball bearing 6305</i>	09160006305	1
8	N/A	Lagersatsplatta	<i>Bearing set plate</i>	21040203001	1
9	9055359	Hylsa av låsspak, 14x10x15	<i>Sleeve of lock lever, 14x10x15</i>	21040203101	1
10	N/A	Oljetätning, 32x47x7	<i>Oil seal, 32x47x7</i>	21040201801	1
11	N/A	Stöd fixeringsblock	<i>Support fixing block</i>	21040203201	1
12	N/A	Insexskruv 6x30	<i>Allen screw 6x30</i>	03344060301	2
13	N/A	Indexfjäder	<i>Index spring</i>	21040203301	1
14	N/A	Stegring	<i>Step ring</i>	21040203401	1
15	9055358	Indexspak	<i>Index lever</i>	21040203501	1
16	N/A	Bricka	<i>Washer</i>	21040203601	1
17	N/A	Insexskruv 6x55	<i>Allen screw 6x55</i>	03344060551	1
18	9055360	Parkeringslåsnivåmontering	<i>Parking lock level assembly</i>	21040203701	1
19	N/A	Bricka 24x8,5x2	<i>Washer 24x8.5x2</i>	21040203801	1
20	N/A	Sexkantsflänsskruv, 24xφ8,5x2	<i>Hex flange screw, 24xφ8.5x2</i>	01224080351	1
21	9055342	Lagernål SB252913TN	<i>Bearing needle SB252913TN</i>	10032252913	2
22	9055341	Revel lågväxel, 43 tänder	<i>Revel low range gear, 43 teeth</i>	21040204001	1
23	N/A	Ring, kvarhållande 27	<i>Ring, retaining 27</i>	07021271204	3
24	9055343	Revel högintervallsväxel, 34 tänder	<i>Revel high range gear, 34 teeth</i>	21040204201	1
25	N/A	Tryckbricka 34x25x1,2	<i>Thrust washer 34x25x1.2</i>	21040206902	1
26	9055346	Revel backväxel, 31 tänder	<i>Revel reverse gear, 31 teeth</i>	21040204401	1
27	N/A	Sexkantsflänsbult 6x16	<i>Hex flange bolt 6x16</i>	01224060161	1
28	9055351	Distansring 32x25x11,4	<i>Distance ring 32x25x11.4</i>	21040201601	1
29	9055352	Huvudaxel z=14	<i>Main shaft z=14</i>	21040204501	1
30	N/A	O-ring 20x12,5x1	<i>O-ring 20x12.5x1</i>	21040205801	1
31	9055353	Kugghjul, 29 kuggar	<i>Gear pinion, 29 teeth</i>	21040204601	1
32	N/A	Låsring	<i>Circlip</i>	07021121004	1
33	9055354	Huvudväxel på lågt intervall, 20 tänder	<i>Main low range gear, 20 teeth</i>	21040204701	1
34	9055369	Gaffelspindel	<i>Fork spindle</i>	21040204801	1

35	N/A	Tryckbricka set	<i>Thrust washer set</i>	21040204909	1
36	9055370	Liten växelgaffel	<i>Small shift fork</i>	21040205001	1
37	9055368	Stor växelgaffel	<i>Big shift fork</i>	21040205101	1
38	9055361	Skift trumenhet	<i>Shift drum assembly</i>	21040205201	1
39	9055362	Isolerande bricka	<i>Isolating washer</i>	21040205301	1
40	9055367	Växla växel	<i>Shifting gear</i>	21040205401	1
41	9055366	Återvänd fjäder	<i>Return spring</i>	21040205501	1
42	9055365	Växelspindel	<i>Gear shift spindle</i>	21040205601	1
43	N/A	Sexkantsflänsbult 6x35	<i>Hex flange bolt 6x35</i>	01224060351	12
44	9055350	O-ring 24x2	<i>O-ring 24x2</i>	21040201501	1
45	9055371	Bricka 30x18x2	<i>Washer 30x18x2</i>	21040206702	1
46	N/A	Sexkantsflänsbult 6x25	<i>Hex flange bolt 6x25</i>	01224060251	1
47	9050206	Sexkantsmutter 6	<i>Hex nut 6</i>	04112060021	1
48	9055372	Skift arm	<i>Shift arm</i>	21040206001	1
49	N/A	Motaxel	<i>Counter shaft</i>	21040201002	1
50	N/A	Lagernål	<i>Bearing needle</i>	10051152802	1
51	N/A	Tryckbricka set mag sida 15x1,0	<i>Thrust washer set mag side 15x1,0</i>	21040201202	1
	N/A	Tryckbricka set mag sida 15x1,1	<i>Thrust washer set mag side 15x1,1</i>	21040201221	1
	N/A	Tryckbricka set mag sida 15x1,2	<i>Thrust washer set mag side 15x1,2</i>	21040201222	1
52	9055384	Lagernål NB152716	<i>Bearing needle NB152716</i>	10011152716	1
53	N/A	Lagernål DB182616	<i>Bearing needle DB182616</i>	10011182616	1
54	N/A	Oljetätning 12x28x7	<i>Oil seal 12x28x7</i>	21040200701	2

Fig 9: Växellåda 2

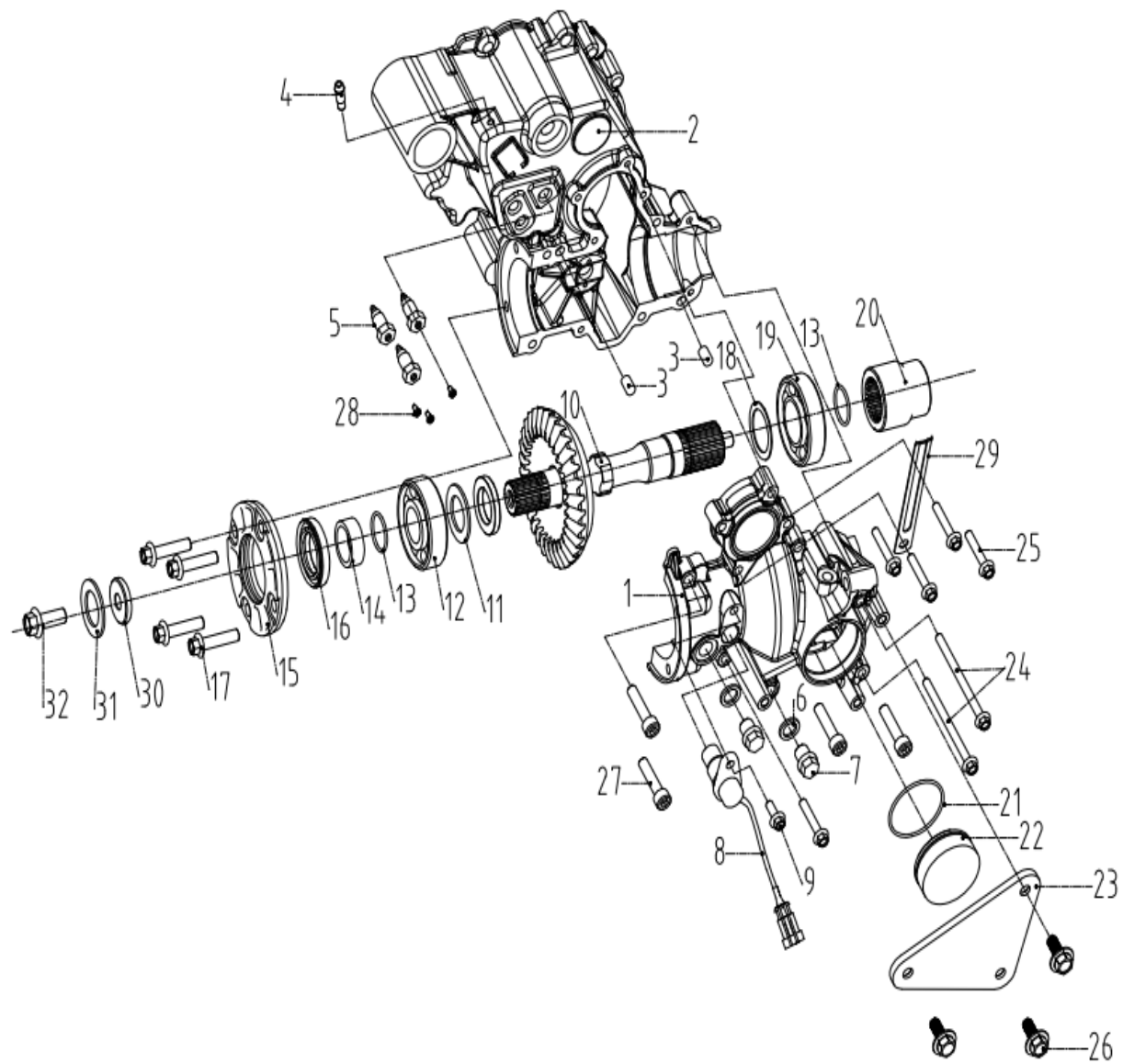


Fig 9: Växellåda 2

Ref. no.	P-L Art.	Varunamn	Art. name	OE no.	Antal / pcs
1	N/A	Växelhus höger kåpa	<i>Gear housing right cover</i>	21040200201	1
2	N/A	Växelhus	<i>Gear housing</i>	21040200301	1
3	N/A	Mittstift 8x12	<i>Center pin 8x12</i>	21040105401	2
4	N/A	Andas rör	<i>Breathe pipe</i>	21040200402	1
5	N/A	Vinkelrotationssensor	<i>Angle rotation sensor</i>	21040200801	3
6	9055297	Kopparbricka 18x12,4x2	<i>Copper washer 18x12.4x2</i>	21040104701	2
7	9055298	Pluggskruv 12x15	<i>Plug screw 12x15</i>	21040104801	2
8	9055379	Sensorhastighet	<i>Sensor-speed</i>	21040200101	1
9	9050220	Sexkantsflänsbult 6x16	<i>Hex flange bolt 6x16</i>	01224060161	1
10	N/A	Drivaxelenhet (används med 21040201002)	<i>Drive shaft assembly (used with</i>	21040200902	1
11	9055397	Tryckbricka	<i>Thrust washer</i>	21040201302	1
12	9055376	Kullager 6305	<i>Ball bearing 6305</i>	09160006305	1
13	9055350	O-ring 24x2	<i>O-ring 24x2</i>	21040201501	1
14	9055351	Distansring 32x25x11,4	<i>Distance ring 32x25x11.4</i>	21040201601	1
15	9055374	Lagerskydd	<i>Bearing cover</i>	21040201701	1
16	9055349	Oljetätning 32x47x7	<i>Oil seal 32x47x7</i>	21040201801	1
17	N/A	Sexkantsflänsbult 8x25	<i>Hex flange bolt 8x25</i>	01225080251	4
18	N/A	Juster brickan	<i>Adjust washer</i>	21040201907	1
18	N/A	Juster brickan	<i>Adjust washer</i>	21040201903	1
19	9055383	Kullager 6206	<i>Ball bearing 6206</i>	09160006206	1
20	9055382	Skifthyllsats	<i>Shifting sleeve kit</i>	21040202101	1
21	9055380	O-ring 47x2	<i>O-ring 47x2</i>	21040115801	1
22	N/A	Växellådans plugg	<i>Gear box plug</i>	21140210301	1
23	N/A	Växellåda plåt	<i>Gear box plate</i>	21140210202	1
24	N/A	Sexkantsflänsbult 6x85	<i>Hex flange bolt 6x85</i>	01214060851	2
25	N/A	Sexkantsflänsbult 6x35	<i>Hex flange bolt 6x35</i>	01224060351	5
26	N/A	Flänsad torxskruv 8x20	<i>Flanged torx screw 8x20</i>	21040102301	3
27	N/A	Insexskruv M8x35	<i>Allen screw M8x35</i>	03344080351	4
28	N/A	Skruv 3x6	<i>Screw 3x6</i>	21040206501	3
29	N/A	Trådållare	<i>Wire holder</i>	21040402401	1
30	N/A	Bricka	<i>Washer</i>		
31	N/A	Bricka	<i>Washer</i>		
32	N/A	Bult	<i>Bolt</i>		

Fig 10: Drivaxel

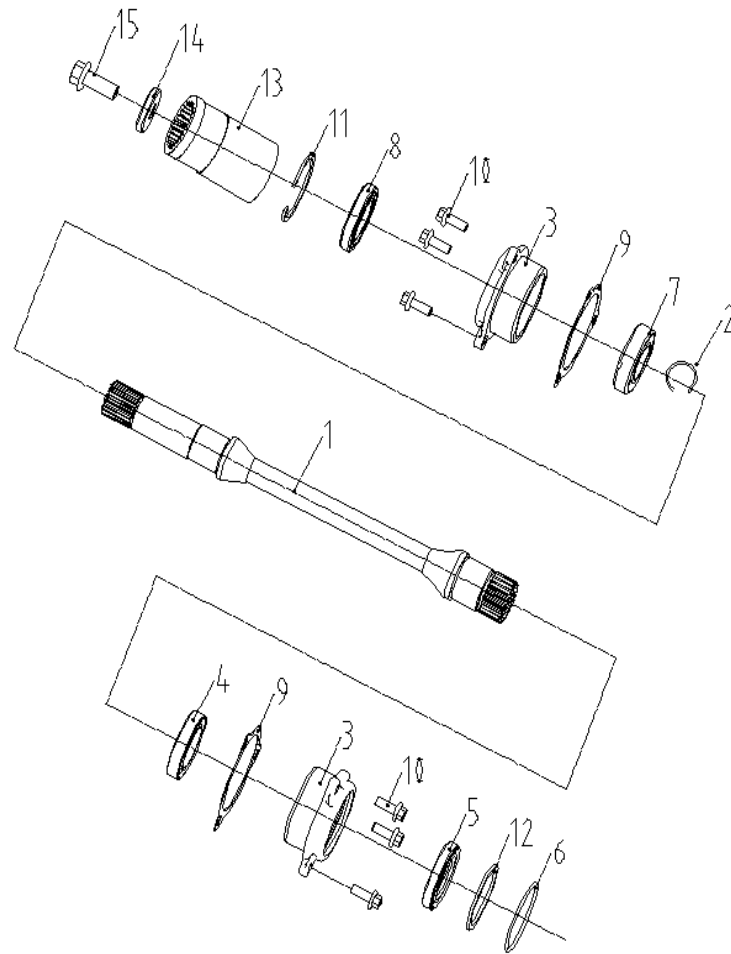


Fig 11: CVT-koppling, drivrem

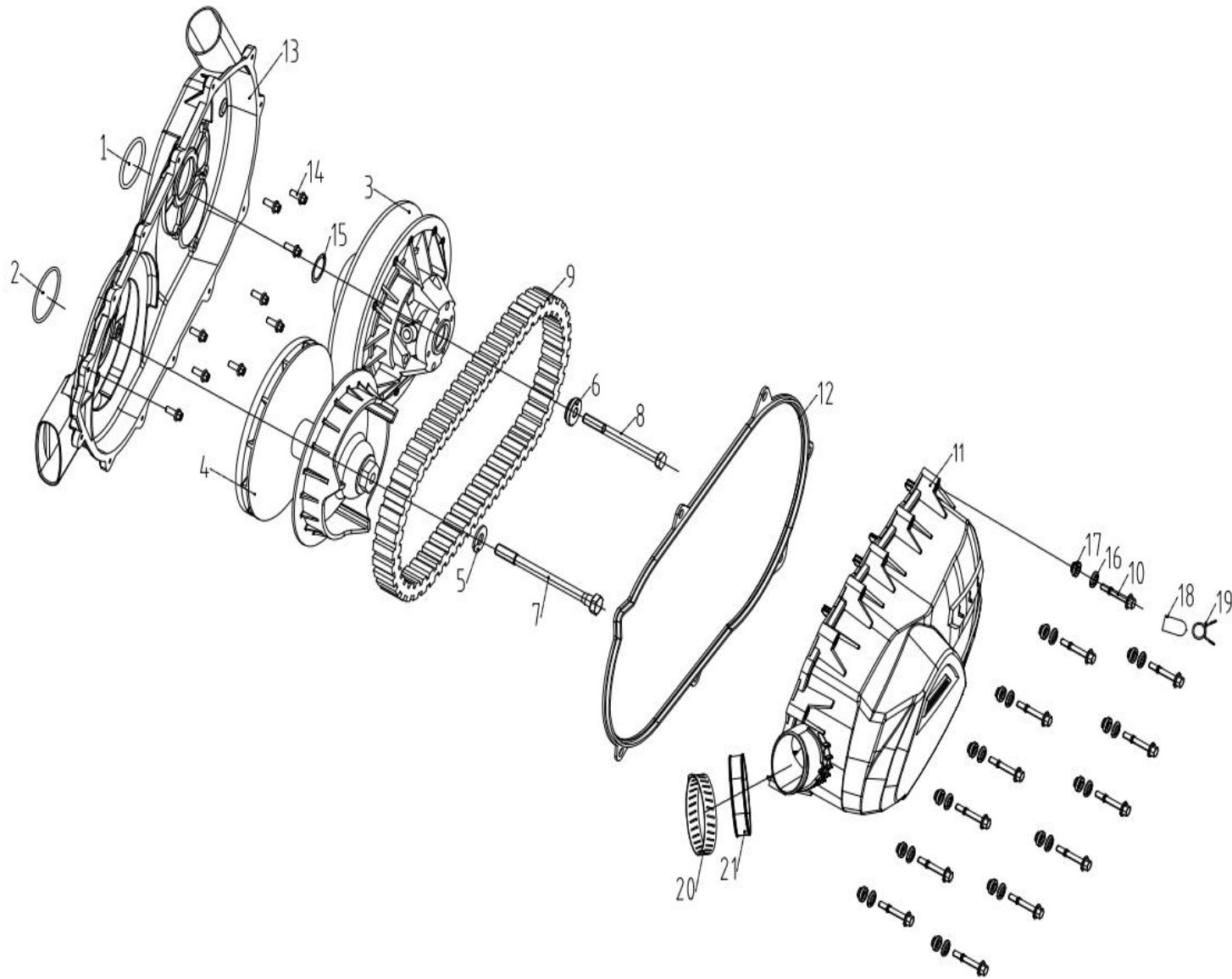


Fig 12: Insug, bensinmunstycke, gasspjäll

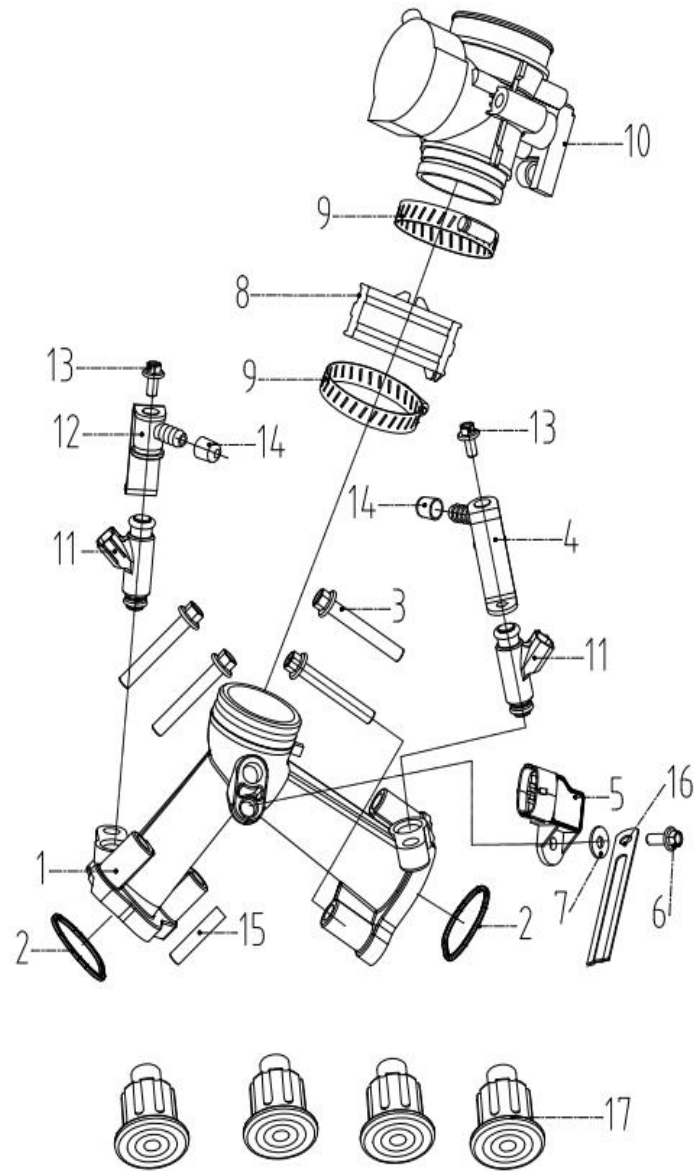


Fig 13: Motor tillbehör

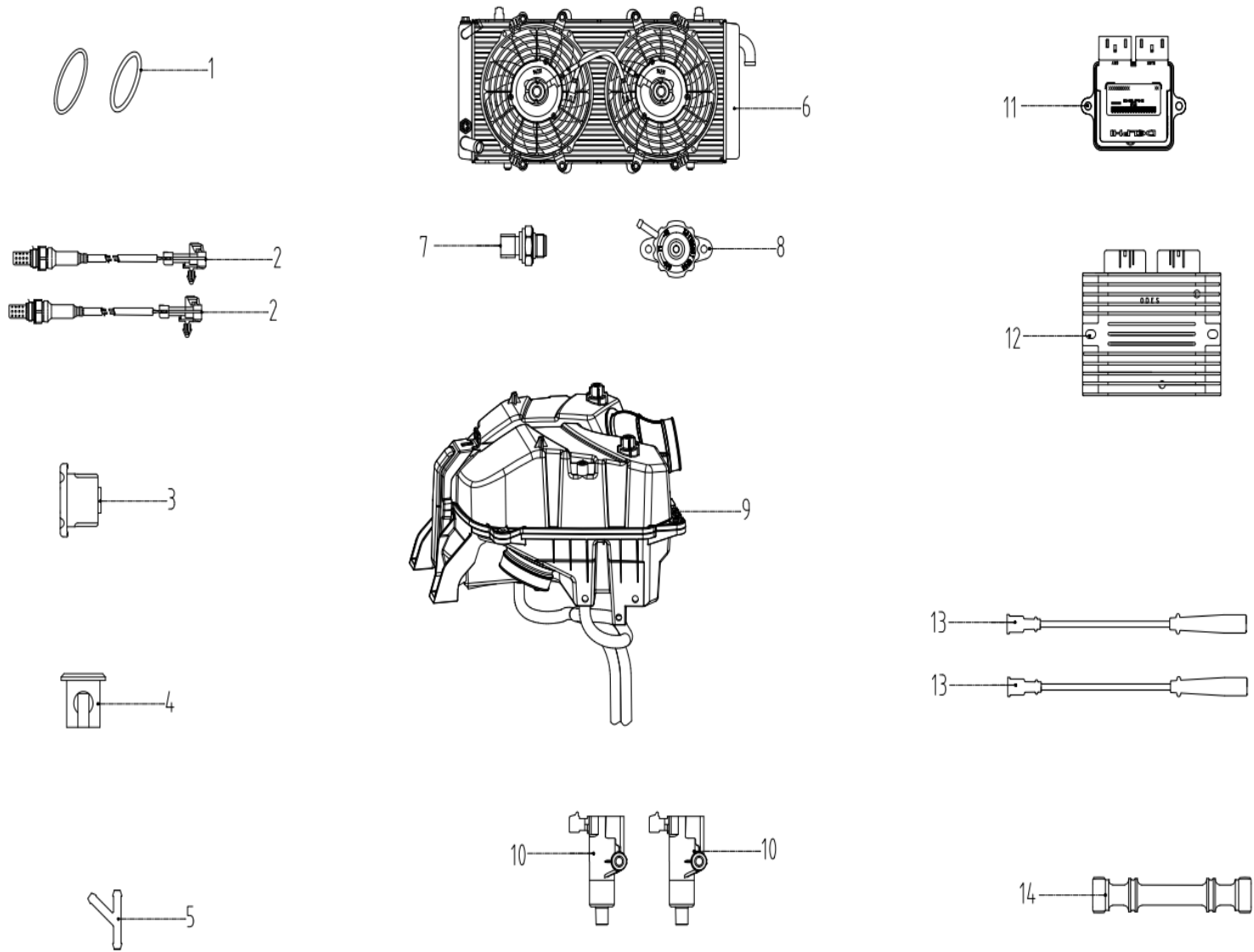


Fig 13: Motor tillbehör

Ref. no.	P-L Art.	Varunamn	Art. name	OE no.	Antal / pcs
1	9055443	Avgaspackning	<i>Exhaust gasket</i>	21040400101	2
2	9055444	O2 sensor	<i>O2 sensor</i>	21040400701	2
3	N/A	Avgas stötdämpare	<i>Exhaust shock absorbers</i>	21021100301	1
4	N/A	Kopparspänne	<i>Copper buckle</i>	21040505601	1
5	N/A	Y-formad kontakt	<i>Y-shaped connector</i>	21170102801	1
6	N/A	Kylfläkt	<i>Cooling fan</i>	21170101501	1
7	9055452	Termostat 82	<i>Thermostat 82</i>	21040402202	1
8	9065312	Kylarlock	<i>Radiator cap</i>	21040400913	1
9	N/A	Luftfilterkropp	<i>Air filter body</i>	21170101701	1
10	9055438	Tändspole	<i>Ignition coil</i>	21040400201	2
11	9065313	ECU-modul	<i>ECU module</i>	21170101301	1
12	9065314	Spänningsregulator (hög effekt)	<i>Voltage regulator (high power)</i>	21051100203	1
13	N/A	Tändstiftskabel	<i>Spark plug cable</i>	21170102401	1
14	N/A	Axel	<i>Shaft</i>	21170101801	1