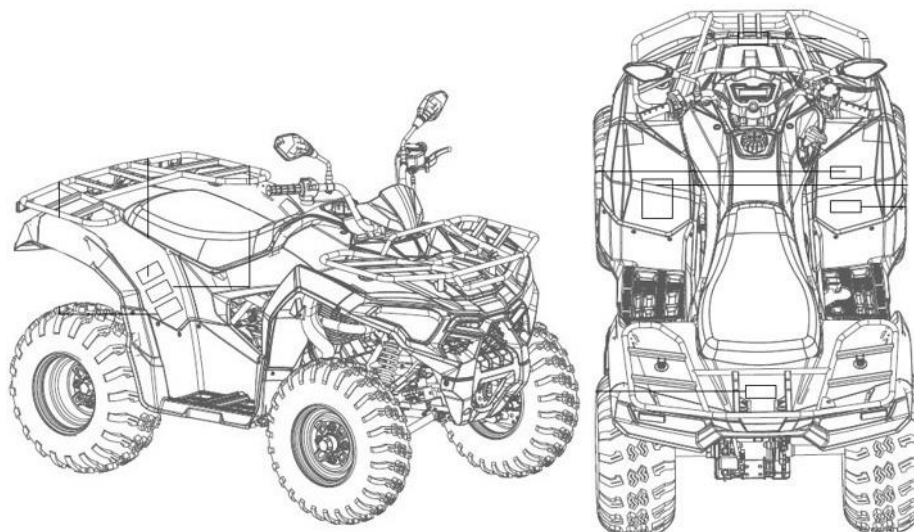


ATV



# LONCIN ATV XWOLF 300



**Reservedelskatalog**

**Kataloget dækker flg. varenumre:**

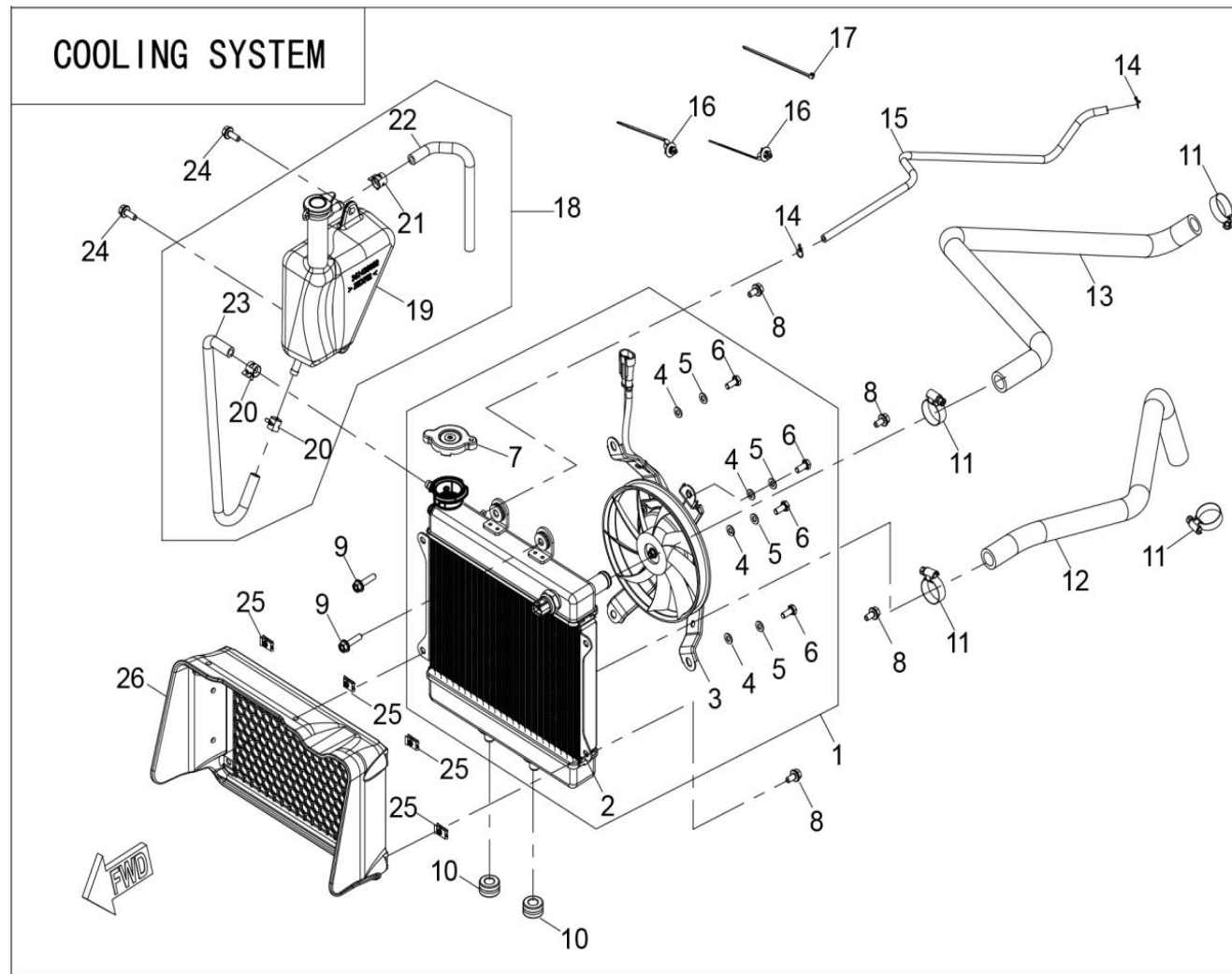
9069224

**LONCIN**

## INDHOLDSFORTEGNELSE / CONTENTS

	<b>CHASSIS / BODY</b>			<b>MOTOR / ENGINE</b>	
<i>Figur 1</i>	Kølesystem / Cooling system	2	<i>Figur E1</i>	Højre krumtap / Right crankcase	41
<i>Figur 2</i>	Brændstoftank / Fuel tank	4	<i>Figur E2</i>	Venstre krumtap / Left crankcase	42
<i>Figur 3</i>	Luftfilter / Air cleaner	6	<i>Figur E3</i>	Venstre krumtaphus / Left crankcase cover	43
<i>Figur 4</i>	Udstødning - lyddæmper / Exhaust - muffler	8	<i>Figur E4</i>	Højre krumtaphus (1) / Right crankcase cover (1)	45
<i>Figur 5</i>	Gearstang / Reverse gear shift device	10	<i>Figur E5</i>	Højre krumtaphus (2) / Right crankcase cover (2)	46
<i>Figur 6</i>	Motor / Engine	12	<i>Figur E6</i>	Cylinder / Cylinder	47
<i>Figur 7</i>	Gearkasse / Rear transmission	13	<i>Figur E7</i>	Cylinderhoved / Cylinder head	48
<i>Figur 8</i>	Elektriske dele (1) / Electrical (2)	15	<i>Figur E8</i>	Krumtapaksel / Crankshaft	50
<i>Figur 9</i>	Elektriske dele (2) / Electrical (2)	17	<i>Figur E9</i>	Motorventil / Valve actuating mechanism	51
<i>Figur 10</i>	Forlygter / Headlight	18	<i>Figur E10</i>	Oliesmøring / Lubricating system	53
<i>Figur 11</i>	Baglygter / Tail light	19	<i>Figur E11</i>	Start drev / Starting mechanism	54
<i>Figur 12</i>	Bremsesystem / Brake system	20	<i>Figur E12</i>	Gearkasse / Transmission case	55
<i>Figur 13</i>	Forhjul / Front wheel	22	<i>Figur E13</i>	Hovedaksel / Main shaft	57
<i>Figur 14</i>	Baghjul / Rear wheel	24	<i>Figur E14</i>	Udgangsaksel / Countershaft	58
<i>Figur 15</i>	Stel / Frame	25	<i>Figur E15</i>	Mellemaksel / Reverse gear intermediate axle	59
<i>Figur 16</i>	Forhjulsophæng / Front hanger system	27	<i>Figur E16</i>	Udgangsaksel, gearkasse / Output shaft unit	60
<i>Figur 17</i>	Bagtøj / Rear hanger system	29	<i>Figur E17</i>	Skiftegaffel / Speed control mechanism	62
<i>Figur 18</i>	Styr / Steering	31	<i>Figur E18</i>	Remtræk / Belt driving assy	64
<i>Figur 19</i>	Bagagebærer / Luggage carrier	33	<i>Figur E19</i>	Start motor / Starting motor	65
<i>Figur 20</i>	Fodhvilere / Footrest	35	<i>Figur E20</i>	Stator / Magneto set	66
<i>Figur 21</i>	For kofanger / Front fender	37	<i>Figur E21</i>	Kølesystem / Cooling system	67
<i>Figur 22</i>	Bag kofanger / Rear fender	39			

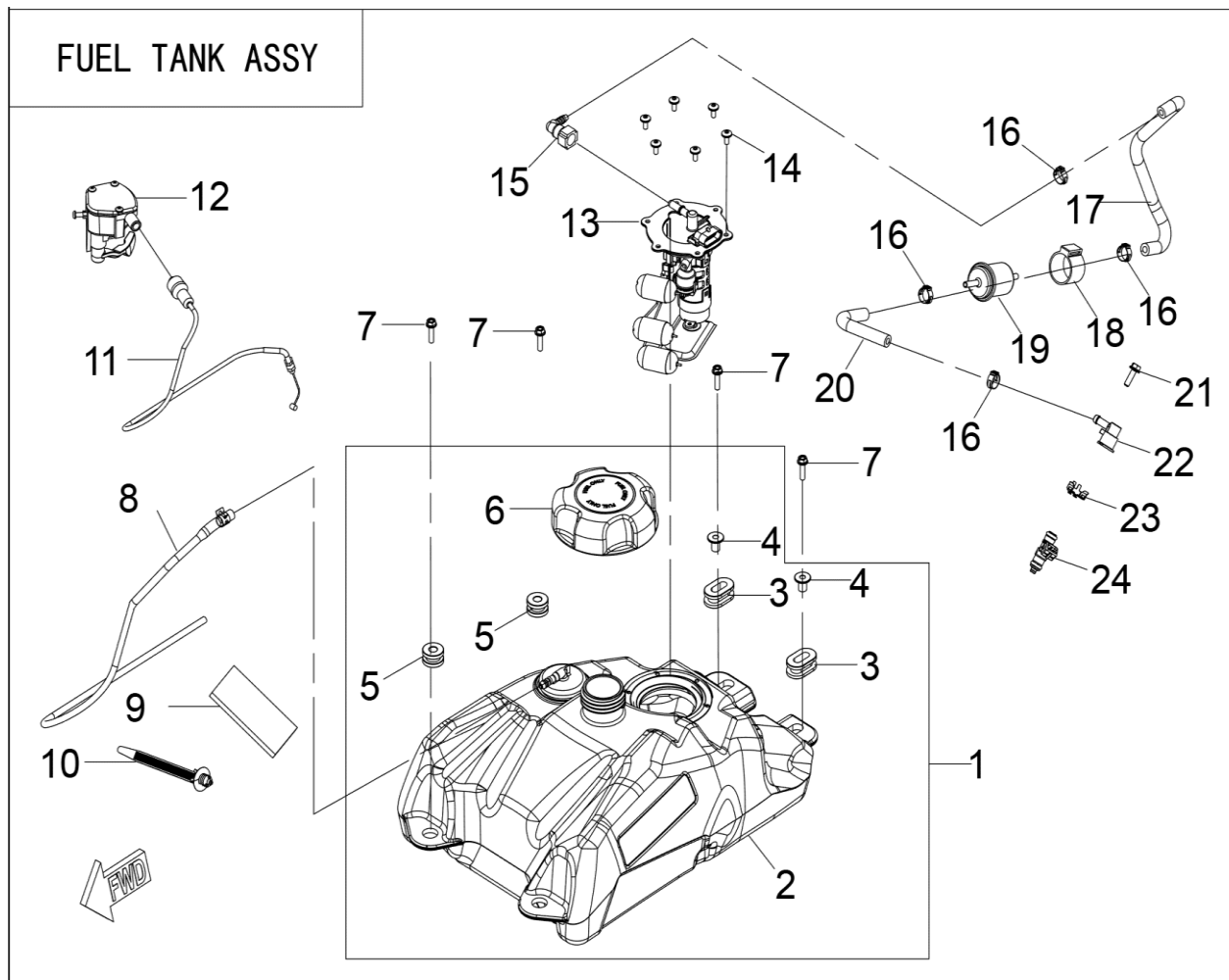
FIGUR 1  
– KØLESYSTEM



## DELE TIL FIG 1

Pos	Varenr / item no	Varenavn	Item name	OE	stk / qty
1	N/A	Køler, komplet	RADIATOR COMP.	160010162-0001	1
2	9070920	Køler	HEAT RADIATOR	160010162-0001	1
3	9070921	Blæser	FAN ASSY.	160240050-0001	1
4	N/A	Skive	WASHER, PLAIN	380450004-0014	4
5	N/A	Gummiskive	WASHER, ELASTIC	380460003-0013	4
6	N/A	Bolt	BOLT, HEXAGON	380070056-0002	4
7	9070922	Dæksel (påfyldning)	CAP, FILLER	160050009-0001	1
8	N/A	Bolt	BOLT, HEXAGON FLANGE	380140067-0001	4
9	N/A	Bolt	BOLT, HEXAGON FLANGE	380140103-0002	2
10	9070431	Gummistykke	I-RUBBER	380890129-0001	2
11	N/A	Spændebånd	HOOP ASSY.	380960248-0001	4
12	9070924	Kølerslange	COOL WATER TUBE	161740016-0001	1
13	9070925	Kølerslange	COOL WATER TUBE	161740015-0001	1
14	N/A	Clamp	CLAMP, TUBE	380950012-0003	2
15	9070926	Kølerslange	COOL WATER TUBE	161740014-0001	1
16	N/A	Kabelbinder	BAND	380900267-0001	2
17	N/A	Kabelbinder	BAND	380900077-0002	1
18	9070927	Ekspansionsbeholder, komplet	SUPPLEMENTARY CAN COMP.	161430002-0001	1
19	N/A	Ekspansionsbeholder	SUPPLEMENTARY CAN	161420002-0001	1
20	N/A	Clamp	CLAMP, TUBE	380950387-0001	2
21	N/A	Clamp	CLAMP, TUBE	380950386-0001	1
22	N/A	Kølerslange	COOL WATER TUBE	161740012-0001	1
23	N/A	Kølerslange	COOL WATER TUBE	161740013-0001	1
24	N/A	Bolt	BOLT, HEXAGON FLANGE	380140013-0003	2
25	9071072	Møtrik M6	NUT, CLIP	380420035-0001	4
26	9070928	Kølergitter	HEAT RADIATOR DECORATIVE COVER	161490008-0001	1

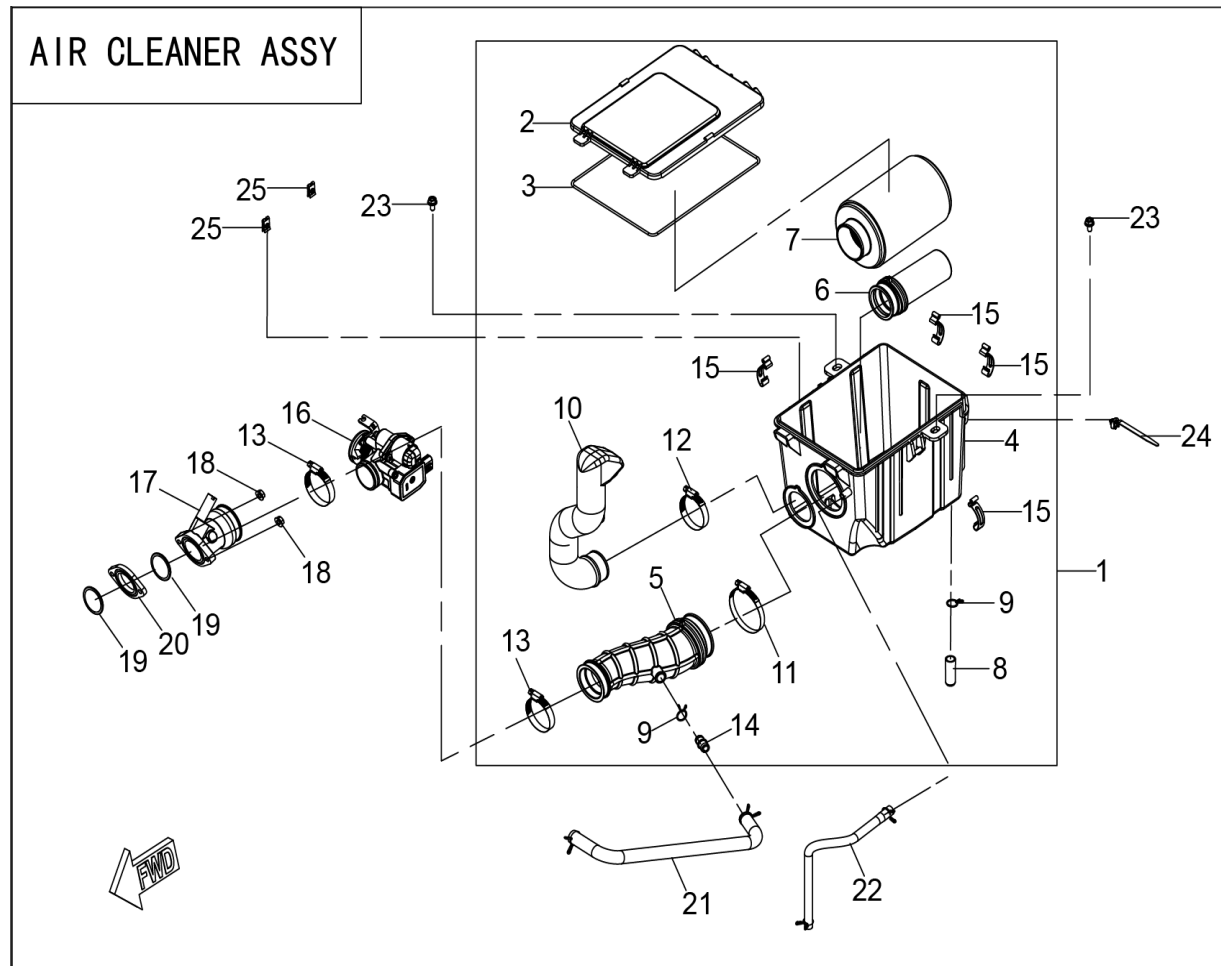
FIGUR 2  
– BRÆNDSTOFTANK



## DELE TIL FIG 2

Pos	Varenr / item no	Varenavn	Item name	OE	stk / qty
1	9070929	Benzintank, komplet	FUEL TANK COMP.	170490353-0001	1
2	N/A	Benzintank	FUEL TANK	170501572-0001	1
3	9070548	Gummistykke v/benzintank	I-RUBBER	380890389-0001	2
4	N/A	Krave	COLLAR	380823116-0001	2
5	9070930	Gummistykke v/benzintank	I-RUBBER	380890335-0001	2
6	9070550	Benzindæksel	CAP, FUEL TANK	170870180-0001	1
7	N/A	Bolt	BOLT, HEXAGON FLANGE	380140054-0001	4
8	N/A	Ånderør	TUBE, BREATHER	380741508-0001	1
9	N/A	Holder	FOAM BEARER	361000105-0001	1
10	N/A	Kabelbinder	BAND	380900267-0001	1
11	9070923	Gaskabel, komplet	CABLE COMP., THROTTLE	171210763-0001	1
12	9070931	Gasgiver	GREASER COMP.	320190286-0001	1
13	9070932	Brændstofpumpe	FUEL PUMP, ELECTRIC	172720015-0001	1
14	N/A	Skrue	SCREW, HEXAGON SOCKET	380190131-0001	6
15	9070933	Samler	JOINT OF SWIFT CHANGE	273610003-0001	1
16	N/A	Clamp	CLAMP, TUBE	380950352-0001	4
17	N/A	Brændstofslange	FUEL TUBE	175280017-0001	1
18	N/A	Gummikrave	RUBBER JACKET, FUEL FILTER	173060008-0001	1
19	9070934	Benzinfilter	FILTER, FUEL	170010035-0001	1
20	N/A	Brændstofslange	FUEL TUBE	175280018-0001	1
21	N/A	Bolt	BOLT, HEXAGON FLANGE	380140077-0002	1
22	9070935	Dæksel (indsprøjtning)	CAP, FUEL OIL INJECTOR	173020027-0001	1
23	N/A	Spændebånd	HOOP, FUEL OIL INJECTOR	173030007-0001	1
24	9070936	Indsprøjtningssdyse, komplet	FUEL OIL INJECTOR COMP.	173010041-0001	1

FIGUR 3  
– LUFTFILTER

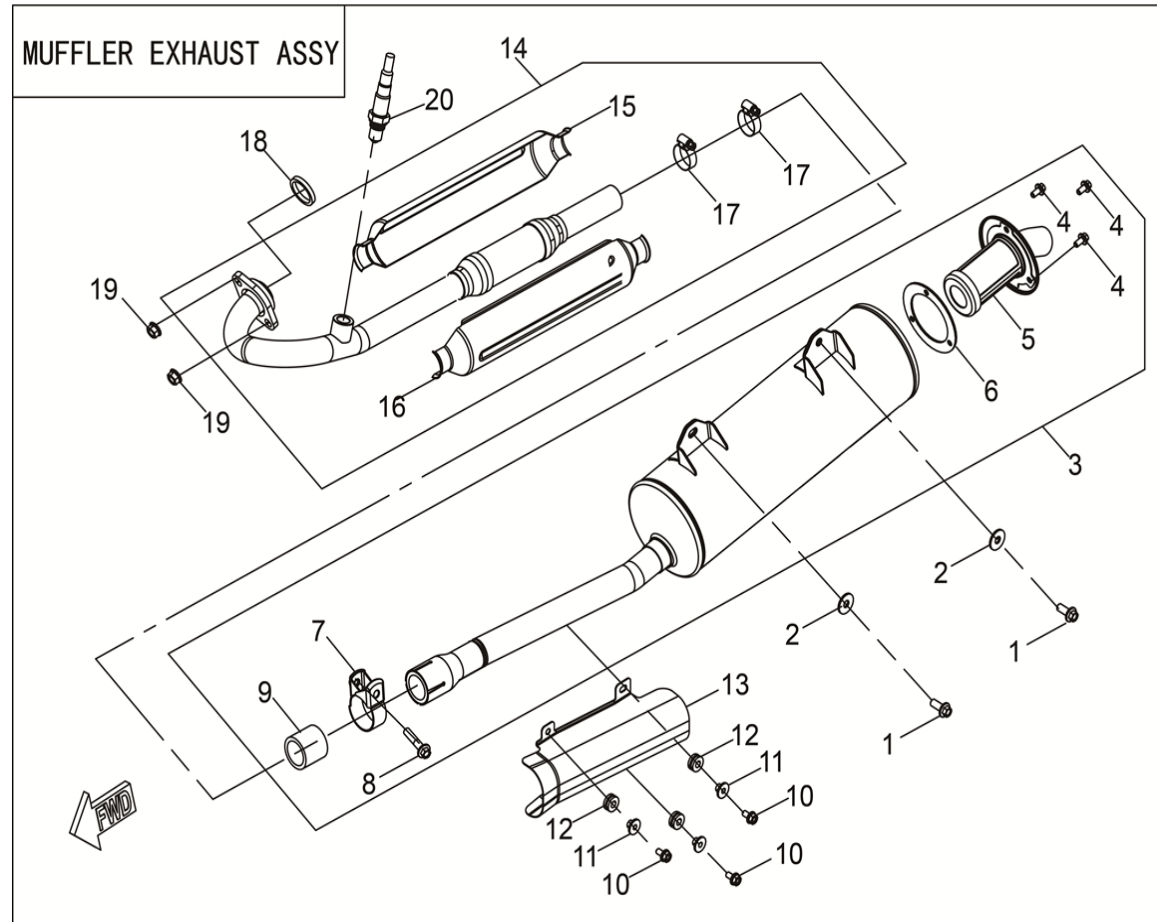


## DELE TIL FIG 3

Pos	Varenr / item no	Varenavn	Item name	OE	stk / qty
1	9070937	Luftfilter, komplet	AIR CLEANER COMP.	180021090-0001	1
2	N/A	Dæksel	CAP, AIR CLEANER CASE	180070314-0001	1
3	N/A	Gummiliste	GLAND STRIP, AIR CLEANER	180090094-0001	1
4	N/A	Luftfilterhus	CASE, AIR CLEANER	180040164-0001	1
5	9070938	Luftfilterslange	TUBE, AIR CLEANER CONNECTING	180180238-0001	1
6	9070939	Luftfilterslange	TUBE, AIR CLEANER CONNECTING	180180239-0001	1
7	9070940	Luftfilter element	ELEMENT ASSY., AIR CLEANER	180100136-0001	1
8	N/A	Prop	STOPPER	381000465-0001	1
9	N/A	Clamp	CLAMP, TUBE	380950058-0005	2
10	N/A	Indsugningsrør	INTAKE TUBE, AIR CLEANER	180150114-0001	1
11	N/A	Spændebånd	HOOP ASSY.	380960158-0001	1
12	N/A	Spændebånd	HOOP ASSY.	380960302-0001	1
13	N/A	Spændebånd	HOOP ASSY.	380960303-0001	2
14	N/A	Samler	JOINT, CONNECTING	380780300-0001	1
15	N/A	Clips	CLIP, AIR CLEANER COVERING	180170026-0001	4
16	9070941	Gasspjældshus, komplet	BODY ASSY., THROTTLE	172810082-0001	1
17	9070942	Indsugningsslange	TUBE, AIR INTAKE	180420917-0001	1
18	9071070	Flangemøtrik M6	NUT, HEXAGON FLANGE	380370003-0002	2
19	9070943	O-ring	RING, SEAL	380840702-0001	2
20	9070944	Tætningsplade	INSULATION BLANKET	181600077-0001	1
21	9070945	Ånderør (1)	TUBE, BREATHER	380741446-0001	1
22	9070946	Ånderør (2)	TUBE, BREATHER	380741507-0001	1
23	N/A	Skrue	SCREW, HEXAGON SOCKET	380190007-0001	2
24	N/A	Kabelbinder	BAND	380900267-0001	1
25	9071072	Møtrik M6	NUT, CLIP	380420035-0001	2



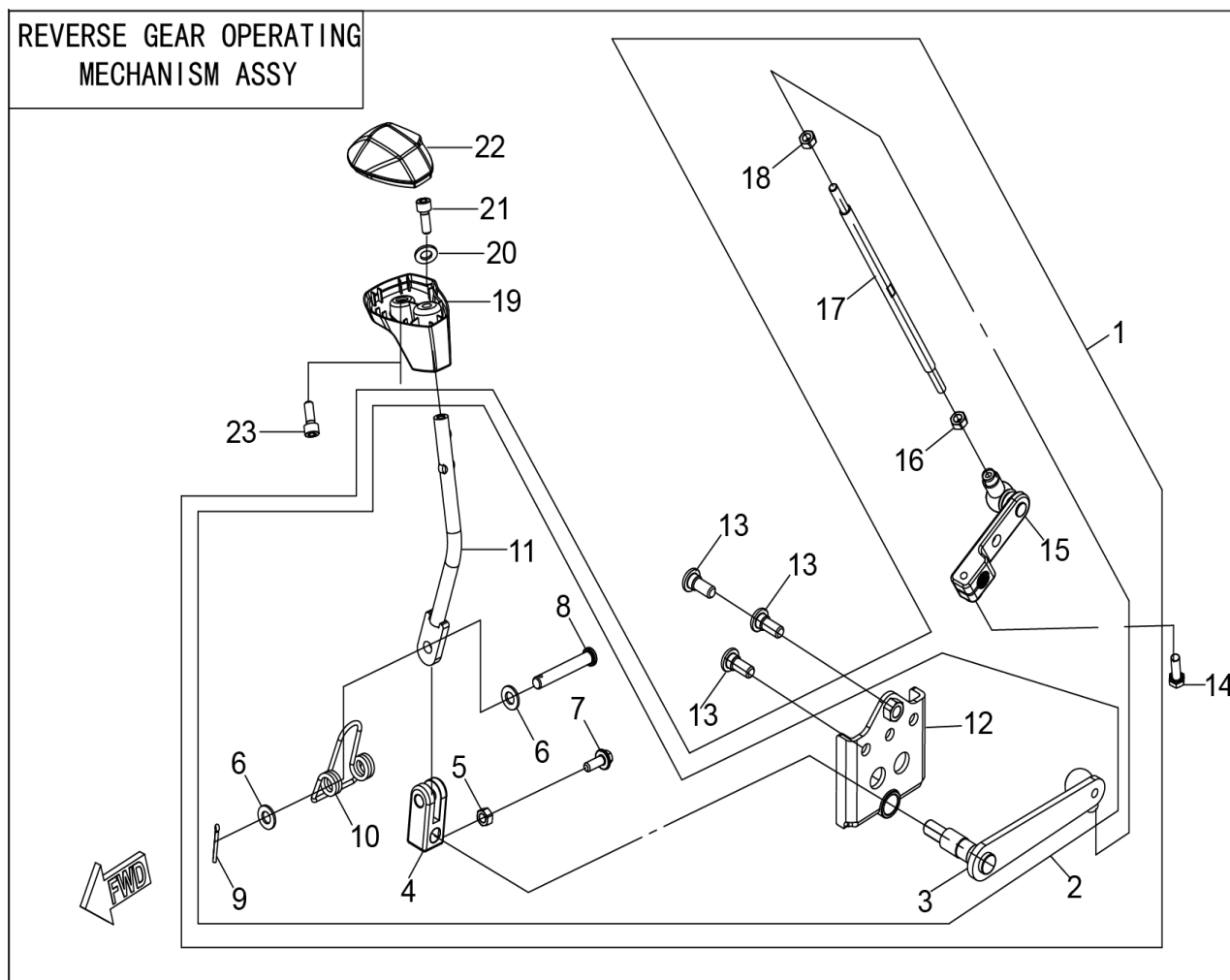
FIGUR 4  
 – UDSTØDNING / LYDDÆMPER



## DELE TIL FIG 4

Pos	Varenr / item no	Varenavn	Item name	OE	stk / qty
1	N/A	Bolt	<i>BOLT, HEXAGON FLANGE</i>	380140070-0005	2
2	N/A	Planskive	<i>WASHER, PLAIN</i>	380450019-0002	2
3	9070947	Lyddæmper, komplet	<i>MUFFLER COMP., EXHAUST</i>	180572496-0001	1
4	N/A	Bolt	<i>BOLT, HEXAGON FLANGE</i>	380140001-0002	3
5	N/A	For-rør	<i>COLLECTOR, SPARK</i>	180780054-0001	1
6	N/A	Pakning	<i>GASKET, SPARK COLLECTOR</i>	181960012-0001	1
7	N/A	Spændebånd	<i>HOOP</i>	380970094-0001	1
8	N/A	Bolt	<i>BOLT, HEXAGON FLANGE</i>	380140005-0002	1
9	N/A	Pakning ved lyddæmper	<i>GASKET, MUFFLER</i>	180660093-0001	1
10	N/A	Bolt	<i>BOLT, HEXAGON FLANGE</i>	380140013-0003	3
11	N/A	Krave	<i>COLLAR</i>	380820905-0001	3
12	N/A	Gummistykke	<i>I-RUBBER</i>	380890174-0001	3
13	N/A	Varmsekjold	<i>THERMAL BAFFLE, MUFFLER</i>	182090016-0001	1
14	9070948	Udstødningsrør, komplet	<i>FRONT PART, MUFFLER EXHAUST</i>	181160072-0001	1
15	9070949	Afskærmning, udstødning	<i>SHIELD, EXHAUST PIPE</i>	181900022-0001	1
16	9070950	Afskærmning, udstødning	<i>SHIELD, EXHAUST PIPE</i>	181900021-0001	1
17	N/A	Spændebånd	<i>HOOP ASSY.</i>	380960206-0001	2
18	9070951	Pakning ved udstødningsør	<i>GASKET, EXHAUST OPENING</i>	180650138-0001	1
19	N/A	Møtrik	<i>NUT, HEXAGON FLANGE</i>	380370010-0001	2
20	9070569	Lambda sonde	<i>OXYGEN SENSOR</i>	172750024-0001	1

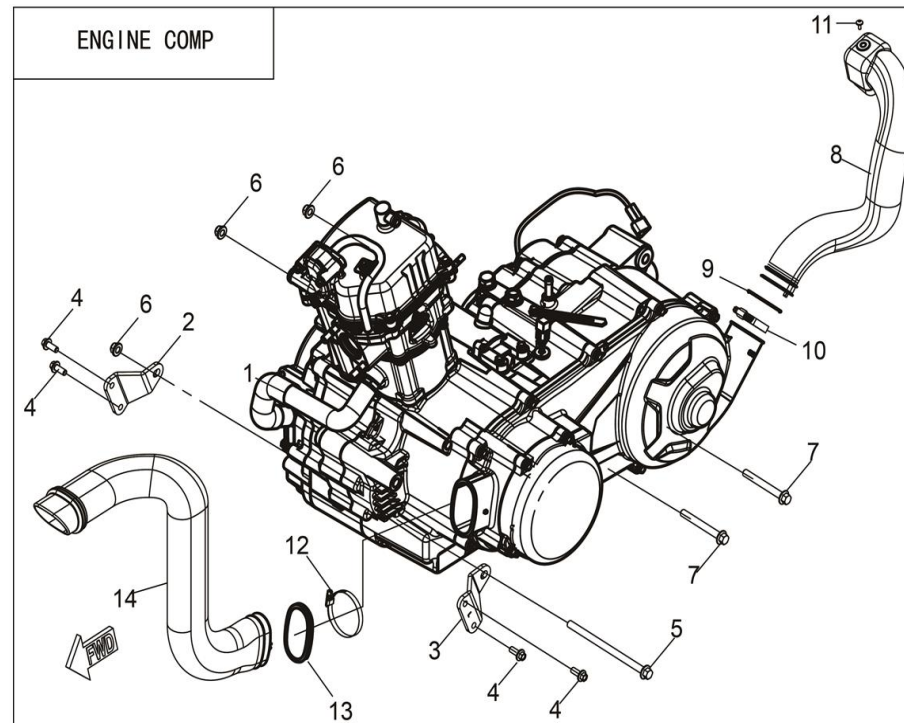
FIGUR 5  
– GEARSTANG



## DELE TIL FIG 5

Pos	Varenr / item no	Varenavn	Item name	OE	stk / qty
1	9070952	Gearskifte, komplet	GEARSHIFT ASSY.	197330002-0001	1
2	N/A	Gearskifter	GEARSHIFT COMP.	197280003-0001	1
3	N/A	Gearskifteaksel	TURNING SHAFT ASSY. OF GEARSHIFT	197310003-0001	1
4	N/A	Holder	SUPPORTING SEAT OF GEARSHIFT OPERATION	197240002-0001	1
5	N/A	Møtrik	NUT, HEXAGON HEAD	380340011-0013	1
6	N/A	Skive	WASHER, PLAIN	380450003-0012	2
7	N/A	Bolt	BOLT, HEXAGON FLANGE	380140002-0012	1
8	N/A	Splitbolt	PIN, CLEVIS	380610455-0001	1
9	N/A	Splittstift	PIN, COTTER	380590016-0002	1
10	N/A	Strammefjeder	SPRING, TORSIONAL	381160299-0001	1
11	N/A	Gearstang, komplet	GEARSHIFT ROD ASSY.	197250002-0001	1
12	N/A	Beslag	BRACKET OF GEARSHIFT SHAFT	196770008-0001	1
13	N/A	Bolt	BOLT, HEXAGON SOCKET RAISED HEAD WITH SHOULDER	380120012-0001	3
14	N/A	Bolt	BOLT, HEXAGON	380070012-0002	1
15	N/A	Vippearm	SHIFT ROCKER ARM ASSEMBLY	197410002-0001	1
16	N/A	Møtrik	NUT, HEXAGON HEAD	380340041-0001	1
17	N/A	Gearstang	GEARSHIFT ROD	196700031-0001	1
18	N/A	Møtrik	NUT, HEXAGON HEAD	380340011-0013	1
19	N/A	Gearstangsknop	GEARSHIFT LEVER	196280007-0001	1
20	N/A	Skive	WASHER, PLAIN	380450007-0002	1
21	N/A	Skrue	SCREW, HEXAGON SOCKET	380190043-0004	1
22	N/A	Kappe til gearstangsknop	CAP, LEVER	332840002-0001	1
23	N/A	Skrue	SCREW, HEXAGON SOCKET	380190037-0002	1

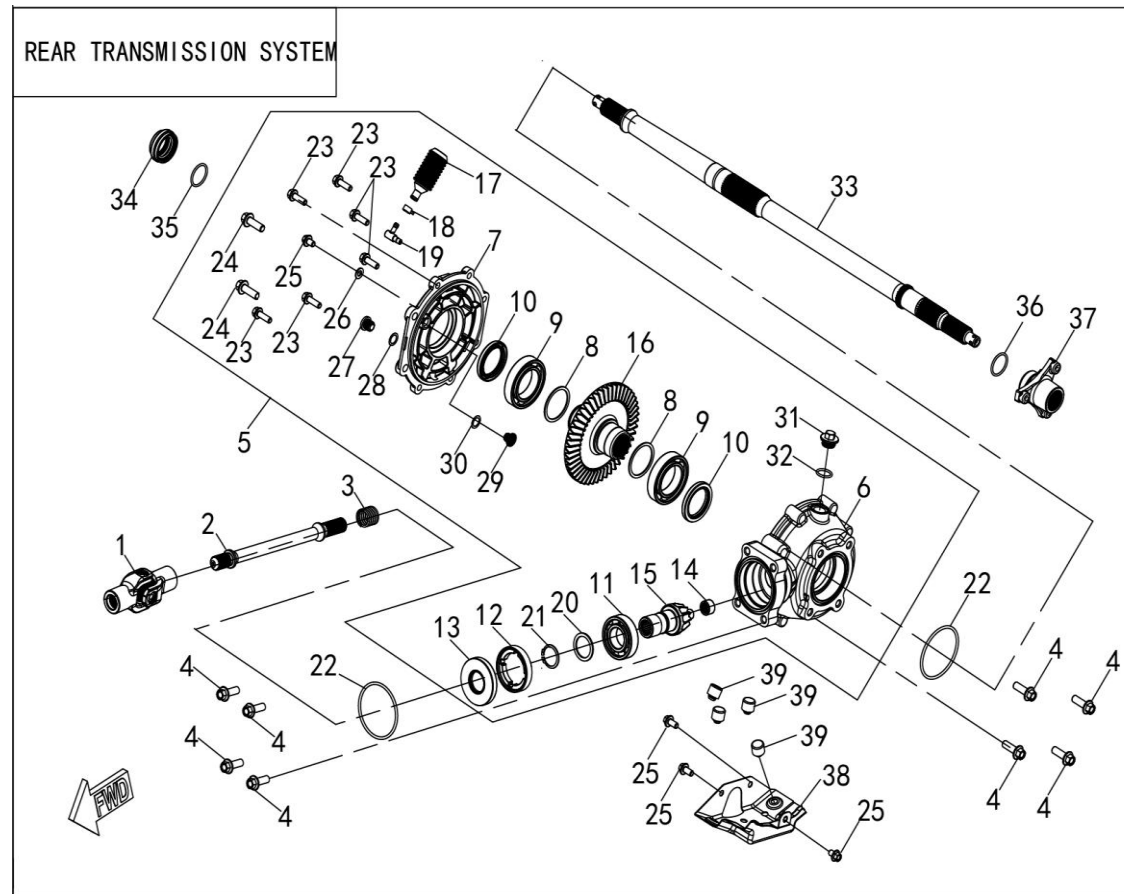
FIGUR 6  
– MOTOR



DELE TIL FIG 6

Pos	Varenr / item no	Varenavn	Item name	OE	stk / qty
1	9070953	Motor, komplet XWolf 300	ENGINE	F1702N0002-2HOV002	1
2	9070954	Motorbeslag, højre	PLATE, RIGHT FRONT ENGINE HANGER	300020206-0001	1
3	9070955	Motorbeslag, venstre	PLATE, LEFT FRONT ENGINE HANGER	300020207-0001	1
4	9071046	Bolt, M8x16	BOLT, HEXAGON FLANGE	380140040-0001	4
5	N/A	Bolt til ophæng	BOLT, ENGINE HANGER	380860113-0003	1
6	N/A	Møtrik	NUT, ALL-METAL HEXAGON W/FLANGE	380400001-0002	3
7	N/A	Bolt	BOLT, HEXAGON FLANGE	380140206-0002	2
8	9070956	Udluftningsrør, nederste del af CVT	LOWER AIR EXHAUST PIPE OF CVT	210030002-0001	1
9	9070957	Tætningsskive (udluftning)	RING, SEAL	380841401-0001	1
10	N/A	Spændebånd	HOOP ASSY.	380960213-0001	1
11	N/A	Skrue	SCREW, HEXAGON SOCKET	380190007-0001	1
12	N/A	Spændebånd	HOOP ASSY.	380960158-0001	1
13	9070958	Tætningsskive (indsugning)	RING, SEAL	380841400-0001	1
14	9070959	Indsugningsrør, nederste del af CVT	LOWER AIR INLET TUBE OF CVT	210100003-0001	1

FIGUR 7  
– TRANSMISSION



DELE TIL FIG 7

Pos	Varenr / item no	Varenavn	Item name	OE	stk / qty
1	9070960	Kardanled	CROSS SHAPED UNIVERSAL JOINT	262100002-0001	1
2	9070961	Aksel	POWER SHAFT	260200597-0001	1
3	N/A	Trykfjeder	SPRING, COMPRESSION	381150400-0001	1
4	N/A	Bolt	BOLT, HEXAGON FLANGE	380140763-0002	8
5	9070962	Bagtøj, j komplet	REAR GEAR BOX	262020002-0001	1
6	N/A	Bagtøjshus	BODY, REAR GEARBOX	260520005-0001	1
7	N/A	Cover f/Bagtøjshus	COVER, REAR GEARBOX	260530007-0001	1
8	N/A	Justeringsskive	ADJUSTING WASHER, REAR GEARBOX	260590009-0001	2

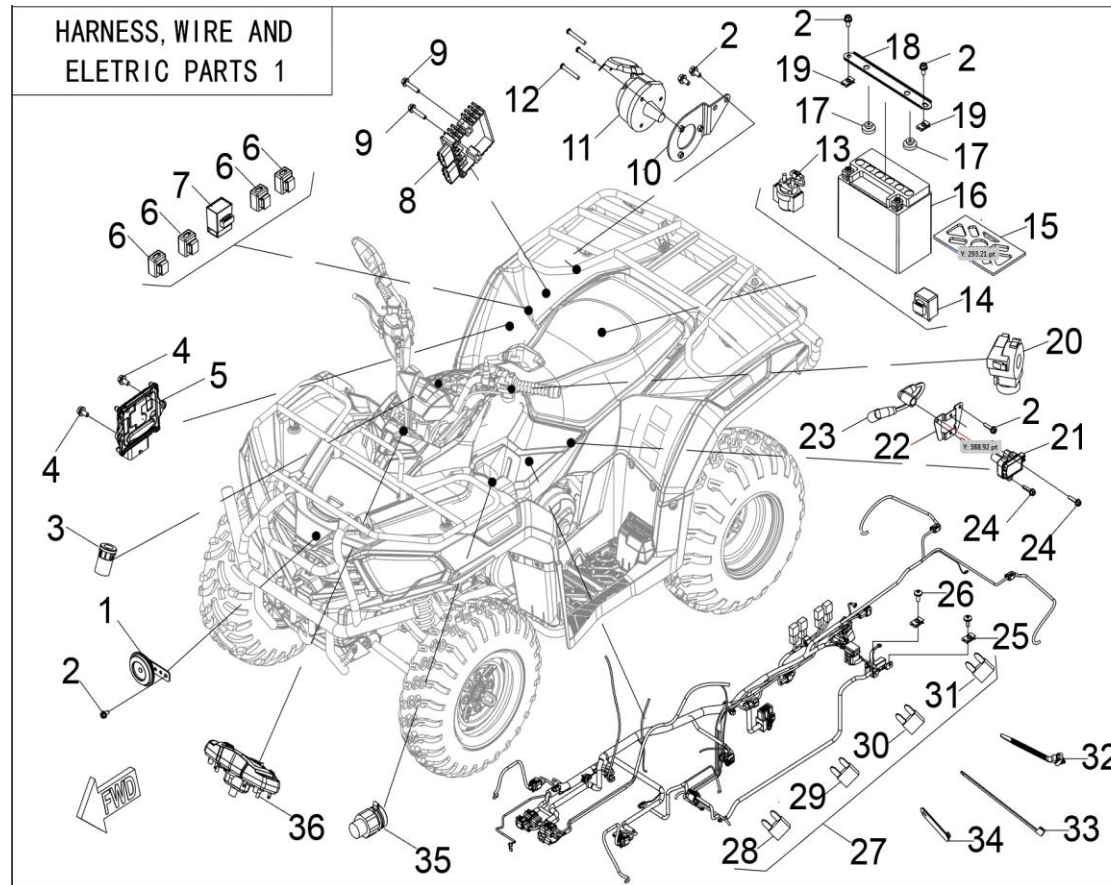
Kontakt  
Tlf salgsafdeling: 7021 2626  
Tlf teknisk support: 7696 2326

P. Lindberg A/S  
Sdr. Ringvej 1  
DK – 6600 Vejen

RES LONCIN XWOLF 300 DK V1  
www.p-lindberg.dk  
e-mail: salg@p-lindberg.dk

Pos	Varenr / item no	Varenavn	Item name	OE	stk / qty
9	N/A	Kugleleje	BEARING	380630354-0001	2
10	9070963	Pakdåse 44x60x7	OIL SEAL	380650863-0001	2
11	N/A	Kugleleje	BEARING	380630206-0001	1
12	N/A	Møtrik	NUT, ROUND	380810112-0001	1
13	9070964	Pakdåse 30x70x10	OIL SEAL	380650862-0001	1
14	N/A	Kugleleje	BEARING	380630772-0001	1
15	N/A	Spidshjul	DRIVING GEAR, REAR GEARBOX	260500009-0001	1
16	N/A	Kronhjul	DRIVEN GEAR, REAR GEARBOX	260500008-0001	1
17	N/A	Udluftningsbeholder	GEARBOX AIRBAG	262550001-0001	1
18	N/A	Clamp	CLAMP, TUBE	380950387-0001	1
19	N/A	Vinkel for udluftning	WASTEGATE, REAR GEARBOX	260540007-0001	1
20	N/A	Justeringskive	ADJUSTING WASHER, REAR GEARBOX	260590011-0001	1
21	N/A	Låsering	CHECK RING, ELASTIC	380550114-0001	1
22	9070965	O-ring	RING, SEAL	380841286-0001	2
23	N/A	Bolt	BOLT, HEXAGON FLANGE	380140125-0003	6
24	N/A	Bolt	BOLT, HEXAGON FLANGE	380140194-0001	2
25	N/A	Bolt	BOLT, HEXAGON FLANGE	380140009-0002	4
26	N/A	Skive	WASHER, PLAIN	380451383-0001	1
27	N/A	Olieaftapningskrue	SCREW, OIL DRAIN	173600007-0001	1
28	N/A	Skive	WASHER, PLAIN	380451382-0001	1
29	N/A	Mellemlæg	PAD, ANTIFRICTION	130190013-0001	1
30	N/A	Justeringskive	ADJUSTING WASHER, REAR GEARBOX	260590010-0001	1
31	9070966	Påfyldningsprop	BOLT, REAR GEARBOX OIL FEED	260560003-0001	1
32	9070967	O-ring	RING, SEAL	380840746-0001	1
33	9070968	Bagaksel	REAR AXLE SHAFT	260440021-0001	1
34	N/A	Støvhætte	DUST PROOF CAP	382400007-0001	1
35	N/A	Låseskive	RING, SEAL	380841398-0001	1
36	N/A	Låseskive	RING,SEAL	380841287-0001	1
37	N/A	Holder	BASE, REAR BRAKE DISK	291960010-0001	1
38	N/A	Afskærmning, bagaksel	FENCE, REAR AXLE	260420012-0001	1
39	N/A	Afdæmpning	DAMPING JACKET	382430006-0001	4

FIGUR 8  
– ELEKTRISKE DELE (1)



DELE TIL FIG 8

Pos	Varenr / item no	Varenavn	Item name	OE	stk / qty
1	N/A	Horn	<i>HORN</i>	280190198-0001	1
2	N/A	Bolt	<i>BOLT, HEXAGON FLANGE</i>	380190007-0001	5
3	9070350	Tænding, kontakt	<i>SWITCH ASSY., IGNITION</i>	271330199-0001	1
4	N/A	Skrue	<i>SCREW, HEXAGON SOCKET</i>	380190043-0004	2
5	9070969	ECU styreboks	<i>ECU ELECTRICAL CONTROLLER</i>	172710160-0003	1
6	N/A	Gummibeskytter	<i>SHEATH, ELECTRICAL PARTS</i>	270870014-0001	4
7	9070970	Relæ	<i>CONTROLLER</i>	423000088-0001	1

Kontakt  
Tlf salgsafdeling: 7021 2626  
Tlf teknisk support: 7696 2326

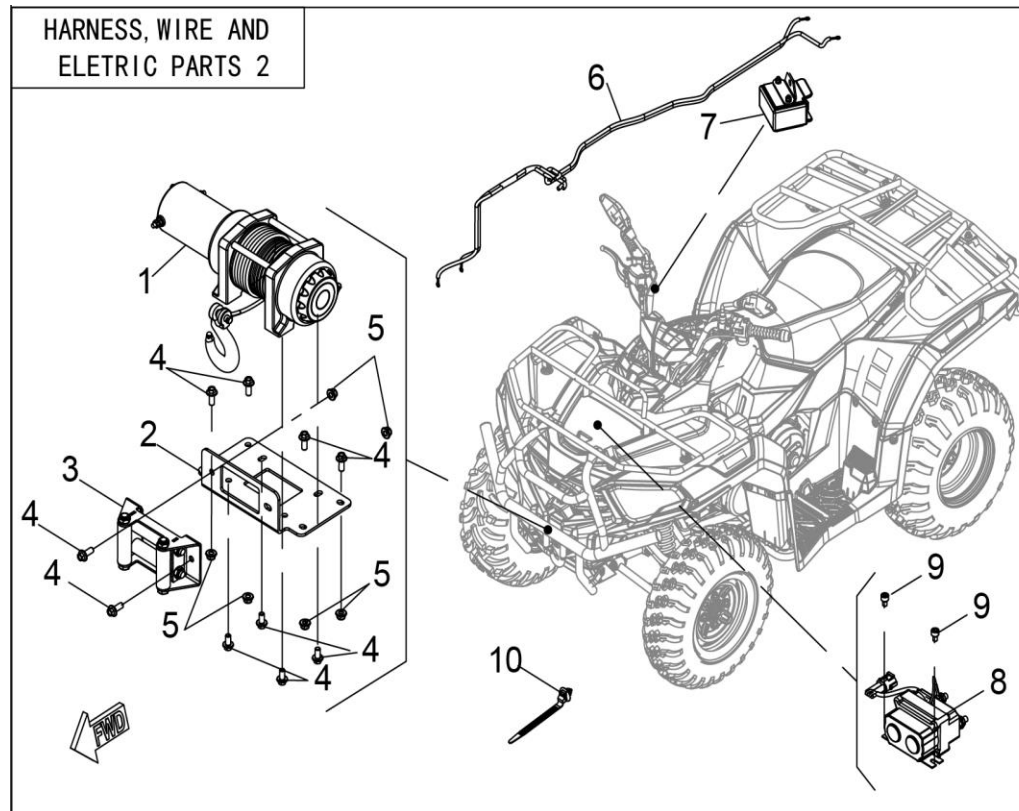
P. Lindberg A/S  
Sdr. Ringvej 1  
DK – 6600 Vejen

RES LONCIN XWOLF 300 DK V1  
www.p-lindberg.dk  
e-mail: salg@p-lindberg.dk



Pos	Varenr / item no	Varenavn	Item name	OE	stk / qty
8	9070971	Laderelæ	RECTIFIER REGULATE ASSY.	270880283-0001	1
9	N/A	Bolt	BOLT, HEXAGON FLANGE	380140054-0001	2
10	9070972	Monteringsplade	INSTALLATION PLATE OF ELECTRICAL CHARGING PORT	275200005-0001	1
11	N/A	Stik	CONNECTOR OF POWER SOURCE	274260001-0001	1
12	N/A	Skruer	SCREW, CROSS RECESSED PAN	380200017-0002	3
13	9070973	Startrelæ	RELAY ASSY., STARTING	270810203-0001	1
14	9070974	Blinkrelæ	FLASHER	280150097-0001	1
15	9070975	Batteriplade	RUBBER SHEET, BATTERY PROTECTIVE	301980003-0001	1
16	N/A	Batteri	BATTERY ASSY.	271060507-0001	1
17	N/A	Bøsning	BUSH, MUFFLER FIXING CUSHION	181870002-0001	2
18	9070976	Batteristrop	LIMITING PLATE OF BATTERY INSTALLATION	339140002-0001	1
19	9071072	Møtrik M6	NUT, CLIP	380420035-0001	9071072
20	9070977	Tænding, kontakt	SWITCH ASSY., LEFT	271390582-0001	1
21	9070621	Tændspole	BODY SET, IGNITION COIL	270930048-0001	1
22	N/A	Holder	BRACE, ELECTRICAL PARTS	301460161-0001	1
23	9070978	Ledning (tændspole)	WIRE, IGNITION COIL	270940044-0001	1
24	N/A	Bolt	BOLT, HEXAGON FLANGE	380140077-0002	2
25	N/A	Møtrik	NUT, CLIP	380420034-0001	2
26	N/A	Skruer	SCREW, HEXAGON SOCKET	380190131-0001	2
27	9070979	Ledningsnet	HARNESS, WIRE	271232285-0001	1
28	N/A	Sikring	SECTION, SAFE	381620024-0001	2
29	N/A	Sikring	SECTION, SAFE	381620025-0001	1
30	N/A	Sikring	SECTION, SAFE	381620007-0001	1
31	N/A	Sikring	SECTION, SAFE	381620006-0001	1
32	N/A	Kabelbinder	BAND	380900267-0001	14
33	N/A	Kabelbinder	BAND	380900077-0002	17
34	N/A	Kabelbinder	BAND	380900131-0001	2
35	9070980	Stik	DC POWER SOCKET	271310002-0001	1
36	9070981	Speedometer	METER ASSY.	281371502-0001	1

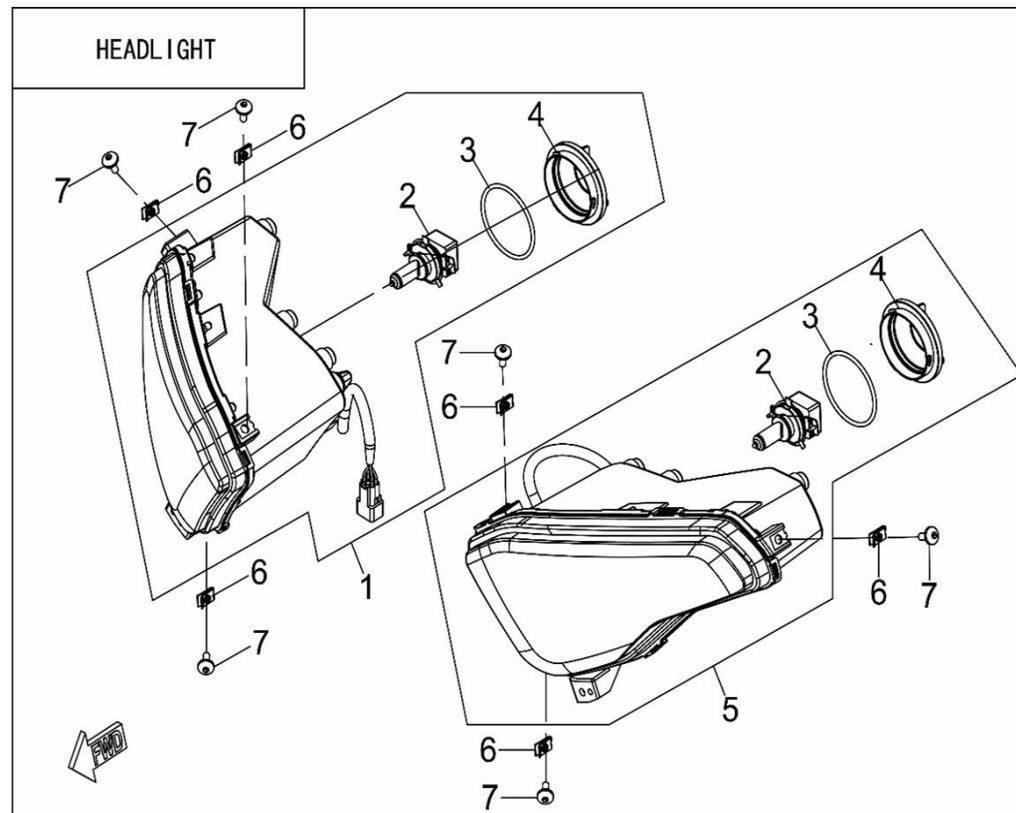
FIGUR 9  
– ELEKTRISKE DELE (2)



DELE TIL FIG 9

Pos	Varenr / item no	Varenavn	Item name	OE	stk / qty
1	9070982	Spil	WINCH	274340001-0001	1
2	N/A	Beslag for spil	WINCH CONNECTIVE PLATE	262190003-0001	1
3	9070647	Styrerulle	LEADING BOGIE, CAPSTAN	260630004-0001	1
4	N/A	Bolt	BOLT, HEXAGON FLANGE	380140004-0002	10
5	N/A	Møtrik	NUT, ALL-METAL HEXAGON WITH FLANGE	380400007-0002	6
6	9070983	Kabel	FRONT WINCH CABLE	274400002-0001	1
7	9070645	Betjeningskontakt til spil	CONTROLLER SWITCH, WINCH	273510005-0001	1
8	9070984	Relæ	CONTROLLER, WINCH	271820007-0001	1
9	N/A	Skrue	SCREW, HEXAGON SOCKET	380190131-0001	2
10	N/A	Kabelbinder	BAND	380900267-0001	2

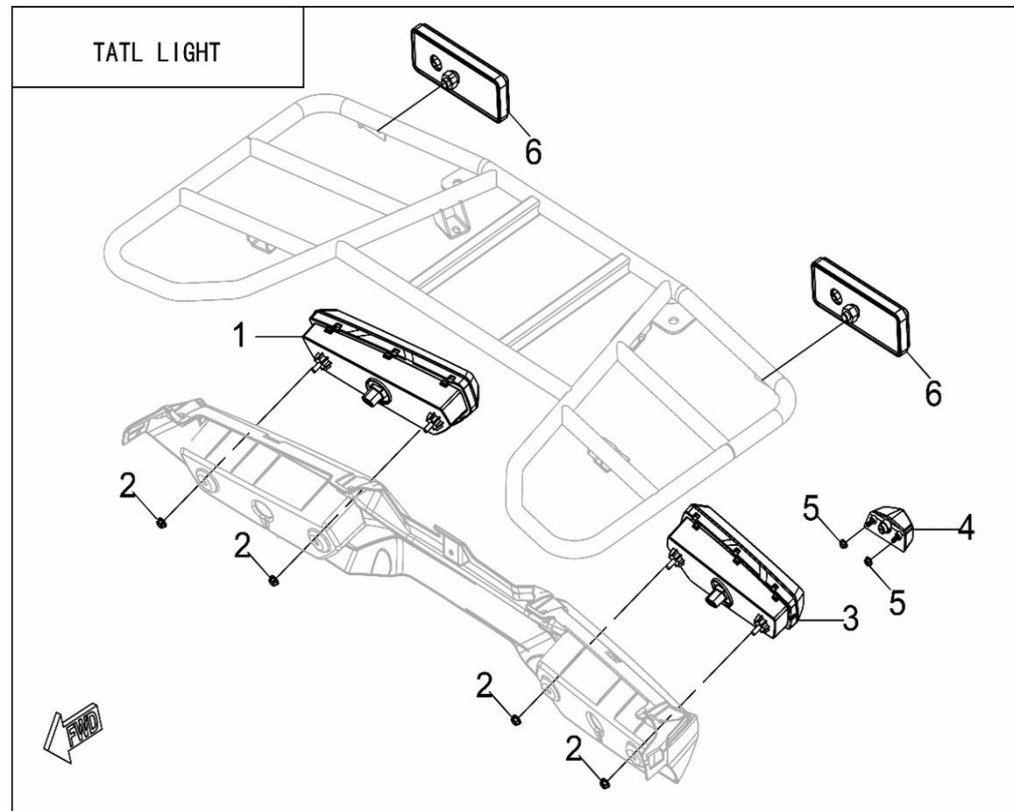
FIGUR 10  
– FORLYGTER



DELE TIL FIG 10

Pos	Varenr / item no	Varenavn	Item name	OE	stk / qty
1	9070985	Forlygte, komplet – højre	LIGHT ASSY., HEAD RIGHT	280360043-0001	1
2	9070986	Pære	BULB	381020179-0001	2
3	N/A	Låseskive	SEAL WASHER	660310048-0001	2
4	N/A	Lygtehus, bagstykke	REAR COVER OF HEADLIGHT	285020002-0001	2
5	9070987	Forlygte, komplet – venstre	LIGHT ASSY., HEAD LEFT	280351005-0001	1
6	9071072	Møtrik M6	NUT, CLIP	380420035-0001	6
7	9070411	Skrue M6x16	SCREW, HEXAGON SOCKET	380190001-0001	6

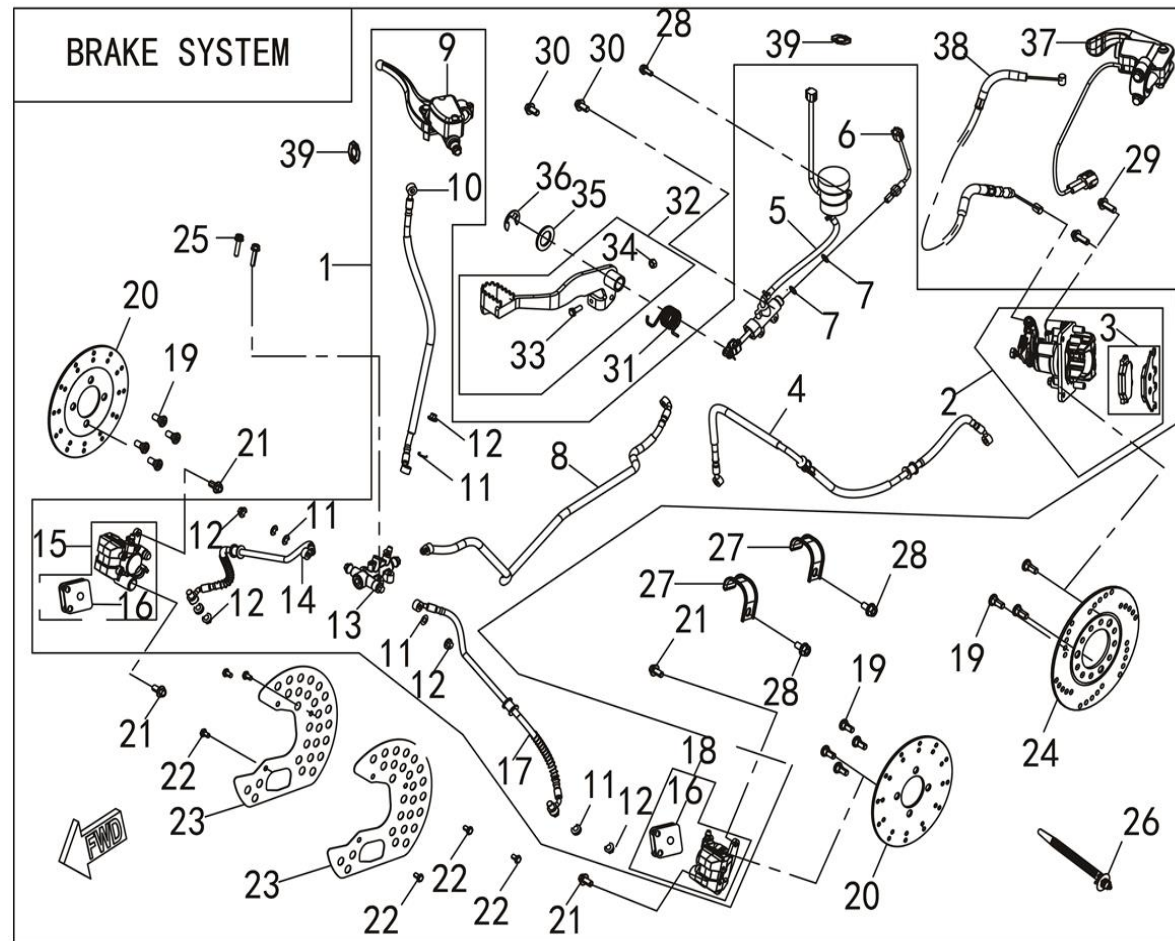
FIGUR 11  
– BAGLYGTER



DELE TIL FIG 11

Pos	Varenr / item no	Varenavn	Item name	OE	stk / qty
1	9070355	Baglygte, højre - komplet	TAIL LIGHT, RIGHT	283770016-0002	1
2	9071070	Flangemøtrik M6	NUT, HEXAGON FLANGE	380370003-0002	4
3	9070356	Baglygte, venstre – komplet	LIGHT UNIT, TAIL	280580559-0002	1
4	9070654	Nummerpladelys	LAMP, REAR REGISTRATION PLATE	280720058-0001	1
5	N/A	Møtrik	NUT, HEXAGON FLANGE	380370012-0002	2
6	9070988	Refleks, bag	REFLECTOR, REAR	280110098-0001	2

FIGUR 12  
– BREMSESYSTEM



DELE TIL FIG 12

Pos	Varenr / item no	Varenavn	Item name	OE	stk / qty
1	N/A	Bremsekaliber, komplet, skivebremse for	CALIPER ASSY, FRONT DISC BRAKE	291410280-0001	1
2	9070989	Bremsekaliber, bag	REAR CALIPER COMP.	297740005-0001	1
3	9070990	Bremseklodser, bag	BRAKE PIECE ASSY.	297810010-0001	1
4	9070991	Bremseslange, bag	BRAKE OIL TUBE	297830009-0001	1
5	9070992	Hovedcylinder, fodbremse	MASTER PUMP COMP.	297840003-0001	1
6	9070370	Bremsekontakt	BRAKE CONTROLLING SWITCH	297870002-0001	1
7	N/A	Skive	WASHER, PLAIN	380450061-0001	2
8	9070993	Bremseslange	BRAKE OIL TUBE	297830010-0001	1

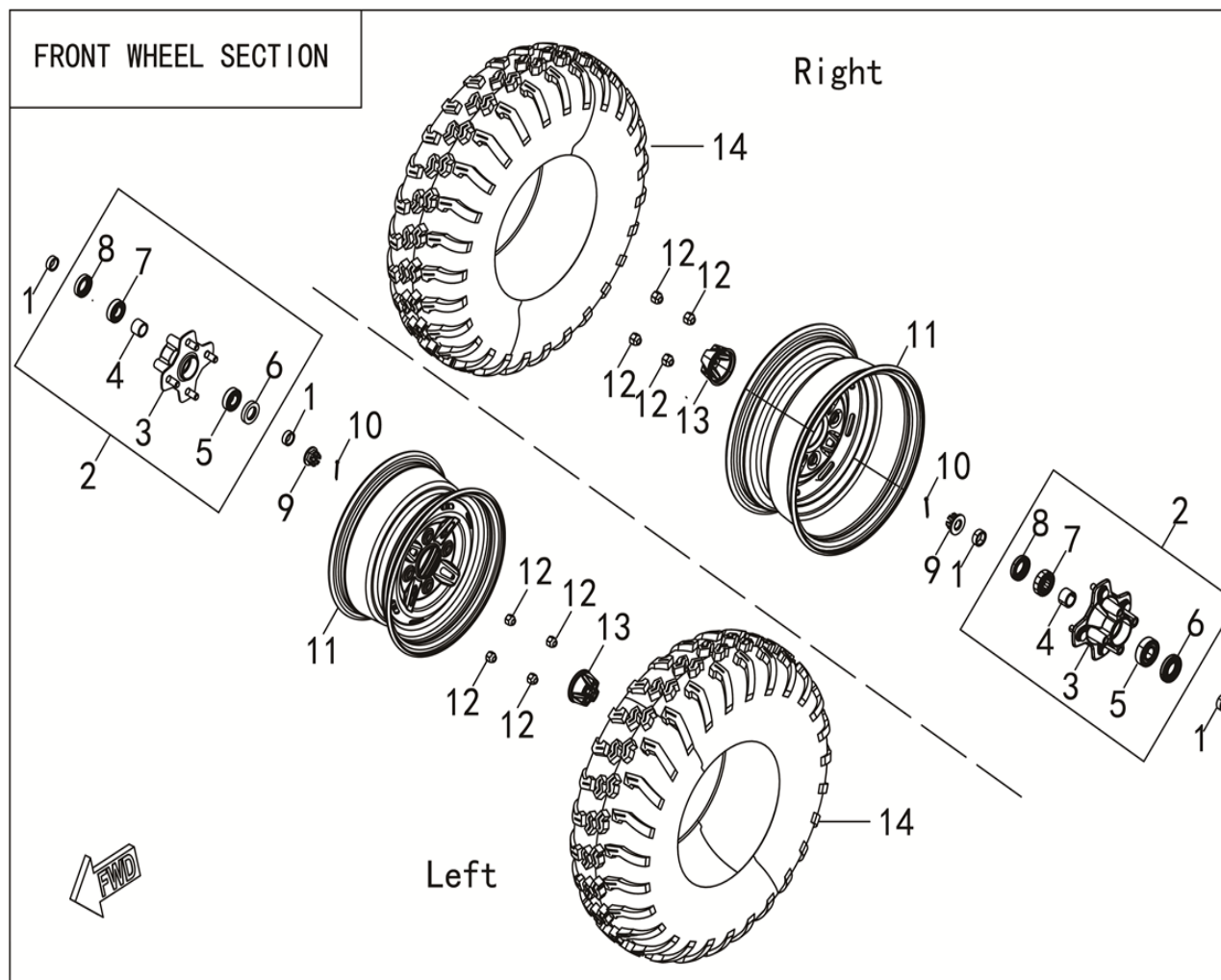
Kontakt  
Tlf salgsafdeling: 7021 2626  
Tlf teknisk support: 7696 2326

P. Lindberg A/S  
Sdr. Ringvej 1  
DK – 6600 Vejen

RES LONCIN XWOLF 300 DK V1  
www.p-lindberg.dk  
e-mail: salg@p-lindberg.dk

Pos	Varenr / item no	Varenavn	Item name	OE	stk / qty
9	9070994	Hovedcylinder, styr	MASTER PUMP COMP.	297840004-0001	1
10	9070995	Bremseslange, fra hovedcylinder styr	BRAKE OIL TUBE	297830013-0001	1
11	N/A	Skive	WASHER, PLAIN	380450061-0001	19
12	N/A	Bundprop	OIL DRAINAGE BOLT	297860002-0001	8
13	9070359	Fordeler (skivebremse)	DISTRIBUTOR, DISC-BRAKE	291830002-0002	1
14	9070996	Bremseslange, højre for	BRAKE OIL TUBE	297830012-0001	1
15	9070997	Bremsekaliber, venstre for	FRONT CALIPER COMP.	297770004-0001	1
16	9070362	Bremseklodser, for	BRAKE PIECE ASSY.	297810011-0001	2
17	9070998	Bremseslange, venstre for	BRAKE OIL TUBE	297830011-0001	1
18	9070999	Bremsekaliber, højre for	FRONT CALIPER COMP.	297770003-0001	1
19	9070373	Bolt M8x20 (til skivebremse)	BOLT, HEX. SOCKET RAISED HEAD W/SHOULDER	380120014-0001	11
20	9071000	Skivebremse, forbremse	DISK COMP., LEFT FRONT BRAKE	291420212-0001	2
21	9071046	Bolt, M8x16	BOLT, HEXAGON FLANGE	380140040-0001	4
22	N/A	Bolt	BOLT, HEXAGON	380070009-0002	6
23	9070371	Skærm (front) v/bremse skive	DUST HELMET, FRONT DISC-BRAKE	291460014-0002	2
24	N/A	Skivebremse, bagbremse	DISK COMP., LEFT REAR BRAKE	291930058-0001	1
25	N/A	Bolt	BOLT, HEXAGON FLANGE	380140103-0002	3
26	N/A	Kabelbinder	BAND	380900267-0001	12
27	N/A	Clamp	CLAMP	382450009-0001	2
28	N/A	Bolt	BOLT, HEXAGON FLANGE	380140067-0001	3
29	9071001	Bolt, M8x22	BOLT, HEXAGON FLANGE	380140300-0003	2
30	N/A	Bolt	BOLT, HEXAGON FLANGE	380140077-0002	2
31	9071002	Strammefjeder	SPRING, TORSIONAL	381160208-0001	1
32	N/A	Bremsepedal	PEDAL ASSY.	297750002-0001	1
33	N/A	Bolt	BOLT, HEXAGON	380070013-0002	1
34	N/A	Møtrik	NUT, HEXAGON HEAD	380340011-0002	1
35	N/A	Skive	WASHER, PLAIN	380450079-0003	1
36	N/A	Skive	SPLIT WASHER	380570015-0003	1
37	9070375	Håndtag for parkering	LEVER COMP., PARKING	292060033-0001	1
38	9071003	Bremsekabel parkering	CABLE, PARKING	292070142-0001	1
39	N/A	Advarselsmærkat	LABEL, WARNING	370310664-0001	2

FIGUR 13  
– FORHJUL

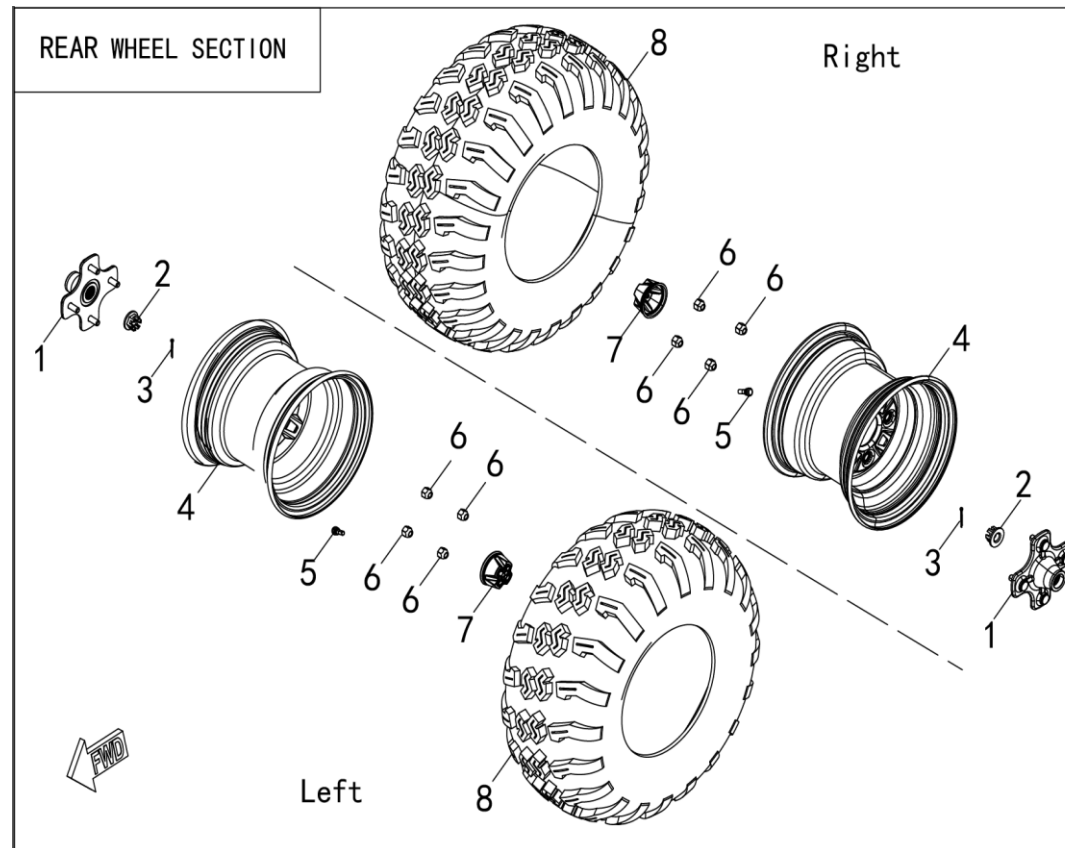


## DELE TIL FIG 13

Pos	Varenr / item no	Varenavn	Item name	OE	stk / qty
1	N/A	Krave	<i>COLLAR</i>	380823125-0001	4
2	9071004	Komplet nav, forhjul	<i>LAND, FRONT WHEEL</i>	290090007-0001	2
3	N/A	Nav	<i>CONNECTIVE PLATE BODY OF FRONT WHEEL</i>	293420005-0001	2
4	N/A	Krave	<i>COLLAR</i>	380824117-0001	2
5	9071005	Kugleleje	<i>BEARING</i>	380630031-0001	2
6	9071006	Pakdåse 26x42x8	<i>OIL SEAL</i>	380650655-0001	2
7	9071007	Kugleleje	<i>BEARING</i>	380630208-0001	2
8	9071008	Pakdåse 26x47x8	<i>OIL SEAL</i>	380650864-0001	2
9	9071009	Møtrik M16x1,5	<i>NUT, REAR AXLE SHAFT</i>	260470002-0001	2
10	N/A	Split	<i>PIN, COTTER</i>	380590045-0003	2
11	9070377	Fælg, forhjul	<i>WHEEL, FRONT</i>	290020390-0002	2
12	9070378	Hjulmøtrik	<i>TAPER NUT</i>	381590002-0001	8
13	9071010	Navkapsel, for & bag	<i>DECORATIVE COVER OF FRONT WHEEL</i>	297780002-0002	2
14	9070379	Dæk, front – 22x7-10	<i>TYRE ASSY.</i>	290150855-0001	2



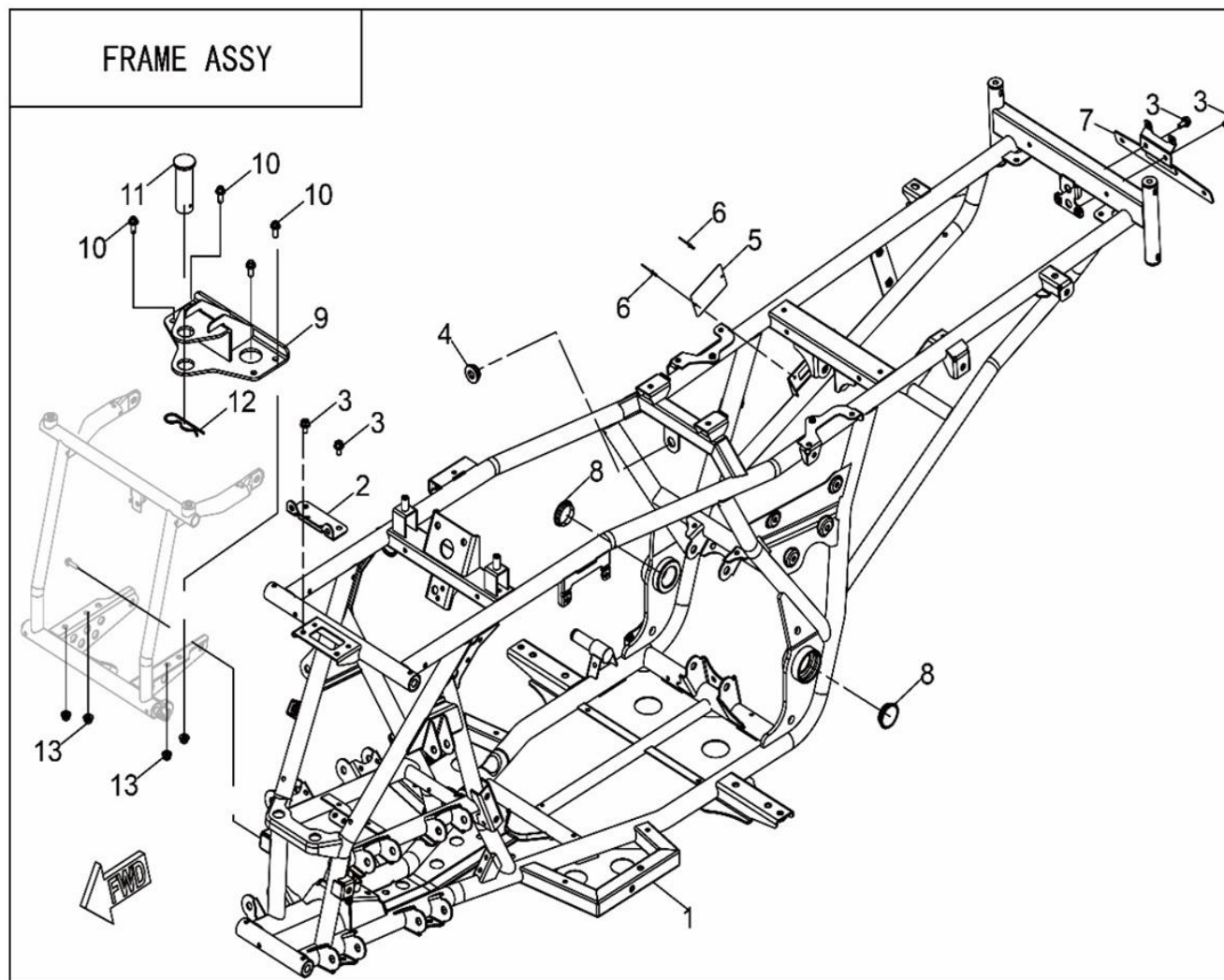
FIGUR 14  
– BAGHJUL



DELE TIL FIG 14

Pos	Varenr / item no	Varenavn	Item name	OE	stk / qty
1	9071012	Komplet nav, baghjul	LAND, REAR WHEEL	290270015-0001	2
2	9071009	Møtrik M16x1,5	NUT, REAR AXLE SHAFT	260470002-0001	2
3	N/A	Split	PIN, COTTER	380590045-0003	2
4	9070382	Fælg, baghjul	WHEEL, REAR	290220392-0002	2
5	9070681	Ventil slangeløs, for & bag	CORE & CAP, VALVE	293620003-0001	2
6	9070378	Hjulmøtrik	TAPER NUT	381590002-0001	8
7	9071010	Navkapsel, for & bag	DECORATIVE COVER OF WHEEL	297780002-0002	2
8	9070383	Dæk, bag – 22x10-10	TYRE ASSY.	290150718-0001	2

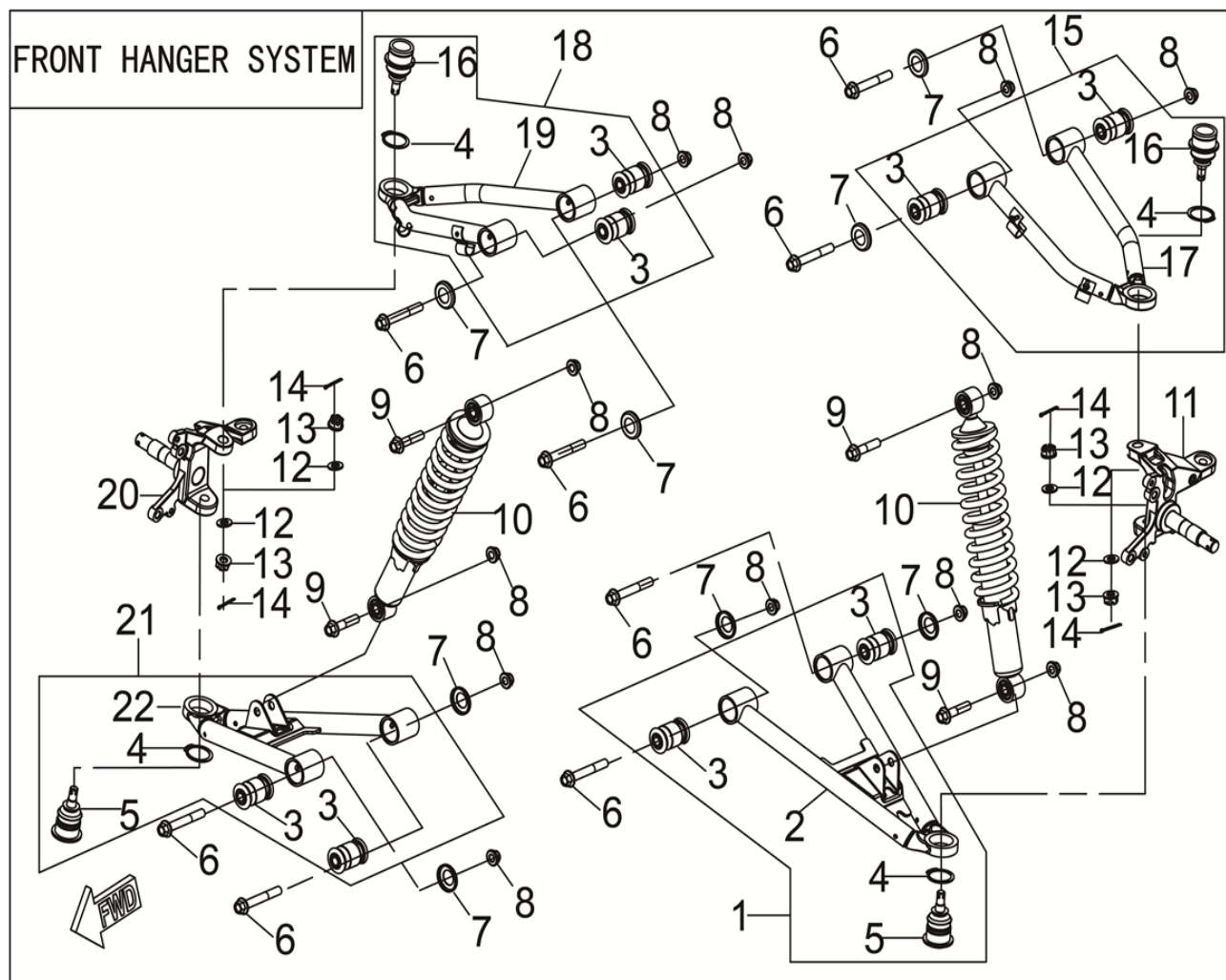
FIGUR 15  
– STEL / RAMME



## DELE TIL FIG 15

Pos	Varenr / item no	Varenavn	Item name	OE	stk / qty
1	N/A	Hovedramme, komplet	<i>BODY COMP., FRAME</i>	300121389-0001	1
2	N/A	Kølerbeslag	<i>LUG, RADIATOR UPPER</i>	160380011-0001	1
3	N/A	Bolt	<i>BOLT, HEXAGON FLANGE</i>	380140067-0001	8
4	N/A	Gummistykke	<i>I-RUBBER</i>	380890363-0001	1
5	N/A	Maskinskilt	<i>NAMEPLATE, FRAME</i>	370410422-0001	1
6	N/A	Popnitte	<i>RIVET</i>	380580084-0001	2
7	9071013	Nummerplade beslag	<i>BRACKET, REAR REGISTRATION PLATE</i>	340540223-0001	1
8	N/A	Dæksel	<i>CAP, REAR FORK DUST SEAL</i>	311100042-0001	2
9	N/A	Gaffeltræk	<i>HOOK, TRAILER</i>	260640008-0001	1
10	N/A	Bolt	<i>BOLT, HEXAGON FLANGE</i>	380140004-0002	4
11	N/A	Splitbolt	<i>PIN, CLEVIS</i>	380610331-0002	1
12	N/A	Hårnålesplit	<i>PIN CLIP</i>	381350021-0001	1
13	N/A	Møtrik	<i>NUT, ALL-METAL HEXAGON WITH FLANGE</i>	380400007-0002	4

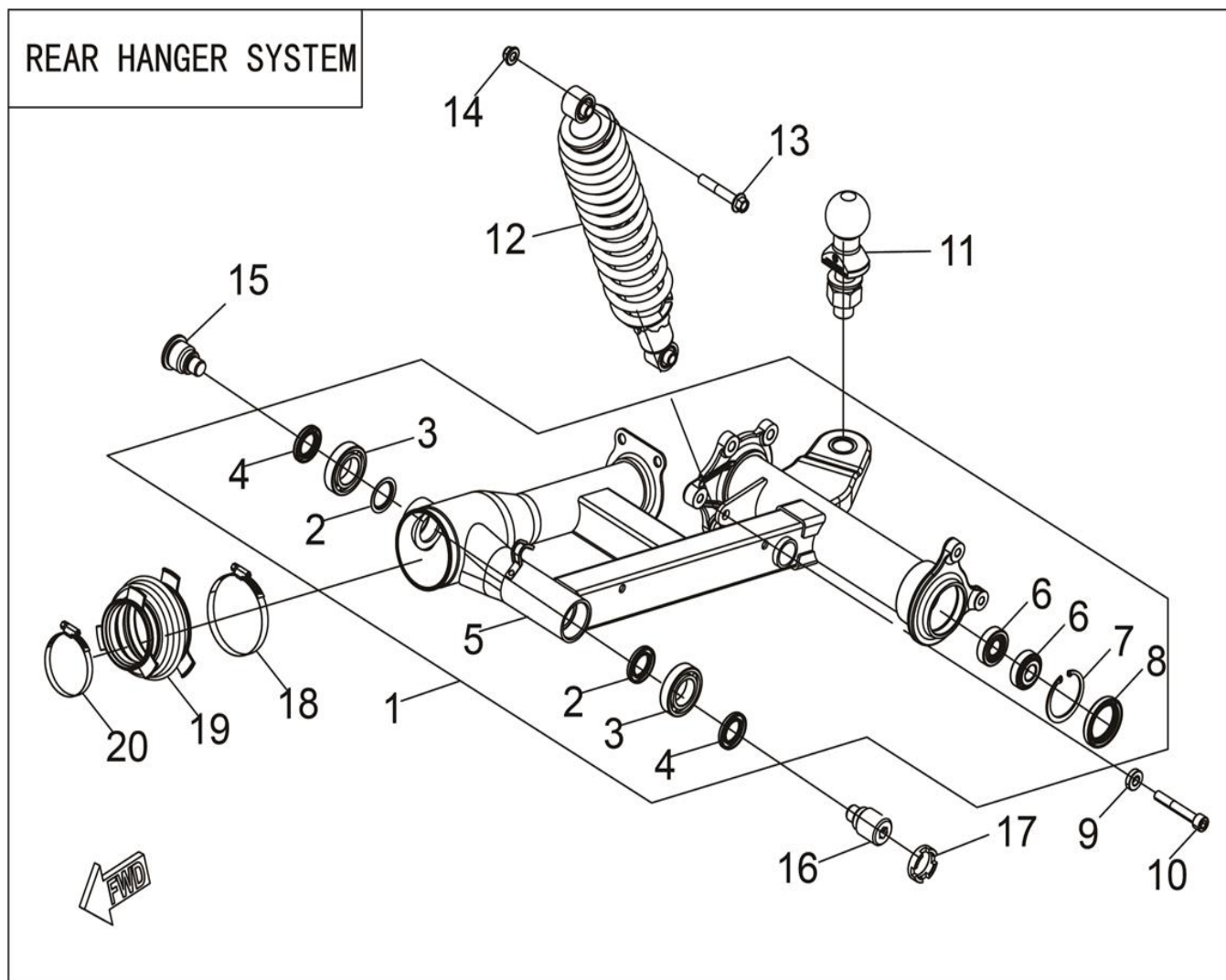
FIGUR 16  
– FORHJULSOPHÆNG



## DELE TIL FIG 16

Pos	Varenr / item no	Varenavn	Item name	OE	stk / qty
1	9071014	Bærearm, venstre (ned) - komplet	LOWER ROCKER AMR COMP. OF LEFT FRONT	317750002-0001	1
2	N/A	Bærearm, venstre (ned)	LOWER ROCKER ARM ASSY. OF LEFT FRONT	317790003-0001	1
3	9070705	Gummibøsning v/bærearm	RUBBER JACKET, FRONT ROCKER ARM	312610005-0001	8
4	N/A	Låsering	CHECK RING, ELASTIC	380550109-0002	4
5	9070390	Bærekugle (ned)	HINGE OF LOWER ROCKER ARM	313960005-0001	2
6	9071016	Bolt, M10x1,25x70	BOLT, HEXAGON FLANGE	380140379-0001	8
7	N/A	Skive	WASHER, FLANGE	380470138-0001	8
8	N/A	Møtrik	NUT, ALL-METAL HEXAGON WITH FLANGE	380400001-0002	12
9	N/A	Bolt	BOLT, HEXAGON FLANGE	380140287-0001	4
10	9071017	Støddæmper, front	SHOCK ABSORBER, LEFT FRONT	310450759-0001	2
11	9071018	Styrespindel, venstre	LEFT TURNING JOINT COMP.	317940002-0001	1
12	N/A	Skive	WASHER, PLAIN	380460002-0002	4
13	N/A	Møtrik	NUT, HEXAGON SLOTTED	380410008-0002	4
14	N/A	Split	PIN, COTTER	380590011-0004	4
15	9071019	Bærearm, venstre (op) - komplet	LOWER ROCKER ARM COMP. OF LEFT FRONT	317780003-0001	1
16	9070385	Bærekugle (op)	HINGE OF UPPER ROCKER ARM	313950004-0001	2
17	N/A	Bærearm, venstre (op)	UPPER ROCKER ARM ASSY. OF LEFT FRONT	317770003-0001	1
18	9071020	Bærearm, højre (op) - komplet	UPPER ROCKER ARM COMP. OF RIGHT FRONT	317700002-0001	1
19	N/A	Bærearm, højre (op)	UPPER ROCKER ARM ASSY. OF RIGHT FRONT	317720002-0001	1
20	9071021	Styrespindel, højre	RIGHT TURNING JOINT COMP.	317910002-0001	1
21	9071022	Bærearm, højre (ned) - komplet	LOWER ROCKER ARM COMP. OF RIGHT FRONT	317730002-0001	1
22	N/A	Bærearm, højre (ned)	LOWER ROCKER ARM ASSY. OF RIGHT FRONT	317740003-0001	1

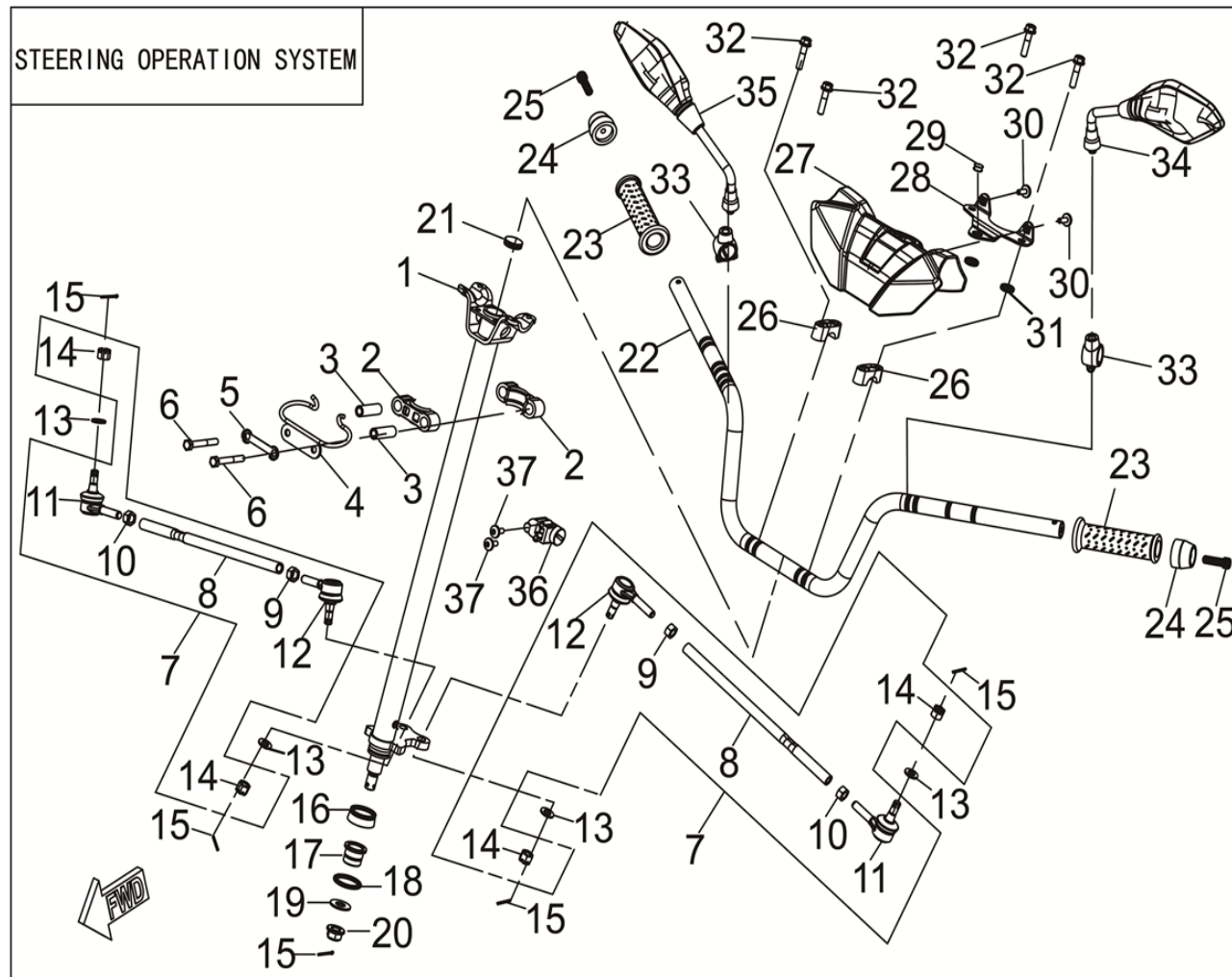
FIGUR 17  
– BAGTØJ



## DELE TIL FIG 17

Pos	Varenr / item no	Varenavn	Item name	OE	stk / qty
1	9071023	Bagsvinger, komplet	<i>FORK ASSY., REAR</i>	500790045-0001	1
2	9071024	Støvhætte	<i>CAP, REAR FORK DUST SEAL</i>	311100040-0001	2
3	9071025	Kugleleje, front	<i>BEARING</i>	380630280-0001	2
4	9071026	Pakdåse 25x40x5	<i>OIL SEAL</i>	380650818-0001	2
5	N/A	Bagsvinger	<i>WELDING COMP., REAR FORK</i>	311150159-0001	1
6	9071027	Kugleleje, bag	<i>BEARING</i>	380630006-0001	2
7	N/A	Låsering	<i>CHECK RING, ELASTIC</i>	380550175-0001	1
8	9071028	Pakdåse 40x55x8	<i>OIL SEAL</i>	380650792-0001	1
9	N/A	Krave	<i>COLLAR</i>	380820371-0003	1
10	N/A	Aksel	<i>AXIS</i>	380871084-0001	1
11	9070703	Kugle til anhængertræk	<i>BALL, TRAILER</i>	260610005-0003	1
12	9071029	Støddæmper, bag	<i>ABSORBER ASSY., LEFT REAR SHOCK</i>	310790616-0001	1
13	N/A	Bolt	<i>BOLT, HEXAGON FLANGE</i>	380140526-0001	2
14	N/A	Møtrik	<i>NUT, ALL-METAL HEXAGON WITH FLANGE</i>	380400001-0002	1
15	9071030	Akseltap, højre	<i>AXIS</i>	380871099-0001	1
16	9071031	Akseltap, venstre	<i>AXIS</i>	380871098-0001	1
17	N/A	Møtrik	<i>NUT, ROUND</i>	380810106-0001	1
18	N/A	Spændebånd	<i>HOOP ASSY.</i>	380960255-0001	1
19	9071032	Støvhætte, stor	<i>DUST PROOF CAP</i>	382400009-0001	1
20	N/A	Spændebånd	<i>HOOP ASSY.</i>	380960158-0001	1

FIGUR 18  
- STYR



DELE TIL FIG 18

Pos	Varenr / item no	Varenavn	Item name	OE	stk / qty
1	9071033	Styraksel	BODY SET, STEERING STEM	310130301-0001	1
2	9071034	Klembøsning	WASHER, STEERING STEM	310340010-0001	2
3	N/A	Krave	COLLAR	380823497-0001	2
4	N/A	Clamp	CLAMP, WIRE	380940824-0001	1
5	N/A	Låseblík	LOCK WASHER	290400033-0001	1

Kontakt  
Tlf salgsafdeling: 7021 2626  
Tlf teknisk support: 7696 2326

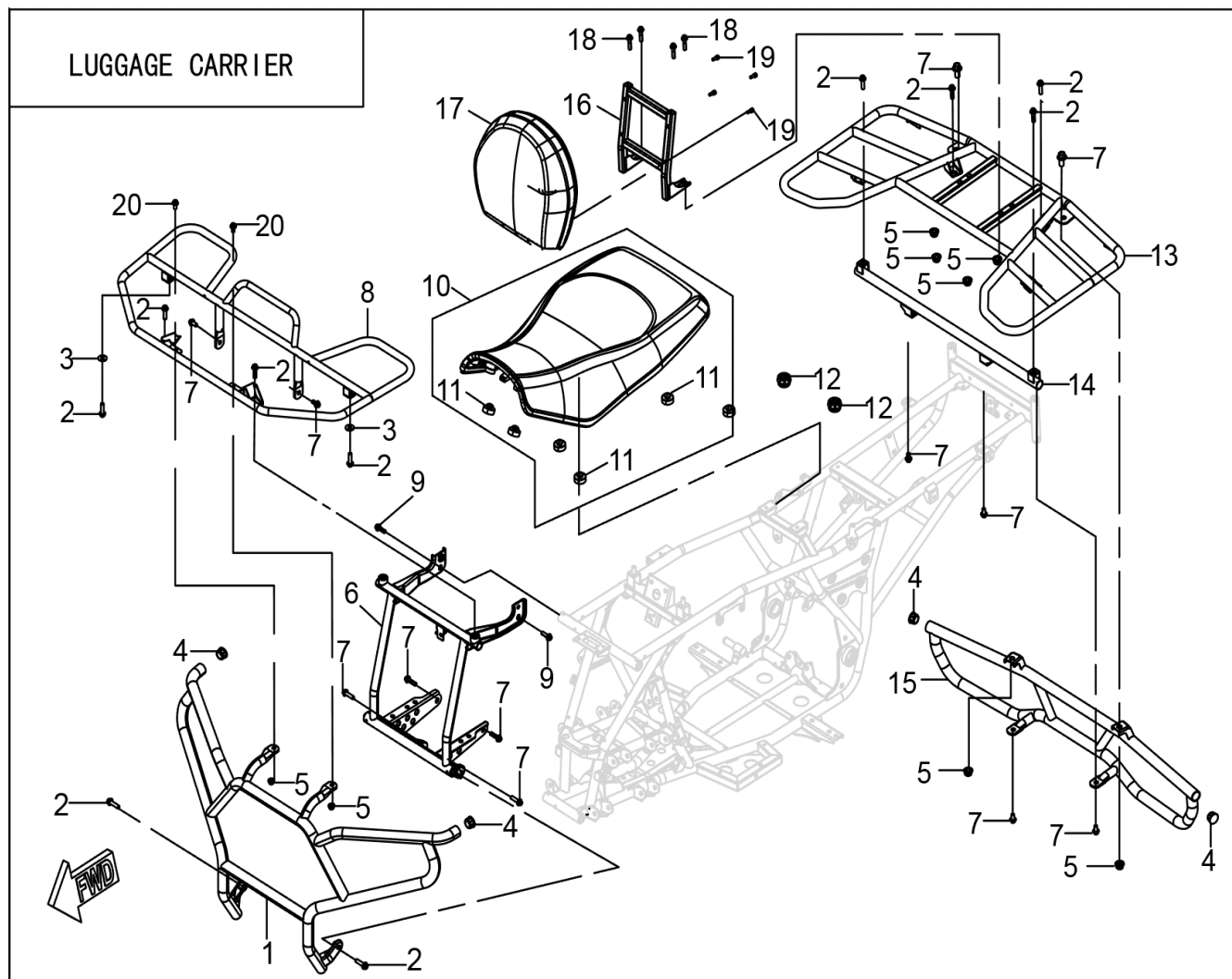
P. Lindberg A/S  
Sdr. Ringvej 1  
DK - 6600 Vejen

RES LONCIN XWOLF 300 DK V1  
www.p-lindberg.dk  
e-mail: salg@p-lindberg.dk



Pos	Varenr / item no	Varenavn	Item name	OE	stk / qty
6	N/A	Bolt	<i>BOLT, HEXAGON</i>	380070195-0001	2
7	9071035	Sporstang, komplet	<i>STEERING LINKAGE COMP.</i>	320500023-0001	2
8	N/A	Sporstang	<i>STEERING LINKAGE COMP.</i>	320510014-0001	1
9	N/A	Møtrik	<i>NUT, HEXAGON HEAD</i>	380340015-0005	1
10	N/A	Møtrik	<i>NUT, HEXAGON HEAD</i>	380340168-0001	1
11	N/A	Sporstangsende, højre	<i>SPHERE-PIN COMP., STEERING LINKAGE RIGHT</i>	320530009-0002	2
12	N/A	Sporstangsende, venstre	<i>SPHERE-PIN COMP., STEERING LINKAGE LEFT</i>	320520012-0002	2
13	N/A	Skive, elastisk	<i>WASHER, ELASTIC</i>	380460002-0002	4
14	N/A	Møtrik	<i>NUT, HEXAGON SLOTTED</i>	380410035-0003	2
15	N/A	Split	<i>PIN, COTTER</i>	380590045-0003	5
16	9071036	Støvdæksel	<i>DUST PACKING, STEERING STEM</i>	310320034-0001	1
17	9071037	Krave	<i>COLLAR</i>	380823914-0001	1
18	9071038	O-ring (styraksel)	<i>RING, SEAL</i>	380841378-0001	1
19	N/A	Skive	<i>WASHER, PLAIN</i>	380451302-0001	1
20	N/A	Møtrik	<i>NUT, ALL-METAL HEXAGON WITH FLANGE</i>	380400016-0003	1
21	N/A	Prop	<i>STOPPER</i>	381000449-0001	1
22	9071039	Styr	<i>PIPE COMP., STEERING HANDLE</i>	320010336-0001	1
23	9071040	Håndtagssæt	<i>GRIP SET, HANDLE</i>	320180225-0001	2
24	N/A	Endestykke til håndtag	<i>WEIGHT, LEFT HANDLE</i>	320220095-0002	2
25	N/A	Skrue	<i>SCREW, HEXAGON SOCKET</i>	380190050-0003	2
26	N/A	Holder	<i>HOLDER, STEERING HANDLE PIPE</i>	310200057-0001	2
27	9071041	Skærm ved display	<i>COVER, STEERING HANDLE PIPE DECORATIVE</i>	342570016-0001	1
28	9071042	Monteringsplade til speedometer	<i>MOUNTING DECK, METER</i>	320730005-0001	1
29	N/A	Gummistykke	<i>I-RUBBER</i>	380890363-0001	1
30	9070411	Skrue M6x16	<i>SCREW, HEXAGON SOCKET</i>	380190001-0001	2
31	N/A	Skive	<i>WASHER, PLAIN</i>	380450003-0002	2
32	N/A	Bolt	<i>BOLT, HEXAGON FLANGE</i>	380140101-0001	4
33	9070406	Sidespejlholder, højre og venstre	<i>SEAT, LEFT REAR VIEW MIRROR</i>	271480050-0001	2
34	9070408	Sidespejl, venstre	<i>MIRROR, LEFT REAR VIEW</i>	360500371-0005	1
35	9070407	Sidespejl, højre	<i>MIRROR, RIGHT REAR VIEW</i>	360530373-0007	1
36	N/A	-	<i>LOCK COMP., DIRECTIONAL</i>	310170033-0001	1
37	N/A	Skrue	<i>SCREW, HEXAGON SOCKET</i>	380190131-0001	2

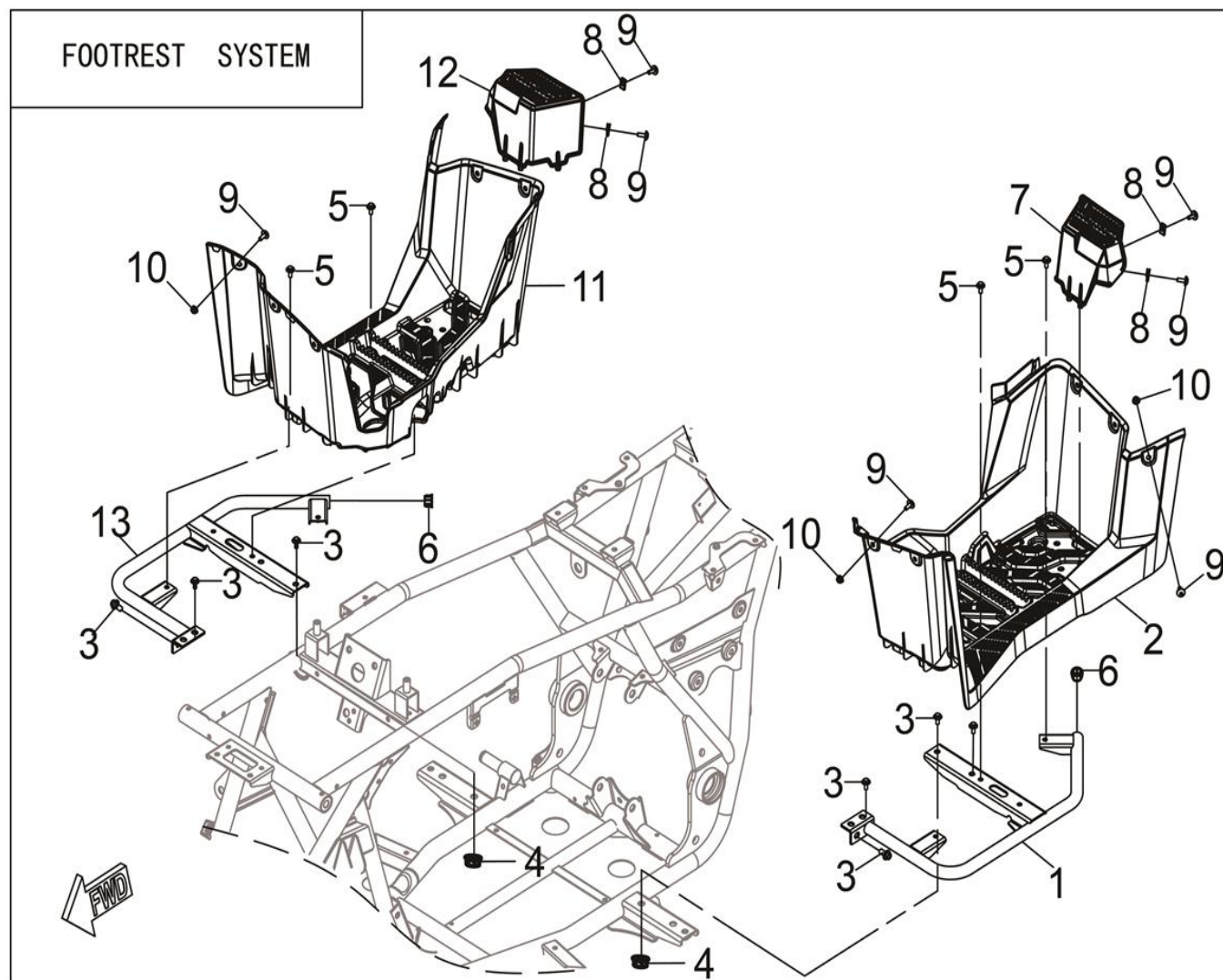
FIGUR 19  
– BAGAGEBÆRER



## DELE TIL FIG 19

Pos	Varenr / item no	Varenavn	Item name	OE	stk / qty
1	9071043	Kofanger	BUMPER	307690003-0001	1
2	N/A	Bolt	BOLT, HEXAGON FLANGE	380140028-0001	10
3	N/A	Skive	WASHER, PLAIN	380450019-0002	2
4	9071044	Prop v/kofanger	STOPPER	381000466-0001	4
5	N/A	Møtrik	NUT, ALL-METAL HEXAGON WITH FLANGE	380400007-0002	8
6	9071045	Kofangerbøjle	BUMPER	307690002-0001	1
7	9071046	Bolt, M8x16	BOLT, HEXAGON FLANGE	380140040-0001	10
8	9071047	Bagagebærer, front – komplet	LUGGAGE CARRIER COMP., FRONT	331120044-0001	1
9	N/A	Bolt	BOLT, HEXAGON FLANGE	380140091-0002	4
10	9071048	Sæde, komplet	SEAT COMP.	330011244-0001	1
11	9071051	Gummibøsning	RUBBER SHEET, SEAT BRACE	330120336-0001	6
12	9070430	Gummibøsning for sæde	RUBBER SHEET, SEAT BRACE	330120335-0001	2
13	9071052	Bagagebærer, bag – komplet	LUGGAGE CARRIER COMP., REAR	330640748-0001	1
14	N/A	Forbindelsesstykke	CONNECTING YOKE, LUGGAGE CARRIER	332200025-0001	1
15	9071053	Kofanger, bag	BUMPER	307690004-0001	1
16	9071054	Monteringsbeslag til rygstøtte	BRACKET OF BACKREST	335070028-0001	1
17	9071055	Rygstøtte	BACKREST	330330270-0001	1
18	N/A	Bolt	BOLT, HEXAGON FLANGE	380140051-0002	4
19	N/A	Skrue	SCREW, HEXAGON SOCKET	380190005-0004	4
20	N/A	Bolt	BOLT, HEXAGON FLANGE	380140004-0002	2

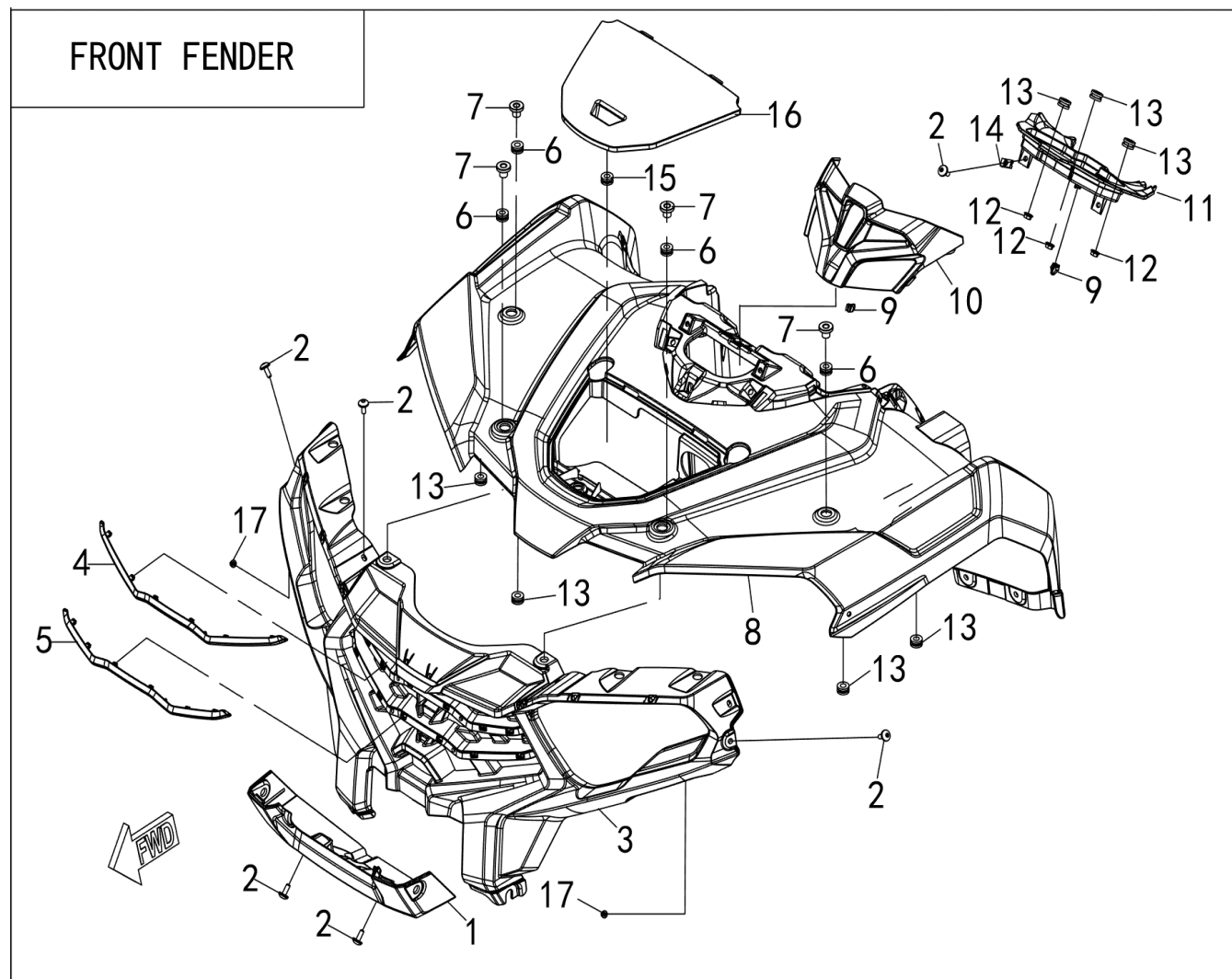
FIGUR 20  
– FODHVILERE



## DELE TIL FIG 20

Pos	Varenr / item no	Varenavn	Item name	OE	stk / qty
1	N/A	Holder for venstre fodhviler	<i>HOLD COMP., LEFT STEP</i>	311670078-0001	1
2	9071056	Fodhviler, venstre	<i>BACKPLANE, FOOTREST</i>	342130180-0001	1
3	9071046	Bolt, M8x16	<i>BOLT, HEXAGON FLANGE</i>	380140040-0001	8
4	N/A	Møtrik	<i>NUT, HEXAGON FLANGE</i>	380370010-0001	2
5	9070417	Boltsæt	<i>BOLT/SCREW/WASHER, PALIN COMP.</i>	380710015-0001	8
6	N/A	Prop	<i>STOPPER</i>	381000349-0001	2
7	9071057	Fodhviler til passager, venstre	<i>FOOTREST, LEFT PILLION</i>	312360010-0001	1
8	9071072	Møtrik M6	<i>NUT, CLIP</i>	380420035-0001	4
9	9070411	Skrue M6x16	<i>SCREW, HEXAGON SOCKET</i>	380190001-0001	16
10	9071058	Møtrik M6 (fodhviler)	<i>NUT, ALL-METAL HEXAGON WITH FLANGE</i>	380400004-0002	12
11	9071059	Fodhviler, højre	<i>BACKPLANE, FOOTREST</i>	342130181-0001	1
12	9071060	Fodhviler til passager, højre	<i>FOOTREST, RIGHT PILLION</i>	312370010-0001	1
13	N/A	Holder for højre fodhviler	<i>HOLD COMP., RIGHT STEP</i>	311680078-0001	1

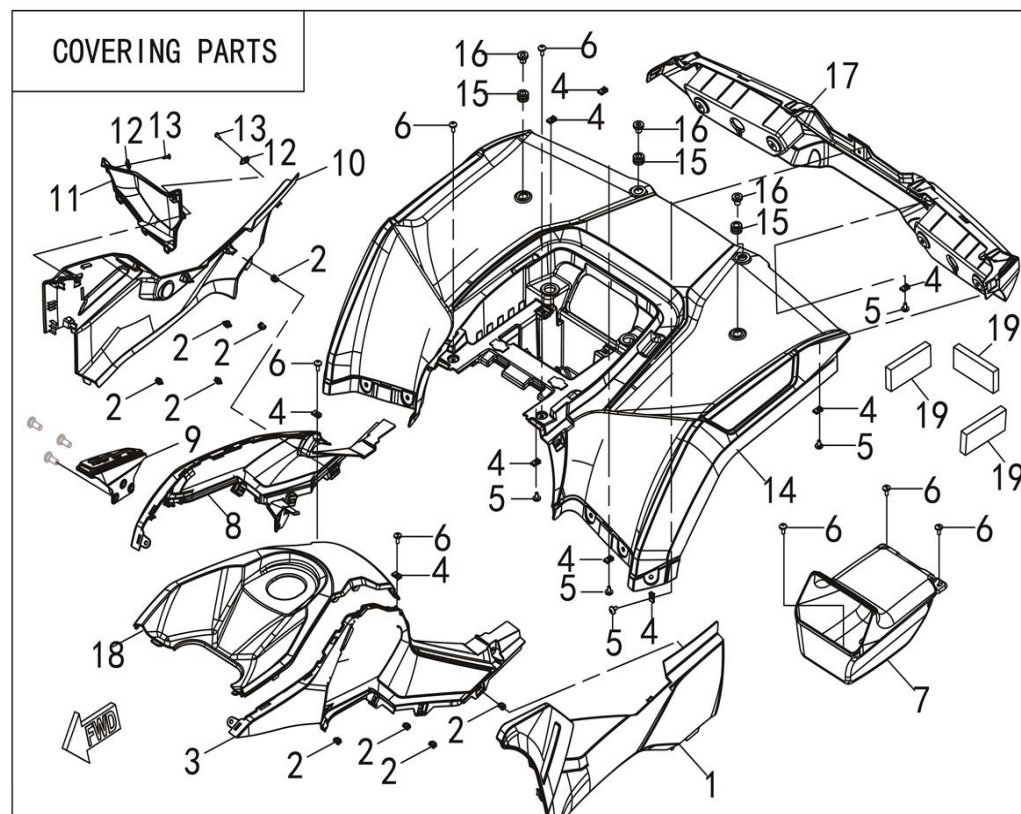
FIGUR 21  
– FOR KOFANGER



## DELE TIL FIG 21

Pos	Varenr / item no	Varenavn	Item name	OE	stk / qty
1	9071061	Kofanger	COVER COLLISION BUMPER	343920010-0001	1
2	9070411	Skrue M6x16	SCREW, HEXAGON SOCKET	380190001-0001	8
3	9071062	Lygtehuspanel, forlygter	LENS, HEAD LIGHT LEFT DECORATING	280560055-0001	1
4	9071063	Panelstykke / staffage, øvre	STRIP, FRONT PANEL DECORATIVE	343140022-0003	1
5	9071064	Panelstykke / staffage, nedre	STRIP, FRONT PANEL DECORATIVE	343140023-0003	1
6	9070431	Gummibøsning for bagskærm	I-RUBBER	380890129-0001	4
7	9071065	Clips (skærm)	COLLAR	380824134-0001	4
8	9071066	Forskærm, komplet	FENDER COMP., FRONT	340310797-0040	1
9	9071067	Clips	FIXING CLIP	277840007-0001	4
10	9071068	Skærm for speedometer	CAP, METER DECORATIVE	341690053-0001	1
11	9071069	Instrumentpanel / speedometer	INSTRUMENT PANEL	343710052-0001	1
12	9071070	Flangemøtrik M6	NUT, HEXAGON FLANGE	380370003-0002	3
13	9071071	Gummistykke (forskærm/instrument)	I-RUBBER	380890220-0002	7
14	9071072	Møtrik M6	NUT, CLIP	380420035-0001	4
15	N/A	Gummistykke	I-RUBBER	380890363-0001	1
16	9071073	Frontpanel	PANEL, FRONT	341210459-0002	1
17	9071070	Flangemøtrik M6	NUT, HEXAGON FLANGE	380370003-0002	2

FIGUR 22  
– BAG KOFANGER

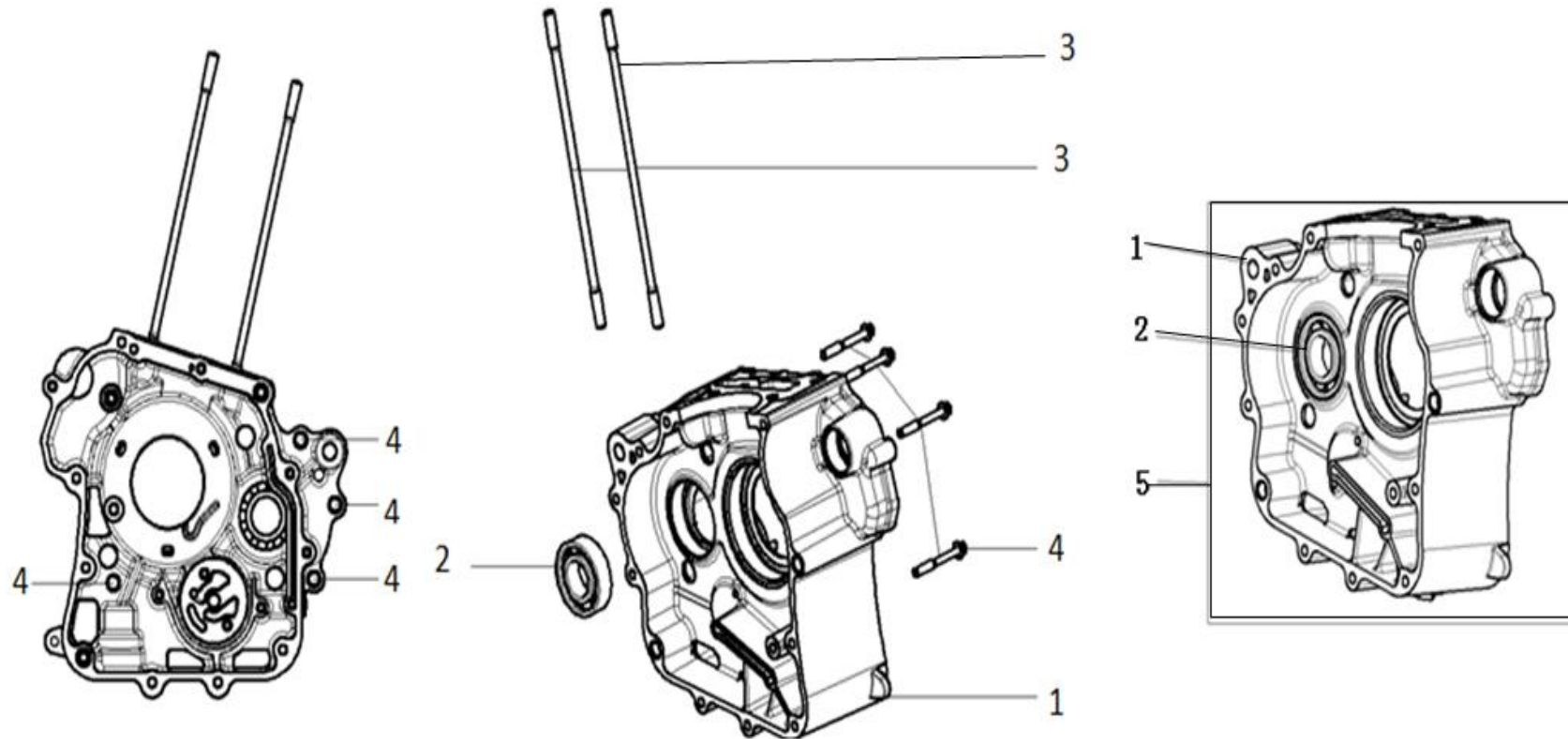




## DELE TIL FIG 22

Pos	Varenr / item no	Varenavn	Item name	OE	stk / qty
1	9071074	Sideskærm, venstre (nederst)	COVER, LEFT LOWER SIDE	340830012-0001	1
2	9071067	Clip	FIXING CLIP	277840007-0001	12
3	9071075	Sideskærm, venstre	COVER, LEFT SIDE	340750753-0029	1
4	9071072	Møtrik M6	NUT, CLIP	380420035-0001	7
5	9070674	Skrue M6x12	SCREW, HEXAGON SOCKET	380190007-0001	5
6	9070411	Skrue M6x16	SCREW, HEXAGON SOCKET	380190001-0001	12
7	9071077	Værktøjskasse	BOX, TOOL	312730208-0001	1
8	9071078	Sideskærm, højre	COVER, RIGHT SIDE	340870794-0029	1
9	9071079	Skærm	COVER, REVERSE GEAR CONTROL DECORATING	195870005-0001	1
10	9071080	Sideskærm, højre (nederst)	COVER, RIGHT LOWER SIDE	340960016-0001	1
11	9071081	Låg til værktøjskasse	LID, TOOL BOX	312770051-0001	1
12	N/A	Møtrik	NUT, CLIP	380420034-0001	2
13	N/A	Skrue	SCREW, CROSS RECESSED PAN SELF-TAPPING	380200002-0002	2
14	9071082	Bagskærm, komplet	FENDER COMP., REAR	340660398-0031	1
15	9070431	Gummistykke	I-RUBBER	380890129-0001	4
16	9071065	Clips	COLLAR	380824134-0001	4
17	9071083	Lygtehuspanel, baglygter	LENS, TAIL LIGHT PROTECTIVE	283360028-0001	1
18	9071084	Skærm ved tank	PLATE, TANK CUP	170960032-0001	1
19	N/A	Afstandsstykke	FOAM BEARER	361000105-0001	3

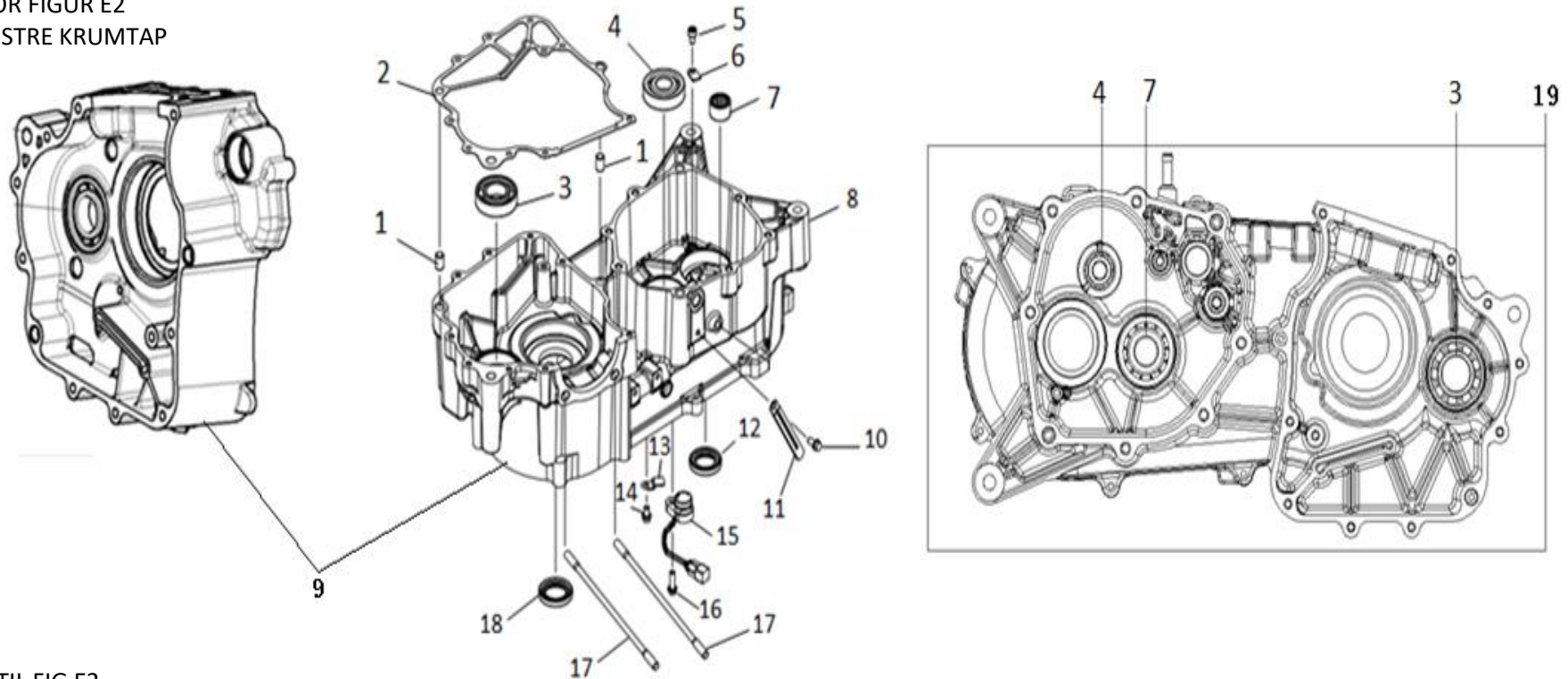
MOTOR FIGUR E1  
– HØJRE KRUMTAP



DELE TIL FIG E1

Pos	Varenr / item no	Varenavn	Item name	OE	stk / qty
1	N/A	Hus, højre krumtap	<i>BODY SET, RIGHT CRANKCASE</i>	110080417-0001	1
2	N/A	Kugleleje	<i>BEARING</i>	380630744-0001	1
3	N/A	Støttebolt, lang	<i>BOLT, STUD A</i>	110240004-0001	2
4	N/A	Bolt	<i>BOLT, HEXAGON FLANGE</i>	380140020-0003	4
5	N/A	Krumtap, komplet - højre	<i>CRANKCASE ASSY., RIGHT</i>	500050054-0001	1

MOTOR FIGUR E2  
– VENSTRE KRUMTAP



DELE TIL FIG E2

Pos	Varenr / item no	Varenavn	Item name	OE	stk / qty
1	N/A	Splitbolt	PIN, DOWEL	380600006-0001	2
2	9071085	Pakning, venstre krumtap	GASKET, CRANKCASE	110100104-0001	1
3	N/A	Kugleleje	BEARING	380630744-0001	1
4	N/A	Kugleleje	BEARING	380630745-0001	1
5	N/A	Bolt	BOLT, HEXAGON FLANGE	380140026-0006	1
6	N/A	Plade	CHECK PLATE, MAINSHAFT BEARING	191380015-0001	1
7	N/A	Kugleleje	BEARING	380630666-0001	1
8	N/A	Hus, venstre krumtap	BODY SET, LEFT CRANKCASE	110030589-0001	1
9	N/A	Krumtapskit	CRANKCASE KIT	500270527-0001	1
10	N/A	Bolt	BOLT, HEXAGON FLANGE	380140026-0006	1

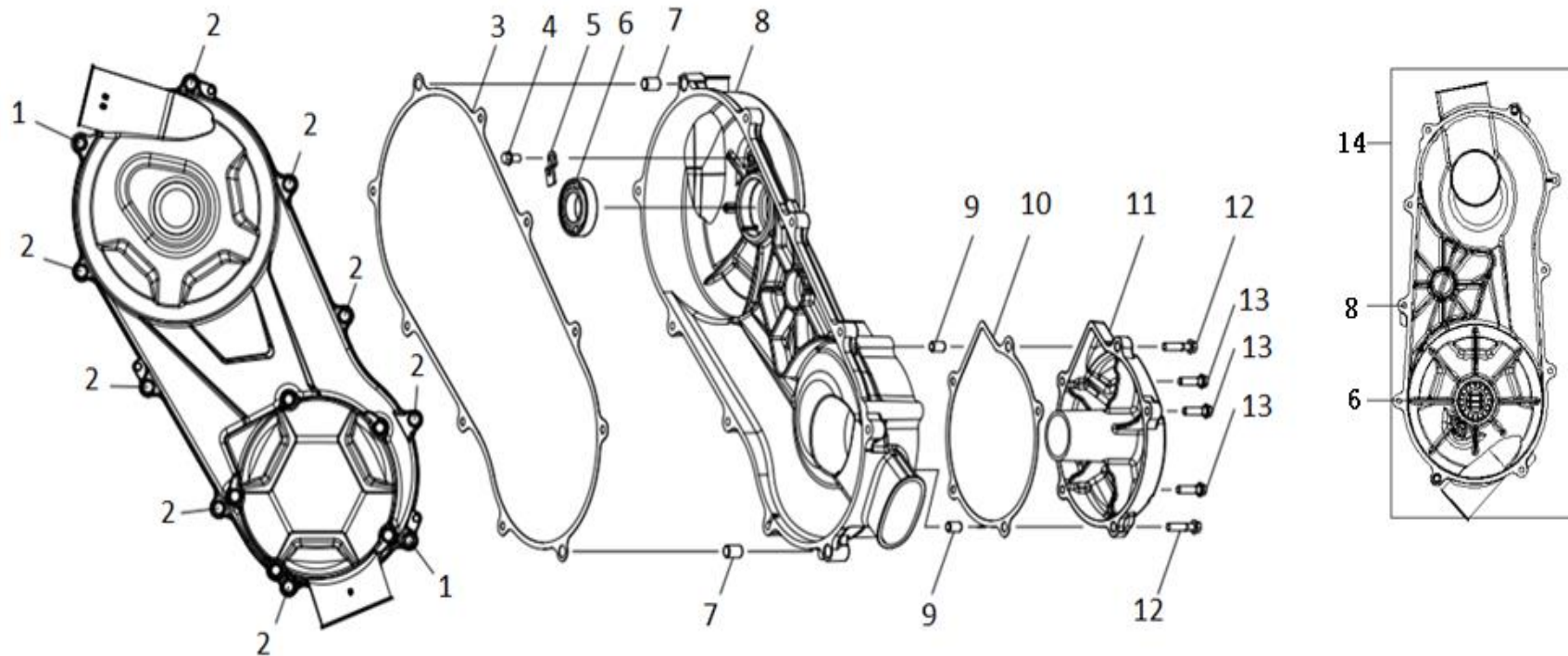
Kontakt  
Tlf salgsafdeling: 7021 2626  
Tlf teknisk support: 7696 2326

P. Lindberg A/S  
Sdr. Ringvej 1  
DK – 6600 Vejen

RES LONCIN XWOLF 300 DK V1  
www.p-lindberg.dk  
e-mail: salg@p-lindberg.dk

Pos	Varenr / item no	Varenavn	Item name	OE	stk / qty
11	N/A	Clamp	CLAMP, WIRE	380940229-0001	1
12	9071086	Pakdåse 25x40x8	OIL SEAL	380650128-0001	1
13	N/A	Plade	PLATE, GEAR INDICATOR SWITCH PRESSURE	270740004-0001	1
14	N/A	Bolt	BOLT, HEXAGON FLANGE	380140168-0002	1
15	9071087	Gear indikator kontakt	SWITCH COMP., GEAR INDICATOR	270650106-0001	1
16	N/A	Bolt	BOLT, HEXAGON FLANGE	380140015-0006	1
17	N/A	Støttebolt, lang	BOLT, STUD A	110240082-0001	2
18	9071088	Pakdåse 27x42x7	OIL SEAL	380650537-0001	1
19	N/A	Krumtap, komplet – venstre	CRANKCASE ASSY., LEFT	500040058-0001	1

MOTOR FIGUR E3  
- VENSTRE KRUMTAPHUS



Kontakt  
Tlf salgsafdeling: 7021 2626  
Tlf teknisk support: 7696 2326

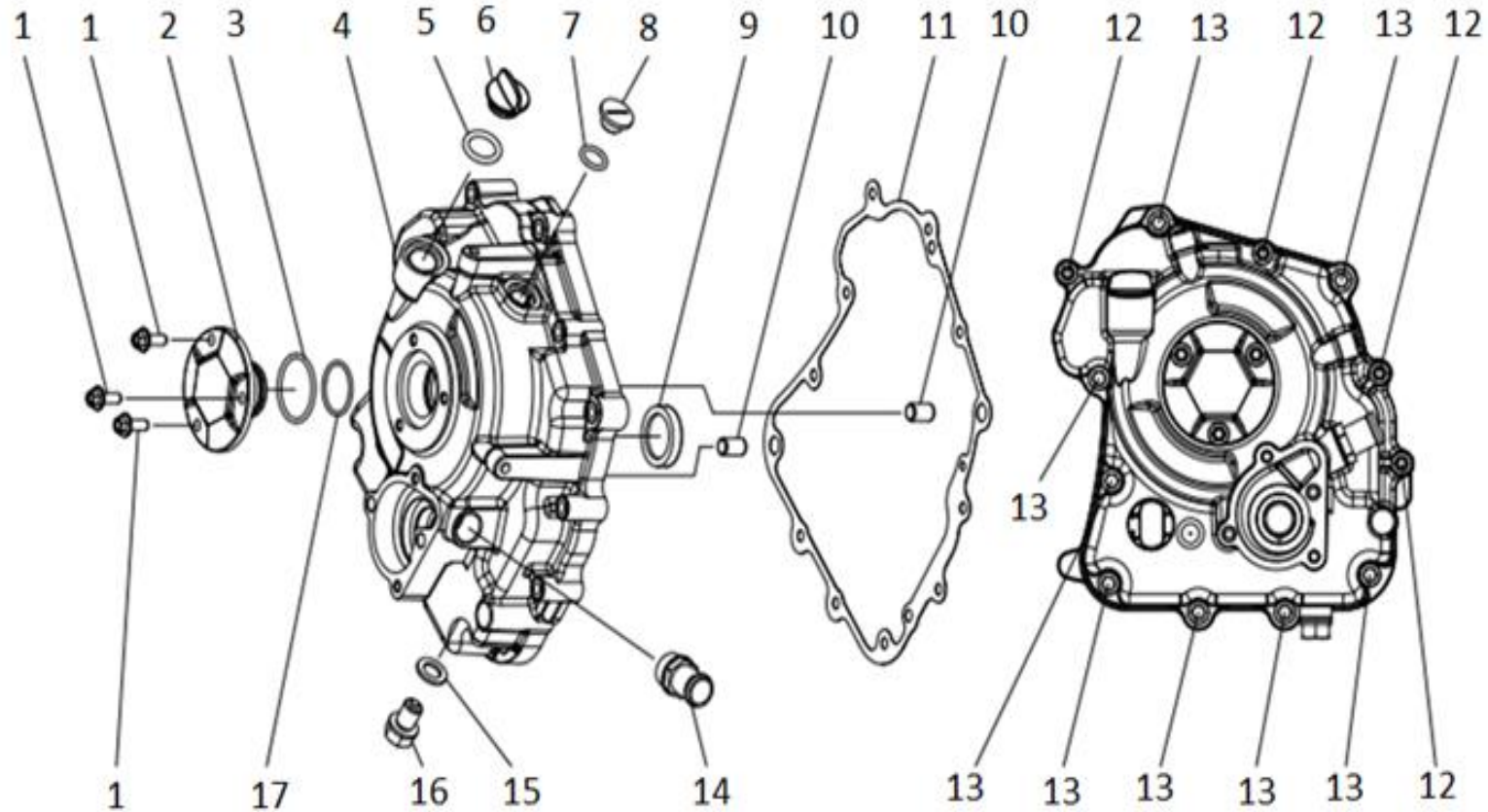
P. Lindberg A/S  
Sdr. Ringvej 1  
DK – 6600 Vejen

RES LONCIN XWOLF 300 DK V1  
www.p-lindberg.dk  
e-mail: salg@p-lindberg.dk

## DELE TIL FIG E3

Pos	Varenr / item no	Varenavn	Item name	OE	stk / qty
1	N/A	Bolt	<i>BOLT, HEXAGON FLANGE</i>	380140019-0006	2
2	N/A	Bolt	<i>BOLT, HEXAGON FLANGE</i>	380140017-0005	8
3	9071089	Pakning, ved sidedæksel (venstre krumtap)	<i>GASKET, LEFT CRANKCASE COVER</i>	110390033-0001	1
4	N/A	Bolt	<i>BOLT, HEXAGON FLANGE</i>	380140026-0006	1
5	N/A	Plade	<i>CHECK PLATE, MAINSHAFT BEARING</i>	191380016-0001	1
6	N/A	Kugleleje	<i>BEARING</i>	380630746-0001	1
7	N/A	Split	<i>PIN, DOWEL</i>	380600006-0001	2
8	N/A	Sidedæksel (venstre krumtap)	<i>COVER COMP., LEFT CRANKCASE</i>	110380185-0002	1
9	N/A	Split	<i>PIN, DOWEL</i>	380600002-0001	2
10	9071090	Pakning, ved cover	<i>GASKET</i>	111630002-0001	1
11	N/A	Cover	<i>COVER, LEFT DECORATING</i>	110430043-0002	1
12	N/A	Bolt	<i>BOLT, HEXAGON FLANGE</i>	380140030-0005	2
13	N/A	Bolt	<i>BOLT, HEXAGON FLANGE</i>	380140016-0005	3
14	9071091	Sidedæksel (venstre krumtap) – komplet	<i>COVER ASSY., LEFT FRONT</i>	50006S008-0001	1

MOTOR FIGUR E4  
– HØJRE KRUMTAPHUS (1)



DELE TIL FIG E4

Pos	Varenr / item no	Varenavn	Item name	OE	stk / qty
1	N/A	Bolt	<i>BOLT, HEXAGON FLANGE</i>	380140002-0006	3
2	N/A	Dæksel	<i>CAP, RIGHT DECORATIVE</i>	110720100-0002	1
3	N/A	Låsering	<i>RING, SEAL</i>	380841271-0001	1
4	N/A	Dæksel, højre krumtap	<i>COVER COMP., RIGHT CRANKCASE</i>	110600892-0002	1

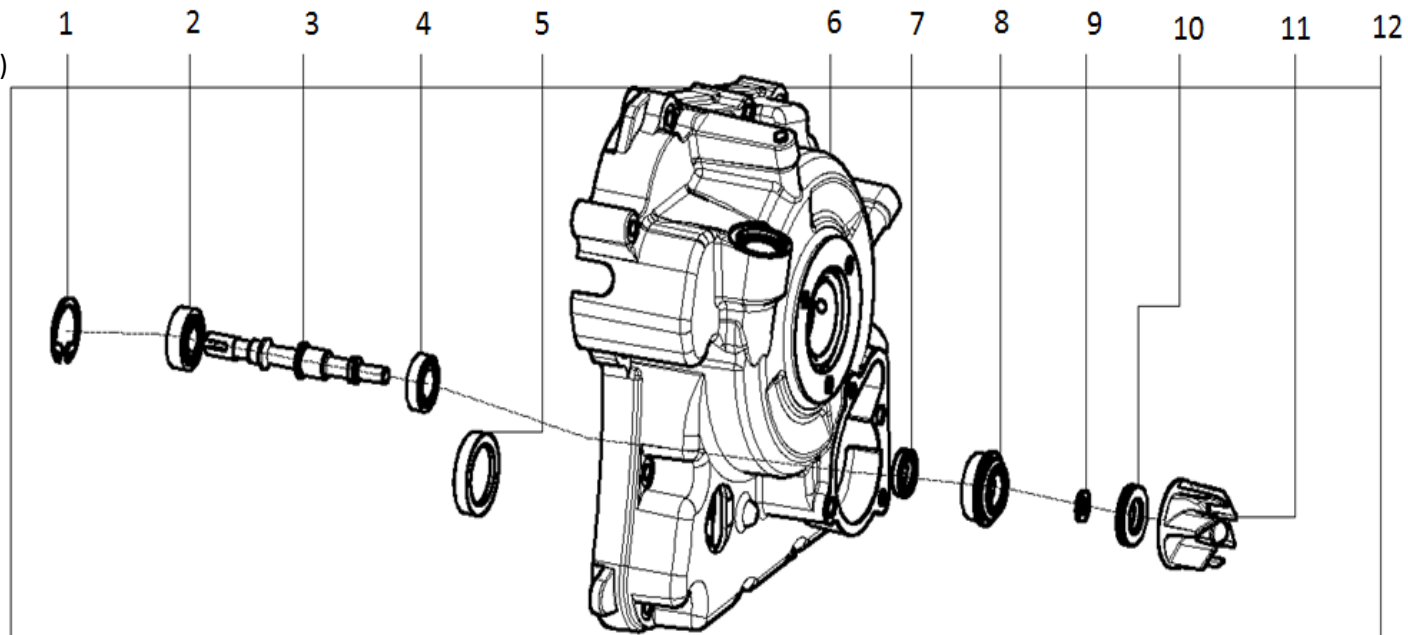
Kontakt  
Tlf salgsafdeling: 7021 2626  
Tlf teknisk support: 7696 2326

P. Lindberg A/S  
Sdr. Ringvej 1  
DK – 6600 Vejen

RES LONCIN XWOLF 300 DK V1  
www.p-lindberg.dk  
e-mail: salg@p-lindberg.dk

Pos	Varenr / item no	Varenavn	Item name	OE	stk / qty
5	N/A	Låsering	RING, SEAL	380840006-0001	1
6	9071092	Påfyldningsprop	GAUGE COMP., OIL LEVEL	110700008-0003	1
7	N/A	Låsering	RING, SEAL	380840079-0001	1
8	N/A	Prop	COVER, INSPECTION	110440001-0104	1
9	N/A	Skueglas	SIGHT GLASS, OIL	110630012-0001	1
10	N/A	Split	PIN, DOWEL	380600006-0001	2
11	9071093	Pakning, ved sidedæksel (højre krumtap)	GASKET, RIGHT CRANKCASE COVER	110620085-0001	1
12	N/A	Bolt	BOLT, HEXAGON FLANGE	380140128-0002	4
13	N/A	Bolt	BOLT, HEXAGON FLANGE	380140230-0001	8
14	N/A	Samler	JOINT, CONNECTING	380780248-0001	1
15	N/A	Skive	WASHER, PLAIN	380450018-0003	1
16	N/A	Låsebolt	SCREW PLUG, SEAL	110260057-0002	1
17	N/A	Låsering	RING, SEAL	380841253-0001	1

MOTOR FIGUR E5  
– HØJRE KRUMTAPHUS (2)

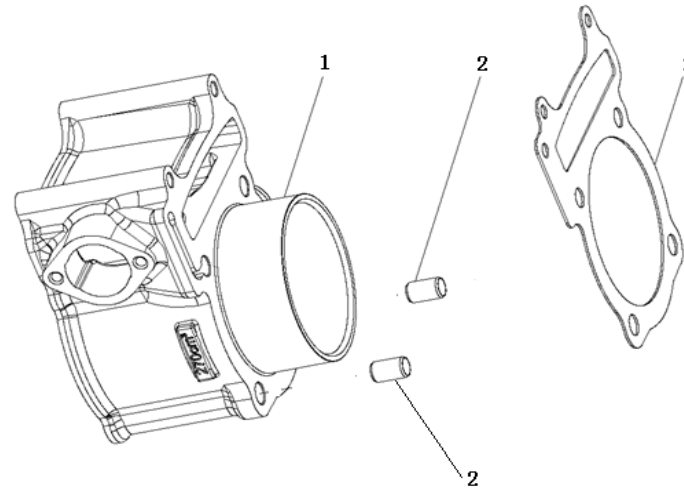


## DELE TIL FIG E5

Pos	Varenr / item no	Varenavn	Item name	OE	stk / qty
1	N/A	Låsering	CHECK RING, ELASTIC	380550178-0001	1
2	N/A	Kugleleje	BEARING	380630092-0001	1
3	N/A	Aksel	SHAFT, COOLING PUMP	160410043-0001	1
4	N/A	Kugleleje	BEARING	380630276-0001	1
5	9071094	Skueglas	SIGHT GLASS,OIL	110630012-0001	1
6	N/A	Sidedæksel, højre krumtap	COVER COMP., RIGHT CRANKCASE	110600892-0002	1
7	9071095	Pakdåse 12x20x4	OIL SEAL	380650797-0001	1
8	9071096	Akseltætning for vandpumpe	HYDROSEAL STATIONARY ELEMENT , COOLING PUMP	160420001-0001	1
9	9071097	Skive indv Ø7,2 mm, udv Ø13 mm	WASHER, PLAIN	380451265-0001	1
10	9071098	Tætningsring	HYDROSEAL MOVING RING, COOLING PUMP	160430001-0001	1
11	9071099	Skovlhjul	IMPELLER, COOLING PUMP	160440029-0001	1
12	9071100	Sidedæksel, højre krumtap, komplet	COVER ASSY., RIGHT CRANKCASE	50008S005-0001	1

## MOTOR FIGUR E6

– CYLINDER



## DELE TIL FIG E6

Pos	Varenr / item no	Varenavn	Item name	OE	stk / qty
1	9071101	Cylinder	BODY SET, CYLINDER	120020419-0001	1
2	N/A	Split	PIN, DOWEL	380600006-0001	2
3	9071102	Pakning, cylinder	GASKET, CYLINDER	120050120-0001	1

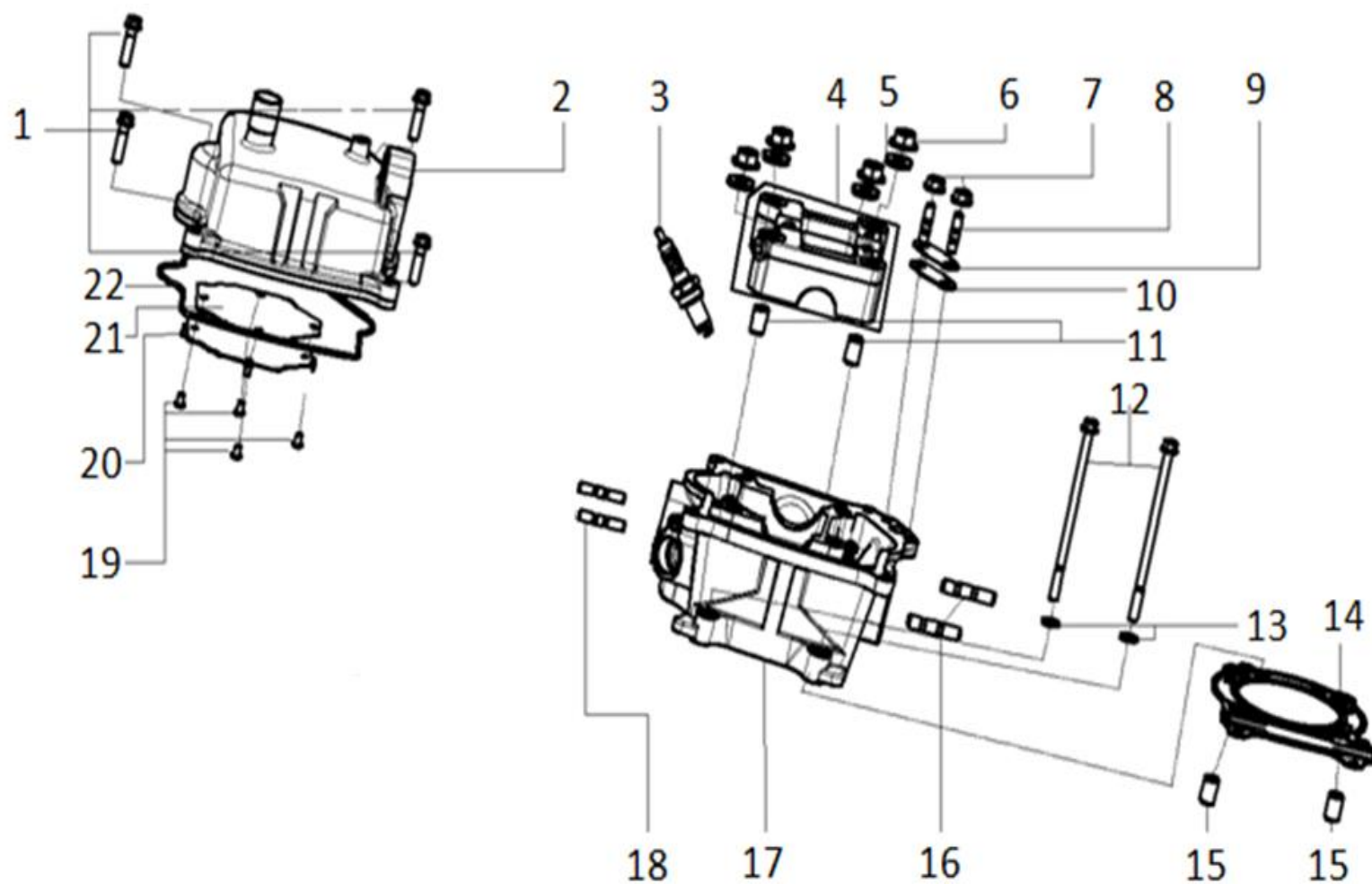
Kontakt  
Tlf salgsafdeling: 7021 2626  
Tlf teknisk support: 7696 2326

P. Lindberg A/S  
Sdr. Ringvej 1  
DK – 6600 Vejen

RES LONCIN XWOLF 300 DK V1  
www.p-lindberg.dk  
e-mail: salg@p-lindberg.dk



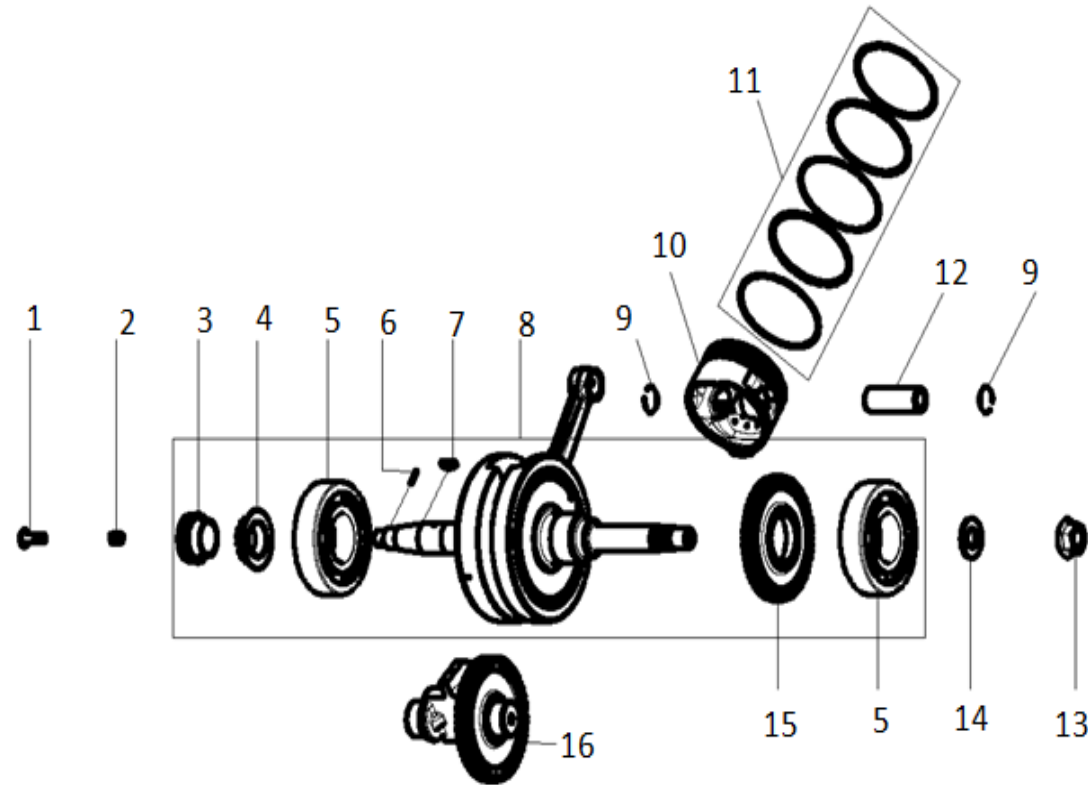
MOTOR FIGUR E7  
– CYLINDERHOVED



## DELE TIL FIG E7

Pos	Varenr / item no	Varenavn	Item name	OE	stk / qty
1	N/A	Bolt	<i>BOLT, HEXAGON FLANGE</i>	380140016-0005	4
2	9071103	Ventildæksel	<i>COVER COMP., CYLINDER HEAD</i>	120220099-0001	1
3	9071104	Tændrør D8RC	<i>PLUG, SPARK</i>	270960077-0001	1
4	N/A	Vippearmholder	<i>ANCHORAGE, ROCKER ARM</i>	140540040-0001	1
5	N/A	Skive	<i>WASHER, PLAIN</i>	380450052-0001	4
6	N/A	Møtrik	<i>NUT, HEXAGON FLANGE</i>	380370007-0004	4
7	N/A	Møtrik	<i>NUT, HEXAGON FLANGE</i>	380370003-0006	2
8	N/A	Støttebolt	<i>STUD</i>	380180047-0002	2
9	N/A	Cover	<i>COVERING, SECONDARY AIR INLET</i>	181750001-0003	1
10	9071105	Pakning, topstykke	<i>GASKET, AIR COMPENSATING TUBE</i>	180540002-0001	1
11	N/A	Split	<i>PIN, DOWEL</i>	380600006-0001	2
12	N/A	Bolt	<i>BOLT, HEXAGON FLANGE</i>	380140131-0002	2
13	N/A	Skive	<i>WASHER, PLAIN</i>	380450021-0001	2
14	9071106	Toppakning	<i>GASKET, CYLINDER HEAD</i>	120150268-0001	1
15	N/A	Split	<i>PIN, DOWEL</i>	380600006-0001	2
16	N/A	Støttebolt	<i>STUD</i>	380180021-0002	2
17	9071107	Topstykke	<i>HEAD COMP., CYLINDER</i>	120080930-0001	1
18	N/A	Støttebolt	<i>STUD</i>	380180010-0003	2
19	N/A	Skrue	<i>SCREW, CROSS RECESSED PAN</i>	380200037-0003	4
20	N/A	Plade	<i>PLATE, OIL SEPARATING</i>	120520015-0001	1
21	9071108	Ventildækselpakning (1)	<i>GASKET, OIL SEPARATING PLATE</i>	120660009-0001	1
22	9071109	Ventildækselpakning (2)	<i>RING, SEAL</i>	380841249-0001	1

MOTOR FIGUR E8  
– KRUMTAPAKSEL



DELE TIL FIG E8

Pos	Varenr / item no	Varenavn	Item name	OE	stk / qty
1	9071110	Rør (olie)	PIPE, MISSION OIL	150520003-0001	1
2	N/A	Fjeder	SPRING, COMPRESSION	381150123-0001	1
3	N/A	Kædehjul	OIL PUMP DRIVE GEAR	150150049-0001	1
4	N/A	Tandhjul	SPROCKET, TIMING DRIVE	130230076-0001	1
5	N/A	Kugleleje	BEARING	380630751-0001	2
6	N/A	Pin	LOCATION PIN	380600081-0001	1
7	9071111	Kile	KEY	380620001-0001	1
8	9071112	Krumtap, komplet	CRANKSHAFT COMP.	130140308-0002	1
9	9071113	Låserring for krydspind	CHECK RING, STEEL CABLE BAFFLE	380560134-0001	2
10	9071114	Stempel	PISTON COMP.	130030329-0001	1
11	9071115	Stempelringesæt	RING SET, PISTON	130070286-0001	1
12	9071116	Krydspind	PIN, PISTON	130060095-0001	1

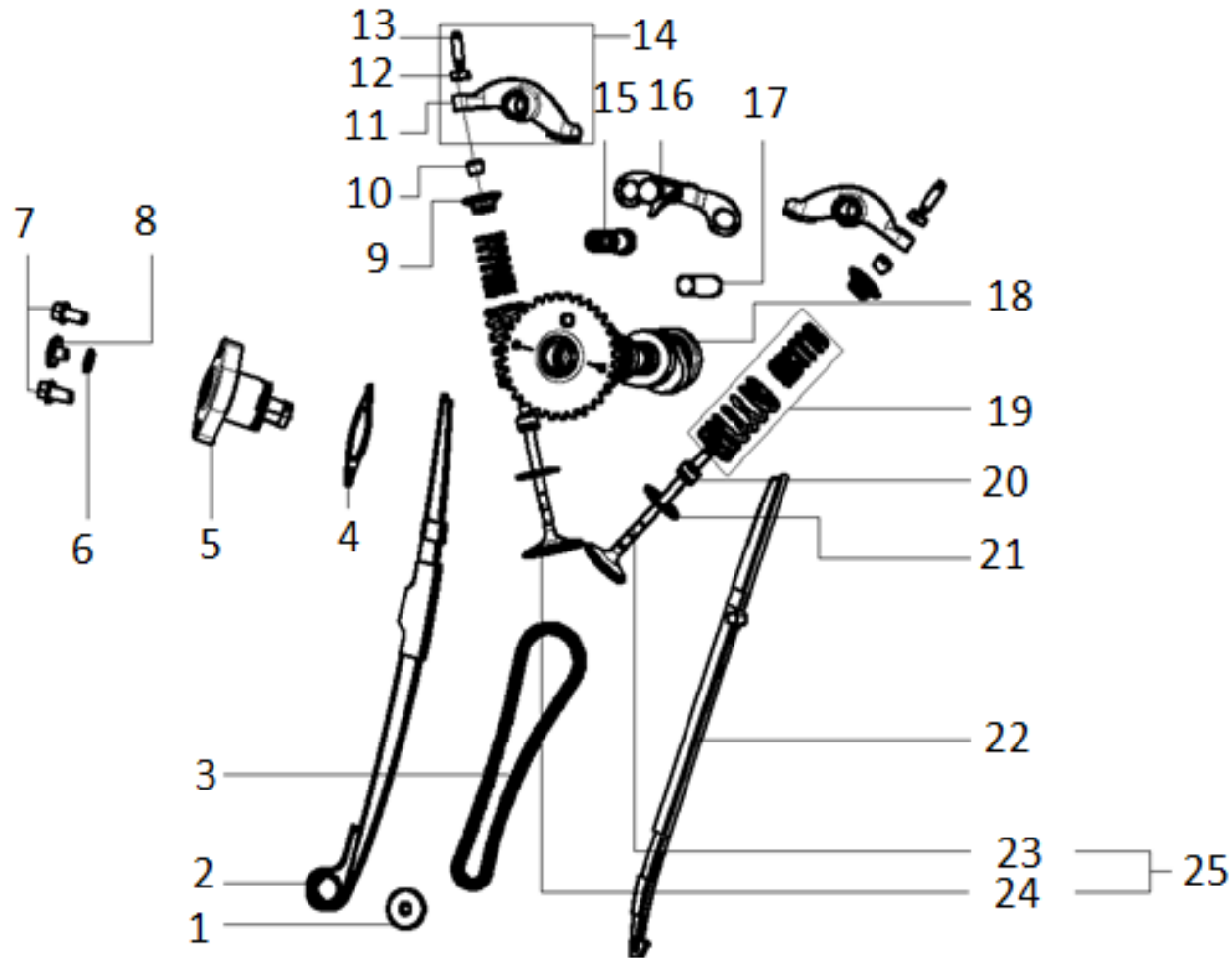
Kontakt  
Tlf salgsafdeling: 7021 2626  
Tlf teknisk support: 7696 2326

P. Lindberg A/S  
Sdr. Ringvej 1  
DK – 6600 Vejen

RES LONCIN XWOLF 300 DK V1  
www.p-lindberg.dk  
e-mail: salg@p-lindberg.dk

Pos	Varenr / item no	Varenavn	Item name	OE	stk / qty
13	9071117	Møtrik M14x1,25	NUT, HEXAGON FLANGE	380370025-0004	1
14	N/A	Skive	WASHER, PLAIN	380450368-0001	1
15	N/A	Tandhjul	GEAR, BALANCING ARBOR DRIVE	130460034-0001	1
16	N/A	Balancehjul	BALANCING ARBOR ASSY.	130440014-0001	1

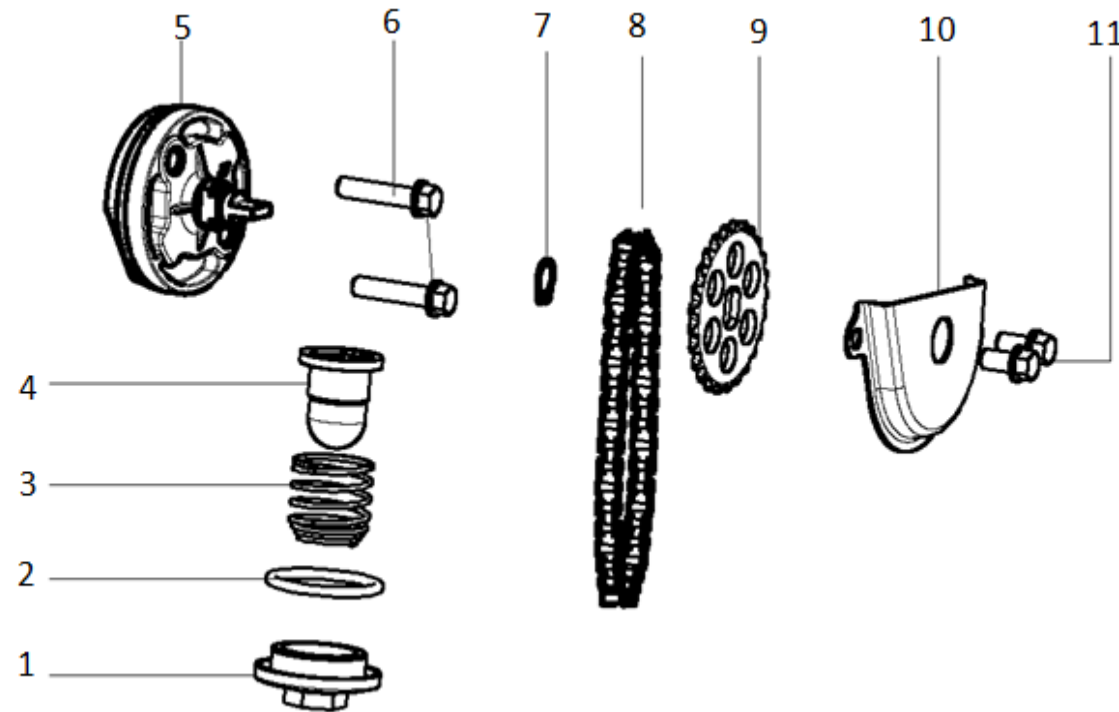
MOTOR FIGUR E9  
– MOTORVENTIL



## DELE TIL FIG E9

Pos	Varenr / item no	Varenavn	Item name	OE	stk / qty
1	N/A	Bolt	<i>BOLT, TENSION PLATE</i>	141070008-0001	1
2	9071118	Kædestyr	<i>PLATE, TENSION</i>	140910023-0001	1
3	9071119	Knastkæde	<i>CHAIN, TIMING</i>	140610015-0001	1
4	9071120	Pakning, kædestrammer	<i>GASKET, CAM CHAIN TENSIONER</i>	140830030-0001	1
5	9071121	Kædestrammer	<i>TENSIONER ASSY., CAM CHAIN</i>	140750040-0001	1
6	N/A	Låsering	<i>RING, SEAL</i>	380841008-0001	1
7	N/A	Bolt	<i>BOLT, HEXAGON FLANGE</i>	380140021-0006	2
8	N/A	Bolt	<i>BOLT, TENSIONER</i>	141370008-0001	1
9	N/A	Fjederleje	<i>RETAINER, VALVE SPRING</i>	140380061-0001	2
10	9071122	Ventillås	<i>COTTER, VALVE</i>	140390030-0001	4
11	N/A	Vippearm	<i>ARM COMP., VALVE ROCKER</i>	140460085-0001	2
12	N/A	Møtrik	<i>NUT, VALVE ADJUSTING</i>	140490003-0001	2
13	N/A	Bolt	<i>BOLT, VALVE ADJUSTING</i>	140480002-0001	2
14	9071123	Vippearm, komplet	<i>ARM ASSY., VALVE ROCKER</i>	140450099-0001	2
15	N/A	Aksel	<i>SHAFT, VALVE ROCKER ARM</i>	140510079-0001	1
16	9071124	Plade (toppakning)	<i>CHECK PLATE COMP., CYLINDER HEAD</i>	140200005-0001	1
17	N/A	Aksel	<i>SHAFT, VALVE ROCKER ARM</i>	140510080-0001	1
18	9071125	Knastaksel	<i>CAMSHAFT ASSY.</i>	140020211-0001	1
19	N/A	Ventilfjeder	<i>SPRING SET, VALVE</i>	140330018-0001	2
20	9071126	Ventilstyrspakdåse	<i>SHIELD, OIL</i>	140400002-0001	2
21	N/A	Ventilfjederleje	<i>SEAT, VALVE SPRING OUTER</i>	140370002-0001	2
22	N/A	Kædestyr	<i>GUIDE PLATE, CHAIN</i>	141000049-0001	1
23	9071127	Ventil, udstødning	<i>VALVE, EXHAUST</i>	140310121-0001	1
24	9071128	Ventil, indsugning	<i>VALVE, INLET</i>	140300120-0001	1
25	N/A	Ventil kit	<i>VALVE KIT</i>	500550118-0001	1

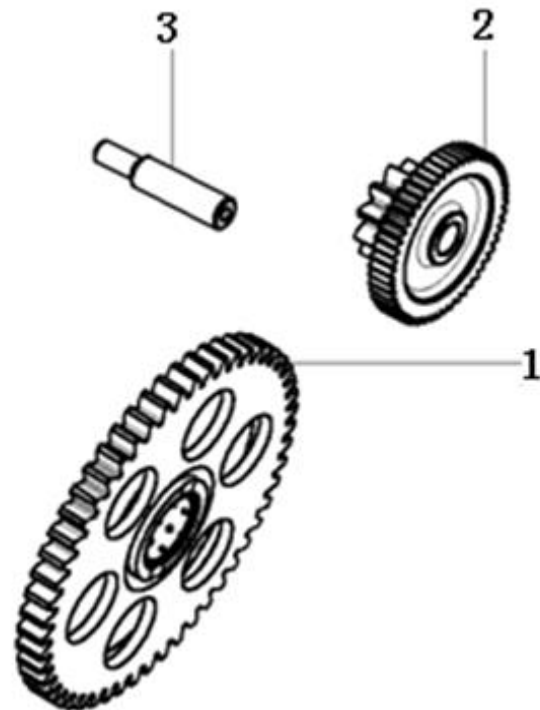
MOTOR FIGUR E10  
– OLIESMØRING



DELE TIL FIG E10

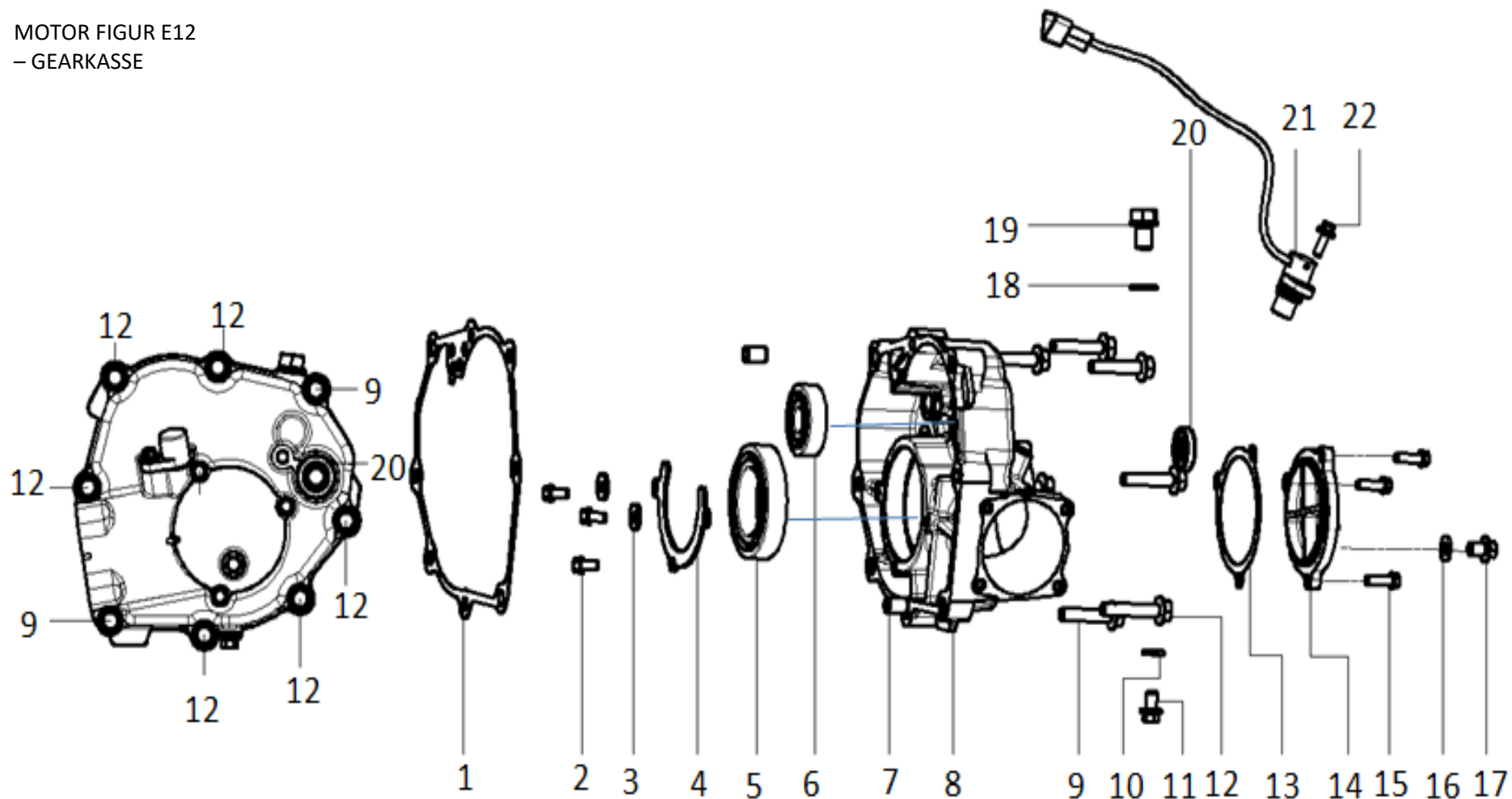
Pos	Varenr / item no	Varenavn	Item name	OE	stk / qty
1	9070473	Dæksel	CAP, TAPPET ADJUSTING HOLE	120280003-0008	1
2	9070472	Tætningsring	RING, SEAL	380840132-0001	1
3	N/A	Trykfjeder	SPRING, COMPRESSION	381150252-0001	1
4	N/A	Oliesi	SCREEN, OIL STRAINER	150290001-0001	1
5	N/A	Oliepumpe	PUMP ASSY., OIL	150010131-0001	1
6	N/A	Bolt	BOLT, HEXAGON FLANGE	380140017-0005	1
7	N/A	Låsering	CHECK RING, ELASTIC	380550046-0001	1
8	N/A	Kæde for oliepumpe	CHAIN, OIL PUMP	150170011-0001	1
9	N/A	Tandhjul	SPROCKET, OIL PUMP DRIVEN	150070069-0001	1
10	N/A	Cover for tandhjul	SHIELD, OIL PUMP SPROCKET	150260005-0001	1
11	N/A	Bolt	BOLT, HEXAGON FLANGE	380140026-0006	2

MOTOR FIGUR E11  
- STARTDREV



Pos	Varenr / item no	Varenavn	Item name	OE	stk / qty
1	N/A	Tandskive	DISK GEAR	193240054-0001	1
2	N/A	Mellemgear	DUPLEX GEAR, ELECTRIC STARTING	193190055-0001	1
3	N/A	Aksel for mellemgear	SHAFT, DUPLEX GEAR	193230031-0001	1

MOTOR FIGUR E12  
– GEARKASSE

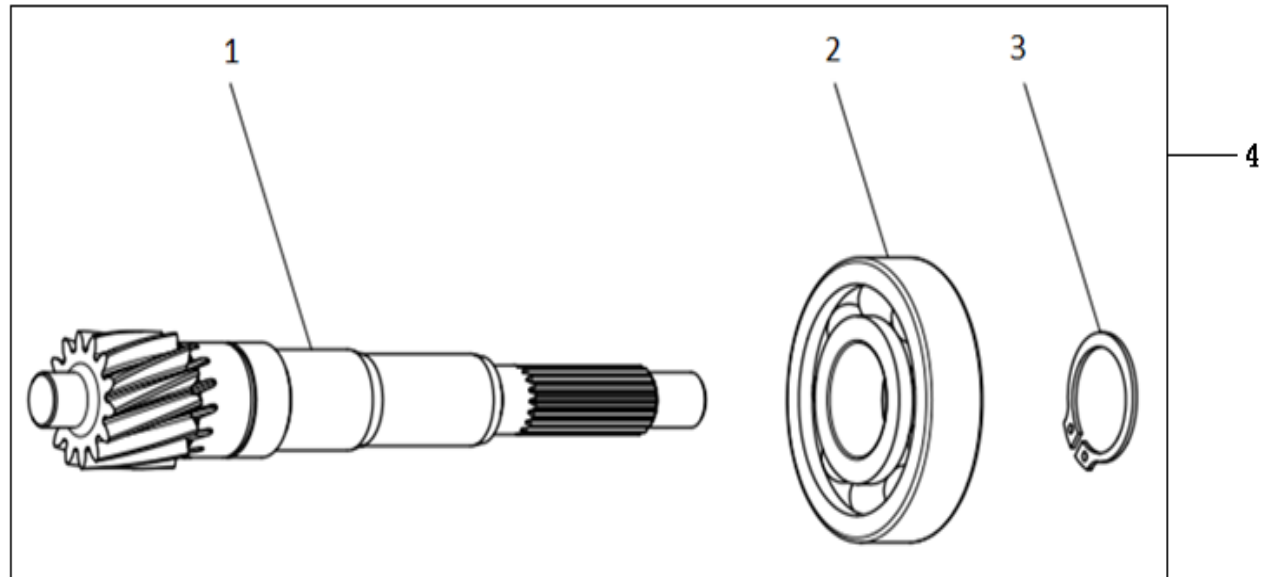




## DELE TIL FIG E12

Pos	Varenr / item no	Varenavn	Item name	OE	stk / qty
1	9071129	Pakning for gearkasse	GASKET, TRANSMISSION CASE	110200024-0001	1
2	N/A	Bolt	BOLT, HEXAGON FLANGE	380140026-0006	3
3	N/A	Skive	WASHER, PLAIN	380450226-0001	2
4	N/A	Plade	CHECK PLATE, COUNTERSHAFT BEARING	191650004-0001	1
5	N/A	Kugleleje	BEARING	380630747-0001	1
6	N/A	Kugleleje	BEARING	380630623-0001	1
7	N/A	Split	PIN, DOWEL	380600006-0001	2
8	N/A	Gearkassehus	BODY SET, TRANSMISSION CASE	110180032-0002	1
9	N/A	Bolt	BOLT, HEXAGON FLANGE	380140762-0002	2
10	N/A	Skive	WASHER, PLAIN	380450354-0001	1
11	N/A	Bolt	BOLT, HEXAGON FLANGE	380140009-0004	1
12	N/A	Bolt	BOLT, HEXAGON FLANGE	380140160-0002	6
13	9071130	Pakning, gearkasse cover	GASKET FOR GEAR TRANSMISSION CASE	111340001-0001	1
14	N/A	Cover	COVER FOR GEAR TRANSMISSION CASE	111330010-0002	1
15	N/A	Bolt	BOLT, HEXAGON FLANGE	380140015-0006	3
16	N/A	Skive	WASHER, PLAIN	380450354-0001	1
17	N/A	Bolt	BOLT, HEXAGON FLANGE	380140009-0004	1
18	N/A	Skive	WASHER, PLAIN	380450018-0003	1
19	N/A	Låseskrue	SCREW PLUG, SEAL	110260003-0006	1
20	9071131	Pakdåse, 14x28x7	OIL SEAL	380650008-0001	1
21	9071132	Sensor	TRANSDUCER, VELOCITY	281920034-0002	1
22	N/A	Bolt	BOLT, HEXAGON FLANGE	380140002-0006	1

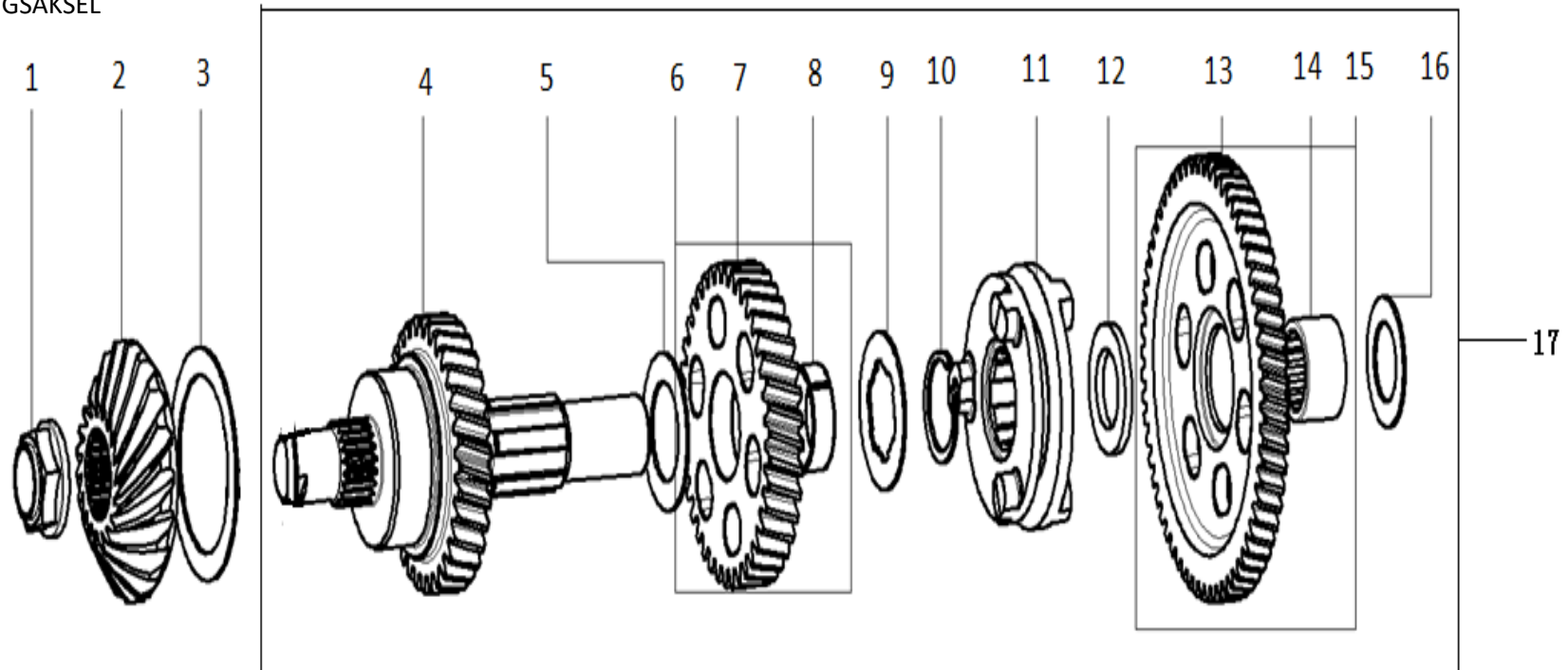
MOTOR FIGUR E13  
- HOVEDAKSEL



DELE TIL FIG E13

Pos	Varenr / item no	Varenavn	Item name	OE	stk / qty
1	N/A	Hovedaksel	MAINSHAFT	191260115-0001	1
2	N/A	Kugleleje	BEARING	380630748-0001	1
3	N/A	Låsering	CHECK RING, ELASTIC	380550044-0001	1
4	9071133	Hovedaksel, komplet	MAINSHAFT COMP	191255223-0001	1

MOTOR FIGUR E14  
– UDGANGSAKSEL



DELE TIL FIG E14

Pos	Varenr / item no	Varenavn	Item name	OE	stk / qty
1	N/A	Møtrik	NUT, ALL-METAL HEXAGON WITH FLANGE	380400046-0001	1
2	9071134	Kronhjul (1)	BEVEL GEAR, DRIVING	195070018-0001	1
3	N/A	Shim (justering)	SHIM, DRIVING BEVEL GEAR GAP ADJUSTMENT	195080004-0002	1
4	N/A	Udgangsaksel	COUNTERSHAFT	191400178-0001	1
5	N/A	Låsering	CHECK RING, SHOULDER	380540196-0001	1
6	N/A	Geartandhjul, frem (lav) – komplet	DRIVEN GEAR ASSY., FORWARD GEAR LOW RANGE	195030001-0001	1
7	N/A	Geartandhjul, frem (lav)	DRIVEN GEAR, FORWARD GEAR LOW RANGE	195040003-0001	1
8	N/A	Krave	COLLAR	380823838-0001	1
9	N/A	Skive	WASHER, SPLINE	380500072-0001	1

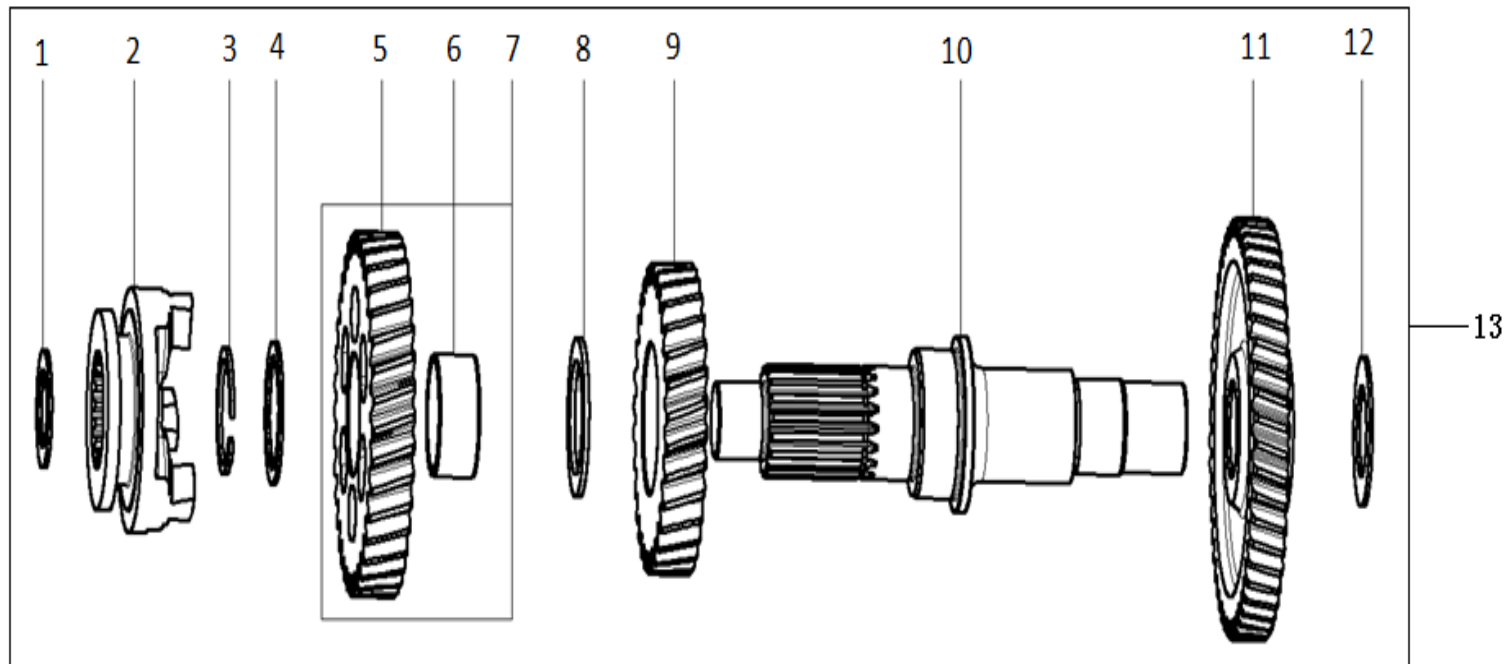
Kontakt  
Tlf salgsafdeling: 7021 2626  
Tlf teknisk support: 7696 2326

P. Lindberg A/S  
Sdr. Ringvej 1  
DK – 6600 Vejen

RES LONCIN XWOLF 300 DK V1  
www.p-lindberg.dk  
e-mail: salg@p-lindberg.dk

Pos	Varenr / item no	Varenavn	Item name	OE	stk / qty
10	N/A	Låsering	CHECK RING, ELASTIC	380550233-0001	1
11	N/A	Klokobling	THUMB WHEEL, GEAR SHIFT	194120005-0001	1
12	N/A	Låsering	CHECK RING, SHOULDER	380540195-0001	1
13	N/A	Tandhjul, bakgear	GEAR, REVERSE GEAR DRIVEN	191760015-0001	1
14	N/A	Kugleleje	BEARING	380630666-0001	1
15	N/A	Tandgearhjul, bakgear – komplet	DRIVEN GEAR ASSY., REVERSE GEAR	195380003-0001	1
16	N/A	Låsering	CHECK RING, SHOULDER	380540082-0001	1
17	9071135	Udgangsaksel, komplet	COUNTERSHAFT ASSY.	195410005-0001	1

MOTOR FIGUR E15  
– MELLEMAKSEL

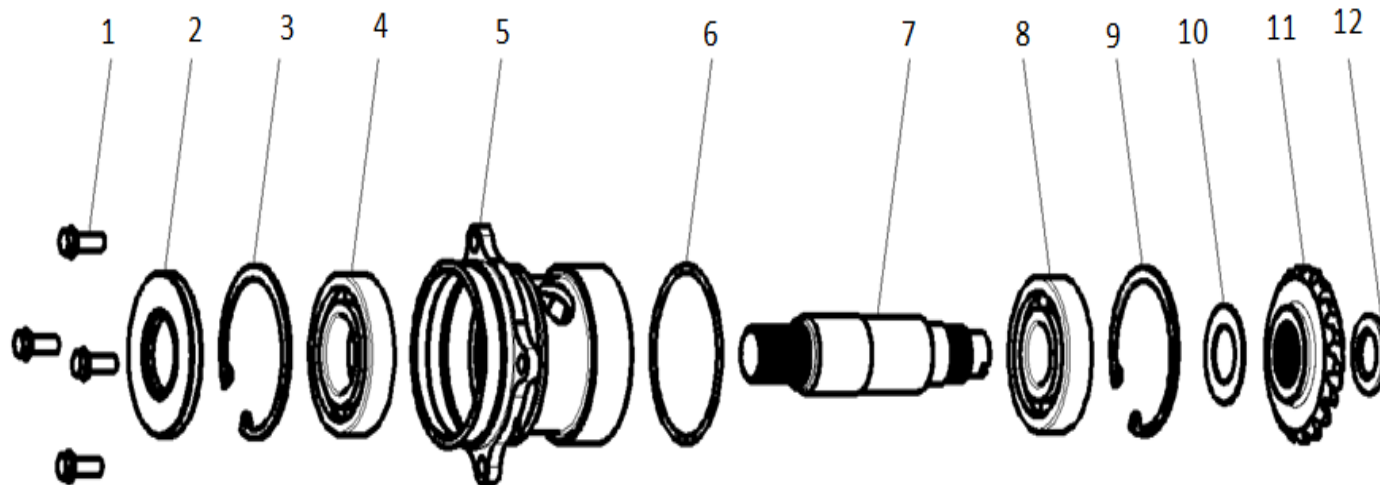


## DELE TIL FIG E15

Pos	Varenr / item no	Varenavn	Item name	OE	stk / qty
1	N/A	Låsering	CHECK RING, SHOULDER	380540020-0001	1
2	N/A	Klokobling	THUMB WHEEL, GEAR SHIFT	194120004-0001	1
3	N/A	Låsering	CHECK RING, ELASTIC	380550233-0001	1
4	N/A	Skive	WASHER, SPLINE	380500071-0001	1
5	N/A	Gærtandhjul, frem (høj)	DRIVING GEAR, FORWARD GEAR HIGH RANGE	194980004-0001	1
6	N/A	Krave	COLLAR	380823837-0001	1
7	N/A	Gærtandhjul, frem (høj) – komplet m/krave	DRIVING GEAR ASSY., FORWARD GEAR HIGH RANGE	194970002-0001	1
8	N/A	Låsering	CHECK RING, SHOULDER	380540194-0001	1
9	N/A	Gærtandhjul, frem (lav)	DRIVING GEAR, FORWARD GEAR LOW RANGE	195000002-0001	1
10	N/A	Mellemaksel, bakgear	INTERMEDIATE AXLE, REVERSE GEAR	191880009-0001	1
11	N/A	Gærtandhjul, frem	GEAR, FORWARD GEAR DRIVEN	191730004-0001	1
12	N/A	Låsering	CHECK RING, SHOULDER	380540208-0001	1
13	9071136	Mellemaksel, bakgear – komplet	INTERMEDIATE AXLE COMP., REVERSE GEAR	191870007-0001	1

## MOTOR FIGUR E16

– UD GANGSAKSEL, GEARKASSE



Kontakt  
Tlf salgsafdeling: 7021 2626  
Tlf teknisk support: 7696 2326

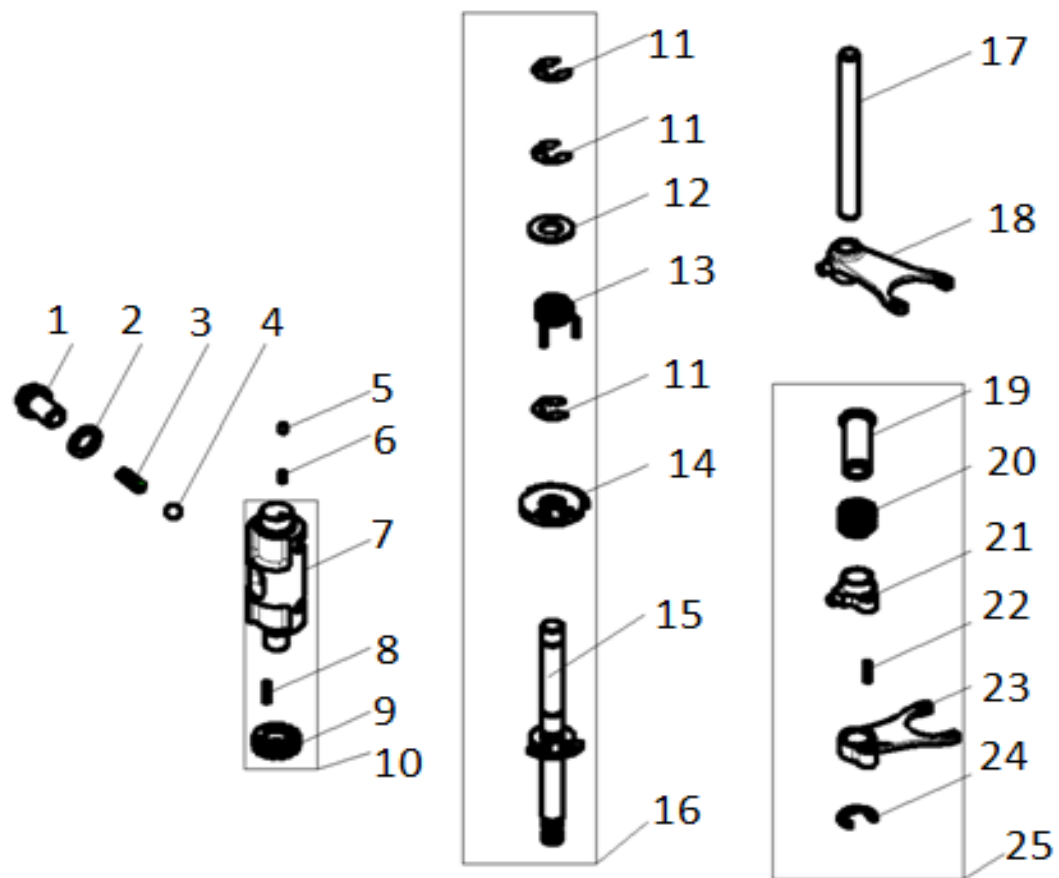
P. Lindberg A/S  
Sdr. Ringvej 1  
DK – 6600 Vejen

RES LONCIN XWOLF 300 DK V1  
www.p-lindberg.dk  
e-mail: salg@p-lindberg.dk

## DELE TIL FIG E16

Pos	Varenr / item no	Varenavn	Item name	OE	stk / qty
1	N/A	Bolt	<i>BOLT, HEXAGON FLANGE</i>	380140015-0006	4
2	9071137	Pakdåse, 28x59x7	<i>OIL SEAL</i>	380650791-0001	1
3	N/A	Låseskive	<i>CHECK RING, ELASTIC</i>	380550232-0001	1
4	N/A	Kugleleje	<i>BEARING</i>	380630750-0001	1
5	N/A	Endestykke	<i>END HOUSING, REAR DRIVE OUTPUT SHAFT</i>	195170003-0001	1
6	N/A	Låsering	<i>RING, SEAL</i>	380841259-0001	1
7	N/A	Udgangsaksel	<i>OUTPUT SHAFT</i>	193050038-0001	1
8	N/A	Kugleleje	<i>BEARING</i>	380630749-0001	1
9	N/A	Låsering	<i>CHECK RING, ELASTIC</i>	380550177-0001	1
10	N/A	Shim	<i>SHIM, DRIVEN BEVEL GEAR GAP ADJUSTMENT</i>	195110013-0002	1
11	9071138	Kronhjul (2)	<i>BEVEL GEAR, DRIVEN</i>	195100019-0001	1
12	N/A	Møtrik	<i>NUT, ALL-METAL HEXAGON WITH FLANGE</i>	380400047-0001	1

MOTOR FIGUR E17  
– SKIFTEGAFTEL

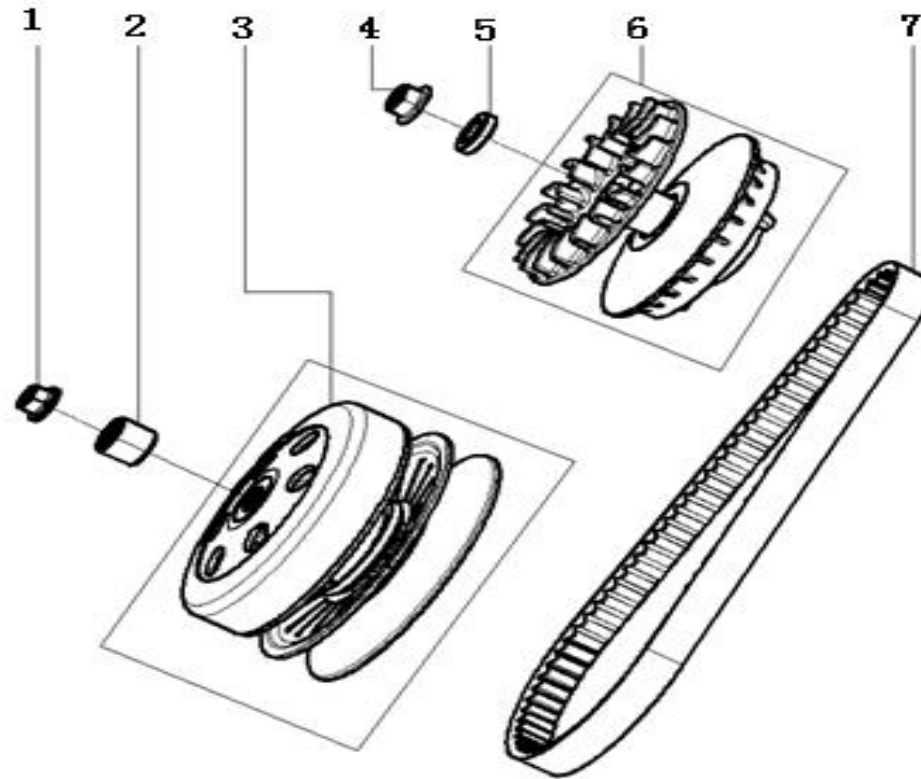


## DELE TIL FIG E17

Pos	Varenr / item no	Varenavn	Item name	OE	stk / qty
1	N/A	Bolt	<i>BOLT, HEXAGON FLANGE</i>	380140211-0003	1
2	N/A	Skive	<i>WASHER, PLAIN</i>	380450362-0001	1
3	N/A	Trykfjeder	<i>SPRING, COMPRESSION</i>	381150253-0001	1
4	N/A	Kugle	<i>BALL, STEEL</i>	380640016-0001	1
5	N/A	Skiftekontakt	<i>SHIFT CONTACT, GEAR INDICATOR SWITCH</i>	270720001-0001	1
6	N/A	Trykfjeder	<i>SPRING, COMPRESSION</i>	381150005-0001	1
7	N/A	Skiftetromle	<i>DRUM COMP., GEAR SHIFT</i>	192080098-0001	1
8	N/A	Split	<i>PIN, DOWEL</i>	380600276-0001	1
9	N/A	Tandhjul	<i>GEAR QUADRANT, GEAR SHIFT DRUM</i>	194150003-0001	1
10	9071139	Skiftetromle, komplet	<i>DRUM ASSY., GEAR SHIFT</i>	192070013-0001	1
11	N/A	Splitskive	<i>SPLIT WASHER</i>	380570015-0001	3
12	N/A	Skive	<i>WASHER, PLAIN</i>	380450368-0001	1
13	N/A	Strammefjeder	<i>SPRING, TORSIONAL</i>	381160288-0001	1
14	N/A	Tandhjul	<i>GEAR QUADRANT, GEAR SHIFT SPINDLE</i>	194160003-0001	1
15	N/A	Gearskiftespindel	<i>SPINDLE COMP., GEAR SHIFT</i>	192340089-0001	1
16	9071140	Gearskiftespindel, komplet	<i>SPINDLE ASSY., GEAR SHIFT</i>	192330065-0001	1
17	N/A	Aksel f/skiftegaffel	<i>SHAFT, SHIFT FORK GUIDE</i>	192130063-0001	1
18	9071141	Skiftegaffel	<i>FORK, GEAR SHIFT</i>	192120133-0001	1
19	N/A	Styrerulle	<i>GUIDING TUBE OF GEARSHIFT FORK</i>	192150003-0001	1
20	N/A	Trykfjeder	<i>SPRING, COMPRESSION</i>	381150703-0001	1
21	N/A	Styrerulle	<i>GUIDING TUBE OF GEARSHIFT FORK</i>	192150002-0001	1
22	N/A	Split	<i>PIN, DOWEL</i>	380600048-0001	1
23	N/A	Gaffel	<i>FORK, GEAR SHIFT</i>	192120134-0001	1
24	N/A	Splitskive	<i>SPLIT WASHER</i>	380570044-0001	1
25	9071142	Skiftegaffel, komplet	<i>FORK ASSY., GEAR SHIFT</i>	194530025-0001	1



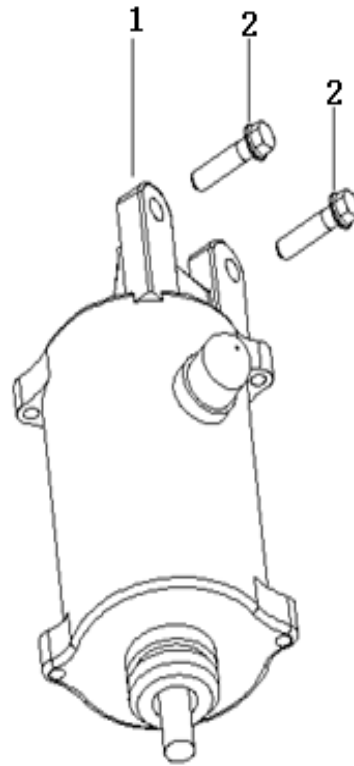
MOTOR FIGUR E18  
– REMTRÆK



DELE TIL FIG E18

Pos	Varenr / item no	Varenavn	Item name	OE	stk / qty
1	9071143	Møtrik M12x1,25	NUT, HEXAGON FLANGE	380370024-0001	1
2	N/A	Krave	COLLAR	380823845-0001	1
3	9071144	Kobling	BELT PULLEY COMP., DRIVEN	192890034-0001	1
4	9071117	Møtrik M14x1,25	NUT, HEXAGON FLANGE	380370025-0004	1
5	N/A	Krave	COLLAR	380823844-0001	1
6	9071145	Vario/CVT inkl blæservinge	BELT PULLEY ASSY., DRIVING	192810034-0001	1
7	9071146	Variatorrem	BELT	193000044-0001	1

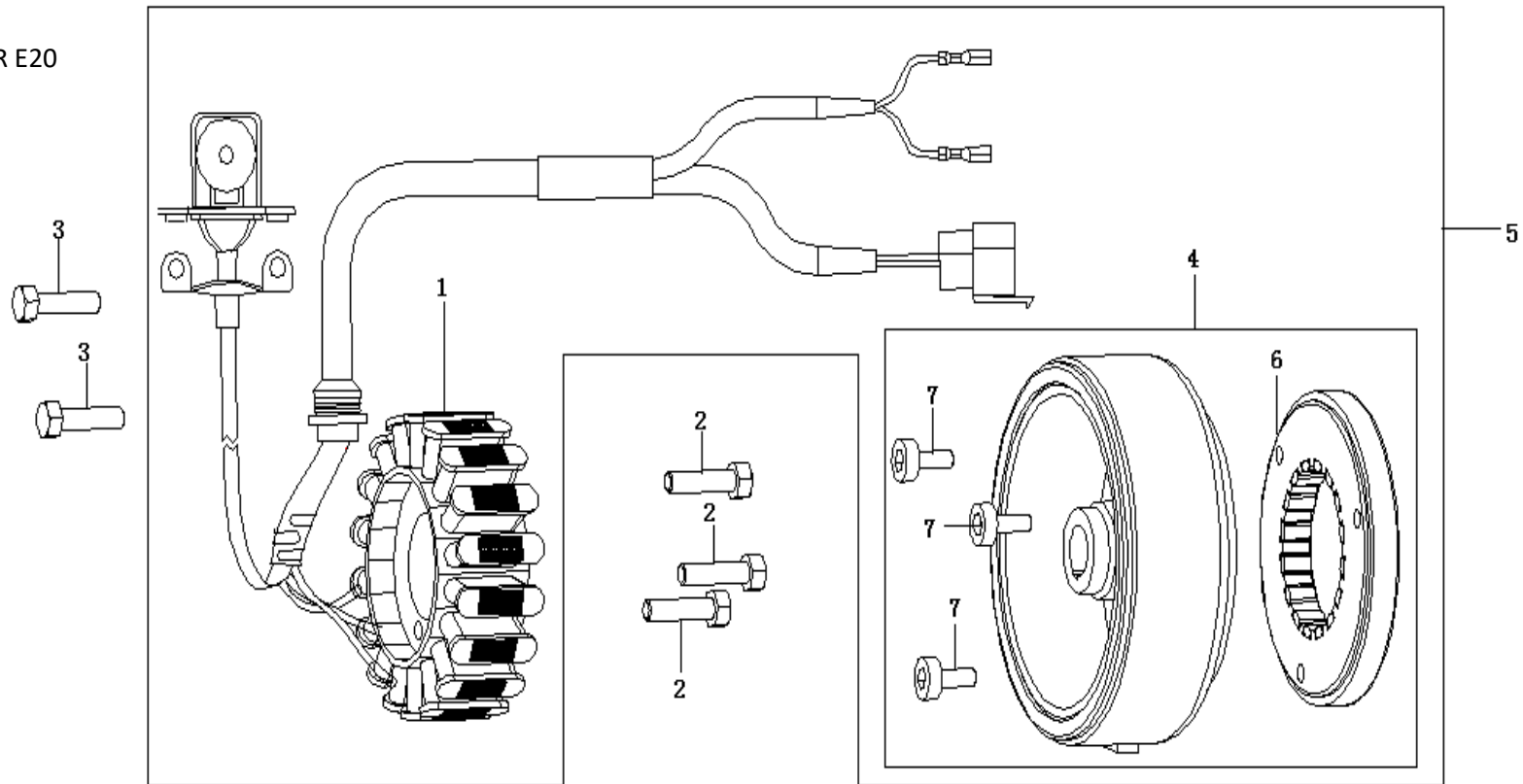
MOTOR FIGUR E19  
– START MOTOR



DELE TIL FIG E19

Pos	Varenr / item no	Varenavn	Item name	OE	stk / qty
1	9071147	Startmotor, komplet	<i>MOTOR ASSY., STARTING</i>	270350126-0003	1
2	N/A	Bolt	<i>BOLT, HEXAGON FLANGE</i>	380140016-0005	2

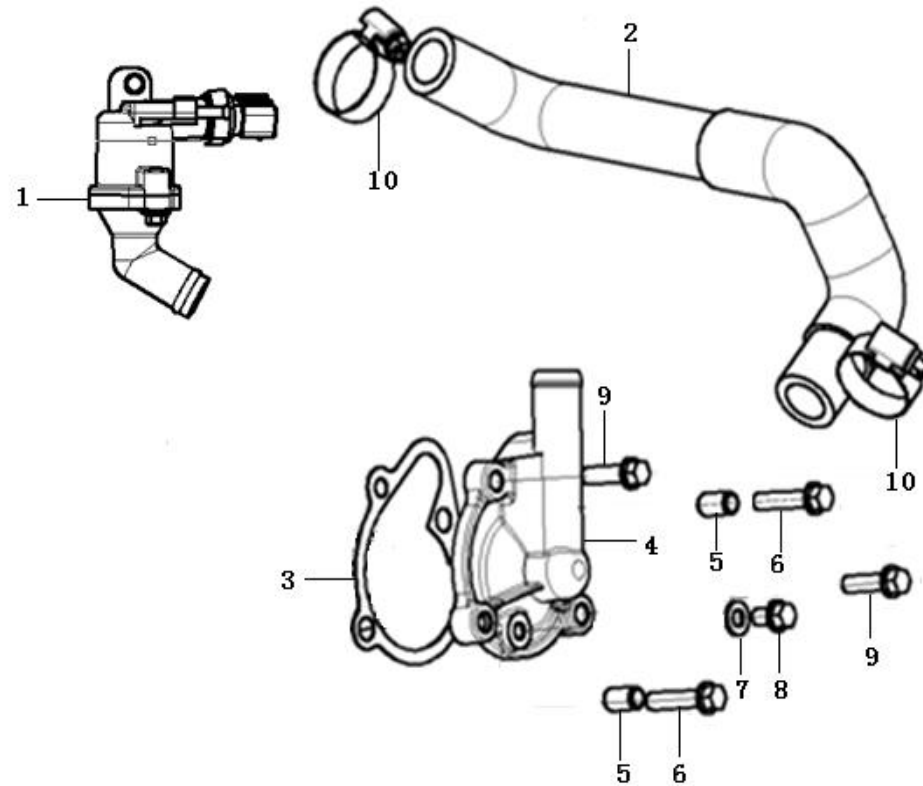
MOTOR FIGUR E20  
- STATOR



DELE TIL FIG E20

Pos	Varenr / item no	Varenavn	Item name	OE	stk / qty
1	9071148	Stator, komplet	STATOR COMP.	270100332-0002	1
2	N/A	Bolt	BOLT, HEXAGON FLANGE	380140760-0001	3
3	N/A	Bolt	BOLT, HEXAGON FLANGE	380140047-0004	2
4	9071149	Svinghjul inkl friløbsleje	ROTOR COMP.	270020569-0002	1
5	9071150	Generator, komplet	GENERATOR ASSY.	270010477-0002	1
6	9071151	Friløbsleje	BODY ASSY., STARTING CLUTCH	193090039-0001	1
7	N/A	Skrue	SCREW, HEXAGON SOCKET	380190387-0001	3

MOTOR FIGUR E21  
- KØLESYSTEM



DELE TIL FIG E21

Pos	Varenr / item no	Varenavn	Item name	OE	stk / qty
1	9071152	Termostat, komplet	THERMOSTAT COMP.	160110080-0001	1
2	9071153	Rør (vand)	TUBE, WATER	380760465-0001	1
3	9071154	Pakning, kølerdæksel	GASKET OF COOLING PUMP COVER	161370003-0001	1
4	9071155	Dæksel, kølesystem	CAP, COOLING PUMP	160470074-0002	1
5	N/A	Split	PIN, DOWEL	380600002-0001	2
6	N/A	Bolt	BOLT, HEXAGON FLANGE	380140143-0002	2
7	N/A	Skive	WASHER, PLAIN	380450048-0001	1
8	N/A	Bolt	BOLT, HEXAGON FLANGE	380140168-0002	1
9	N/A	Bolt	BOLT, HEXAGON FLANGE	380140021-0006	2
10	N/A	Spændebånd	HOOP ASSY.	380960248-0001	2

Vi forbeholder os ret til uden foregående varsel at ændre de tekniske parametre og specifikationer for dette produkt

Kontakt  
Tlf salgsafdeling: 7021 2626  
Tlf teknisk support: 7696 2326

P. Lindberg A/S  
Sdr. Ringvej 1  
DK - 6600 Vejen

RES LONCIN XWOLF 300 DK V1  
www.p-lindberg.dk  
e-mail: salg@p-lindberg.dk