

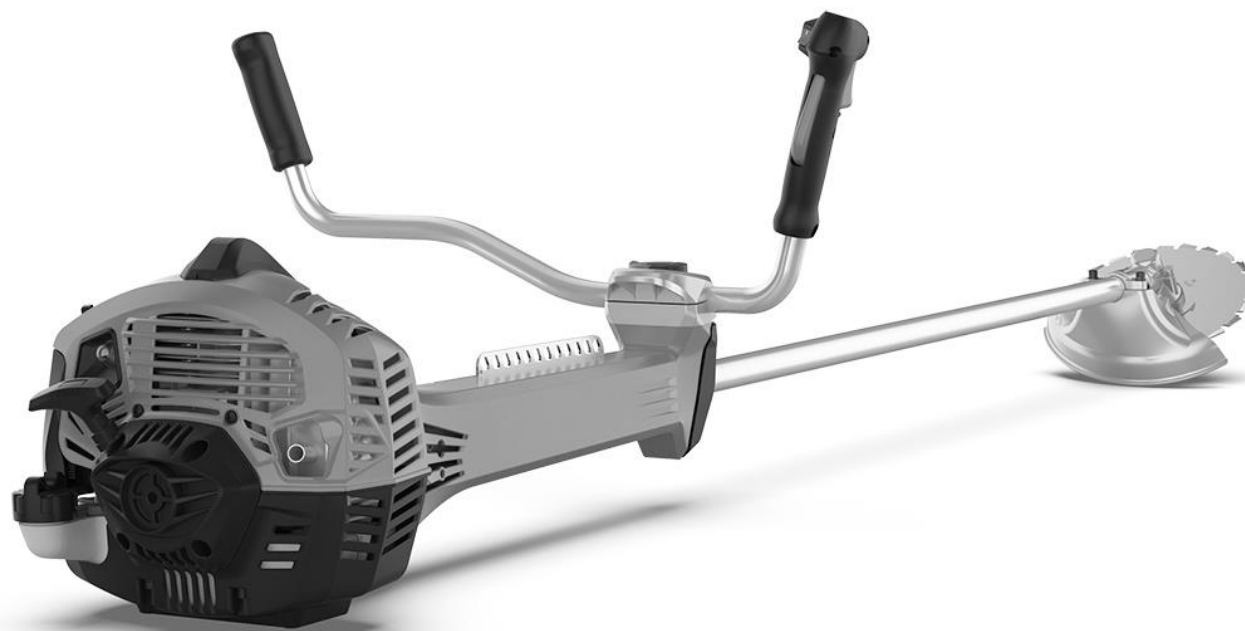
SKOG & TRÄDGÅRD



RÖJSÅG

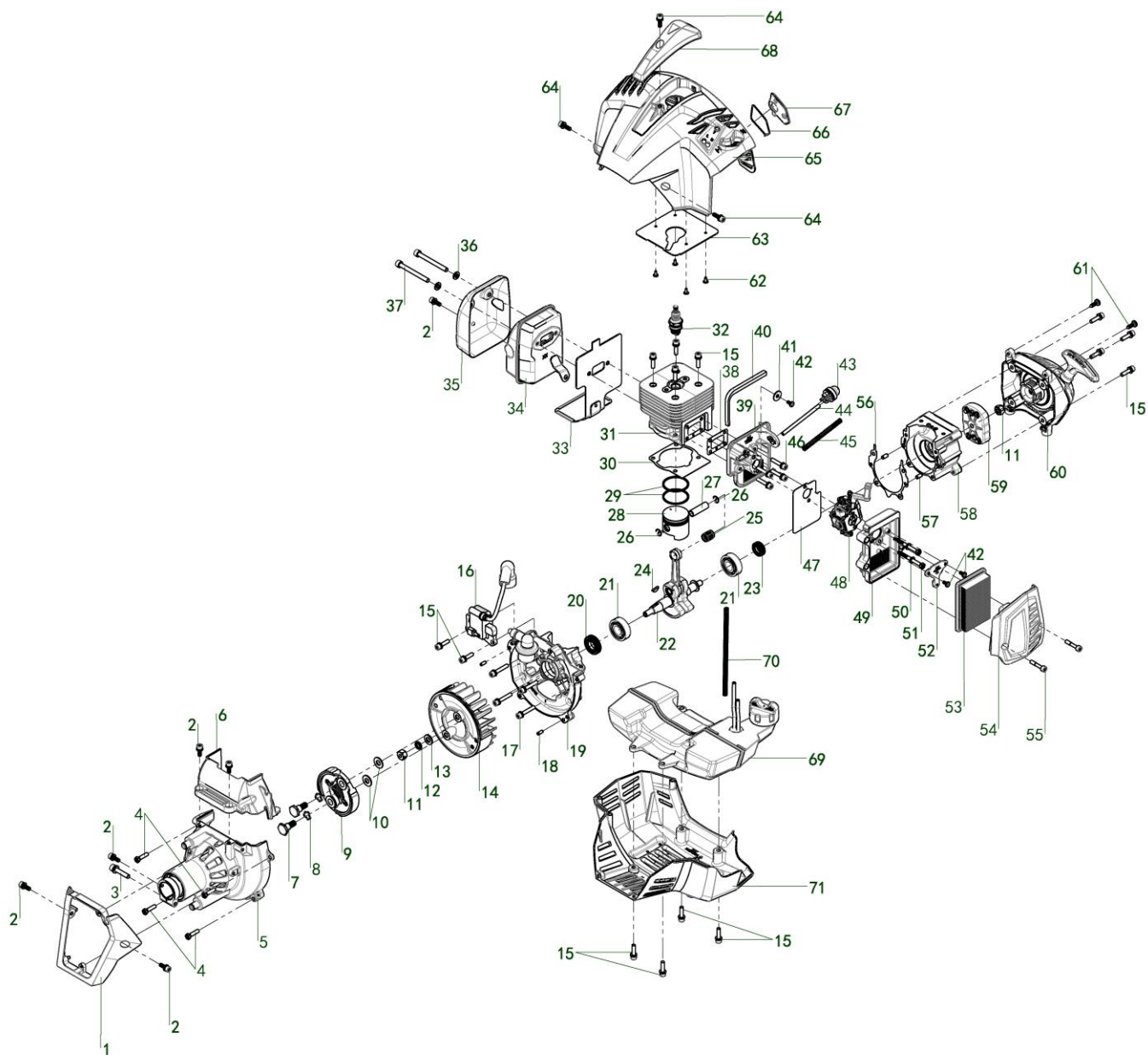
BENSINDRIVEN, 52CC

Reservdelskatalog till
9066522



V1 06.12.2022
revisionsdatum: 04.07.2024 (V2)

FIG 1



Kontakt
 Tel. order: 010-2097050
 Tel. teknisk support: 010-2097050

P. Lindberg
 Myrängatan 4
 745 37 Enköping

RES 9066522 SV V2
 www.p-lindberg.se
 e-mail: order@p-lindberg.se

DELAR TILL FIG 1

Pos	Art.	Varunamn	Item name	OE	Antal / quantity
1	N/A	Skyddsplatta	Decorating plate	80300446-01	1
2	N/A	M5x14 skruv	M5x14 screw	80700026-05	6
3	9050222	M6x30 skruv	M6x30 screw	80700048-10	1
4	N/A	M5x20 skruv	M5x20 screw	80700030-03	4
5	N/A	Kopplingshus	Output, assy	80100465-01	1
6	N/A	Anslutningsplatta	Connecting plate	80300445-01	1
7	N/A	Skruvar	Screw axes	80700128-01	2
8	N/A	Bricka	Wave washer	80700089-02	2
9	9070895	Koppling	Clutch	80100059-02	1
10	N/A	Bricka	Washer B	80700105-01	3
11	9050207	M8 mutter	M8 nut	80700052-06	2
12	N/A	Fjäderbricka	Spring washer 8	80700103-01	1
13	9050198	Bricka	Flat washer 8	80700137-01	1
14	N/A	Svänghjul	Fly wheel	80100471-02	1
15	N/A	M5x20 skruv	M5x20 screw	80700026-14	14
16	9067414	Tändspole	Ignition coil	80100468-03	1
17	N/A	M5x35 skruv	M5x35 screw	80700026-25	4
18	N/A	Stift Φ 4x10	Round pin Φ 4x10	80700185-01	2
19	N/A	Vevhus, främre halvan	Front-half crankshaft case	80200452-03	1
20	9015981	Packbox, TC15x30x7	Oil seal, TC15x30x7	80700179-02	1
21	N/A	Lager 6202/P6	Bearing 6202/P6	80700205-01	2
22	N/A	Vevaxel	Crankshaft	80100422-01	1
23	N/A	Packbox, TC12x22x7	Oil seal, TC12x22x7	80700175-02	1
24	N/A	Kil, 3x5x13	Half-round key, 3x5x13	80700084-05	1
25	N/A	Nållager, KBK10131	Bearing, needle KBK10131	80700113-02	1
26	N/A	Pin	Piston pin check ring	80200581-01	2
27	N/A	Pin	Piston pin	80200533-01	1
28	9067415	Kolv	Piston	80200530-05	1
29	9067416	Kolvring	Piston ring	80200432-01	2
30	9067417	Cylinderpackning	Cylinder gasket	80400403-01	1
31	9067418	Cylinder	Cylinder	80200642-02	1

Kontakt
Tel. order: 010-2097050
Tel. teknisk support: 010-2097050

P. Lindberg
Myrängatan 4
745 37 Enköping

RES 9066522 SV V2
www.p-lindberg.se
e-mail: order@p-lindberg.se

Pos	Art.	Varunamn	Item name	OE	Antal / quantity
32	9042472	Tändstift	Spark plug	80100068-01	1
33	9067419	Avgaspackning	Muffler gasket assy	80400404-01	1
34	9070893	Komplett avgassystem	Muffler, assy	80101041-01	1
35	9070894	Avgaskåpa	Muffler steel cover	80200606-02	1
36	N/A	Bricka	Flat washer 6	80700136-03	2
37	9070895	M6x60 skruv	M6x60 screw	80700046-15	2
38	N/A	Insugspackning	Inlet gasket	80400164-01	1
39	N/A	Inloppsrör	Inlet pipe	80300442-01	1
40	N/A	Skum till stång	Foam bar	80400032-01	1
41	N/A	Bricka	Flat washer 5x15x1,2	80700145-01	1
42	N/A	M4x8 skruv	M4x8 screw	80700014-02	3
43	9067420	Primerboll	Primer bulb	80100029-01	1
44	9067421	Bränsleslang	Output fuel hose	80800013-02	1
45	N/A	Fjäder med bränsleslang	Output fuel hose spring	T.BCS45-28	1
46	N/A	M5x25 skruv	M5x25 screw	80700026-21	4
47	9067422	Förgasarpackning	Carburator gasket	80400163-01	1
48	9067423	Förgasare	Carburator	80100461-03	1
49	9067424	Luftfilterhus	Air filter base	80200336-01	1
50	N/A	Bricka	Flat washer 5	80700135-01	1
51	N/A	M5x50 skruv	M5x50 screw	80700030-05	2
52	9067425	Luftfilterinsats	Air filter inlet plate	80300448-01	1
53	9067426	Luftfilter	Paper filter	80400267-01	1
54	9067427	Luftfilterkåpa	Air filter outer cover	80300441-01	1
55	N/A	M5x25 skruv	M5x25 hex screw	80700023-12	2
56	N/A	Vevaxel packning	Crankshaft gasket	80400054-01	1
57	N/A	Styrkran	Round pin B5x10	80700186-01	1
58	N/A	Vevhus, bakre halva	Back-half crankshaft case	80200456-02	1
59	9067428	Medbringare	Starter catch plate assy	80100053-02	1
60	9067429	Rekylstart, klar	Starter, assy	80100462-02	1
61	N/A	Skruv, ST4,8x15-H-C	ST4,8x15-H-C screw	80700079-10	2
62	N/A	Skruv, ST3x9-H-C	ST3x9-H-C screw	GB/T 845	4
63	N/A	Styrplatta	Air guide plate	80200201-01	1
64	9051169	M5x16 skruv	M5x16 screw	80700026-09	3

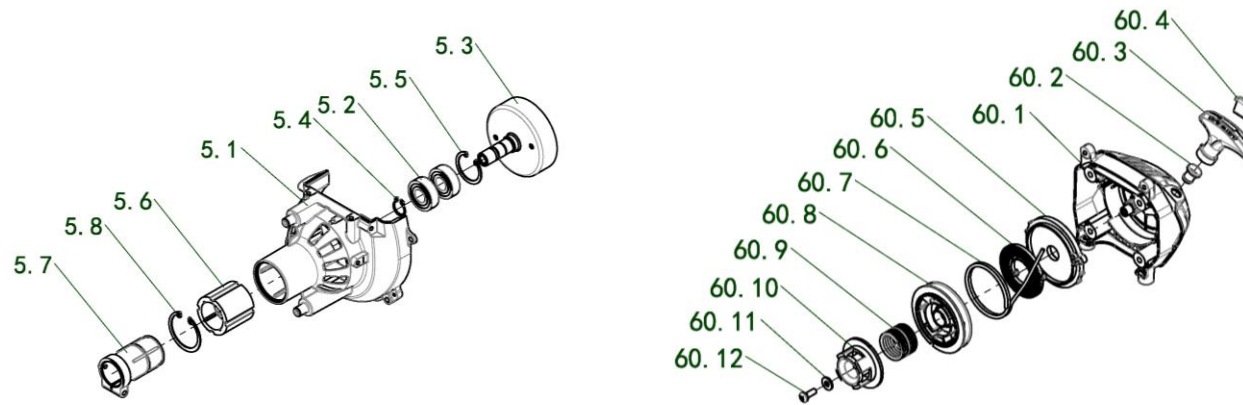
Kontakt
Tel. order: 010-2097050
Tel. teknisk support: 010-2097050

P. Lindberg
Myrängatan 4
745 37 Enköping

RES 9066522 SV V2
www.p-lindberg.se
e-mail: order@p-lindberg.se

Pos	Art.	Varunamn	Item name	OE	Antal / quantity
65	N/A	Motorkåpa	Engine case cover	80100597-03	1
66	N/A	Lås	Steel checking ring	T.BCS45-10	1
67	N/A	Primerskydd	Primer bulb cap	T.BCS45-09	1
68	N/A	Omslag	Top cover	80300444-01	1
69	9067430	Bränsletank, komplett	Fuel tank, assy	80100463-01	1
70	N/A	Slangskydd	Returing fuel hose spring	T.BCS45-29	1
71	9067431	Kåpa (under motor)	Under engine base cover	80300443-01	1

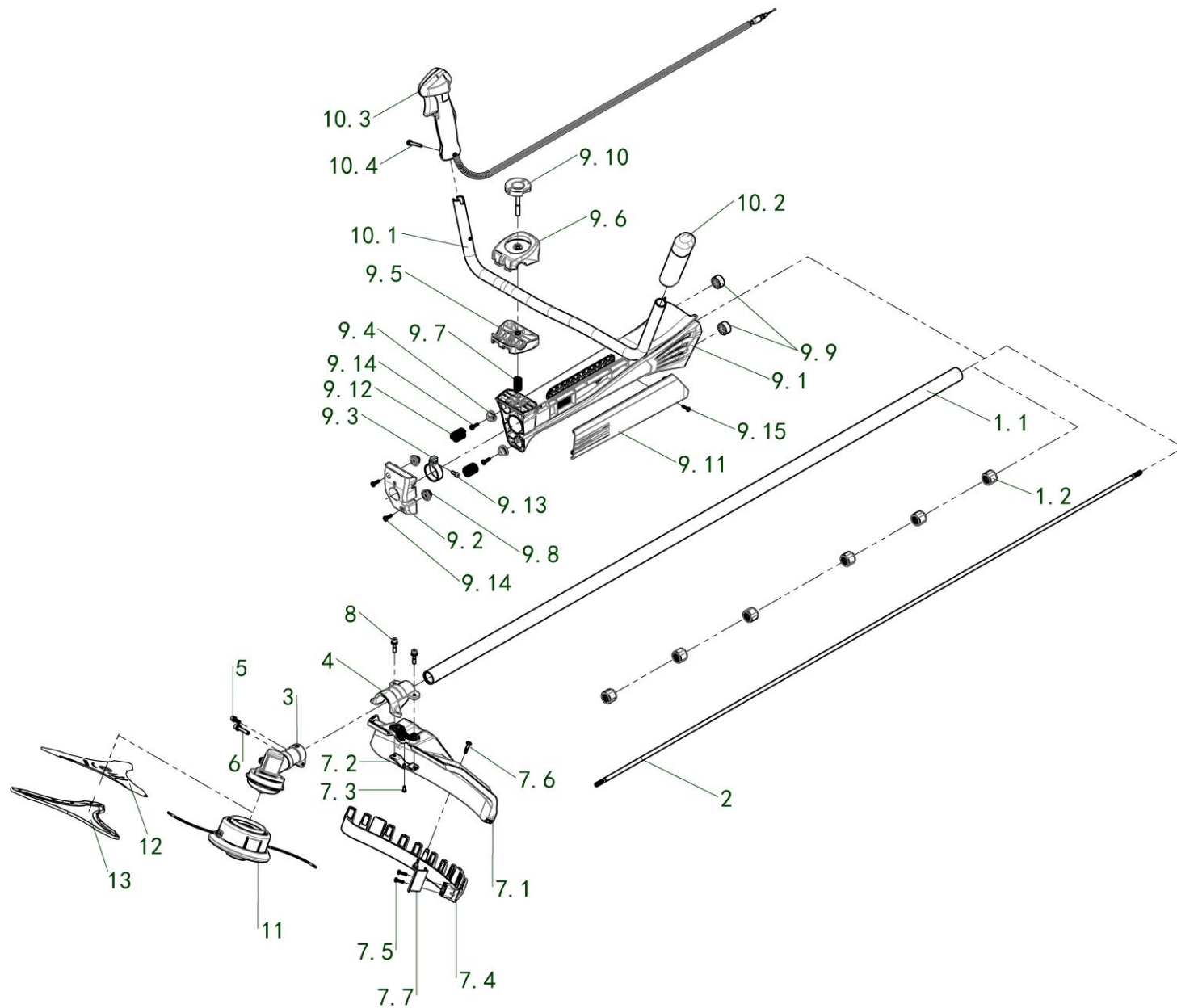
FIG 1 A & B



DELAR TILL FIG 1 A & B

Pos	Art.	Varunamn	Item name	OE	Antal / quantity
5	N/A	Kopplingshus, Komplet	Output base assy	80100465-01	1
5.1	N/A		Output base	80200503-01	1
5.2	N/A		Bearing 6202	80700205-05	2
5.3	N/A		Double bearing catch plate	80200504-01	1
5.4	N/A		Φ 15 checking ring	80700216-02	1
5.5	N/A		Φ 35 checking ring	80700126-07	1
5.6 – 5.7	N/A		Rubber / connecting cover	80100163-01	1
5.8	N/A		Φ 45 checking ring	80700126-09	1
60	9067429	Rekylstart, komplet	Starter, assy	80100462-02	1
60.1	N/A		Starter main cover	80300429-02	1
60.2	N/A		Starter guard rope	340700124	1
60.3 – 60.4	N/A		Starter grip & cover	80302676-01	1
60.5	N/A		Starter inner plate	T.BCS45.01-2	1
60.6	N/A		Starter coil spring	T.BCE33B.03-8	1
60.7	N/A		Starting rope	T.BCE52T.12-6	1
60.8	N/A		Starter rope pulley	80301990-01	1
60.9	N/A		Starting torsion spring	80201354-01	1
60.10	N/A		Starter pulley	80301457-01	1
60.11	N/A		Flat washer	T.BCD43.03-8	1
60.12	N/A		M5x12 screw	GB/T 818	1

FIG 2



DELAR TILL FIG 2

Pos	Art.	Varunamn	Item name	OE	Antal / quantity
1	9067432	Axel, aluminium Φ 28x1500 mm, komplett	Aluminium shaft Φ 28x1500, assy	80100022-10	1
1.1	N/A		Aluminium shaft Φ 28x1500	80200006-08	1
1.2	N/A		Oil-retaining bearing and cover	80200102-01	6
2	9067433	Inner-axel Φ 8x1540	Hardness axes Φ 8x1540	80200546-07	1
3	9067434	Växellåda	Gear case	80100715-01	1
4	9070896		Protection guard fixed plate	T.BCE43B-24	1
5	9051169	M5x16 skruv	M5x16 screw	80700026-09	1
6	9050222	M6x30 skruv	M6x30 screw	80700048-10	1
7	9067435	Skyddsskärm, komplett	Protection guard, assy	80100001-07	1
7.1	N/A		Protection guard	80300052-01	1
7.2	N/A		Protection guard under cover	80200054-01	1
7.3	N/A		ST4,2x10-H-F screw	80700075-01	1
7.4	N/A		Guard blade holder	80300053-01	1
7.5	N/A		ST4,2x16-H-F screw	80700075-06	2
7.6	N/A		ST4,8x20-H-F screw	80700079-03	1
7.7	N/A		Nylon line cutting blade	80200131-01	1
8	9070897	M6x25 skruv	M6x25 hex screw	GB/T 70.1	4
9	9067436	Handtag, komplett	Anti-vibration handle, assy	60200053-03	1
9.1	N/A		Anti-vibration handle	80300434-03	1
9.2	N/A		Aluminium fixing seat	80300435-01	1
9.3	N/A		Fixing circle	80200152-01	1
9.4	N/A		Spring fixing seat A	80300436-01	2
9.5	N/A		Handle bar fixing under block	80200505-01	1
9.6	N/A		Handle bar fixing upper block	T.BCS45-24	1
9.7	N/A		Knob spring	T.BCS45.09-7	1
9.8	N/A		Spring fixing seat B	T.BCS45.09-5	2
9.9	N/A		Anit-vibration rubber	T.BCS45-22	2
9.10	N/A		Knob assy	T.BCS45.10	1
9.11	N/A		Anti-vibration handle plate	T.BCS45-21	1
9.12	N/A		Spring	T.BCS45.09-6	2
9.13	N/A		M5x12 skruv	GB/T 70.1	1

Kontakt
Tel. order: 010-2097050
Tel. teknisk support: 010-2097050

P. Lindberg
Myrängatan 4
745 37 Enköping

RES 9066522 SV V2
www.p-lindberg.se
e-mail: order@p-lindberg.se

Pos	Art.	Varunamn	Item name	OE	Antal / quantity
9.14	N/A		ST4,8x16-H-C screw	GB/T 845	4
9.15	N/A		ST4,2x16-H-C screw	GB/T 845	1
10	9070898	Styre, komplett	Handle tube, assy		1
10.1	N/A		Handle tube	T.BCB52.04-1	1
10.2	N/A		Left handle (without tube)	T.BCB52.04-5	1
10.3	N/A		Right handle (with cable)	T.BCB52.04.3	1
10.4	N/A		M5x35 screw	GB/T 9074.3	1
11	9067437	Trimmerhuvud med tråd	Nylon head	T.BCB33.14B	1
12	9070899	Röjsågsklinga, 3 tänder	3T blade	5003,33303	1
13	N/A	Skydd för klinga	3T blade cover	5003,34122	1