

HAVE & PARK



JORDBOR

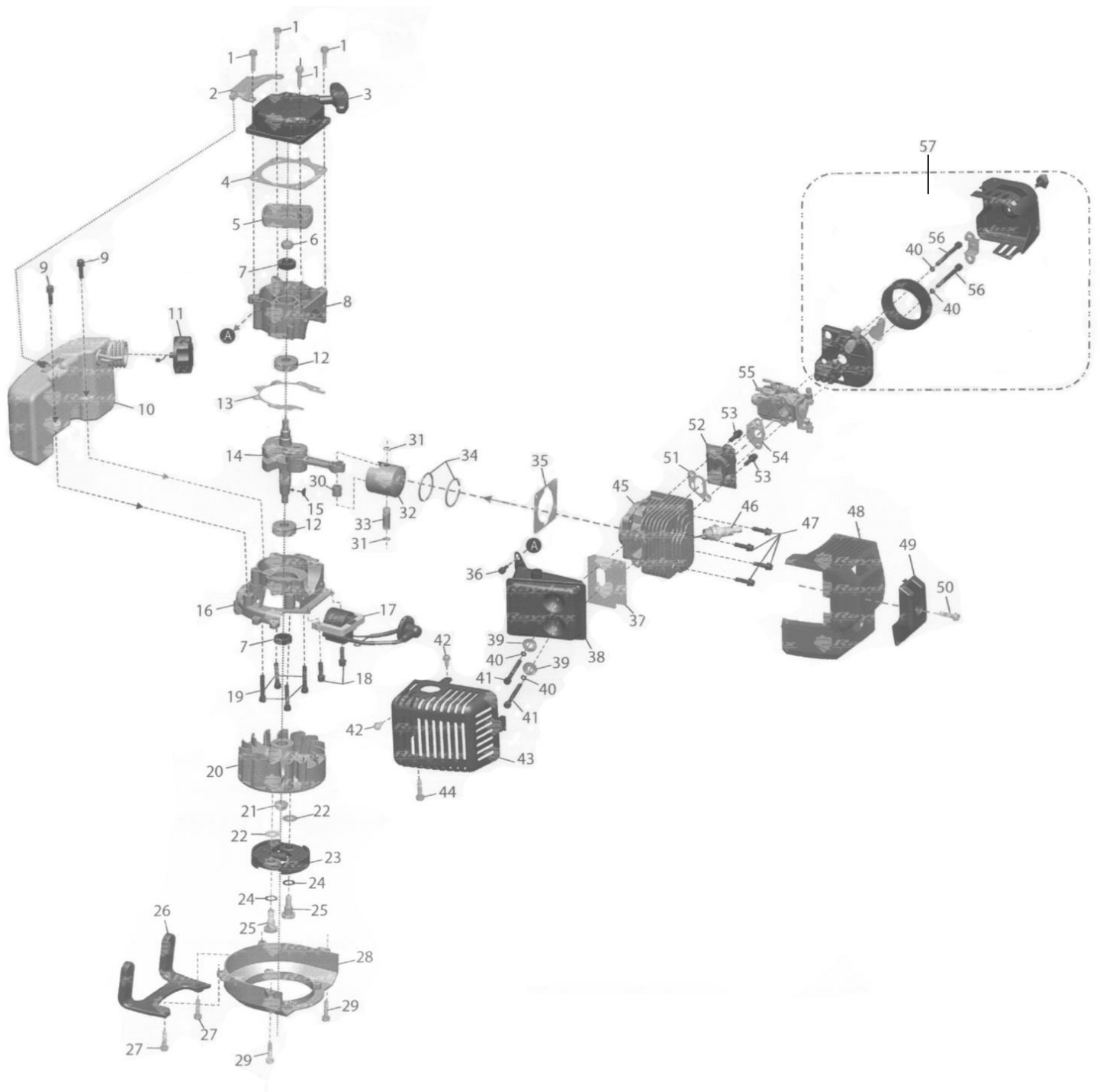
BENZINDREVET, 52CC

Reservedelskatalog til
9057614 (motor)



17.10.2018 (V1)
revideret 31.03.2023 V5

FIGUR 1



DELE TIL FIGUR 1

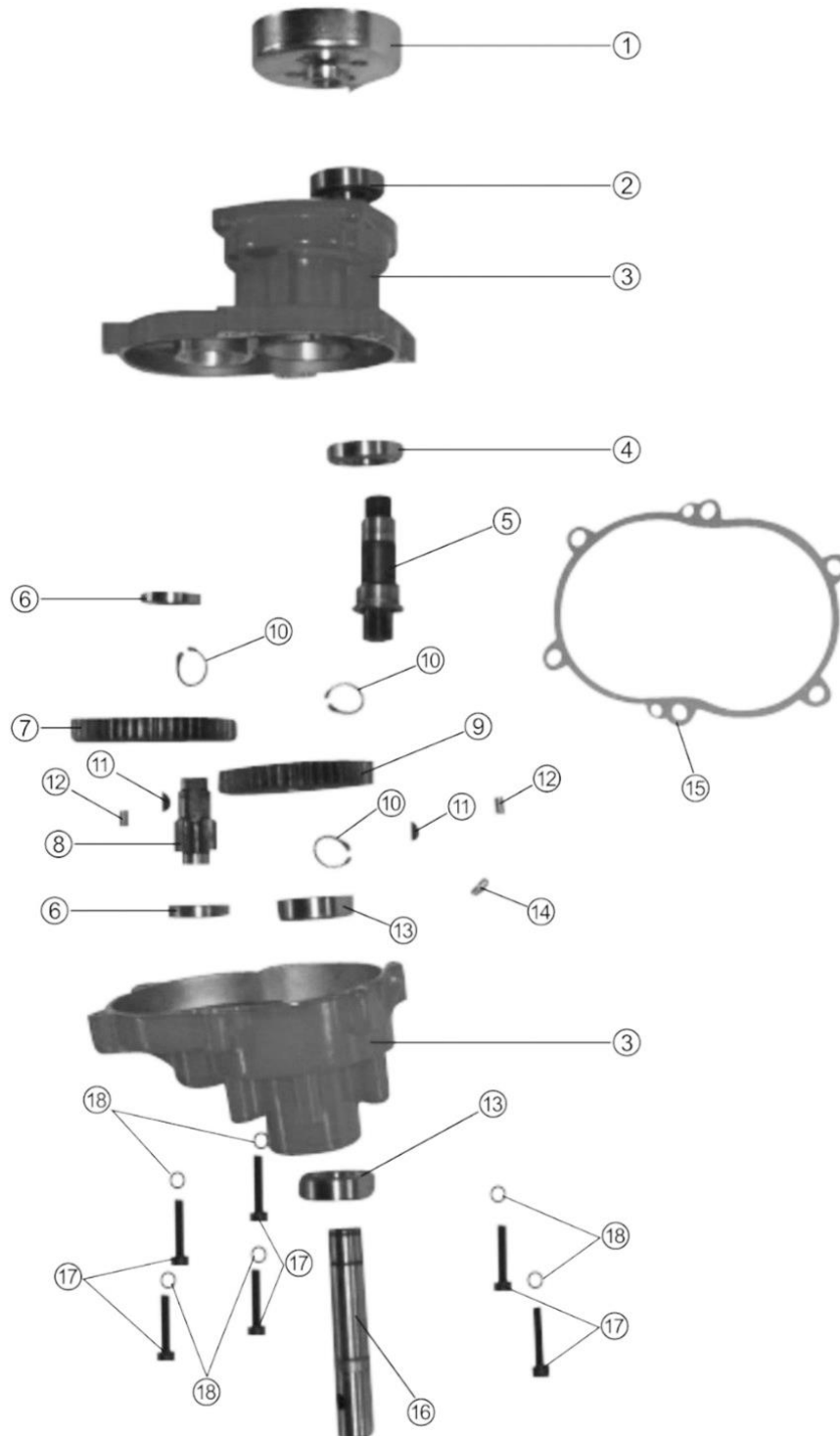
| Pos | Varenr / item no | Varenavn | Item name | Antal / qty |
|------|------------------|-------------------------------|--|-------------|
| 1 | N/A | Bolt, M5x25 | Bolt, M5x25 (hex) | 4 |
| 2 | N/A | Beslag til benzintank | Bracket, fuel tank | 1 |
| 3 | 9043263 | Rekylstart (2020 >)* | Pull start | 1 |
| 4 | N/A | Pakning | Gasket, pull start | 1 |
| 5 | 9015958 | Medbringer (alu)* | Center plate | 1 |
| 6 | 9050207 | Møtrik M8 | Nut, M8 | 1 |
| 7 | N/A | Pakdåse, 12x22x7 | Oil seal, $\phi 12 \times \phi 22 \times 7$ | 1 |
| 8 | N/A | Krumtaphus, bag | Crank case rear | 1 |
| 9 | N/A | Bolt, M5x25 | Bolt, M5x25 (hex) | 2 |
| 10 | 9059363 | Benzintank | Fuel tank | 1 |
| 10-1 | 9067459 | Benzinslangesæt, $\phi 18$ mm | Fuel hose | 1 |
| 11 | 9067569 | Benzindæksel | Cap, fuel tank | 1 |
| 12 | N/A | Leje | Bearing, P6/6201 | 1 |
| 13 | N/A | Pakning | Gasket, crank case | 1 |
| 14 | N/A | Krumtapaksel | Crankshaft | 1 |
| 15 | 9067570 | Kile, 3x12 | Semi key, 3x12 | 1 |
| 16 | N/A | Krumtaphus, front | Crank case, front | 1 |
| 17 | 9039758 | Tændspole | Ignition coil | 1 |
| 18 | N/A | Bolt, M5x20 | Boit, M5x20 (hex) | 2 |
| 19 | N/A | Bolt, M5x30 | Boit, M5x30 (hex) | 4 |
| 20 | 9067571 | Svinghjul | Fly wheel | 1 |
| 21 | 9050207 | Møtrik M8 | Nut, M8 | 1 |
| 22 | N/A | Krave / dæmper | Plain cushion, M8x18 | 2 |
| 23 | 9015986 | Kobling | Clutch | 1 |
| 24 | N/A | Pakning | Wave pattem gasket | 2 |
| 25 | N/A | Bolt, M8x25 | Bolt M8x25, clutch | 2 |
| 26 | N/A | Beslag | Bracket, fuel tank | 1 |
| 27 | N/A | Bolt, M5x25 | Bolt, M5x25 (cross) | 2 |
| 28 | N/A | Remskærm | Cover, fly wheel | 1 |
| 29 | N/A | Bolt, M5x20 | Bolt, M5x20 (cross) | 2 |
| 30 | N/A | Nåleleje 9x12x12 | Needle bearing, $\phi 9 \times 12 \times 12$ | 1 |
| 31 | N/A | Clip for krydspind | Clip, piston pin | 2 |
| 32 | N/A | Stempel | Piston | 1 |
| 33 | N/A | Krydspind | Piston pin | 1 |
| 34 | N/A | Stempelring | Piston ring | 2 |
| 35 | N/A | Cylinderpakning | Gasket, cylinder | 1 |
| 36 | N/A | Bolt, M5x12 | Bolt, M5x12 (hex) | 1 |
| 37 | 9051163 | Pakning for lyddæmper stor | Gasket, muffler | 1 |
| 37-1 | 9016409 | Pakning for lyddæmper lille | | |
| 38 | 9015963 | Lyddæmper | Muffler | 1 |
| 39 | N/A | Krave / bøsning, $\phi 6$ | Plain cushion, $\phi 6$ | 2 |
| 40 | N/A | Fjederbøsning, $\phi 6$ | Spring lock cushion, $\phi 6$ | 4 |
| 41 | N/A | Bolt, M6x55 | Bolt, M6x55 (hex) | 2 |
| 42 | N/A | Bolt, M5x16 | Bolt, M5x16 (cross) | 1 |
| 43 | 9015969 | Skærm for lyddæmper | Plastic cover, muffler | 1 |

| Pos | Varenr / item no | Varenavn | Item name | Antal / qty |
|-------|------------------|----------------------------------|-------------------------|-------------|
| 44 | N/A | Bolt, M5x20 | Bolt, M5x20 (cross) | 1 |
| 45 | N/A | Cylinder | Cylinder | 1 |
| 46 | 9042472 | Tændrør | Spark plug (BM6A) | 1 |
| 47 | N/A | Bolt, M5 x20 | Bolt, M5x20 (hex) | 4 |
| 48-49 | 9015965 | Blæserskjold / skærm | Plastic cover | 1 |
| 50 | N/A | Bolt, M5x20 | Bolt, M5x20 (hex) | 1 |
| 51 | 9027221 | Indsugningspakning | Gasket intake manifold | 1 |
| 52 | 9035484 | Indsugningsstuds | Intake manifold | 1 |
| 53 | N/A | Bolt, M5x25 | Bolt, M5x25 (hex) | 1 |
| 54 | 9016157 | Pakning for karburator | Gasket, carburetor | 2 |
| 55 | 9051166 | Karburator | Carburetor | 1 |
| 56 | N/A | Bolt, M5x55 | Bolt, M5x55 (hex) | 1 |
| 57 | 9051168 | Luftfilter, komplet | Air filter assy | 2 |
| 57-1 | 9015997 | Luftfilterindsats (skumgummi) | Air filter liner (foam) | 1 |
| 57-2 | 9015971 | Fingerskrue | Screw | 1 |

**Rekylstart: Er din maskine fra før 2020, skal du bruge en rekylstart med varenr 9035485*

**Medbringer (stål): Er din maskine fra før 2020, skal du bruge en medbringer med varenr 9035486*

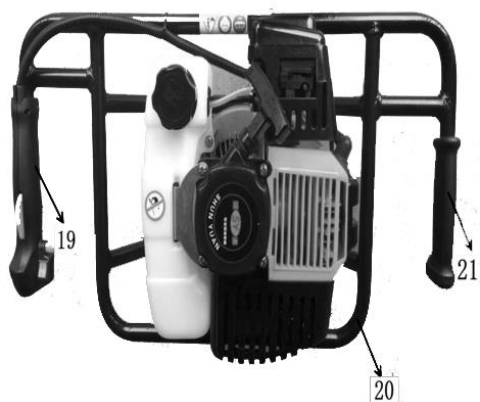
FIGUR 2



DELE TIL FIGUR 2

| Pos | Varenr / item no | Varenavn | Item name | Antal / qty |
|-----|------------------|--|---|-------------|
| 1 | N/A | | Passive disc | 1 |
| 2 | N/A | Leje, R12 | Bearing, R12 | 1 |
| 3 | 9058558 | Gearkasse hus | Vertical box | 1 |
| 4 | N/A | Leje, 6905-2RS | Bearing, 6905-2RS | 1 |
| 5 | 9058559 | Indgangsaksel, 7 tænder | Spline shaft, 7T | 1 |
| 6 | N/A | Leje, R10 | Bearing, R10 | 2 |
| 7 | 9058560 | Gearhjul, stort | Big flat gear | 1 |
| 8-9 | 9058565 | Mellemaksel, 10 tænder inkl udgangstandhjul | Spline shaft, 10T, with small flat gear | 1 |
| 10 | N/A | Låsering | Jump ring, ϕ 19 | 3 |
| 11 | N/A | Firkantet kile, 6x6 | Square key, 6x6 | 2 |
| 12 | N/A | Pin 6x10 | Locating pin, 6x10 | 2 |
| 13 | 9038550 | Leje, 6004-2RS | Bearing, 6004-2RS | 2 |
| 14 | N/A | Fedtnippel | Grease nipple | 1 |
| 15 | 9058566 | Pakning | Box paper pad | 1 |
| 16 | 9058567 | Udgangsaksel | Output shaft | 1 |
| 17 | 9050222 | Bolt, M6x30 | Bolt, M6x30 | 6 |
| 18 | N/A | Skive | Spring pad, ϕ 6 | 6 |
| - | 9058557 | Gearkasse, komplet | Gearbox assy | 1 |

FIGUR 3



DELE TIL FIGUR 3

| Pos | Varenr / item no | Varenavn | Item name | Antal / qty |
|-----|------------------|--------------------------|-------------------|-------------|
| 19 | N/A | Kontakt | Switch | 1 |
| 20 | 9059089 | Ramme inkl plast håndtag | Holder | 1 |
| 21 | N/A | Plast håndtag | Handle | 1 |
| - | 9059090 | Gashåndtag, komplet | Speed handle assy | 1 |

Vi forbeholder os ret til uden foregående varsel at ændre de tekniske parametre og specifikationer for dette produkt