

**LINHAI 550 ATV - 9054033 & 9054034**

Reservedele  
Spareparts



**P.Lindberg**



## INDHOLDSFORTEGNELSE / INDEX

- Fig 1: Styr / handlebar  
Fig 2: Brændstoftank / fuel tank  
Fig 3: Brændstoftank / fuel tank (ny model / new model)  
Fig 4: Ophæng, bag / rear fenders  
Fig 5: Stel, forrest / front body and frame  
Fig 6: Støddæmper, front / shock absorber, front  
Fig 7: Bærear, bag / rear arm  
Fig 8: Forhjul / front wheel  
Fig 9: Baghjul / rear wheel  
Fig 10: Skiftestang / shift rod  
Fig 11: Gearkasse, front og bag / front and rear gearbox  
Fig 12: Venstre drivaksel, front (4WD) / front left drive axle (4WD)  
Fig 13: Højre drivaksel, front (4WD) / front right drive axle (4WD)  
Fig 14: Venstre drivaksel, bag (XL) / rear left drive axle (XL)  
Fig 15: Højre drivaksel, bag (XL) / rear right drive axle (XL)  
Fig 16: Spindel, front og bag / rear and front knuckle assy  
Fig 17: Spindel, front og bag / front and rear knuckle assy  
Fig 18: XL spindel, front og bag / XL front and rear knuckle assy  
Fig 19: Ratstamme / steering column  
Fig 20: Elektrisk system / electrical system  
Fig 21: Bremsesystem / brake system  
Fig 22: Bremsekaliber, højre - front & bag / brake caliper, right - front & rear  
Fig 23: Bremsekaliber, venstre - front & bag / brake caliper, left - front & rear  
Fig 24: Parkeringsbremse / auxiliary brake  
Fig 25: Brems pedal / pedal brake  
Fig 26: Kofanger og stel / bumper and rack  
Fig 27: Motor / engine  
Fig 28: Gearkasse, front / gearbox, front  
Fig 29: Gearkasse, bag / gearbox, rear  
Fig 30: Hovedcylinder / head cylinder cover  
Fig 31: Hovedcylinder / cylinder head  
Fig 32: Knastaksel / camshaft  
Fig 33: Cylinder / cylinder  
Fig 34: Krumtapaksel / crankshaft  
Fig 35: Krumtapaksel (ny model) / crankshaft (new model)  
Fig 36: Venstre krumtaphus / left crankcase  
Fig 37: Højre krumtaphus / right crankcase  
Fig 38: CVT hus / CVT housing  
Fig 39: CVT cover / CVT cover  
Fig 40: Venstre krumtaphus cover / left crankcase cover  
Fig 41: Venstre krumtaphus cover, ny / left crankcase cover, new  
Fig 42: Generator / generator  
Fig 43: Starter (elektrisk) / electric starter  
Fig 44: Kobling / clutch  
Fig 45: Transmission I / transmission I  
Fig 46: Transmission II / transmission II  
Fig 47: Transmission III / transmission III  
Fig 48: Oliepumpe / oil pump  
Fig 49: Vandpumpe / water pump  
Fig 50: Cover, venstre side / left side cover  
Fig 51: Cover, venstre side, ny / left side cover, new  
Fig 52: Brændstof indsprøjtning / fuel injection assy  
Fig 53: Oliekøler / oil radiator  
Fig 54: Oliekøler, ny / oil radiator, new  
Fig 55: CVT luftkøler / CVT air shroud  
Fig 56: Luftfilter / air cleaner  
Fig 57: Udstødning / exhaust  
Fig 58: Køler / radiator  
Fig 59: Værktøj / tool

Fig. 1: Styr / handlebar

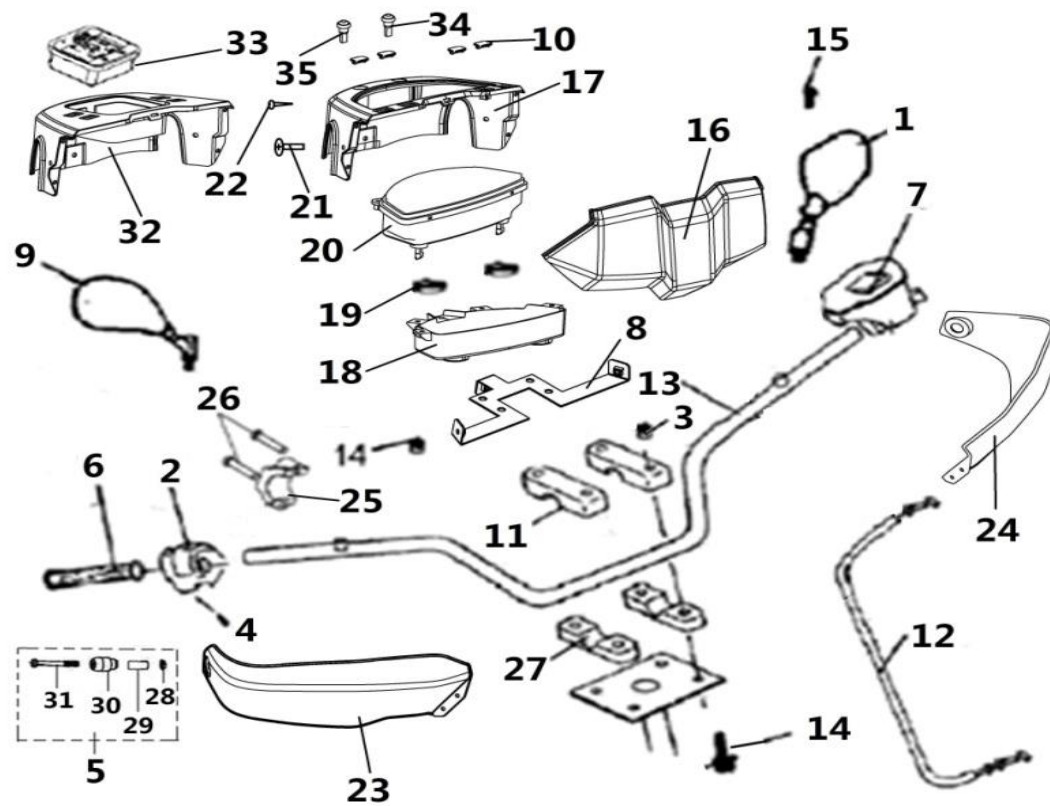


Fig. 1: Styr / handlebar

Ref. no.	PL nr / art. no.	Varenavn	Art. name	OE no.	Antal / pcs
1	N/A	Bakspejl, venstre	Rear view mirror, left	36101	1
2	9057109	Gasregulering (m/2WD/4WD kontakt)	Throttle control (w/2WD/4WD switch)	35072	1
3	9050207	Møtrik, M8	Nut, M8	10079	9
4	9034773	Bolt, M6x12	Bolt, M6x12	10140B	1
5	9054232	Endestykke for styr	Handlebar end, assy	72037	2
6	N/A	Håndtag	Grip	35727	2
7	9057111	Kontakt, komplet	Switch, assy	35090	1
8	N/A	Beslag t/speedometer	Bracket, speedometer	36020	1
9	N/A	Bakspejl, højre	Rear view mirror, right	36103	1
10	9057112	Cover f/speedometer	Cover cap f/speedometer	25010	4
11	9057113	Clamp t/styr	Clamp, handlebar	20112a	2
12	9057114	Gaskabel	Throttle cable	35073	1
13	N/A	Styr	Handlebar	36099	1
14	N/A	Bolt, M8x72	Bolt, M8x72	10531	4
15	9049325	Skrue, M6x12	Screw, M6x12	25013	2
16	N/A	Cover, front speedometer	Front speedometer cover	36116	1
17	N/A	Cover, bag speedometer	Rear speedometer cover	36117	1
18	N/A	Styr cover, højre	Handlebar cover, right	36115	1
19	N/A	Gummiskive	Gummiskive	22351	2
20	N/A	LCD speedometer, EFI	LCD speedometer, EFI	36128e	1
21	9039399	Skrue, M6x16	Screw, M6x16	10420	12
22	N/A	Skrue, ST4,8x12	Screw, ST4.8x12	10520	4
23	N/A	Cover t/styr, højre	Handlebar cover, right	36109	1
24	N/A	Cover t/styr, venstre	Handlebar cover, left	36108	1
25	9045066	Overfald f/spejlbeslag	Down holder, rear view mirror	25526	1
26	9034722	Bolt. M6x20 (inaktiv)	Bolt, M6x20	10008	2
27	9057117	Overfald/clamp t/styr	Handlebar, down clamp	70703	2
28	N/A	Møtrik, M6	Nut, M6	10913	2
29	N/A	Spændeblok	Tensioning block	72035	2
30	N/A	Afbalanceringsvægt	Balance weight	72036	2
31	N/A	Skrue, M6x70	Screw, M6x70	10940	2
32	N/A	Instrument cover, lille	Small instrument cover	36114	1
33	N/A	LCD speedometer	LCD speedometer	35089e	1
34	N/A	Nøgle funktion	Key function	73329	
35	N/A	2-nøgle funktion	2-key function	36153	
36	N/A	Beslag, styr cover - venstre	Bracket, handlebar cover - left	36157	1
37	N/A	Beslag, styr cover - højre	Bracket, handlebar cover - right	36158	1
38	N/A	Nitte	Hollow rivet	10973	4

Fig. 2: Brændstoftank / fuel tank

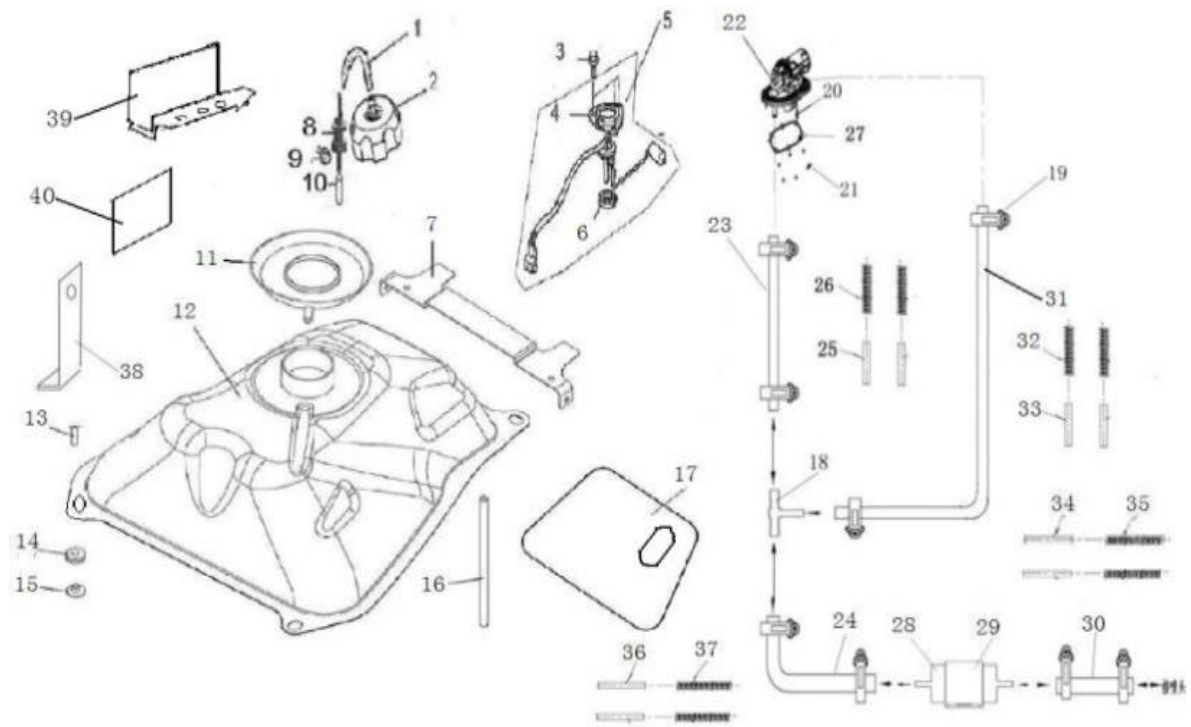


Fig. 2: Brændstoftank / fuel tank

Ref. no.	PL nr / art. no.	Varenavn	Art. name	OE no.	Antal / pcs
1	N/A	Oliespild rør	Tube, fuel cap breather	28095	1
2	9030701	Tankdæksel	Fuel cap	70725	1
3	9050220	Bolt, M6x16	Bolt, M6x16	10183	4
4	N/A	Plade	Plate, unit set	35085	1
5	9057440	Brændstof unit	Fuel unit set, assy	36134	1
6	9057118	Pakning, base	Gasket, base	35086	1
7	N/A	Beslag f/sæde	Mounting bracket, seat	36023	1
8	N/A	Ventil t/brændstoftank	Valve, fuel tank	25307	1
9	N/A	Bolt, M5x10	Bolt, M5x10	10820	1
10	N/A	Slange	Tube	70734	1
11	N/A	Oliespild bakke	Oil spill	36078	1
12	9057441	Brændstoftank	Fuel tank	36061	1
13	9034625	Bolt, M6x20	Bolt, M6x20	10110	4
14	N/A	Muffe t/brændstoftank	Fuel tank buffer sleeve	36064	4
15	N/A	Muffe t/brændstoftank	Fuel tank buffer sleeve	36065	4
16	N/A	Ventilationsrør	Vent pipe	35501	1
17	N/A	Tankisolering, film	Fuel tank, insulating film	36063	1
18	9049279	Tee stykke	3-way tee	70852	1
19	N/A	Spændebånd, 8/14	Hose clamps, 8/14	71658	8
20	N/A	Skrue, M5x16	Screw, M5x16	10201	6
21	N/A	Krave, oliepumpe	Collar, oil pump	71646	6
22	9049545	Beslag f/benzinpumpe	Valve, fuel tank	71428	1
23	N/A	Udløbsrør, oliepumpe	Oil pump outlet pipe	36067	1
24	N/A	Forbindelsesslange, 1	Connecting tubing 1	36068	1
25	N/A	Olierør, isolerende film	Oil pipe insulation film	36071	1
26	N/A	Olierør, beskyttende muffe	Oil pipe protective sleeve	36075	1
27	N/A	Buffer, tankdæksel	Cushion, fuel tank cap	71647	1
28	9042723	Brændstoffilter	Fuel filter	70842	1
29	N/A	Brændstoffilter	Fuel filter installation	70845	1
30	N/A	Forbindelsesslange, 2	Connecting tubing 2	36069	1
31	N/A	Returrør, oliepumpe	Oil pump return pipe	36066	1
32	N/A	Returrør, oliepumpe - beskyttende muffe	Return oil pipe protective sleeve	36074	1
33	N/A	Returrør, oliepumpe - isolerende film	Return oil pipe insulation film	36070	1
34	N/A	Forbindelsesrør 2, isolerende film	Connecting pipe 2 insulation film	36073	1
35	N/A	Forbindelsesrør 2, beskyttende muffe	Connecting pipe 2 protection sleeve	36077	1
36	N/A	Forbindelsesrør 1, isolerende film	Connecting pipe 1 insulation film	36072	1
37	N/A	Forbindelsesrør 1, beskyttende muffe	Connecting pipe 1 protection sleeve	36076	1
38	N/A	Indsats t/filterbeslag	Filter mounting insert	36142	1
39	N/A	Beskyttelsesplade t/oliepumpe	Oil pump protection plate	36152	2
40	N/A	Isolerende film t/beskyttelsesplade	Oil pump protective plate heat insulation	36019	2

Fig. 3: Brændstoftank / fuel tank (ny model / new model)

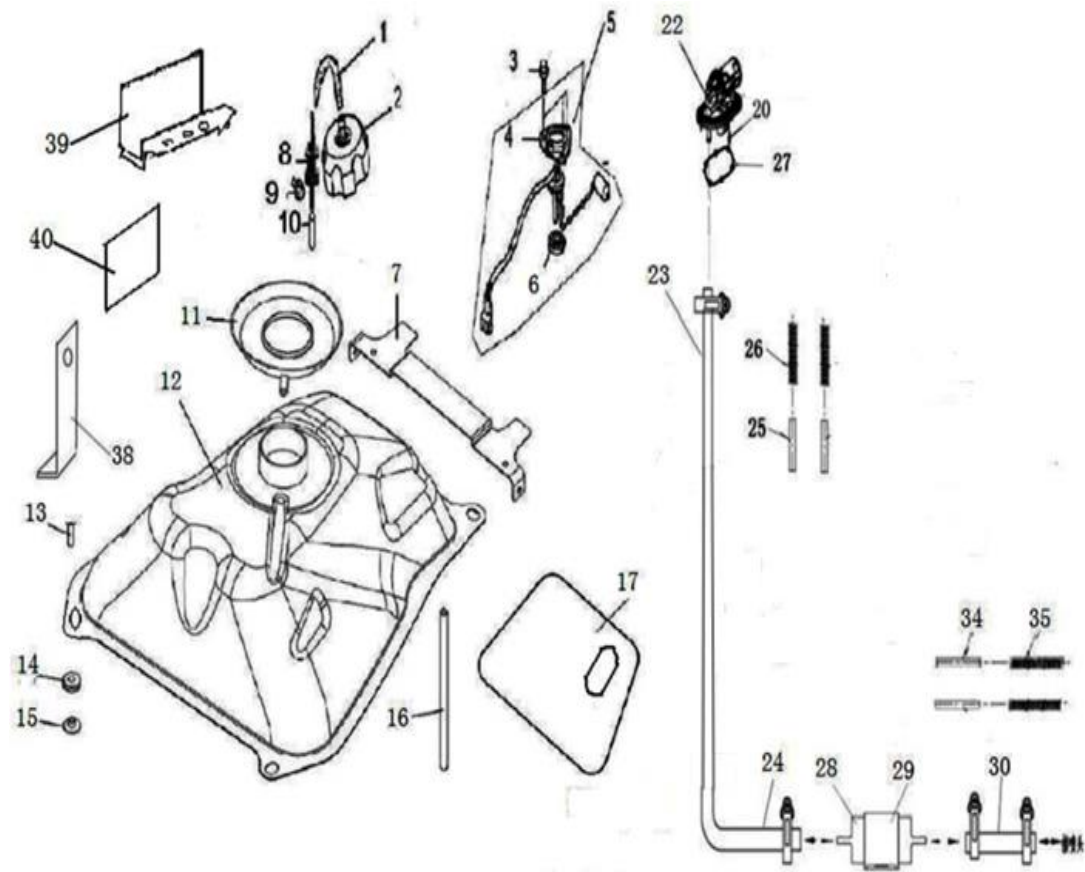




Fig. 3: Brændstoftank / fuel tank (ny model / new model)

Ref. no.	PL nr / art. no.	Varenavn	Art. name	OE no.	Antal / pcs
12	N/A	Brændstoftank	Fuel tank	36061a	1
20	N/A	Skrue, M5x16	Screw, M5x16	10983	6
22	9049545	Beslag f/benzinpumpe	Valve, fuel tank	36177	1
23	N/A	Udløbsrør, oliepumpe	Oil pump outlet pipe	36178	1
25	N/A	Olierør, isolerende film	Oil pipe insulation film	36179	1
26	N/A	Olierør, beskyttende muffe	Oil pipe protective sleeve	36180	1
27	N/A	Buffer, tankdæksel	Cushion, fuel tank cap	36181	1

Fig 4: Ophæng, bag / rear fenders

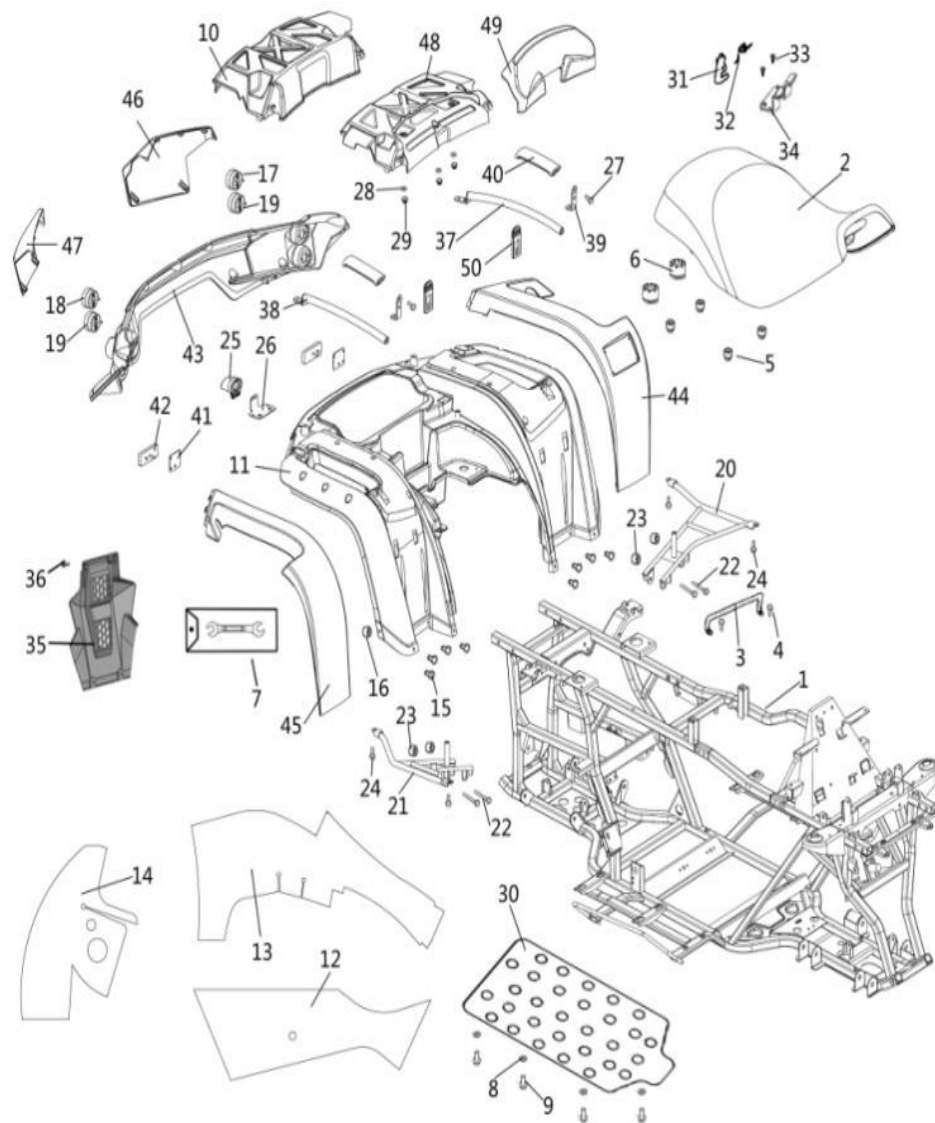


Fig. 4: Ophæng, bag / rear fenders

Ref. no.	PL nr / art. no.	Varenavn	Art. name	OE no.	Antal / pcs
1	N/A	Bagtøj - stel, komplet	Frame welding assembly	36016	1
2	9057442	Sæde	Seat	36079	1
3	N/A	Lås	Latch assembly	36081	1
4	9034625	Skrue, M6x20	Screw, M6x20	10110	2
5	9030711	Gummidupper 1, forrest	Rubber, seat setting 1	25042	4
6	9039611	Gummidupper 2, bagerst	Rubber, seat setting2	70445	2
7	N/A	Værktøj	Tool	25044	1
8	N/A	Skive	Washer	20331	8
9	N/A	Bolt, M6x18	Bolt, M6x18	10191	8
10	N/A	Låg t/værktøjskasse	Toolbox cap	36042	1
11	9057444	Bagskjold	Rear fender	36036	1
12	N/A	Isolerende film t/højre fodhviler	Insulating film f/footrest, right	36044	1
13	N/A	Isolerende film 1 t/stænskærm	Insulating film f/mud board 1	36045	1
14	N/A	Isolerende film 2 t/stænskærm	Insulating film f/mud board 2	36046	1
15	9039399	Skrue, M6x16	Screw, M6x16	10420	12
16	9050206	Møtrik, M6	Nut, M6	10103	12
17	9057445	Kørellys, venstre - bag	Indication light, left rear	36125	1
18	9057446	Kørellys, højre - bag	Indication light, right rear	36127	1
19	9057447	Baglys	Taillight	36132	1
20	9057448	Fodstøtte, venstre	Trestle, left	36086	1
21	9057449	Fodstøtte, højre	Trestle, right	36087	1
22	N/A	Bolt, M8x70	Bolt, M8x70	25056	4
23	9050207	Møtrik, M8	Nut, M8	10067	4
24	9050220	Bolt, M6x16	Bolt, M6x16	10183	4
25	N/A	Nummerpladelys	License plate lamp	36131	
26	N/A	Beslag t/nummerpladelys	License plate lamp mounting plate	36133	
27	9034420 (inaktiv)	Bolt, M6x12	Bolt, M6x12	10140	2
28	9034221 (inaktiv)	Skive	Washer	10006	2
29	9050206	Møtrik, M6	Nut, M6	10004	2
30	9057128	Plastic plade	Plastic plate	35497	1

31	9049268	Låsekrog	Hook bracket, seat lock	70788	1
32	9049217	Fjeder f/låsekrog	Spring	70802	1
33	N/A	Skrue, ST4,2x13	Screw, ST4,2x13	10178	25
34	N/A	Buffer plade	Cushion plate	70809	1
35	N/A	Dekoration, bag	Rear decoration cover	35498	1
36	9034773	Bolt, M6x12	Bolt, M6x12	10140	4
37	N/A	Arm, venstre rør	Left rear arm assembly	36088	1
38	N/A	Arm, højre rør	Right rear arm tube assembly	36089	1
39	N/A	Forbindelsesstykke, rør (arm)	Connecting plate of arm tube	36090	2
40	N/A	Gummimuffe t/arm	Arm rubber sleeve	36083	2
41	N/A	Beslag t/refleks	Rear reflector mounting plate	36018	2
42	9049284	Bag refleks, rød	Rear reflector	40319	2
43	N/A	Stel t/lys - bag	Rear light frame	36041	1
44	9057450	Venstre bagcover, 1	Rear left trim cover 1	36037	1
45	9057451	Højre bagcover, 1	Rear right trim cover 1	36038	1
46	9057452	Venstre bagcover, 2	Rear left trim cover 2	36039	1
47	9057453	Højre bagcover, 2	Rear right trim cover 2	36040	1
48	N/A	Cover t/værktøjskasse	Back tool box cover	36043	1
49	9057454	Bagstykke, kort	Short back	36080	1
50	N/A	Lås t/værktøjskasse	Toolbox lock	36082	2



Fig. 5: Stel, forrest / front body and frame

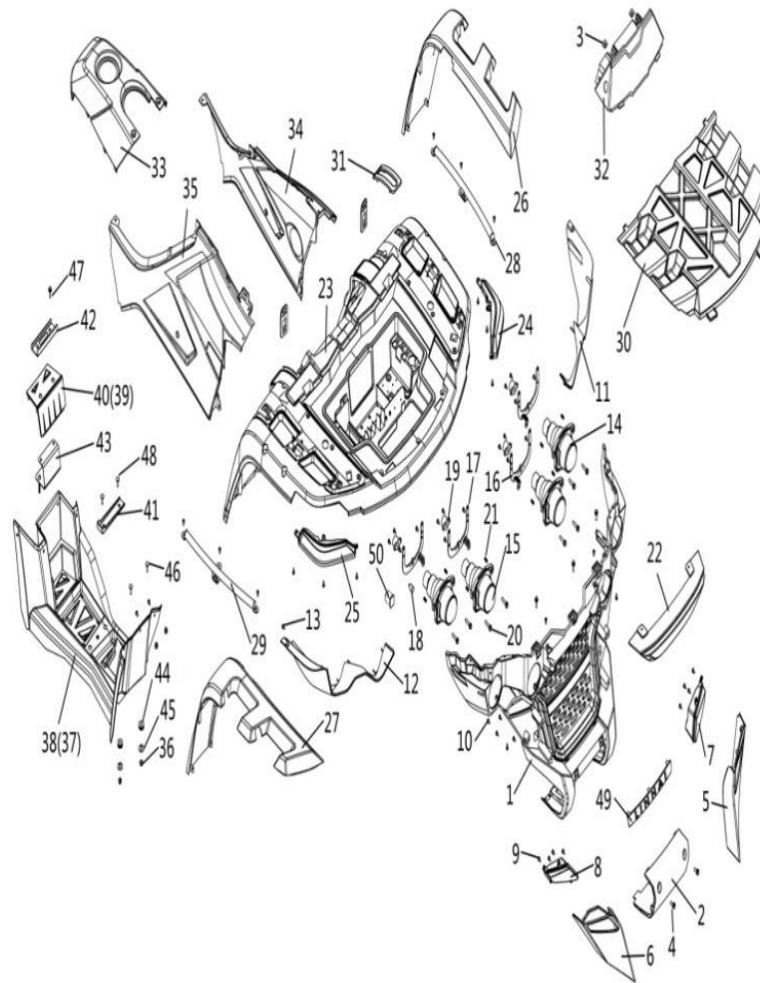


Fig. 5: Stel, forrest / front body and frame

Ref. no.	PL nr / art. no.	Varenavn	Art. name	OE no.	Antal / pcs
1	9057455	Kølgitter	Front ventilation grid	36024	1
2	N/A	Plade	Tractor cover plate	36025	1
3	9049186	Clips møtrik	Flexible mounting nut	70960	20
4	9050220	Bolt, M6x16	Bolt, M6x16	10183	13
5	9057456	Cover, venstre front - nedre	Front lower left decorative cover	36026	1
6	9057457	Cover, højre front - nedre	Front lower right decorative cover	36027	1
7	9057458	Lys, front venstre	The front left Rihang lamp	36129	1
8	9057459	Lys, front højre	The front right Rihang lamp	36130	1
9	N/A	Skrue, ST4.8X13	Screw, ST4,8x13	10178	12
10	9034550	Skrue, ST4.8X16	Screw, ST4,8x16	10009	48
11	9057460	Lysindsats, front venstre	Left front headlight frame	36028	1
12	9057461	Lysindsats, front højre	Right front headlight frame	36029	1
13	N/A	Skrue, ST4,2x13	Screw, ST4,2x13	10178	2
14	9057147	Forlys, langt lys	Headlight, high beam	27455	2
15	9057149	Kørellys / forlygte	Headlight	27456	2
16	9057462	Beslag, venstre forlygte	Left headlight bracket assembly	36058	2
17	9057463	Beslag, højre forlygte	Right headlight bracket assembly	36059	2
18	9049161	Forlygtepære, 12V 35/35W	12V headlight bulb	71927	4
19	9039436	Kugleforbindelse	Balljoint, headlight	27371	4
20	N/A	Justerbar bolt t/forlygte	Adjustment bolt, headlight	27372	8
21	N/A	Fjeder	Spring	27373	8
22	9057464	Cover, front - deco	Front decorative cover	36030	1
23	9057465	Cover, front	Front cover	36031	1
24	9057466	Kørellys, venstre front	Indication light, left front	36124	1
25	9057467	Kørellys, højre front	Indication light, right front	36126	1
26	9057468	Dæksel / cover, venstre front	Front left trim cover	36032	1
27	9057469	Dæksel / cover, højre front	Front right trim cover	36033	1
28	N/A	Cover t/venstre bærende rør	Front cover, left supporting tube assy	36091	1
29	N/A	Cover t/højre bærende rør	Front cover, right supporting tube assy	36092	1
30	N/A	Cover t/værktøjskasse, front	Front tool box cover	36034	1

31	N/A	Cover t/gearskifte	Shift gear cover plate	36110	1
32	N/A	Front cover, brændstoftank	Front cover of fuel tank	36047	1
33	9057470	Top cover, brændstoftank	Top cover of fuel tank	36048	1
34	9057471	Cover, venstre side	Side cover, left	36049	1
35	9057472	Cover, højre side	Side cover, right	36050	1
36	9050206	Møtrik, M6	Nut, M6	10004	30
37	9057473	Fodhviler, venstre - t/fører	Footrest, left	36104	1
38	9057474	Fodhviler, højre - t/fører	Footrest, right	36105	1
39	9057475	Fodstøtte, venstre - t/passager	Left auxiliary pedal	36106	1
40	9057476	Fodstøtte, højre - t/passager	Right auxiliary pedal	36107	1
41	N/A	Trin	Step	70336	2
42	N/A	Trin, kort	Step, short	36021	2
43	N/A	Fodhviler understøtning	Pedal support plate	36017	2
44	N/A	Muffe t/brændstoftank	Fuel tank buffer sleeve	36064	12
45	N/A	Muffe t/brændstoftank	Fuel tank buffer sleeve	36065	12
46	9039399	Skrue, M6x16	Screw, M6x16	10420	28
47	9034625	Bolt, M6x20	Bolt, M6x20	10110	4
48	N/A	Bolt, M6x40	Bolt, M6x40	10177	4
49	N/A	Dæksel / cover, frontpanel	Front trim panel	36035	1
50	N/A	Cover, gummi	Rubber cover	25608	6





Fig. 6: Støddæmper, front / shock absorber, front

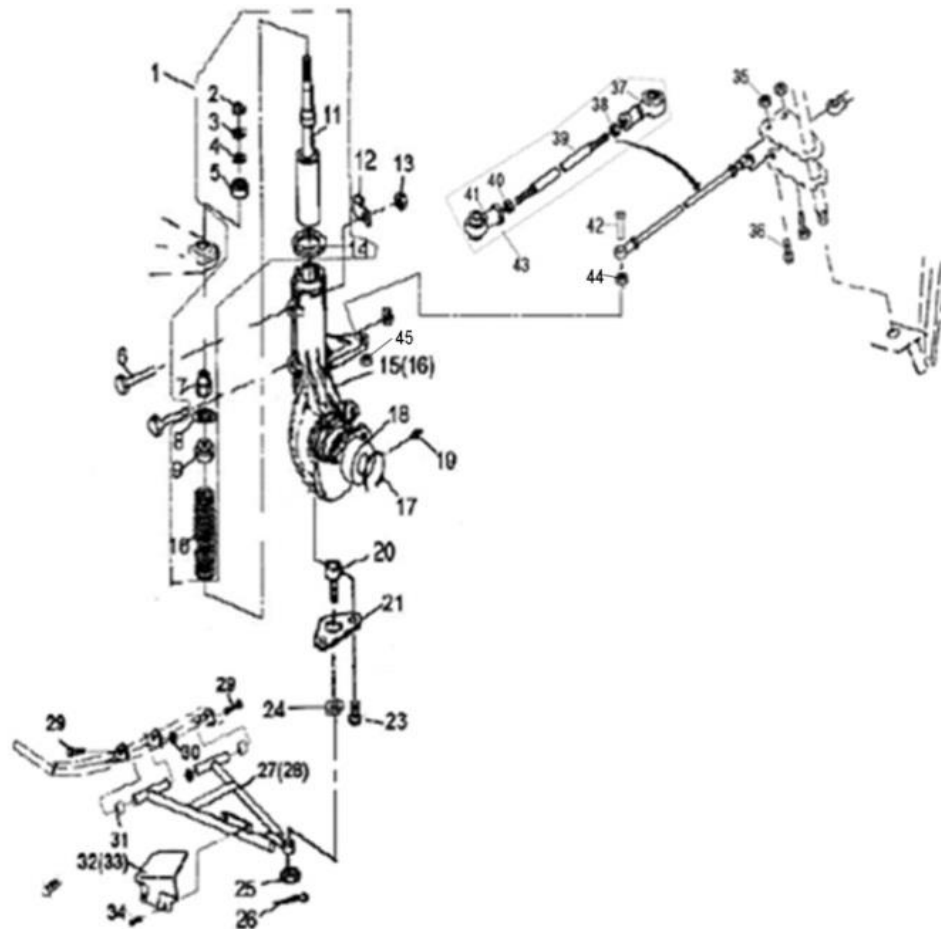


Fig. 6: Støddæmper, front / shock absorber, front

Ref. no.	PL nr / art. no.	Varenavn	Art. name	OE no.	Antal / pcs
1	9057477	Støddæmper, front - komplet	Front shock absorber, assembly	36159	2
2	9034762 (inaktiv)	Møtrik, M14x1,5	Nut, M14x1,5	10091	2
3	9034784 (inaktiv)	Skive	Washer	21802	2
4	9030444	Gummiskive	Rubber spacer	21803	2
5	9029652	Fjederbensleje, øverst	Upper pivot ball	21804	2
6	9034839 (inaktiv)	Bolt, M8x55	Bolt, M8x55	10093	4
7	9034852 (inaktiv)	Møtrik, M14x1,5	Nut, M14x1,5	21806	2
8	9029653	Fjederbensleje, nederst	Lower pivot ball	21807	2
9	9029654	Fjederskål	Spring retainer	21808	2
10	N/A	Fjeder	Spring	36160	2
11	9034745 (inaktiv)	Støddæmper, for	Strut bumper	26908	2
12	N/A	Clamp	Clamp	32104	2
13	9050207	Møtrik, M8	Nut, M8	10079	4
14	9030095	Fjederskål	Spring retainer	21813	2
15	9057154	Fjederben, venstre	Strut body, left	35019	1
16	9057155	Fjederben, højre	Strut body, right	35016	1
17	9034757 (inaktiv)	Låsering	Circlip	26912	2
18	9034759	Forhjulsløje	Bearing	26913	2
19	N/A	Fedtnippel	Grease fitting	27074	2
20	9030061	Bærearmsbolt / tap	Ball joint stud	20512	2
21	9030062	Holder t/bærearmsbolt	Ball joint mounting bracket	20513	2
23	9034773	Bolt, M6x12	Bolt, M6x12	10022	4
24	9033907 (inaktiv)	Skive	Washer	10019	2
25	9034777 (inaktiv)	Møtrik, M10x1,25	Nut, M10x1,25	27067	2
26	9034779 (inaktiv)	Splitpind	Cotter pin, 2,5x25	10501	2
27	N/A	Bærearmløje, venstre	A-arm, left	20518F	1
28	9029800	Bærearmløje, højre	A-arm, right	20627F	1
29	9049609	Aksel for øverste bærearmløje	A-arm pivot shaft	27077	2

30	9033896	Møtrik, M12x1,25	Møtrik, M12x1,25	10136	4
31	9029799	Bøsning	Bushing	20524f	4
32	9030010	Bærearms beskytter, venstre	A-arm shield, left	20519	1
33	9030011	Bærearms beskytter, højre	A-arm shield, right	20628	1
34	9033898	Skrue, M5x12	Screw, M5x12	10001	4
35	9031005	Møtrik, M10x1,25	Nut, M10x1,25	10015	2
36	9034175 (inaktiv)	Bolt, M10x1,25x55	Bolt, M10x1,25x55	10016	2
37	9030064	Sporstangsende, A	Tie rod end, A	20503	2
38	N/A	Møtrik, højre	Jam nut (right)	10017	2
39	N/A	Sporstangsende, ny model	Tie rod (new model)	36147	2
40	N/A	Møtrik, venstre	Jam nut (left)	20506	2
41	9030065	Sporstangsende, B	Tie rod end, B	20507	2
42	N/A	Bolt	Bolt	35722	2
43	9057157	Justerbar sporstang	Tie rod assy (new model)	36146	2
44	9057158	T-muffe, front	Front T type	35017	1
45	9057159	T-muffe, ned	Down T type	35018	1



Fig 7: Bærear, bag / rear arm

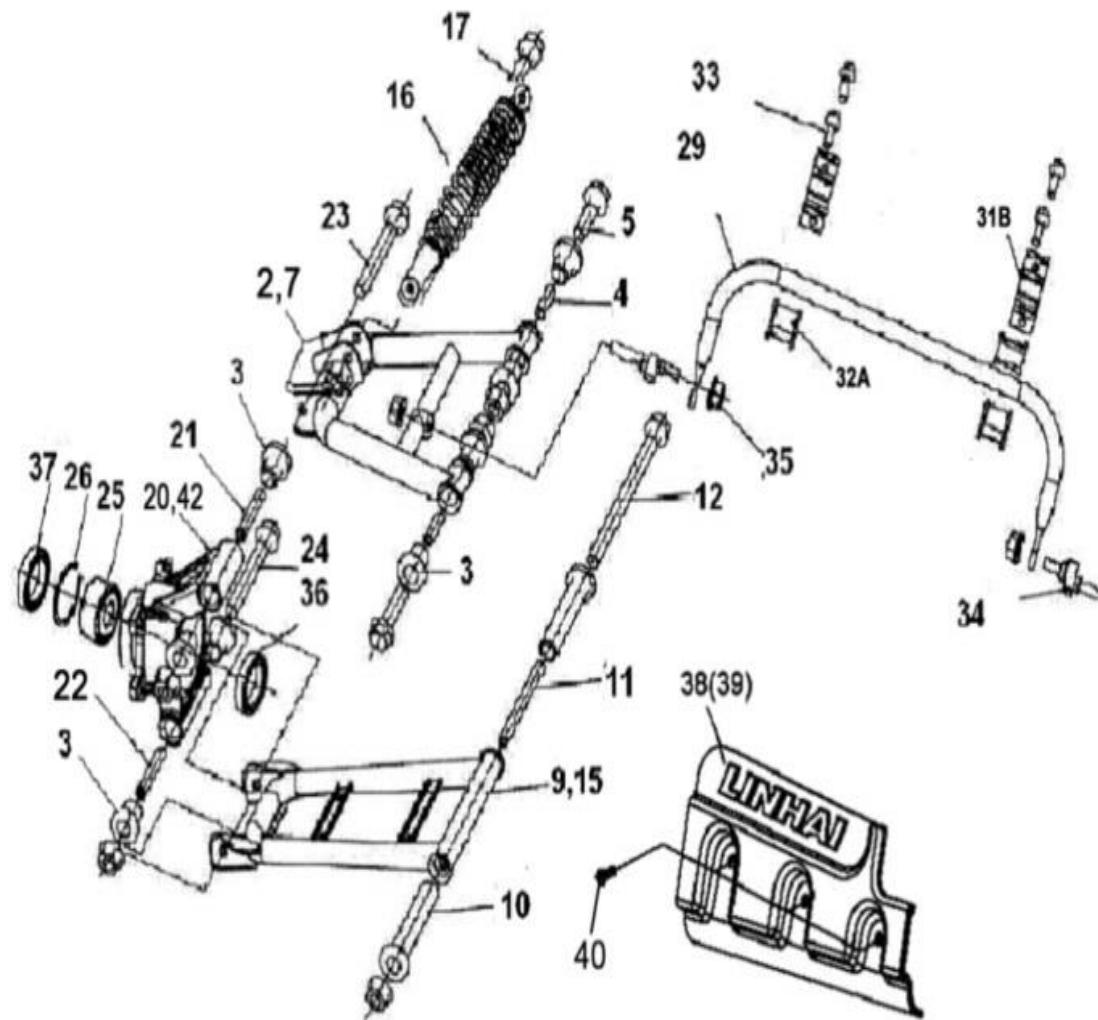


Fig 7: Bærearml, bag / rear arm

Ref. no.	PL nr / art. no.	Varenavn	Art. name	OE no.	Antal / pcs
2	9039414	Bærearml, B.H.Ø.	Arm, L. RR	27324	1
3	9039665	Gummibøsning, B. Ø. bærearml	Bush 1 arm, R. RR	70682	16
4	9039467	Bøsning	Collar	70683	4
5	9049216	Bolt, M10x1,25x80	Bolt, M10x1,25x80	70684	4
7	9039415	Bærearml, B.V.Ø.	Arm, R. RR	27325	1
9	9039416	Bærearml, B.V.N.	Arm set, L. RR	27326	1
10	9039654	Gummibøsning, Ø. bærearml	Bush 2 arm, R. RR	70665	4
11	9049302	Rørbøsning f/B.N. bærearml	Collar arm	70687	2
12	9049244	Akselbolt f/bærearml	Bolt	70688	2
15	9039417	Bærearml, B.H.N.	Arm set, R. RR	27327	1
16	9057478	Støddæmper, bag	Shock absorber, RR	36161	2
17	N/A	Bolt, M10x1,25x52	Bolt, M10x1,25x52	70012	4
20	9057162	Spindel, venstre	Knuckle, L. RR	36136	1
21	9039670	Bøsning, Ø.B.	Collar, RR, knuckle (upper)	70692	2
22	9039671	Bøsning, N.B.	Collar, RR, knuckle (lower)	70693	2
23	9039468	Bolt, Ø.	Bolt, knuckle (upper)	70694	2
24	9039469	Bolt, N.	Bolt, knuckle (lower)	70695	2
25	9039662	Baghjulsleje	Bearing, AU0712	70674	2
26	9039518	Låsering, Ø58	Circlip, Ø58	70055	2
29	9057163	Fjeder f/stabilisator	Spring, RR, stabilizer	35385	1
31B	9057165	Holder f/stabilisator bøsning (ny model)	Holder, stabilizer bush (new model)	35523	2
32A	9057166	Bøsning for stabilisator (ny model)	Bush, RR, stabilizer (new model)	72018	2
33	9050231	Bolt, M8x20	Bolt, M8x20	10081	4
34	9039673	Bolt f/stabilisator	Link, RR stabilizer	70699	2
35	9031005	Møtrik, M10x1,25	Nut, M10x1,25	10015	18
36	9039663	Pakdåse t/baghj. 61,5x43x11	Seal, 61,5x43x11	70675	2
37	9039664	Pakdåse t/baghj. 58x41x11	Seal, 58x41x11	70676	2
38	9049397	Skærm f/bærearml, venstre	Arm protect, L	70977	1
39	9049396	Skærm f/bærearml, højre	Arm protect, R	70976	1
40	9033898	Bolt, M5x12	Bolt, M5x12	10001	6
41	9057167	Beslag	Bracket	72019	2
42	9057169	Spindel, højre	Knuckle, R. RR	36135	1

Fig. 8: Forhjul / front wheel

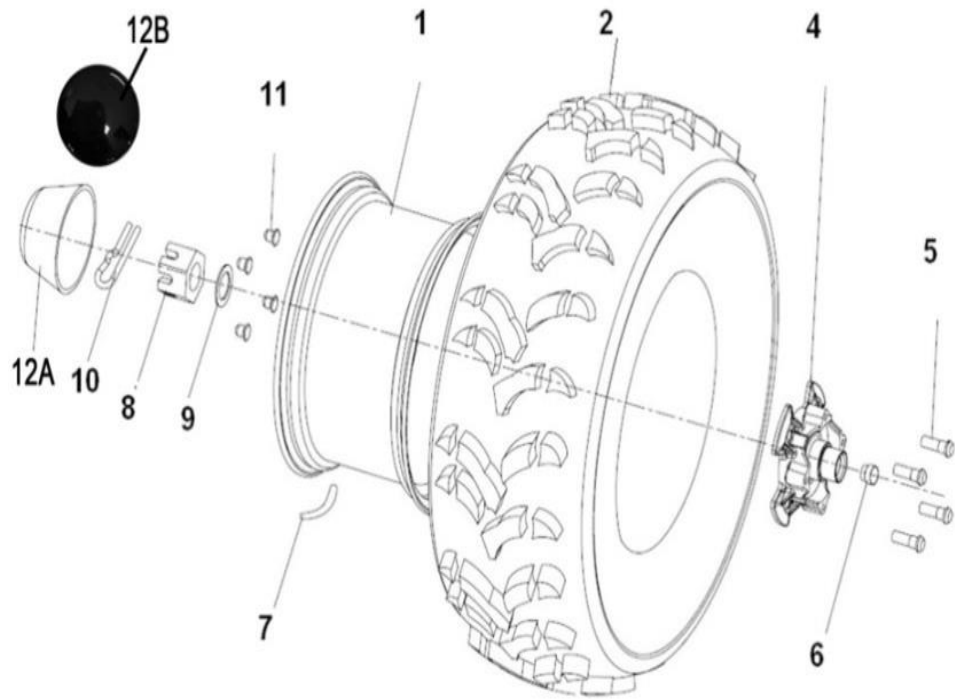




Fig. 8: Forhjul / front wheel

Ref. no.	PL nr / art. no.	Varenavn	Art. name	OE no.	Antal / pcs
1A	N/A	Fælg	ASSY, FR(ALUMINIUM) (FRANCE)	35508	2
1B	9057170	Alu fælg, forhjul	WHEEL SUB-ASSY, FR(ALUMINIUM)	35723	2
1C	N/A	Fælg	ASSY, FR(IRON) (FRANCE) (SIMPLE)	36154	2
2	N/A	Fordæk	Tire, front - AT25x8-12 6PR	27319t	2
2	9057171	Fordæk, AT25x8-12 43J	Tire, front - AT25x8-12 43J	35509	2
2	N/A	Fordæk	Tire, front - AT25x8-12 47F	27615	2
4	9039409	Forhjulsnæv	Hub assy	27285	2
5	9039472	Hjulbolt, M12x1,25	Bolt, M12x1,25	70714	16
6	9039474	Tætningsprop	Bolt, slotted	70718	2
7	9029813	Ventil, slangeløs	Valve, rim	20807	4
8	9039476	Kronemøtrik	Bolt, slotted	70721	4
9	N/A	Skive	Washer	70722	2
10	9034985 (inaktiv)	Splitpind	Pin, 4x32	26267	2
11	9049611	Hjilmøtrik, M12x1,25	Nut, wheel	27411	8
12A	9039473	Navkapsel, plast	Cap, wheel center	70717	2
12B	N/A	Navkapsel	Cap, wheel sub-assy	36162	2

Fig. 9: Baghjul / rear wheel

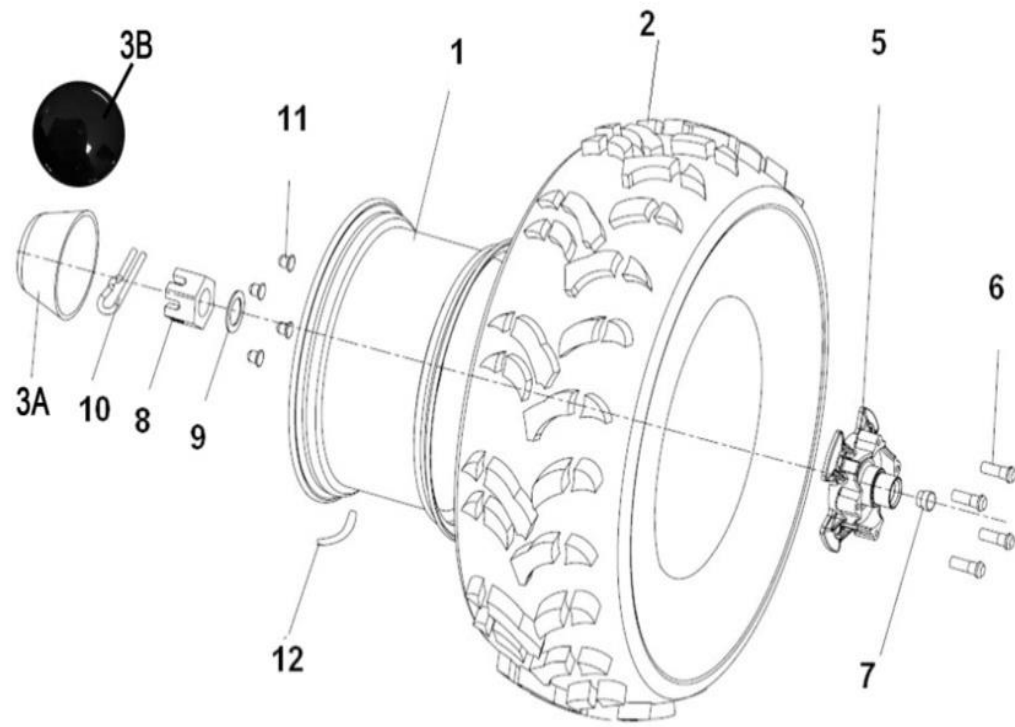


Fig. 9: Baghjul / rear wheel

Ref. no.	PL nr / art. no.	Varenavn	Art. name	OE no.	Antal / pcs
1A	N/A	Fælg	WHEEL SUB-ASSY, RR(ALUMINIUM)	35510	2
1B	9057172	Alu fælg, baghjul	WHEEL SUB-ASSY, RR(ALUMINIUM)	35717	2
1C	N/A	Fælg	WHEEL SUB-ASSY, RR(ALUMINIUM)	36155	2
2	N/A	Bagdæk	Tire, RR AT25X10-12 6PR	35006	2
2	9057173	Bagdæk, AT25x10-12 50J	Tire, RR AT25X10-12 50J	35511	2
2	N/A	Bagdæk	TIRE, RR AT25X10-12 65F (WANDA)	27618	2
3A	9039473	Navkapsel, plast	Cap, wheel center	70717	2
3B	N/A	Navkapsel	CAP, WHEEL SUB-ASSY	36162	2
5	9039475	Baghjulsnav	HUB, RR WHEEL	70719	2
6	9039472	Bolt, M12x1,25	Bolt, M12x1,25	70714	16
7	9039474	Tætningsprop	Seal	70718	4
8	9039476	Kronemøtrik	Bolt, slotted	70721	2
9	N/A	Skive	Washer	70722	2
10	9034985 (inaktiv)	Splitpind	Pin, 4x32	26267	2
11	9049611	Hjulmøtrik, M12x1,25	Nut, wheel	27411	8
12	9029813	Ventil, slangeløs	Valve, rim	20807	4

Fig. 10: Skiftestang / shift rod

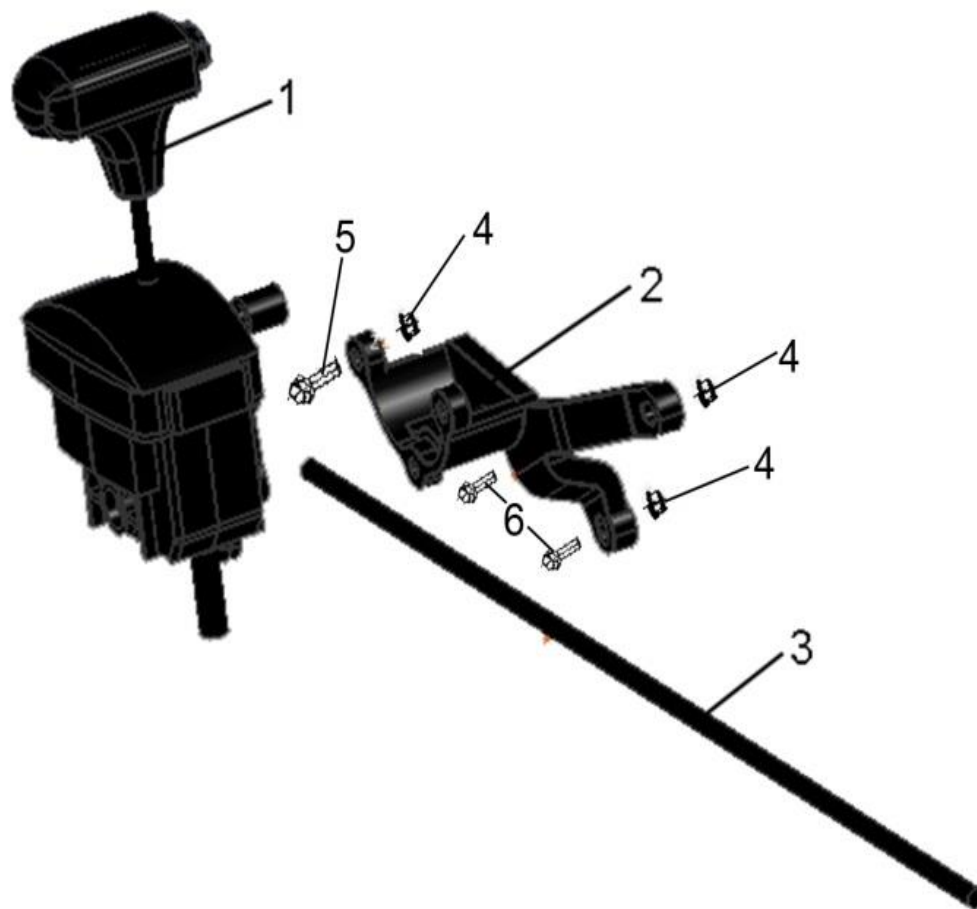


Fig. 10: Skiftestang / shift rod

Ref. no.	PL nr / art. no.	Varenavn	Art. name	OE no.	Antal / pcs
1	9057174	Gearvælger	Shifter assy mounting (new model)	35008a	1
2	9057175	Gearvælger, beslag	Shifter mounting bracket	35010	1
3	N/A	Gearstang	Shifter mounting rod (new model)	35720	1
4	9050207	Møtrik, M8	Nut, M8	10067	3
5	9050234	Bolt, M8x50	Bolt, M8x50	10403	1
6	9050232	Bolt, M8x30	Bolt, M8x30	10078	2

Fig. 11: Gearkasse, front og bag / front and rear gearbox

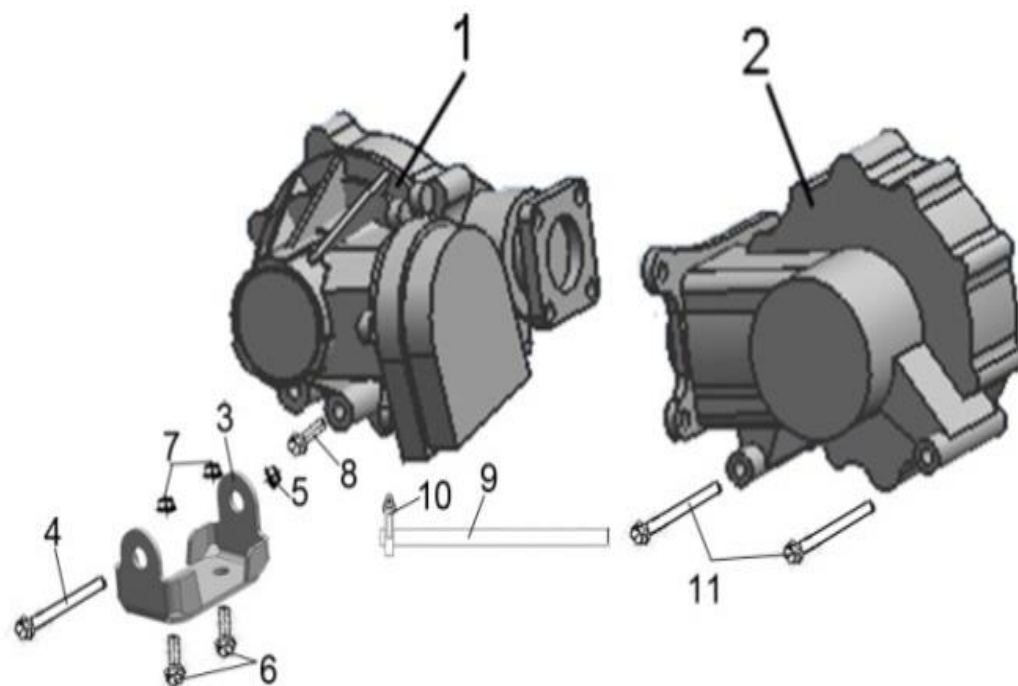


Fig. 11: Gearkasse, front og bag / front and rear gearbox

Ref. no.	PL nr / art. no.	Varenavn	Art. name	OE no.	Antal / pcs
1	9057479	Gearkasse, front - komplet	Front gearbox, assy	26319	1
2	N/A	Gearkasse, bag - komplet	Rear gearbox, assy	26300	1
3	N/A	Beslag t/gearkasse (front)	Bracket, front gear box assy	35500	1
4	N/A	Bolt, M10x1,25x90	Bolt, M10x1,25x90	10924	1
5	9031005	Møtrik, M10x1,25	Nut, M10x1,25	10015	1
6	9034535 (inaktiv)	Bolt, M8x1,25x16	Bolt, M8x1,25x16	10168	2
7	9033914 (inaktiv)	Møtrik, M8x1,25	Nut, M8x1,25	10079	2
8	N/A	Bolt, M10x1,25x35	Bolt, M10x1,25x35	10283	2
9	N/A	Rør, Ø5xØ9x450	Pipe, Ø5xØ9x450	35501	2
10	9034708 (inaktiv)	Spændebånd	Clamp	22924	2
11	N/A	Bolt, M10x1,25x110	Bolt, M10x1,25x110	10925	2

Fig. 12: Venstre drivaksel, front (4WD) / front left drive axle (4WD)

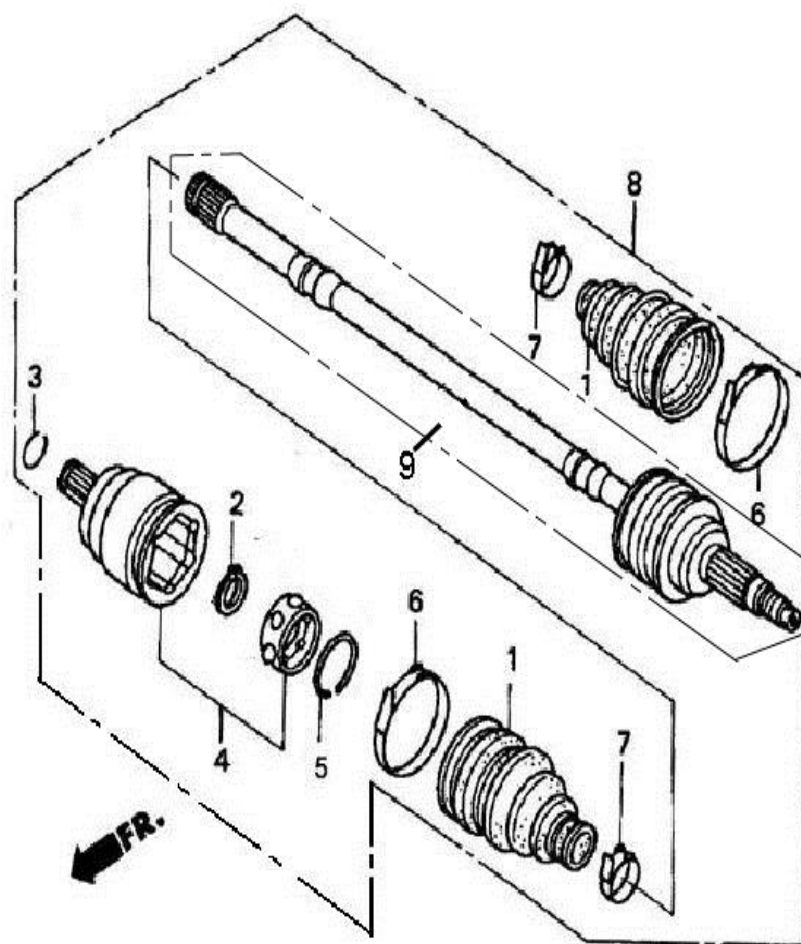




Fig. 12: Venstre drivaksel, front (4WD) / front left drive axle (4WD)

Ref. no.	PL nr / art. no.	Varenavn	Art. name	OE no.	Antal / pcs
1	N/A	Plade	Outer board boot	35038	1
2	N/A	Spændering	Circlip	35044	1
3	N/A	Stopring, 19,2	Stopper ring, 19,2	35046	1
4	N/A	Samler	Joint, inboard	35041	1
5	N/A	Stopring	Stopper ring	35039	1
6	N/A	Ring, B	Boot band, B	35040	1
7	N/A	Ring, A	Boot band, A	35037	1
8	9057180	Drivaksel, front venstre - komplet	Front left drive axle	35030	1
9	N/A	Drivaksel	Drive axle / outer CV joint assy	35032	1

Fig. 13: Højre drivaksel, front (4WD) / front right drive axle (4WD)

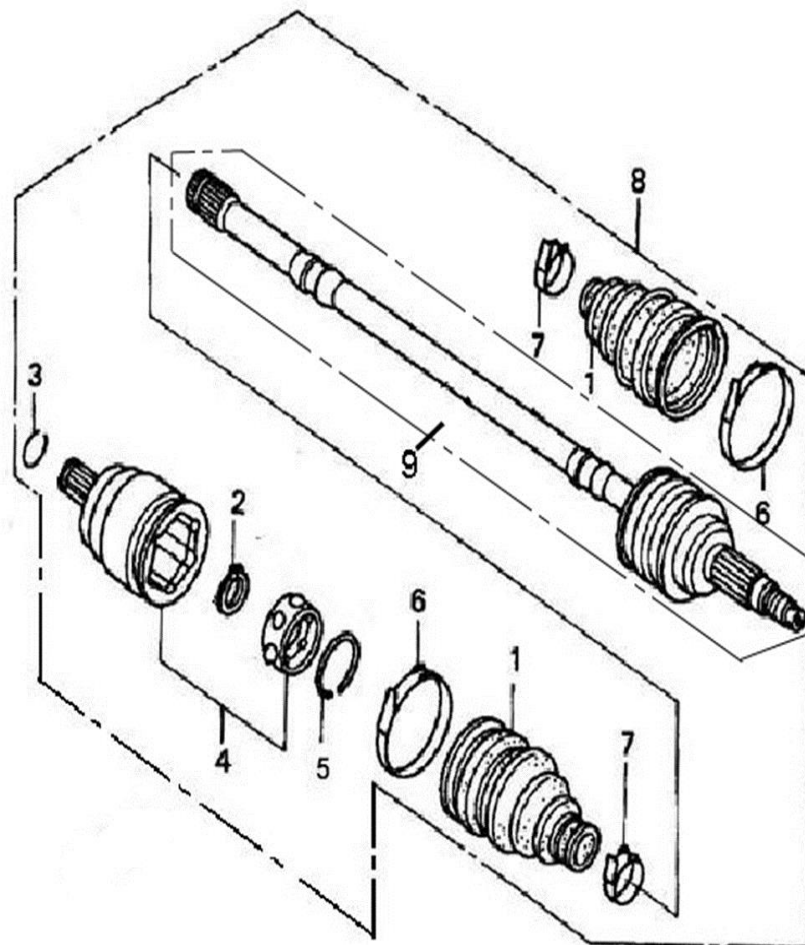


Fig. 13: Højre drivaksel, front (4WD) / front right drive axle (4WD)

Ref. no.	PL nr / art. no.	Varenavn	Art. name	OE no.	Antal / pcs
1	N/A	Plade	Outer board boot	35038	1
2	N/A	Spændering	Circlip	35044	1
3	N/A	Stopring, 19,2	Stopper ring, 19,2	35046	1
4	N/A	Samler	Joint, inboard	35041	1
5	N/A	Stopring	Stopper ring	35039	1
6	N/A	Ring, B	Boot band, B	35040	1
7	N/A	Ring, A	Boot band, A	35037	1
8	9057181	Drivaksel, front højre - komplet	Front right drive axle	35031	1
9	N/A	Drivaksel	Drive axle / outer CV joint assy	35033	1

Fig. 14: Venstre drivaksel, bag (XL) / rear left drive axle (XL)

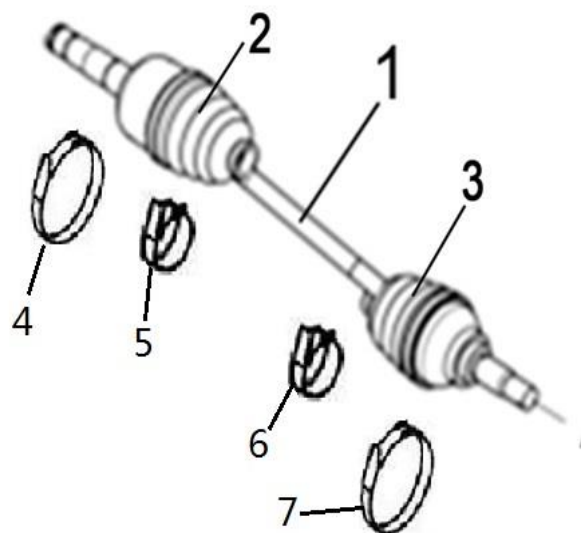


Fig. 14: Venstre drivaksel, bag (XL) / rear left drive axle (XL)

Ref. no.	PL nr / art. no.	Varenavn	Art. name	OE no.	Antal / pcs
1	N/A	Drivaksel, venstre bag - XL	Rear left drive axle, XL	36143	1
2	N/A	Plade	Inner board boot	36196	1
3	N/A	Plade	Outer board boot	36165	1
4	N/A	Plade, indre	Inner board boot, B	36197	1
5	N/A	Plade, indre	Inner board boot, A	36167	1
6	N/A	Plade, ydre	Outer board boot, B	36198	1
7	N/A	Plade, ydre	Outer board boot, A	36199	1

Fig 15: Højre drivaksel, bag (XL) / rear right drive axle (XL)

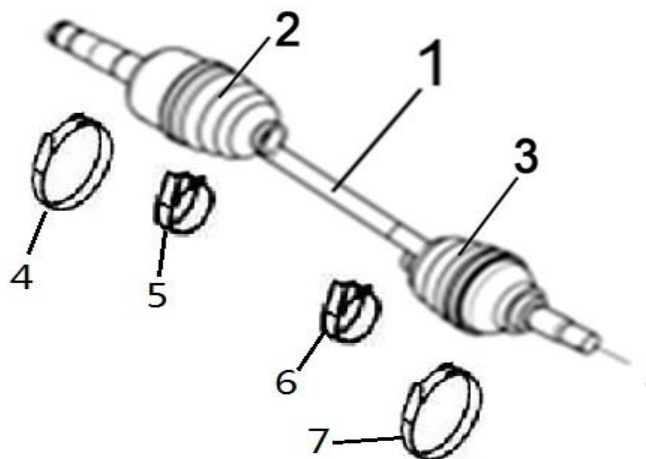


Fig 15: Højre drivaksel, bag (XL) / rear right drive axle (XL)

Ref. no.	PL nr / art. no.	Varenavn	Art. name	OE no.	Antal / pcs
1	9057184	Drivaksel, højre & venstre, bag - XL	Rear right drive axle, XL	36144	1
2	N/A	Plade	Inner board boot	36196	1
3	N/A	Plade	Outer board boot	36165	1
4	N/A	Plade, indre	Inner board boot, B	36197	1
5	N/A	Plade, indre	Inner board boot, A	36167	1
6	N/A	Plade, ydre	Outer board boot, B	36198	1
7	N/A	Plade, ydre	Outer board boot, A	36199	1

Fig. 16: Spindel, front og bag / front and rear knuckle assy

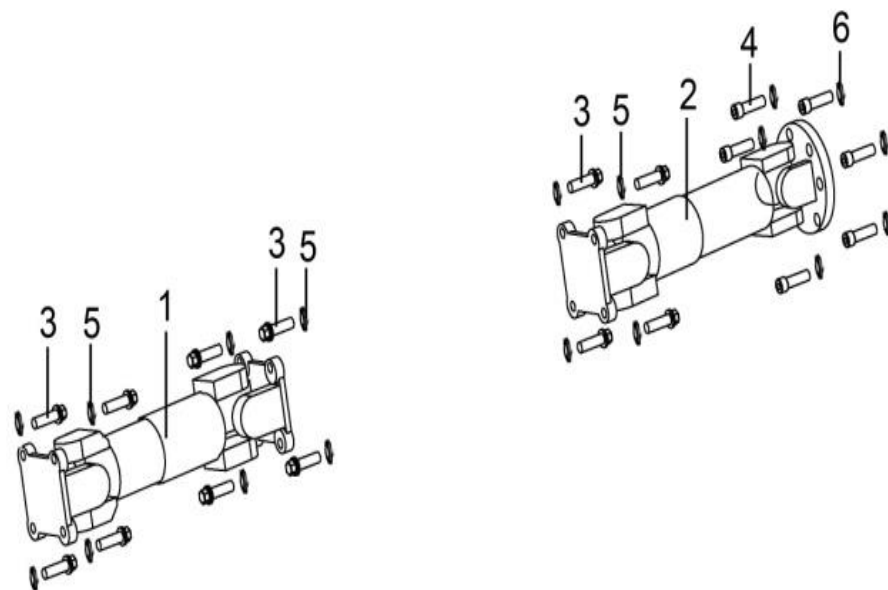




Fig. 16: Spindel, front og bag / front and rear knuckle assy

Ref. no.	PL nr / art. no.	Varenavn	Art. name	OE no.	Antal / pcs
1	9057185	Spindel, front	Front knuckle	35081	1
1	9057186	Spindel, front & bag - XL	Front knuckle, XL	36150	1
2	9057187	Spindel, bag	Rear knuckle	35082	1
2	N/A	Spindel, bag - XL	Rear knuckle, XL	36151	1
3	N/A	Bolt, M8x1x25	Bolt, M8x1x25	10926	12
4	N/A	Bolt, M10x1,25x32	Bolt, M10x1,25x32	10927	6
5	9033861	Fjederskive	Spring washer	10106	12
6	9033908 (inaktiv)	Fjederskive	Spring washer	10027	6

Fig. 17: Spindel, front og bag / front and rear knuckle assy

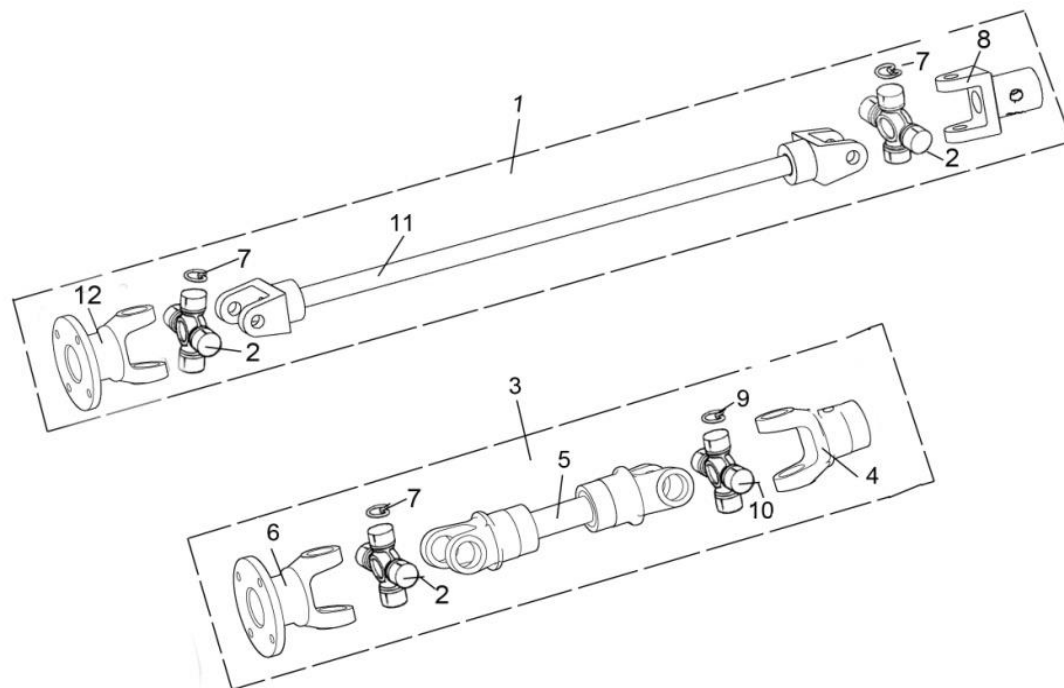


Fig. 17: Spindel, front og bag / front and rear knuckle assy

Ref. no.	PL nr / art. no.	Varenavn	Art. name	OE no.	Antal / pcs
1	N/A	Spindel, front	Front knuckle	35081	1
2 & 10	N/A	Kryds, smørenippel	Body, bearing, grease nipple	36182	4
3	N/A	Spindel, bag	Rear knuckle	35082	1
4	N/A	Gaffel, 2	Sliding fork, 2	36184	1
5	N/A	Gaffel, bag	Rear fork weldments	36185	1
6	N/A	Gaffel, 1	Sliding fork, 1	36186	1
7	N/A	Spændering, Ø25	Circlip, Ø25	36195	3
8	N/A	Gaffel, 3	Sliding fork, 3	36183	1
9	N/A	Spændering, Ø22	Circlip, Ø22	36194	1
11	N/A	Holder	Rear fork weldments	36187	1
12	N/A	Gaffel, 4	Sliding fork, 4	36188	1

Fig. 18: XL spindel, front og bag / XL front and rear knuckle assy

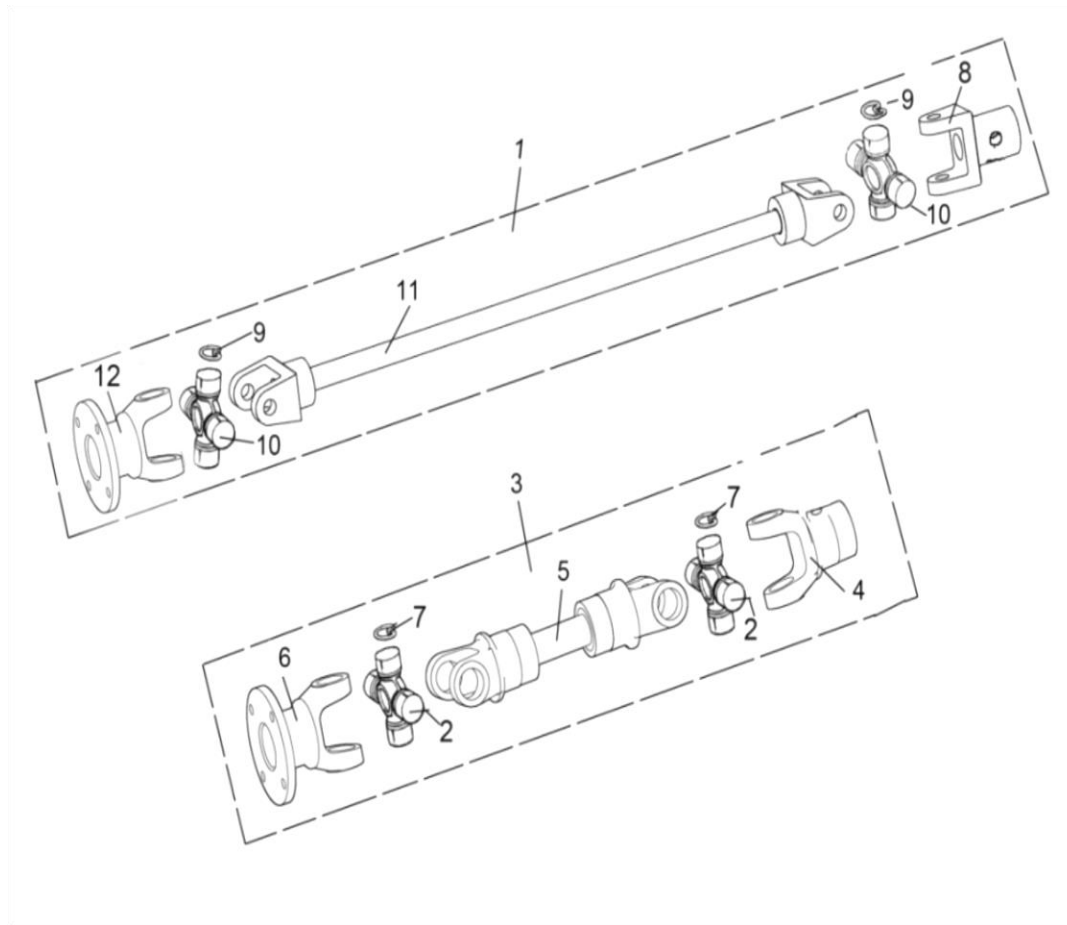


Fig. 18: XL spindel, front og bag / XL front and rear knuckle assy

Ref. no.	PL nr / art. no.	Varenavn	Art. name	OE no.	Antal / pcs
1	N/A	Spindel, front - XL	Front knuckle - XL	36150	1
2 & 10	N/A	Kryds, smørenippel	Body, bearing, grease nipple	36182	4
3	N/A	Spindel, bag - XL	Rear knuckle - XL	36151	1
4	N/A	Gaffel, 2	Sliding fork, 2	36189	1
5	N/A	Holder	Rear fork weldments	36190	1
6	N/A	Gaffel, 1	Sliding fork, 1	36191	1
7 & 9	N/A	Spændering, Ø22	Circlip, Ø22	36194	3
8	N/A	Gaffel, 3	Sliding fork, 3	36183	1
11	N/A	Holder	Rear fork weldments	36192	1
12	N/A	Gaffel, 4	Sliding fork, 4	36193	1

Fig. 19: Ratstamme / steering column

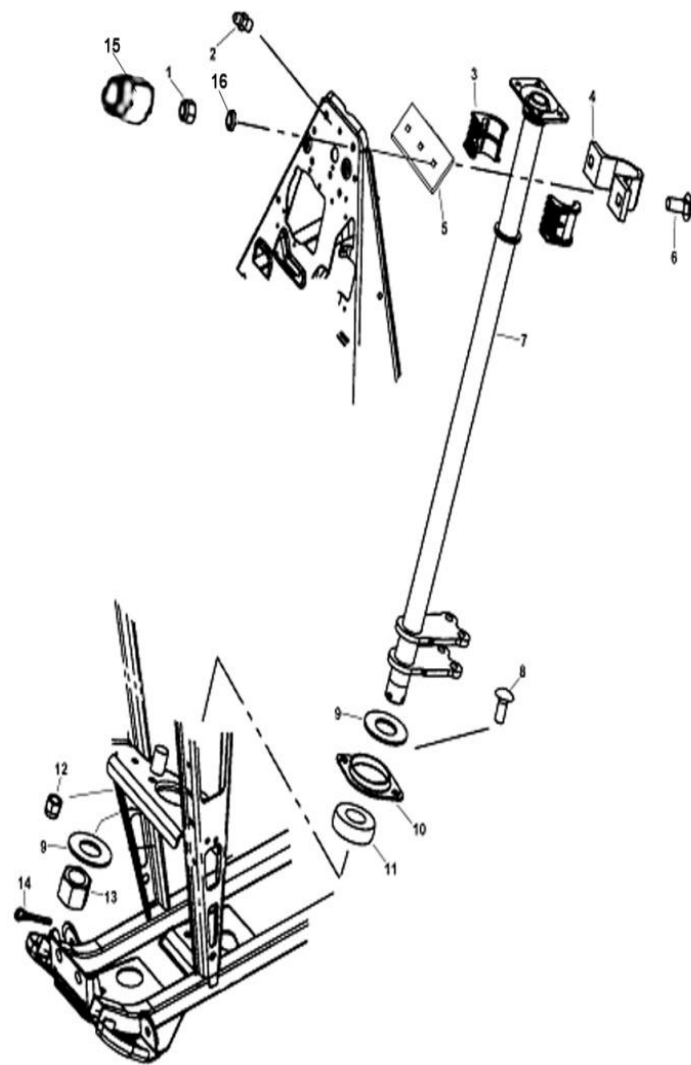


Fig. 19: Ratstamme / steering column

Ref. no.	PL nr / art. no.	Varenavn	Art. name	OE no.	Antal / pcs
1	9050207	Møtrik, M8	Nut, M8	10079	2
2	9034761 (inaktiv)	Smørenippel	Grease fitting	10026	1
3	9029719	Bøsning	Bushing	21903	2
4	9036381	U-bøjle, bag	Steering clamp, rear	21904	1
5	9038948	Holder plade	Steering clamp, front	21905	1
6 & 8	N/A	Bolt	Bolt	21906	2
7	9057188	Ratstamme	Steering column	35020	1
9	9057189	Skive	Washer	21909	2
10	9029656	Lejeholder	Bearing retainer	21910	1
11	9029657	Leje	Bearing	21911	1
12	9050207	Møtrik, M8	Nut, M8	10079	2
13	9029658	Kronemøtrik	Steering column retainer nut	10100	1
14	N/A	Splitpind	Cotter pin	10101	1
15	N/A	Beskyttelsescover	Protect cover	27256	2
16	9033861	Fjederskive	Spring washer	10106	2

Fig. 20: Elektrisk system / electrical system

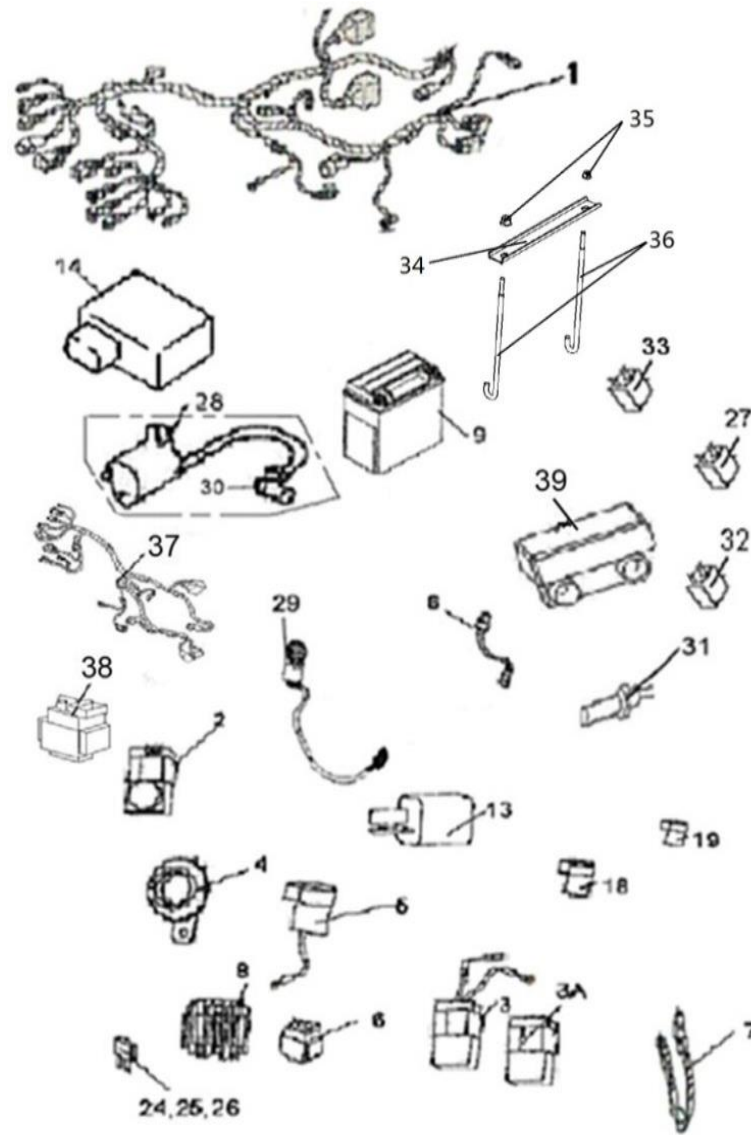




Fig. 20: Elektrisk system / electrical system

Ref. no.	PL nr / art. no.	Varenavn	Art. name	OE no.	Antal / pcs
1	9057480	Ledningsnet	Wiring harness	36122	1
2	9057191	Bakalarm	Reverse gear warning	35088	1
3	9057481	Hastighedsbegrænser, bakgear	Reverse speed limiter	22002a	1
4	9034316	Horn	Horn		1
5	9057483	Blinklys relæ	Flasher relay assy	73326	1
6	9049388	Startrelæ	Starter relay	71602	1
7	9034325 (inaktiv)	Strips	Tie	25530	20
8	9049505	Laderelæ	Regulator rectifier	71603	1
9	9046756	Batteri	Battery	70407a	1
13	9030031	Kondensator	Capacitor	32021	1
14	9057483	ECU styreboks (EU4)	ECU	35743	1
18	9029720	Gummibeskyttelse, 1	Rubber sheath, 1	25517	
19	9029721	Gummibeskyttelse, 2	Rubber sheath, 2	25519	
24	9039401	Sikring 7,5 Amp	7,5 Amp fuse	22019	1
25	9039402	Sikring 15,15 Amp	15 Amp fuse	22020	2
26	9039403	Sikring 3,3 Amp	3 Amp fuse	22021	1
27	9030031	Kondensator	Capacitor	32021	1
28	9057484	Tændspole	Ignition coil and wire	70822D	1
29	9049363	Stikdåse f/udtag	Accessory socket assy	71973	1
30	N/A	Hætte t/tændspole	Cap, ignition coil	22024	1
31	N/A	Bremse kontakt	Brake switch	70405f	1
32	9057195	Hjælpe kontakt	Auxiliary relay	35083	4
33	9049365	Relæ	Start relay (control fan)	50280	1
33	9049365	Relæ (gammel model)	Start relay (old) - high/dipped beam	50280	2
33	9057196	Relæ (ny model)	Start relay (new) - high/dipped beam	35656	2
34	N/A	Batteriholder	Battery clamp	36057	1
35	9050207	Møtrik, M8	NUT 8	10079	2
36	N/A	Batteriholder	Battery fastening pull rod	36056	2
37	N/A	EFI ledning	EFI wire	36123	1
38	9049303	Relæ, EFI	EFI relay	71474	1
39	9039720	Kontakt	Electrical dumpage switch	70968	1

Fig. 21: Bremsesystem / brake system

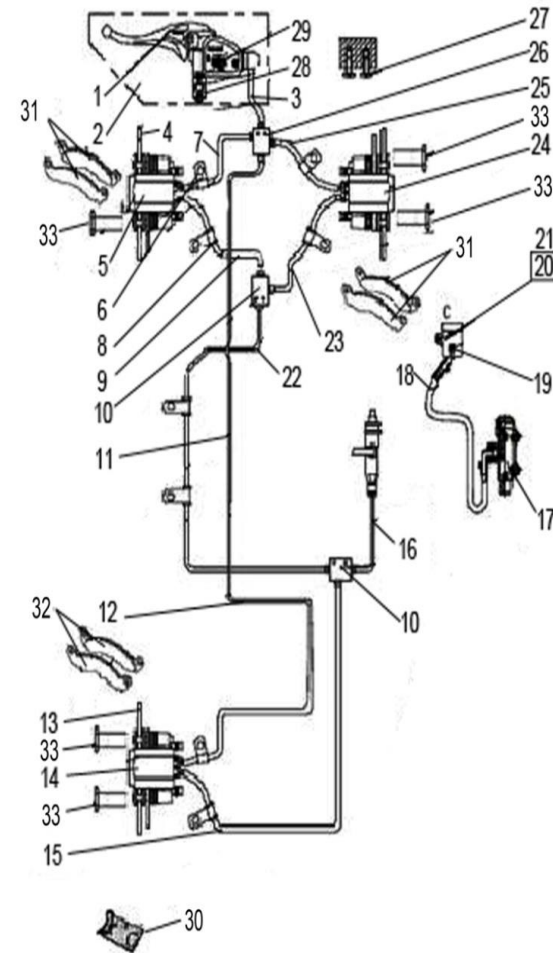
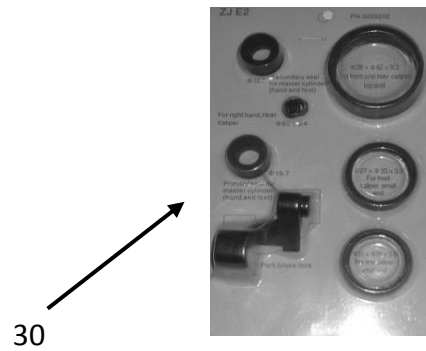


Fig. 21: Bremsesystem / brake system

Ref. no.	PL nr / art. no.	Varenavn	Art. name	OE no.	Antal / pcs
1	9029827	Bremsehåndtag, venstre	Brake lever	2211120	1
1	N/A	Parkeringsbremse, håndtag	Brake lever (passivation)	36095	1
2	9039413	Hovedcylinder, styr	Master cylinder w/brake lever	27320	1
2	N/A	Hovedcylinder, styr - parkeringsbremse	Master cylinder w/brake lever (passivation)	36170	1
3	9029683	Bremseslange, parkeringsbremse	Hand brake hose	22102	1
4	9039644	Bremsekiver, front	Front brake disc	27321	2
5	9057198	Bremsekaliber, front - venstre	Brake caliper left, front	27409	1
6	N/A	Clamp	Clamp	32104	2
7	9029689	Bremseslange, venstre front	Front brake hose, 2	22229	1
8	9034418	Gummikrave	Rubber tube, 1	32105	3
9	9057199	Bremseslange, front	Front brake hose, 1	27313	1
10	9029672	T-stykke	Brake line coupler	32107	1
11	N/A	Slange t/bremsekive, bag	Tube disc brake, rear	35068	1
12	9057200	Bremselange, bag - 1	Rear brake hose, 1	35069	1
13	9039637	Bremsekiver, bag	Rear brake disc	70537	2
14	9039634	Kaliber, komplet - venstre, bag	Brake caliper left, rear	70520	1
15	N/A	Bremselange, bag - 2	Rear brake hose, 2	35070	1
16	9057201	Bremselange, bag - 3	Rear brake hose, 3	27377	1
17	9039440	Hovedcylinder, fodbremse	Foot brake cylinder	27378	1
18	N/A	Slange t/bremsevæske	Reservoir hose	27379	1
19	9039465	Bremsevæskebeholder	Reservoir	70496	1
20	N/A	Møtrik, M5	Nut, M5	10109	1
21	N/A	Bolt, M5x12	Bolt, M5x12	10108	1
22	9057202	Bremseslange, fodbremse	Tube disc brake, foot brake	35071	1
23	9029682	Bremseslange, front - 2	Front brake hose, 2	32233	1
24	9057203	Bremsekaliber, front - højre	Brake caliper right	27410	1
25	9039628	Bremseslange, front - 3	Front brake hose, 3	70483	1
26	9049330	4-vejssamler	4-line coupler	70548	
27	N/A	Bolt, M5x15	Bolt, M5x15	10111	4
28	N/A	Bolt, M6x22	Bolt, M6x22	27283	2
28	N/A	Bolt, M6x66 (parkeringsbremse)	Bolt, M6x22 (passivation)	36171	2
29	N/A	Hætte	Cap	27277	1
29	N/A	Hætte (parkeringsbremse)	Cap (passivation)	36172	1
30	N/A	Service kit	Service kit	35711	1
31	9029926	Bremseklodser, sæt - front	Inside and outside pad, front	70525	4
32	9029926	Bremseklodser, sæt - bag	Inside and outside pad, rear	70525	2
33	9050231	Bolt, M8x20	Bolt, M8x20	27212	12

Fig. 22: Bremskaliber, højre - front & bag / brake caliper, right - front & rear

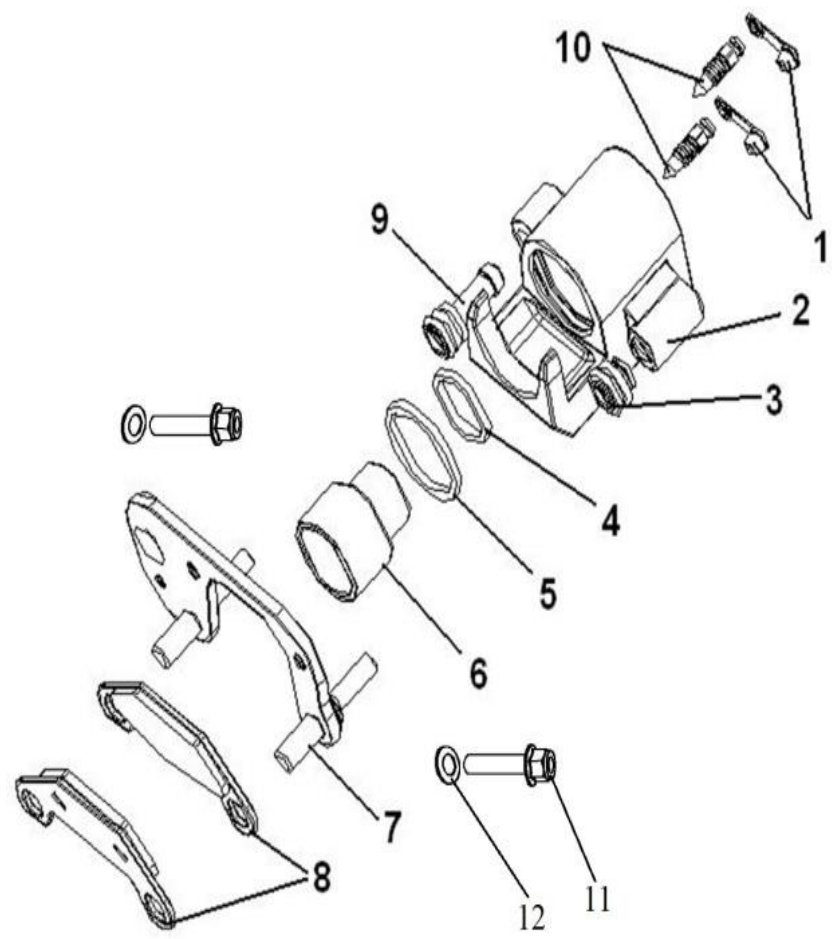


Fig. 22: Bremsekaliber, højre - front & bag / brake caliper, right - front & rear

Ref. no.	PL nr / art. no.	Varenavn	Art. name	OE no.	Antal / pcs
1	N/A	Støvhætte t/udluftning	Dustproof cover of blowhole	35538	2
2	N/A	Kaliber enhed, højre	Caliber body, right	35539	1
3	N/A	Støvhætte t/nederste aksel	Dustproof cover of the below axle	35540	1
4	N/A	Pakningsskive 27	Big sealing ring 27	35541	1
5	N/A	Pakningsskive 38	Big sealing ring 38	35542	1
6	N/A	Stempel, kaliber	Caliper piston	35543	1
7	N/A	Beslag	Bracket	35544	1
8	9029926	Bremseklodser, sæt - front	Inside and outside pad	22245	2
9	N/A	Støvhætte t/øverste aksel	Dustproof cover of the above axle	35545	1
10	N/A	Udluftning	Blowhole	35546	2
11	N/A	Bolt, M5x12	Bolt, M5x12	35547	2
12	N/A	Skive	Washer	35548	2

Fig. 23: Bremskaliber, venstre - front & bag / brake caliper, left - front & rear

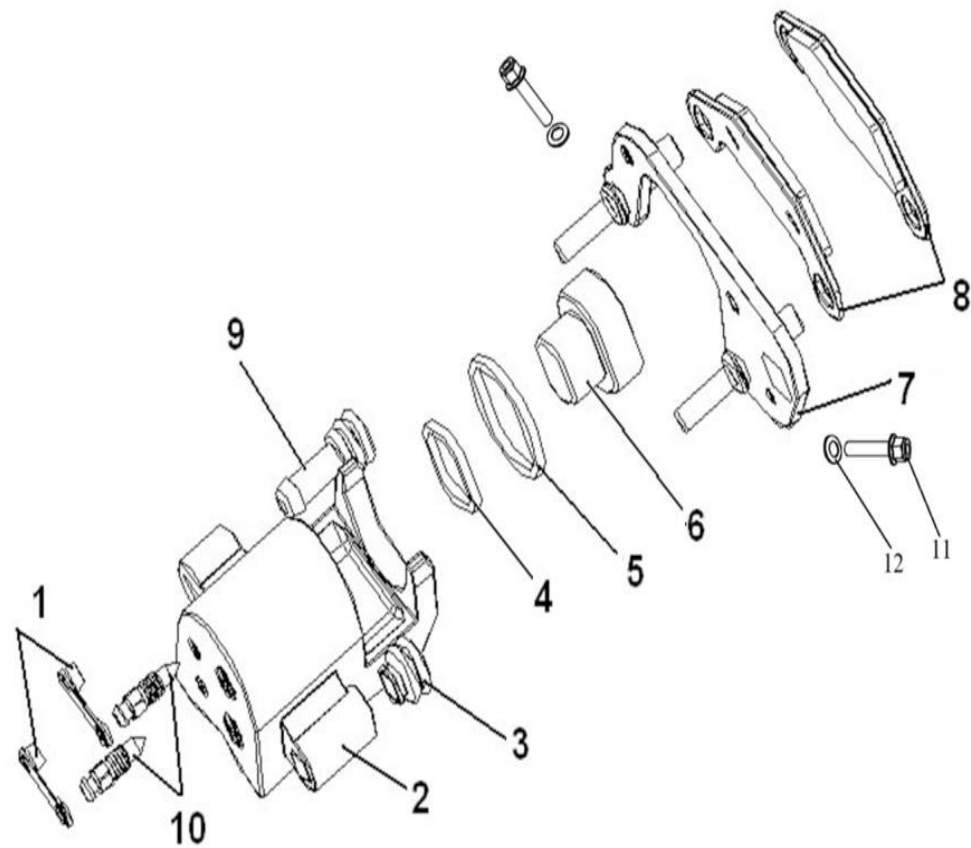


Fig. 23: Bremsekaliber, venstre - front & bag / brake caliper, left - front & rear

Ref. no.	PL nr / art. no.	Varenavn	Art. name	OE no.	Antal / pcs
1	N/A	Støvhætte t/udluftning	Dustproof cover of blowhole	35538	2
2	N/A	Kaliber enhed, venstre	Caliber body, left	35549	1
3	N/A	Støvhætte t/nederste aksel	Dustproof cover of the below axle	35540	1
4	N/A	Pakningsskive 27	Big sealing ring 27	35541	1
5	N/A	Pakningsskive 38	Big sealing ring 38	35542	1
6	N/A	Stempel, kaliber	Caliper piston	35543	1
7	N/A	Beslag	Bracket	35544	1
8	9029926	Bremseklodser, sæt - front	Inside and outside pad	22245	2
9	N/A	Støvhætte t/øverste aksel	Dustproof cover of the above axle	35545	1
10	N/A	Udluftning	Blowhole	35546	2
11	N/A	Bolt, M5x12	Bolt, M5x12	35547	2
12	N/A	Skive	Washer	35548	2

Fig. 24: Parkeringsbremse / auxiliary brake

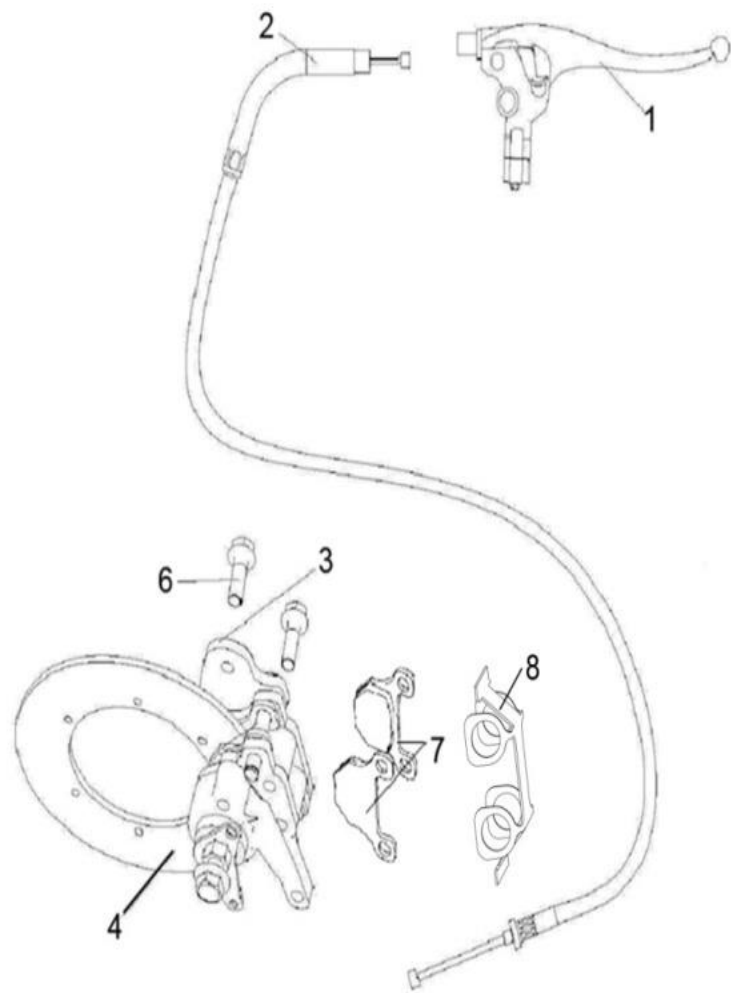




Fig. 24: Parkeringsbremse / auxiliary brake

Ref. no.	PL nr / art. no.	Varenavn	Art. name	OE no.	Antal / pcs
1	9039646	Bremsehåndtag	Master cylinder w/lever	70636	1
	N/A	Bremsehåndtag, parkeringsbremse	Master cylinder w/lever (passivation)	36094	1
2	9039647	Bremsekabel	Brake cable	70637	1
3	9057204	Bremsekaliber	Brake caliper	35074	1
4	9057205	Skivebremse	Disc brake	35075	1
6	9050233	Bolt, M8x40	Bolt, M8x40	10218	2
7	9030753	Bremseklodser, sæt	Brake pad	26291	2
8	9057207	Begrænser	Limit spring plate	35530	1

Fig. 25: Bremsepedal / pedal brake

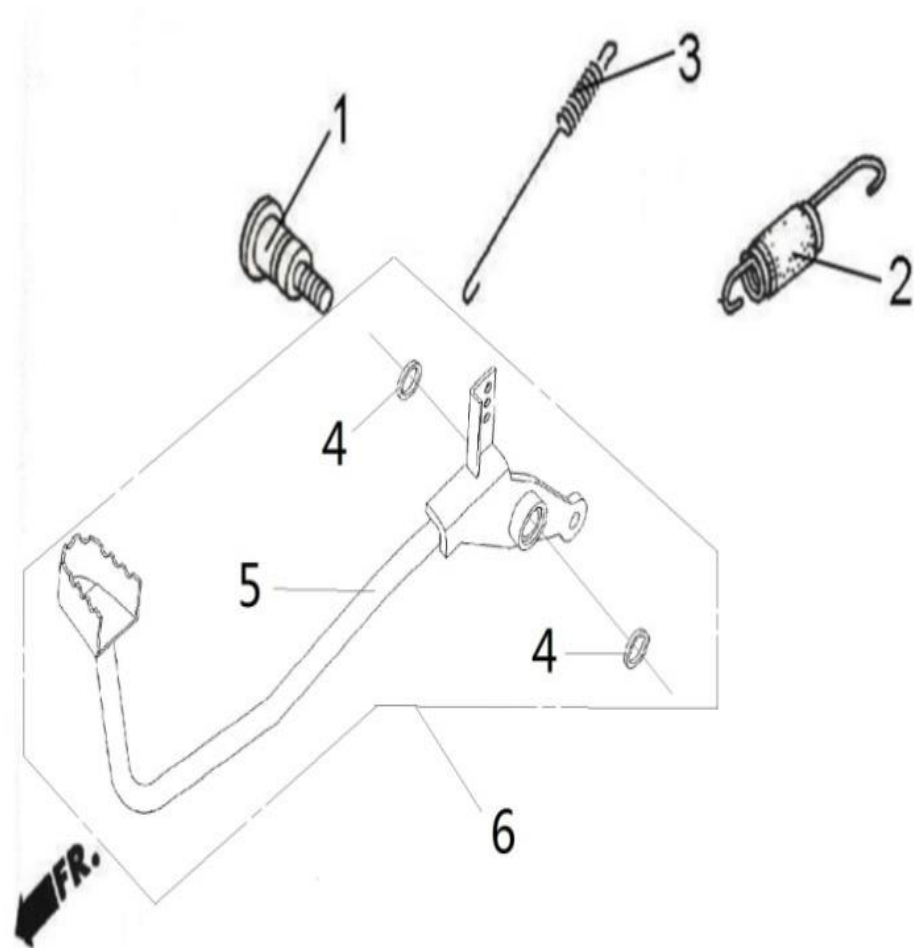


Fig. 25: Bremsepedal / pedal brake

Ref. no.	PL nr / art. no.	Varenavn	Art. name	OE no.	Antal / pcs
1	9039640	Bolt, spec. t/bremsepedal	Shaft, brake pivot	70542	1
2	9039639	Fjeder f/stopkontakt, fod	Spring, stop switch	70541	1
3	9057208	Fjeder, komplet (bremsepedal)	Spring assy (new model)	35502	1
4	9039638	Pakdåse f/pedalaksel	Dust seal	70540	2
5	N/A	Bremsepedal	Pedal brake	36096	1
6	N/A	Bremsepedal sæt	Pedal brake assy	36097	1

Fig. 26: Kofanger og stel / bumper and rack

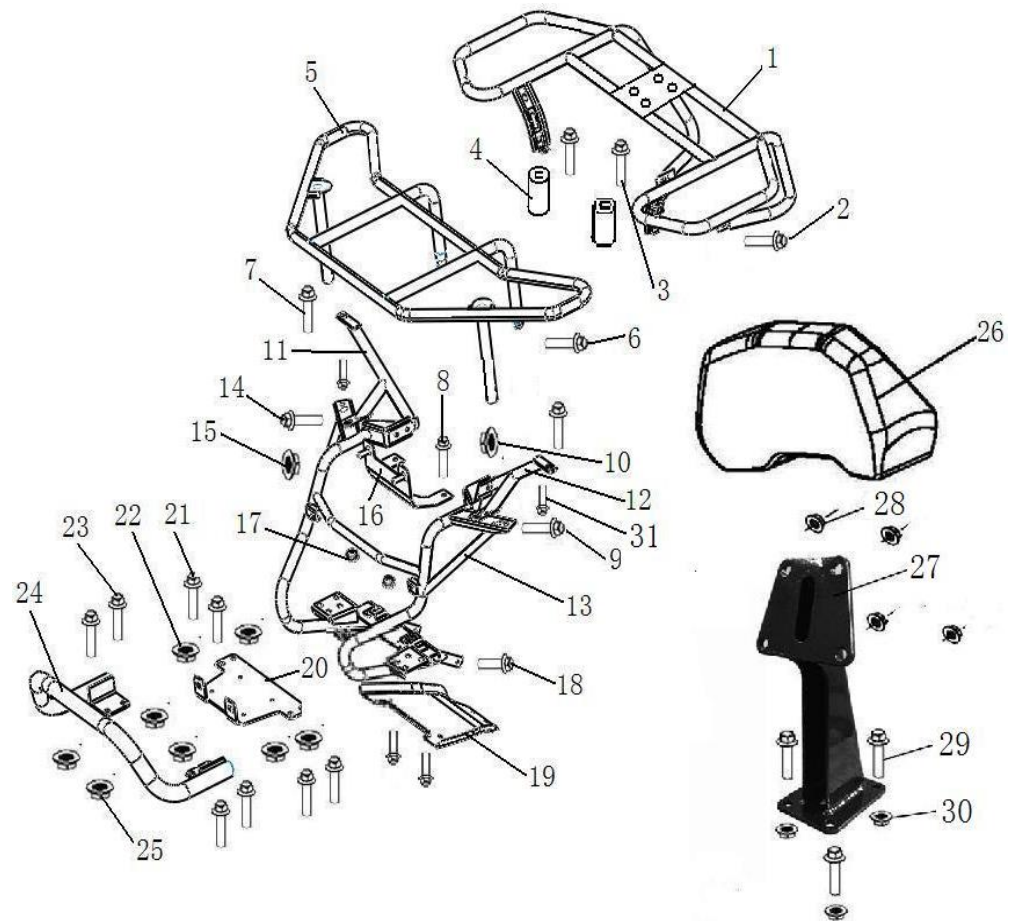


Fig. 26: Kofanger og stel / bumper and rack

Ref. no.	PL nr / art. no.	Varenavn	Art. name	OE no.	Antal / pcs
1	9057485	Ramme, bag	Rear rack	36084	1
2	9033887 (inaktiv)	Bolt, M8x25	Bolt, M8x25	10059	4
3	N/A	Bolt, M8x55	Bolt, M8x55	10511	2
4	9057486	Mellemstykke	Rear rack mounting spacer	36085	2
5	9057487	Ramme, front	Front rack	36093	1
6	9050231	Bolt, M8x20	Bolt, M8x20	10081	2
7	9033887 (inaktiv)	Bolt, M8x25	Bolt, M8x25	10059	2
8	9050231	Bolt, M8x45	Bolt, M8x45	10081	2
9	9033869 (inaktiv)	Bolt, M8x45	Bolt, M8x45	10055	4
10	9050207	Møtrik, M8	Nut, M8	10079	4
11	9057488	Y-formet rør, højre	Right Y shaped support tube	36112	1
12	9057489	Y-formet rør, venstre	Left Y shaped support tube	36111	1
13	9057490	Understøtning, front	Front part support assembly	36022	1
14	9033887 (inaktiv)	Bolt, M8x25	Bolt, M8x25	10059	2
15	9050207	Møtrik, M8	Nut, M8	10079	2
16	N/A	Monteringsplade, vandtank	Mounting plate on water tank	36051	1
17	N/A	Gummiring, vandtank	Supporting rubber ring under water tank	36054	2
18	9050231	Bolt, M8x20	Bolt, M8x20	10081	2
19	N/A	Ramme, front - nedre	Front bottom guard	36113	1
20	N/A	Beslag	Bracket	36119	1
21	9050231	Bolt, M8x20	Bolt, M8x20	10081	4
22	9050207	Møtrik, M8	Nut, M8	10079	4
23	9050231	Bolt, M8x20	Bolt, M8x20	10081	4
24	9057491	Kofanger, front	Front bumper	36118	1
25	9050207	Møtrik, M8	Nut, M8	10079	4
26	9057216	Rygstøtte	Backrest	35383	1
26	N/A	Rygstøtte	Backrest (skin type)	35721	1
27	9057217	Rygstøtte, bag	Rear backrest weld assembly	35384	1
28	9050207	Møtrik, M8	Nut, M8	10919	4
29	9033887 (inaktiv)	Bolt, M8x25	Bolt, M8x25	10059	4
30	9050207	Møtrik, M8	Nut, M8	10079	4
31	9034625	Bolt, M6x20	Bolt, M6x20	10110	2

Fig. 27: Motor / engine

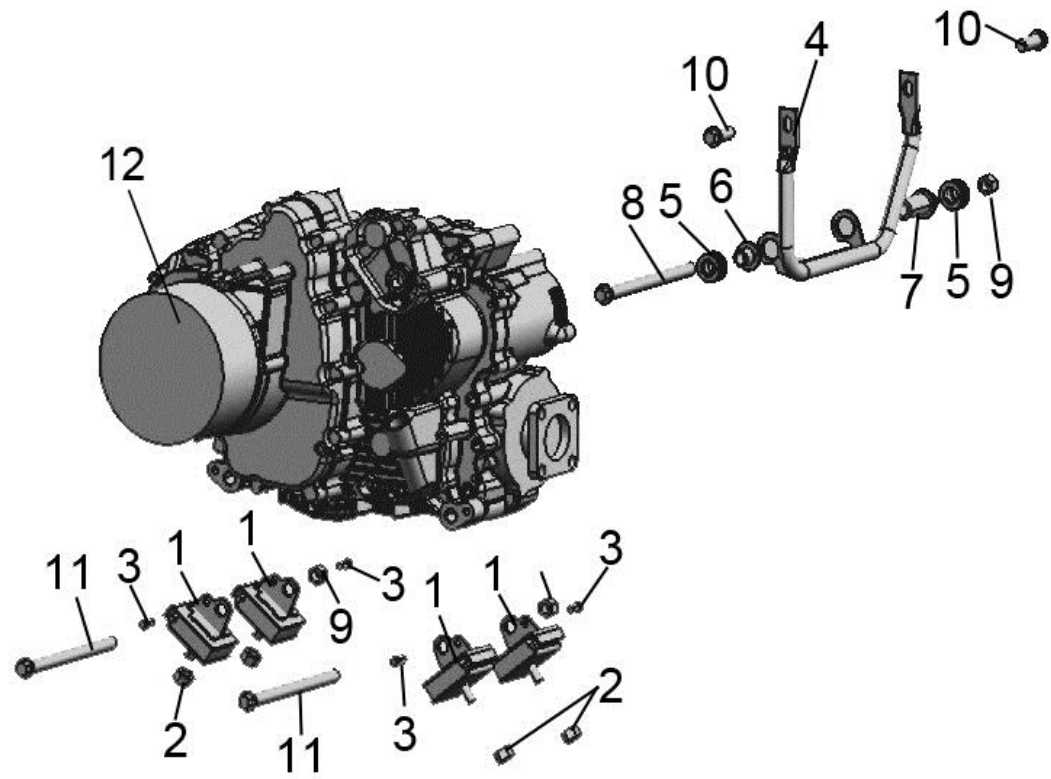


Fig. 27: Motor / engine

Ref. no.	PL nr / art. no.	Varenavn	Art. name	OE no.	Antal / pcs
1	9057218	Bøsning t/motorbeslag	Bushing, engine bracket	35503	4
2	N/A	Møtrik, M10x1,25	Nut, M10x1,25	10015A	4
3	9050220	Bolt, M6x16	Bolt, M6x16	10928	4
4	9057219	Frontbeslag	Front engine, mounting bracket	35504	1
5	9057220	Gummibøsning	Rubber bushing	35505	2
6	N/A	Afstandsstykke, 1	Spacer 1	35506	1
7	N/A	Afstandsstykke, 2	Spacer 2	35507	1
8	9057221	Bolt, M12x1,25x170	Bolt, M12x1,25x170	10929	1
9	9033896	Møtrik, M12x1,25	Nut, M12x1,25	10136	3
10	9050230	Bolt, M8x16	Bolt, M8x16	10183	2
11	9057222	Bolt, M12x1,25x150	Bolt, M12x1,25x150	10930	2
12	N/A	Motor, komplet	Engine assy (bare machine)	35524e	1

Fig. 28: Gearkasse, front / gearbox, front

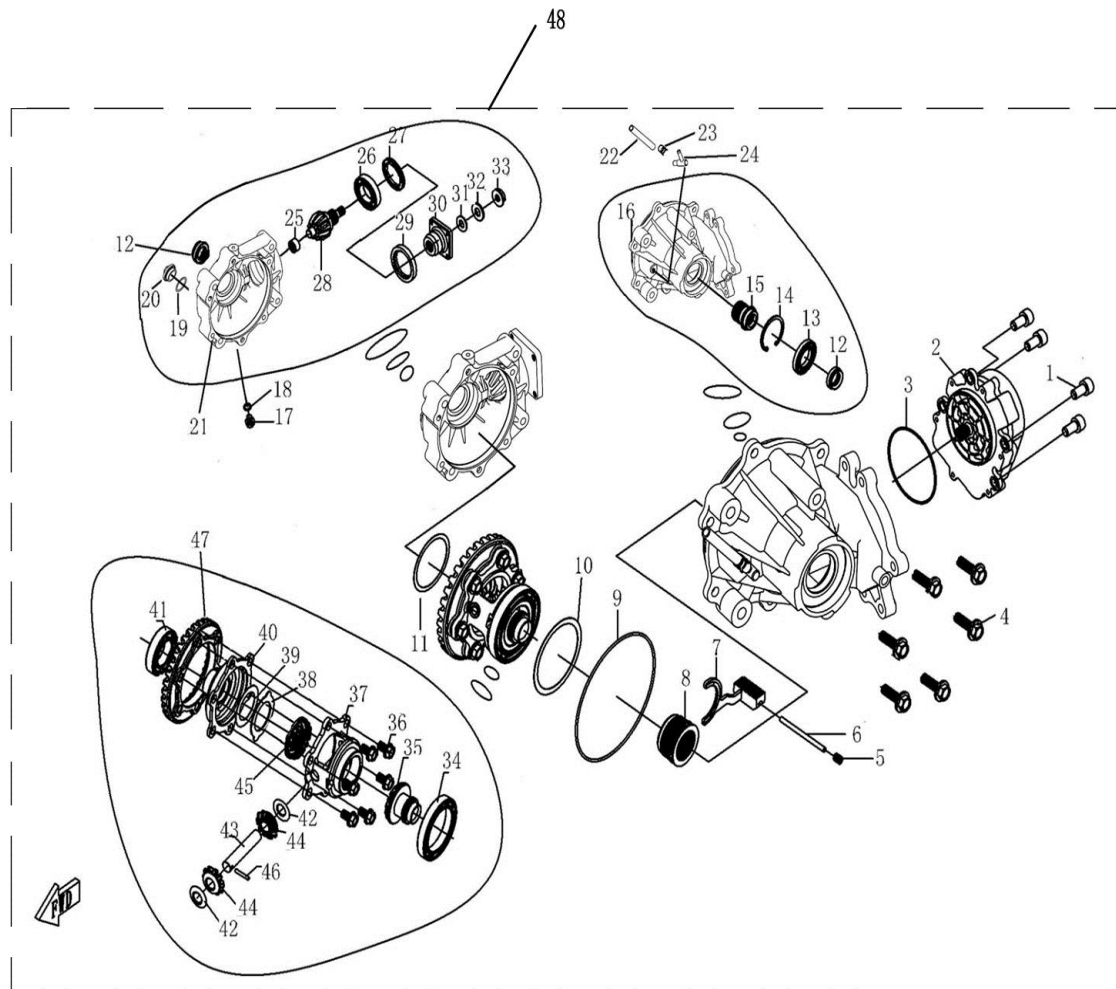




Fig. 28: Gearkasse, front / gearbox, front

Ref. no.	PL nr / art. no.	Varenavn	Art. name	OE no.	Antal / pcs
1	N/A	Skrue	Screw	35391	4
2	9057224	Gear, motor	Gear motor	35388	1
3	9057225	O-ring, Ø81,2x1,9	O-ring, Ø81,2x1,9	35389	1
4	9033887 (inaktiv)	Bolt, M8x25	Bolt, M8x25	10059	6
5	N/A	Skrue	Screw	10954	1
6	N/A	Stift	Pin shaft	10957	1
7	N/A	Skiftegaffel	Shift fork	26314	1
8	N/A	Kobling	Drive clutch	26315	1
9	N/A	O-ring, Ø141x2,4	O-Ring Ø141x2.4	35401	1
10	N/A	Justerbar shim, 83x71	Adj. shim (83x71)	26322	
11	N/A	Justerbar shim, 61x48	Adj. shim (61x48)	26323	
12	N/A	Olie pakring	Oil seal	35410	2
13	N/A	Leje, 16007	Bearing 16007	10960	1
14	N/A	Holder	Retainer 62	35412	1
15	N/A	Cover, kobling	Drive clutch cover	26316	1
16	N/A	Cover, front aksel	Case cover, front axle	26321	1
17	N/A	Bolt	Drain bolt	10953	1
18	N/A	Skive	Washer	73021	1
19	N/A	O-ring, Ø30,5x3	O-ring, Ø30,5x3	50082	1
20	9034543 (inaktiv)	Påfyldningsprop	Fill plug	24305	1
21	N/A	Gearkasse, front aksel	Gear case, front axle	26320	1
22	9033871 (inaktiv)	Udluftningsslange	Breather pipe	21111	1
23	N/A	Clip	Clip	25107	1
24	9034516 (inaktiv)	Udluftningsventil	Hose fitting	21112	1
25	9057238	Nåleleje	Needle bearing	35429	1
26	9057236	Leje, 6007	Bearing 6007	35424	1
27	N/A	Hus f/leje	Bearing retainer	26317	1
28	N/A	Tandhjul	Bevel gear - driving	26328	1
29	9057235	Pakdåse, 48x65x9	Oil seal	35423	1
30	N/A	Forbindelsesled	Coupler	26330	1
31	9057237	O-ring, 14x6,8	O-Ring	35428	1
32	N/A	Møtrikskive	Nut washer	26324	1
33	N/A	Møtrik	Nut	26318	1
34	N/A	Leje, 61912	Bearing 61912	10959	1

35	N/A	Tandhjul	Drive gear	35434	1
36	N/A	Bolt	Bolt	26331	6
37	N/A	Beslag, differentiale	Bracket, differential	26332	1
38	N/A	Shim	Shim	26326	1
39	N/A	Skive	Washer	26325	1
40	N/A	Topbeslag, differentiale	Top bracket, differential gear	26334	1
41	N/A	Leje, 6007	Bearing 6007	35424	1
42	N/A	Ring	Wearing ring	26327	2
43	N/A	Gear aksel	Gear shaft (center), differential	26333	1
44	N/A	Gear, differnetiale	Gear (center), differential	35437	2
45	N/A	Tandhjul	Driven gear	35440	1
46	N/A	Stift	Pin	10956	1
47	N/A	Tandhjul	Bevel gear - driven	26329	1
48	N/A	Gearkasse, front - assy	Front gearbox, assy	26319	1



Fig. 29: Gearkasse, bag / gearbox, rear

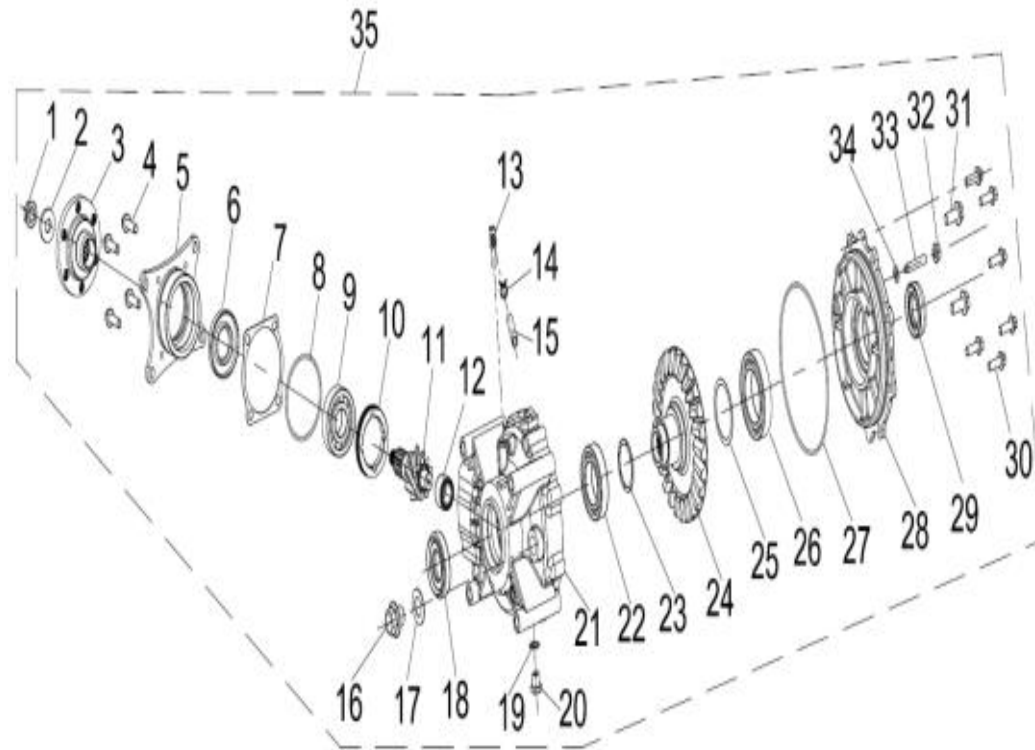


Fig. 29: Gearkasse, bag / gearbox, rear

Ref. no.	PL nr / art. no.	Varenavn	Art. name	OE no.	Antal / pcs
1	N/A	Møtrik, M12x1,25	Nut, M12x1,25	35473	1
2	N/A	Skive, 12,5x30x4	Washer, 12,5x30x4	26309	1
3	9057240	Forbindelsesled, bagaksel	Coupler, rear axle	35474	1
4	9050232	Bolt, M8x30	Bolt, M8x30	10078	4
5	N/A	Hus f/tandhjul	Bevel gear bearing housing	26304	1
6	9057241	Pakdåse, Ø35xØ61x9	Oil seal, Ø35xØ61x9	35471	1
7	N/A	Justerbar shim	Adj. shim	26308	
8	9057242	O-ring, 69x3	O-ring, 69x3	26311	1
9	N/A	Leje, 6305	Bearing, 6305	35468	1
10	N/A	Holder f/leje, M64x1,5x10	Bearing retainer, M64x1,5x10	26310	1
11	9057243	Spidshjul, komplet	Active bevel gear assembly	26313	1
12	9057244	Nåleleje	Needle bearing	35465	1
13	9034516 (inaktiv)	Udluftningsventil	Vent nozzle	21112	1
14	N/A	Clamps	Clamps	25107	1
15	9033871 (inaktiv)	Udluftningsslange	Vent pipe	21111	1
16	N/A	Bolt, M18x1,25	Bolt, M18x1,25	83179	1
17	N/A	Skive	Washer	83180	1
18	9057245	Pakdåse, 30x60x15	Oil seal, 30x60x15	26303	1
19	N/A	Skive	Washer	83462	1
20	N/A	6-kantet bolt	Hexagon head bolt	83010	1
21	N/A	Bakgear hus	Rear gear case	26312	1
22	9057246	Leje, 6008	Bearing, 6008	10958	1
23	N/A	Justerbar shim, 48x40,3	Adj. shim, 48x40,3	26305	
24	N/A	Tandhjul	Drive bevel gear assembly	26307	1
25	N/A	Justerbar shim, 60,5x50,3	Adj. shim, 60,5x50,3	26306	
26	9057247	Leje, 6010	Bearing, 6010	10569	1
27	9057248	O-ring, 151x3	O-ring, 151x3	35493	1
28	N/A	Lejehus f/bakgear	Rear gear bearing housing	26301	1
29	9057249	Pakdåse, 30x50x13,5	Oil seal, 30x50x13,5	26302	1
30	9033887 (inaktiv)	Bolt, M8x25	Bolt, M8x25	10059	6
31	N/A	Bolt, M10x25	Bolt, M10x25	35463	2
32	9050207	Møtrik, M8	Nut, M8	35487	1
33	N/A	Skrue, M8x45	Hex screw, M8x45	10955	1
34	N/A	Skive	Washer	43615	1
35	9057250	Bagtøj, komplet	Rear axle, assembly	26300	1

Fig. 30: Hovedcylinder / cylinder head cover

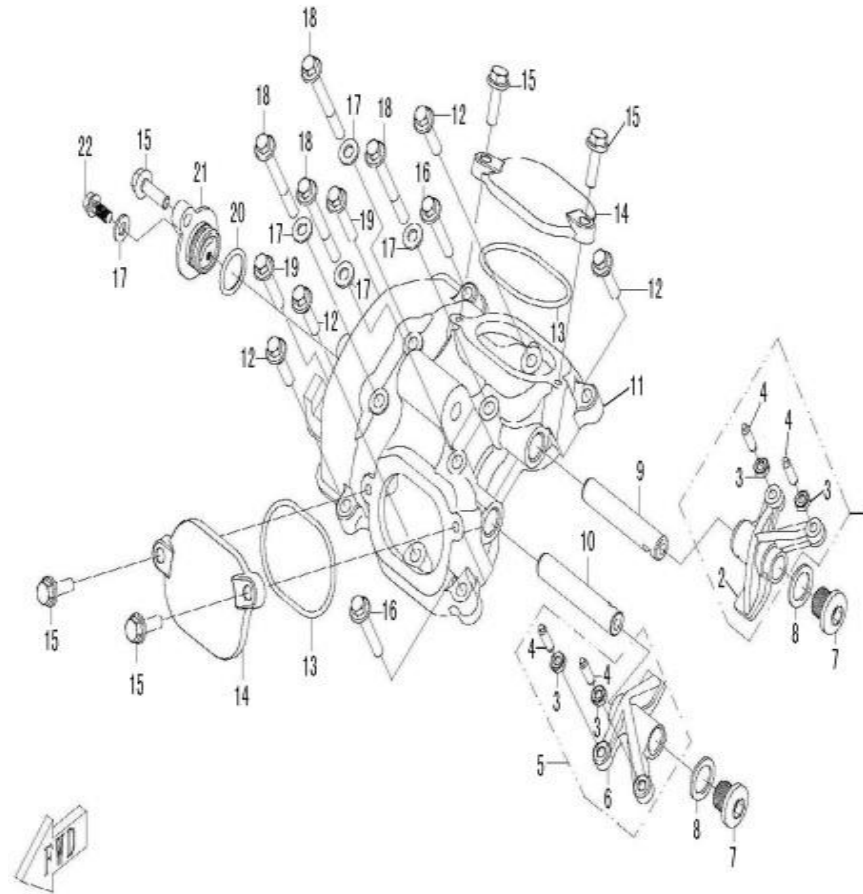


Fig. 30: Hovedcylinder / cylinder head cover

Ref. no.	PL nr / art. no.	Varenavn	Art. name	OE no.	Antal / pcs
1	9057251	Vippearm, indsugning	Intake rocker arm comp	35143	1
2	N/A	Vippearm, ventil	Intake rocker arm valve	35144	1
3	N/A	Justeringsmøtrik	Adjusting nut valve	35146	4
4	N/A	Justeringskrue	Adjusting screw valve	35147	4
5	9057252	Vippearm, udstødning	Exhaust rocker arm comp	35148	1
6	N/A	Vippearm, ventil	Exhaust rocker arm valve	35149	1
7	N/A	Bolt, M14x1,25x12	Bolt, M14x1,25x12	35150	2
8	9057253	Skive	Washer	35215	2
9	N/A	Vippearm, aksel	Intake rocker shaft	35142	1
10	N/A	Vippearm, aksel	Exhaust rocker shaft	35145	1
11	N/A	Cover f/hovedcylinder	Cylinder head cover	35110	1
12	N/A	Bolt, M6x25	Bolt, M6x25	10187	4
13	9057254	Pakning	Gasket	35111	2
14	N/A	Cover f/justeringsventil	Valve adjust cover	35107	2
15	9034625	Bolt, M6x20	Bolt, M6x20	10110	5
16	N/A	Bolt, M6x35	Bolt, M6x35	10186	2
17	N/A	Skive	Washer	35108	5
18	N/A	Bolt, M6x55	Bolt, M6x55	10530	4
19	9050222	Bolt, M6x30	Bolt, M6x30	10182	2
20	9057255	O-ring, 18x2,4	O-ring, 18x2,4	35113	1
21	9057256	Hætte	Seal cover	35112	1
22	9034420	Bolt, M6x12	Bolt, M6x12	10140	1

Fig. 31: Hovedcylinder / cylinder head

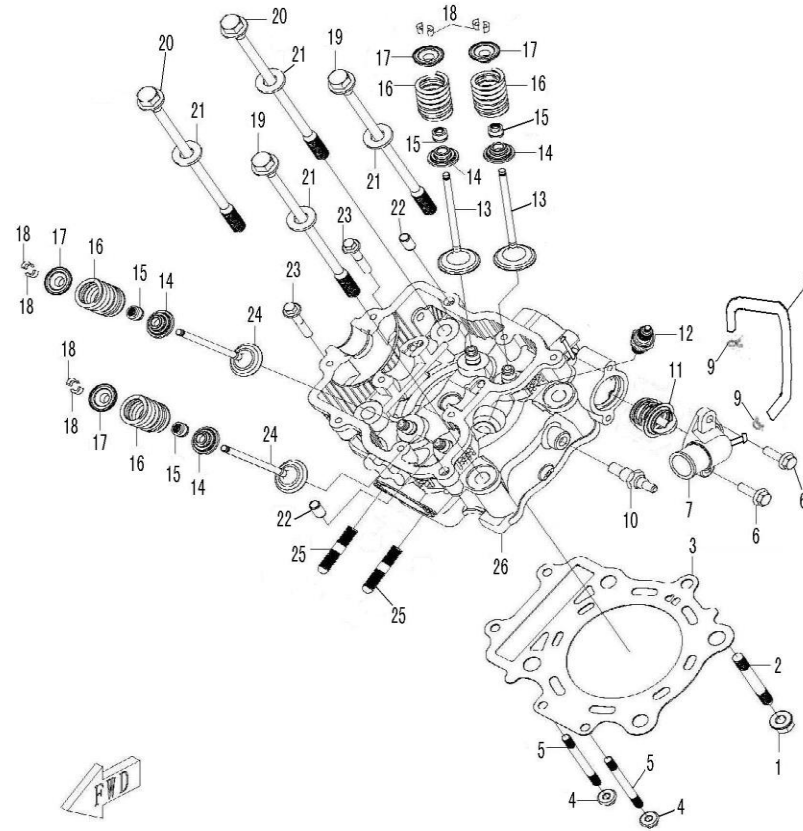




Fig. 31: Hovedcylinder / cylinder head

Ref. no.	PL nr / art. no.	Varenavn	Art. name	OE no.	Antal / pcs
1	N/A	Møtrik, M8	Thrust nut, M8	10067	1
2	N/A	Stift, M8x68	Stud, M8x68	35097	1
3	9057257	Toppakning	Gasket, cylinder head	35106	1
4	9050206	Møtrik, M6	Thrust nut, M6	10004	2
5	N/A	Stift, M6x72	Stud, M6x72	35098	2
6	N/A	Bolt, M6x22	Bolt, M6x22	10278	2
7	9057258	Samlestykke	Water outlet joint, cylinder head	35103	1
8	9057259	Rør	Pipe, cylinder head	35104	1
9	N/A	Clip, 7,5	Clip, 7,5	35109	2
10	9057492	Temperaturføler, vand	Water temperature sensor	35095e	1
11	9057260	Termostat	Thermostat	35171	1
12	9057261	Tændrør, NGK DPR7EA-9	Sparkplug DPR7EA-9 (NGK)	35105	1
13	9057262	Indsugningsventil	Intake valve	35135	2
14	9057263	Hus f/fjederventil	Seat spring valve	35137	4
15	9057264	Hus f/ventilstamme	Seat valve stem	35140	4
16	9057265	Fjederventil	Spring valve	35136	4
17	9057266	Holder t/fjederventil	Retainer, spring valve	35138	4
18	9057267	Ventilsplit	Cotter valve	35139	8
19	9057268	Bolt f/cylinder, M10x1,25x190	Cylinder bolt, M10x1,25x190	35100	2
20	9057269	Bolt f/cylinder, M10x1,25x200	Cylinder bolt, M10x1,25x200	35101	2
21	9057270	Skive f/cylinder	Washer, cylinder bolt	35102	4
22	N/A	Styretap, 8x14	Dowel pin, 8x14	50076	2
23	N/A	Bolt, M6x35	Bolt, M6x35	10186	2
24	9057271	Udsugningsventil	Exhaust valve	35141	2
25	N/A	Stift, M8x42	Stud, M8x42	35099	2
26	9057493	Cylinderhoved	Cylinder head	35096e	1

Fig. 32: Knastaksel / camshaft

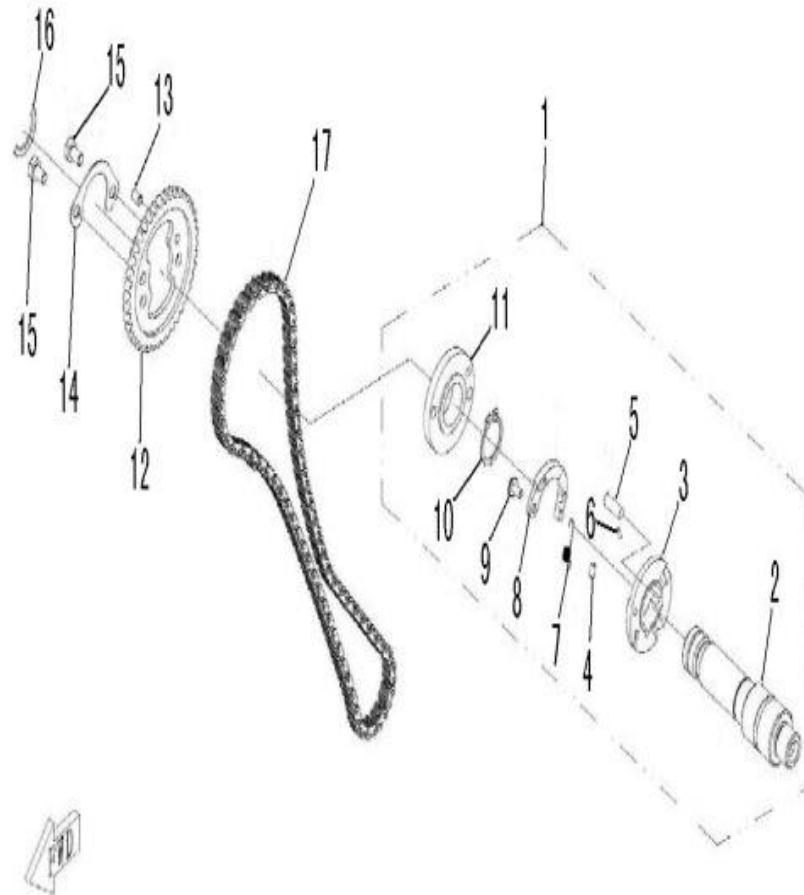


Fig. 32: Knastaksel / camshaft

Ref. no.	PL nr / art. no.	Varenavn	Art. name	OE no.	Antal / pcs
1	9057274	Knastaksel, komplet	Camshaft, assy	35156	1
2	N/A	Knastaksel	Camshaft	35151	1
3	N/A	Begrænser	Limit cam	35168	1
4	N/A	Styretap, dekompression	Dowel pin, decompressor	35167	1
5	N/A	Dekompression	Decompressor cam	35170	1
6	N/A	Aksel	Deflector rod	35169	1
7	N/A	Fjeder, dekompression	Decompressor spring	35164	1
8	N/A	Vippearm, dekompr.	Decompressor rocker arm	35165	1
9	N/A	Vippearm, dekompr., stempel	Decompressor rocker arm wrist	35166	1
10	N/A	Låsering 22	Retainer 22	10841	1
11	N/A	Flange, knastaksel	Flange, camshaft	35155	1
12	9057275	Tandhjul, knastaksel	Timing chain	35154	1
13	N/A	Styretap, fjeder	Dowel pin, timing spring	10835	1
14	N/A	Låsering	Retainer	35153	1
15	N/A	Bolt, M6x10	Bolt, M6x10	10828	2
16	N/A	Afstandsstykke, knastaksel	Camshaft spacer	35152	1
17	9057276	Kæde, knastaksel	Timing chain	35163	1

Fig. 33: Cylinder / cylinder

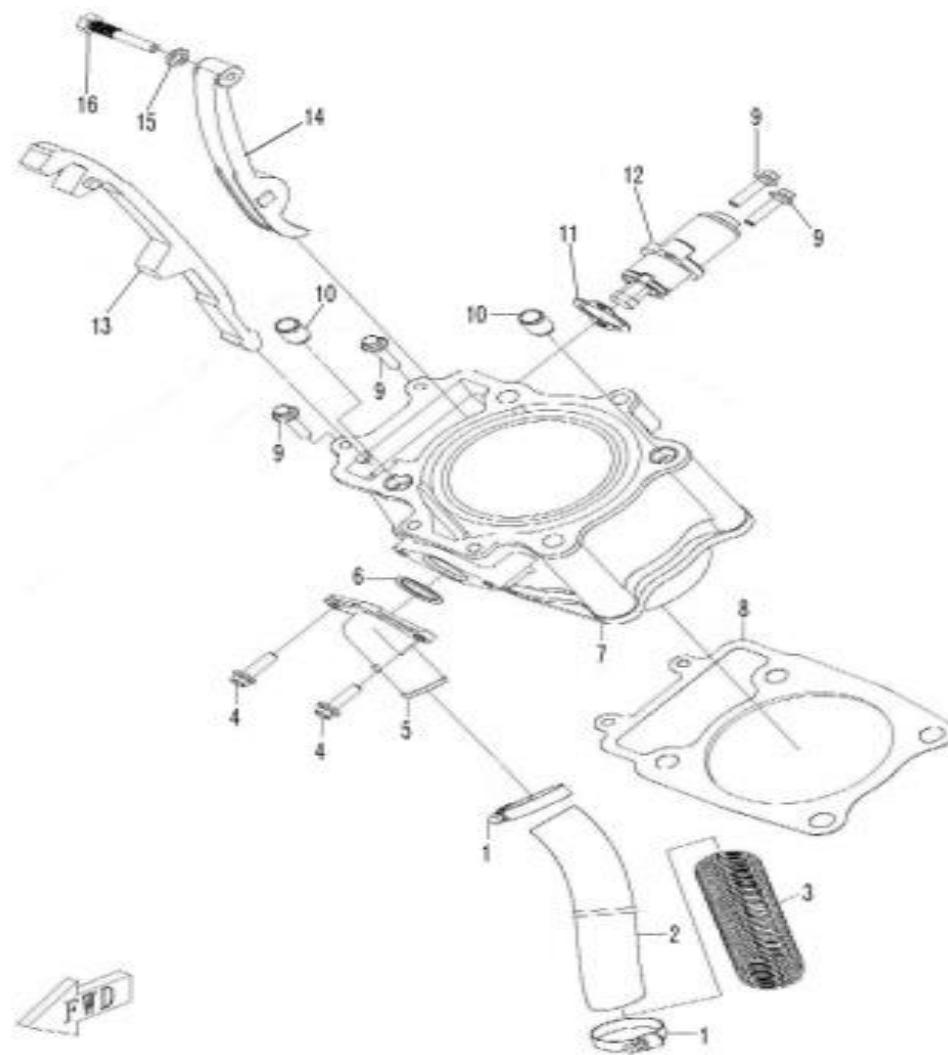


Fig. 33: Cylinder / cylinder

Ref. no.	PL nr / art. no.	Varenavn	Art. name	OE no.	Antal / pcs
1	N/A	Clamp, 20/32	Clamp, 20/32	35343	2
2	9057277	Rør, tilgang	Water inlet hose	35116	1
3	9057278	Manchet	Sleeve, waterhose	35117	1
4	N/A	Bolt, M6x22	Bolt, M6x22	10278	2
5	9057279	Samling	Joint, water inlet	35114	1
6	9057280	O-ring, 24x2,5	O-ring, 24x2,5	35115	1
7	9057281	Cylinder	Cylinder	35119	1
8	9057282	Cylinderpakning	Gasket, cylinder	35120	1
9	N/A	Bolt, M6x25	Bolt, M6x25	10187	4
10	N/A	Styretap, 13x18	Dowel pin, 13x18	35118	2
11	9057283	Pakning, strammer	Gasket, tensioner	35158	1
12	9057284	Kædestrammer	Tensioner	35157	1
13	9057285	Kædestyr	Timing chain guide	35159	1
14	9057286	Kædestyr, plade	Tensioner plate	35160	1
15	N/A	Skive	Washer	35162	1
16	N/A	Bolt, strammer	Bolt, tensioner plate	35161	1

Fig. 34: Krumtapaksel / crankshaft

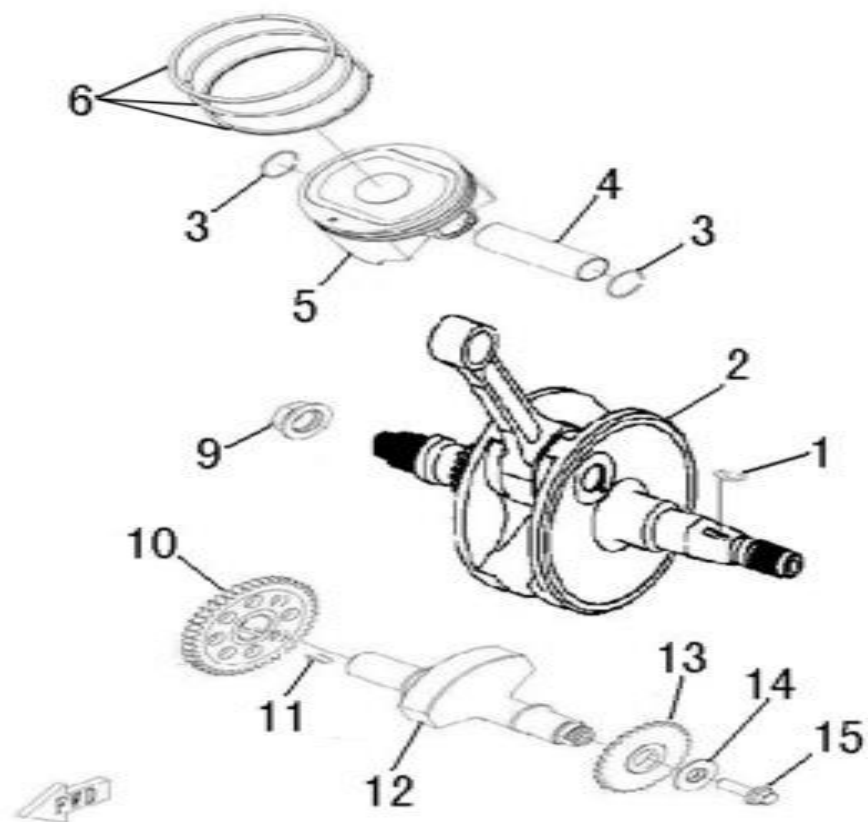


Fig. 34: Krumtapaksel / crankshaft

Ref. no.	PL nr / art. no.	Varenavn	Art. name	OE no.	Antal / pcs
1	9057287	Kile (halvmåne)	Key	35123	1
2	N/A	Krumtapaksel	Crankshaft	35121	1
3	9057288	Clip, stempel pin	Clip, piston pin	35129	2
4	9057289	Stempel pin	Piston pin	35128	1
5	9057290	Stempel	Piston	35127	1
6	9057291	Stempelring	Piston ring	35124	1
9	9057292	Møtrik, M18x1,5 (L)	Nut, M18x1,5 (L)	35122	1
10	9057293	Stabilisator, gear	Gear, balancer shaft	35131	1
11	9057295	Kile (halvmåne)	Key	35133	1
12	9057296	Stabilisator	Balancer shaft	35130	1
13	9057297	Tandhjul, stabilisator	Sprocket, balancer shaft	35132	1
14	N/A	Skive, 10,2x28x2	Washer, 10,2x28x2	35134	1
15	9033910 (inaktiv)	Bolt, M10x25	Bolt, M10x25	10028	1

Fig. 35: Krumtapaksel (ny model) / crankshaft (new model)

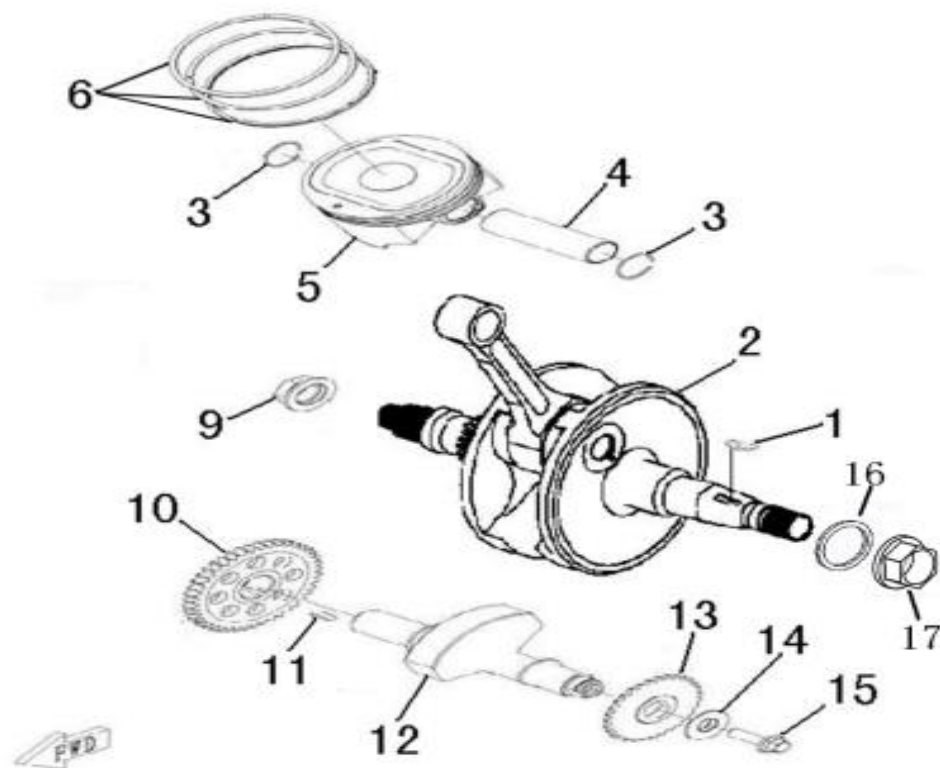




Fig. 35: Krumtapaksel (ny model) / crankshaft (new model)

Ref. no.	PL nr / art. no.	Varenavn	Art. name	OE no.	Antal / pcs
1	N/A	Kile (halvmåne)	Key	35123	1
2	N/A	Krumtapaksel (ny model)	Crankshaft (new model)	35121a	1
3	N/A	Clip, stempel pin	Clip, piston pin	35129	2
4	N/A	Stempel pin	Piston pin	35128	1
5	N/A	Stempel	Piston	35127	1
6	N/A	Stempelring	Piston ring	35124	1
9	N/A	Møtrik, M18x1,5 (L)	Nut, M18x1,5 (L)	35122	1
10	N/A	Tandhjul, gear	GEAR, BALANCER SHAFT	35131	1
11	N/A	Kile (halvmåne)	Key	35133	1
12	N/A	Stabilisator aksel	Balancer shaft	35130	1
13	N/A	Tandhjul	Sprocket, balancer shaft	35132	1
14	N/A	Skive, 10,2x28x2	Washer, 10,2x28x2	35134	1
15	9033910 (inaktiv)	Bolt, M10x25	Bolt, M10x25	10028	1
16	N/A	Skive	Washer	71689	1
17	N/A	Møtrik, M16x1,5	Nut, M16x1,5	71688	1

Fig. 36: Venstre krumtaphus / left crankcase

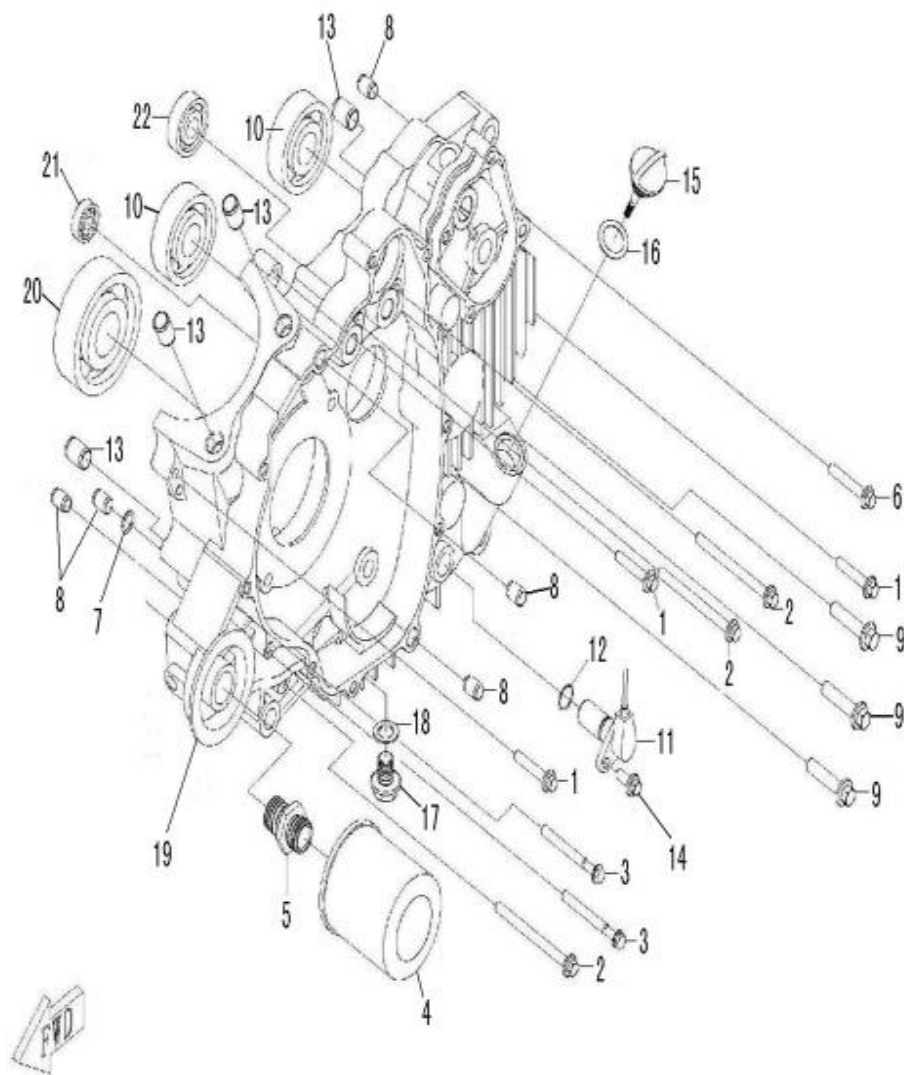


Fig. 36: Venstre krumtaphus / left crankcase

Ref. no.	PL nr / art. no.	Varenavn	Art. name	OE no.	Antal / pcs
1	N/A	Bolt, M6x35	Bolt, M6x35	10186	3
2	9050227	Bolt, M6x80	Bolt, M6x80	10827	3
3	9050225	Bolt, M6x60	Bolt, M6x60	10005	2
4	9057298	Oliefilter	Oil filter	35223	1
5	9057299	Bolt f/oliefilter	Bolt, oil filter	35213	1
6	9050223	Bolt, M6x40	Bolt, M6x40	10177	1
7	9057300	O-ring, 10x1,8	O-ring, 10x1,8	10843	1
8	N/A	Styretap, 10x4	Dowel pin, 10x4	35094	5
9	N/A	Bolt, M8x38	Bolt, M8x38	35221	3
10	N/A	Leje, 6303C3	Bearing, 6303C3	10846	2
11	9057301	Fartsensor	Speed sensor	35337	1
12	9057302	O-ring, 14x1,44	O-ring, 14x1,44	35225	1
13	N/A	Styretap, 13x18	Dowel pin, 13x18	35118	4
14	9050220	Bolt, M6x16	Bolt, M6x16	10189	1
15	9057303	Oliepind	Oil dip rod	35224	1
16	9057304	O-ring, 18x3,55	O-ring, 18x3,55	10844	1
17	9057305	Bolt, M12x1,5	Drain bolt, M12x1,5	50105	1
18	9049183	Bundprop pakning	Washer	1309283	1
19	N/A	Venstre krumtaphus	Left crankcase	35216	1
20	N/A	Leje, 6307	Bearing, 6307	10847	1
21	N/A	Leje, 63/22	Bearing, 63/22	10848	1
22	N/A	Leje, 6202	Bearing, 6202	10849	1

Fig. 37: Højre krumtaphus / right crankcase

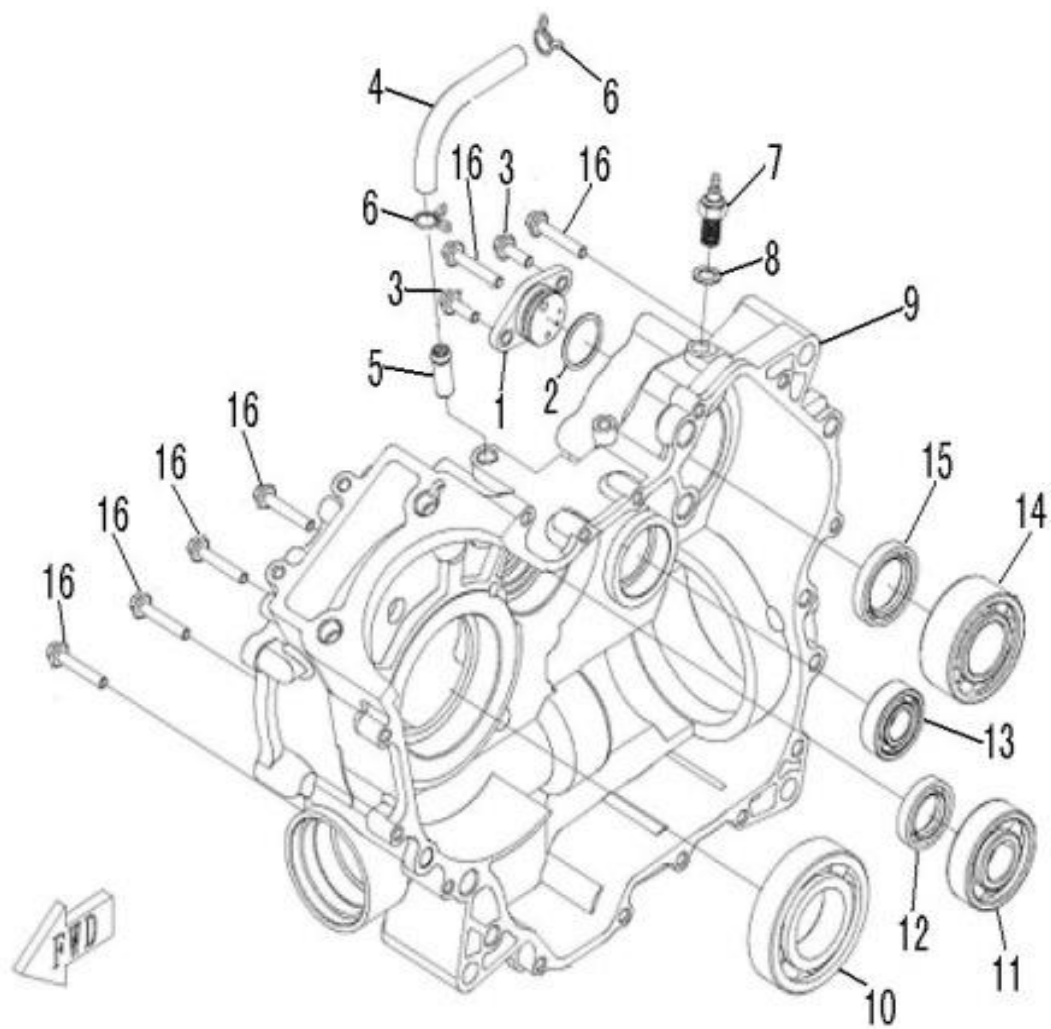


Fig. 37: Højre krumtaphus / right crankcase

Ref. no.	PL nr / art. no.	Varenavn	Art. name	OE no.	Antal / pcs
1	9057306	Gear indikator (sensor)	Gear position sensor	35338	1
2	9057307	O-ring, 26x2,5	O-ring, 26x2,5	35226	1
3	N/A	Bolt, M6x18	Bolt, M6x18	10191	2
4	9057308	Udluftningsslange	Breather hose	35220	1
5	N/A	Samler, udluftningsslange	Joint, breather hose	35219	1
6	N/A	Clamp, A12	Clamp, A12	10845	2
7	9057309	Bakgear indikator	Reverse gear sensor	35339	1
8	N/A	Skive	Washer	35227	1
9	N/A	Højre krumtaphus	Right crankcase	35217	1
10	N/A	Leje, 6208	Bearing 6208	10850	1
11	N/A	Leje, 63/22	Bearing, 63/22	10848	1
12	9057310	Pakdåse, 22x38x7	Oil seal, 22x38x7	35218	1
13	N/A	Leje, 6203RS	Bearing, 6303RS	10851	1
14	N/A	Leje, 5206C3	Bearing, 5206C3	10860	1
15	9057311	Pakdåse, 30x45x8	Oil seal, 30x45x8	35222	1
16	N/A	Bolt, M6x35	Bolt, M6x35	10186	6

Fig. 38: CVT hus / CVT housing

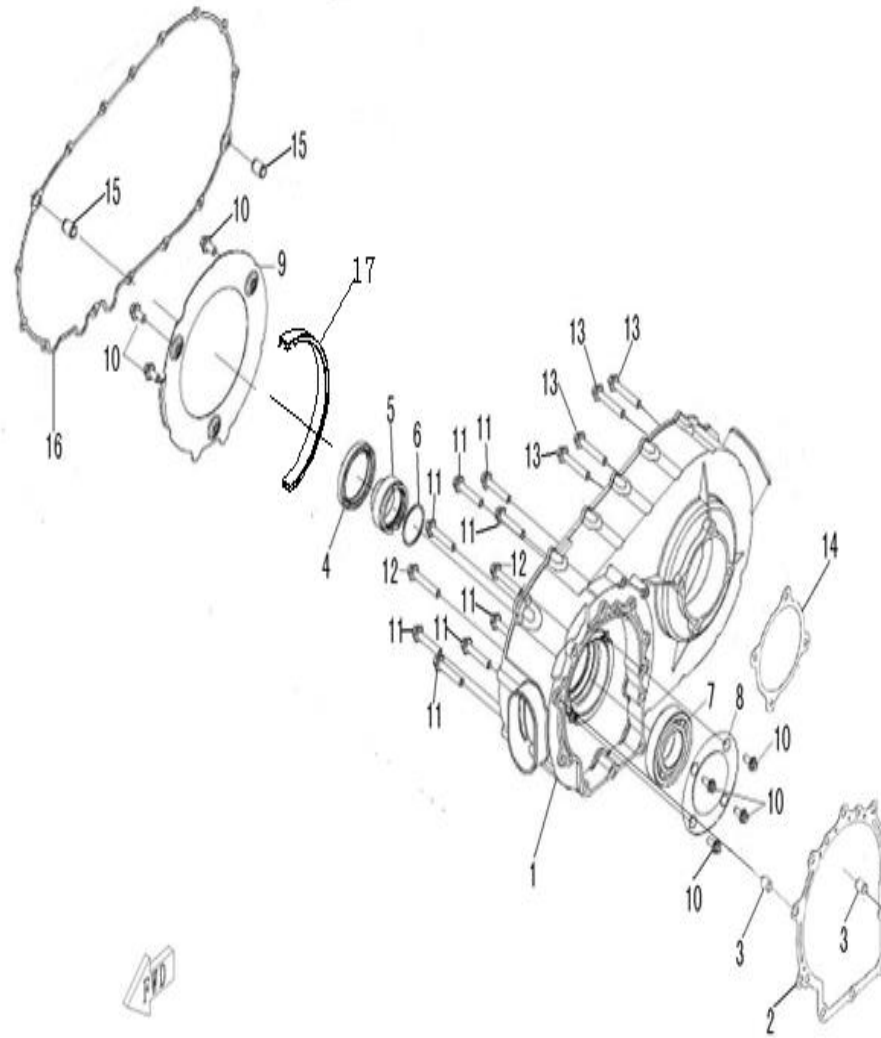


Fig. 38: CVT hus / CVT housing

Ref. no.	PL nr / art. no.	Varenavn	Art. name	OE no.	Antal / pcs
1	9057312	CVT hus	CVT housing	35235	1
2	9057313	Pakning 1, CVT hus	Gasket 1, CVT housing	35238	1
3	N/A	Styretap, 10x14	Dowel pin, 10x14	35094	2
4	9057314	Pakdåse, 54x70x8	Oil seal, 54x70x8	35251	1
5	N/A	Afstandsstykke, drivaksel	Spacer, drive shaft	35228	1
6	9057315	O-ring, 39x2,3	O-ring, 39x2,3	35229	1
7	N/A	Leje, 6208RS	Bearing, 6208RS	10852	1
8	9057316	Holder f/leje	Bearing retainer, CVT	35236	1
9	9057317	Plade, luftindtag	Plate, air intake	35237	1
10	9034420 (inaktiv)	Bolt, M6x12	Bolt, M6x12	10140	7
11	N/A	Bolt, M8x45	Bolt, M8x45	35233	8
12	9050234	Bolt, M8x50	Bolt, M8x50	35232	2
13	N/A	Bolt, M6x25	Bolt, M6x25	10187	4
14	9057318	Pakning 2, CVT hus	Gasket 2, CVT housing	35239	1
15	N/A	Styretap, 13x18	Dowel pin, 13x18	35118	2
16	9057319	Pakning, CVT cover	Gasket, CVT cover	35231	1
17	9057320	Gummistrip	Rubber strip	35533	1

Fig. 39: CVT cover / CVT cover

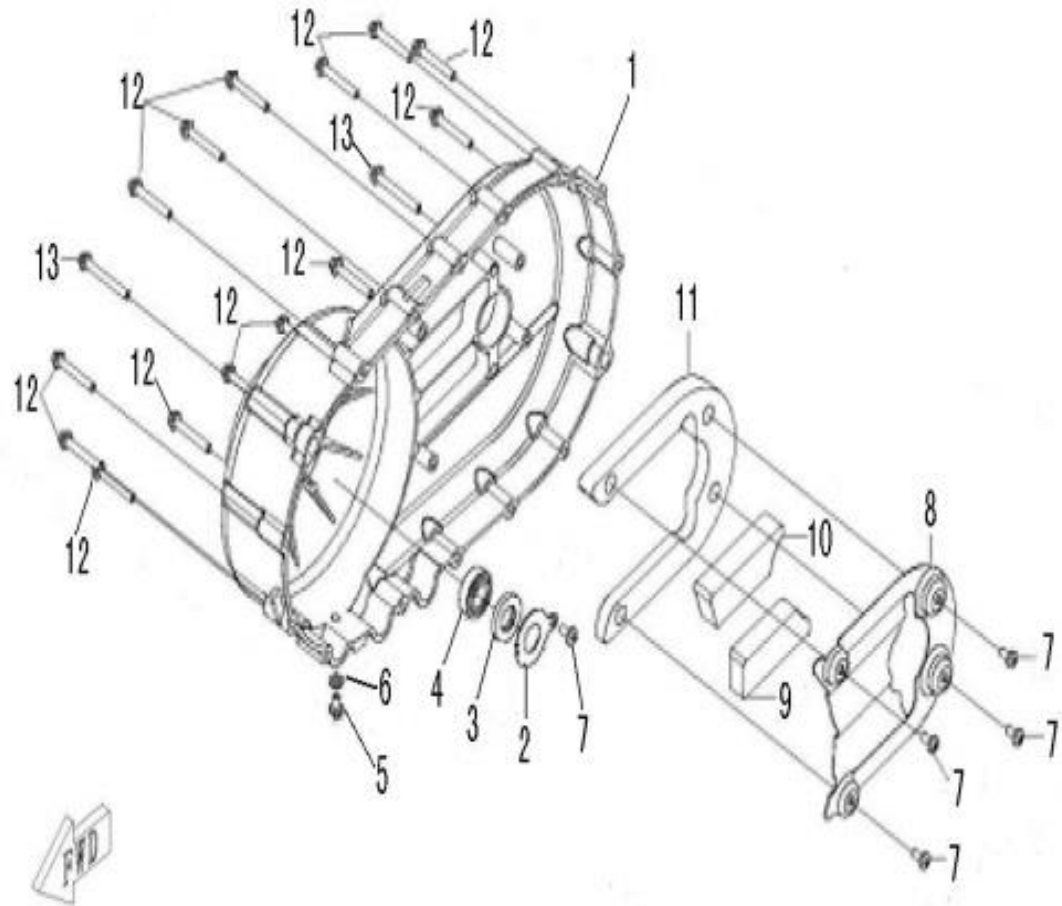




Fig. 39: CVT cover / CVT cover

Ref. no.	PL nr / art. no.	Varenavn	Art. name	OE no.	Antal / pcs
1	9057321	CVT cover	CVT cover	35230	1
2	9057322	Holder f/pakdåse	Limitator, oil seal	35253	1
3	9057323	Pakdåse, 17x35x5	Oil seal, 17x35x5	35252	1
4	N/A	Leje, 6003/P6	Bearing, 6003/P6	10853	1
5	N/A	Bolt, M6x10	Bolt, M6x10	10826	1
6	N/A	Skive	Washer	35108	1
7	9034561 (inaktiv)	Bolt, M6x12	Bolt, M6x12	26262	5
8	9057324	Dæmperplade	Damper plate	35254	1
9	9057325	Gummidæmper 3	Rubber damper 3	35257	1
10	9057326	Gummidæmper 1	Rubber damper 1	35255	1
11	9057327	Gummidæmper 2	Rubber damper 2	35256	1
12	N/A	Bolt, M6x45	Bolt, M6x45	29503	14
13	N/A	Bolt, M6x55	Bolt, M6x55	10530	2

Fig. 40: Venstre krumtaphus cover / left crankcase cover

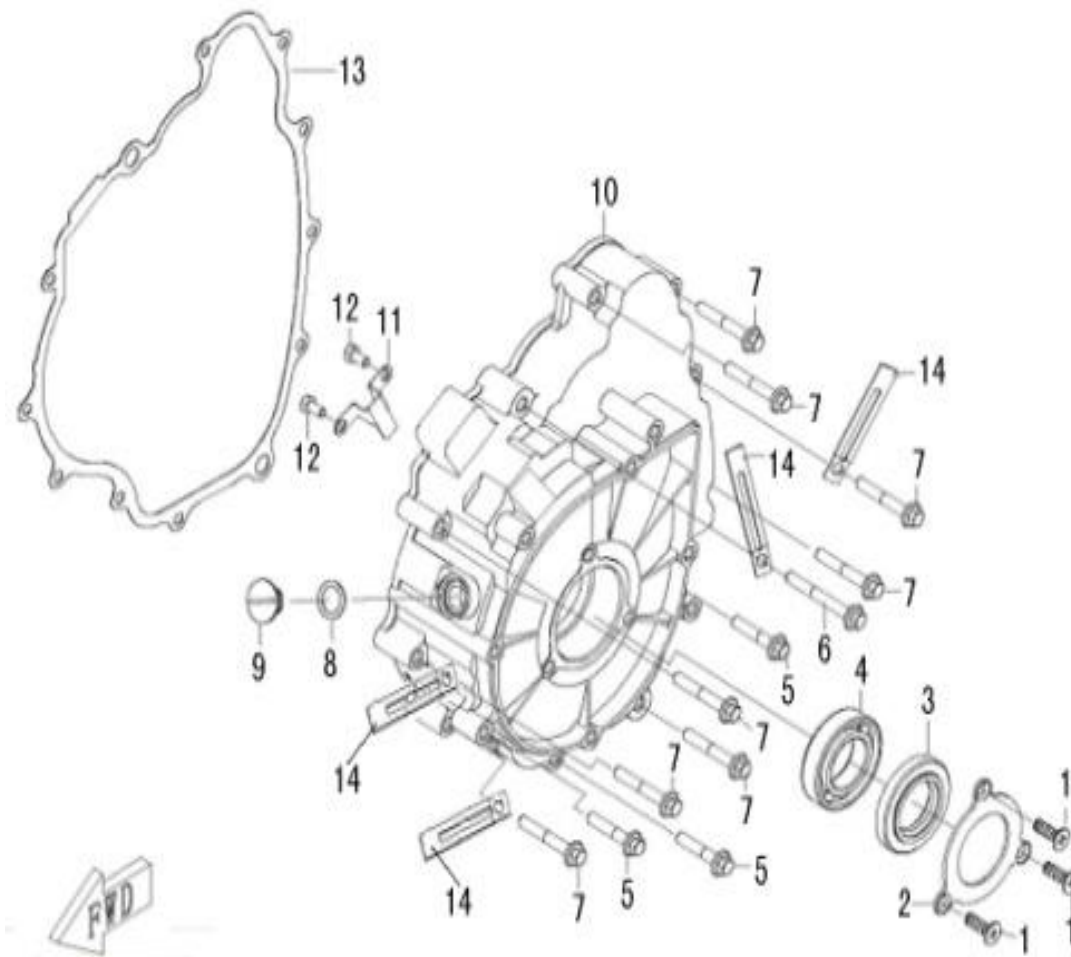


Fig. 40: Venstre krumtaphus cover / left crankcase cover

Ref. no.	PL nr / art. no.	Varenavn	Art. name	OE no.	Antal / pcs
1	N/A	Skrue, M6x10	Screw, M6x10	10832	3
2	N/A	Holder, olie pakring	Holder, oil seal	35245	1
3	9057328	Pakdåse, 28x52x7	Oil seal, 28x52x7	35248	1
4	N/A	Leje, 60/28	Bearing, 60/28	10854	1
5	N/A	Bolt, M6x32	Bolt, M6x32	10329	3
6	9050224	Bolt, M6x50	Bolt, M6x50	10349	1
7	9050223	Bolt, M6x40	Bolt, M6x40	10177	8
8	9057331	O-ring, 12x2,8	O-ring, 12x2,8	35250	1
9	9057332	Prop	Plug, inspection	35249	1
10	N/A	Venstre krumtaphus cover	Left crankcase cover	35234	1
11	N/A	Holder	Lead holder	35246	1
12	N/A	Bolt, M5x10	Bolt, M5x10	10829	2
13	9057329	Pakning, venstre krumtaphus cover	Gasket, left crankcase cover	35244	1
14	N/A	Clamp f/kabel	Cable clamp	35247	4

Fig. 41: Venstre krumtaphus cover, ny / left crankcase cover, new

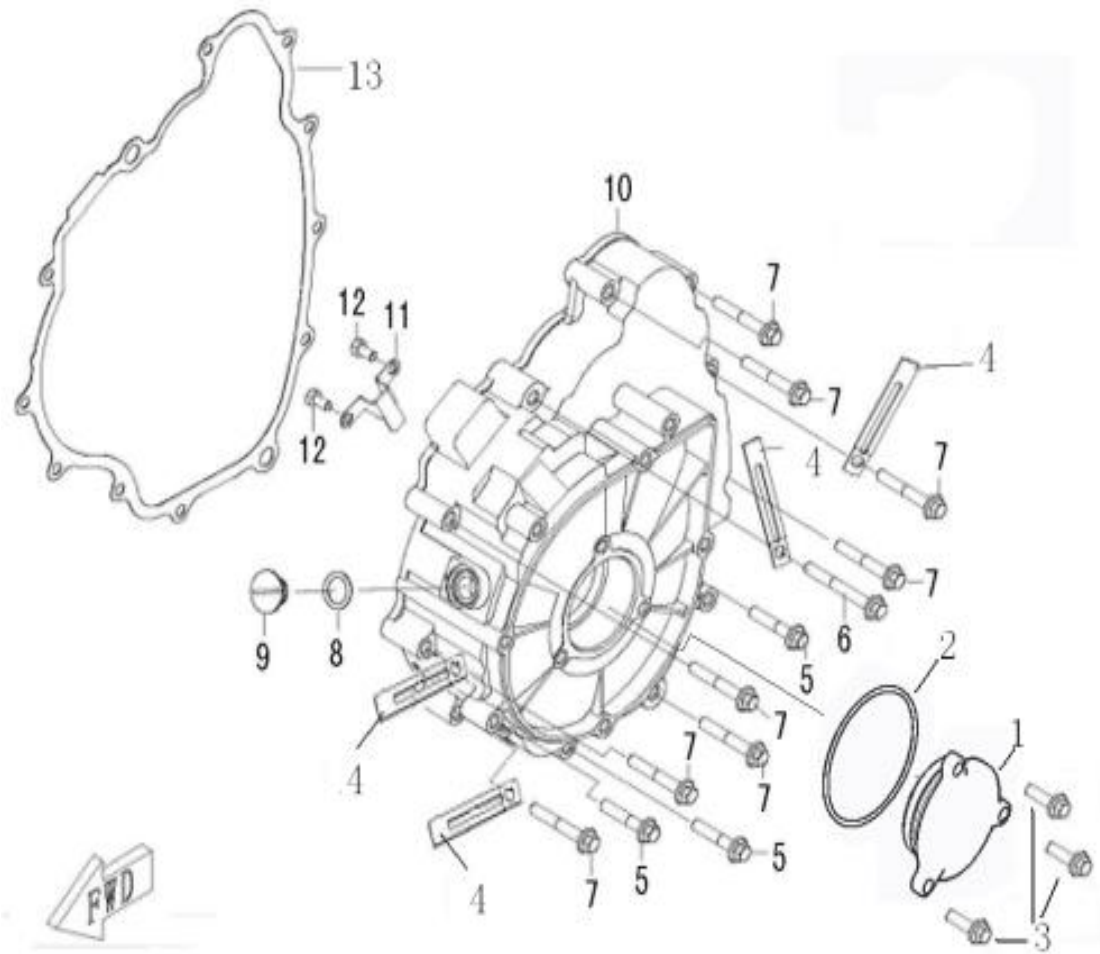


Fig. 41: Venstre krumtaphus cover, ny / left crankcase cover, new

Ref. no.	PL nr / art. no.	Varenavn	Art. name	OE no.	Antal / pcs
1	9057330	Endestykke / hætte	End cap	35537	1
2	9029866	O-ring, 46,5x2,65	O-ring, 46,5x2,65	10039	1
3	9034420 (inaktiv)	Bolt, M6x12	Bolt, M6x12	10140	3
4	N/A	Clamp f/kabel	Cable clamp	35247	4
5	N/A	Bolt, M6x32	Bolt, M6x32	10329	3
6	9050224	Bolt, M6x50	Bolt, M6x50	10349	1
7	9050223	Bolt, M6x40	Bolt, M6x40	10177	8
8	9057331	O-ring, 12x2,8	O-ring, 12x2,8	35250	1
9	9057332	Prop	Plug, inspection	35249	1
10	N/A	Venstre krumtaphus cover	Left crankcase cover	35234	1
11	N/A	Holder	Lead holder	35246	1
12	N/A	Bolt, M5x10	Bolt, M5x10	10829	2
13	9057329	Pakning, venstre krumtaphus cover	Gasket, left crankcase cover	35244	1

Fig. 42: Generator / generator

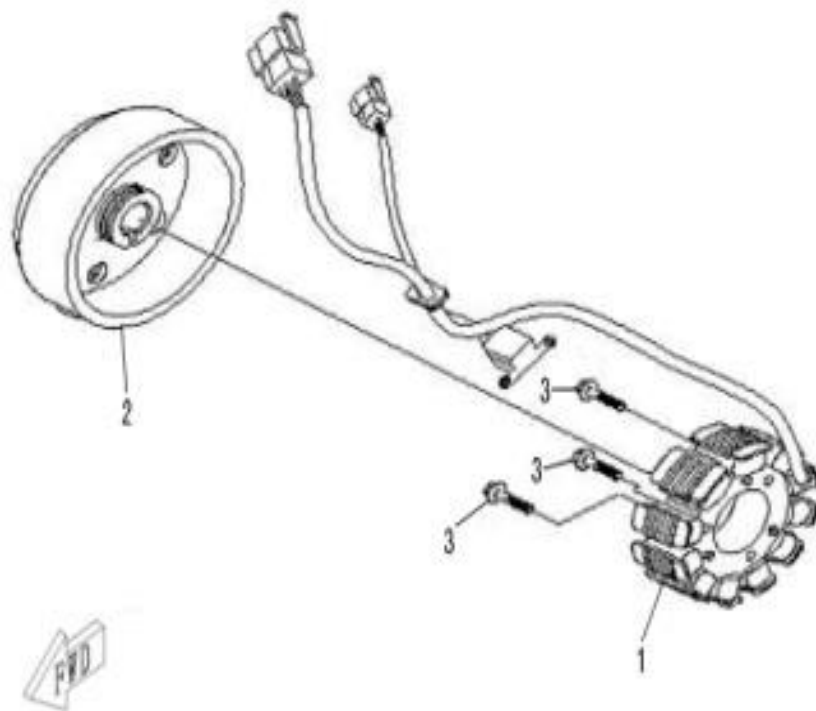


Fig. 42: Generator / generator

Ref. no.	PL nr / art. no.	Varenavn	Art. name	OE no.	Antal / pcs
1	9057494	Stator	Stator assy	35334e	1
2	9057495	Rotor	Rotor assy	35335e	1
3	9050222	Bolt, M6x30	Bolt, M6x30	10182	3

Fig. 43: Starter (elektrisk) / electric starter

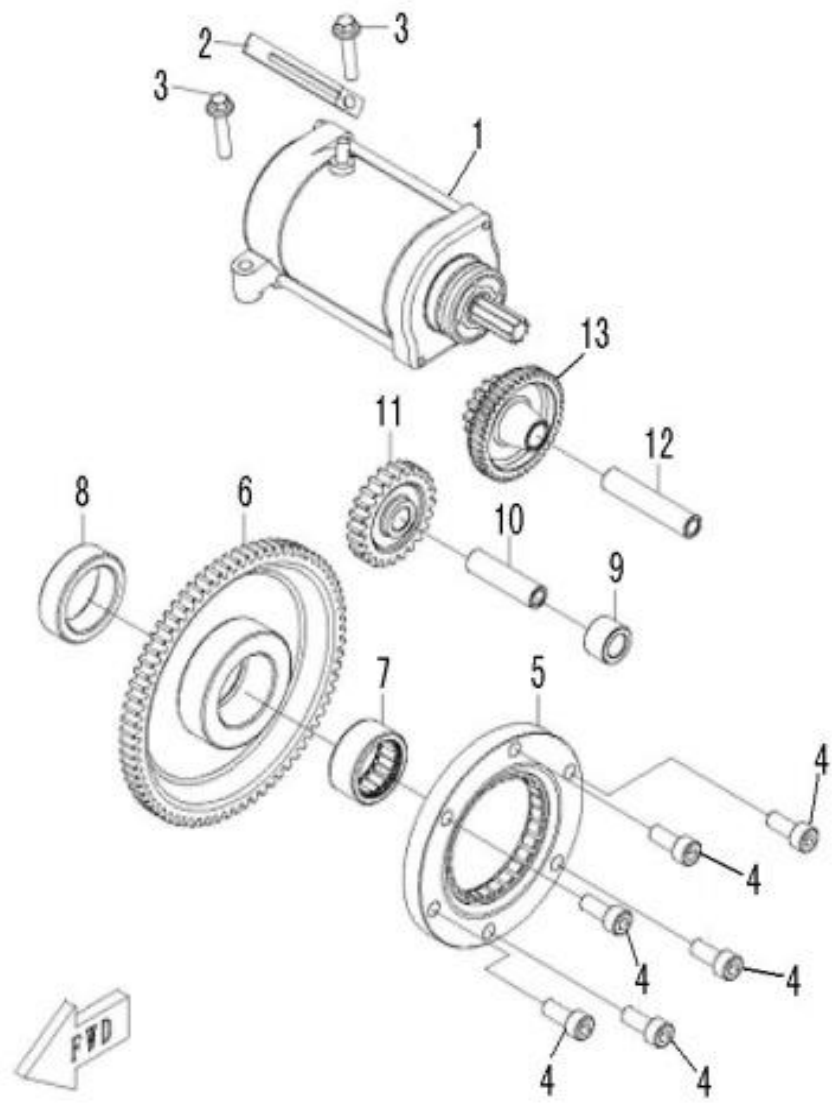




Fig. 43: Starter (elektrisk) / electric starter

Ref. no.	PL nr / art. no.	Varenavn	Art. name	OE no.	Antal / pcs
1	9057335	Start motor	Starting motor	35336	1
2	N/A	Clamp f/kabel	Cable clamp	35247	1
3	9050222	Bolt, M6x30	Bolt, M6x30	10182	2
4	N/A	Skrue, M8x20	Screw, M8x20	10830	6
5	9057336	Friløbsgear	Stater clutch	35265	1
6	9057337	Udgangsgear	Output gear assy	35260	1
7	9057338	Nåleleje, RNA49/22	Needle bearing, RNA49/22	10859	1
8	N/A	Afstandsstykke	Spacer	35259	1
9	N/A	Bøsning, tomgang	Idle gear bushing	35264	1
10	N/A	Aksel, tomgang	Idle gear shaft	35262	1
11	9057339	Mellemhjul	Idle gear	35263	1
12	N/A	Aksel, dobbelt gear	Axle, dual gear	35261	1
13	9057340	Dobbelt gear	Dual gear	35258	1

Fig. 44: Kobling / clutch

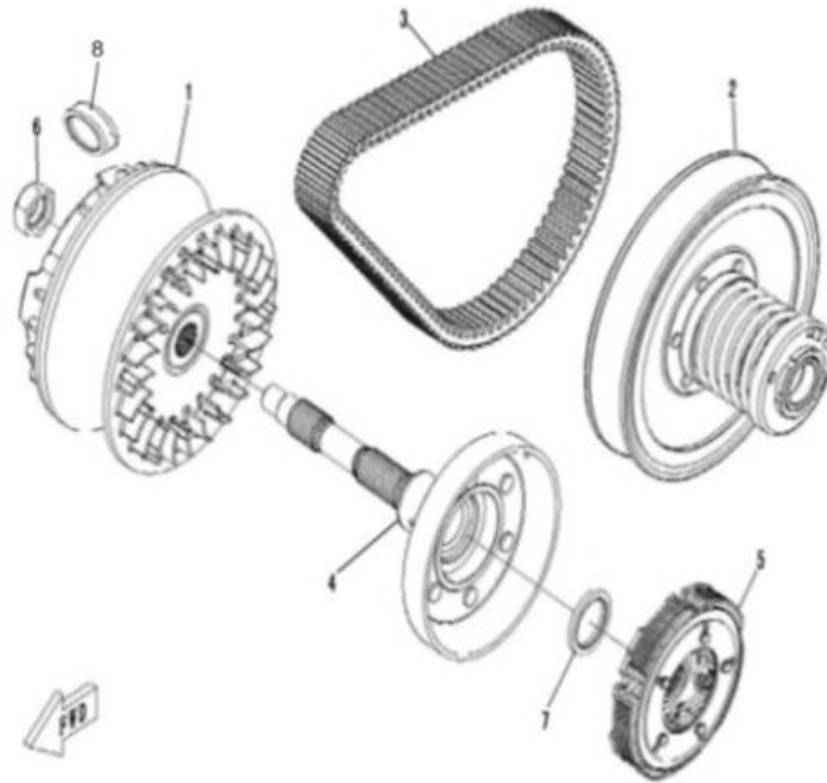


Fig. 44: Kobling / clutch

Ref. no.	PL nr / art. no.	Varenavn	Art. name	OE no.	Antal / pcs
1	9057341	Slyngkobling, variator	Drive assy comp	35298	1
2	N/A	Slyngkobling	Drive assy comp	35299	1
2	9057342	Slyngkobling, variator (R1210)	Drive assy comp (R1210)	35299a	1
3	9057343	Kilerem, variatorrem	V-belt	35297	1
4	9057344	Koblingshus, komplet	Clutch housing assy	35295	1
5	9057345	Slyngkobling	Clutch carrier assy	35296	1
6	9057346	Møtrik, M20x1,5	Nut, M20x1,5	35294	1
7	9057347	Pakdåse, 38x45x4/6	Oil seal, 38x46x4/6	35293	1
8	9057348	Rulle	Roller	35668	8

Fig. 45: Transmission I / transmission I

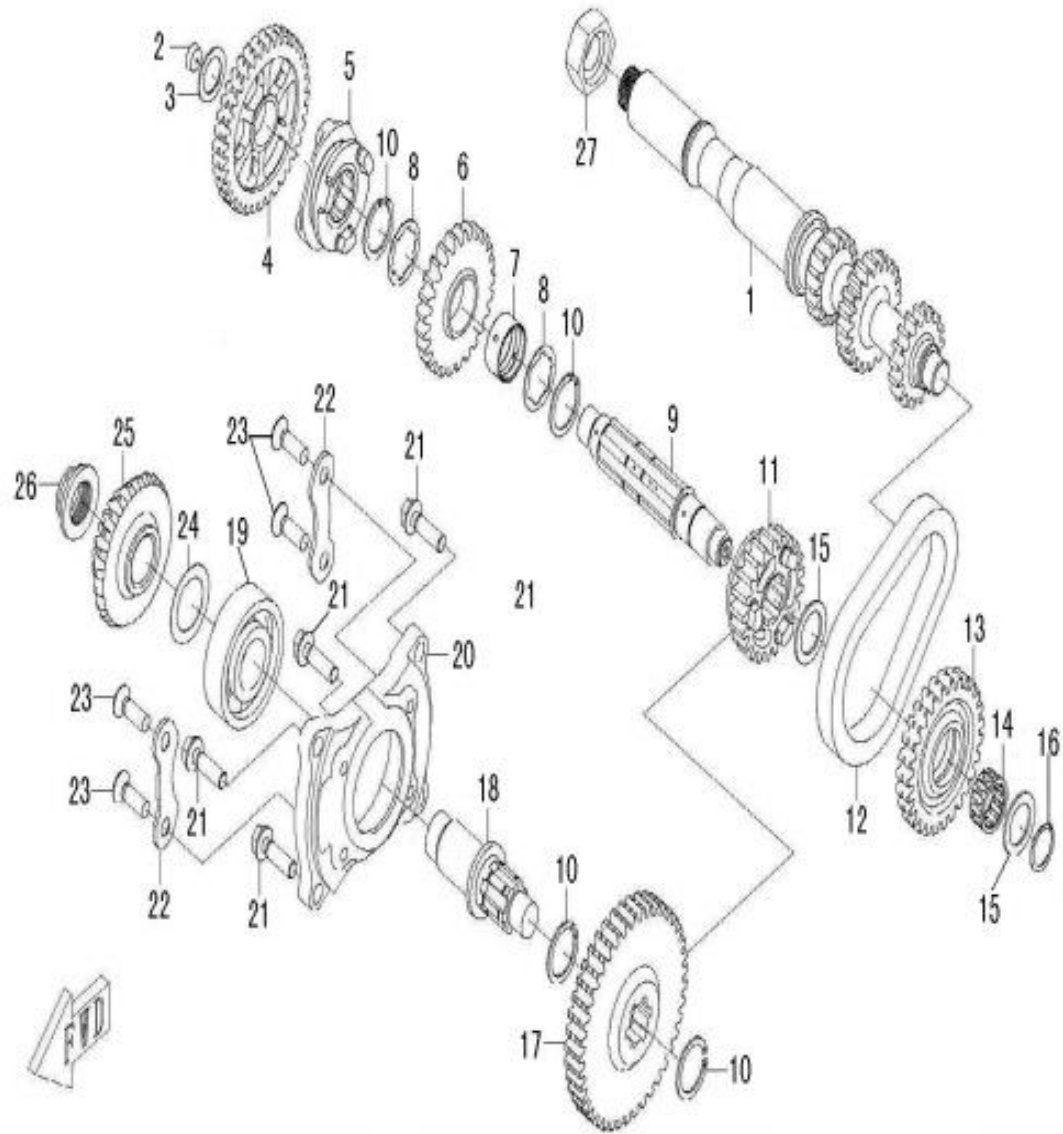


Fig. 45: Transmission I / transmission I

Ref. no.	PL nr / art. no.	Varenavn	Art. name	OE no.	Antal / pcs
1	9057349	Hovedaksel, gearskifte	Main shaft. Gearshift	35320	1
2	9057350	Prop	Bell plug 12	35309	1
3	N/A	Skive, 17.5x26x1	Washer, 17.5x26x1	35307	1
4	9057351	Tandhjul f/lavt gear	Driven gear, low range	35318	1
5	9057352	Bøsning f/gearskifte	Sliding bush, gearshift	35314	1
6	9057533	Tandhjul f/højt gear	Driven gear, high range	35316	1
7	9057354	Bøsning, tandhjul f/højt gear	Bushing, driven gear - high range	35317	1
8	9057355	Skive	Spline washer	35310	2
9	9057356	Aksel, tandhjul	Driven shaft	35315	1
10	9057357	Låsering 25	Circlip 25	35311	2
11	9057358	Tandhjul, udgangsgear	Driven output gear	35308	1
12	9057359	Kæde, bakgear	Chain, reverse gear	35313	1
13	9057360	Kædehjul, bakgear	Sprocket, reverse gear	35319	1
14	9057361	Nåleleje, K20x26x12	Needle bearing, K20x26s12	10858	1
15	N/A	Skive, 20.5x30x1.5	Washer, 20.5x30x1.5	35312	2
16	9033806 (inaktiv)	Låsering 20	Circlip 20	24407	1
17	9057362	Tandhjul, udgangsgear	Output, driven gear	35271	1
18	9057363	Aksel, spidshjul	Drive bevel gear shaft	35276	1
19	N/A	Leje, 6305C3	Bearing, 6305C3	10855	1
20	N/A	Hus f/leje	Bearing seat, driven bevel gear	35274	1
21	N/A	Bolt, M8x28	Bolt, M8x28	35286	4
22	N/A	Holder f/leje	Bearing limit	35287	2
23	9034447 (inaktiv)	Screw, M8x25	Screw, M8x25	10276	4
24	9057364	Justerbar skive f/spidshjul	Adjustable washer, driven bevel gear	35277	1
25	9057365	Spidshjul	Drive bevel gear	35272	1
26	9057366	Låsemøtrik f/spidshjul	Locknut, bevel gear	35275	1
27	N/A	Møtrik, M20x1,5	Nut, M20x1,5	35294	1

Fig. 46: Transmission II / transmission II

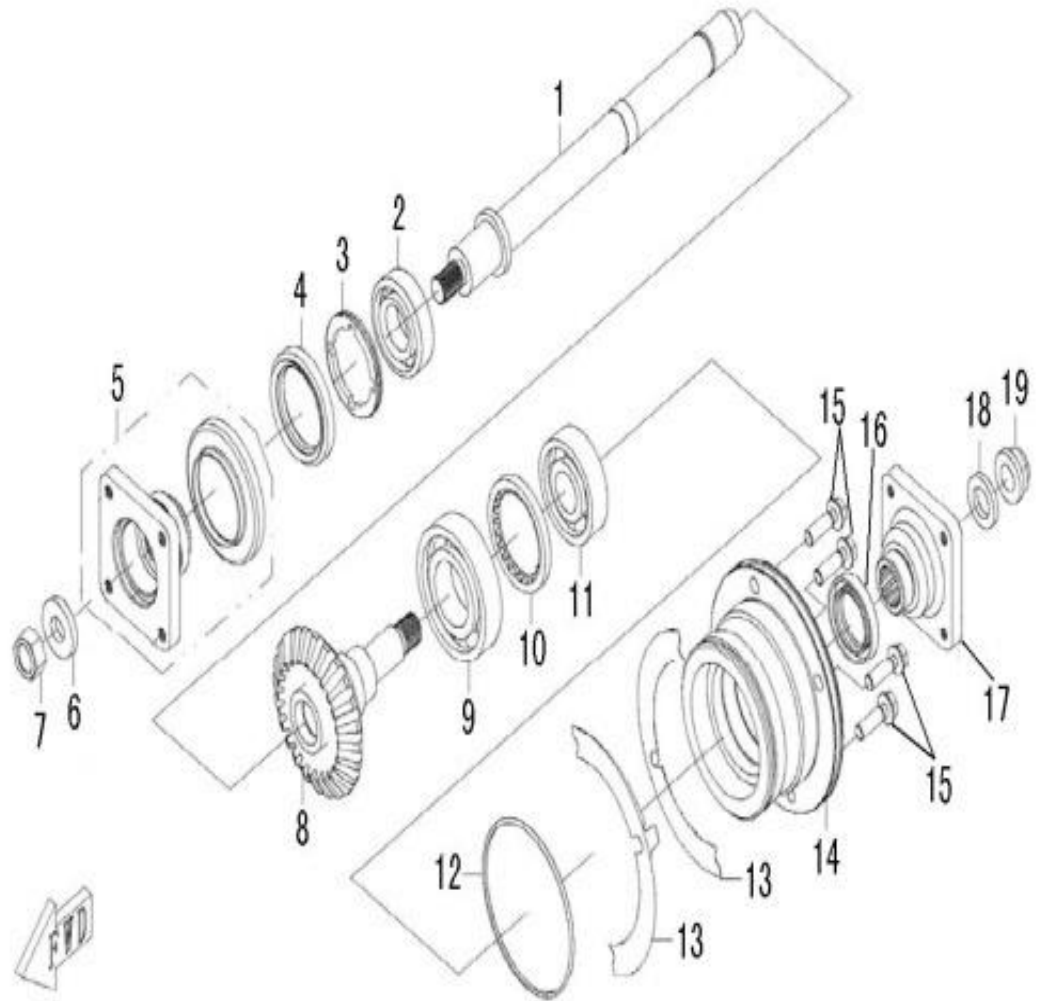


Fig. 46: Transmission II / transmission II

Ref. no.	PL nr / art. no.	Varenavn	Art. name	OE no.	Antal / pcs
1	9057367	Udgangsaksel	Front output shaft	35288	1
2	N/A	Leje, 6205	Bearing 6205	10267N	1
3	N/A	Holder f/leje	Bearing retainer, front output shaft	35291	1
4	9057368	Pakdåse, 44x60x6.7/10	Oil seal, 44×60×6.7/10	35289	1
5	9057369	Samleled, transmission	Coupler, front transmission output	35290	1
6	N/A	Skive	Washer	35292	1
7	9057370	Møtrik, M14x1,5-10	Nut, M14×1.5-10	10837	1
8	9057371	Spidshjul	Driven bevel gear	35273	1
9	N/A	Leje, 6207/P63	Bearing, 6207/P63	10856	1
10	9057372	Møtrik f/leje	Bearing limit nut	35282	1
11	N/A	Leje, 63/22	Bearing 63/22	10848	1
12	9057373	O-ring, 88x2,4	O-ring, 88x2,4	35279	1
13	9057374	Justerbar skive, spidshjul	Adjustable washer, driven bevel gear	35280	2
14	N/A	Hus f/leje	Bearing seat, driven bevel gear	35278	1
15	N/A	Bolt, M8x28	Bolt, M8x28	35286	4
16	9057375	Pakdåse, 30x46x7	Oil seal, 30×46×7	35281	1
17	9057376	Samleled, transmission bag	Coupler, rear transmission output	35283	1
18	N/A	Skive	Washer, rear output shaft nut	35284	1
19	N/A	Møtrik	Nut, rear output shaft	35285	1

Fig. 47: Transmission III / transmission III

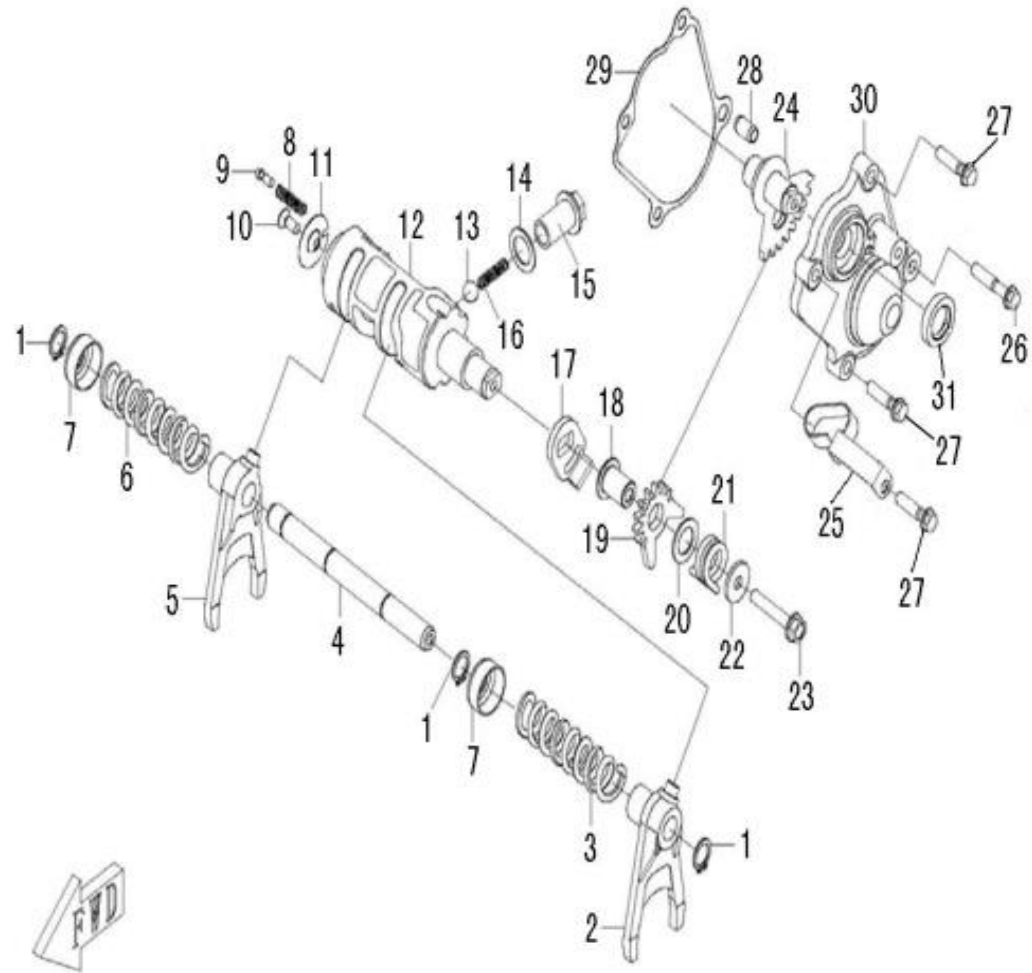




Fig. 47: Transmission III / transmission III

Ref. no.	PL nr / art. no.	Varenavn	Art. name	OE no.	Antal / pcs
1	9034891 (inaktiv)	Låsering 12	Circlip 12	10129	3
2	9057381	Skiftegaffel, venstre	Left shift fork	35330	1
3	9057382	Fjeder (1), skiftegaffel	Spring 1, shift fork	35327	1
4	N/A	Guide bar	Guide bar	35333	1
5	9057383	Skiftegaffel, højre	Right shift fork	35329	1
6	9057384	Fjeder (2), skiftegaffel	Spring 2, shift fork	35328	1
7	9057385	Holder f/fjeder	Spring seat	35326	2
8	9057386	Fjeder f/gear kontakt	Spring, gear contactor	35322	1
9	9057387	Gear kontakt	Gear contactor	35321	1
10	9034937 (inaktiv)	Bolt, M5x12	Bolt, M5x12	10135	1
11	N/A	Skive	Limit washer	35323	1
12	9057388	Skiftetromle	Shift cam	35331	1
13	9057389	Låsekugle, 3/8	Friction ball 3/8	10842	1
14	N/A	Skive, 14x22x1	Washer, 14x22x1	35324	1
15	9057390	Hulbolt, M14x1,5	Bolt, M14x1,15	35325	1
16	9057391	Fjeder, begrænser	Limit spring	35332	1
17	9057392	Skive f/tandhjul	Washer, driven sector gear	35303	1
18	9057393	Aksel f/tandhjul	Shaft, driven sector gear	35302	1
19	9057394	Skiftetandhjul (medbringer)	Driven sector gear	35301	1
20	9057395	Skive, 13,5x22x1	Washer, 13.5x22x1	35304	1
21	9057396	Spændefjeder f/tandhjul	Torsion spring, driven sector gear	35305	1
22	9057397	Skive, 6.6x20x2	Washer, 6.6x20x2	35306	1
23	N/A	Bolt, M6x35	Bolt, M6x35	10186	1
24	9057398	Skiftetandhjul	Weld part, driven sector gear	35300	1
25	9057399	Clip	Clip	35243	1
26	N/A	Bolt, M6x32	Bolt, M6x32	10329	1
27	N/A	Bolt, M6x25	Bolt, M6x25	10187	3
28	N/A	Styretap, 8x14	Dowel pin, 8x14	50076	1
29	9057400	Pakning f/gear hus	Gasket, sector gear housing	35241	1
30	N/A	Cover	Cover, sector gear housing	35240	1
31	9057401	Pakdåse, 15x25x5	Oil seal, 15x25x5	35242	1

Fig. 48: Oliepumpe / oil pump

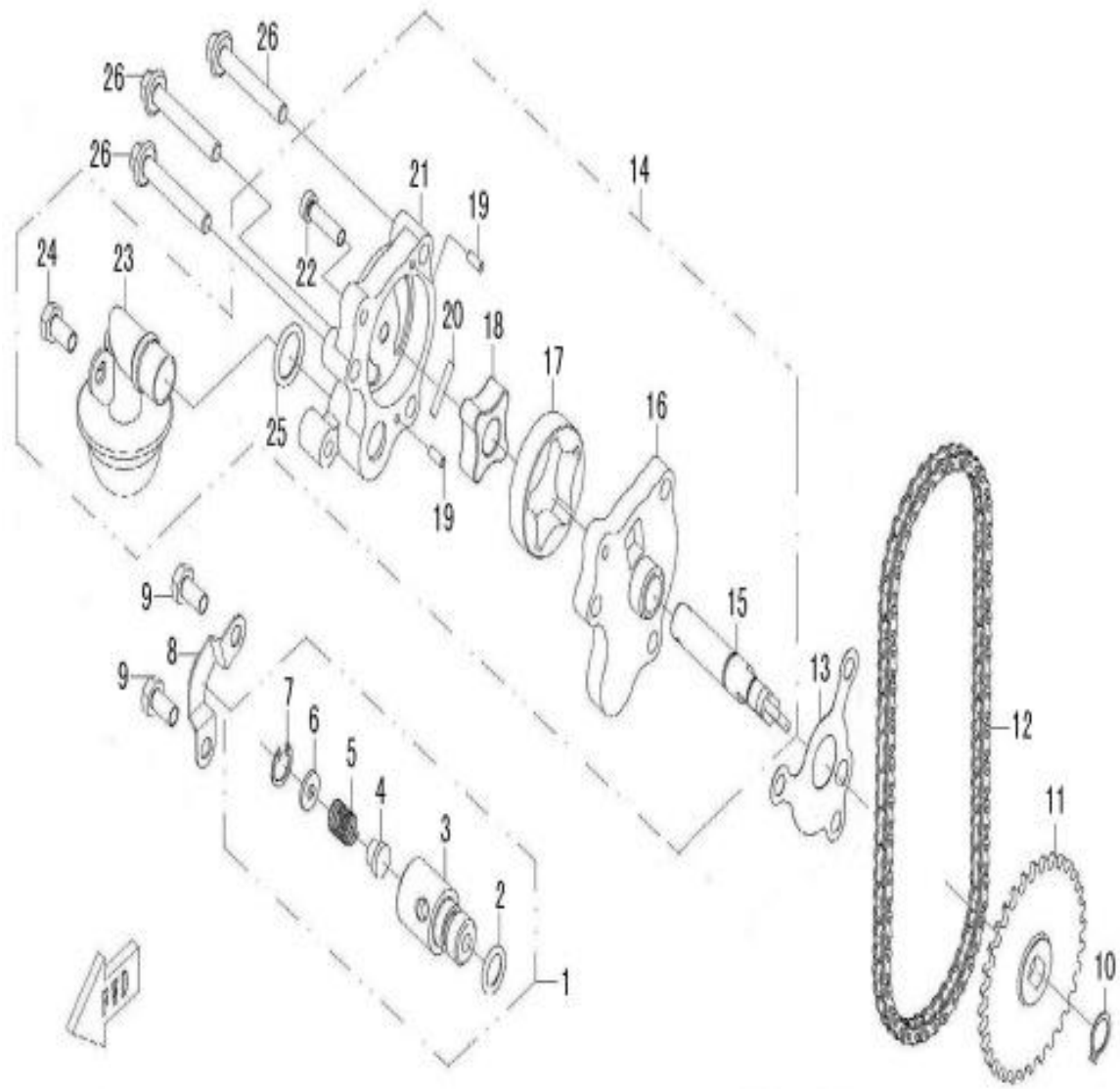


Fig. 48: Oliepumpe / oil pump

Ref. no.	PL nr / art. no.	Varenavn	Art. name	OE no.	Antal / pcs
1	9057402	Udluftningsventil	Relief valve	35197	1
2	N/A	O-ring, 10x2,3	O-ring, 10x2,3	35200	1
3	N/A	Hus f/udluftningsventil	Relief valve body	35198	1
4	N/A	Olieprop	Oil plug, relief valve	35199	1
5	N/A	Fjeder f/udluftningsventil	Spring, relief valve	35201	1
6	N/A	Fjederskive	Spring washer	35202	1
7	N/A	Låsering 12	Circlip 12	10838	1
8	N/A	Strip, udluftningsventil	Pressure strip, relief valve	35203	1
9	9034420 (inaktiv)	Bolt, M6x12	Bolt, M6x12	10140	2
10	N/A	Låsering 11	Circlip 11	10840	1
11	N/A	Tandhjul, oliepumpe	Sprocket, oil pump	35191	1
12	9057403	Kæde, oliepumpe	Chain, oil pump	35196	1
13	9057404	Pakning, oliepumpe	Gasket, oil pump	35206	1
14	9057405	Oliepumpe	Oilpump	35195	1
15	N/A	Aksel, oliepumpe	Shaft, oil pump	35192	1
16	N/A	Cover, oliepumpe	Cover, oil pump	35187	1
17	N/A	Rotor, ydre - oliepumpe	Outer rotor, oil pump	35189	1
18	N/A	Rotor, indre - oliepumpe	Inner rotor, oil pump	35190	1
19	N/A	Styretap	Dowel pin	35193	2
20	N/A	Pin, lige	Straight pin	35194	1
21	N/A	Hus f/oliepumpe	Oil pump housing	35188	1
22	N/A	Skrue, M5x20	Screw, M5x20	10857	1
23	N/A	Oliesi	Oil strainer	35204	1
24	N/A	Bolt, M6x14	Bolt, M6x14	10210	1
25	N/A	O-ring, 14x2,5	O-ring, 14x2,5	35205	1
26	9050223	Bolt, M6x40	Bolt, M6x40	10177	3

Fig. 49: Vandpumpe / water pump

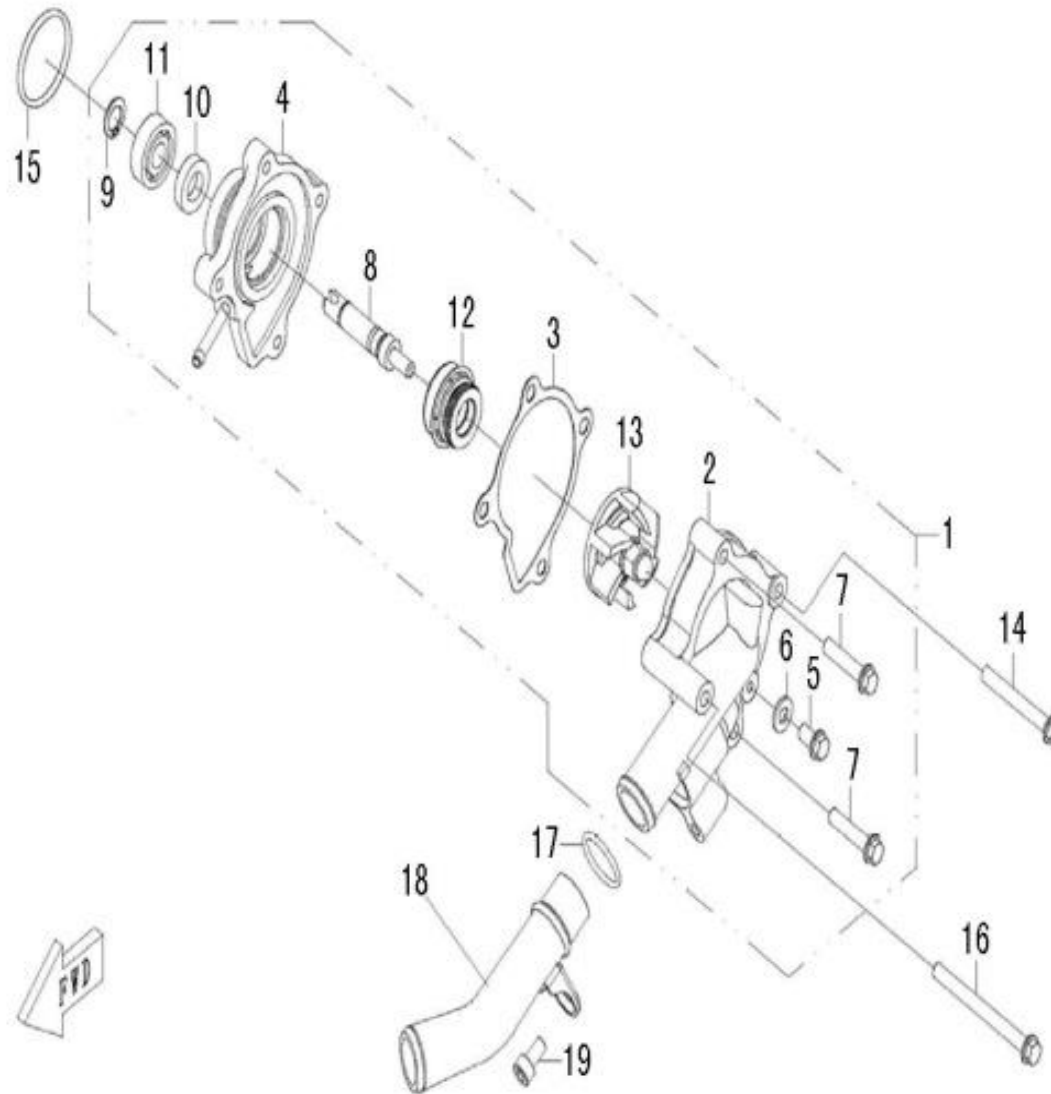


Fig. 49: Vandpumpe / water pump

Ref. no.	PL nr / art. no.	Varenavn	Art. name	OE no.	Antal / pcs
1	9057406	Vandpumpe, komplet	Water pump assy	35179	1
2	N/A	Cover f/vandpumpe	Water pump cover	35173	1
3	9057407	Pakning	Gasket	35176	1
4	N/A	Hus f/vandpumpe	Water pump housing	35172	1
5	9034420 (inaktiv)	Bolt, M6x12	Bolt, M6x12	10140	1
6	N/A	Skive	Washer	35108	1
7	9050222	Bolt, M6x30	Bolt, M6x30	10182	2
8	N/A	Aksel, vandpumpe	Water pump shaft	35175	1
9	N/A	Låsering 10	Circlip 10	10839	1
10	9057408	Pakdåse. 10x20x5	Oil seal, 10x20x5	35177	1
11	N/A	Leje, 6000	Bearing, 6000	70020	1
12	9057409	Pakning	Water seal	35178	1
13	9057410	Skovlhjul	Impeller	35180	1
14	9050224	Bolt, M6x50	Bolt, M6x50	10349	1
15	9057411	O-ring, 35x2,5	O-ring, 35x2,5	35174	1
16	9050226	Bolt, M6x70	Bolt, M6x70	10160	1
17	9057412	O-ring, 21x2,5	O-ring, 21x2,5	35182	1
18	N/A	Rør	Water outlet pipe	35181	1
19	N/A	Skrue, M6x10	Screw, M6x10	10831	1

Fig. 50: Cover, venstre side / left side cover

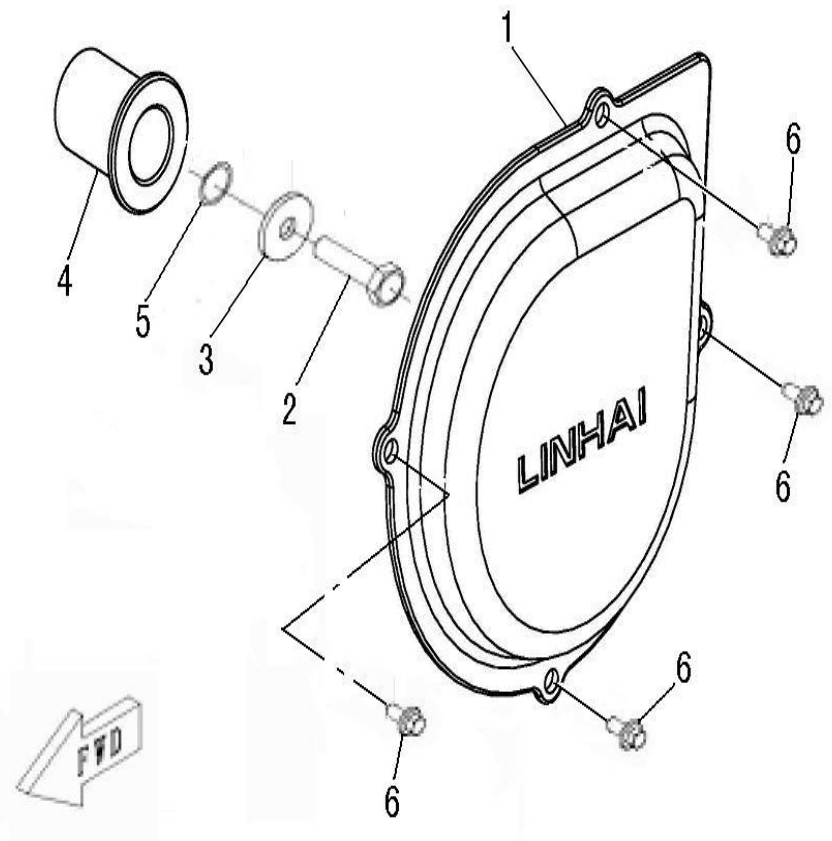


Fig. 50: Cover, venstre side / left side cover

Ref. no.	PL nr / art. no.	Varenavn	Art. name	OE no.	Antal / pcs
1	N/A	Cover, venstre side	Left side cover	35270	1
2	N/A	Bolt, M10x1,25x40	Bolt, M10x1,25x40	35267	1
3	N/A	Skive, 10,2x32x3	Washer, 10.2×32×3	35268	1
4	N/A	Afstandsstykke	Splined spacer	35266	1
5	N/A	O-ring, 16,1x3,2	O-ring, 16,1x3,2	35269	1
6	9034420 (inaktiv)	Bolt, M6x12	Bolt, M6x12	10140	4

Fig. 51: Cover, venstre side, ny / left side cover, new

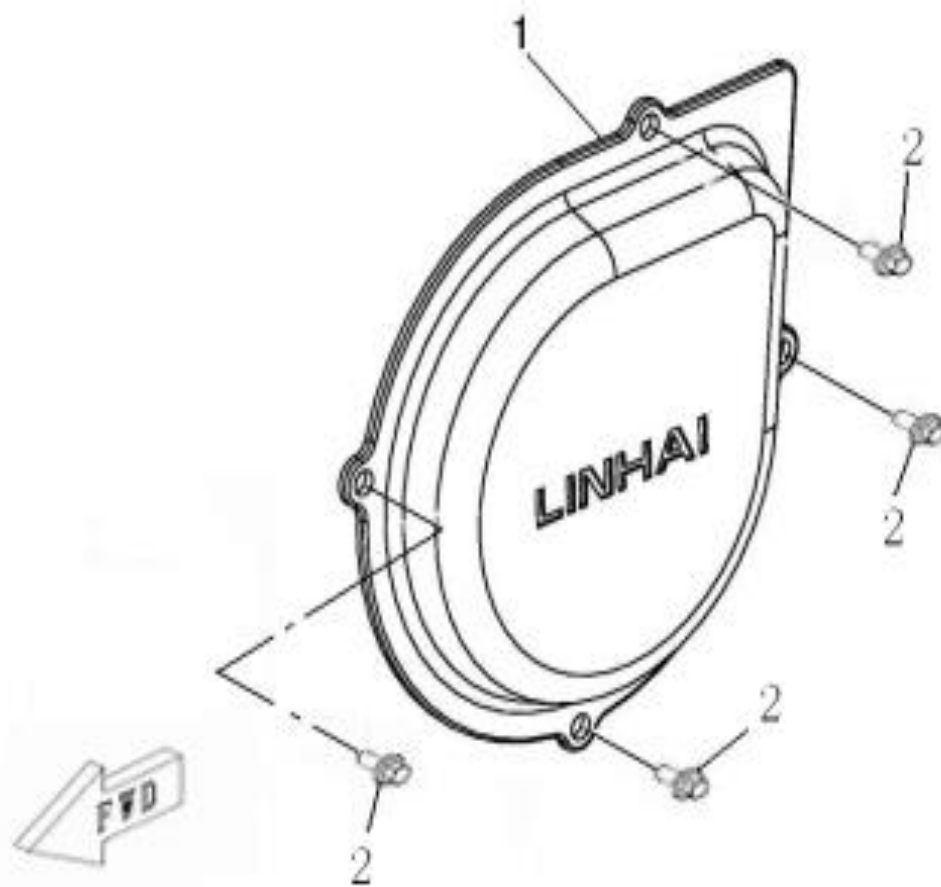




Fig. 51: Cover, venstre side, ny / left side cover, new

Ref. no.	PL nr / art. no.	Varenavn	Art. name	OE no.	Antal / pcs
1	N/A	Cover, venstre side (ny)	Left side cover, new	35270	1
2	9034420 (inaktiv)	Bolt, M6x12	Bolt, M6x12	10140	4

Fig. 52: Brændstof indsprøjtning / fuel injection assy

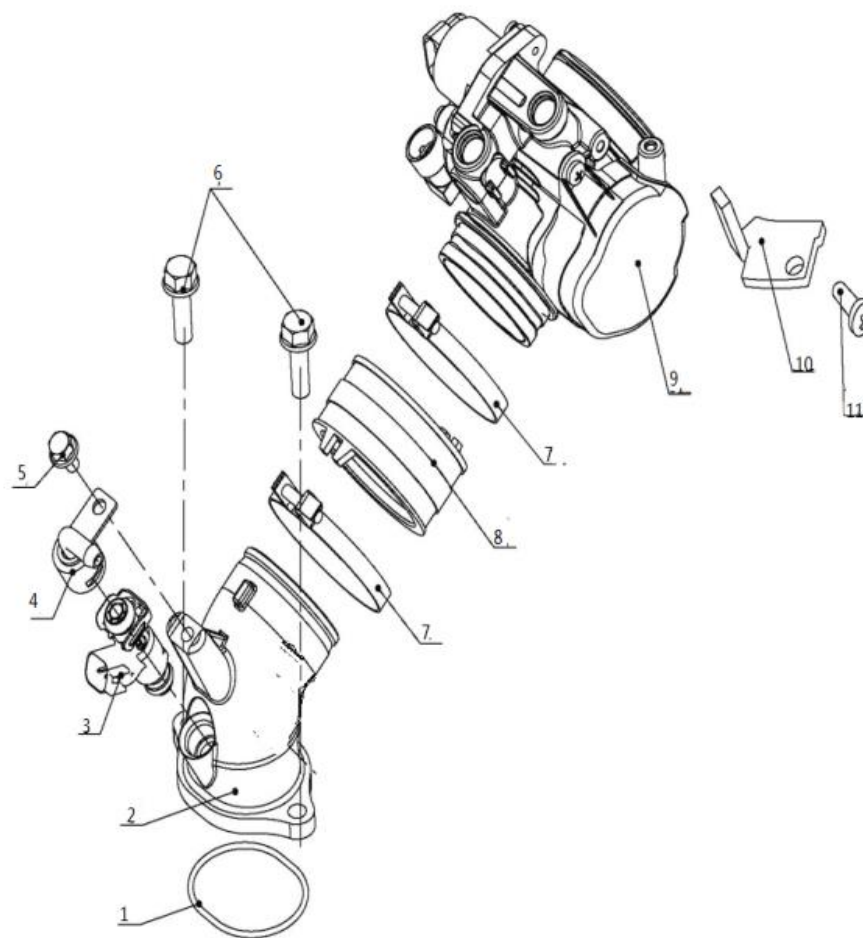


Fig. 52: Brændstof indsprøjtning / fuel injection assy

Ref. no.	PL nr / art. no.	Varenavn	Art. name	OE no.	Antal / pcs
1	9057272	O-ring, 40x2,4	O-ring, 40x2,4	35207	1
2	9057496	Samler, karburator	Joint, carburetor	35744	1
3	9057497	Injector	Injector	35745	1
4	9057498	Injector hætte	Injector cap	73352	1
5	N/A	Bolt, M6x10	Bolt, M6x10	10716W	1
6	N/A	Bolt, M6x16	Bolt, M6x16	10183B	2
7	N/A	Clip 64	Clip 64	71844	2
8	9049228	Indsugningsslange	Joint, feed hose	71849	1
9	9057499	Gasspjæld, hus - komplet	Throttle body, assembly	36200	1
10	N/A	Fartbegrænsningsenhed	Speed limiting block of the TB	35746	1
11	N/A	Skrue, M4x12	Screw, M4x12	73478	1

Fig. 53: Oliekøler / oil radiator

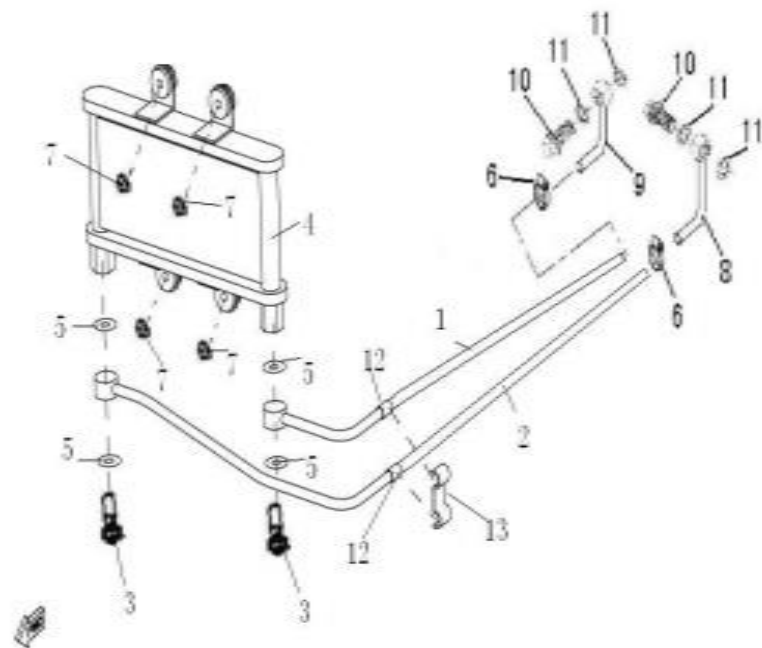


Fig. 53: Oliekøler / oil radiator

Ref. no.	PL nr / art. no.	Varenavn	Art. name	OE no.	Antal / pcs
1	N/A	Rør A (gammel model)	Pipe A (old model)	36013	1
2	N/A	Rør B (gammel model)	Pipe B (old model)	36012	1
3	N/A	Bundprop	Drain plug	35379	2
4	9057418	Oliekøler	Oil radiator	35342	1
5	N/A	Skive	Washer	35341	4
6	N/A	Clamp 12/20	Clamp 12/20	10774	2
7	9050206	Møtrik, M6	Nut, M6	10836	4
8	N/A	Samler A	Joint A	35183	1
9	N/A	Samler B	Joint B	35186	1
10	N/A	Bolt	Hinge bolt, M14×1.5	35214	2
11	N/A	Skive	Washer	35215	4
12	N/A	Krave, gl model	Old model cushion collar	36015	2
13	N/A	Plade, gl model	Old model dead plate	36014	1

Fig. 54: Oliekøler, ny / oil radiator, new

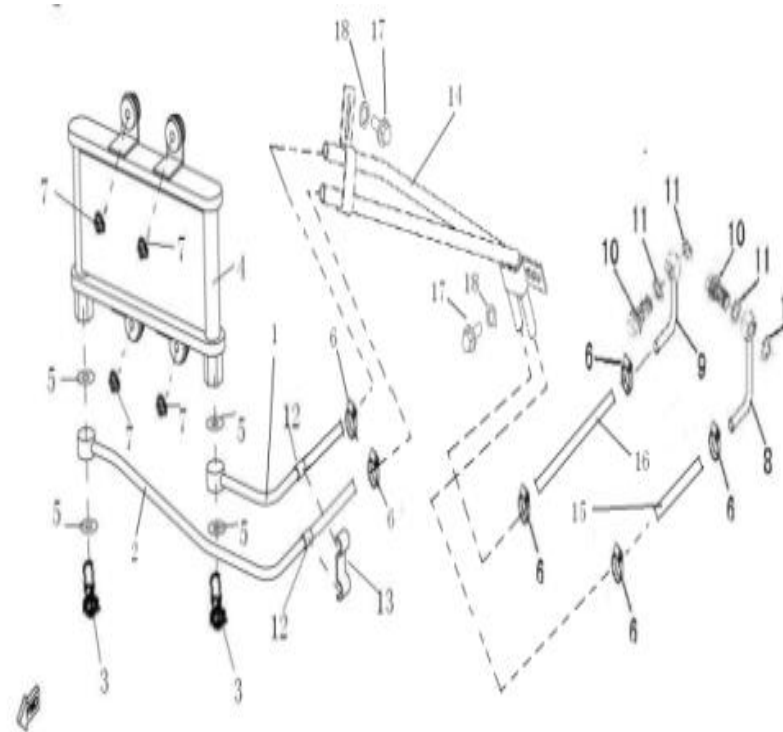


Fig. 54: Oliekøler, ny / oil radiator, new

Ref. no.	PL nr / art. no.	Varenavn	Art. name	OE no.	Antal / pcs
1	N/A	Rør A (195 mm)	Pipe A (195 mm)	36013a	1
2	N/A	Rør B (195 mm)	Pipe B (195 mm)	36012a	1
3	N/A	Bundprop	Drain plug	35379	2
4	9057418	Oliekøler	Oil radiator	35342	1
5	N/A	Skive	Washer	35341	4
6	N/A	Clamp 12/20	Clamp 12/20	10774	6
7	9050206	Møtrik, M6	Nut, M6	10836	4
8	N/A	Samler A	Joint A	35183	1
9	N/A	Samler B	Joint B	35186	1
10	N/A	Bolt	Hinge bolt, M14×1.5	35214	2
11	N/A	Skive	Washer	35215	4
12	N/A	Krave, gl model	Old model cushion collar	36015	2
13	N/A	Plade, gl model	Old model dead plate	36014	1
14	N/A	Oliekøler rør	Oil cooling pipe	36174	1
15	N/A	Rør C (120 mm)	Pipe C (120 mm)	36175	1
16	N/A	Rør D (190 mm)	Pipe D (190 mm)	36176	1
17	N/A	Bolt, M6x16	Bolt, M6x16	10183w	2
18	9043662 (inaktiv)	Skive	Washer	10011	2

Fig. 55: CVT lufkøler / CVT air shroud

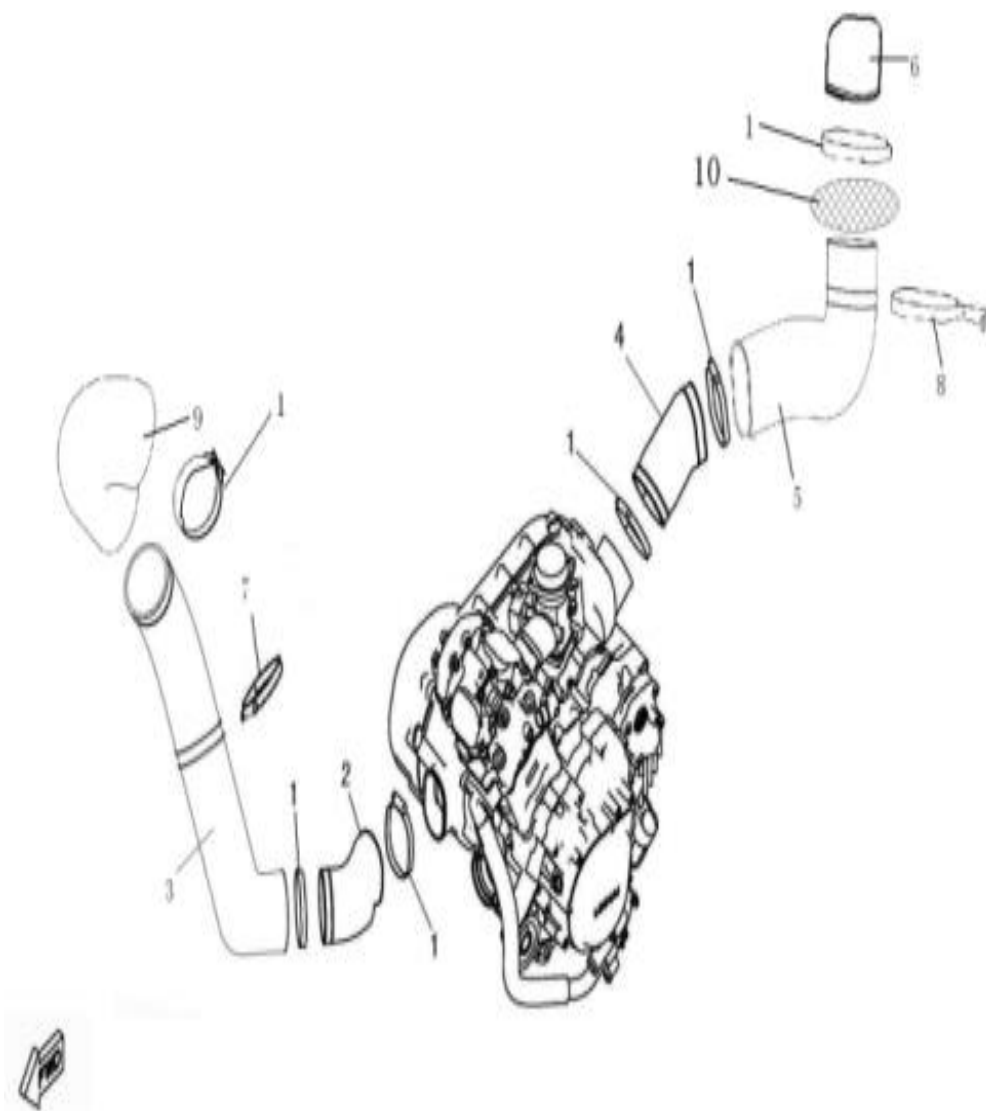




Fig. 55: CVT lufkøler / CVT air shroud

Ref. no.	PL nr / art. no.	Varenavn	Art. name	OE no.	Antal / pcs
1	N/A	Clamp 80	Clamp 80	35670	6
2	9057420	Gummi samler, lufkøler (1)	Rubber joint, air shroud 1 - CVT	35346	1
3	N/A	Luftslange, 1 - CVT	Air shroud 1, CVT	36002	1
4	N/A	Gummi samler, lufkøler (2)	Rubber joint, air shroud 2 - CVT	35348	1
5	N/A	Luftslange, 2 - CVT	Air shroud 2, CVT	36004	1
6	N/A	Gummi samler, lufkøler (3)	Rubber joint, air shroud 3 - CVT	36007	1
7	N/A	Luftslange clamp, 1	Air shroud 1, CVT clamping band	36005	1
8	N/A	Luftslange clamp, 2	Air shroud 2, CVT clamping band	36006	1
9	N/A	Gummi samler, lufkøler (4)	Rubber joint, air shroud 4 - CVT	36003	1
10	N/A	Wire	CVT wire mesh	36156	1

Fig. 56: Luftfilter / air cleaner

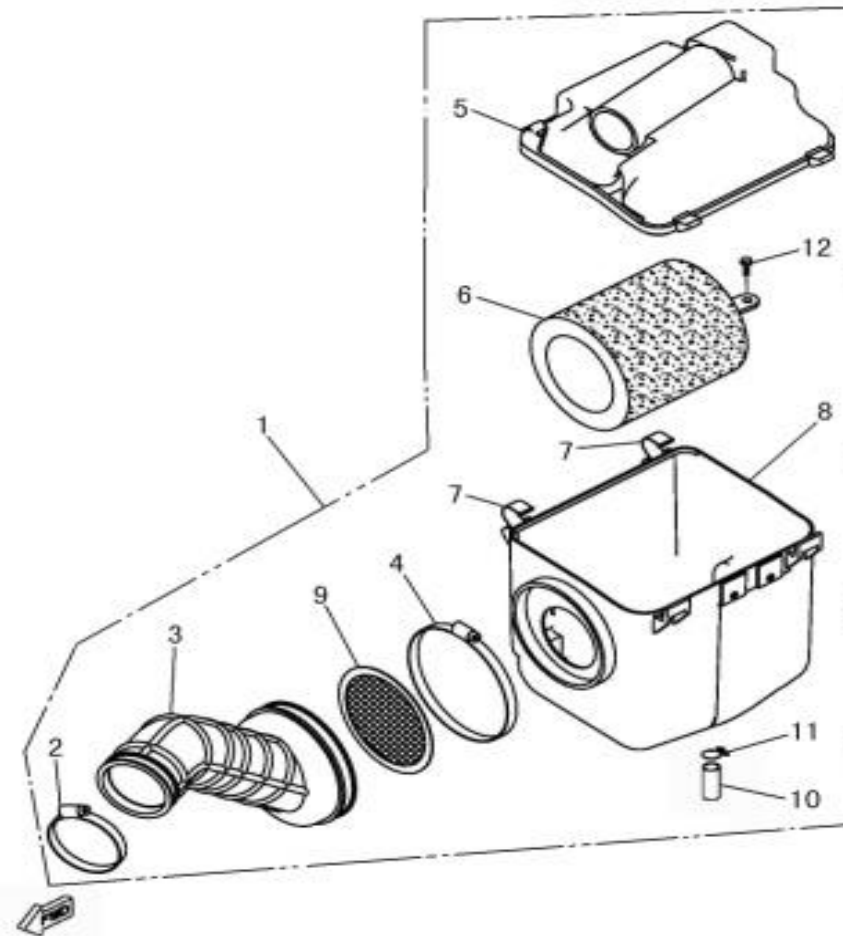


Fig. 56: Luftfilter / air cleaner

Ref. no.	PL nr / art. no.	Varenavn	Art. name	OE no.	Antal / pcs
1	N/A	Luftfilter	Air cleaner assy	35356e	1
2	N/A	Clip 1	Clip 1	35747	1
3	9057500	Fødeslange	Feed hose	35358e	1
4	N/A	Clip 2	Clip 2	35359	1
5	9057427	Cover f/luftfilter	Cover, air cleaner	35360	1
6	9057428	Luftfilter indsats	Element comp. air cleaner	35361	1
7	N/A	Clip f/cover	Clip, air cleaner cover	35362	2
8	N/A	Kasse, luftfilter	Case, air cleaner	35363	1
9	N/A	Filter	Filter	35364	1
10	N/A	Slange 2, luftfilter	Hose 2, air cleaner	35365	1
11	N/A	Fjeder clip	Spring clip	35366	1
12	N/A	Skrue	Screw	35367	1

Fig. 57: Udstødning / exhaust

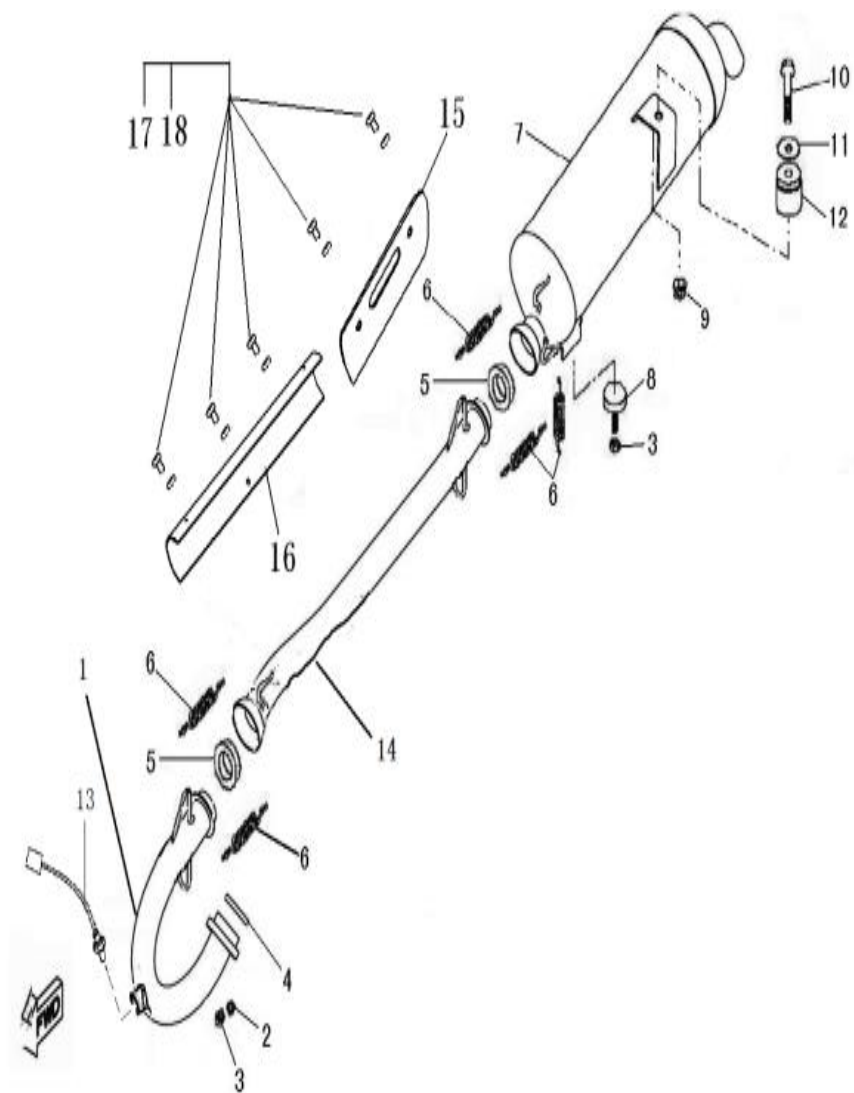


Fig. 57: Udstødning / exhaust

Ref. no.	PL nr / art. no.	Varenavn	Art. name	OE no.	Antal / pcs
1	N/A	Udstødningsrør	Exhaust pipe	36138	1
2	9033861	Fjederskive	Washer	10106	2
3	9050207	Møtrik, M8	Nut, M8	10099	3
4	9057430	Pakning t/udstødningsrør	Exhaust pipe gasket	35369	1
5	9057431	Samler	Joint	35370	2
6	9029909	Fjederskive	Spring	23408	5
7	N/A	Lydpotte	Muffler	36139	1
8	N/A	Ophæng t/lydpotte, bund	Muffler support bottom	35345	1
9	9029913	Låsemøtrik, M10x12,5	Nut, M10x12,5	10015	1
10	N/A	Flangebolt, M10x1,25x62	Bolt, flange, M10x1,25x62	10120	1
11	9034618 (inaktiv)	Skive	Washer plate	10117	1
12	9057433	Ophæng t/lydpotte	Muffler support	35344	1
13	9039689	Sensor	Sensor	70826	1
14	N/A	Udstødningsrør	Exhaust pipe	36137	1
15	N/A	Afskærmning, udstødning - 2	Safety guard - 2	35535	1
16	N/A	Afskærmning, udstødning - 1	Safety guard - 1	35536	1
17	N/A	Bolt, M6x12	Bolt, M6x12	10730	5
18	9034187 (inaktiv)	Fjederskive	Washer	10308	5

Fig. 58: Køler / radiator

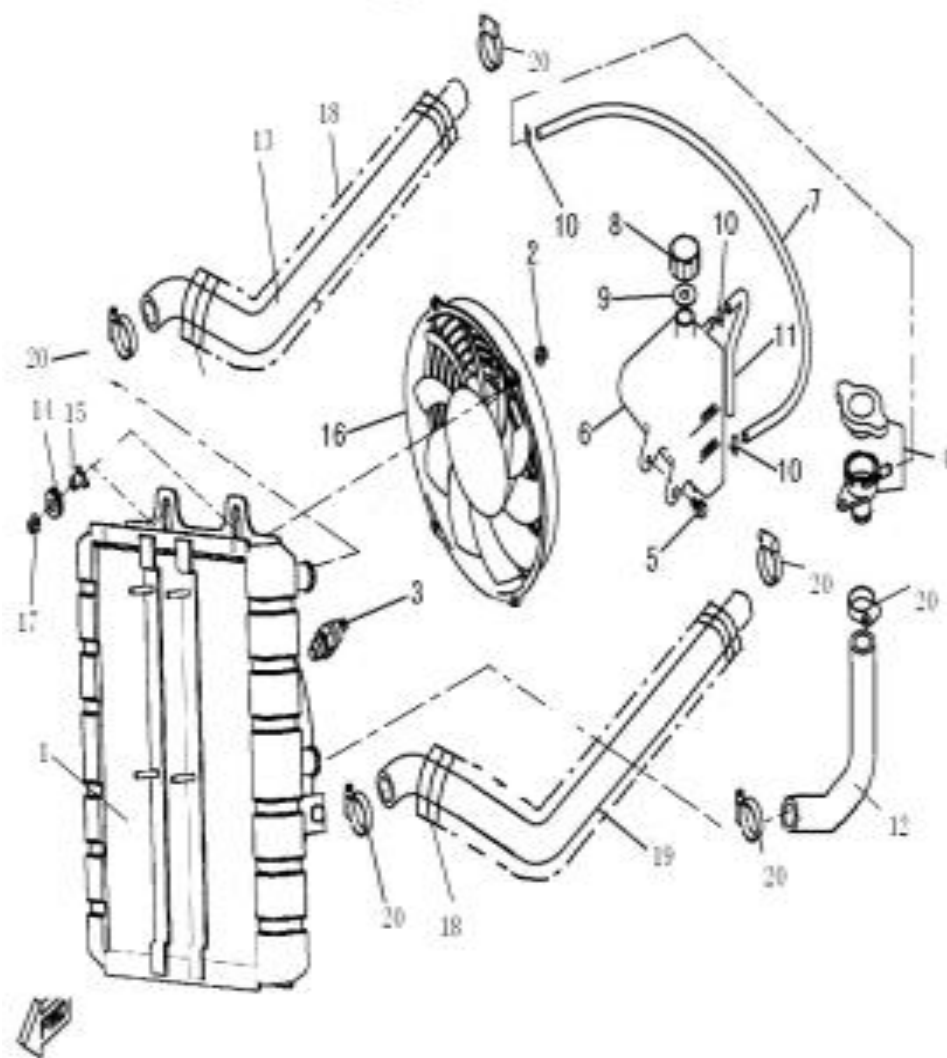


Fig. 58: Køler / radiator

Ref. no.	PL nr / art. no.	Varenavn	Art. name	OE no.	Antal / pcs
1	9057501	Køler	Radiator	36008	1
2	9050206	Møtrik, M6	Nut, M6	10103	4
3	9029756	Kontakt/føler køleventilator	Thermostat switch assy	22919	1
4	9057438	Kølerdæksel	Safety valve	22907a	1
5	9034420 (inaktiv)	Bolt, M6x12	Bolt, M6x12	10140	2
6	9047193	Ekspansionsbeholder	Tank recovery	70340	1
7	N/A	Rør, sikkerhedsventil	Pipe, safety valve	36055	1
8	9047195	Dæksel f/ekspansionsbeholder	Cover, tank recovery	70338	1
9	N/A	Skive f/ekspansionsbeholder	Washer, tank recovery	70339	1
10	9034708 (inaktiv)	Spændebånd	Clip	22924	3
11	9049261 / 9030768	Overløbsslange	Pipe, tank recovery	70342	1
12	N/A	Kølerslange	Hose, radiator	36009	1
13	N/A	Fødeslange	Hose, feed	36010	1
14	N/A	Gummiholder	Radiator side grommet	36053	2
15	N/A	Bøsning	Collar	36052	2
16	9057439	Blæser, komplet	Blower assy	35354	1
17	9050206	Møtrik, M6	Nut, M6	10004	2
18	N/A	Krave	Sleeve	35352	2
19	N/A	Returslange	Hose, return	36011	1
20	N/A	Clamp, 20/32	Clamp, 20/32	70344	6

Fig. 59: Værktøj / tool

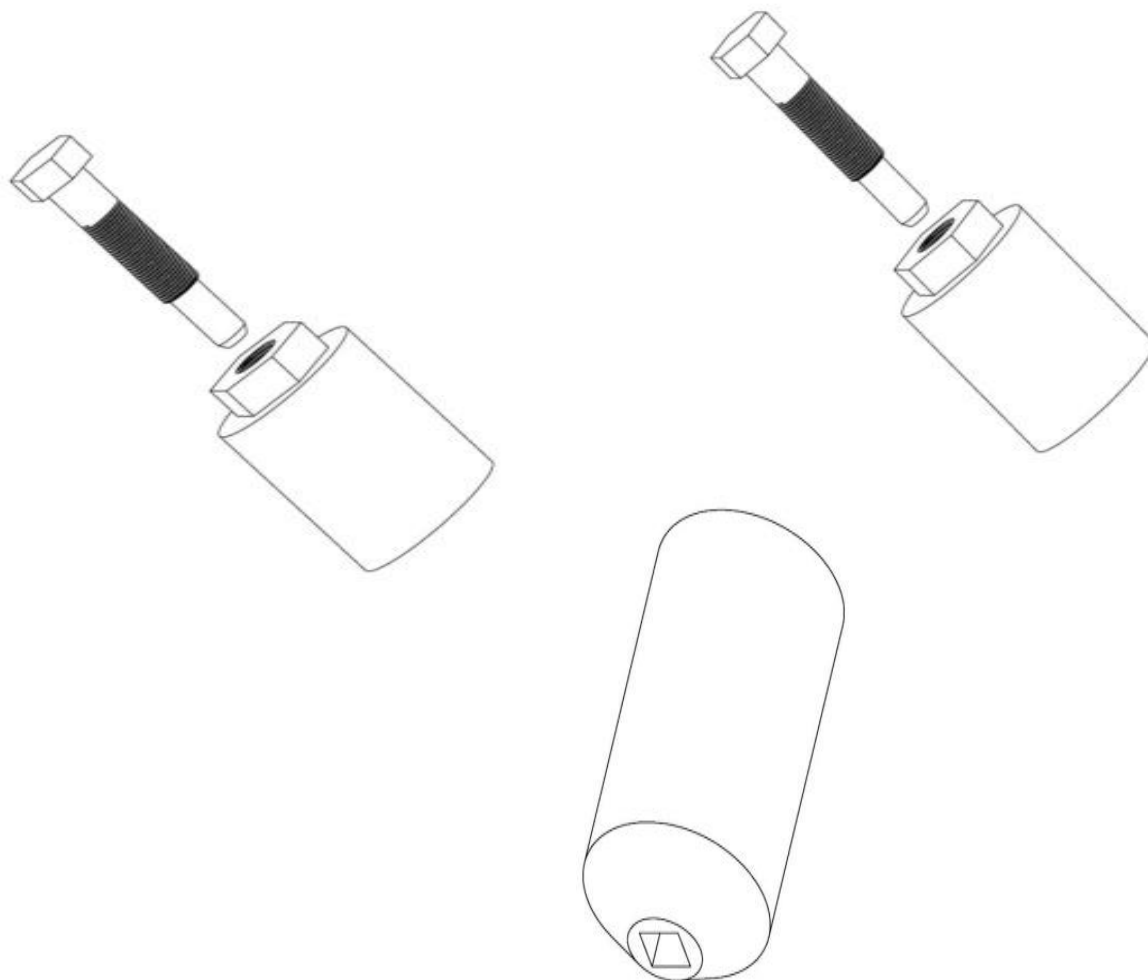




Fig. 59: Værktøj / tool

Ref. no.	PL nr / art. no.	Varenavn	Art. name	OE no.	Antal / pcs
1	N/A	Værktøj f/rotor	Rotor assy puller	80129	1
2	N/A	Værktøj f/leje	Bearing retainer	80130	1
3	N/A	Værktøj f/leje	Bearing limit nut	80131	1