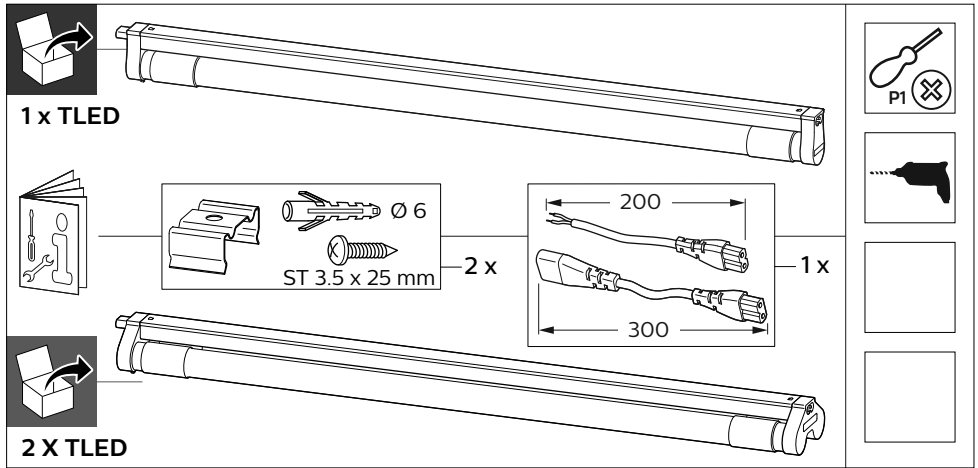


PHILIPS

Ledinaire Batten

BN060C



	System lumen (lm)	CCT	P(W)	kg
BN060C 1x TLED16/840 L1200	1600	4000	18	0.41
BN060C 2x TLED16/840 L1200	1600	4000	36	0.68

! - The luminaire shall be installed by a qualified electrician and wired in accordance with the latest IEE electrical regulations or the national requirements.
 - Lamp are replaceable.

