
RESERVEDELSKATALOG

V2

P-Lindberg



LH300ATV-D EFI T3a & T3b

Side 4-6	Fig 1	Indholdsfortegnelse	Indholdsfortegnelse		
Side 8-10	Fig 2	Styr/handlebar	Cylinder/cylinder	Fig 25	Side 66-67
Side 12-14	Fig 3	Benzintank/fuel tank	Krumtap/crankshaft comp	Fig 26	Side 68-69
Side 16-18	Fig 4	Bagskærme/rear fender	Ventiler/valve	Fig 27	Side 70-71
Side 20-21	Fig 5	Forskræm, dele/Front body, frame	Knastaksel, kæde/camshaft,chain	Fig 28	Side 72-73
Side 22-23	Fig 6	Bærearml, fjederben/A arm	Vandpumpe/waterpump	Fig 29	Side 74-75
Side 24-25	Fig 7	Bagsvinger/swingarm assy	Kølesystem/Radiator	Fig 30	Side 76-78
Side 26-27	Fig 8	Forhjul, nav/Wheel front	Oliepumpe/oilpump	Fig 31	Side 80-81
Side 28-29	Fig 9	Støddæmper, bag/shock absorber	Luftfilter/aircleaner	Fig 32	Side 82-83
Side 30-31	Fig 10	Baghjul/wheel rear	Indsugning gasspjæld/fuel injection	Fig 33	Side 84-85
Side 32-35	Fig 11	Bag differentiale/rear diff	Udstødning/exhaust	Fig 34	Side 86-87
Side 36-37	Fig 12	Gearkasse/transmission 2WD	Krumtapshus/crankcase	Fig 35	Side 88-89
Side 38-41	Fig 13	speedometersencor/speedcensor	Sidedæksel H&V/Covet L&R	Fig 36	Side 90-91
Side 42-43	Fig 14	Gearkasse/transmission 4WD	Starterdrev/starter	Fig 37	Side 92-93
Side 44-45	Fig 15	Ophæng/supportbracket	Kobling/clutch "new model"	Fig 38	Side 94-96
Side 46-47	Fig 16	Geatskifte/shiftrod	Støttebæring/High-power clutch	Fig 39	Side 98-99
Side 48-49	Fig 17	Støddæmper for/shock absorber	Generator, svinghjul/generator	Fig 40	Side 100-101
Side 50-51	Fig 18	Styreakse/steering column	Starter/starting motor	Fig 41	Side 102-103
Side 52-54	Fig 19	Elsystem/electrical system	Motorophæng/Engine	Fig 42	Side 104-105
Side 55	Fig 20	Bremsesystem/brakesystem	Diff forrest/front gearbox 4WD	Fig 43	Side 106-108
Side 56-57	Fig 21	Rep sæt/service kit brake	Drivaksel for/front drive aksel 4WD	Fig 44	Side 110-111
Side 58-59	Fig 22	Håndbremse/parking system	Bagtøj diff/FOC body 4WD	Fig 45	Side 112-113
Side 60-62	Fig 23	Bremsepedal/brakepedal			
Side 63	Fig 24	Kofanger, bagage/bumper, rack			
		Tilbehør/options			

Fortsættes

Fig 1. Styr Handlebar

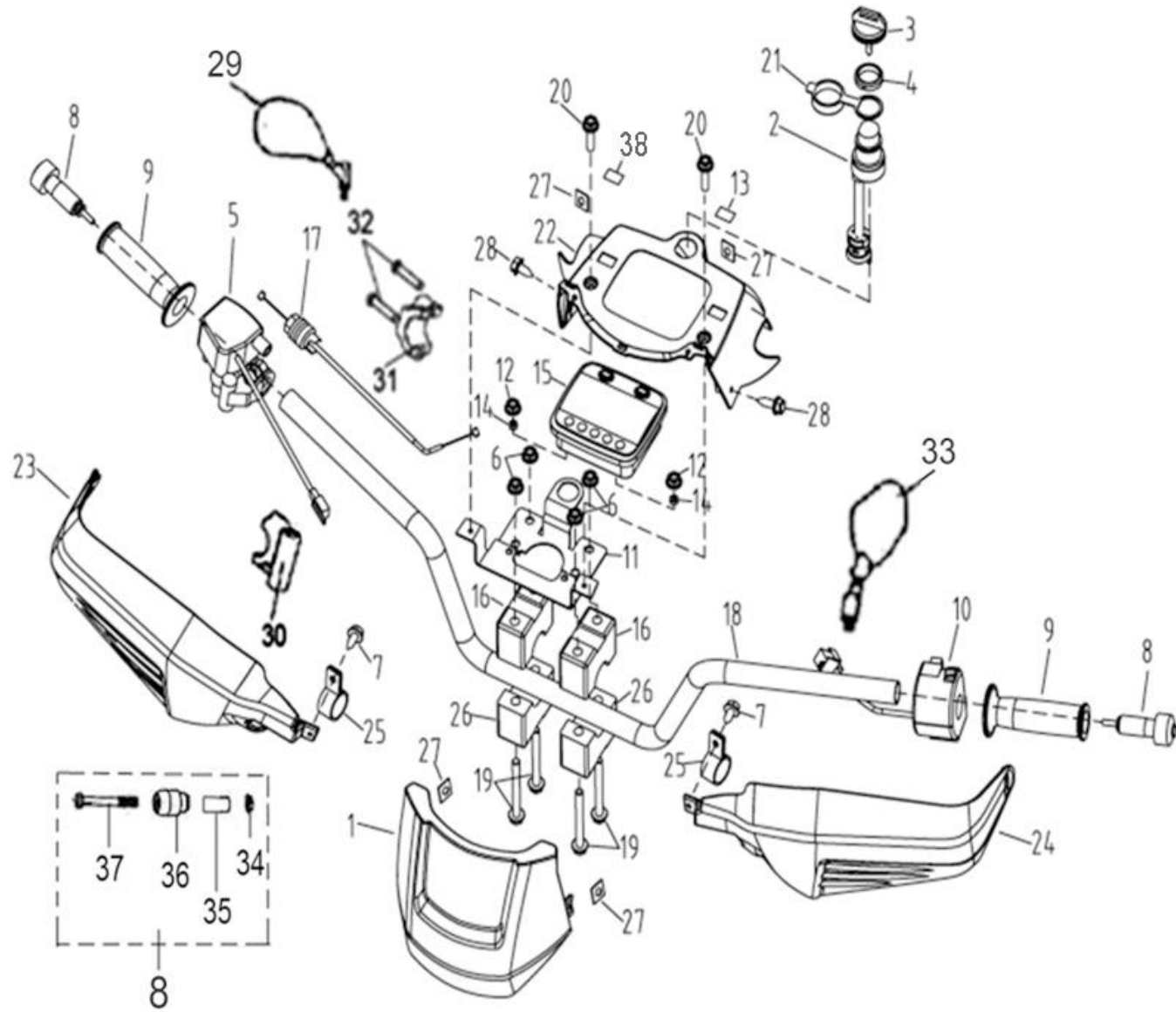


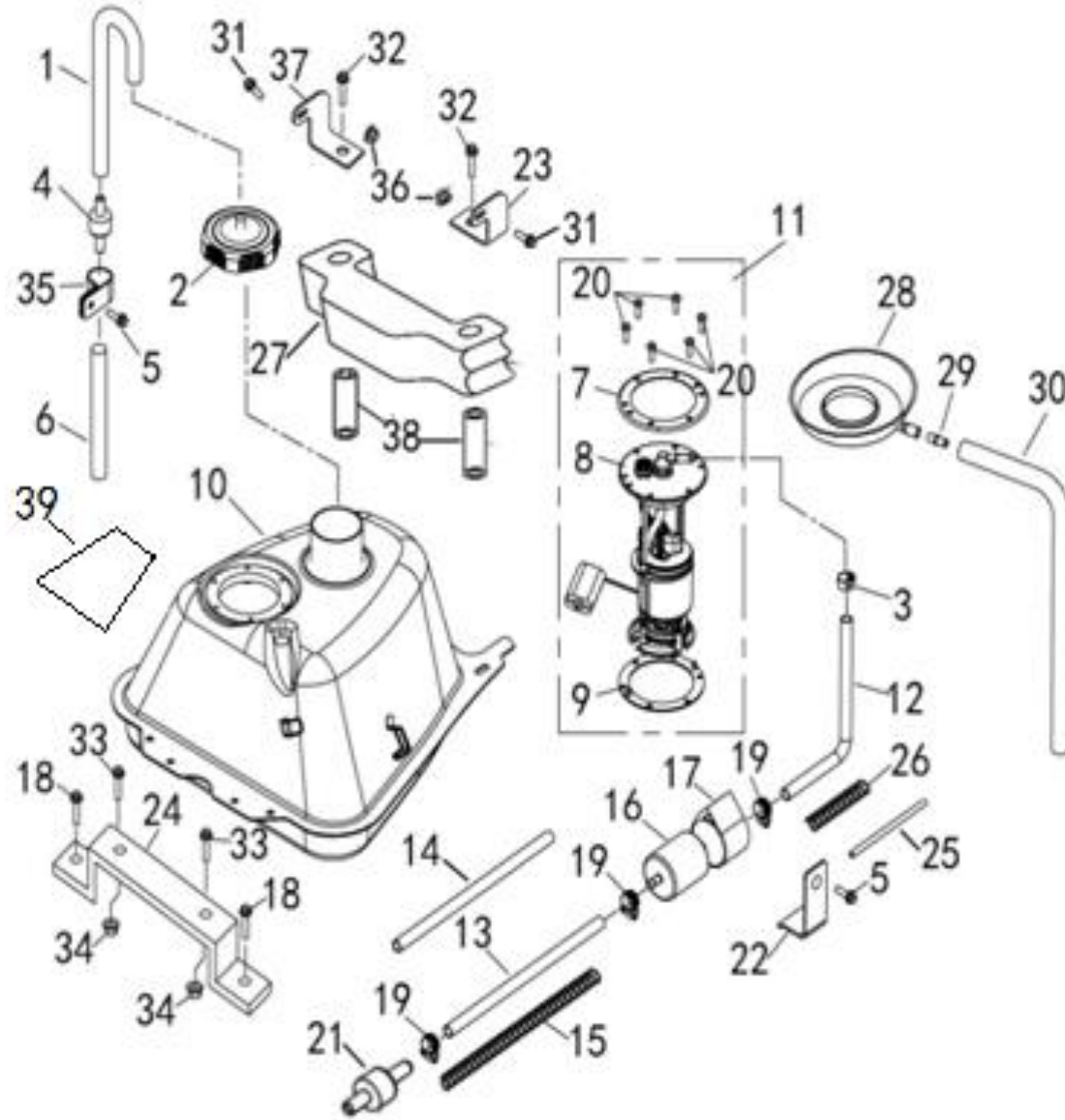
Fig No	PL-nummer	Varenavn	Art name	Oe-ref	Antal/Qty
1	9045059	Speedometerhus	FRONT SPEEDOMETER COVER	27415	1
2	9050381	Tændingskontakt	IGNITION SWITCH WITH KEY (USED FOR WATERPROOF)	27601	1
3	9045060	Tændingslås "vandtæt" incl nøgle	KEY BLANK	27457	1
4	N.A		THREADED NUT	25003	1
5	9030038	Gashåndtag/regulering	THROTTLE CONTROL (WITH 2WD/4WD SWITCH)(WITHIN DIFF-LOCK)	20109A	1
6	9050207	Møtrik M8	NUT M8	10079	4
7	N.A		SCREW ST4.8X12	11053	2
8	9057966	Håndbeskytter styr	NEW GUARD,HANDLEBAR END ASSY. (MATCH WITH NEW HANDLEBAR)	72037	2
9	9029704	Håndtag	GRIP	30515	2
10	9050382	Kombikontakt	SWITCH ASSY	27602	1
11	9037382	Speedometer beslag	SPEEDOMETER BRACKET	25008	1
12	9033865	Møtrik M6	NUT M6	10004	2
13	9057112	Speedometercover	SPEEDOMETER COVER CAP (FOR	25010	1
14	N.A		RUBBER WASHER	70447	2
15	9061408	Speedometer Lcd	LCD SPEEDOMETER	27550	1
16	9057113	Clamp for styr	HANDLEBAR CLAMP	20112a	2
17	9061409	Gaskabel	THROTTLE CABLE	27551	1
18	N.A		HANDLEBAR	27385E	1
19	N.A		BOLT M8X72	10531	4
20	N.A		SCREW M5X16	70843A	2
21	9039406	Dæksel for tændingskontakt	IGNITION SWITCH COVER	27257	1
22	9045061	Speedometerhus bagdel	REAR SPEEDOMETER COVER	27416	1
23	9045062	Håndbeskytter højre	HANDLEBAR COVER RIGHT	27417	1
24	9045063	Håndbeskytter venstre	HANDLEBAR COVER LEFT	27418	1
25	9045064	Clamps for håndbeskytter	HANDLE COVER INSTALLATION BELT	27419	2
26	9057113	Clamp for styr	HANDLEBAR DOWN CLAMP	20112a	2
27	9049167	Clips møtrik	CLAMP 4.8	22346	4
28	N.A		SCREW ST4.8X12	10520	4
29	9029741	Sidespejl højre	REAR VIEW MIRROR RIGHT	36149	

30	9029737	Holder øverst t/sidespejl	UP HOLDER,REAR VIEW MIRROR	25525	1
31	9045066	Overfald F/spejlbeslag	DOWN HOLDER,REAR VIEW MIRROR	25526	1
32	9050221	Bolt M6X20	BOLT M6X20	10008	2
33	9029740	Sidespejl venstre	REAR VIEW MIRROR LEFT	36148	1
34	9050206	Møtrik M6	NUT M6	10913	2
35	N.A		TENSIONING BLOCK	72035	2
36	N.A		BALANCE WEIGHT	72036	2
37	N.A		SCREW M6X70	10940	2
38	N.A		EMERGENT SWITCH (FOR T3)	27600	1

Fortsættes

Fig 2

Benzintank/Fuel tank iron



THERE ARE TWO FULL FITTINGS ON THE FUEL TANKS AND THE SHORTER ONE IS KEPT IN RESERVE.

Fig No	PL-nummer	Varenavn	Art name	Oe-ref	Antal/Qty
1	9058040	Udluftnings slange	BREATHER PIPE (φ5Xφ9X450)	35501	1
2	9030701	Tankdæksel	FUEL CAP	70725	1
3	N.A		SINGLE EAR CLAMP (φ4.5)	84428	1
4	9030708	Ventil	VALVE,TANK, FUEL	25037	1
5	N.A		BOLT M6X12	11219	2
6	N.A		TUBE	70734	1
7	N.A		PLATE	72251	1
8	N.A		PUMP BODY	27845	1
9	N.A		RUBBER WASHER	36440	1
10	N.A		FUEL TANK	27832	1
11	9060622	Benzinpumpe modul	VALVE,TANK, FUEL	27833	1
12	N.A		FUEL HOSE 1	27834	1
13	9049422	Benzinslange 2	FUEL HOSE 2	71418	1
14	N.A		FUEL LINE ADIABATIC PELLICLE	36073	1
15	N.A		FUEL LINE SPRING	36077	1
16	9042723	Benzinfilter	FUEL FILTER	70842	1
17	N.A		FUEL FILTER INSTALLATION	70845	1
18	9050220	Bolt M6X16	BOLT M6X16	11097	1
19	9021812	Spændebånd	HOSE CLAMPS 8/14	71658	3
20	9049181	Skrue M5X16	SCREW M5X16	10201	6
21	N.A		Quick Fitting Assy 7.89	73146	1
22	N.A		PLATE, FUEL FILTER	36142	1
23	N.A		BRACKET,L	27820	1
24	N.A		MOUNTING BRACKET,FUEL TANK	27553	1
25	N.A		FUEL LINE ADIABATIC PELLICLE	27834	1
26	N.A		FUEL LINE SPRING	27836	1
27	9030902	Gummi underlæg benzintank	MOUNTING BRACKET	20209	1
28	9058038	Spildopfanger benzin	The OIL SPILL	36078	1
29	9058039	Studs	JOINT	60210	1
30	N.A		TUBE,FUEL CAP BREATHER	28095	1
31	9050220	Bolt M6X16	BOLT M6X16	11097	2
32	9050225	Bolt M6X60	BOLT M6X60	11362	2

33	9050230	Bolt M8X16	BOLT M8X16	10168	2
34	9050207	Møtrik M8	NUT M8	10079	2
35	9035034	Spændebånd	DUMP VALVE FIXING PLATE	880.021	1
36	9050206	Møtrik M6	ONUT M6	10004	2
37	N.A		BRACKET,R	27821	1
38	N.A		FUEL TANK BUFFER SLEEVE	20210	2
39	N.A		FUEL TANK ADIABATIC PELLICLE	27837	1

Fortsættes

Fig 3 Bagskærme/rear fenders

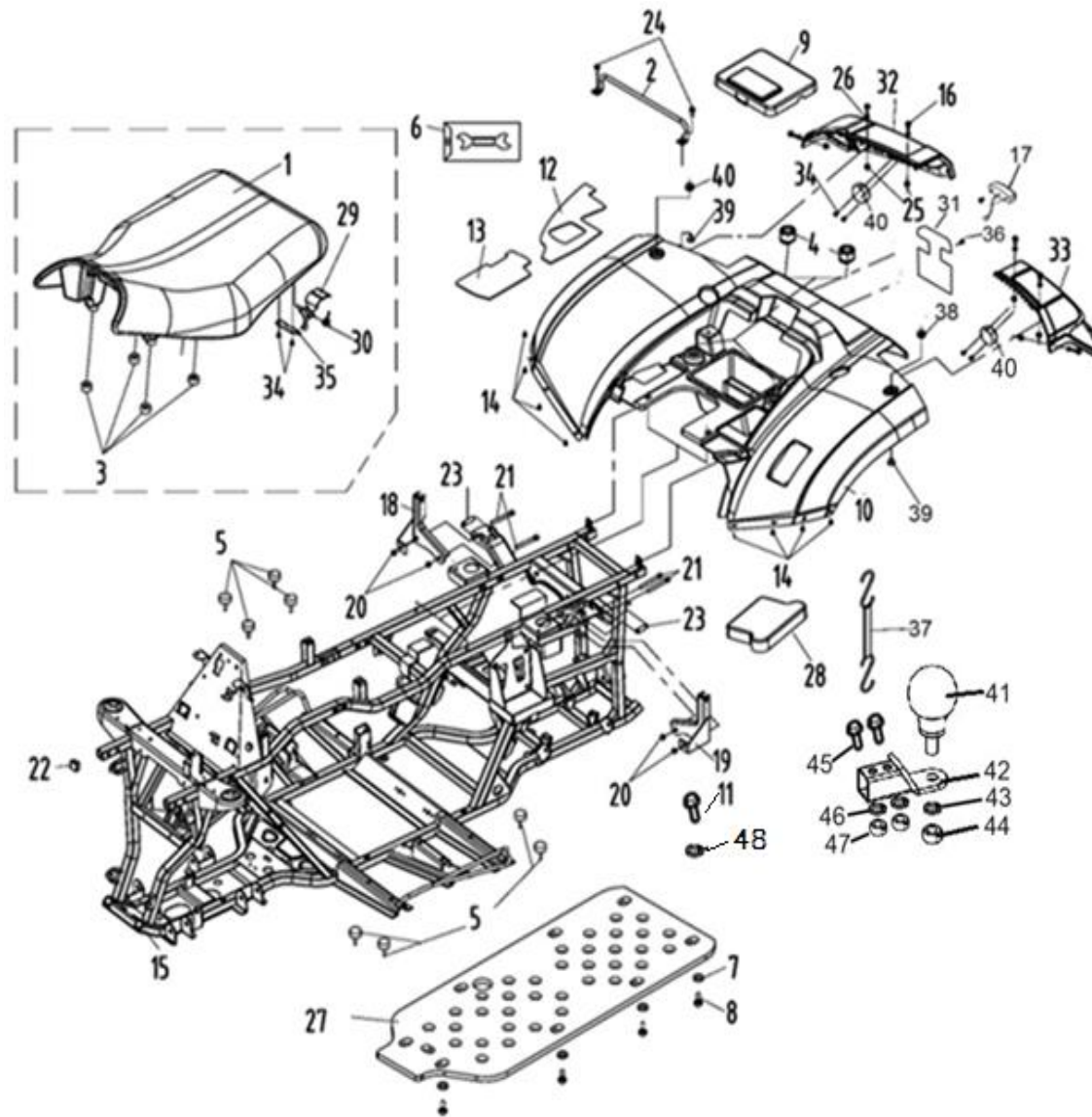


Fig No	PL-nummer	Varenavn	Art name	Oe-ref	Antal/Qty
1	9035035	Sæde sort	Seat black only		1
1	9058465	Sæde sort m/rød stribe	Seat red stripe		1
1	9058466	Sæde sort m/hvid stribe	SEAT White stripe		1
1	N.A		Seat	25326	1
2	N.A		LATCH ASSEMBLY	35836	1
3	9030711	Gummiduppe forrest	RUBBER, SEAT SETTING 1	25042	6
4	9039611	Gummidæmper	RUBBER , SEAT SETTING 2	70445	2
5	9039611	Gummidæmper	RUBBER PAD	70445	8
6	N.A		TOOL	25044	1
7	N.A		WASHER 6	20331	8
8	N.A		BOLT M6X18	10191	8
9	9030713	Værktøjskasse låg	TOOL BOX CAP	25045a	1
10	N.A		REAR FENDER	35756	1
11	9029912	Bolt M8X20	BOLT M8X20	10035	2
12	9030925	Beskyttels folie	REAR MUD ADIABATIC PELLICLE 1	25048	1
13	9030927	Beskyttels folie	REAR MUD ADIABATIC PELLICLE 2	25049	1
14	9039399	Skrue 6X16	SCREW M6X16	10420	8
15	N.A		FRAME ASSY.	25327	1
16	N.A		SCREW M6X20	11099	6
17	9058058	Nummerpladelys	LENS,LICENSE LIGHT	83459	1
18	9057126	Fodhviler højre	TRESTLE RIGHT	25054	1
19	9057127	Fodhviler venstre	TRESTLE LEFT	25055	1
20	9050236	Bolt M8X70	BOLT M8X70	25056	2
21	9050207	Møtrik M8	NUT 8	10776	4
22	N.A		RUBBER COVER	70287	4
23	N.A		SPACER	35838	4
24	9034420	Bolt M6X12	BOLT M6X12	10140	2
25	9050206	Møtrik M6	NUT	10006	2
26	9050201	Planskive	WASHER 6	10004	16
27	N.A		PLASTIC PLANT	25336	1
28	9057129	Batteri dæksel	BATTERY COVER	35078	1

29	9049268	Låsekrog	HOOK BRACKET, SEAT LOCK	70788	1
30	9049217	Fjeder f/låsekrog	SPRING	70802	1
31	N.A		BRACKET, LENS,LICENSE LIGHT	27606	1
32	9039444	Lygteafdækning højre	TAILLIGHT COVER, R	27383	1
33	9039443	Lygteafdækning venstre	TAILLIGHT COVER, L	27382	1
34	N.A		SCREW ST4.2X13	10178	8
35	N.A		BAFFLE.SEAT	70803	1
36	9039399	Skrue 6X16	SCREW M6X16	10420	2
37	9030030	Batteristrop	TIE	22018	1
38	N.A		COVER BUFFER	70449	2
39	N.A		SPACER, COVER BUFFER	70543	2
40	N.A		REAR TURNLIGHT COVER	35840	2
41	N.A		PULL THE BALL (E13 55R-014154)	25294	1
42	9057941	Træk	THE TRACTION BALL WELDING	25295	1
43	N.A		WASHER 22	10816	1
44	N.A		NUT W7/8"-14	11218	1
45	N.A		BOLT 16X95	10947	2
46	N.A		WASHER 16	11060	2
47	9050210	Møtrik M16	NUT M16	10874	2
48	9050207	Møtrik M8	NUT 8	10099	1

Fortsættes

Fig 4

Forskærm/dele/ramme front body&frame

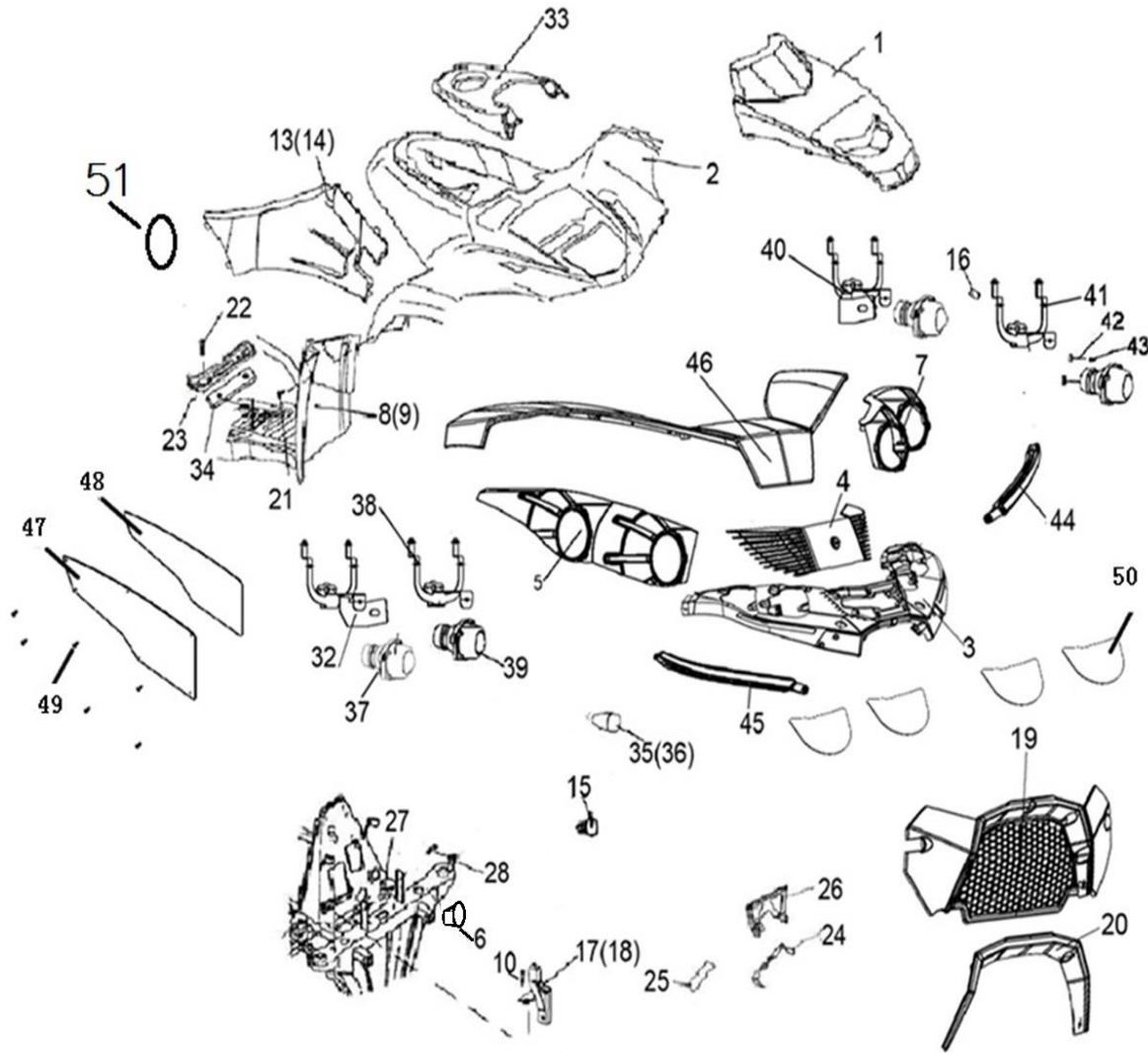


Fig No	PL-nummer	Varenavn	Art name	Oe-ref	Antal/Qty
1	9030719	Forskærm afdækning	FRONT COVER	25064	1
2	N.A		FRONT BODY	25281	1
2	9045041	Lygtepanel grøn	Front Body Cover	27420G	1
	9045189	Lygtepanel rød	Front Body Cover	27420R	1
3	9057132	Lygtepanel Sort	FRONT BODY COVER	27420	1
4	9045068	Frontgrill øverst	FRONT COVER	27421	1
5	9045042	Lygtehus H/forlygte	PROTECTOR.R.HEADLIGHT	27422	1
6	9030675	Gummiduppe stel	RUBBER PAD	20316	2
7	9045043	Lygtehus V/forlygte	PROTECTOR.L.HEADLIGHT	27423	1
8	9030724	Trinbræt Højre	FOOTREST RIGHT	25071	1
9	9030725	Trinbræt Venstre	FOOTREST LEFT	25072	1
10	9034420	Bolt M6X12	BOLT M6X12	10140	2
11	N.A		FRONT BODY BRACKET R	27350	1
12	N.A		FRONT BODY BRACKET L	27390	1
13	9030726	Side motorbeskyttelse højre	SIDE COVER R	25076	1
14	9030727	Side motorbeskyttelse venstre	SIDE COVER L	25077	1
15	N.A		BULB,HEADLIGHT 35W/35W	103.02102	4
16	9039436	Kugleforbindelse	BALL JOINT, HEADLIGHT	27371	4
17	N.A		TRESTLE R	27424	1
18	N.A		TRESTLE L	27425	1
19	9045046	Frontgrill	PLATE, FRONT RACK	27426	1
20	9057139	Mellemstykke front	INSERTS, FRONT RACK	27427	1
21	9039399	Skrue M6X16	SCREW M6X16	10420	8
22	9057953	Skrue M6X20	SCREW M6X20	10127	4
23	N.A		STEP	70336	2
24	N.A		DOWN BRACKET RADIATOR	20413	1
25	9030995	Gummiunderlæg benzintank	SPACER RUBBER	20414	1
26	N.A		UP BRACKET RADIATOR	27793	1
27	9050206	Møtrik M6	NUT M6	10004	2
28	N.A		BOLT M6X12	10140	2
31	9041089	Pære 12V 10W orange	10W (ONLY FOR EUROPE)	32045	2
32	9057142	Beslag forlygte højre	HIGH BEAM BRACKET, R	27428	1

33	N.A		COVER,FUEL TANK TOP	35561	1
34	9057144	Gummiunderlæg	RUBBER WASHER	70300	2
35	9050389	Blinklygte venstre front	TURN INDICATE LIGHT,L,FR	83365	1
36	9050388	Blinklygte Højre front	TURN INDICATE LIGHT,R,FR	83364	1
37	9057946	Forlygte	DIPPED HEADLIGHT	83373	2
38	9057148	Beslag kørelyget højre	DIPPED HEADLIGHT BRACKET, R	27431	1
39	N.A		HIGH BEAM	27610	2
40	9057150	Beslag forlygte venstre	HIGH BEAM BRACKET, L	27432	1
41	9057151	Beslag kørelygte venstre	DIPPED HEADLIGHT BRACKET, L	27433	1
42	N.A		ADJUSTMENT BOLT, HEADLIGHT	27372	8
43	N.A		SPRING	27373	8
44	9045044	Ledlygte venstre for	LED LIGHT, L	27434	1
45	9045045	Ledlygte højre for	LED LIGHT, R	27435	1
46	9050383	Front cover over lygter sort	BOARD, FRONT COVER	27611	1
47	N.A		LEG BAFFLEL	27613	1
48	N.A		ADIABATIC PELLICLE, LEG BAFFLEL	27614	1
49	N.A		SCREW ST4.2X13	10178B	6
50	N.A		REFLECTIVE DECALS, HEADLIGHT	27612	4
51	N.A		LEFT SIDE COVER	35843	1

Fortsættes

Fig 5

Bærearmer/fjederben / A-arm

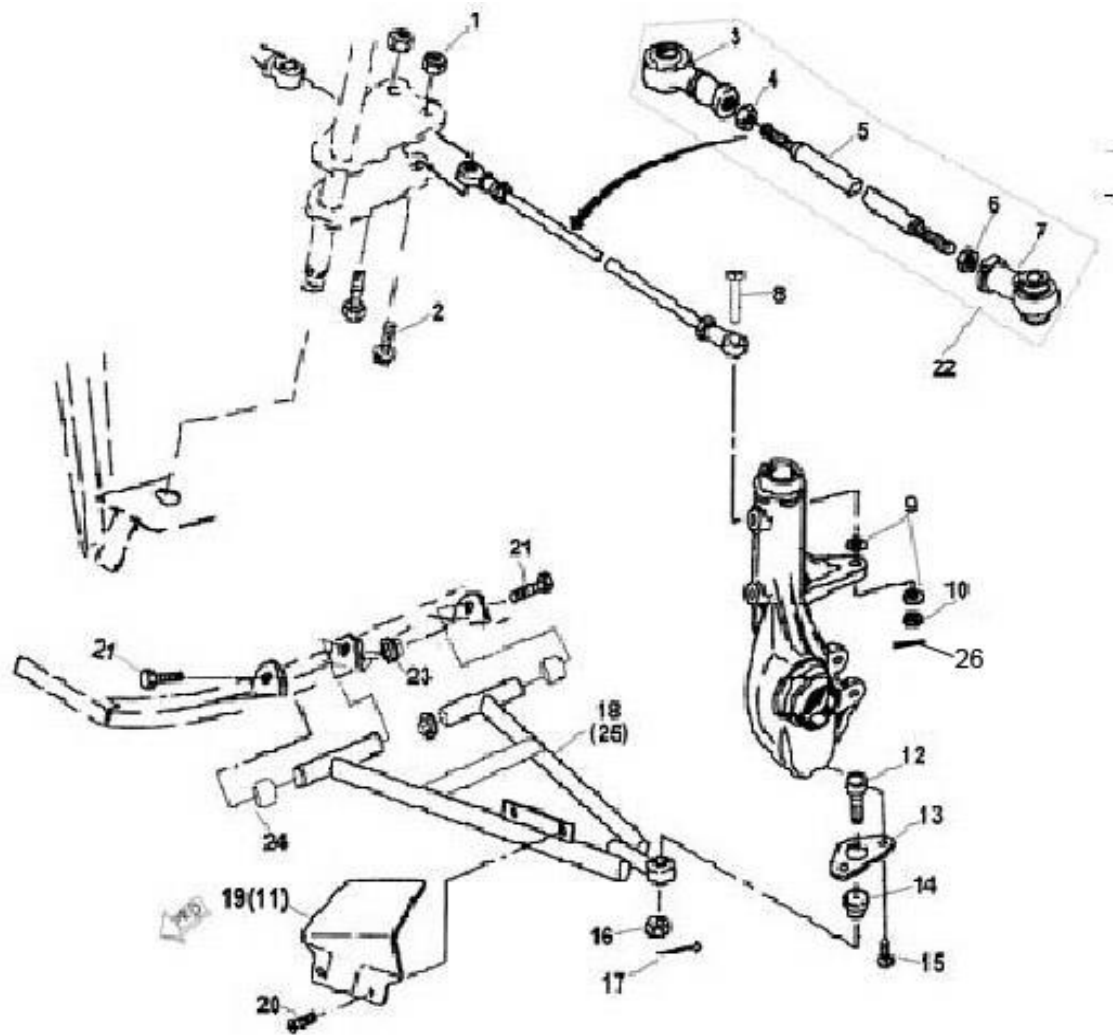


Fig No	PL-nummer	Varenavn	Art name	Oe-ref	Antal/Qty
1	9031005	Møtrik M10X1,25 flange	NUT M10X1.25	10015	2
2	N.A		BOLT M10X1.25X57	27794	2
3	9030065	Sporstangsende B	TIE ROD END B (RIGHT)	20507	2
4	N.A		JAM NUT(RIGHT)	10017	2
5	N.A		TIE ROD	25095	2
6	N.A		JAM NUT(LEFT)	20506	2
7	9030064	Sporstangsende A	TIE ROD END A (LEFT)	20503	2
8	N.A		BOLT M10X1.25X55	10018	2
9	9033907	Skive	WASHER	10019	4
10	9024909	Møtrik krone M10X1,25	NUT M10X1.25	10020	2
11	9036799	Split	COTTER PIN	10021	4
12	9030061	Bæream's tap	BALL JOINT STUD	20512	2
13	9030062	Holder bæreams tap	BALL JOINT MOUNTING BRACKET	20513	2
14	9029797	Gummi støvkappe/manchet	BALL JOINT CUP	20514	2
15	9034773	Bolt M6X12	BOLT M6X12	10022	4
16	N.A		NUT M10X1.25	27067	2
17	9036799	Split	COTTER PIN 2.5X25	10021	2
18	9030009	Bæream venstre	A-ARM LEFT	20518F	1
19	9030010	Bæream's beskytter venstre	A - ARM SHIELD LEFT	20519	1
20	9033898	Skrue M5X12	SCREW M5X12	10001	4
21	9049609	Akselbolt for øverste bæream	A-ARM PIVOT SHAFT	27077	2
22	9030063	Sporstang komplet	TIE ROD ASSY	20629B	2
23	9033896	Møtrik M12X1,25	NUT M12X1.25	10136	4
24	9029799	Bøsning f/bæream	BUSHING	20524f	4
25	9029800	Bæream højre	A-ARM RIGHT	20627F	1
26	9036799	Split	COTTER PIN	10021	2

Fig 6 Bagsvinger/Swingarm assy

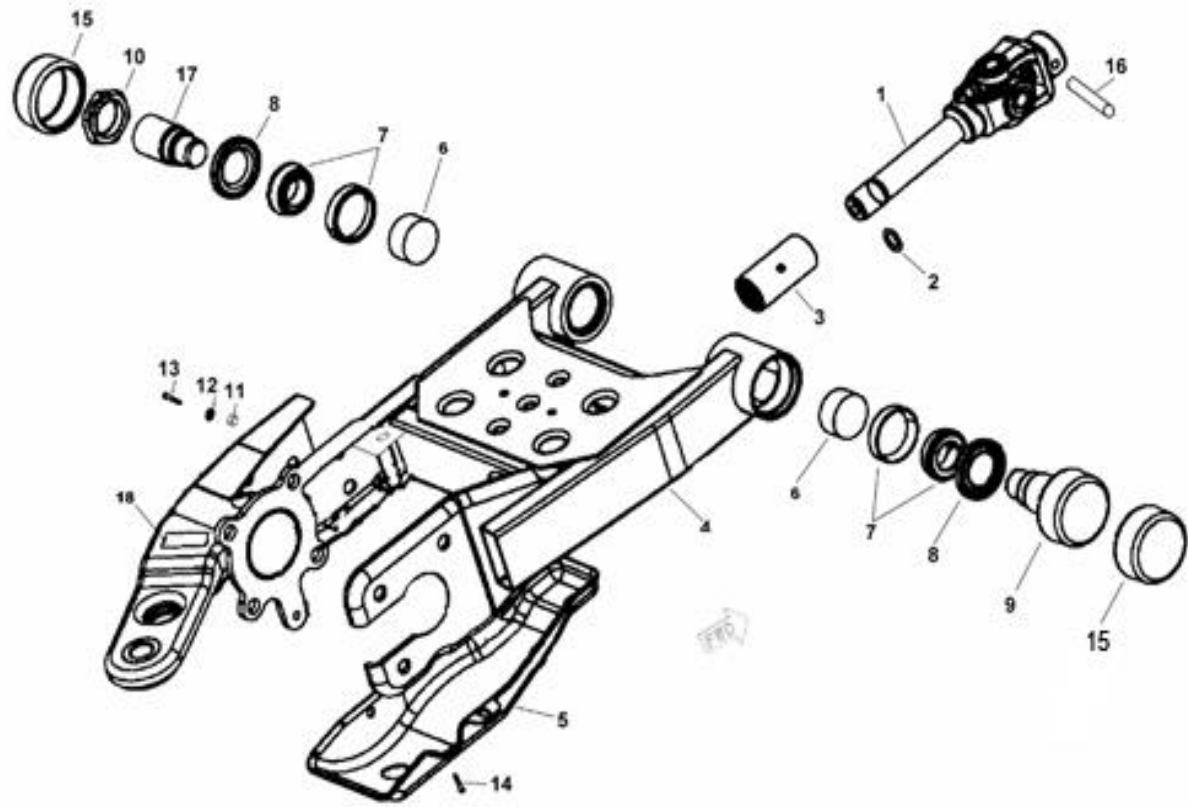


Fig No	PL-nummer	Varenavn	Art name	Oe-ref	Antal/Qty
1	9030733	Kardanaksel bagerst	REAR PROPSHAFT ASSY	25098	1
2	N.A		O-RING	11039	1
3	9029597	Koblings bøsning f/kardan	COUPLING-PROP SHAFT GREASED	20703	1
4	9030734	Bagsvinger komplet	SWINGARM ASSY	25099	1
5	9029639	Beskyttelsesplade	SKID PLATE REAR	20705	1
6	9029802	Pakning/støvbeskytter	SEAL-SWINGARM PIVOT	20706	2
7	9030068	Rulleleje konisk	BEARING	10030	2
8	9030069	Pakdåse 32X54X6,5	SEAL	20708	2
9	9030070	Svingarms akseltap højre	SWING ARM PIVOT RIGHT	20709	1
10	9033839	Gevindprop	THREADED PIVOT	20710	1
11	9050209	Møtrik M12	NUT M12	10031	3
12	9050204	Planskive M12	WASHER 12	10032	3
13	N.A		BOLT M12X35	10033	3
14	N.A		BOLT M8X12	10034	3
15	9030066	Lukkeprop/dæksel	CAP SWINGARM PIVOT	20715	2
16	N.A		ROLL PIN	20716	1
17	9030067	Svingarms akseltap venstre	SWINGARM PIVOT LEFT	20717	1
18	N.A		SPONGY GASKET	20718	1

Fig 7

Forhjul/nav/Wheel front

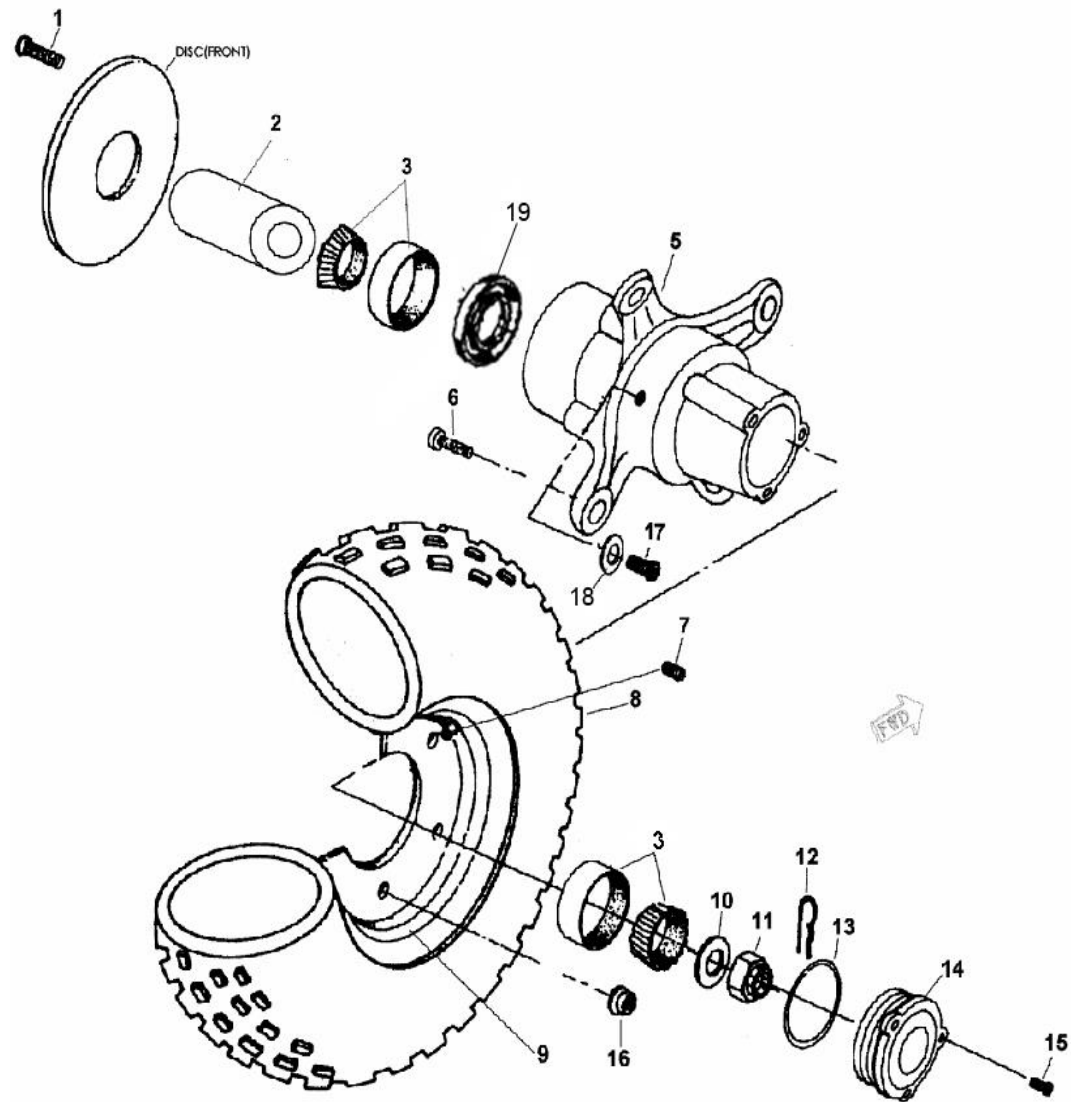


Fig No	PL-nummer	Varenavn	Art name	Oe-ref	Antal/Qty
1	9029912	Bolt M8X20	BOLT M8X20	10035	8
2	N.A		SPACER (NOT FOR 4WD)	20802	2
3	9030068	Rulleleje konisk	BEARING (ONLY FOR 2WD)	10030	4
3	9030068	Rulleleje konisk	BEARING (ONLY FOR 4WD)	10030	2
5	9031009	Forhjulsnav 2WD	HUB ASSY SHRT	20805	2
	9036441	Forhjulsnav 4WD	HUB ASSY SHRT (FOR 4WD)	20805a	2
6	9029914	Hjulbolt Forhjul (Alufælg)	WHEEL STUD	20806S	8
6	9031010	Hjulbolt forhjul (Stålfælg)	WHEEL STUD	20806	8
7	9029813	Ventil f/slangeløs	VALVE.RIM (PVR70) FOR IRON WHEEL)	20807	4
8	N.A		TIRE FRONT (MARK IN "DURO")	20808	2
9	9049031	Forhjul komplet 24X8.00-12	WHEELFRONT (IRON AND ARGENTINE)	25100	2
10	9050205	Planskive M16	WASHER 16	10037	2
	N.A		WASHER (FOR 4WD)	20810	2
11	N.A		SLOTTED NUT M16X1.5	20811	2
	9030071	Kronemøtrik M16X1,5	SLOTTED NUT (FOR 4WD)	20811A	2
12	9036799	Split	COTTER PIN	10051	2
13	9029866	O-Ring 45X2,5	O-RING	10039	2
14	9029803	Navkapsel AWD	HUB CAP 2-LOBE AWD	20814	2
15	N.A		SCREW M5X16	10040	6
16	9031005	Møtrik M10X1,25 flange	LUG NUT M10X1.25 (BLACK FOR IRON)	10015	8
17	9031006	Olieprop	LUG	20817	1
18	9031007	Skive	WASHER	20818	1
19	9040321	Pakdåse forhjul 66,6X82,5X12,8	SEAL SLEEVE 66.6x82.5x12.8	20804	2

Fig 8

Støddæmper/bagtøj/Shock absorber rear axle

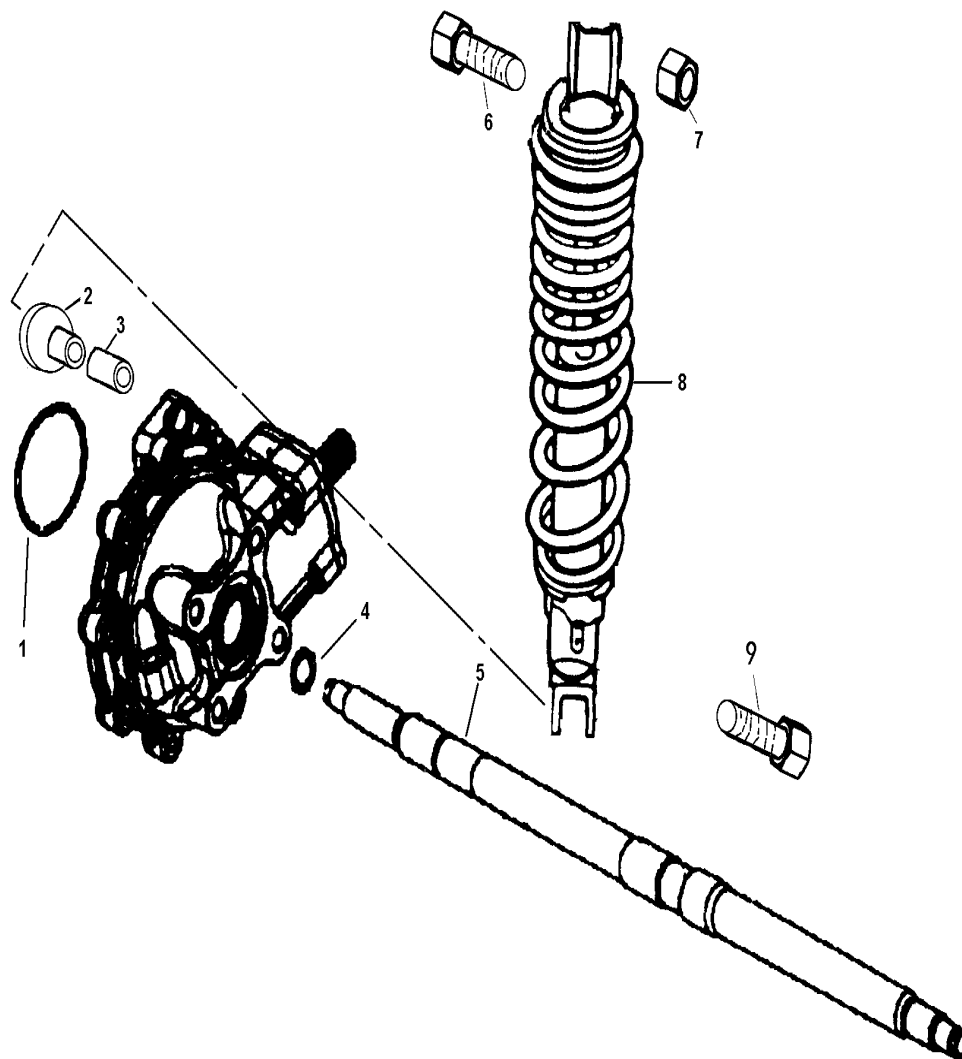


Fig No	PL-nummer	Varenavn	Art name	Oe-ref	Antal/Qty
1	9030025	O-ring	O-RING	20901	1
2	9030016	Gummidæmper	CUSHION PAD	20902	2
3	9030017	Bøsning	SPACER-BEARING	20903	1
4	N.A		O-RING	11041	2
5	9030736	Bagaksel "EU Model Bremsesystem"	REAR AXLE (FOR EUROPE AND PARKING SYSTEM I)	25102	1
6	N.A		UP BOLT M10X1.25X57	20906	1
7	9031005	Møtrik M10X1,25 Flange	NUT M10X1.25	10015	2
8	9030737	Støddæmper Bag	SHOCK ABSORBER REAR	25104	1
9	9030072	Bolt M10X57X1,25	DOWN BOLT M10X1.25X57	20909	1

Fig 9

Baghjul/Wheel Rear "for Europe"

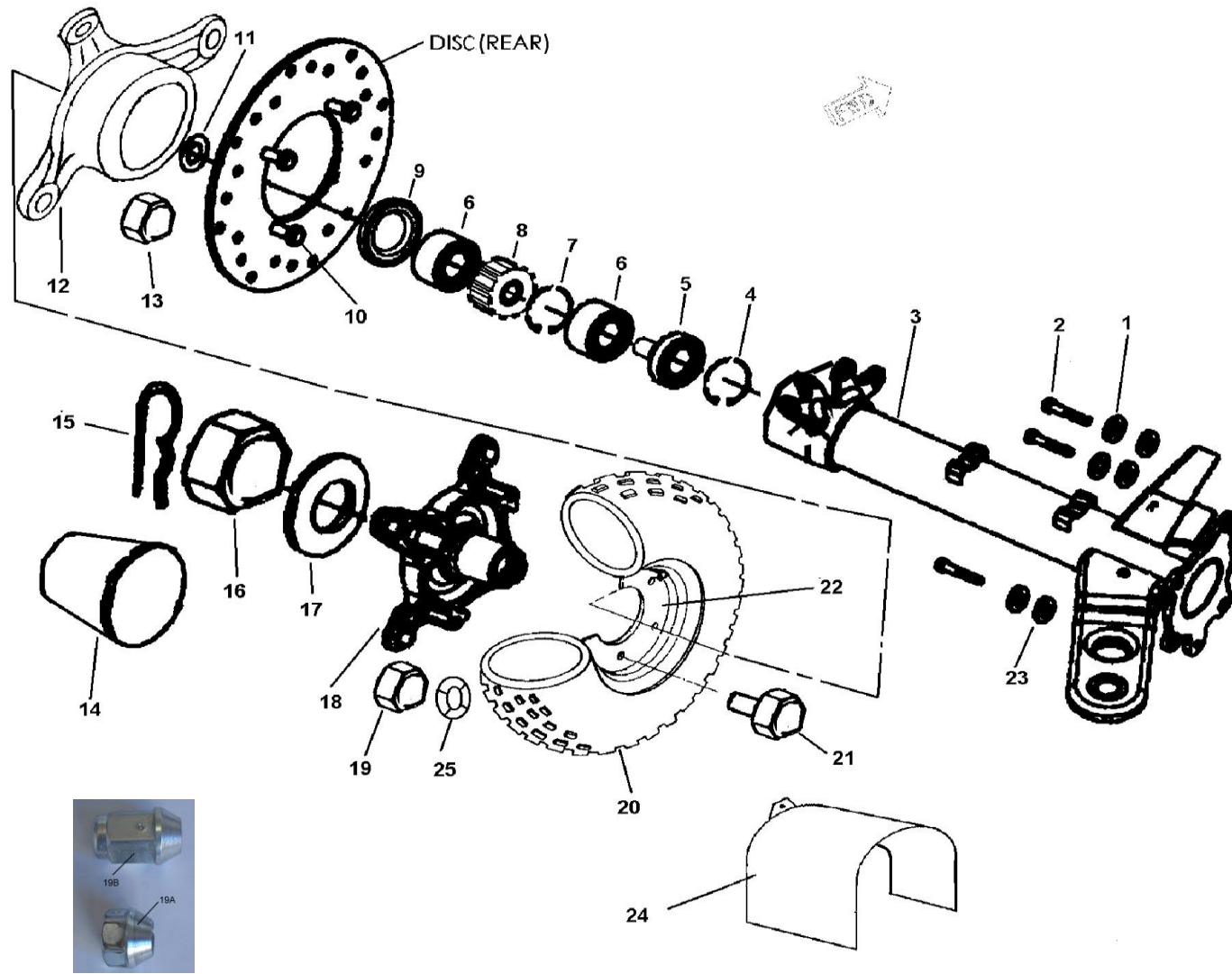


Fig No	PL-nummer	Varenavn	Art name	Oe-ref	Antal/Qty
1	9050204	Planskive M12	WASHER 12	10032	8
2	9050250	Bolt M12X30	BOLT M12X30	10045	8
3	N.A		AXLE TUBE AND HITCH ASSEMBLY	29823	1
4	9029820	Låsering indvendig	RING RETAINER INT	21004	1
5	9030091	Afstandsbojsning	SPACER	21005	1
6	9030074	Baghjuls leje	BEARING BALL DBL SEAL	10046	2
7	9029821	Låsering indvendig	RING RETAINER INT	10047	1
8	N.A		SPACER-BEARING	31008	1
9	9030076	Pakdåse bagaksel	SEAL REAR AXLE	21009	2
10	9029817	Bolt m10X20X1,25	BOLTS M10X1.25X20	10048	6
11	N.A		O-RING	11040	1
12	9029640	Nav for bremseskive	HUB BRAKE DISC MACH	21012	1
13	N.A		NUT M10X1.25	10050	6
14A	9030738	Navkapsel højre	AXLE CAP, R	25106	2
14B	9030073	Navkapsel venstre	AXLE CAP, L	21014	2
15	9036799	Split	COTTER PIN	10051	2
16	9030020	Kronemøtrik M20X2	NUT SLOTTED M20X2	11042	2
17	N.A		WASHER	21017	2
18	9030021	Hjulnav	WHEEL HUB	21018	2
19	9039520	Hjilmøtrik M12X1,25	LUG NUT M12X1.25	21019	8
20	9030022	Dæk bag	TIRE REAR (MARK IN "DURO")	31020	2
20	9031094	Landevejsdæk bag 285/65-10	Tire Rear Road Use	31020R	2
21	9029868	Hjulfbolt	WHEEL STUD M12X1.25X45	10053	8
21	9029915	Hjulfbolt ALU M12X45X1,25	Wheel stud Alu rims	10053S	8
22	9031018	Baghjul Stål	WHEEL REAR (IRON AND ARGENTINE)	21022a	2
23	9050204	Planskive M12	WASHER 12	10054	8
24	N.A		BRAKE HOSE COVER	31024	2
25	9053606	Låsering f/hjulfbolt	WHEEL WASHER	21026	8

Fig 10

Bag diffrentiale/ Rear Gear-Box

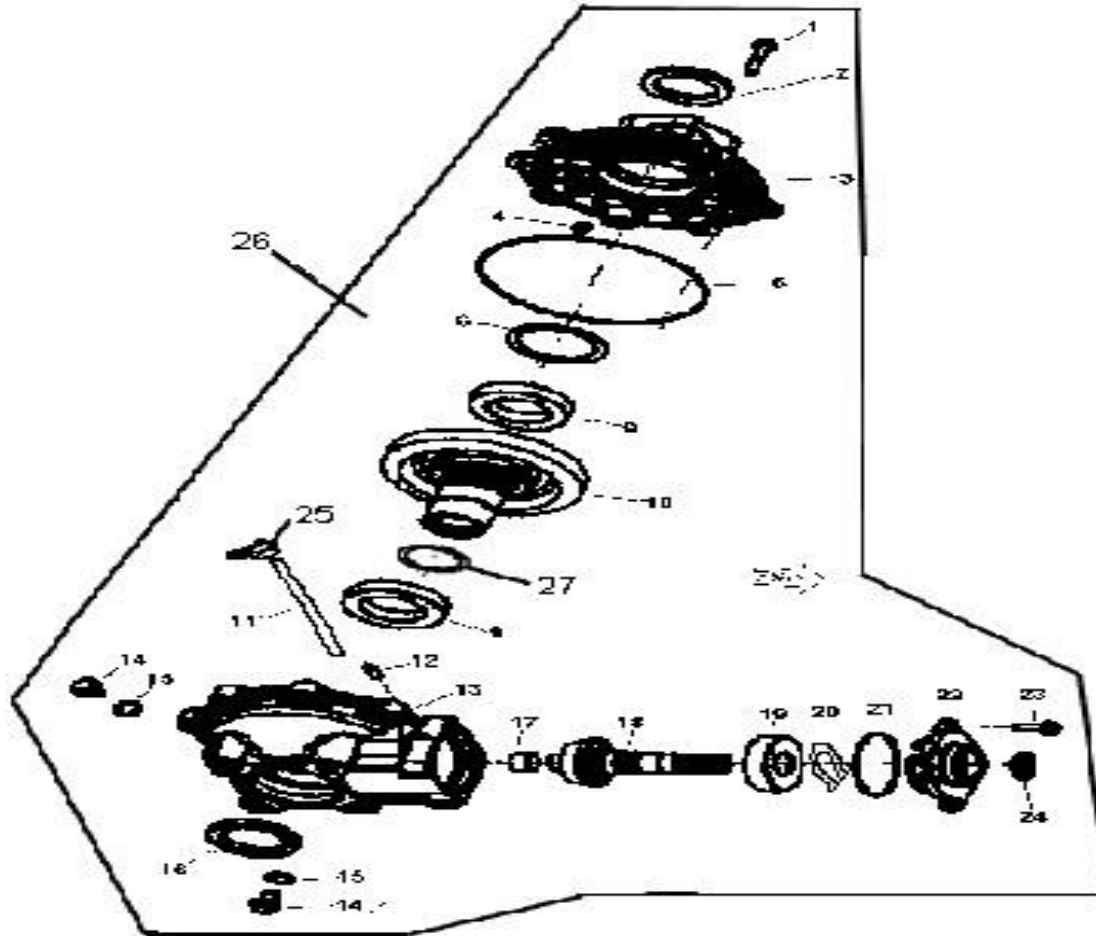


Fig No	PL-nummer	Varenavn	Art name	Oe-ref	Antal/Qty
1	N.A		BOLT M8X45	10055	2
2	9030024	Pakdåse 50X70X8	SEAL 50X70X8	21102	1
3	N.A		OUTPUT COVER	21103	1
4	N.A		DOWEL PIN	21104	1
5	9030027	O-Ring 176X2,65mm	O-RING 176X2.65	21105	1
6	N.A		SHIM	21106	1
7	N.A		SHIM D	21107	1
8	N.A		THRUST BUTTON	21108	1
9	9033905	Leje	BEARING 110	10056	2
10	9033870	Kronhjul	RING GEAR	21110	1
11	9033871	Udluftning	VENT	21111	1
12	9034516	Ventil udluftning	BEARING	21112	1
13	N.A		DRIVE HOUSING	21113	1
14	9033874	Olieprop	OIL PLUG	21114	2
15	9033875	Skive	WASHER	21115	2
16	9030024	Pakdåse 50X70X8	SEAL 50X70X8	21102	1
17	9030673	Bøsning 23X20X15	BUSHING P23X20X15	10057	1
18	9033878	Spidshjulsaksel	PINION SHAFT	21118	1
19	9029601	Kugleleje	BEARING 6306ST	10058	1
20	9029641	Låsering 30	RETAINER 30	21120	1
21	9049596	O-ring 79X2,65	O-RING 79X2.65	20901A	1
22	9033884	Dæksel f/indgangsaksel	INPUT COVER	21122	1
23	9033887	Bolt M8X25	BOLT M8X25	10059	10
24	9030026	Pakdåse 25X35X5	SEAL 25X35X5	21124	1
25	N.A		CLAMP	25107	1
26	9029570	Bagtøj komplet	REAR GEARBOX ASSY	21125	1
27	N.A		O-RING 35.5X3.55	25609	1

Fig 11

Gearkasse/Transmission 2WD

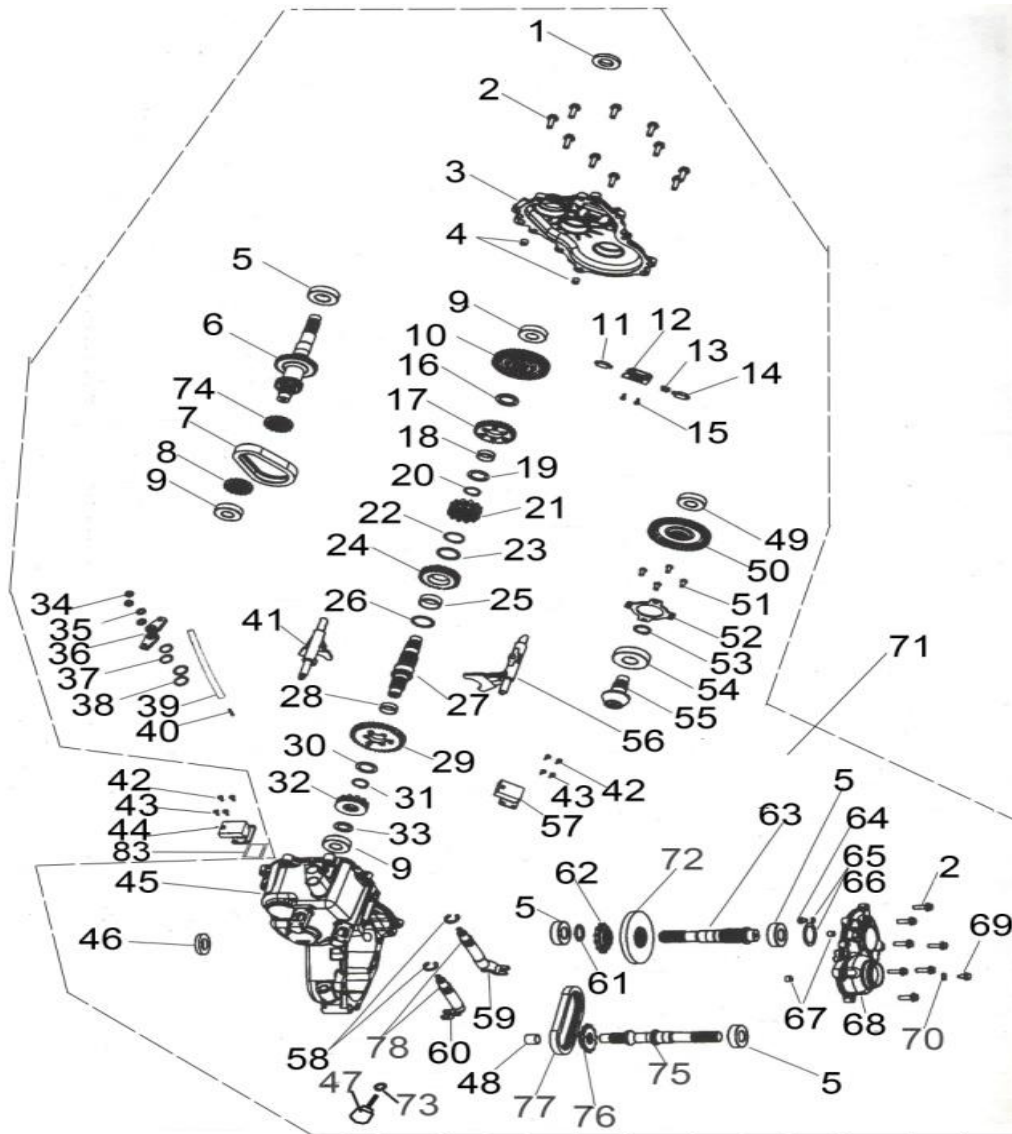


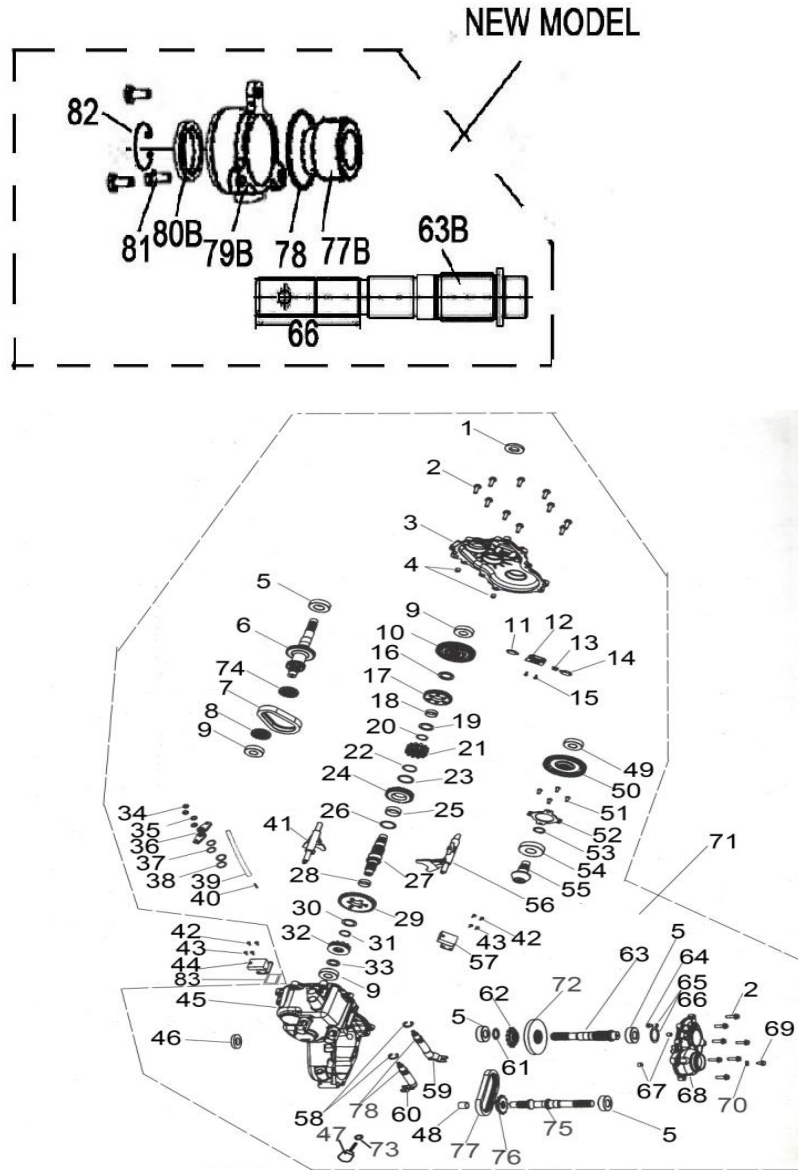
Fig No	PL-nummer	Varenavn	Art name	Oe-ref	Antal/Qty
1	9029642	Pakdåse 25X47X8	SEAL 25X47X8	21201	1
2	9033941	Bolt M8X28	BOLT M8X28	10060	17
3	9033953	Geardæksel	MAIN COVER	21203b	1
4	9033895	Styretap	DOWEL PIN	21104	2
5	9033978	Leje 6205C3	BEARING 6205c3	10061	3
6	9033990	Indgangsaksel	INPUT SHAFT	21206b	1
7	9042315	Kæde	CHAIN	21207	1
8	9034018	Kædehjul 16T	GEAR 16T	21208	1
9	9038575	Kugleleje 6204	BEARING 6204	10062	3
10	9042317	Tandhjul 35T "kæde"	GEAR, HELICAL 35T	21210	1
11	9034030	Låsepal	INTERLOCK PIN	21211	1
12	9033932	Låsebeslag	INTERLOCK BRACKET	21212	1
13	9042318	Fjeder	SPRING	21213	1
14	9034030	Låsepal	INTERLOCK PIN	21211	1
15	9033898	Skrue M5X12	SCREW M5X12	10001	2
16	9042319	Afstandsskive	SPACER	21216	1
17	9042320	Tandhjul 31T	GEAR 31T	21217	1
18	9030970	Nåleleje 25X29X10	NEEDLE BEARING 25	21218	1
19	9030946	Trykskive	THRUST WASHER	21219	1
20	9033942	Låsering	SNAP RING	10064	1
21	9030948	Skiftemuffe	DOG GEAR	21221	1
22	9033944	Låsering	SNAP RING	10065	1
23	9033945	Trykskive	THRUST WASHER	21223	1
24	9033946	Gearhjul 24T	SPROCKET 24T	21224	1

25	9033947	Nåleleje 25	NEEDLE BEARING 25	21225	1
26	9033945	Trykskive	THRUST WASHER	21223	1
27	9033949	Aksel	SHAFT	21327	1
28	9030970	Nåleleje 25	NEEDLE BEARING 25	21218	1
29	9033951	Tandhjul 35T	GEAR 35T	21329	1
30	9033945	Trykskive	THRUST WASHER	21223	1
31	9033942	Låsering	SNAP RING	10064	1
32	9033956	Griber skifteklo	ENGAGEMENT	21332	1
33	9033957	Trykskive	THRST WASHER	21333	1
34	9050207	Møtrik M8	NUT M8	10067	2
35	9050202	Planskive	WASHER 8	10068	2
36	9030968	Forbindelses led	BELLCRANK	21336	2
37	9033961	Låsering	SNAP RING	10069	2
38	9033962	Skive	WASHER	21338	2
39	9033963	Udluftningsslange	VENT TUBE	21339	1
40	9033966	Udluftningsventil	VENT TUBE FITTING	21340	1
41	9033967	Skiftegeffel frem/bak	SHIFT FORK HIGH/REVERSE	21341	1
42	9034061	Skrue M4	SCREW M4	10007	8
43	9033969	Skive M4	WASHER 4	10071	8
44	9029643	Gear indikator kontakt	GEAR INDICATOR SWITCH	21344	1
45	9033972	Gearkasse hus f/føler	GEARCASE,RH	21345b	1
46	9029642	Pakdåse 25X47X8	SEAL 25X47X8	21201	1
47	9029644	Oliepind	DIPSTICK	21475	1
48	N.A		SCREW	10219	1
49	9033976	Leje 6204C3	BEARING 6204C3	10063	1
50	9042331	Tandhjul 46T	GEAR HELICAL 46T	21350	1
51	9033980	Skrue M6X10	SCREW M6X10	10073	4
52	9030964	Låseplade	BEARING RETAINER PLATE	21351	1

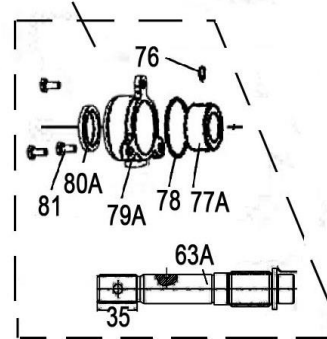
53	9033982	Låsering	SNAP RING	21453	1
54	9033983	Kugleleje 6305ST	BEARING 6305ST	10074	1
55	9033984	Drivaksel 10T	PINION SHAFT 10T	21455	1
56	9033985	Skiftegaffel lav gear	SHIFT FORK LOW	21456	1
57	9030676	Gearkontakt nederst	GEAR INDICATOR SWITCH	21457	1
58	9033987	Låsering	SNAP RING	10075	2
59	9033988	Skiftearm/aksel	SHIFT ROD LOW	21459	1
60	9033991	Skiftearm/aksel Høj/bak	SHIFT ROD HIGH/REVERSE	21460	1
61	9033992	Trykskive	THRUST WASHER	21461	1
62	9030955	Kronhjul	GEAR	21462	1
63B	9039571	Udgangsaksel	SHAFT REAR OUTPUTA (USE WITH SPEED SENSOR) (NEW MODEL)	70354	1
65	9030957	Shim 1	SHIM 1	21465	1
67	9033895	Styretap	DOWEL PIN	21104	2
68	9034001	Dæksel	COVER	21468	1
69	9030959	Bundprop	DRAIN SCREW	21469	1
70	9034005	Skive	WASHER	21470	1
71	N.A		TRANSMISSION ASSY	21471a	1
71	9044858	Gearkasse komplet 2WD	Transmission ASSY	21471	1
72	9030953	Olieplade	OIL PLATE	21473	1
73	9029773	O-Ring 18X2,65	O RING 18X2.65	10122	1
74	9034009	Tandhjul	SPROCKET	21477	1
75	9029714	O-Ring 14X2,65	O RING 14X2.65	10123	4
77B	9034107	Krave "ny model"	COLLAR(NEW MODEL)	25511A	1
78	9034014	O-Ring 50X1,5	O RING 50X1.5	25512	1

Fig 12

Gearkase/Transmission/Speedsensor



OLD MODEL



NEW MODEL

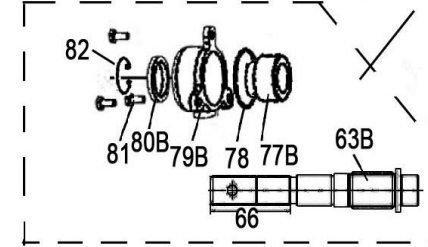


Fig No	PL-nummer	Varenavn	Art name	Oe-ref	Antal/Qty
79B	9034016	Sensor ring "ny model	SPEED SENSOR COVER(NEW MODEL)	25513A	1
80B	9034020	Pakdåse 30X40X5	SEAL30X40X5 (NEW MODEL)	27068	1
81	9034021	Bolt	BOLT	10010	3
82	9034022	Låsering 24 "new model"	CLAMP 24(NEW MODEL)	10164	1
83	N:A		GEAR INDICATOR SWITCH WASHER	25649	1

Fig 13

Gearkasse/Transmission 4WD

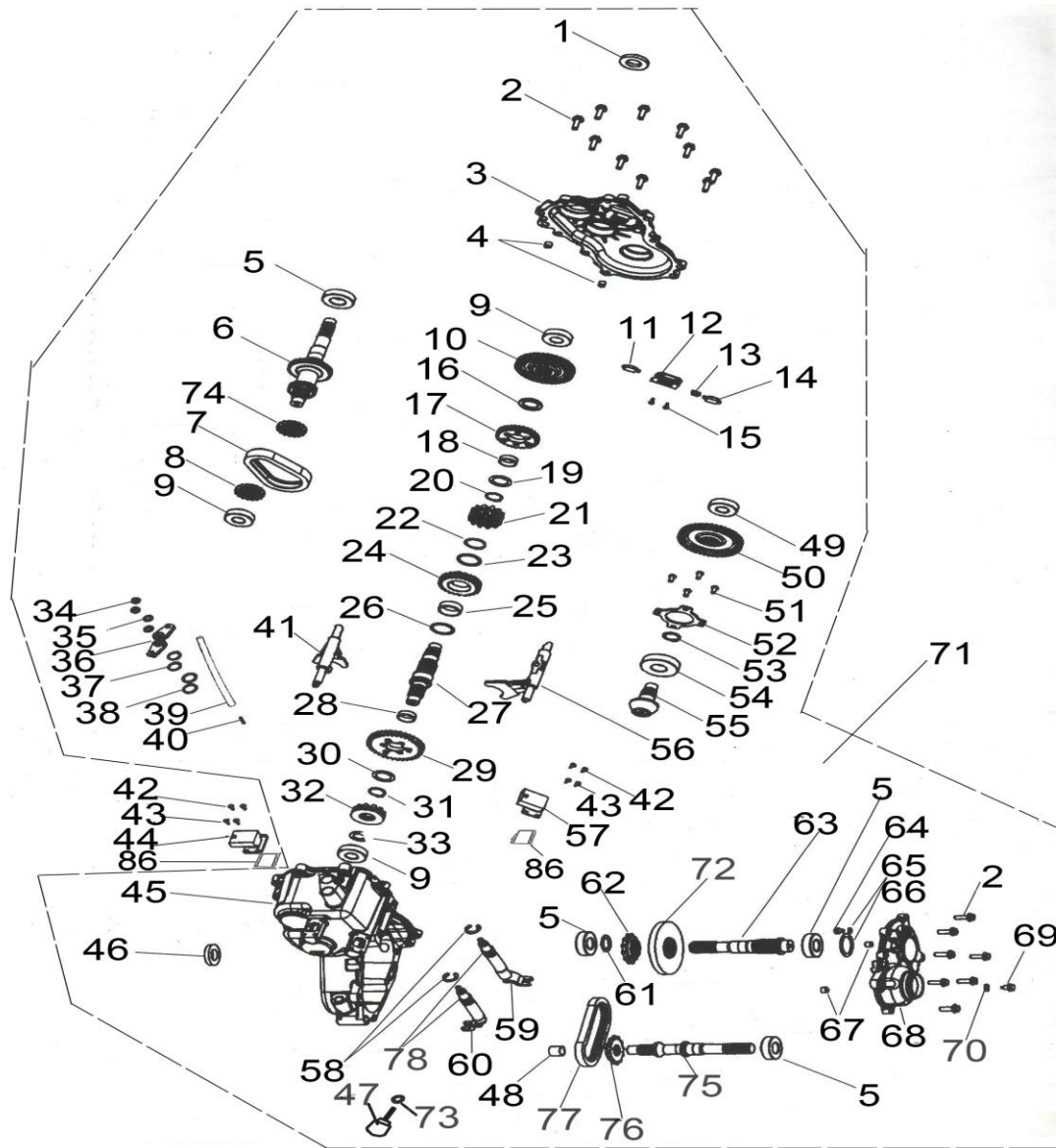


Fig No	PL-nummer	Varenavn	Art name	Oe-ref	Antal/Qty
1	9029642	Pakdåse 25X47X8	SEAL 25X47X8	21201	1
2	9033941	Bolt	BOLT M8X28	10060	17
3	9033893	Dæksel udgangsaksel	MAIN COVER	21203b	1
4	9033895	Styretap	DOWEL PIN	21104	2
5	9033978	Leje 6205	BEARING 6205c3	10061	3
6	9033990	Indgangs aksel 29T	INPUT SHAFT	21206b	1
7	9042315	Kæde	CHAIN	21207	1
8	9034018	Kædehjul16T	GEAR 16T	21208	1
9	9038575	Leje 6204	BEARING 6204	10062	3
10	9042317	Tandhjul 35T	GEAR,HELICAL 35T	21210	1
10	9033930	Tandhjul 31T	GEAR, HELICAL 31T	21210A	1
11	9033931	Låsepal	INTERLOCK PIN	21211	1
12	9033932	Låsebeslag	INTERLOCK BRACKET	21212	1
13	9042318	Fjeder	SPRING	21213	1
14	9033931	Låsepal	INTERLOCK PIN	21211	1
15	9033898	Skrue M5X12	SCREW M5X12	10001	2
16	9042319	Afstands skive	SPACER	21216	1
17	9042320	Tandhjul 31T	GEAR 31T	21217	1
18	9030970	Nåleleje 25X29X10	NEEDLE BEARING 25	21218	1
19	9030946	Trykskive	THRUST WASHER	21219	1
20	9033942	Låsering	SNAP RING	10064	1
21	9030948	Skiftemuffe	DOG GEAR	21221	1
22	9033944	Låsering	SNAP RING	10065	1
23	9033945	Trykskive	THRUST WASHER	21223	1
24	9033946	Gearhjul 24T	SPROCKET 24T	21224	1
25	9033947	Nåleleje 25	NEEDLE BEARING 25	21225	1
26	9033945	Trykskive	THRUST WASHER	21223	1
27	9033949	Aksel	SHAFT	21327	1
28	9030970	Nåleleje 25X29X10	NEEDLE BEARING 25	21218	1
29	9033951	Tandhjul 35T	GEAR 35T	21329	1
30	9033945	Trykskive	THRUST WASHER	21223	1

31	9033942	Låsering	SNAP RING	10064	1
32	9033956	Griber	ENGAGEMENT	21332	1
33	9033957	Trykskive	THRST WASHER	21333	1
34	9050214	Møtrik M8	NUT M8	10067	2
35	9050202	Planskive M8	WASHER 8	10068	2
36	9030968	Forbindelse	BELLCRANK	21336	2
37	9033961	Låsering	SNAP RING	10069	2
38	9033962	Skive	WASHER	21338	2
39	9033963	Udluftningsslange	VENT TUBE	21339	1
40	9033966	Udluftningsfitting	VENT TUBE FITTING	21340	1
41	9033967	skiftegeffel frem/bak	SHIFT FORK HIGH/REVERSE	21341	1
42	9033968	Skrue	SCREW M4	10007	8
43	9033969	Skive	WASHER 4	10071	8
44	9029643	Gearindikator kontakt øverst	GEAR INDICATOR SWITCH	21344	1
45	9033972	Gearkassehus højre	GEARCASE,RH	21345b	1
46	9029642	Pakdåse 25X47X8	SEAL 25X47X8	21201	1
47	9029644	Oliepind	DIPSTICK	21475	1
48	9034068	Bøsning	BUSHING	10275	1
49	9033976	Kugleleje	BEARING 6204C3	10063	1
	9042331	Tandhjul 46T	GEAR HELICAL 46T	21350	1
50	9033979	Tandhjul 51T	GEAR HELICAL 51T	25109	1
51	9033980	Skrue M6X10	SCREW M6X10	10073	4
52	9030964	Låseplade	BEARING RETAINER PLATE	21351	1
53	9033982	Låsering	SNAP RING	21453	1
54	9033983	Kugleleje	BEARING 6305ST	10074	1
55	9033984	Drivaksel 10T	PINION SHAFT 10T	21455	1
56	9033985	Skiftegeffel lav	SHIFT FORK LOW	21456	1
57	9030676	Gearkontakt nederst	GEAR INDICATOR SWITCH	21457	1
58	9033987	Låsering	SNAP RING	10075	2
59	9033988	skiftearm lav	SHIFT ROD LOW	21459	1
60	9033991	Skiftearm høj/bak	SHIFT ROD HIGH/REVERSE	21460	1
61	9033992	Trykskive	THRUST WASHER	21461	1
62	9042339	Kædehjul 12T	SPORCKET 12T	21483	1

63B			SENSOR) (NEW MODEL)	70354	1
64	9033997	Prop	THRUST BUTTON	21464	1
65	9030957	Justerskive 1	SHIM 1	21465	1
66	9033999	Justerskive 2	SHIM 2	21107	1
67	9033895	Styretap	DOWEL PIN	21104	2
68	9034001	Dæksel	COVER	21468t	1
69	9030959	Bundprop	DRAIN SCREW	21469	1
70	9034005	Skive	WASHER	21470	1
71	9030788	Gearkasse komplet 4WD	TRANSMISSION ASSY	21471t	1
72	9030955	Kronhjul	GEAR	21462	1
73	9029773	O-ring 18X2,65	O RING 18X2.65	10122	1
74	9034009	Tandhjul	SPROCKET	21477	1
75	9034100	Udgangsaksel	SHAFT FRONT OUTPUT	21480	1
76	9034101	Kædehul 12T	SPORCKET 12T	21481	1
77	9030677	Kæde	CHAIN	21482	1
78	9029714	O-ring 14X2,65	O RING 14X2.65	10123	4
80B	9034107	Krave "ny model"	COLLAR(NEW MODEL)	25511A	1
81	9034014	O-ring 50X1,5	O RING 50X1.5	25512	1
82B	9034016	Speedometer giver hus	SPEED SENSOR COVER(NEW MODEL)	25513A	1
83B	Pakdåse	Pakdåse 30X40X5	SEAL30X40X5 (NEW MODEL)	27068	1
84	9034021	Bolt	BOLT	10010	3
85	9034022	Låsering	CLAMP 24(NEW MODEL)	10164	1
86	N.A		GEAR INDICATOR SWITCH WASHER	25649	2

Fig 14

Ophæng/Support bracket

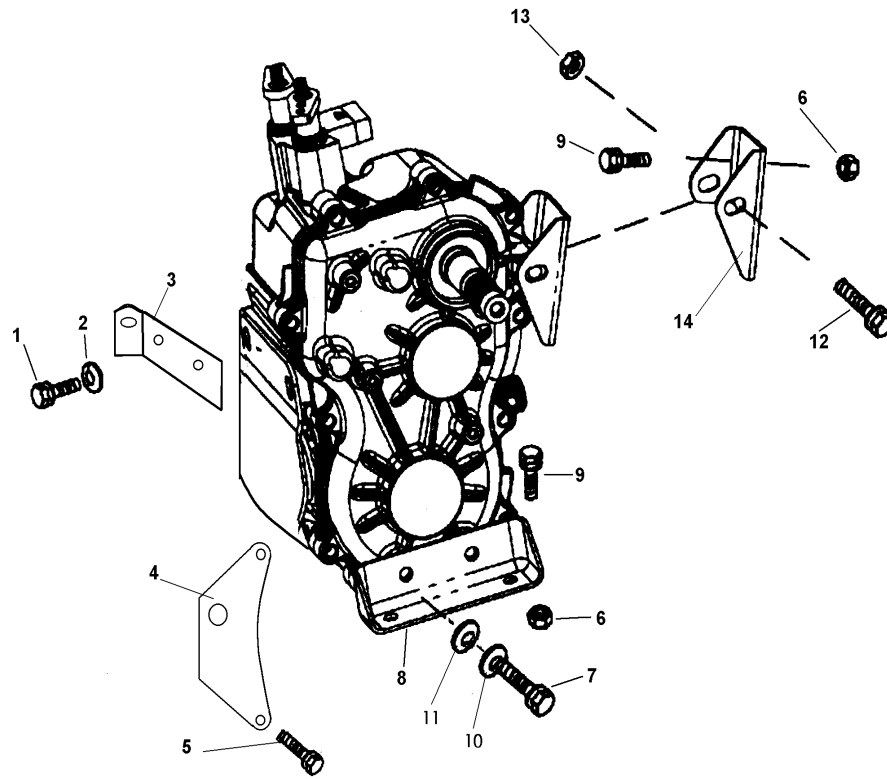


Fig No	PL-nummer	Varenavn	Art name	Oe-ref	Antal/Qty
1	9050249	Bolt M12X20	BOLT M12X20	10076	2
2	9050204	Planskive M12	WASHER 12	10054	2
3	9034130	Monterings beslag	RIGHT	21503	1
4	9034132	Monterings beslag venstre	TRANSMISSION MOUNTING BRACKET LEFT	21504	1
5	9050232	Bolt M8X30	BOLT M8X30	10078	3
6	9050207	Møtrik M8	NUT M8	10079	3
7	9033910	Bolt M10X25	BOLT M10X25	10028	2
8	9033904	Beslag f/transmission nederst	TRANSMISSION MOUNTING BRACKET BOTTOM	21508	1
9	9050231	Bolt M8X20	BOLT M8X20	10081	3
10	9050203	Planskive M10	WASHER 10	10027	2
11	9033907	Skive	WASHER	10019	2
12	9033918	Bolt M10X70X1,25	BOLTM10X1.25X70	10084	1
13	9050208	Møtrik M10	NUT M10	10015	1
14	9033916	Beslag f/transmission bagerst	REAR	21514	1

Fig 15

Gearskifte/shiftrod

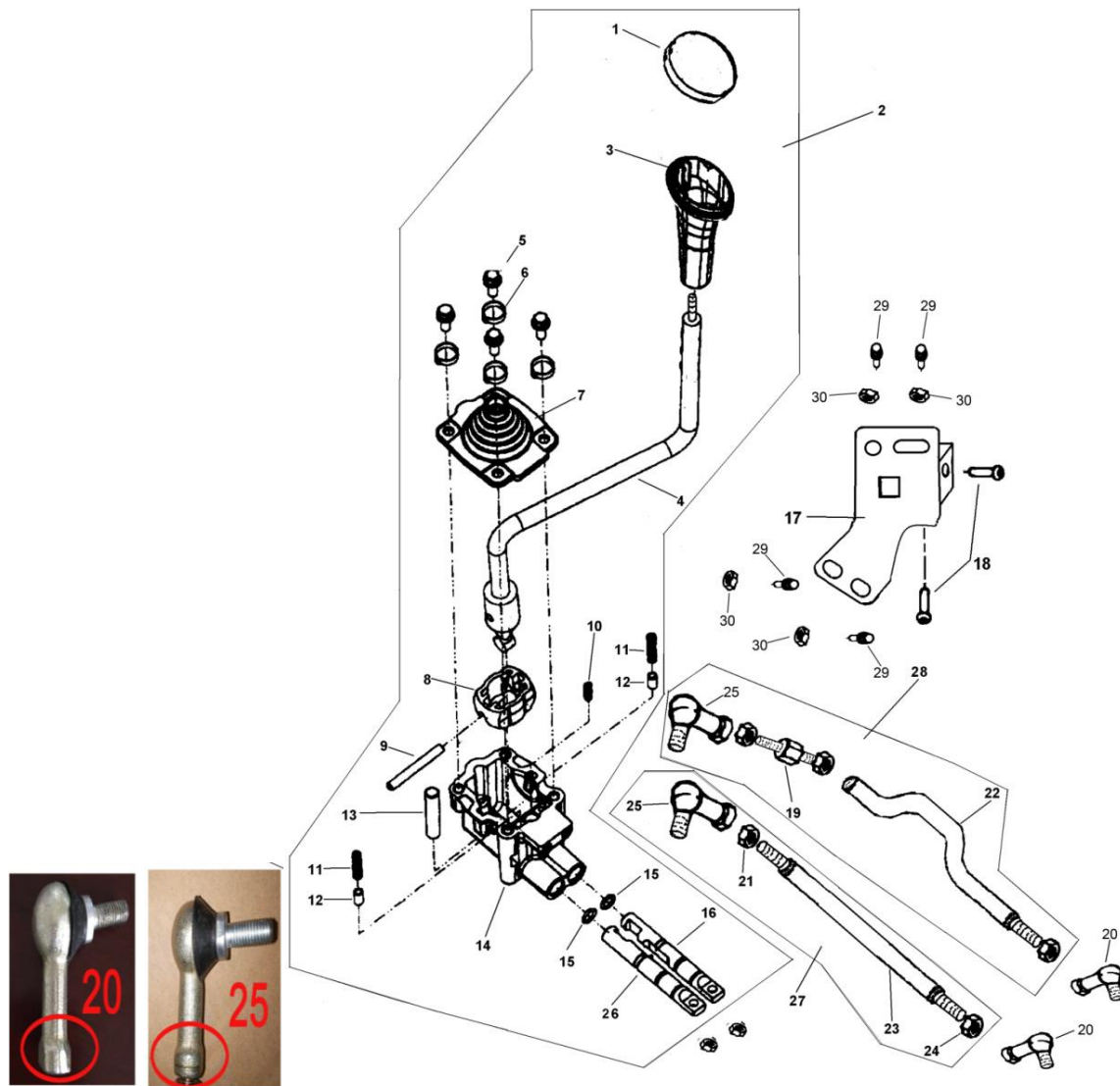


Fig No	PL-nummer	Varenavn	Art name	Oe-ref	Antal/Qty
1	9030028	Gear label	LABLE	21601a	1
2	9029602	Gearskifte komplet	SHIFTER ASSY MOUNTING	21729B	1
3	9029648	Gearstangsknop	KNOB	21603A	1
4	N.A		SHIFT LEVER	21604a	1
5	9034737	Bolt M6X12	BOLT M6X12	10086	4
6	9050201	Planskive M6	WASHER 6	10006	4
7	9029717	Gearskifte manchete	BOOT	21607A	1
8	9030029	Skiftekulisse "plastik"	PLASTIC SPHERE	21608A	1
9	N.A		GROOVE PIN	21609A	1
10	N.A		CENTERING SPRING	21610A	1
11	N.A		DETENT SPRING	21611A	2
12	N.A		DETENT BULLET	21612A	2
13	N.A		DOWEL PIN	21613A	1
14	N.A		SHIFFER HOUSING	21614A	1
15	9049852	O-Ring 9,5X1,8	O-RING	21615	2
16	N.A		SELECTOR SLIDES HIGH/REVERSE	21616A	2
17	N.A		SHIFTER MOUNTING BRACKET	21617a	1
18	9034021	Bolt M6X15	BOLT M6X15	10010	4
19	N.A		SHIFT ROD COUPLER	21619	1
20	9029715	Kugleled	SHIFT ROD END CW	21620	2
21	9050206	Møtrik M6	JAM NUT M6 CW	10090	3
22	N.A		SHIFT ROD HIGH/REVERSE	25254	1
23	N.A		SHIFT ROD LOW	25254	1
24	N.A		JAM NUT M6 CCW	21624	2
25	9030801	Kuglehovede "links"	SHIFT ROD END CCW	21625	2
26	9029645	Skifteaksle lav	SELECTOR SLIDES LOW	21626	1
27	9030783	Skifteforbindelse komplet A	SHIFTER MOUNTING ROD A	25256	1
28	9030784	Skifteforbindelse komplet B	SHIFTER MOUNTING ROD B	25257	1

Fig 16

Støddæmper for/ Shock absorber front

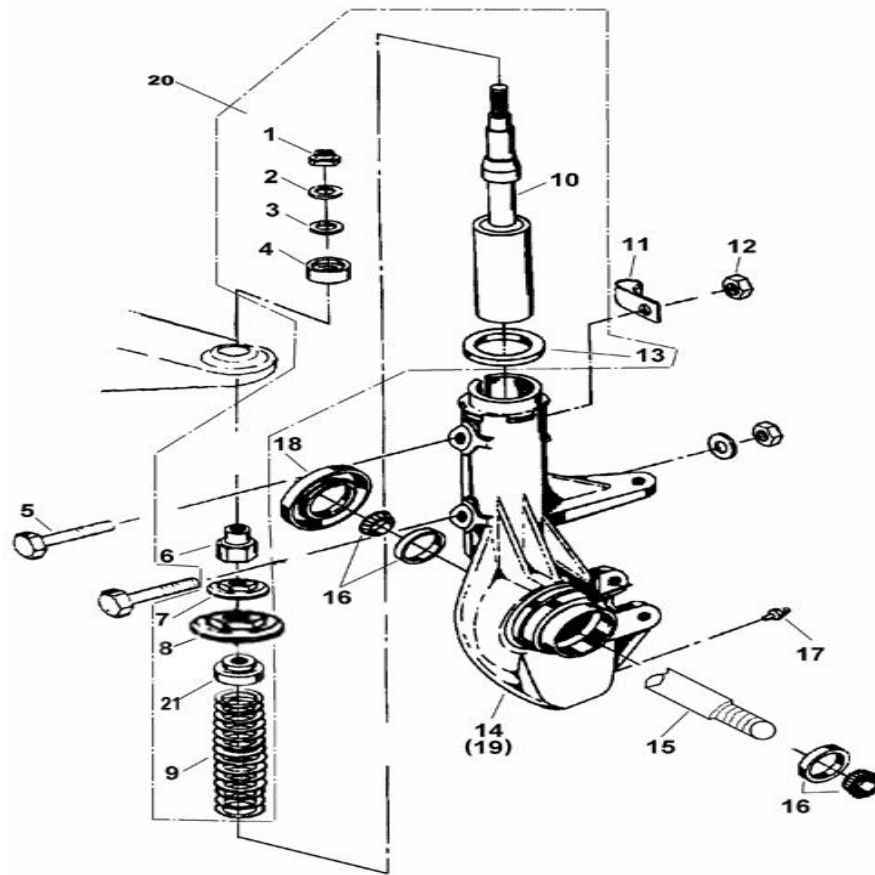


Fig No	PL-nummer	Varenavn	Art name	Oe-ref	Antal/Qty
1	9034762	Møtrik M14X1,5	NUT M14X1.5	10091	2
2	N.A		WASHER 14	21802	2
3	9029718	Afstands gummi	SPACER RUBBER	21803	2
4	9029652	Fjederbensleje øverst	UPPER PIVOT BALL	21804	2
5			BOLT M8X55	10093	4
6	9034852	Møtrik M14X1,5	NUT M14X1.5	21806	2
7	9029653	Fjederbensleje nederst	LOWER PIVOT BALL	21807	2
8	9029654	Fjedereskål	SPRING RETAINER	21808	2
9	9029655	Fjeder	SPRING	21809	2
10	N.A		STRUT BUMPER	25288	2
11	N.A		CLAMP	21811	2
12	9050207	Møtrik M8	NUT M8	10079	4
13	9030095	Fjederskål	SPRING RETAINER	21813	2
14	9029649	Fjederben venstre	STRUT BODY LEFT	21814	1
15	9030096	Akseltap	SPINDLE BOLT(FOR 2WD)	21815	2
16	9030097	Forhjuls leje/rulleleje	BEARING	10095	4
17	9037437	Fedtnippel	GREASE FITTING	27074	2
18	9030098	Pakdåse 60X73X8	SEAL SLEEVE	21818	2
19	9029650	Fjederben højre	STRUT BODY RIGHT	21819	1
20	9029651	Støddæmper	FRONT SHOCK ABSORBER ASSY	21820	2
21	9038949	Anslags skive	CUSHION	25110	2

Fig 17

Styreaksel/Steering column

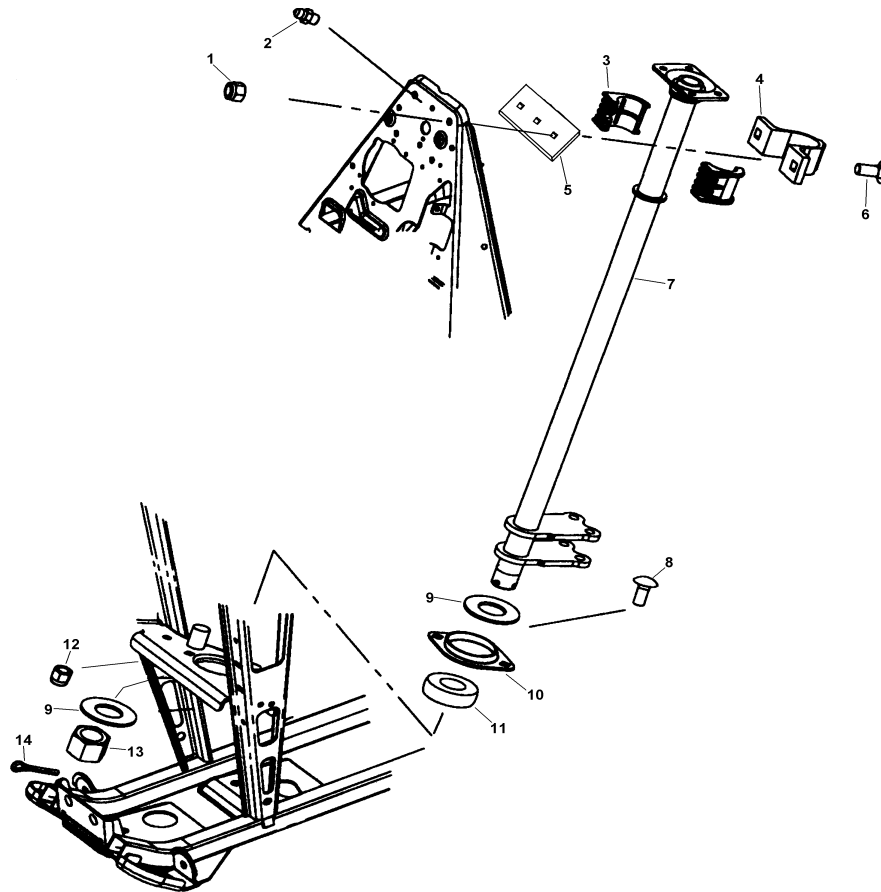


Fig No	PL-nummer	Varenavn	Art name	Oe-ref	Antal/Qty
1	9050207	Møtrik M8	NUT M8	10079	2
2	9037437	Fedtnippel	GREASE FITTING	10026	1
3	9029719	Bøsning	BUSHING	21903	2
4	9036381	U-bøjle	STEERING CLAMP REAR	21904	1
5	9038948	Holde plade	STEERING CLAMP FRONT	21905	1
6	N.A		BOLT	21906	2
7	9040221	Styreaksel 608mm	STEERING COLUMN (608 MM LENGTH)	21907f	1
8	N.A		BOLT	21906	2
9	9057189	Skive	WASHER	21909	2
10	9029656	Lejeholder	BEARING RETAINER	21910	1
11	9029657	Leje	BEARING	21911	1
12	9050207	Møtrik M8	NUT M8	10079	2
13	9029658	Kronemøtrik M24x2	STEERING COLUMN RETAINER NUT	10100	1
14	9037424	Split	COTTER PIN	10101	1

Fig 18

Elsystem/Electrical system

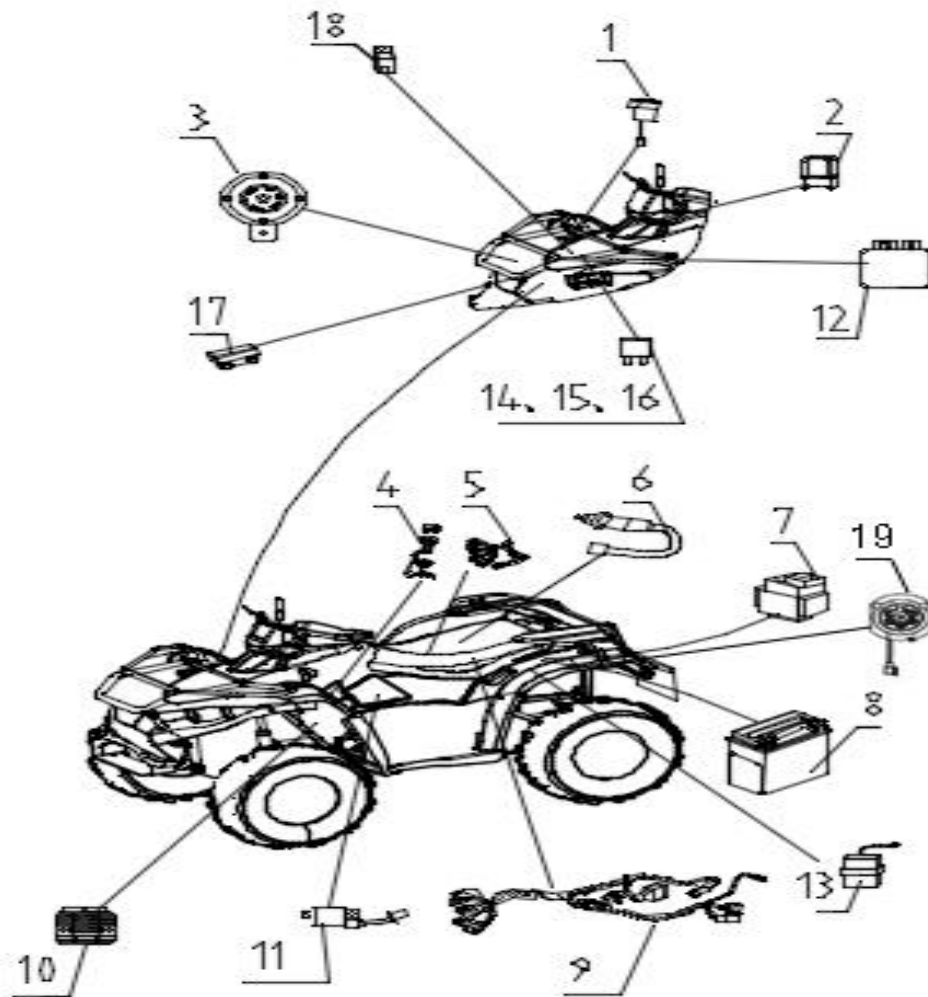


Fig No	PL-nummer	Varenavn	Art name	Oe-ref	Antal/Qty
1	9058077	Blinklysrelæ	FLASHER RELAY ASSY	26456	1
2	9049303	Relæ EFI	EFI RELAY	71474	1
3	9030782	Horn	HORN	32029	1
4	9049363	12V udtag stik	ACCESSORY SOCKET ASSY	71973	1
5	9064252	Ledningsnet indsprøjtningssystem	EFI WIRE	27682	1
6	9049266	Bremselys kontakt	BRAKE SWITCH (USED FOR WATERPROOF	70405a	1
7	9049388	Startrelæ	STARTER RELAY	71602	1
8	9031775	Batteri	BATTERY	25337	1
9	9064253	Ledningsnet, komplet	WIRING HARNESS(FOR EFI EUROPE)	25328	1
10	9049505	Laderelæ	REGULATOR RECTIFIER	71603	1
11	9049476	Tændspole	IGNITION COIL	70822D	1
12	9055603	Styreboks ubegrænset	ECU unlimited	35743	1
12	9061671	Styreboks begrænset til 43 km/t	ECU limited 43 km/t	25329	1
12	9061672	Styreboks begrænset til 40 km/t	ECU limited 40 km/t	25330	1
13	9029661	Bakalarm	REVERSE GEAR WARNING	32038	1
14	9037547	Sikring 15Amp	15 AMP FUSE	22020	3
15	9037547	Sikring 5Amp	5 AMP FUSE	22021	1
16	9037547	Sikring 10Amp	10 AMP FUSE	84273	2
17	9039720	Væltekontakt	ELECTRICAL DUMPAGE SWITCH	70968	1
17	N.A		ELECTRICAL DUMPAGE SWITCH	72278	1
18	9057196	Hjælperelæ	START RELAY (NEW) (CONTROL HIGH BEAM AND DIPPED BEAM)	35656	3
19	9060251	Anhænger stikdåse	TRAILER CONNECTOR	84432	1

Fig 19

Bremsesystem / Brake system (FOR EUROPE)

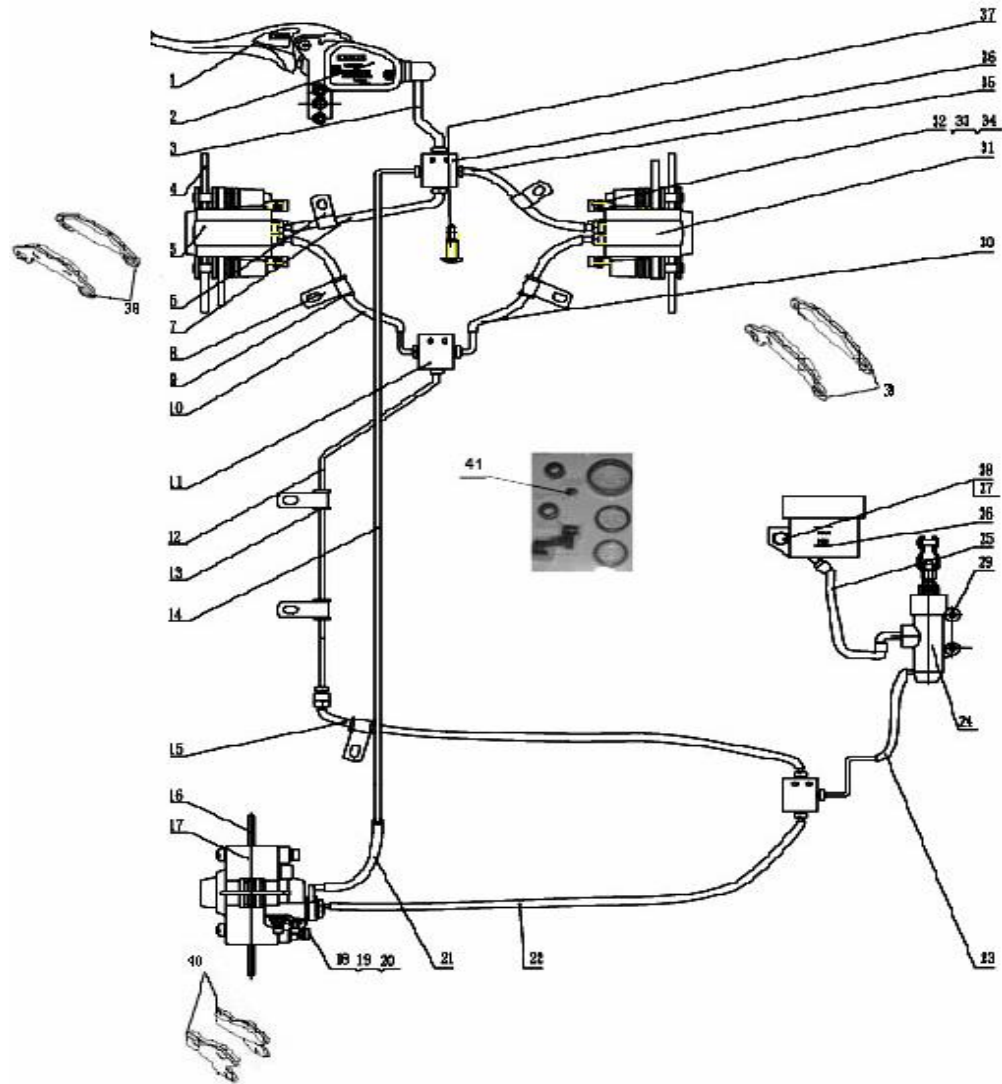
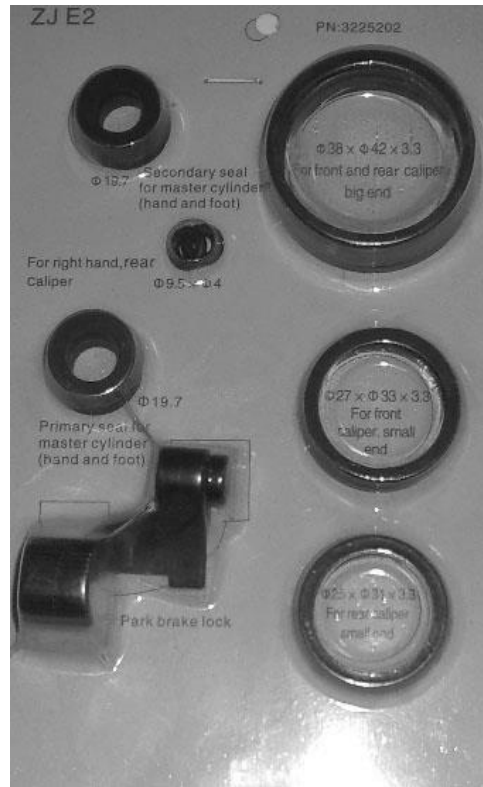


Fig No	PL-nummer	Varenavn	Art name	Oe-ref	Antal/Qty
1	9029827	Bremsehåndtag v løst "kun håndtag"	BRAKE LEVER L	2211120	1
2	9035108	Bremsehovedcylinder	MASTER CYLINDER	22101	1
3	N.A		HAND BRAKE HOSE	27683	1
4	9030084	Bremseskive forrest	FRONT BRAKE DISC	22226	2
5	9030106	Bremsecaliber venstre for	BRAKE CALIPER LEFT	32205A	1
6	N.A		CLAMP	21811	2
7	9029689	Bremseslange venstre for	FRONT BRAKE HOSE 2	22229	1
8	N.A		CLAMP	32104	5
9	9034418	Gummikrave	RUBBER TUBE1	32105	3
10	N.A		FRONT BRAKE HOSE1	25269	1
11	N.A		BRAKE LINE COUPLER	25270	2
12	9029673	Bremserør bag til front	TUB DISKBRAKE FRONT	32108	1
13	9049239	Gummibøsning	RUBBER TUBE2	32109	2
14	9030680	Bremseslange bag	REAR BRAKE HOSE	22103	1
15	9030744	Bremseslange front	FRONT BRAKE HOSE	25121	1
16	9029686	Bremseskive bag	REAR DISC BRAKE	32115	1
17	9030681	Bremsekaliber bag	REAR BRAKE CALIPER	22105	1
18	N.A		BOLT M10X1.25X83	10102	2
19	9031005	Møtrik M10X1,25	NUT M10X1.25	10015	2
20	9050203	Planskive M10	WASHER 10	10019	2
21	9030778	Bremseslange bag 2	REAR BRAKE HOSE 2	25240	1
22	9030779	Bremseslange bag 3	REAR BRAKE HOSE 3	25242	1
23	9030745	Bremseslange fodbremse	FOOT BRAKE HOSE	25122	1
24	9029684	Hovedcylinder fodbremse	REAR BRAKE CYLINDER	25265	1
25	N.A		RESERVOIR HOSE	25262	1
26	9030105	Bremsevæskebeholder m/følter	RESERVOIR	25299	1
27	N.A		NUT M5	10109	1
28	N.A		BOLT M5X12	10108	1
29	9034625	Bolt M6X20	BOLT M6X20	10110	2
30	9029682	Bremseslange for H+V	FRONT BRAKE HOSE2	25225	1
31	9030104	Bremsekaliber højre for	BRAKE CALIPER RIGHT	32231A	1
32	N.A		BOLT M8X25	10105	4

33	9050202	Planskive M8	WASHER 8	10106	4
34	9050202	Planskive M8	WASHER 8	10068	4
35	9029681	Bremseslange højre for	FRONT BRAKEHOSE 1	22228	1
36	9029680	bremse t-stykke M10X1,0	BRAKE LINECOUPLER	22230	1
37	N.A		SCREW M5X15	10111	6
38	9029926	Bremseklodser sæt for	CALIPER)	22245	2
40	9029917	Bremseklodser sæt bag	CALIPER)	22111	1
41	9030748	Reperations sæt kaliber	ZJ E2 Service Kit (FOR EUROPE)	32252	1

Fig 20

Rep sæt/ Service kit brakes



Note: Service Kit

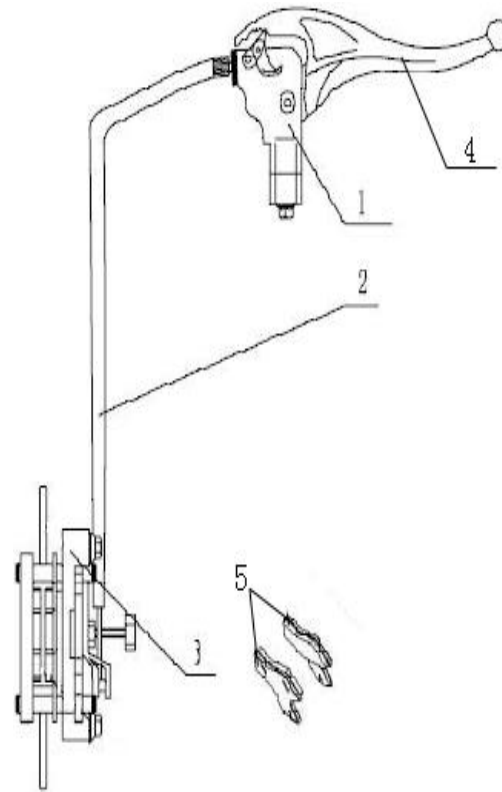
- ▲Always order and use the correct type..
- ▲Wrong kit will cause brake malfunction.
- ▲This service must be performed by an authorized dealer.

Service Kit contains Seals, O Rings of the caliper and cylinder, and the Park Brake Lock Button for hydraulic park brake.

Fig No	PL-nummer	Varenavn	Art name	Oe-ref	Antal/Qty
1	9039453	Reperations sæt bremsekaliber	ZJ E2 Service Kit (FOR EUROPE)	32252	1
1			ZJ USA Service Kit (FOR USA)	25135	1

Fig 21

Håndbremsesystem/Parking system (FOR EUROPE)



NOTE :

THERE ARE TWO FACTORY CODE ON THE REVERSE SIDE OF THE HANDLE LEVER, WHEN YOU ORDER ANY PART OF THE BREAK SYSTEM, PLEASE MARK THE FACTORY CODE?ZJ OR SD?

Fig No	PL-nummer	Varenavn	Art name	Oe-ref	Antal/Qty
1	9050391	Bremsehåndtag	MASTER CYLINDER	27625	1
2	9030750	Bremsekabel	BRAKE CABLE	25138	1
3	9030751	Bremsekaliber	BRAKE CALIPER	25139	1
4	9030752	Bremsegreb løst	BRAKE LEVER R	25140	1
5	9030753	Bremseklodse sæt	INSIDE AND OUTSIDE PAD	25141	1

Fig 22

Bremsepedal/ Pedal brake

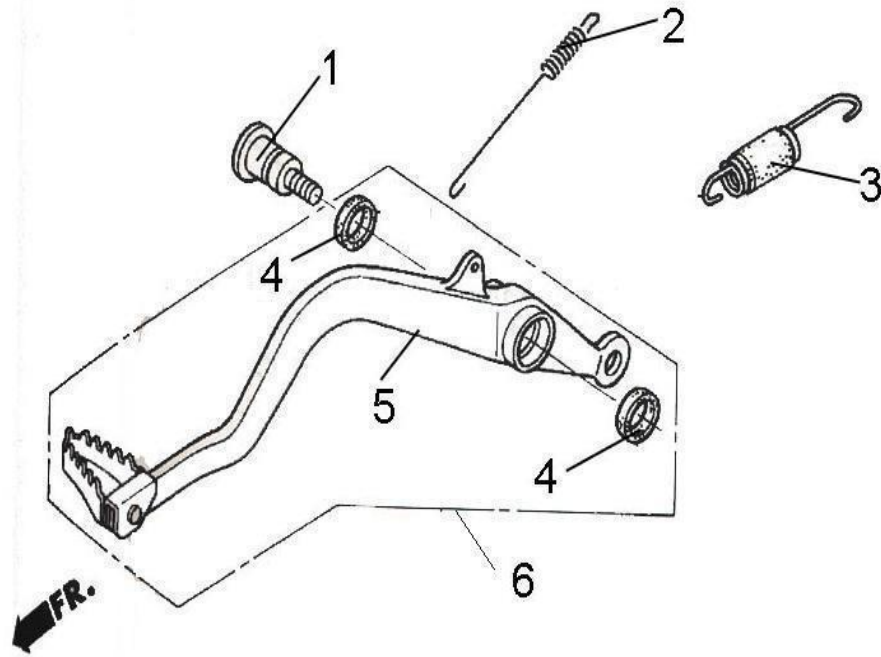


Fig No	PL-nummer	Varenavn	Art name	Oe-ref	Antal/Qty
1	9039640	Bolt spec/for bremsearm	SHAFT,BRAKE PIVOT	70542	1
2	9029723	Fjeder f/bremselyskontakt	SPRING,STOP SWITCH	32246	1
3	9029986	Fjeder f/prebsepedal	SPRING ASSY	25539	1
4	9039638	Pakdåse f/pedalaksel 15X20	DUST SEAL	70540	2
5	N.A		PEDAL BRAKE	25146	1
6	9030756	Bremsepedal sæt	PEDAL BRAKE ASSY	25147	1

Fig 23

Kofanger&bagagebære/Bumper & Rack

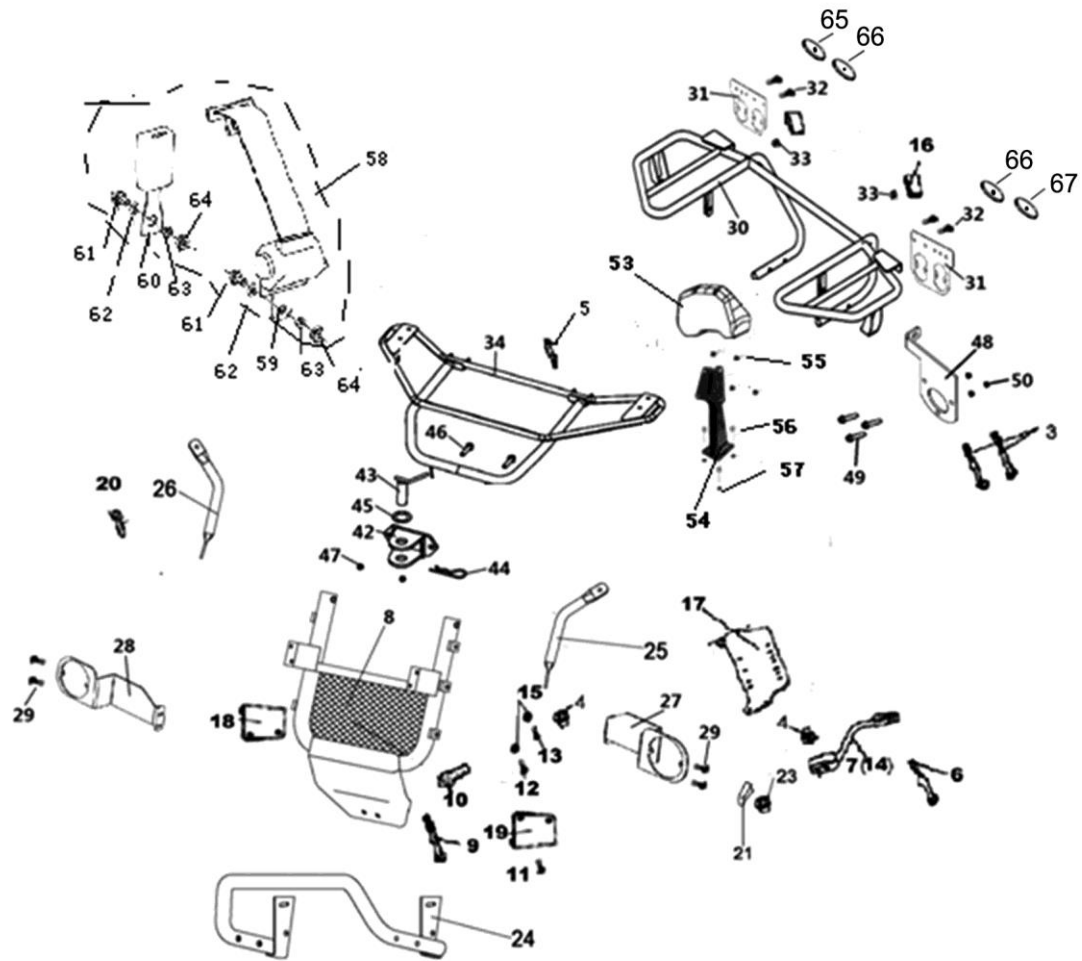


Fig No	PL-nummer	Varenavn	Art name	Oe-ref	Antal/Qty
3	9033869	Bolt M8X45	BOLTM8X45	10055	4
4	9050207	Møtrik M8	NUT M8	10079	4
5	9033887	Bolt M8X25	BOLT M8X25	10059	2
6	N.A		BOLT M8X85	25150	2
7	N.A		TRESTLE 1 LEFT (FOR EUROPE)	27440	1
8	9050392	Front gitter	BUMPER BRACKET	27626	1
9	9050236	Bolt M8X70	BOLT M8X70	25056	4
10	9033887	Bolt M8X25	BOLT M8X25	10059	2
11	N.A		BOLT M8X55	29506	4
12	9050231	Bolt M8X20	BOLT M8X20	10081	2
13	9033887	Bolt M8X25	BOLT M8X25	10059	2
14	N.A		TRESTLE 1 RIGHT (FOR EUROPE)	27442	1
15	9050202	Planskive M8	WASHER 8	26009	4
16	N.A		FRONT REFLECTER	35705	2
17	9057213	Beslag bagagebære	BRACKET,PULLING	70366	1
18	9057214	Holder f/beslag højre	HOLDER,R.PULLIN BRACKET	27387	1
19	9057215	Holder f/beslag venstre	HOLDER,L.PULLIN BRACKET	27386	1
20	9034420	Bolt M6X12	BOLT M6X12	10140	4
24	N.A		FRONT BUMPER	25331	1
25	N.A		FRONT SUPPORT TUBE,L	27444	1
26	N.A		FRONT SUPPORT TUBE,R	27445	1
27	9050393	Blinklygte beslag for venstre	FRONT INDICATOR LIGHT BRACKET,L	27627	1
28	9050394	Blinklygte beslag for højre	FRONT INDICATOR LIGHT BRACKET,R	27628	1
29	9034190	Bolt M6X16	BOLT M6X16	10183B	4
30	9039429	Bagagebærer bag 2018>	REAR RACK	25300	1
31	9050396	Baglygte beslag H+V	BRACKET,TAILLIGHT	27631	2
32	9034190	Bolt M6X16	BOLT M6X16	10183B	4
33	9050206	Møtrik M6	NUT M6	10004	4
34	9050387	Bagagebærer front T3	FRONT RACK	27632	1
42	N.A		FOTMER DRAG HOOKS	84234	1
43	N.A		EX REACTION PINS	84235	1
44	N.A		R TYPE SPLIT PINS 6X115	10862	1

45	9058067	Gummidæmper	CUSHION RUBBER, FOTMER DRAG HOOKS	84231	1
46	N.A		SCREW M16X42	10934	2
47	9050210	Møtrik M6	NUT M16	10874	2
48	N.A		BRACKET,OUTPUT SOCKET	71070	1
49	N.A		SCREW M6X38	10935	3
50	9050206	Møtrik M6	NUT M6	10004	3
53	9058055	Rygstøtte pude	BACKREST	35721	1
54	9057217	Rygstøtte beslag bag	REAR BACKREST WELD ASSEMBLY	35384	1
55	9050207	Møtrik M8	NUT M8	10919	4
56	9033887	Bolt M8X25	BOLT M8X25	10059	4
57	9050207	Møtrik M8	NUT M8	10079	4
58	9058057	Sikkerhedssele sæt	Belt components	84380	1
59	N.A		Belt	84382	1
60	N.A		Lock,Belt	84381	1
61	9034609	Bolt	Bolt	26916	4
62	9034610	Fjederskive	Spring Washer	26917	8
63	9034611	Skive	Washer	26918	8
64	9034612	Møtrik	Nut	26919	8
65	9049707	Blinklygte bag H	RIGHT REAR INDICATION LIGHT	73319	1
66	9049708	Baglygte rød	TAILLIGHT	73320	2
67	9049709	Blinklygte bag V	LEFT REAR INDICATION LIGHT	73324	1

Fig 24

Tilbehør/Options

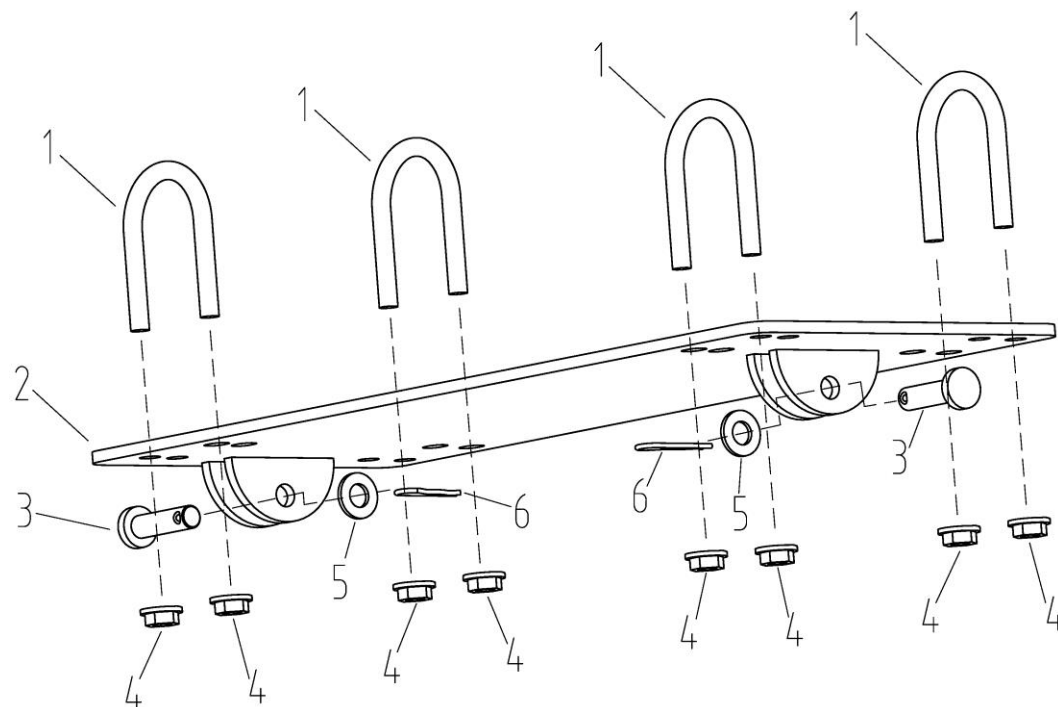


Fig No	PL-nummer	Varenavn	Art name	Oe-ref	Antal/Qty
1	N.A		U-BOLT	25652	4
2	N.A		SNOW SHOVEL MOUNTING PLATE (FOR FINLAND)	25650	1
3	N.A		HINGE PIN	25651	2
4	9050207	Møtrik M8	NUT M8	10079	8
5	N.A		GASKET 10	11197	2
6			R COTTER PIN	11400	2

PARTS MANUAL

Motor/engine

LH300ATV-D EFI T3a & T3b



Indholdsfortegnelse

Fig 25

Cylinder/cylinder

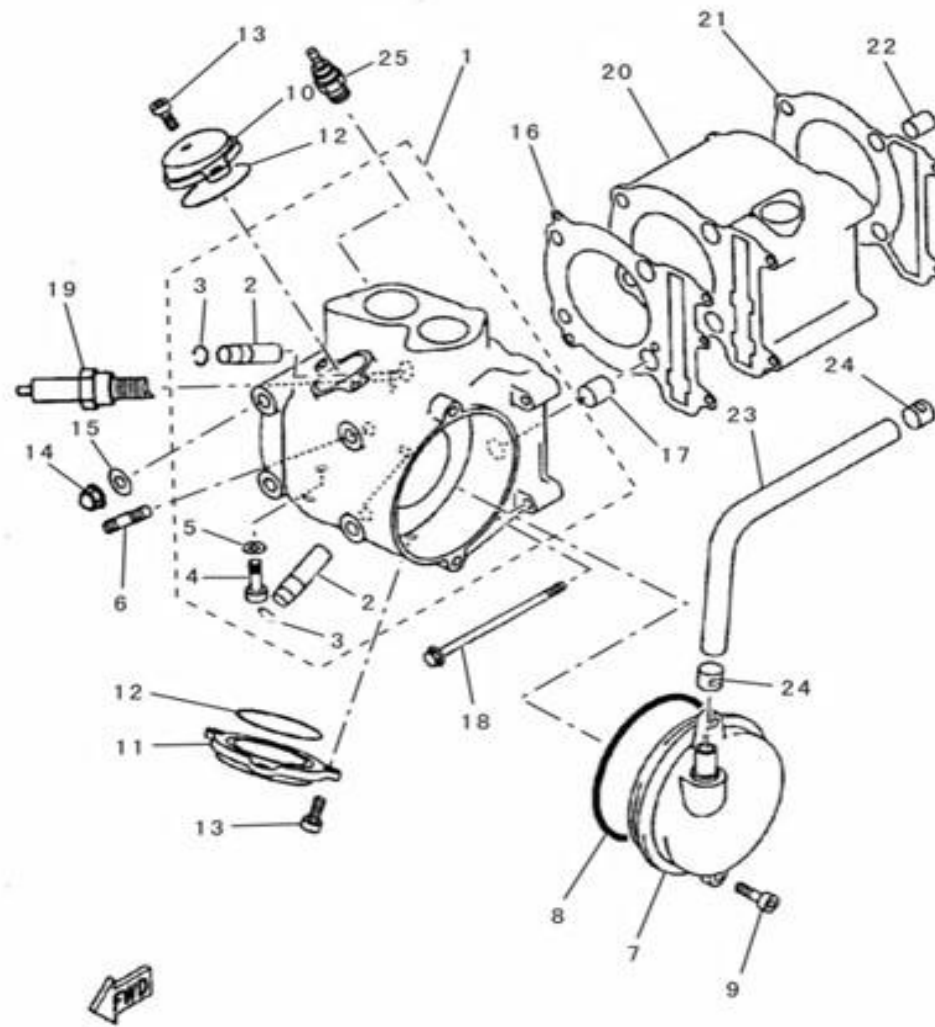


Fig No	PL-nummer	Varenavn	Art name	Oe-ref	Antal/Qty
1	9061407	Topstykke	CYLINDER HEAD ASSY	25332	1
2	9034729	Ventilstyr	GUIDE INTAKE VALVE	22402	2
3	9034736	Låsering 12	CIRCLIP 12	10112	2
4	9034737	Bolt M6X12	BOLT M6X12	10086	1
5	9029736	Pakning M6	GASKET 6	22810	1
6	9034739	Støttebolt M8X25	BOLT STUD M8X25	10014	2
7	N.A		BREATHER ASSY	25604	1
8	9034741	O-Ring 95X3,3	O-RING 95X3.3	22408	1
9	9034722	Bolt M6X20	BOLT SOCKET HEAD M6X20	10008	2
10	9030685	Ventildæksel ind sugning	VALVE COVER INTAKE SIDE	22410	1
11	9030686	Ventildæksel udstødning	VALVE COVER EXHAUST SIDE	22411	1
12	9029733	Ventildæksel pakning - O-ring 57,5X2,3	O-RING 57.5X2.3	22412	2
13	9034722	Bolt M6X20	BOLT SOCKET HEAD M6X20	10008	5
14	9034723	Møtrik M8 lukket	NUT CROWN M8	22414	4
15	9034724	Tætningsskive	WASHER PLATE 8	22415	4
16	9029734	Toppakning 300cc	GASKET CYLINDER HEAD2 (FOR ATV300)	22416a	1
17	9034726	Styretap 14X16	PIN DOWEL 14X16	22417	2
18	9034727	Bolt "flange" M6X120	BOLT FLANGE M6X120	22418	2
19	9030273	Tændrør	PLUG SPARK(NGK DR8EA)	22419	1
20	9029608	Cylinder 300cc	CYLINDER (FOR ATV300)	22420a	1
21	9029735	Cylinderpakning	GASKET CYLINDER	22421	1
22	9034732	Styretap 10X14	PIN DOWEL 10X14	22422	2
23	9034733	Åndeslange	PIPE BREATHER1	22423	1
24	9021812	Spændebånd	CLIP 12MM	43514	2
25	9057492	Temperaturføler vand	THERMO UNIT	35095e	1

Fig 26

Krumtap/Crankshaft Comp

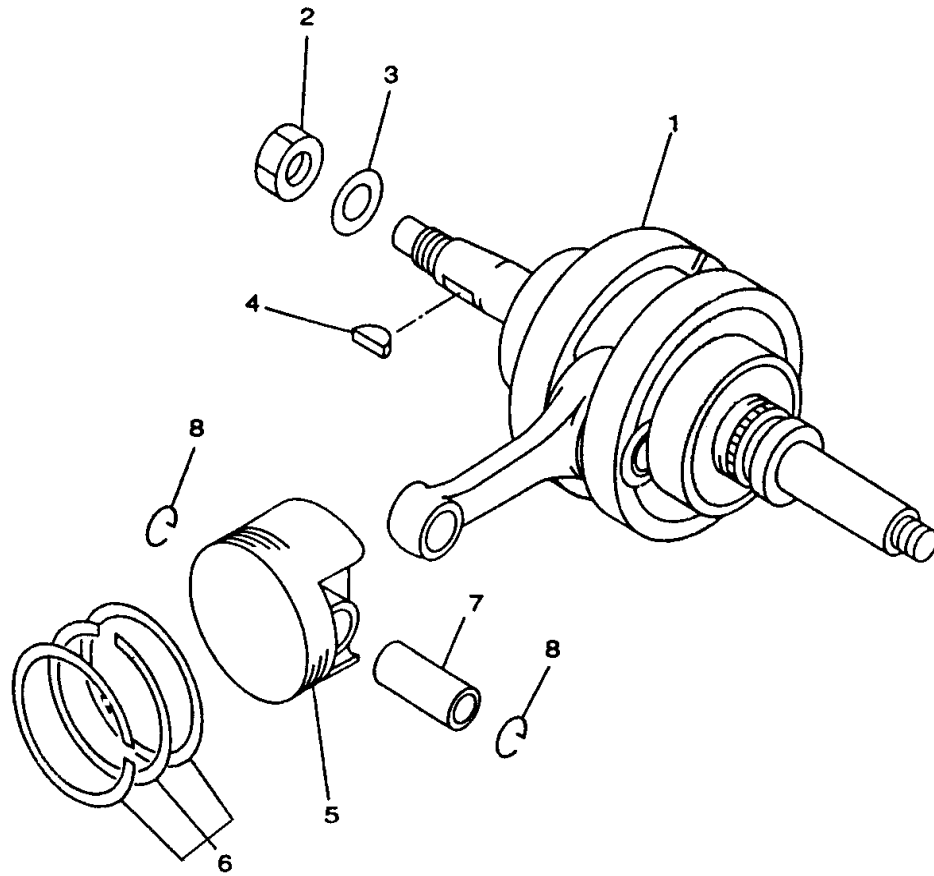


Fig No	PL-nummer	Varenavn	Art name	Oe-ref	Antal/Qty
1	9034746	Krumtap komplet	CRANKSHAFT ASSY	22501	1
2	9040275	Møtrik f/krumtap	NUT M16X1	22502	1
3	9034750	Skive	WASHER PLATE 16	22503	1
4	9029742	Kile halvmåne	KEY WOODRUFF	22504	1
5	9030093	Stempel 260cc	PISTON	22505	1
	9030108	Stempel 300cc	PISTON (FOR ATV300)	22505A	1
6	9030077	Stempelring sæt 260cc	PISTON RING SET	22506	1
	9029705	Stempelring sæt 300cc	PISTON RING SET (FOR ATV300)	22506a	1
7	9029706	Krydspind	PISTON PIN	22507	1
8	9029838	Låsering	CLIP	22508	2

Fig 27

Ventiler/Valve

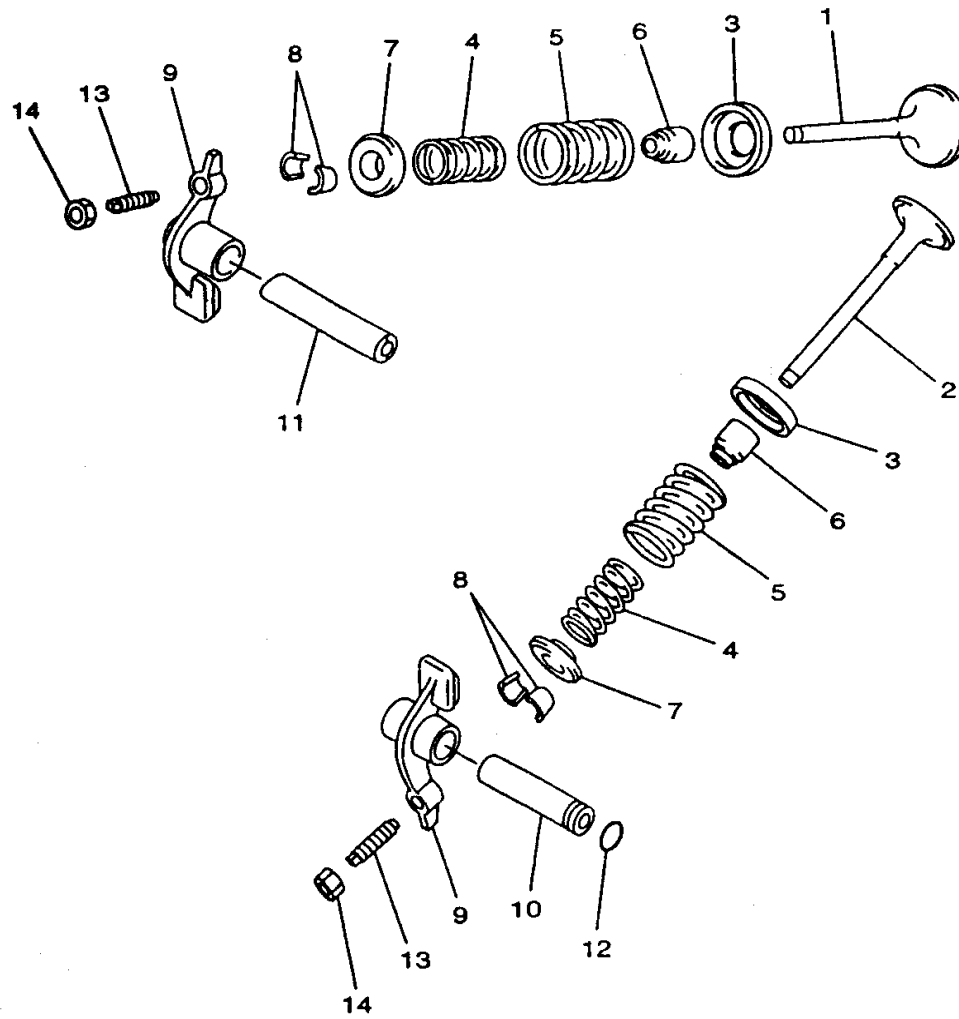


Fig No	PL-nummer	Varenavn	Art name	Oe-ref	Antal/Qty
1	9029707	Indsugningsventil	INTAKE VALVE	22601	1
2	9029708	Udstødningsventil	EXHAUST VALVE	22602	1
3	9034774	Ventilsæde	SEAT SPRING VALVE	22603	2
4	9029709	Ventilfjeder indvendig	SPRING VALVE INNER	22604	2
5	9029710	Ventilfjeder udvendig	SPRING VALVE OUTER	22605	2
6	9029840	Ventilstyrspakdåse	SEAL VALVE STEM	22606	2
7	9029711	Ventillås skive	RETAINER SPRING VALVE	22607	2
8	9029841	Ventillås 1stk der skal bruges 2 stk!	COTTER VALVE	22608	4
9	9030041	Vippearm	ROCKER ARM VALVE	22609	2
10	9034766	Vippearmsaksel udstødning	EXHAUST ROCKER SHAFT	22610	1
11	9034767	Vippearmsaksel indsugning	INTAKE ROCKER SHAFT	22611	1
12	9029839	O-ring 9X2	O-RING 9X2	22612	1
13	9029743	Ventil justerskrue	ADJUSTING SCREW VALVE	22613	2
14	9029744	Møtrik M6X0,75	NUT M6X0.75	22614	2

Fig 28

Kanstaksel&kæde/Camshaft&chain

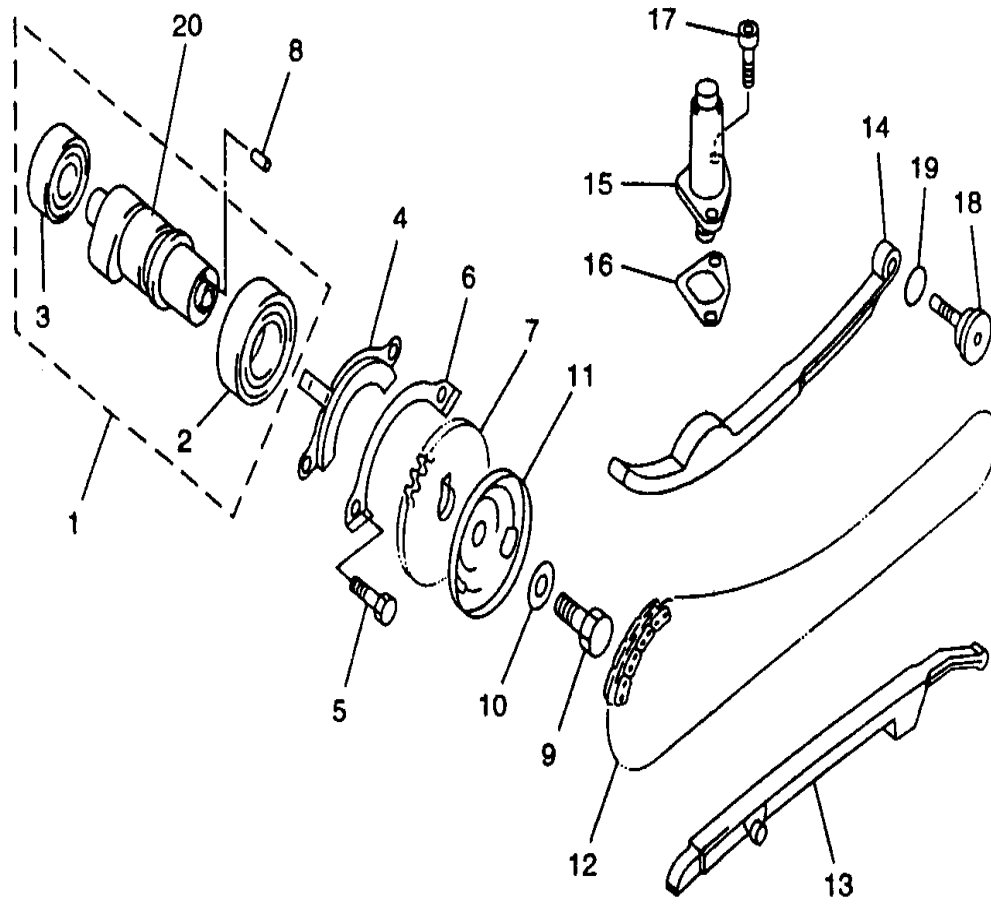


Fig No	PL-nummer	Varenavn	Art name	Oe-ref	Antal/Qty
1	N.A		CAMSHAFT ASSY1	22701	1
2	N.A		BEARING	10012	1
3	N.A		BEARING(B6202Z)	10013	1
4	N.A		PLATE	22704	1
5	N.A		BOLT M6X12	10128	2
6	N.A		LOCK WASHER	22706	1
7	9029582	Knastaksel tandhjul	CAM CHAIN SPROCKET	22707	1
8	N.A		DOWEL PIN B4X10	10124	1
9	N.A		BOLT M10X1.25X25	10025	1
10	N.A		WASHER PLATE 10	22710	1
11	N.A		BREATHER PLATE2	22711	1
12	9029578	Knastkæde	CHAIN	22712	1
13	9029579	Kædestyr fast	GUIDE STOPPER1	22713	1
14	9059580	Kædestyr bevægelig	GUIDE STOPPER2	22714	1
15	9029973	Kædestrammer	CAM CHAIN TENSIONER ASSY	22715	1
16	9029747	Pakning kædestrammer	GASKET TENSIONER CASE	22716	1
17	N.A		SOCKET HEAD BOLT M6X14	10036	2
18	9029748	Akselbolt	CHAIN TENSIONER PIVOT BOLT	22718	1
19	9029749	O-ring 14,5X1,8	O-RING 14.5X1.8	22719	1
20	9029581	Knastaksel	CAMSHAFT	22720	1

Fig 29

Vandpumpe/Waterpump

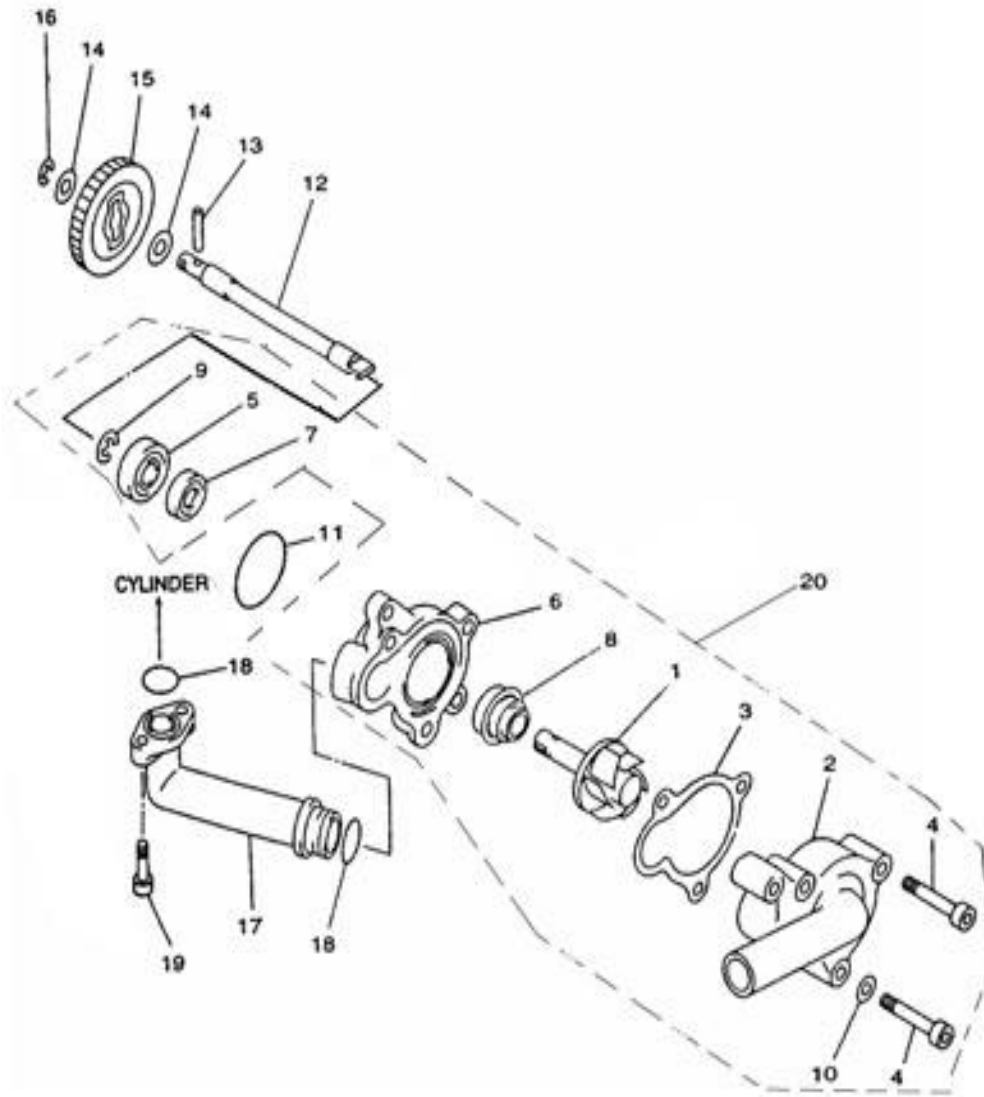


Fig No	PL-nummer	Varenavn	Art name	Oe-ref	Antal/Qty
1	9034806	Rotor f/vandpumpe	IMPELLER SHAFT ASSY (ADC12)	22801a	1
2	9034817	Vandpumpehus	HOUSING COVER	22802	1
3	9030688	Pakning	GASKET HOUSING COVER2	22803	1
4	N.A		SOCKET HEAD BOLT M6X35	10041	3
5	9034821	Kugleleje	BEARING	10043	1
6	N.A		WATER PUMP HOUSING	22806	1
7	9030689	Pakdåse 10X21X5	OIL SEAL 10X21X5	22807	1
8	9030690	Keramisk pakning	MECHANICAL SEAL	22808	1
9	N.A		CIRCLIP 9	10044	1
10	9029736	Pakning M6	GASKET 6	22810	1
11	9034808	O-Ring 33,5X2,65	O-RING 33.5X2.65	10049	1
12	9029974	Aksel	SHAFT	22812	1
13	N.A		DOWEL PIN C3X22	10070	1
14	N.A		WASHER PLATE 8	22814	2
15	9029975	Tandhjul vandpumpe	IMPELLER SHAFT GEAR	22815	1
16	N.A		CIRCLIP 8	10072	1
17	9029976	Vandrør	JOINT (ADC12)	22817a	1
18	9029752	O-Ring 15,5X2,5	O-RING 15.5X2.5	10082	2
19	N.A		SOCKET HEAD BOLT M6X15	10083	2
20	9029977	Vandpumpe komplet	WATER PUMP ASSY	22820	1

Fig 30

Kølersystem/radiator

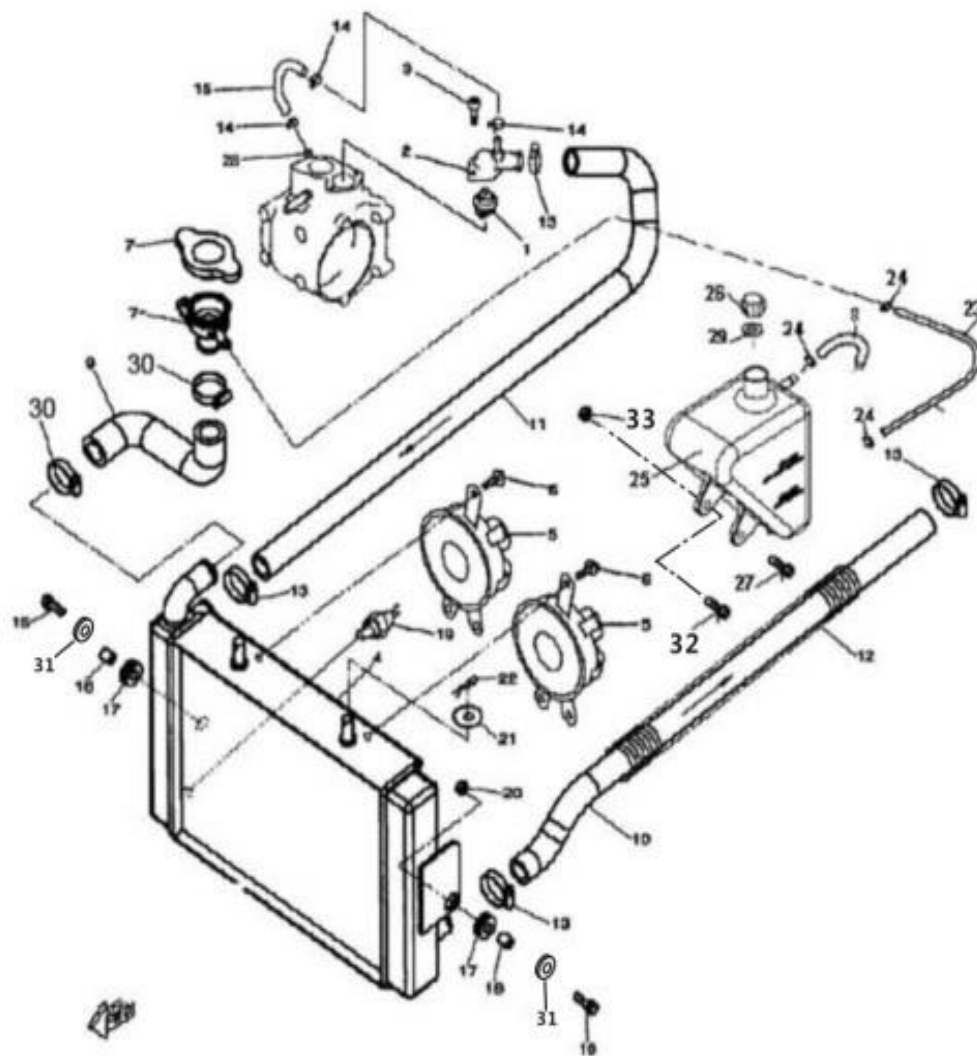


Fig No	PL-nummer	Varenavn	Art name	Oe-ref	Antal/Qty
1	9030110	Termostat	THERMOSTAT	22901	1
2	9029978	Termostathus	THERMOSTAT COVER	22902	1
3	9040315	Bolt M6X25	SOCKET HEAD BOLT M6X25	10085	2
4	9029979	Køler bred model	RADIATOR ASSY (THICKER)	22904t	1
5	N.A		BLOWER ASSY (USED FOR WATERPROOF P	27451	2
6	N.A		FLANGE BOLT M6X9	10087	6
7	9030044	Køledæksel	SAFETY VALVE	22907a	1
8	N.A		PIPE 2	70341	1
9	9029845	Køleslange /påfyldning	RADIATOR FILLER HOSE	22909f	1
10	9030767	Køleslange /retur	RETURN HOSE	25193	1
11	9029843	Køleslange/frem	FEED HOSE	22911	1
12	9029754	Beskyttelsfjeder	COMPRESSION SPRING	22912a	2
13	9021800	Spændebånd 14-27	CLAMP 16/27	70140	4
14	9021813	Spændebånd 8-22	HOSE CLAMP2	22914	2
15	9029844	Slange	HOSE1	22915	1
16	9034139	Bolt M6X30	BOLT M6X30	10182	2
17	9029755	Gummiholder	RADIATOR SIDE SUPT GROMMET	22917	2
18	N.A		COLLAR	22918	2
19	9049423	Termoføler f/blæser "vandtæt stik"	THERMOSTAT SWITCH ASSYUSED FOR WAT	71932	1
20	9050206	Møtrik M6	NUT M6	10004	2
21	9050203	Planskive M10	WASHER PLATE 10	10019	2
22	9020536	Split M2X20	CLIP 2X20	10094	2
23	9030768	Slange	PIPE 1	70342	1
24	N.A		CLIP	22923	2
25	9047193	Ekspansionsbeholder m/gevindlæg	TANK RECOVERY	70340	1
26	9047195	Dæksel/låg til ekspansionsbeh m/gev	CAP	70338	1
27	N.A		BOLT FLANGE M6X16	10183	1
28	9060548	Vandstuds "topstykke"	JOIN	23001	1
29	N.A		WASHER	70339	1
30	9021802	Spændebånd	CLAMP 20/32	70344	2
31	N.A		WASHER PLATE6	10006	2
32	9050223	Bolt M6X40	BOLT M6X40	10177	1

33	9050206	Møtrik M6	NUT M6	10103	1

Fortsættes

Fig 31

Oliepumpe/oilpump

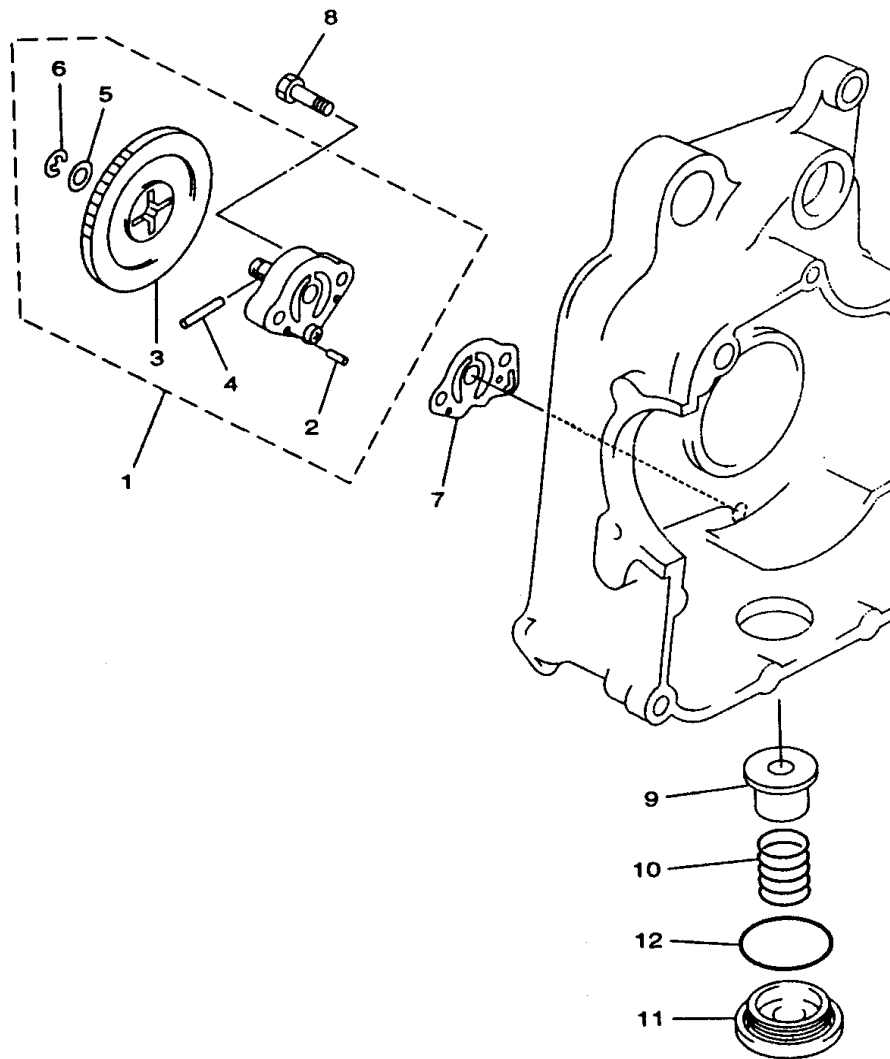


Fig No	PL-nummer	Varenavn	Art name	Oe-ref	Antal/Qty
1	9029583	Oliepumpe komplet	OIL PUMP ASSY	23101	1
2	9034831	Styretap	DOWEL PIN 3X12	10096	2
3	9034832	Tandhjul oliepumpe	GEAR PUMP DRIVEN	23103	1
4	N.A		DOWEL PIN C3X22		1
5	9034811	Skive	WASHER PLATE	22814	1
6	9034835	Låsering	CIRCLIP	10130	1
7	9030691	Pakning	GASKET	23107	1
8	N.A		SCREW M6X25	10946	2
9	9029769	Oliesi	OIL STRAINER	23109	1
10	9029980	Trykfjeder	COMPRESSION SPRING	23110	1
11	9029981	Olieprop	DRAIN PLUG	23111	1
12	9029760	O-ring 36X3,5	O-RING 36X3.5	23112	1

Fig 32

Luftfilter/Aircleaner

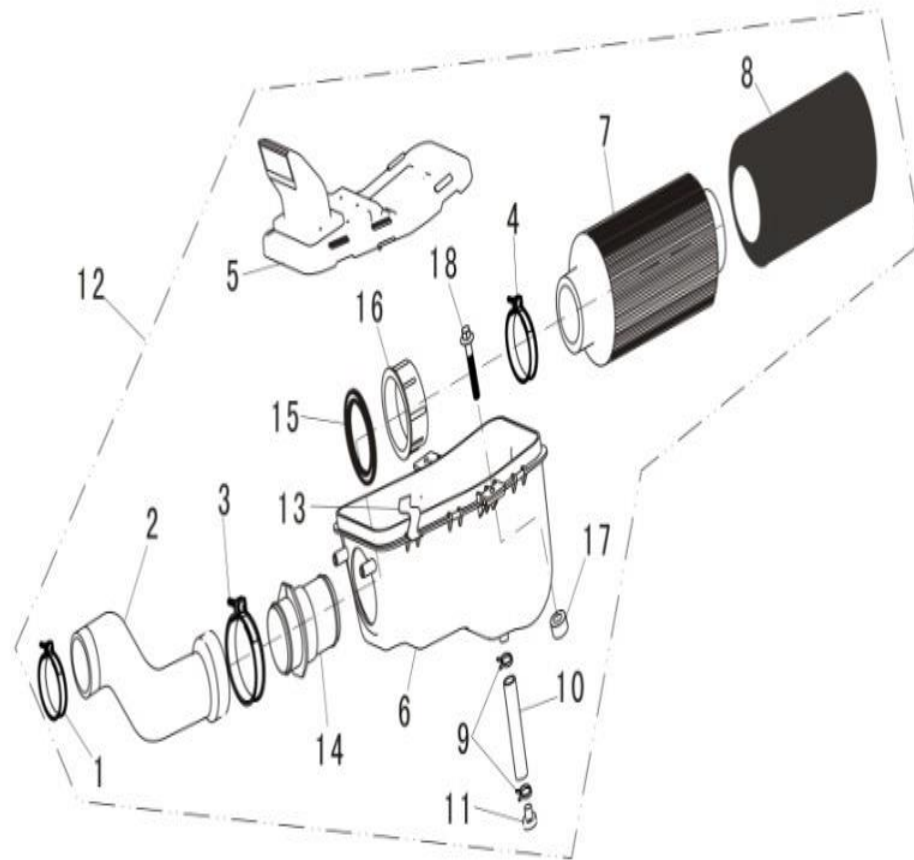


Fig No	PL-nummer	Varenavn	Art name	Oe-ref	Antal/Qty
1	N.A		HOSE CLAMP C	27695	1
2	N.A		AIR CLEANER JOINT	27696	1
3	N.A		HOSE CLAMP B	23208	1
4	9034669	Spændebånd f/luftfilter	HOSE CLAMP A	23209	1
5	N.A		COVER AIR CLEANER	25333	1
6	9030112	Luftfilterhus	AIR CLEANER CASE1	23211	1
7	9029847	Luftfilter element	ELEMENT COMP AIR CLEANER	23212	1
8	9029905	Skumovertræk/grovfilter	FILTER COVER	23213	1
9	9034666	Spændebånd	CLIP	23214	2
10	N.A		HOSE	27812	1
11	9034667	Prop	PLUG	23216	1
12	N.A		AIR CLEANER ASSY	25334	1
13	9030692	Clips f/luftfilterdæksel	AIR CLEANER COVER CLIP	23218A	6
14	N.A		JOINT, AIR CLEANER	25587	1
15	N.A		WASHER, AIR CLEANER	25588	1
16	N.A		JOINT FIXED, AIR CLEANER	25589	1
17	N.A		RUBBER WASHER	25600	2
18	9034139	Bolt M6X30	BOLT M6X30	10182	2

Fig 33

Indsugning& Gasspjæld/Fuel injection assy

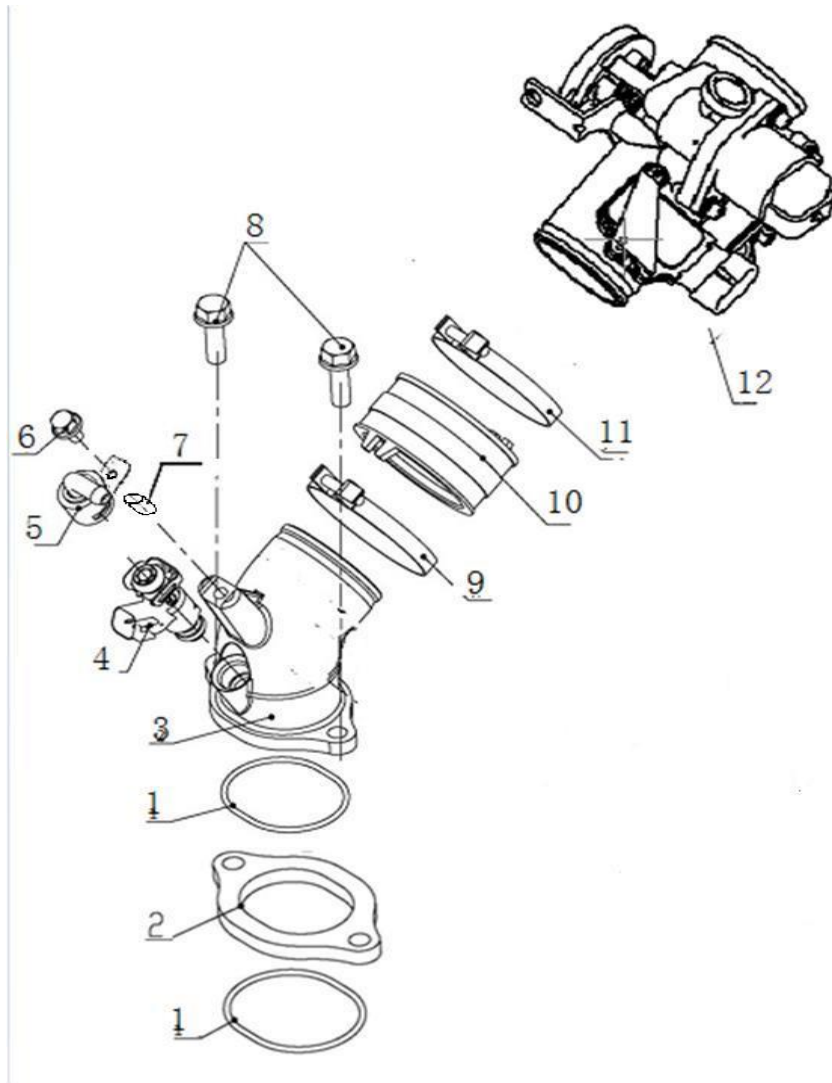


Fig No	PL-nummer	Varenavn	Art name	Oe-ref	Antal/Qty
1	9029848	O-ring	O-RING 35X2	23202	2
2	9040295	Varmeskive/flange	JOINT	27225	1
3	9061410	Indsugnings studs	FEED HOSE	27697	1
4	9062073	indsprøjtning dyse	INJECTOR	27698	1
5	9062074	Tilslutnings studs T/dyse	INJECTOR CAP	27699	1
6	N.A		SCREW M6X25	11189	1
7	N.A		INJECTOR CAP BRACKET	46106	1
8	N.A		BOLT M6X22	10278	2
9	N.A		CLIP 49	27901	1
10	9061411	Forbindelses slange studs/spjældhus	JOINT,FEED HOSE	27902	1
11	N.A		CLIP 53	27903	1
12	9064384	Gasspjældshus komplet	THROTTLE BODY ASSEMBLY	27857	1

Fig 34

Udstødning/Exhaust

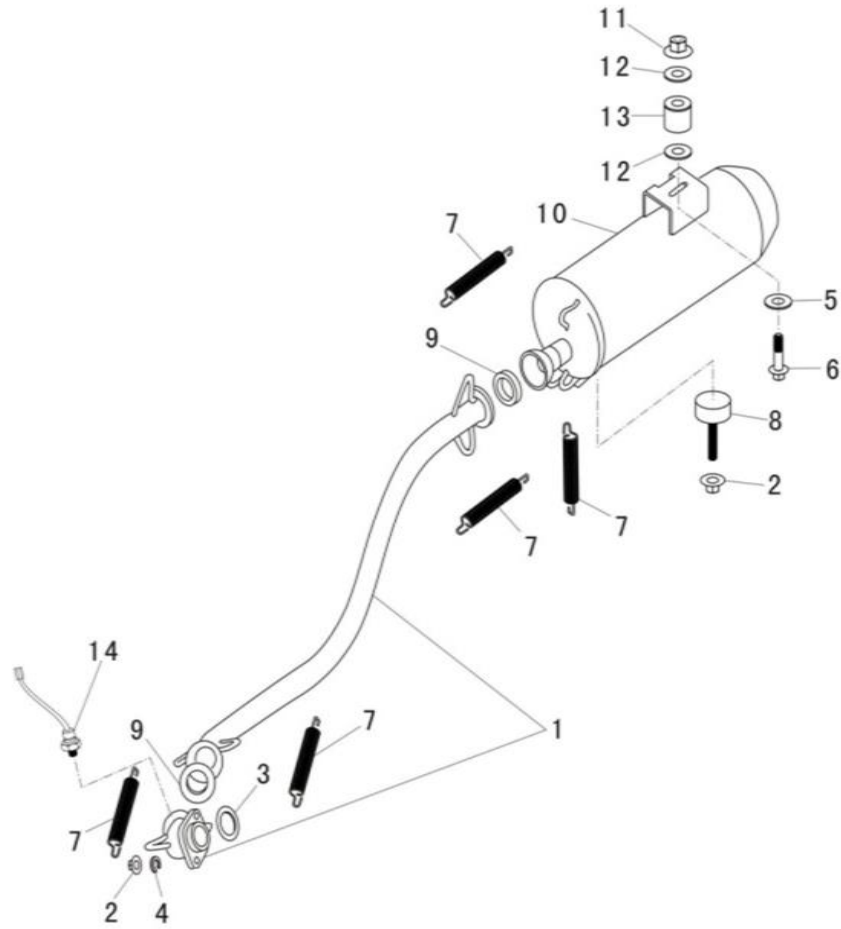


Fig No	PL-nummer	Varenavn	Art name	Oe-ref	Antal/Qty
1	9061398	Tilgangsør T/lambdasonde Efi	EXHAUST PIPE 300Efi	25335	1
2	9050207	Møtrik M8	NUT M8	10099	4
3	9029856	Ustødnings manifolds pakning	EXHAUST PIPE GASKET	23403	1
4	9050202	Planskive M8	WASHER 8	10106	2
5	9050203	Planskive M10	WASHER PLATE 10	10117	1
6	9034641	Bolt flange M10X62X1,25	BOLT FLANGE M10X1.25X62	10120	1
7	9029909	Fjeder	SPRING	23408	5
8	N.A		MUFFLER SUPPORT BOTTOM	25209	1
9	9030776	Pakning konisk	JOUNT	25222	2
10	9030772	Lyddæmper	MUFFLER	25203	1
11	9031005	Møtrik M10X1,25	NUT M10X1.25	10015	1
12	9034618	Skive	WASHER PLATE 16	10117	2
13	9029907	Gummidæmper/ophæng	MUFFLER SUPPORT	23415	1
14	9039685	Lambdasonde	SENSOR	70826	1

Fig 35

Krumtapshus/Crankcase

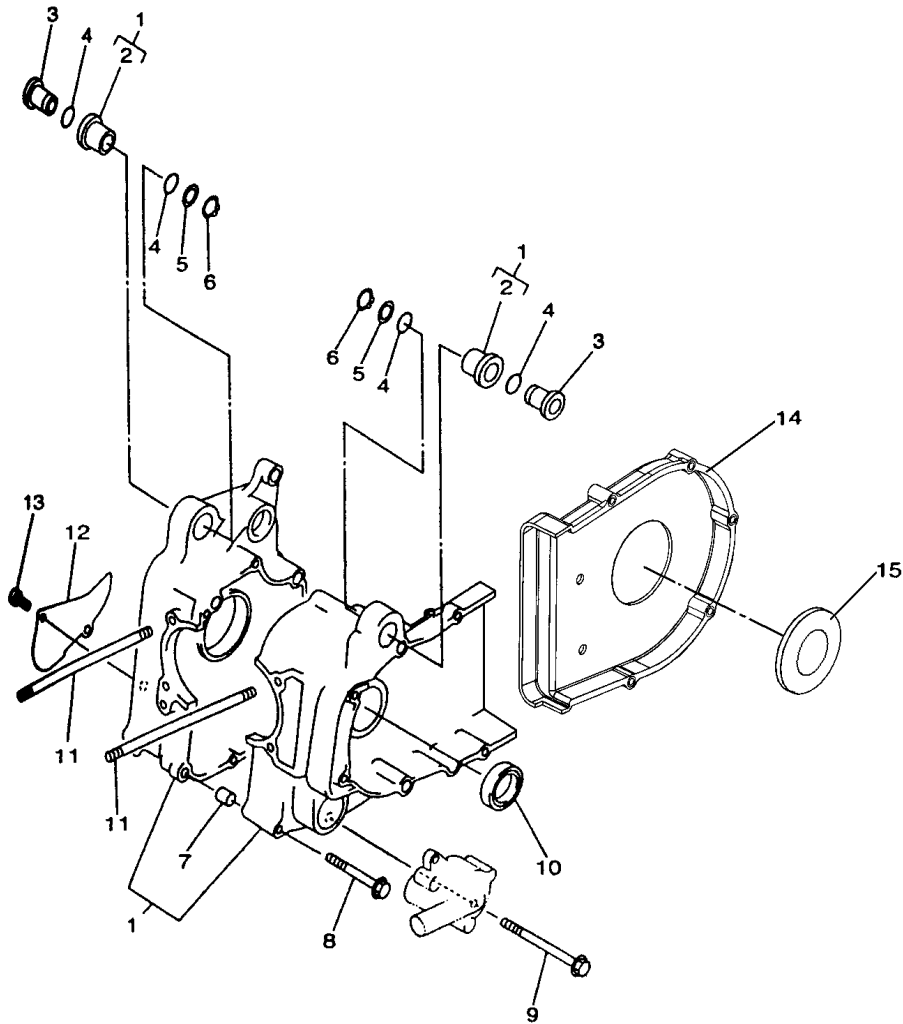


Fig No	PL-nummer	Varenavn	Art name	Oe-ref	Antal/Qty
1	9034853	Krumtapshus komplet	CRANKCASE ASSY	23501	1
2	9029857	Bøsning 28X17X23	HOLDER	23502	2
3	9029858	Bøsning17X10X29	COLLAR	23503	2
4	9029859	O-ring 16X2,5	O-RING	23504	4
5	9034863	Skive	WASHER PLATE 16	23505	2
6	9034864	Låsering	CIRCLIP 16	10121	2
7	9034732	Styretap	DOWEL PIN 10X14	22422	2
8	9034866	Bolt M6X70	FLANGE BOLT M6X70	23508	4
9	9030873	Bolt M6X100	FLANGE BOLT M6X100	23509	5
10	9035871	Pakdåse venstre	OIL SEAL 30X45X5	23510	1
11	9034855	Støttebolt M8X245	STUD BOLT M8X245	23511	4
12	9034856	Dæksel højre side	COVER CRANKCASE RIGHT	23512	1
13	9034793	Bolt M6X14	SOCKET HEAD BOLT M6X14	10036	2
14	9034858	Sidedæksel indvendig højre bag	REAR INSIDE COVER	23514F	1
15	9034859	Tætningsprop	SEALING	23515	1

Fig 36

Sidedæksel H&V/Left &Right Cover

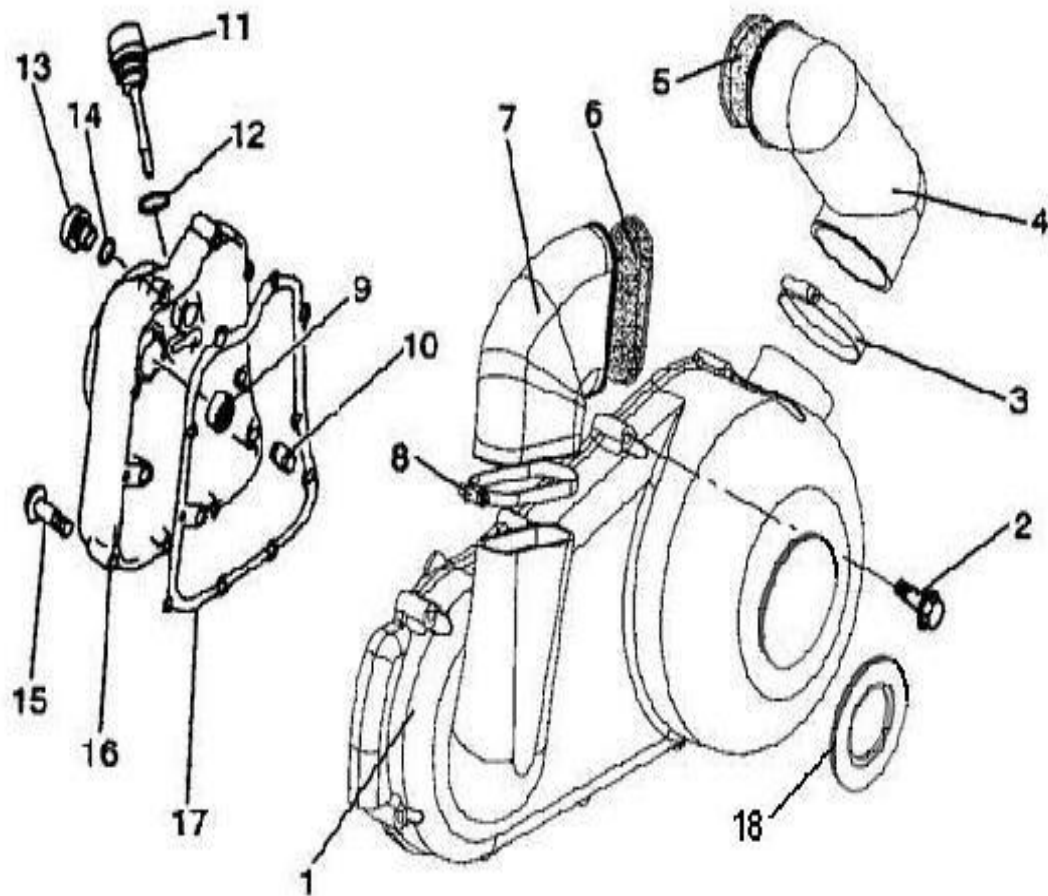


Fig No	PL-nummer	Varenavn	Art name	Oe-ref	Antal/Qty
1	9029611	Sidedæksel	COVER CRANKCASE LEFT	23601a	1
2	9034879	Bolt M6X52	FLANGE BOLT M6X52	23602	5
3	9034880	Spændebånd	HOSE CLAMP B	23603	1
4	9029860	Udluftnings slange	JOINT A	23604	1
5	9029861	Støvfiltter B	AIR STRAINER B	23605	1
6	9029862	Støvfiltter A	AIR STRAINER A	23606	1
7	9029863	Udluftnings slange B	JOINT B	23607	1
8	9034885	Spændebånd A	HOSE CLAMP A	23608	1
9	9029775	Pakdåse 14X27X6	OIL SEAL	23609	1
10	9034732	Styretap 10X14	DOWEL PIN 10X14	22422	4
11	9030114	Olieprop/pind	OIL PLUG	23611	1
12	9029773	O-ring 18X2,65	O-RING 18X2.65	10122	1
13	9034873	Olieprop	OIL PLUG	23613	1
14	9029714	O-ring 14X2,65	O-RING 14X2.65	10123	1
15	9034875	Bolt M6X40	FLANGE BOLT M6X40	23615	15
16	9030693	Sidedæksel "lille"	CAP COVER	23616	1
16	9029586	Sidedæksel "stor generator"	CAP COVER (USE WITH HIGH-POWER GEN	23616A	1
17	9029774	Pakning sidedæksel	CRANKCASE COVER GASKET RIGHT	23617	1
18	9030694	Gummipakning	RUBBER GASKET(WITH HIGH-POWER CLUT	23619	1

Fig 37

Starterdrev/Starter

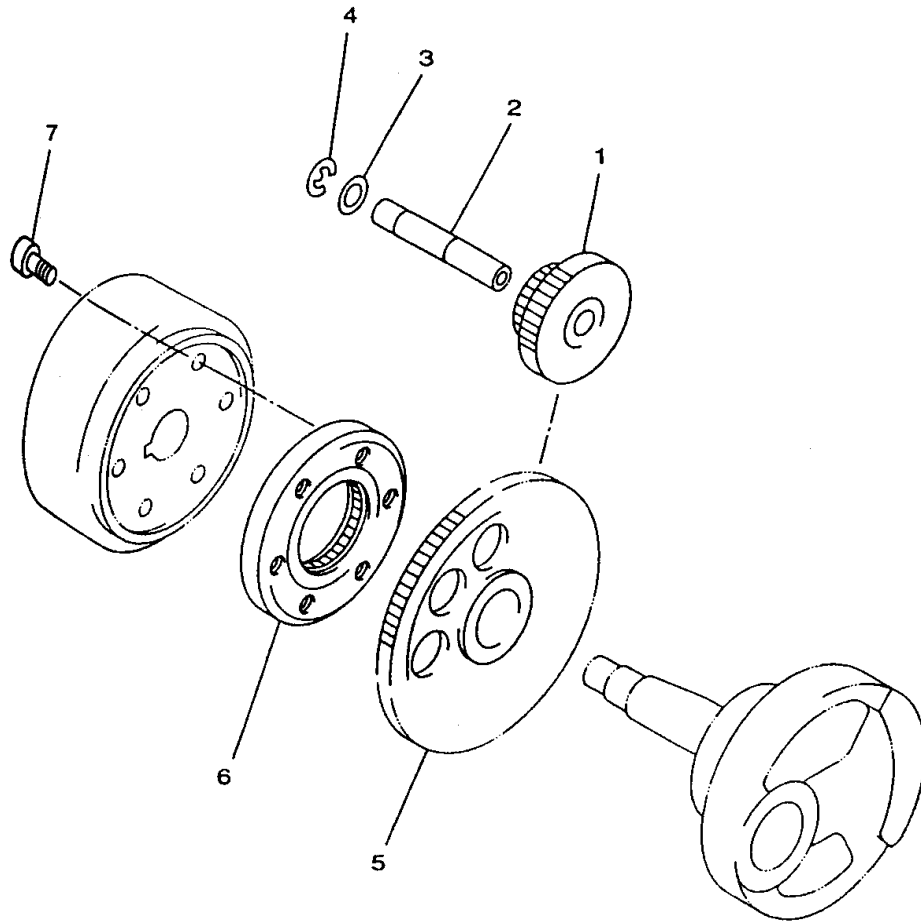


Fig No	PL-nummer	Varenavn	Art name	Oe-ref	Antal/Qty
1	9029613	Starter tandhjul lille	GEAR IDLER	23701	1
2	9040306	Aksel f/mellem aksel	SHAFT	23702	1
3	9034890	Skive	WASHER 12	23703	1
4	9034891	Låsering 12	CIRCLIP 12	10129	1
5	9029614	Starter tandhjul stor	GEAR REDUCTION	23705	1
6	9029615	Starterkobling	STARTER CLUTCH	23706	1
7	9034894	Bolt M8X16	SOCKET HEAD BOLT M8X16	10131	3

Fig 38

Kobling/clutch "new model"

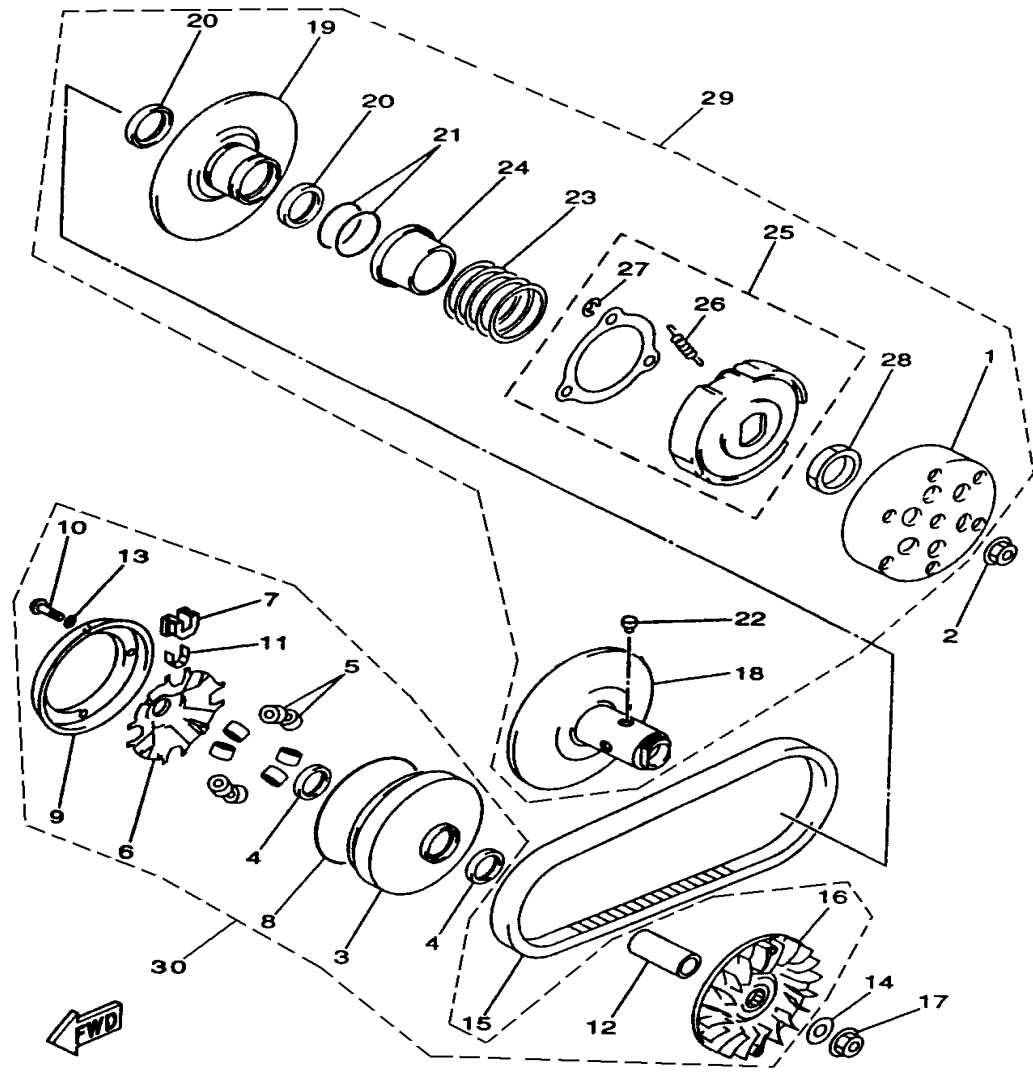


Fig No	PL-nummer	Varenavn	Art name	Oe-ref	Antal/Qty
1	N.A		CLUTCH HOUSING COMP.	25614	1
2	9029777	Møtrik M14X1	NUT	23802	1
3	N.A		PRIMARY SLIDING SHEAVE COMP	27460	1
4	9030052	Pakdåse 28X36X4	OIL SEAL	23804	2
5	N.A		WEIGHT	27461	8
6	N.A		CAM	25615	1
7	N.A		SLIDER	27463	4
8	N.A		O-RING 115X2.5	27464	1
9	N.A		STOPPER	27465	1
10	9034904	Skrue M4X12	PAN HEAD SCREW M4X12	10132	4
11	N.A		SPACER 1	27466	4
12	N.A		COLLAR	25616	1
13	9034907	Skive	WASHER PLATE 4	23813	4
14	N.A		WASHER PLATE	25617	1
15	9030051	Variator rem	V-BELT (LOGO "MITSUBOSHI")	23815	1
15	N.A		V-BELT (LOGO "GATES") (USED FOR EX)	23817	1
16	9034912	Remskive del "fast"	SHEAVE PRIMARY FIXED	25618	1
17	9029777	Møtrik M14X1	NUT	23802	1
18	N.A		SECONDARY FIXED SHEAVE COMP.INCLUDE	27469	1
				/	
	N.A			25213	
				/	
				/	
19	N.A		SECONDARY SLIDING SHEAVE	27470	1
20	9030695	Pakdåse 47X41X4	OIL SEAL47X41X4	23820	2
21	N.A		O-RING 46.2X2	27471	2
22	N.A		PIN GUIDE	27472	4
23	N.A		COMPRESSION SPRING	27473	1
24	N.A		SEAT SECONDARY SPRING	27474	1
25	N.A		CLUTCH CARRIER ASSY	25619	1
26	N.A		CLUTCH WEIGHT SPRING 1	25643	3

27	9034922	Låsering	CIRCLIP 8	10133	3
28	9034923	Møtrik M36X1,5	NUT M36X1.5	23928	1
29	9062314	Slyngkobling	DRIVEN ASSY COMPLETE	25620	1
30	9062315	Variator	DRIVE ASSY COMPLETE	25621	1

Fortsættes..

Fig 39

Støttebæring kobling/High-Power clutch stand assy

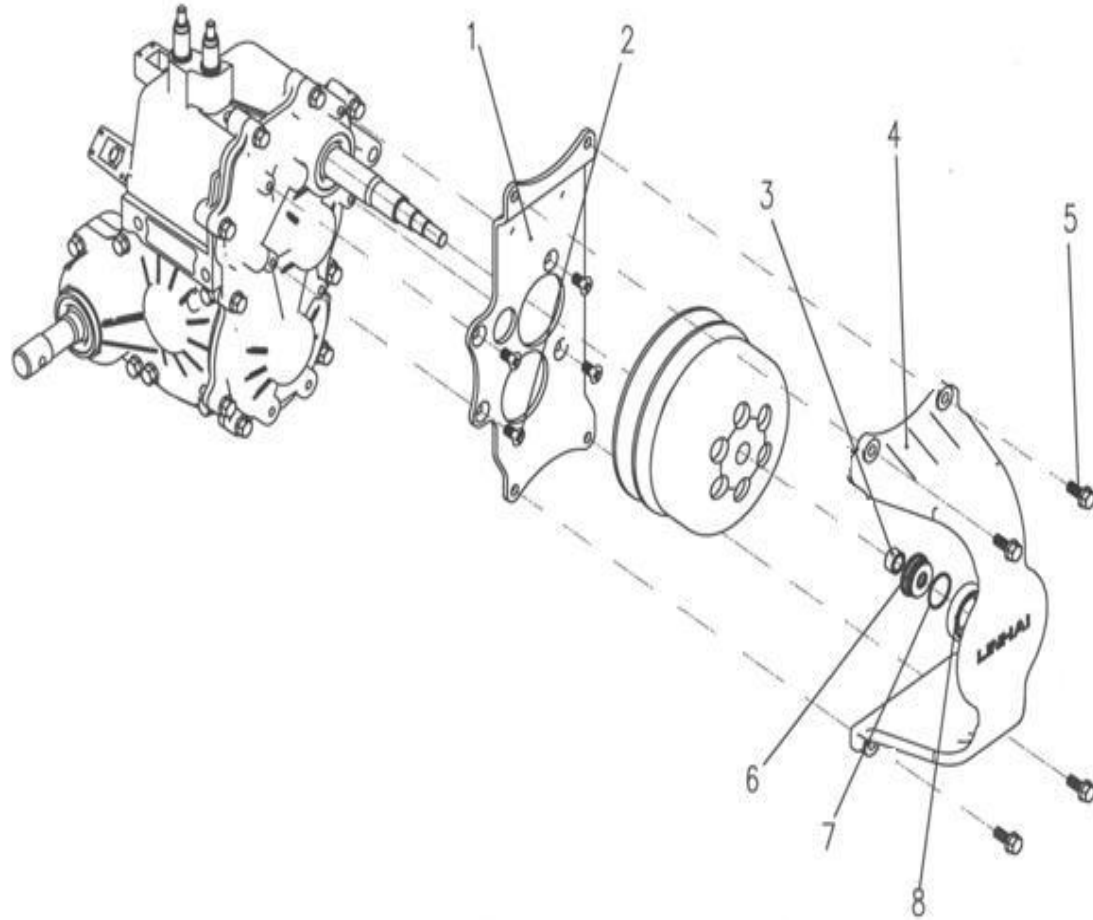


Fig No	PL-nummer	Varenavn	Art name	Oe-ref	Antal/Qty
1	9029587	Beslag 1	BRACKET 1	23941	1
2	9029864	Skrue M8X12	SWCREW M8X12	10424	4
3	9029779	Mellemlæg "lille"	SMALL SPACER	23942	1
4	9029588	Beslag 2	BRACKET 2	23943	1
5	9033941	Bolt M8X28	BOLT M8X28	10060	4
6	9030054	Mellemlæg	SPACER	23944	1
7	9029780	O-ring 26,5X1,8	O-RING 26.5X1.8	10321	1
8	9030055	Støtteleje f/CVT aksel	BEARING 6906Z	10426	1

Fig 40

Generator&svinghjul/Generator

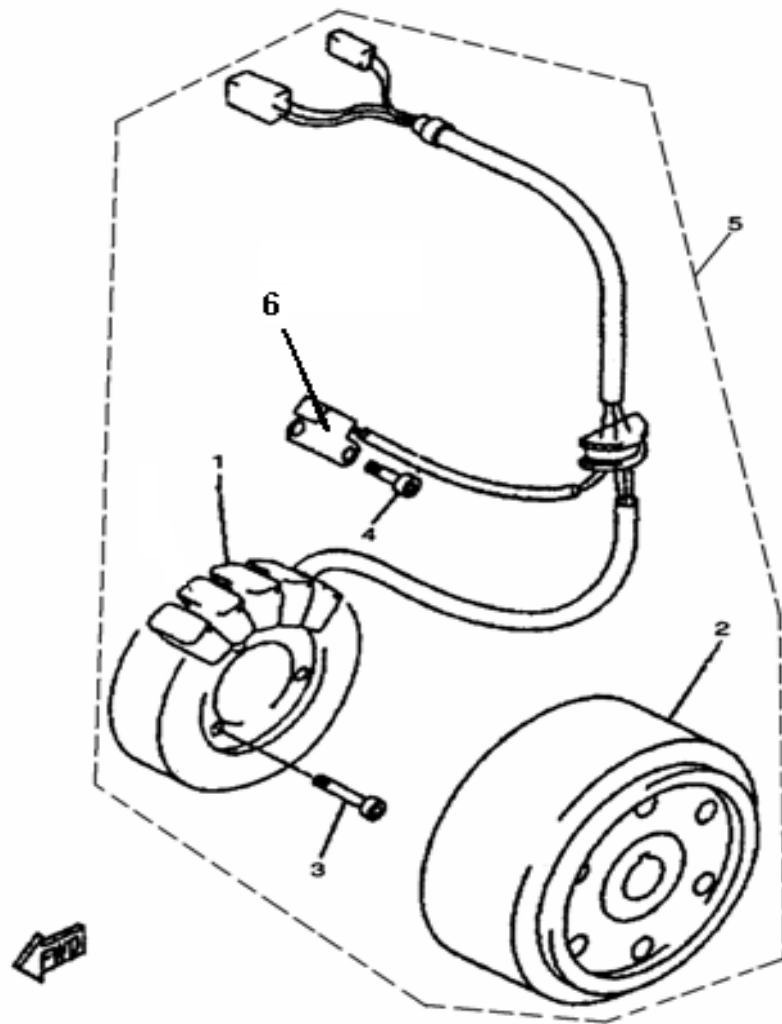


Fig No	PL-nummer	Varenavn	Art name	Oe-ref	Antal/Qty
1	9060953	Stator EFI 102mm	STATOR ASSY	27912	1
1	9064549	Stator EFI 104mm "LJ" Grønne viklinger	STATOR ASSY (MARKED "L J"	27870	1
2	9061228	Svinghjul EFI 104mm "LJ"	ROTOR ASSY (GREEN COLOR) "L J"	27871	1
3	9040315	Bolt M6X25	SOCKET HEAD BOLT M6X25	10085	3
4	9034937	Bolt	SOCKET HEAD BOLT M5X12	10135	2
5	N.A	Generator komplet m/svinghjul	GENERATOR ASSY (WATERPROOF PLUG U	27243a	1
6	9029781	Taktgiver	PICK UP COIL	24006	1

Fig 41

Starter/Starting motor

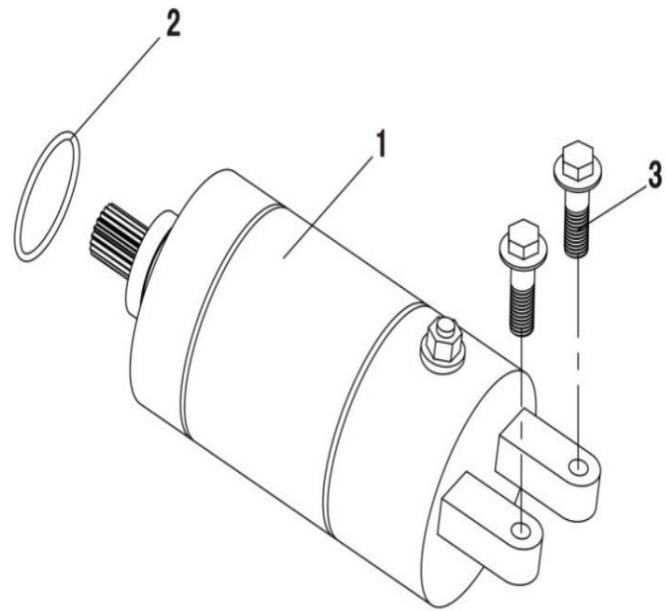


Fig No	PL-nummer	Varenavn	Art name	Oe-ref	Antal/Qty
1	9030086	Starter 12V	STARTING MOTOR ASSY	24101	1
2	9034946	O-ring 24,5X3	O-RING 24.5X3	24106	1
3	9034947	Bolt	FLANGE BOLT M6X25	24107	2

Fig 42

Motorophæng/Engine

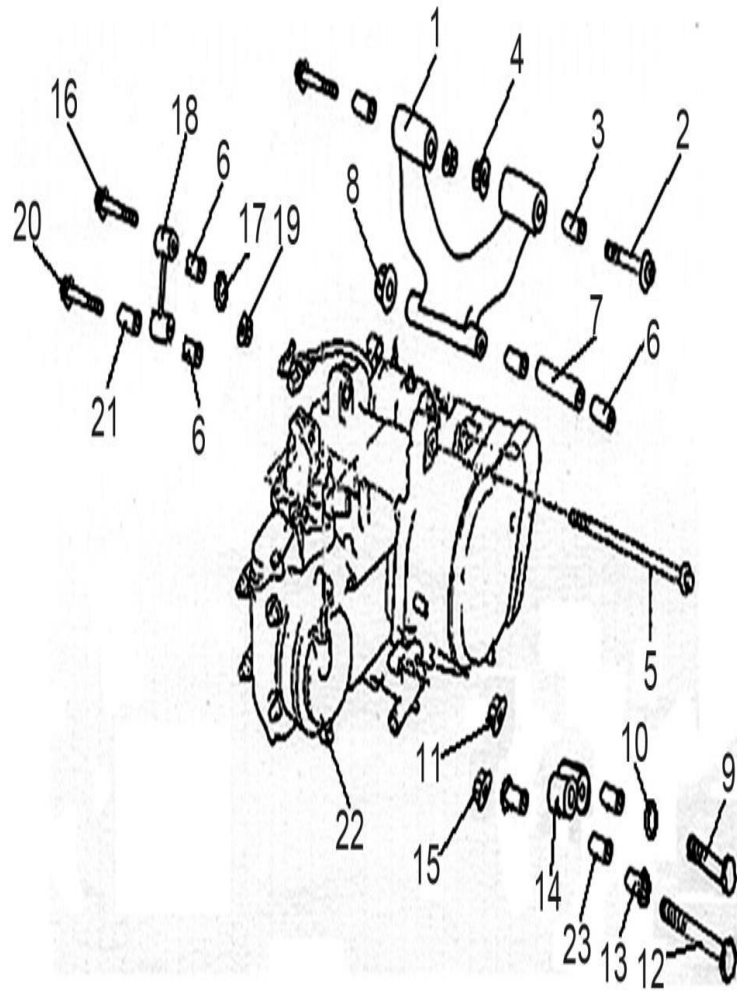


Fig No	PL-nummer	Varenavn	Art name	Oe-ref	Antal/Qty
1	9029997	Motorbeslag forrest	FRONT ENGINE MOUNT BRACKET	24201	1
2	9034164	Bolt f/motorbeslag	ENGINE BRACKET BOLT	24202	2
3	9029786	Bøsning f/forreste motorbeslag	BUSHING ENGING BRACKET1	24203	2
4	9033896	Møtrik M12X1,25	NUT M12X1.25	10136	2
5	9034171	Monteringsbolt	ENGINE MOUNTING BOLT	24205	1
6	9029865	Bøsning forrest	BUSHING ENGING BRACKET2	24206	4
7	9029787	Bøsning	SPACER ENGINE BRACKET	24207	1
8	9031005	Møtrik M10X1,25	NUT M10X1.25	10015	1
9	9034175	Bolt M10X55X1,25	BOLT M10X1.25X55	10016	1
10	9034154	Skive	WASHER	24210	1
11	9031005	Møtrik M10X1,25	NUT M10X1.25	10015	1
12	9034156	Bolt M8X120	BOLT M8X120	10137	1
13	9029782	Mellemlæg venstre	LEFT SPACER	24213	2
14	9029783	Motorbeslag venstre	STAY ENGINE LEFT	24214	1
15	9050207	Møtrik M8	NUT M8	10079	1
16	9034160	Bolt M10X68X1,25	BOLT M10X1.25X68	10138	1
17	9034161	Skive	WASHER	24217	1
18	9029784	Motorbeslag højre	STAY ENGINE RIGHT	24218	1
19	9031005	Møtrik M10X1,25	NUT M10X1.25	10015	1
20	9034165	Bolt M8X65	BOLT M8X65	10139	1
21	9029785	Mellemlæg højre	RIGHT SPACER	24221	2
22	9029589	Motor 300cc komplet	ENGINE ASSY300	24222A	1
23	9030057	Bøsning	BUSHING	24223	2

Fig 43

Diffrentiale forrest/Front gear-box (4WD)

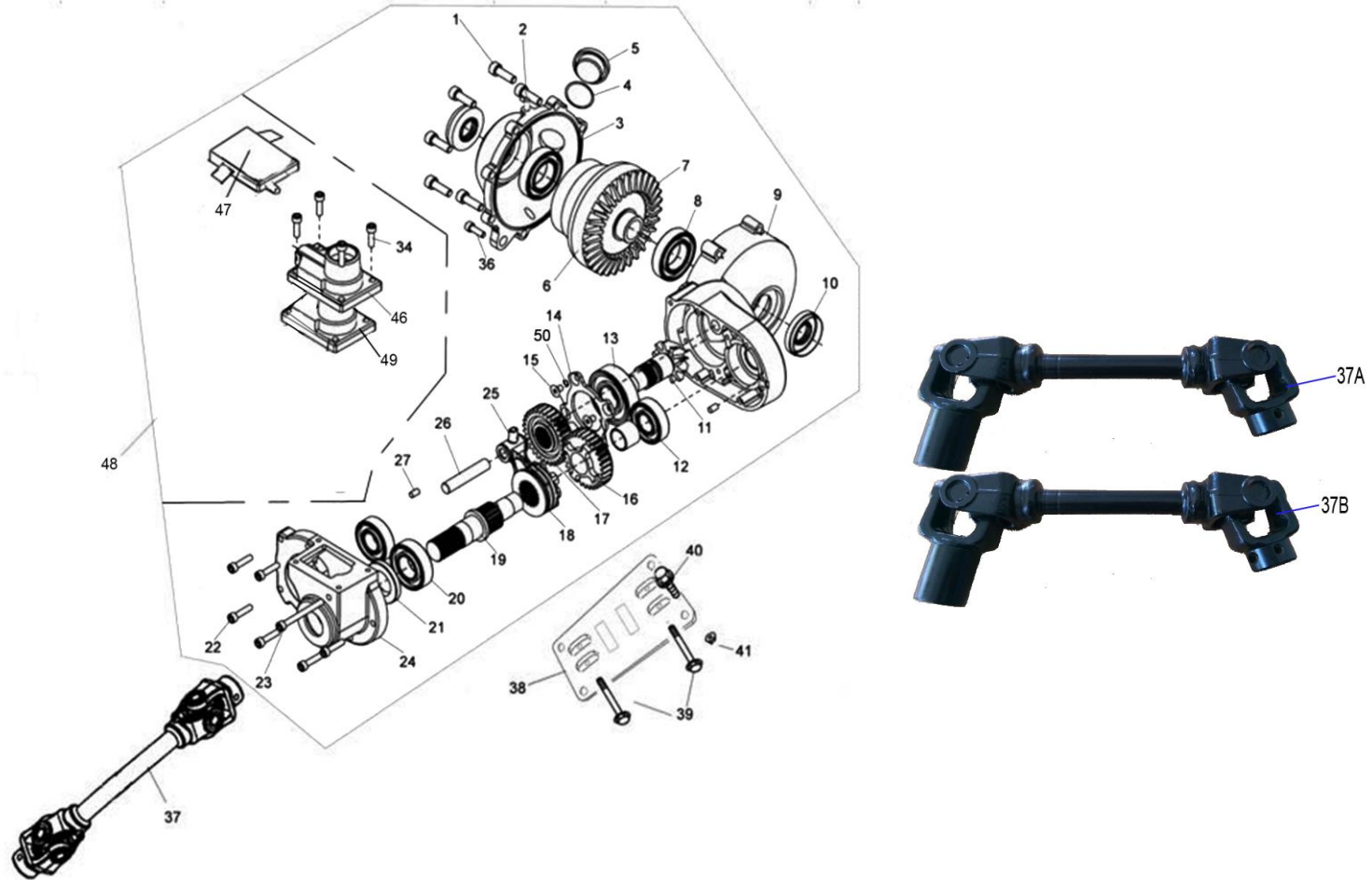


Fig No	PL-nummer	Varenavn	Art name	Oe-ref	Antal/Qty
1	9033887	Bolt	BOLT M8X25	10059	7
2	9034516	Udluftningsventil	VENT FITTING	21112	1
3	9034528	Sidedæksel v	LEFT COVER	24303	1
4	9029773	O-ring 18X2,65	O-RING 18X2.65	10122	1
5	9034543	Påfyldningsprop	DIFF FILLERPLUG	24305	1
6	N.A		FOC BODY	24306	1
7	9034547	Kronhjul	BEVEL CROWNWHEEL	24307	1
8	9036029	Leje 6006	BEAR 6006	10202	2
9	9034551	Differentialehus	DIFFCASE RHS	24309	1
10	9030087	Pakdåse SDD722X48X11	SEAL SDD722X48X11	24310	2
11	9034506	Spidshjuls aksel	CONICAL WITH HELICAL GEARING	24311	1
12	9038575	Leje 6204	BEAR 6204	10062	2
13	9033983	Leje 6305St	BEAR 6305ST	10074	1
14	9034509	Lejeholder	CASEBEAR RETAINER	24314	1
15	9034510	Skrue M6X12	SCREW M6X12	10287	4
16	9034511	Tandhjul	DIFF GEAR	24316	1
17	9034512	Tandhjul	DIFF GEAR DRIVEN	24317	1
18	9034513	Skifteklod/dog ring	SPLINED DOG	24318	1
19	9034514	Indgangsaksel	DIFF INPUTSHAFT A	24319	1
20	9033978	Leje 6205	BEAR 6205	10267	1
21	9030088	Pakdåse TC25X47X7	SEAL TC25X47X7	24321	1
22	9050222	Bolt M6X30	BOLE M6X30	10182	6
23	9050226	Bolt M6X70	BOLE M6X70	10160	1
24	9034521	Bagdæksel	REAR COVER	24324	1
25	9034522	Skiftegaffel	DIFF SELECTOR FORK	24325	1
26	9034523	Aksel f/skiftegaffel	SELECTOR RAIL	24326	1
27	9034524	Tap/styrepind	PIN	24327	2
28	9034525	Skifteaksel	SELECTOR SHAFT	24328	1
29	9034526	Dæksel skifteaksel	SELECTOR COVER	24429	1
30	9034529	Kugle f/gearlås	STEEL BALL 8	10203	1
31	9034530	Fjeder f/gearlås	SPRING	24431	1
32	9034531	Foring f/låsekugle	INDENT BALL INSERT	24433	1

33	N.A		WASHER	83462	1
34	9034190	Bolt M6X16	BOLT M6X16	10183	4
35	9030089	Pakdåse TC12X28X7	SEAL TC12X28X7	24435	1
36	9050230	Bolt M8X16	BOLT M8X16	10168	1
37A	N.A		FRONT PROPSHAFT ASSY (ONE HOLE MOD	24437	1
37B	9029998	Kardanaksel mellem	FRONT PROPSHAFT ASSY (TWO HOLE MOD	24437a	1
38	N.A		FRONT GEAR-BOX BACKSTOP	22325f	1
39	N.A		BOLT M10X1.25X43	10208	2
40	N.A		BOLT M10X1.25X20	10163	4
41	9050208	Møtrik M8	NUT M10	10209	6
42	9034536	Bolt	BOLT M8X1X16	10355	1
43	9034537	Møtrik M8X1	NUT M8X1	10356	1
44	9030090	Kontakt	4WD AND 2WD SWITCH	24444	1
45	N.A		FRONT GEAR-BOX(MECHANICAL SHIFT)	24445	1
46	N.A		2WD/4WD SHIFT MOTOR(USED WITH 2WD	24446c	1
46	N.A		2WD/4WD SHIFT MOTOR(USED WITH 2WD	24446	1
47	N.A		2WD/4WD SHIFT ELECTRONIC CONTROLER	24447c	1
47	N.A		2WD/4WD SHIFT ELECTRONIC CONTROLER	24447	1
48	9029590	Forrest diffrentiale elektrisk skift 2WD/4WD	FRONT GEAR-BOX (ELECTRIC SHIFT)	24445a	1
49	N.A		GASKET	26005	1
50	9033982	Låsering	CIRCLIP 25	21453	1

Fortsættes

Fig 44

Drivaksel forrest/Front drive axel (4WD)

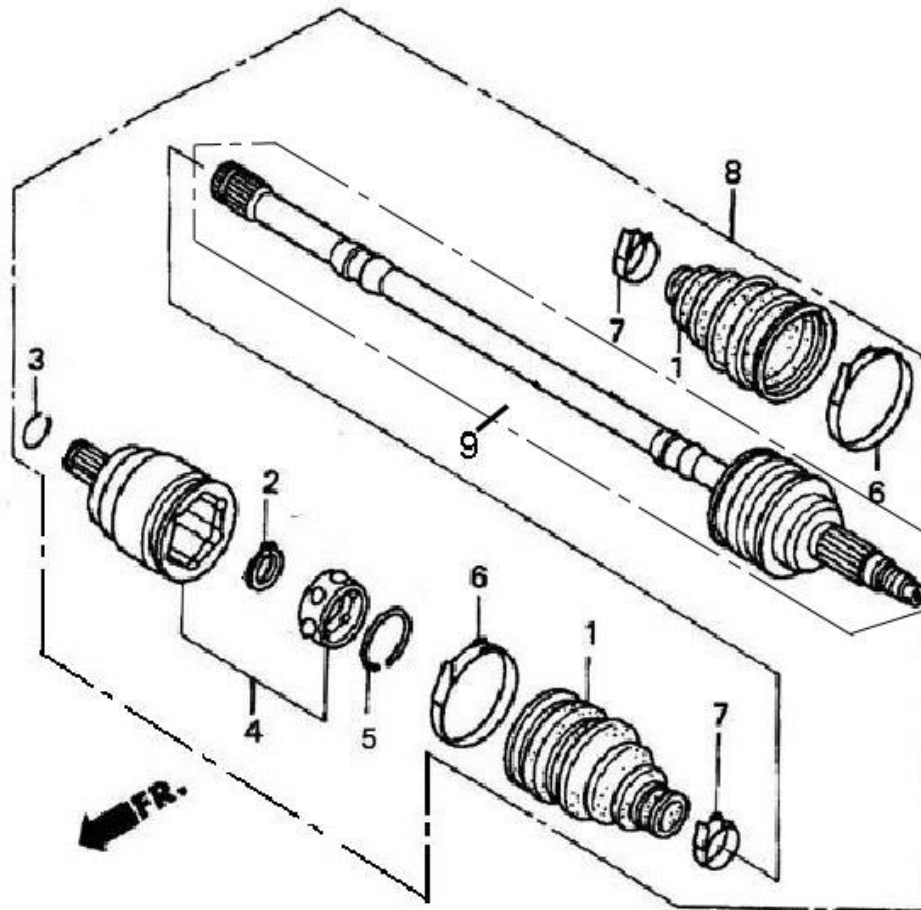


Fig No	PL-nummer	Varenavn	Art name	Oe-ref	Antal/Qty
1	9029788	Manchet yderst Ø70/22 L85	OUTER BOARD BOOT	24403	4
2	9033806	Låsering	CIRCLIP 20	24407	2
3	9039519	Låsering f/kardan	ATOPPER RING φ17.2	70084	2
4	9030000	Drivaksel led inderst	JOUNT,INBOARD(CONTAIN INBOARD AXLE	25244	2
				25535	2
				25534	2
				25533	12
5	9033809	Fjederlås	STOPPER RING φ65.4	24409	2
6	9030058	Spændebånd B	BOOT BAND B	24404	4
7	9030059	Spændebånd A	BOOT BAND A	24402	4
8	N.A		FRONT DRIVE AXLE	25274	2
9	N.A		DRIVE AXLE/OUTER CV JOINT ASSEMBLY	24401	2
				24401B	2
					12
					2
					2
					2

Fig 45

Bagtøj/differentiale/FOC body (4WD)

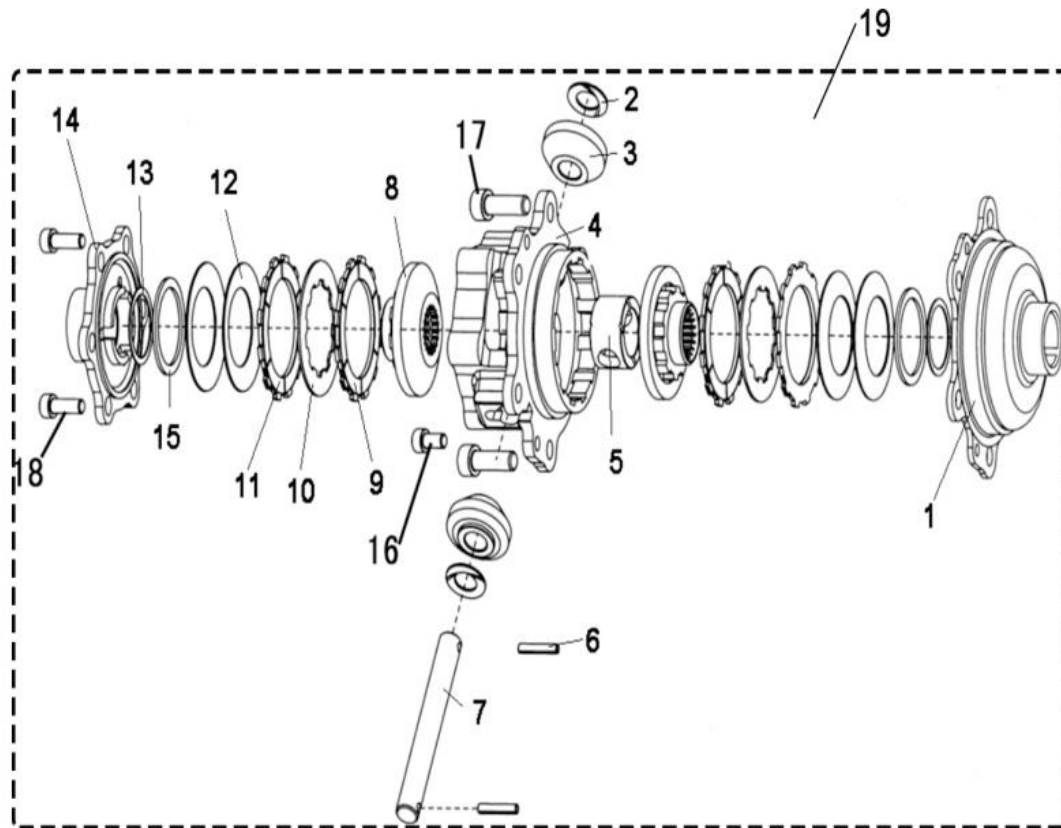


Fig No	PL-nummer	Varenavn	Art name	Oe-ref	Antal/Qty
1	9029591	Diffrentiale hus	LARGER COVER	24701	1
2	9029593	Skive	WASHER	24702	2
3	9029594	Planet gearhjul	PINION	24703	2
4	9034496	Diffrentiale hus	HOUSING	24704	1
5	9029595	Planet gear bøsning	CENTER SPACER	24705	1
6	9034498	Låsestift/pin	ROLL PIN	10003	2
7	9034499	Planetgearhjuls aksel	CENTER PIN	24707	2
8	9029596	Diff plade/solhjul	BEVEL GEAR	24708	2
9	9029796	Koblingsplade yderst dobbelt belagt	CLUTCH PLATE OUTER DOUBLE	24709	2
10	9029791	Koblingsplade indvendig	CLITCH PLATE INNER	24710	2
11	9029792	Koblingsplade ydrest enkelt belagt	CLUTCH PLATE OUTER SINGLE	24711	2
12	9029793	fjederkoblings skive	DISHED SPRING	24712	4
13	9029794	Skive	WASHER	24713	2
14	9029592	Dæksel lille	SMALL COVER	24714	1
15	9029795	Fjederskål	SPING SEAT	24715	2
16	9034491	skrue M6X15	SCREW M6X15	10083	2
17	9034492	Bolt	SCREW M8X16	10131	6
18	9034493	Bolt	BOLT M8X15	24718	6
19	9034545	Diff	FOC BODY (FOR 4WD)	24306	1