

SV

P-Lindberg

Reservdelsöversikt

Art. 9063783

Röjsåg 52 cc



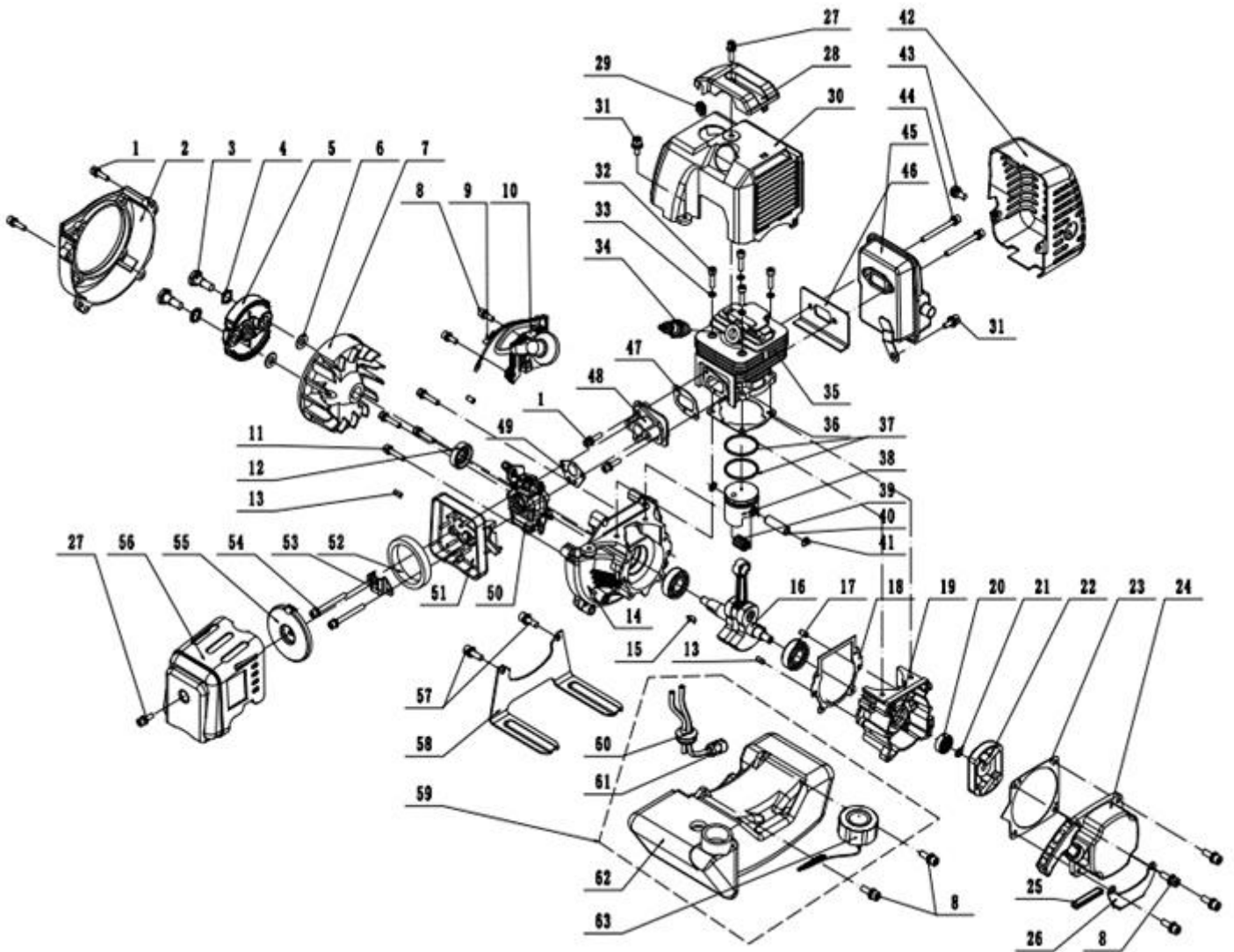
Fig 1 Motor

P. Lindberg

Myrangatan 4

Tel. 010-209 70 50 745 37 Enköping

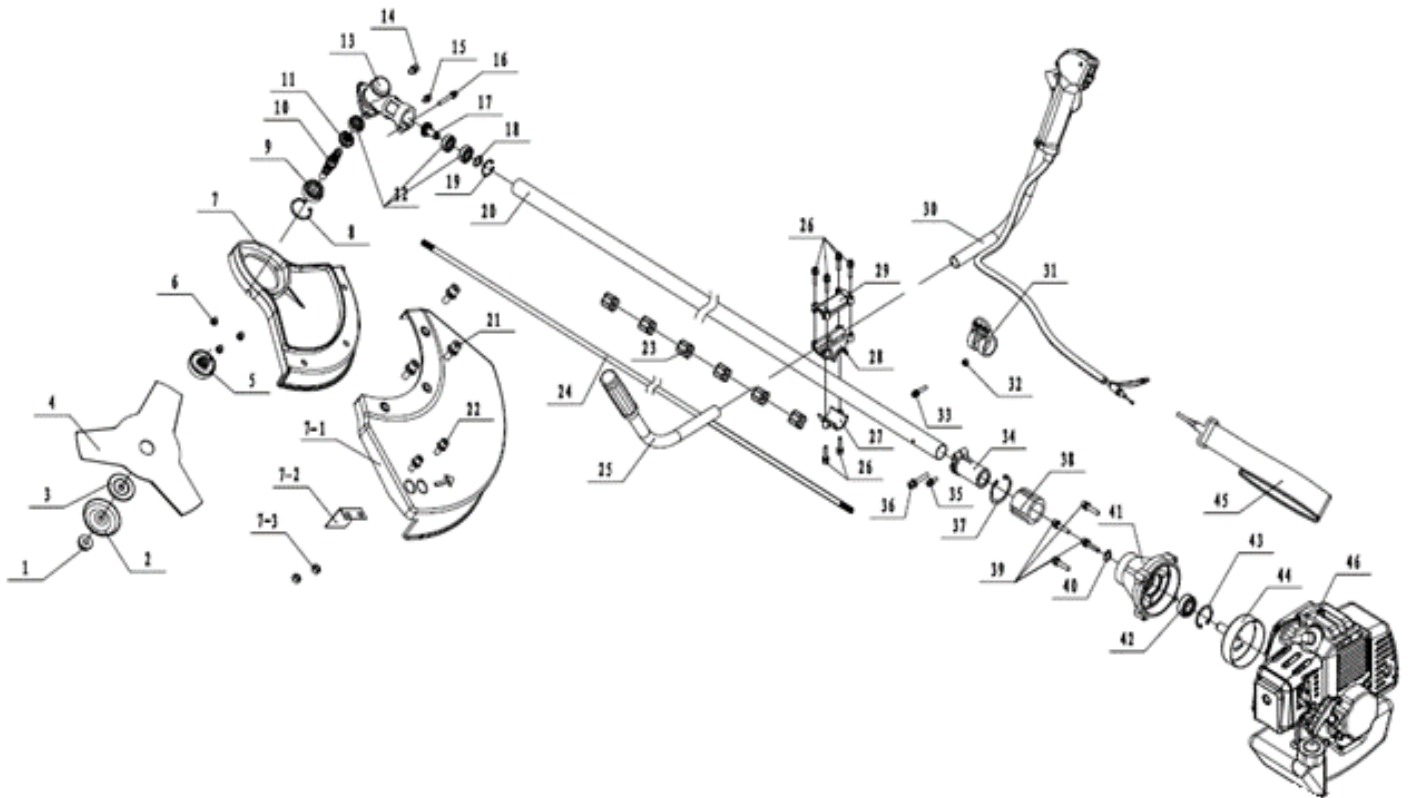
e-mail: order@p-lindberg.se



| Pos. | Art. | Varunamn | Item name | Antal/ Qty |
|------|---------|-----------------------------|-------------------|---------------|
| 1 | N/A | Bult M5x25 | Bolt M5x25 | 4 |
| 2 | N/A | Kopplingshus "alu" | Cover fan | 1 |
| 3 | N/A | Bult för slungkoppling M8 | Screw m8 | 2 |
| 4 | N/A | Bricka | Washer | 2 |
| 5 | N/A | Slungkoppling | Shoe clutch | 1 |
| 6 | N/A | Bricka | Washer | 2 |
| 7 | N/A | Svånghjul | Rotor | 1 |
| 8 | N/A | Bult M5x20 | Bolt M5X20 | 9 |
| 9 | N/A | Tändning | Cord comp. | 1 |
| 10 | 9043261 | Tändspole | Coil assy | 1 |
| 11 | N/A | Bult M5x35 | Bolt M5x35 | 4 |
| 12 | N/A | Packning | Oil seal | 1 |
| 13 | N/A | Stift | Pin | 4 |
| 14 | N/A | Vevhushalva | Crankcase comp. | 1 |
| 15 | N/A | Kil | Key | 1 |
| 16 | N/A | Vevhus | Crankcase | 1 |
| 17 | N/A | Lager | Bearing | 2 |
| 18 | N/A | Packning för vevhus | Gasket case | 1 |
| 19 | N/A | Vevhus komplett | Crankcase comp. | 1 |
| 20 | N/A | Packning | Oil seal | 1 |
| 21 | N/A | Bricka | Washer | 1 |
| 22 | 9043262 | Medbringarskål | Pulley | 1 |
| 23 | N/A | Mellanplatta | Washer | 1 |
| 24 | 9043263 | Rekylstart | Recoil assy | 1 |
| 25 | N/A | Gummi distanser | Rubber | 1 |
| 26 | N/A | Hållplåt för bensintank | Plate | 1 |
| 27 | 9051169 | Skruv M5x16 | Bolt M5x16 | 1 |
| 28 | N/A | Topplöck | Top cover | 1 |
| 29 | N/A | Gummibussning | Rubber | 1 |
| 30 | N/A | Skydd | Cover cylinder | 1 |
| 31 | N/A | Bult M5x12 | Bolt M5x12 | 2 |
| 32 | N/A | Bult M5x20 | Bolt M5x20 | 4 |
| 33 | N/A | Bricka M5 | Washer M5 | 4 |
| 34 | 9042472 | Tändstift | Spark plug | 1 |
| 35 | 9051156 | Cylinder 43cc | Cylinder | 1 |
| 36 | 9051158 | Cylinderpackning | Gasket cylinder | 1 |
| 37 | 9051161 | Kolvring 43cc | Piston ring 43cc | 2 |
| 38 | 9051159 | Kolvringset 43cc | Piston 43cc | 1 |
| 39 | N/A | Nållager | Needle bearing | 1 |
| 40 | N/A | Pin | Piston pin | 1 |
| 41 | N/A | Låsring för krysspinne | Snap ring | 2 |
| 42 | N/A | Värmeskydd över ljuddämpare | Cover muffler | 1 |
| 43 | N/A | Bult M5x12 | Bolt M5x12 | 1 |
| 44 | N/A | Bult M5x55 | Bolt M5x55 | 2 |
| 45 | N/A | Ljuddämpare | Muffler | 1 |
| 46 | 9051163 | Avgaspackning | Gasket muffler | 1 |
| 47 | 9043266 | Packning - förgasare | Gasket insulator | 1 |
| 48 | 9051165 | Insug | Insulator | 1 |
| 49 | 9043265 | Insug - packning | Gasket carburetor | 1 |
| 50 | 9043267 | Förgasare | Carburetor | 1 |
| 50-1 | 9042058 | Primerboll | Primer | 1 |

| Pos. | Art. | Varunamn | Item name | Antal/ Qty |
|------|---------|----------------------|------------------|---------------|
| 51 | 9051167 | Bakplatta luftfilter | Body assy | 1 |
| 52 | 9016159 | Luftfilter element | Element | 1 |
| 53 | N/A | Platta | Plate | 1 |
| 54 | N/A | Bult M5x55 | Bolt M5x55 | 2 |
| 55 | N/A | Skydd | Cover | 1 |
| 56 | 9051168 | Luftfilterhus | Cover air filter | 1 |
| 57 | N/A | Bult M5x30 | Bolt M5x30 | 2 |
| 58 | 9043268 | Tankbeslag | Branket tank | 1 |
| 59 | N/A | Bensintank komplet | Oil tank assy | 1 |
| 60 | 9043240 | Bensin slangset | Fuel pipe assy | 1 |
| 61 | 9043239 | Bensinfilter in-tank | Fuel pump | 1 |
| 62 | 9043269 | Bensintank | Oil tank | 1 |
| 63 | 9041637 | Tanklock | Oil tank cap | 1 |

Fig. 2 Stångdel



| Pos. | Art. | Varunamn | Item name | Antal/ Qty |
|----------|---------|-------------------------|--------------------|---------------|
| 1 | 9043247 | Mutter vänstergängad | Nut | 1 |
| 2 | 9043248 | Skyddsskål | Cover f/nut | 1 |
| 3 & 5 | 9043249 | Bricka för klinga | Holder kit | 1 |
| 4 | N/A | Klinga | Blade | 1 |
| 5 | 9043249 | Bricka för klinga | Holder kit | 1 |
| 6 | N/A | Skruv för skärm | Screw | 3 |
| 7 | 9043253 | Skyddsskärm "alu" | Guard 1 | 1 |
| 7.1 | 9043252 | Skyddsskärm "plast" | Guard 2 | 1 |
| 7.2 | N/A | Kniv för trimmertråd | Small blade/ knife | 1 |
| 7.3 | N/A | Mutter M5 | Nut M5 | 2 |
| 8 | N/A | Låsring | Snap ring | 1 |
| 9 | N/A | Lager | Bearing | 1 |
| 10 | N/A | Axel | Shaft | 1 |
| 11 | N/A | Växelkul "kronhjul" | Gear | 1 |
| 12 | N/A | Lager | Bearing | 1 |
| 13 | 9043250 | Vinkelväxel komplett | Gearcase comp. | 1 |
| 14 | 9054798 | Bult M6x12 | Bolt M6x12 | 1 |
| 15 | 9050007 | Bult M5x12 | Bolt M5x12 | 1 |
| 16 | N/A | Bult M5x25 | Bolt M5x25 | 3 |
| 17 | N/A | Växelhjul "spetshjul" | Pinion | 1 |
| 18 | N/A | Bricka | Ring | 1 |
| 19 | N/A | Låsring | Snapring | 1 |
| 20 | 9043251 | Stång komplett | Pipe comp. | 1 |
| 21 | 9054798 | Bult M6x16 | Bolt M6x16 | 3 |
| 22 | N/A | Bult M5x16 | Bolt M5x16 | 2 |
| 23 | N/A | Bussning för inneraxel | Oil bearing | 6 |
| 24 | N/A | Inneraxel | Shaft | 1 |
| 25 | 9043636 | Handtag | Handle comp. | 1 |
| 26 | N/A | Bult M5x25 | Bolt M5x25 | 6 |
| 27-28-29 | 9043254 | Beslag vid styre Ø26 mm | Bracket | 1 |
| 30 | 9043255 | Gashandtag - komplett | Grip assy | 1 |
| 31 | 9043256 | Lyftbeslag för sele | Hanger comp. | 1 |
| 32 | N/A | Mutter M5 | Nut M5 | 1 |
| 33 | N/A | Bult M5x20 | Bolt torx | 1 |
| 34 | 9043257 | Fäste vid motor | Connector | 1 |
| 35 | 9050007 | Bult M5x12 | Bolt M5x12 | 1 |
| 36 | 9054799 | Bult M6x25 | Bolt M6x25 | 1 |
| 37 | N/A | Låsring | Snapring | 1 |
| 38 | 9043258 | Gummibussning vid motor | Rubber | 1 |
| 39 | 9041625 | Bult M6x30 | Bolt M6x30 | 4 |
| 40 | N/A | Bricka | Ring | 1 |
| 41 | N/A | Kopplingshus | Housing | 1 |
| 42 | N/A | Lager | Bearing | 1 |
| 43 | N/A | Låsring | Snapring | 1 |
| 44 | 9043259 | Kopplingskål | Drum | 1 |
| 45 | 9043260 | Bärsele H-model | Strap assy | 1 |
| 46 | N/A | Motor komplett | Engine | 1 |